



US00D900102S

(12) **United States Design Patent** (10) **Patent No.:** **US D900,102 S**
Oberpriller (45) **Date of Patent:** **** Oct. 27, 2020**

(54) **ELECTRONIC DEVICE**

(56) **References Cited**

(71) Applicant: **Hand Held Products, Inc.**, Fort Mill, SC (US)

U.S. PATENT DOCUMENTS

(72) Inventor: **Mark Lee Oberpriller**, Atlanta, GA (US)

D15,984 S 3/1885 Bunker
855,016 A 5/1907 Orthwein
(Continued)

(73) Assignee: **HAND HELD PRODUCTS, INC.**, Fort Mill, SC (US)

FOREIGN PATENT DOCUMENTS

(**) Term: **15 Years**

CN 102641023 A 8/2012
CN 303119529 S 3/2015
(Continued)

(21) Appl. No.: **29/707,442**

OTHER PUBLICATIONS

(22) Filed: **Sep. 27, 2019**

International Search Report and Written Opinion for related application No. PCT/CN2017/082716, dated Jan. 26, 2018, 11 pages.
(Continued)

Related U.S. Application Data

Primary Examiner — Susan Moon Lee

(63) Continuation of application No. 29/602,189, filed on Apr. 28, 2017, now Pat. No. Des. 865,773.

(74) *Attorney, Agent, or Firm* — Alston & Bird LLP

(51) **LOC (12) Cl.** **14-02**

(57) **CLAIM**

(52) **U.S. Cl.**

The ornamental design for an electronic device, as shown in the accompanying drawings and described above.

USPC **D14/427**

DESCRIPTION

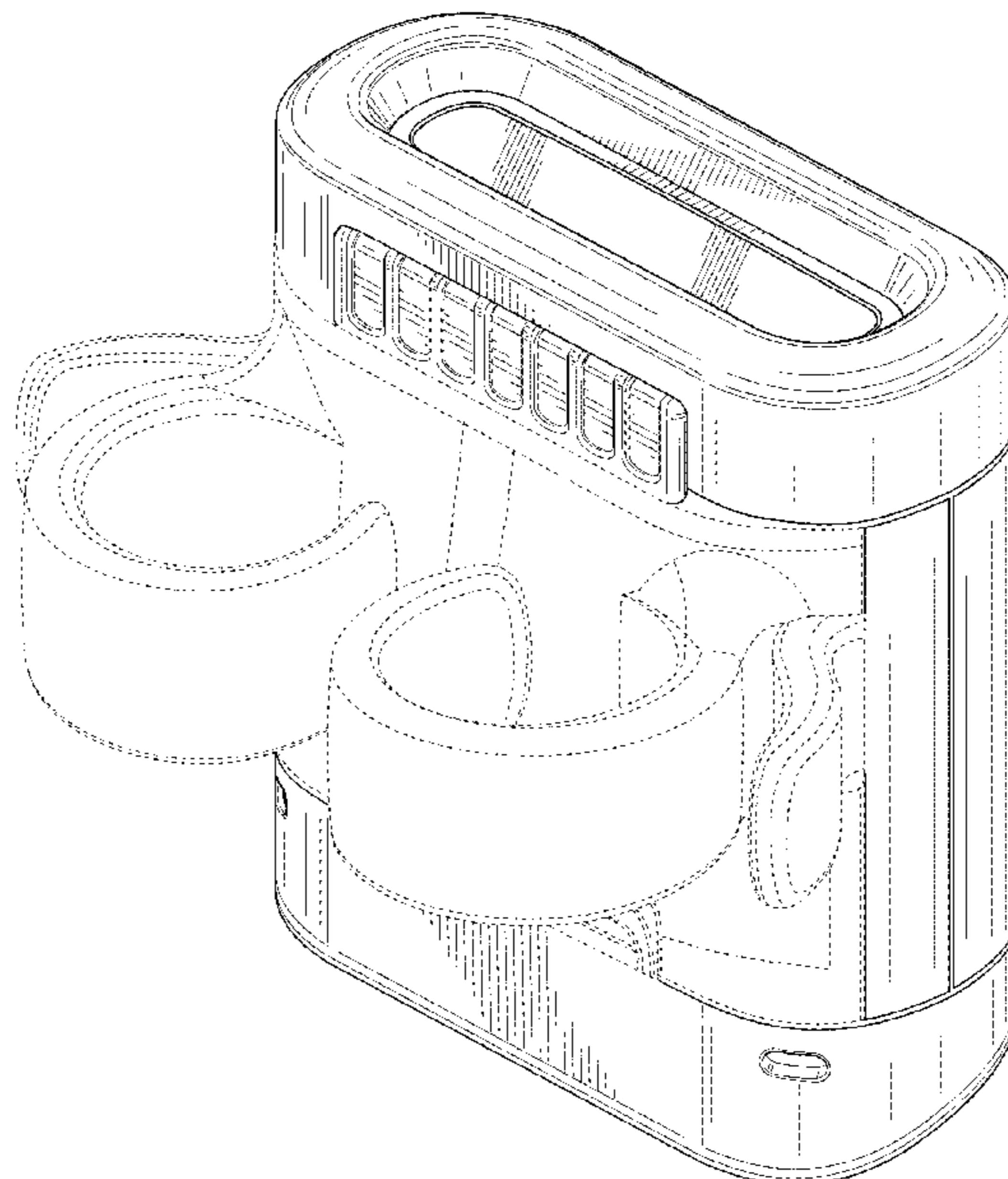
(58) **Field of Classification Search**

USPC D14/420, 426-430, 453, 346, 341, 347, D14/412, 498, 507, 371, 344, 125-129, D14/138 R-138 G, 496, 510; D13/107, D13/184; 358/473; 235/462.43, 462.45, 235/462.47, 462.48, 462.44, 462.46, 487, 235/472.01, 472.02, 440, 486, 462.01, 235/462.15, 462.21, 412, 462.11, 462.49, 235/385, 454, 435, 439-441, 375, 444, 235/456, 459, 462.14, 462.17, 462.2, 490, 235/494, 476, 462.22, 462.32, 462.35; 16/110.1, 430, 431; 439/133, 135;

FIG. 1 is a front, bottom, right perspective view of an electronic device in accordance with a first embodiment of the present invention;
FIG. 2 is a rear, bottom, left perspective view of the device of FIG. 1;
FIG. 3 is a bottom plan view of the device of FIG. 1;
FIG. 4 is a top plan view of the device of FIG. 1;
FIG. 5 is a right elevation view of the device of FIG. 1;
FIG. 6 is a left elevation view of the device of FIG. 1;
FIG. 7 is a front elevation view of the device of FIG. 1; and,
FIG. 8 is a rear elevation view of the device of FIG. 1.
The broken lines shown herein are for illustrative purposes and form no part of the claimed design.

(Continued)

1 Claim, 8 Drawing Sheets



US D900,102 S

(58) **Field of Classification Search**

USPC 709/219, 201; 710/73; 320/114, 115, 320/123; 361/679, 679.03; 382/313, 382/321, 318; 455/575.1, 561, 572, 455/575.6; 705/17, 14.64, 14.65, 21; 341/20; 362/103, 157, 158, 171-174, 362/183-208; 250/370.8, 370.1, 215, 250/216, 566; 348/E5.137, E5.143, 348/E9.026; 345/179, 156; 463/36; 14/2; 73/702; 600/300, 485; D3/218; 224/267, 575; 340/5.92; D24/186, 158; D10/65, 57, 81, 78, 98, 70; D26/37-50, D26/24; 396/427

CPC G06K 7/04; G06K 7/1404; G06K 7/1447; G06K 7/10396; G06K 7/0004; G06K 7/0017; G06K 7/002; G06K 7/10881; G06K 7/10386; G06K 7/10009; G06K 7/01; G06K 7/10891; G06K 7/10544-1099; G06K 2007/10524; G06K 2007/10534; G06F 1/163; G06F 1/1698; G06F 1/1684; G06F 2203/0331; G06Q 20/204; G06Q 20/208; G06Q 20/30; G06Q 20/322; G06Q 20/203; G06Q 20/343; A45F 5/00; A45F 2005/002; A45F 2005/008; A45F 2200/0516; A45F 2200/0525; A45F 2200/0533; A45F 2200/0508; H04N 5/74; H04N 9/3129; H04N 9/3141; H01H 2009/0221; A47F 9/046; A47F 9/047; G07G 1/0045; G04N 5/23238; G04N 5/2252; G04N 5/2251; G03B 17/02; B25H 5/00; B66F 7/28; G02B 26/10; G02B 26/106; G07F 11/002; G07F 11/02

See application file for complete search history.

5,752,297 A 5/1998 Ramey
 5,808,289 A 9/1998 Becker
 5,837,990 A 11/1998 Shepard
 D406,749 S 3/1999 Selk
 D407,295 S 3/1999 Belokin et al.
 5,875,945 A 3/1999 Roach
 5,986,446 A 11/1999 Williamson
 D440,005 S 4/2001 Blanton
 D457,503 S 5/2002 Butler, Jr.
 6,405,414 B1 6/2002 Byrnes et al.
 D462,688 S 9/2002 Schieffers et al.
 D462,964 S * 9/2002 Croley D14/420
 6,607,134 B1 8/2003 Bard et al.
 6,634,558 B1 10/2003 Patel et al.
 6,853,293 B2 2/2005 Swartz et al.
 D522,352 S 6/2006 Van Straaten
 7,135,011 B2 11/2006 Powers et al.
 7,140,546 B1 11/2006 Terlizzi et al.
 7,286,803 B2 10/2007 Hamasaki et al.
 D554,641 S * 11/2007 Miller D14/427
 7,316,332 B2 1/2008 Powers et al.
 D574,746 S 8/2008 Nolan
 D581,255 S 11/2008 Calvin
 D592,092 S 5/2009 Flynn
 7,534,206 B1 5/2009 Lovitt et al.
 D597,403 S 8/2009 Ho et al.
 D600,586 S 9/2009 Nolan
 7,871,006 B2 * 1/2011 Morris G06K 7/10891
 235/462.44
 7,872,444 B2 * 1/2011 Hamilton H02J 7/00302
 320/108
 D631,740 S 2/2011 Wood
 7,959,084 B2 6/2011 Wulff
 D647,788 S 11/2011 Weaver et al.
 D654,597 S 2/2012 Hiramura
 D663,735 S 7/2012 Musselman
 8,260,384 B2 9/2012 Wulff et al.
 D673,954 S 1/2013 Li et al.
 D675,856 S 2/2013 Yiannaki
 D686,103 S 7/2013 Mitsui
 D686,104 S 7/2013 Mitsui
 D689,862 S 9/2013 Liu
 8,534,514 B2 9/2013 Zhu et al.
 D704,769 S 5/2014 Penington et al.
 8,794,527 B2 * 8/2014 Miller G06K 7/10009
 235/472.02

(56) **References Cited**

U.S. PATENT DOCUMENTS

892,812 A 7/1908 Day
 1,601,560 A 9/1926 Codman
 1,724,129 A 8/1929 Cramer
 2,539,940 A 1/1951 Abramson
 3,894,706 A 7/1975 Mizusawa
 3,993,230 A 11/1976 Oakes
 4,106,310 A 8/1978 Abramowitz
 4,224,721 A 9/1980 Ohlson
 4,244,544 A 1/1981 Kornat
 D265,811 S 8/1982 Barr
 4,382,317 A 5/1983 McDonald et al.
 4,653,716 A 3/1987 Sakaguchi
 D296,074 S 6/1988 Seyfarth
 4,766,299 A 8/1988 Tierney et al.
 D305,214 S 12/1989 Campbell
 5,058,885 A 10/1991 Brant
 5,191,197 A 3/1993 Metlitsky et al.
 D335,661 S * 5/1993 Shepard D14/427
 D335,662 S 5/1993 Shepard
 D342,245 S * 12/1993 Krichever D14/427
 5,272,324 A 12/1993 Blevins
 5,340,972 A 8/1994 Sandor
 5,410,140 A 4/1995 Bard et al.
 D372,234 S * 7/1996 LaManna D14/427
 D375,890 S 11/1996 Takai
 D376,309 S 12/1996 Takai
 5,602,376 A 2/1997 Coleman et al.
 5,610,386 A 3/1997 Ball et al.
 5,610,387 A 3/1997 Bard et al.
 5,688,428 A 11/1997 Maguire
 D387,652 S 12/1997 Carlson, Jr.
 D391,250 S 2/1998 Swift et al.
 5,742,043 A 4/1998 Knowles et al.

D716,304 S * 10/2014 Orthey D14/385
 8,950,638 B2 2/2015 Wangercyn et al.
 D732,023 S * 6/2015 Asao D14/358
 D734,336 S * 7/2015 Mistkawi D14/420
 9,082,030 B1 * 7/2015 Miller G06K 7/01
 D740,827 S 10/2015 Sun
 D741,701 S 10/2015 McNeil et al.
 D750,563 S * 3/2016 Hedderich D13/137.1
 D755,181 S * 5/2016 Mistkawi D14/420
 D756,360 S 5/2016 Zhu
 D766,886 S 9/2016 Lee
 D777,025 S 1/2017 Turksu et al.
 9,576,171 B2 * 2/2017 Sun G06K 7/10891
 9,585,455 B2 3/2017 Boyle et al.
 D791,558 S 7/2017 Carpio
 9,727,769 B2 * 8/2017 Oberpriller G06K 7/10891
 9,743,731 B2 8/2017 Oberpriller et al.
 D808,391 S 1/2018 Schooneveldt et al.
 D813,660 S 3/2018 Tyner
 D832,844 S 11/2018 Lim
 D833,437 S * 11/2018 Campanini D14/420
 D833,438 S 11/2018 Lim et al.
 10,152,623 B2 * 12/2018 Miller G06K 7/10009
 10,152,624 B2 * 12/2018 Miller G06K 7/10584
 D840,377 S 2/2019 Jin et al.
 D858,525 S * 9/2019 Sittig D14/427
 10,463,140 B2 * 11/2019 Oberpriller A45F 5/00
 10,671,825 B2 * 6/2020 Miller G06K 7/0004
 2002/0130237 A1 9/2002 Kluser
 2002/0185542 A1 12/2002 Wilz et al.
 2004/0111071 A1 6/2004 Powers et al.
 2004/0162534 A1 8/2004 Powers et al.
 2004/0222301 A1 11/2004 Willins et al.

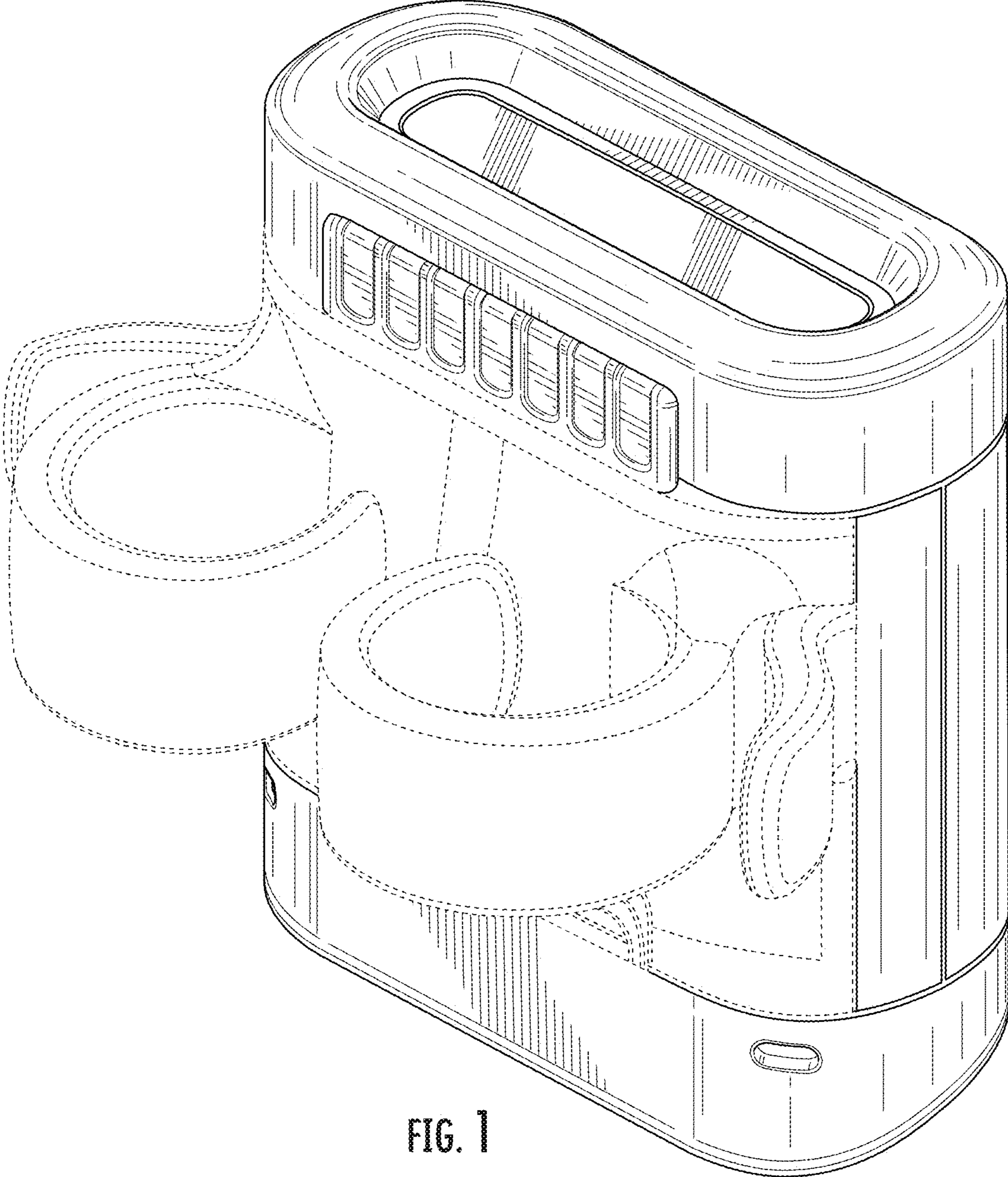


FIG. 1

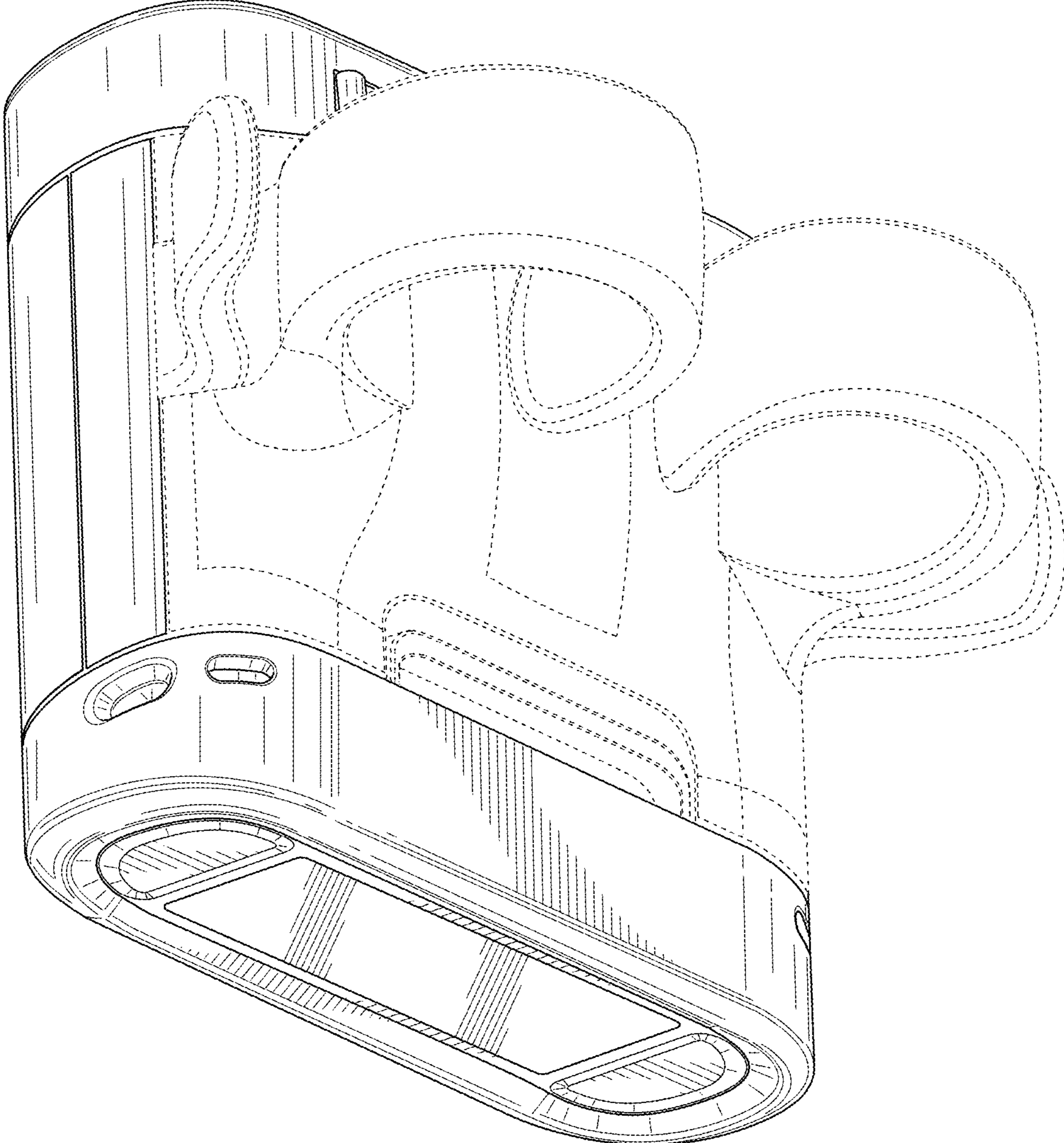


FIG. 2

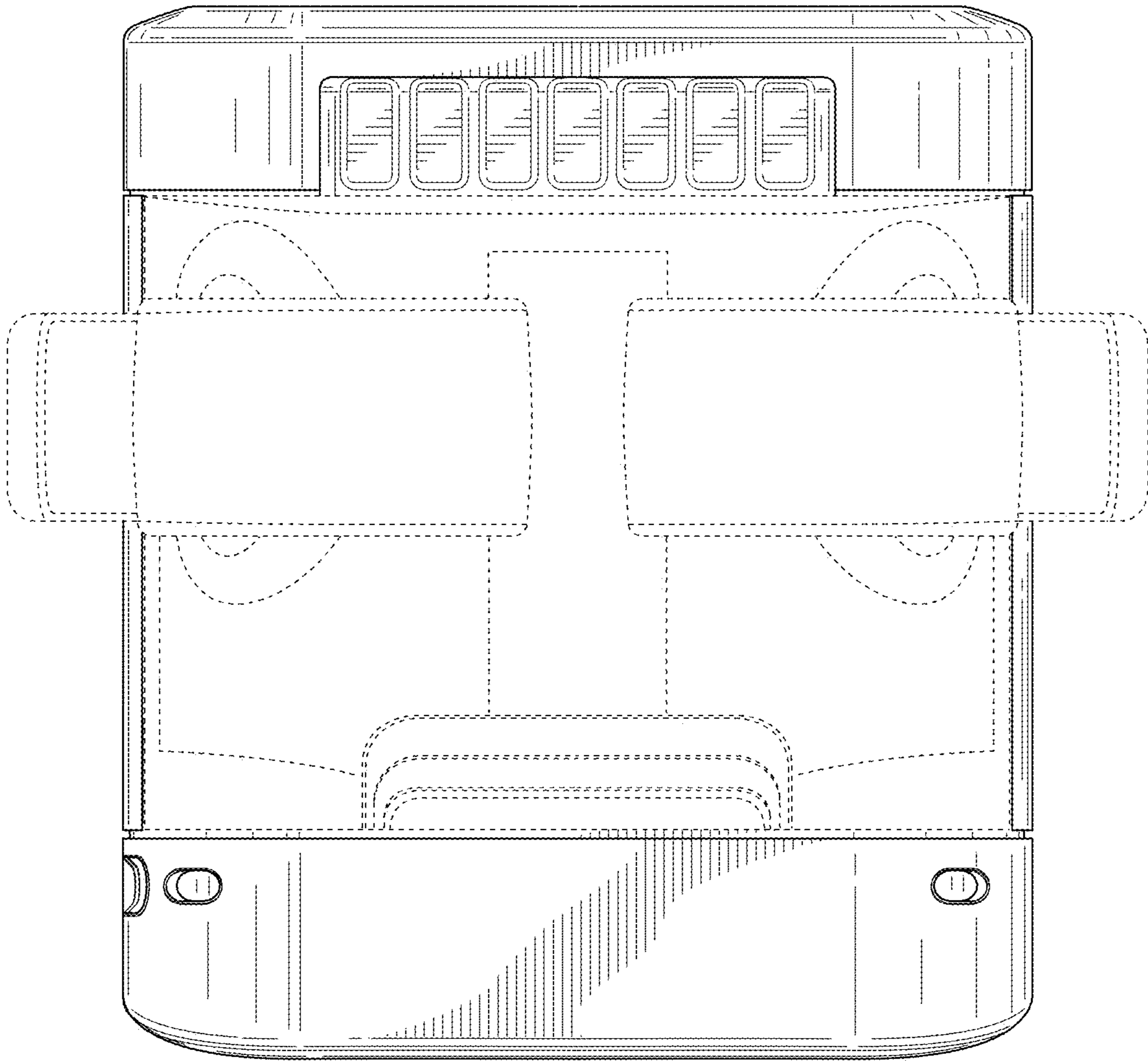


FIG. 3

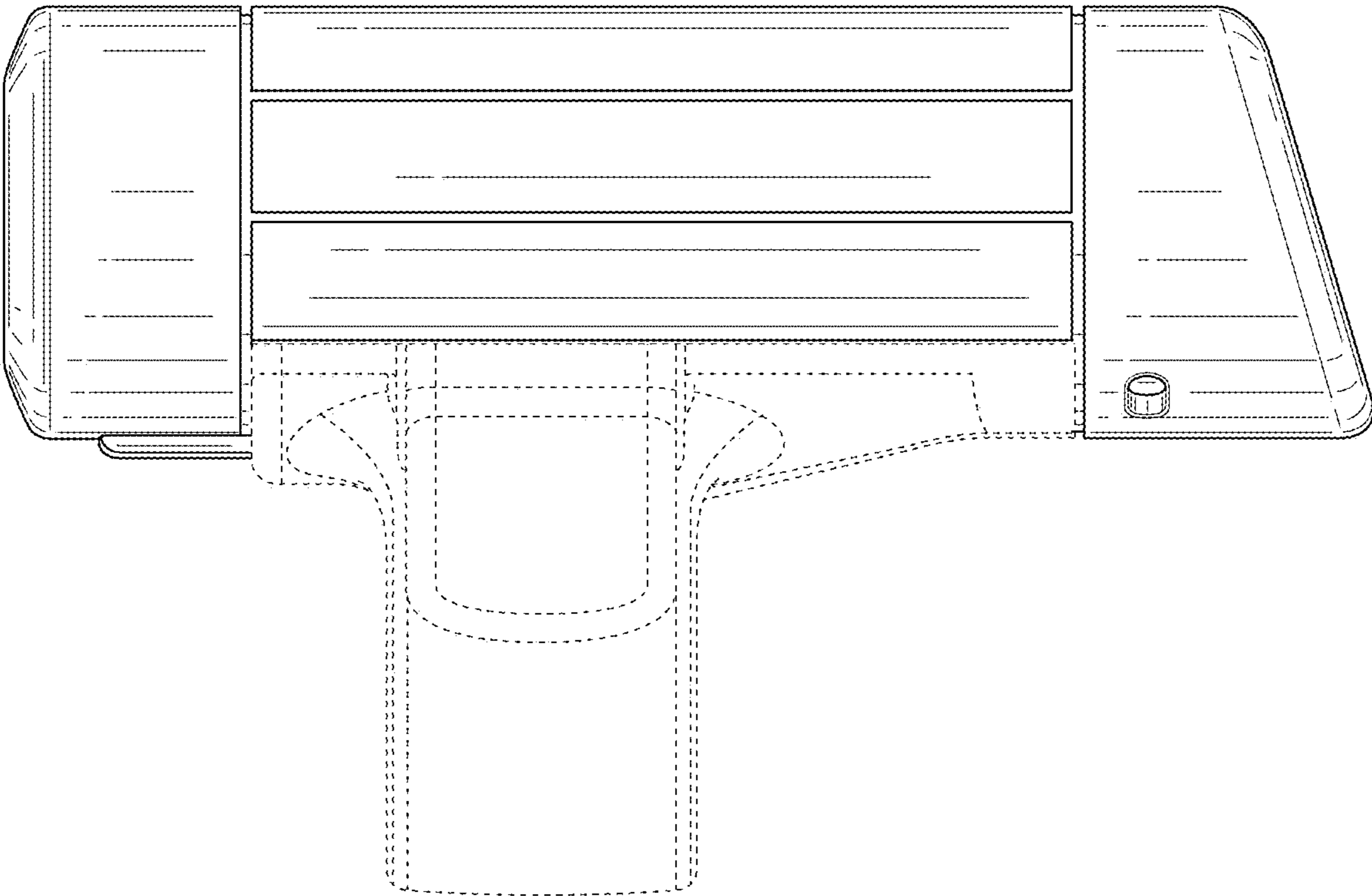


FIG. 5

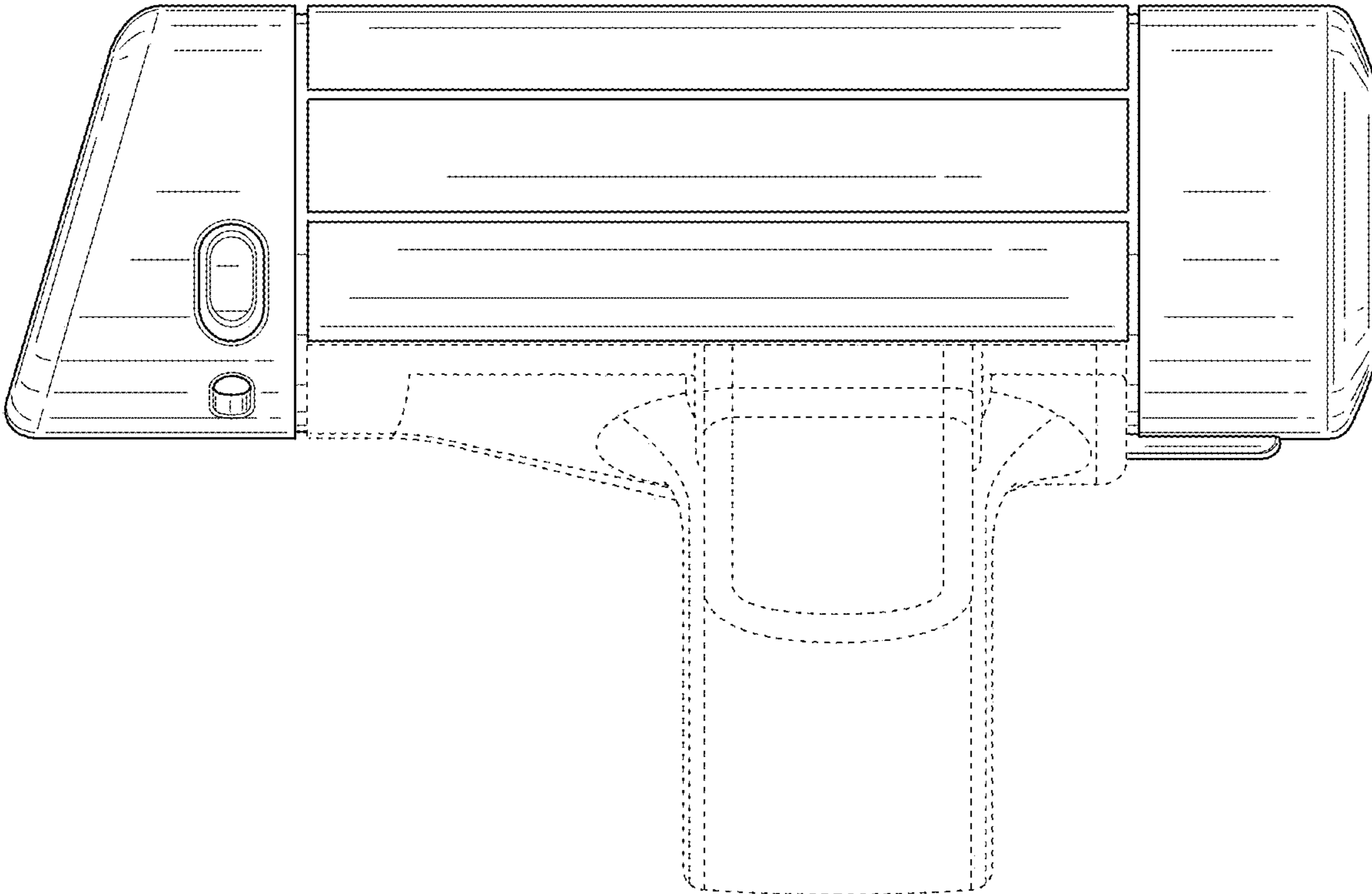


FIG. 6

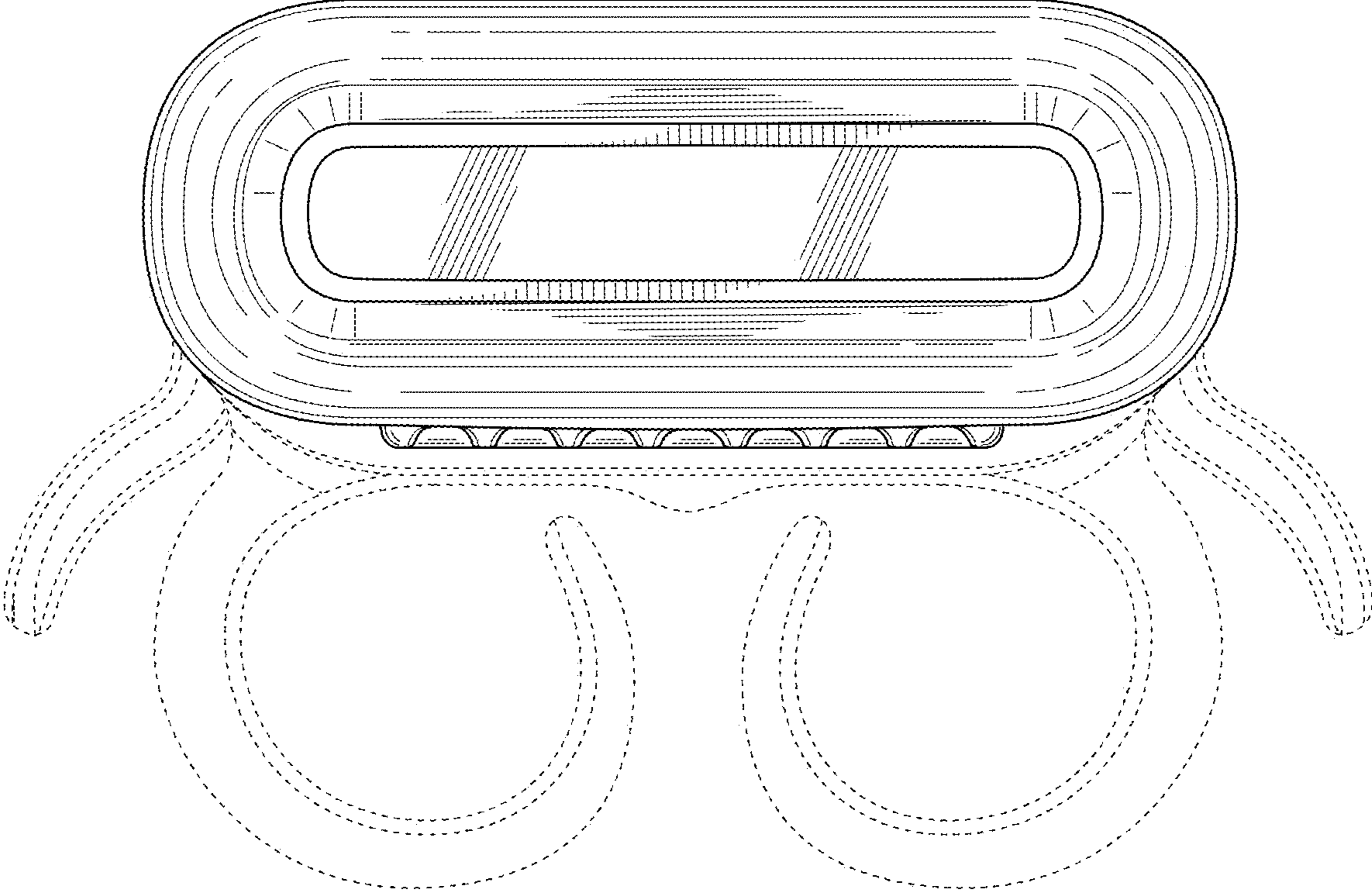


FIG. 7

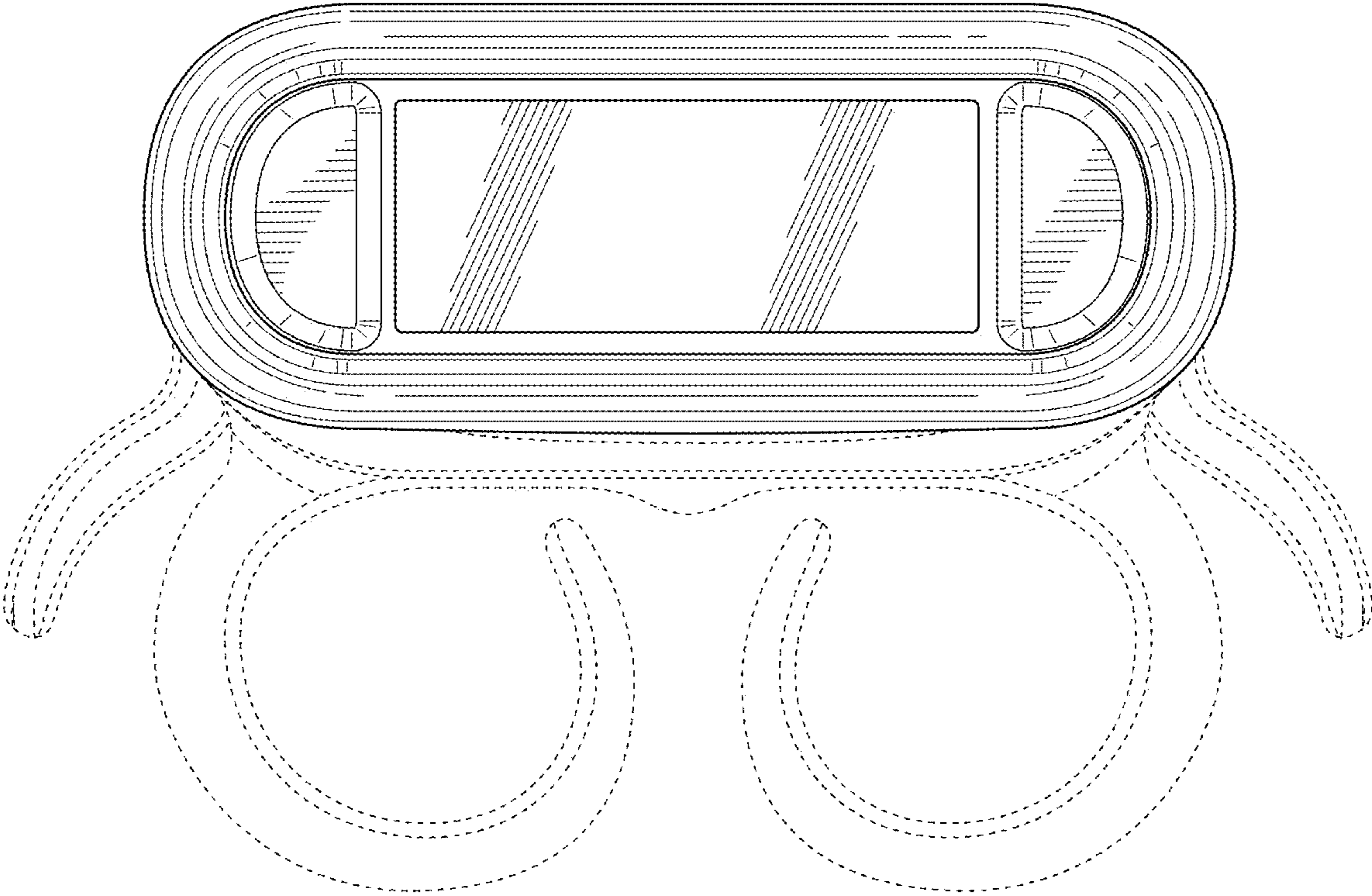


FIG. 8