



US00D900100S

(12) **United States Design Patent** (10) **Patent No.:** **US D900,100 S**
Koo (45) **Date of Patent:** **** Oct. 27, 2020**

(54) **TOUCHSCREEN DISPLAY DEVICE HAVING TOUCHSCREEN PUSH BUTTONS**

D449,609 S * 10/2001 Jung D14/374
D455,665 S * 4/2002 Schoenfish D10/125
D464,961 S * 10/2002 Sogabe D14/346

(Continued)

(71) Applicant: **GTT CO., LTD.**, Paju-si, Gyeonggi-do (KR)

FOREIGN PATENT DOCUMENTS

(72) Inventor: **Nam Kyu Koo**, Paju-si (KR)

CN 305060267 * 3/2019
CN 305120034 * 4/2019

(73) Assignee: **GTT CO., LTD.**, Paju-si, Gyeonggi-Do (KR)

OTHER PUBLICATIONS

(**) Term: **15 Years**

Series 2 Button Display, GTT, gtt.co.kr, author not listed, published Sep. 17, 2018 per wayback machine © GTT Co., Ltd., online, site visited Jun. 16, 2019. Available from Internet, URL: <http://gtt.co.kr/en/product/casino.php> (Year: 2018).*

(21) Appl. No.: **29/635,053**

(Continued)

(22) Filed: **Jan. 26, 2018**

(51) **LOC (12) Cl.** **14-02**

(52) **U.S. Cl.**

USPC **D14/374**

(58) **Field of Classification Search**

USPC D14/150, 247, 320, 331, 333, 346, 374, D14/387, 390-399, 429, 455, 456, 258; D10/52-53, 106.1, 106.95, 123, 125; 341/22-23; 345/104, 156, 168; D13/162-162.1; D21/324-325, 329

CPC G06F 1/16; G06F 1/1616; H01R 35/02; A63F 13/00; A63F 2300/1018; A63F 2300/1056; A63F 2009/2408; G07F 17/32; G07F 17/3209

See application file for complete search history.

Primary Examiner — Marissa J Cash

Assistant Examiner — Altaira J Swangin

(74) *Attorney, Agent, or Firm* — Novick, Kim & Lee, PLLC; Jae Youn Kim; Hyun Woo Shin

(57) **CLAIM**

I claim, the ornamental design for a touchscreen display device having touchscreen push buttons, as shown and described.

DESCRIPTION

FIG. 1 is a top, front, right perspective view of a touchscreen display device having touchscreen push buttons showing my new design;

FIG. 2 is a top, rear, right perspective view thereof;

FIG. 3 is a front elevational view thereof;

FIG. 4 is a rear elevational view thereof;

FIG. 5 is a left side elevational view thereof;

FIG. 6 is a right side elevational view thereof;

FIG. 7 is a top plan view thereof; and,

FIG. 8 is a bottom plan view thereof.

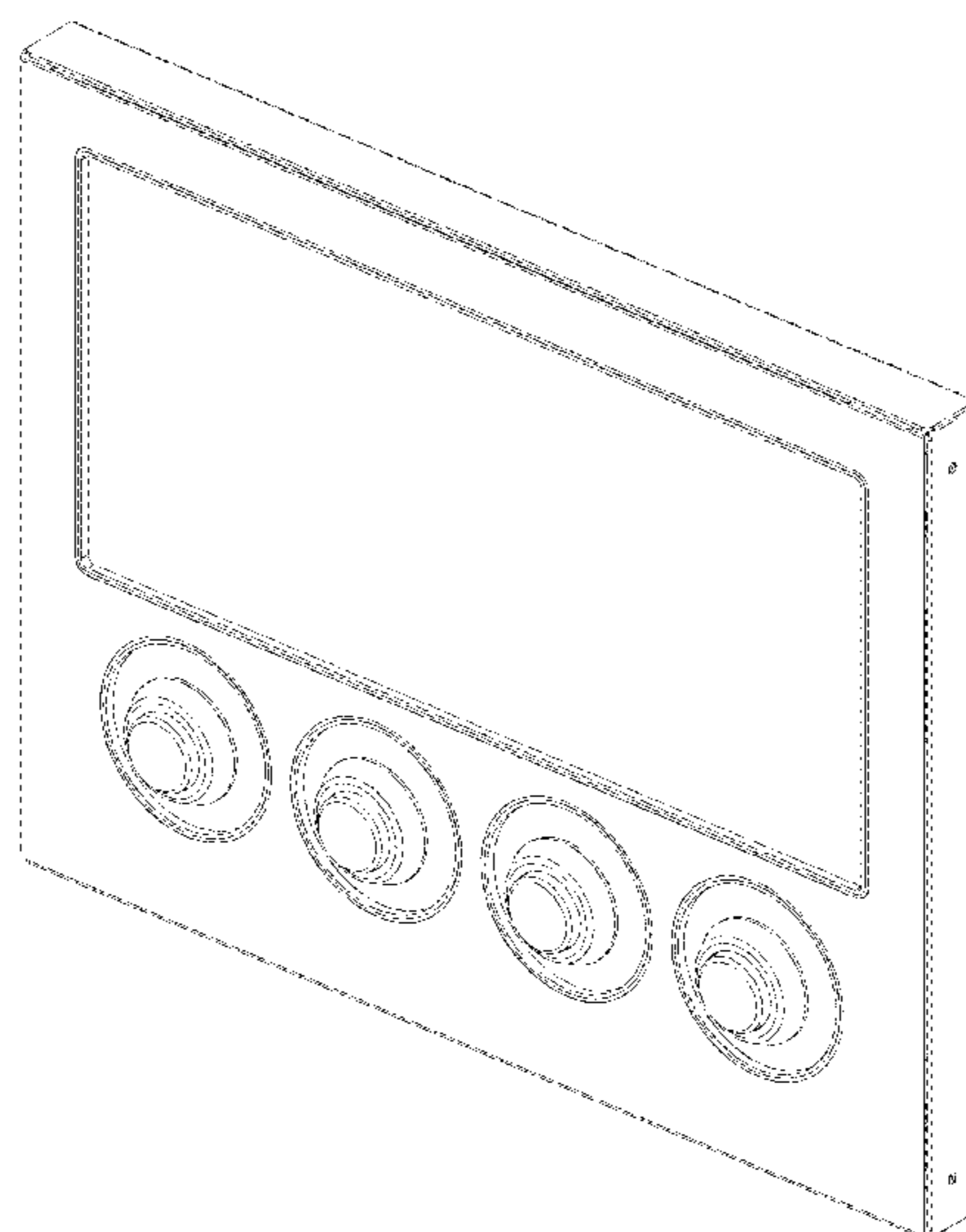
The broken lines in the drawings show portions of the touchscreen display device having touchscreen push buttons which form no part of the claimed design.

1 Claim, 8 Drawing Sheets

(56) **References Cited**

U.S. PATENT DOCUMENTS

D296,770 S * 7/1988 Lloyd D10/102
D305,022 S * 12/1989 Hallgren D13/171
D368,282 S * 3/1996 Lin D21/324
D373,964 S * 9/1996 Alexander D10/106.1
D377,340 S * 1/1997 Brenner D14/331
D394,428 S * 5/1998 Copeland D14/387
D400,181 S * 10/1998 Floyd D13/162
D440,542 S * 4/2001 Hawkins D14/346



(56)

References Cited

U.S. PATENT DOCUMENTS

D471,476 S * 3/2003 Chang D10/103
 D475,048 S * 5/2003 Wu D14/374
 D479,234 S * 9/2003 Tanaka D14/346
 6,888,534 B1 * 5/2005 Northway G06F 1/1626
 345/168
 D512,062 S * 11/2005 Lee D14/374
 D514,104 S * 1/2006 Kawamoto D14/374
 D520,003 S * 5/2006 Rinna D14/374
 D525,541 S * 7/2006 Barton D10/50
 D531,526 S * 11/2006 Barton D10/50
 D554,595 S * 11/2007 Riede D13/164
 D562,318 S * 2/2008 Ward D14/374
 D588,069 S * 3/2009 Cummings D13/158
 D598,312 S * 8/2009 Kreier D10/106.95
 D633,910 S * 3/2011 Cacioppo D14/218
 7,940,364 B2 * 5/2011 Sugawara G02F 1/133308
 345/104
 D654,880 S * 2/2012 Lam D13/174
 D666,508 S * 9/2012 Beland D10/50
 D680,501 S * 4/2013 Elliott H05K 5/0017
 D13/162
 D693,311 S * 11/2013 Biller D13/151
 D695,234 S * 12/2013 Santiago D13/162
 D698,686 S * 2/2014 Saikawa D10/108
 D713,236 S * 9/2014 Park D8/310
 D738,229 S * 9/2015 Jiang D10/50
 D761,741 S * 7/2016 Santiago D13/162
 D762,495 S * 8/2016 Tanaka D10/50
 D762,497 S * 8/2016 Tanaka D10/50
 D766,231 S * 9/2016 Indrunas D14/258
 D793,346 S * 8/2017 Folk D13/162
 D797,580 S * 9/2017 Read D10/49
 D805,508 S * 12/2017 Wellard D14/258

D820,793 S * 6/2018 Arai D13/168
 10,022,623 B2 * 7/2018 Huffer A63F 13/24
 D830,212 S * 10/2018 Holland D10/94
 D837,359 S * 1/2019 Thimmareddy D23/372
 D839,847 S * 2/2019 Dimberg D13/171
 D840,956 S * 2/2019 Wiese D13/173
 D844,614 S * 4/2019 Laurans D14/399
 D846,508 S * 4/2019 Dimberg D13/171
 D848,367 S * 5/2019 Chen D13/110
 D852,077 S * 6/2019 Seaberry D10/118
 D874,950 S * 2/2020 Gentle D10/50
 D879,633 S * 3/2020 Karbing D10/96
 D879,634 S * 3/2020 Karbing D10/96
 2019/0252137 A1 * 8/2019 McDonald H01H 13/04

OTHER PUBLICATIONS

Battery Powered Shelf Display, CDS, crystal-display.com, author not listed, published Mar. 31, 2016 per wayback machine © 2017 Crystal Display Systems, online, site visited Jun. 17, 2019. Available from Internet, URL: <http://crystal-display.com/products/battery-powered-shelf-display/> (Year: 2016).*

Four Channel Fan Controller FPX-008, Kingwin, kingwin.com, author not listed, published Oct. 21, 2017 per wayback machine © 2019 KWI Technology, online, site visited Jun. 24, 2019. Available from Internet, URL: <http://www.kingwin.com/cooling/fan-controllers/fpx-008/> (Year: 2017).*

4-Button LED Display Panel, brand not listed, halloweenfxprops.com, author not listed, published Jun. 27, 2017 per wayback machine © 2020 Halloween FX Props, online, site visited Jun. 16, 2019. Available from Internet, URL: <https://www.halloweenfxprops.com/4-button-led-password-display-panel-w...> (Year: 2017).*

* cited by examiner

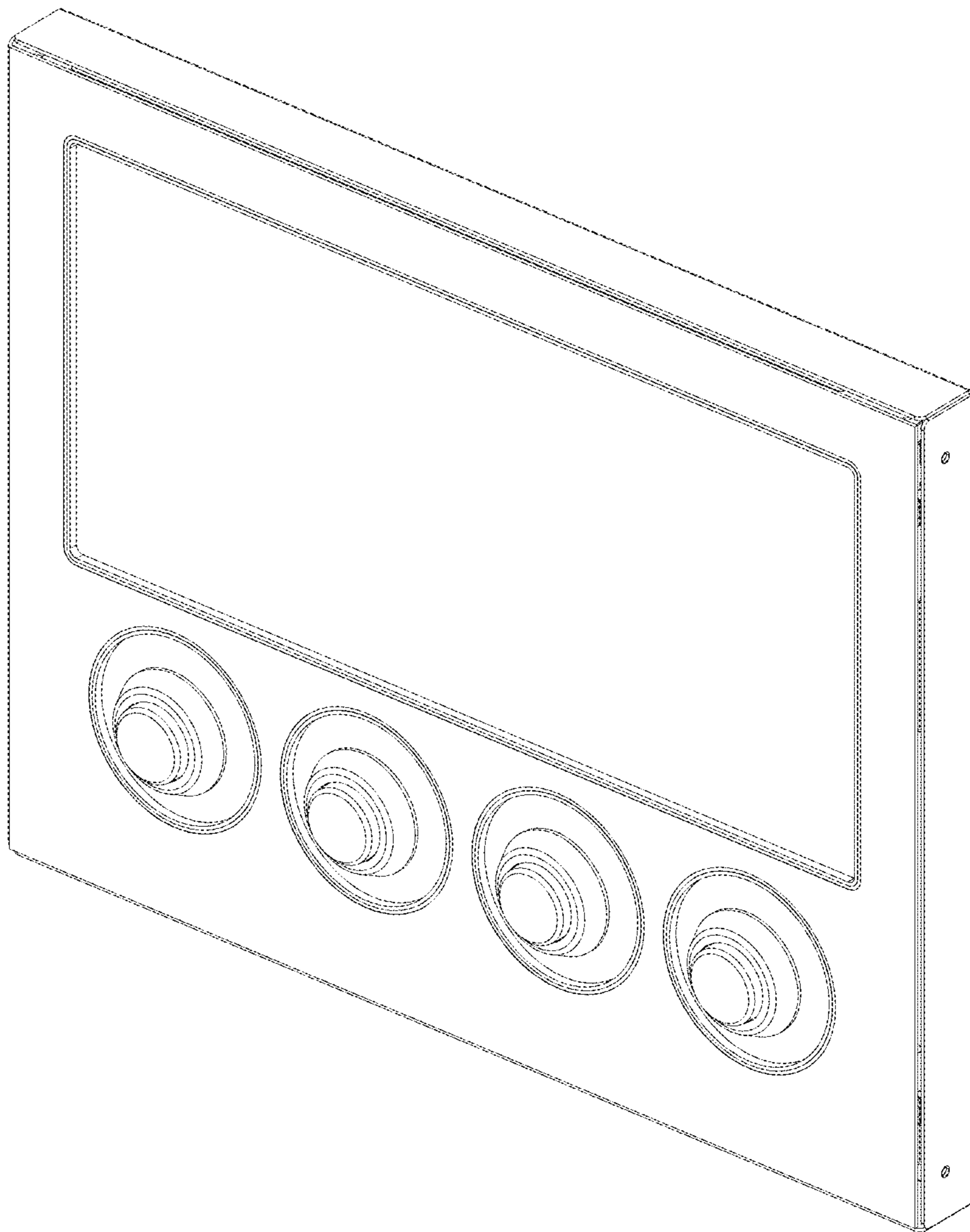


FIG. 1

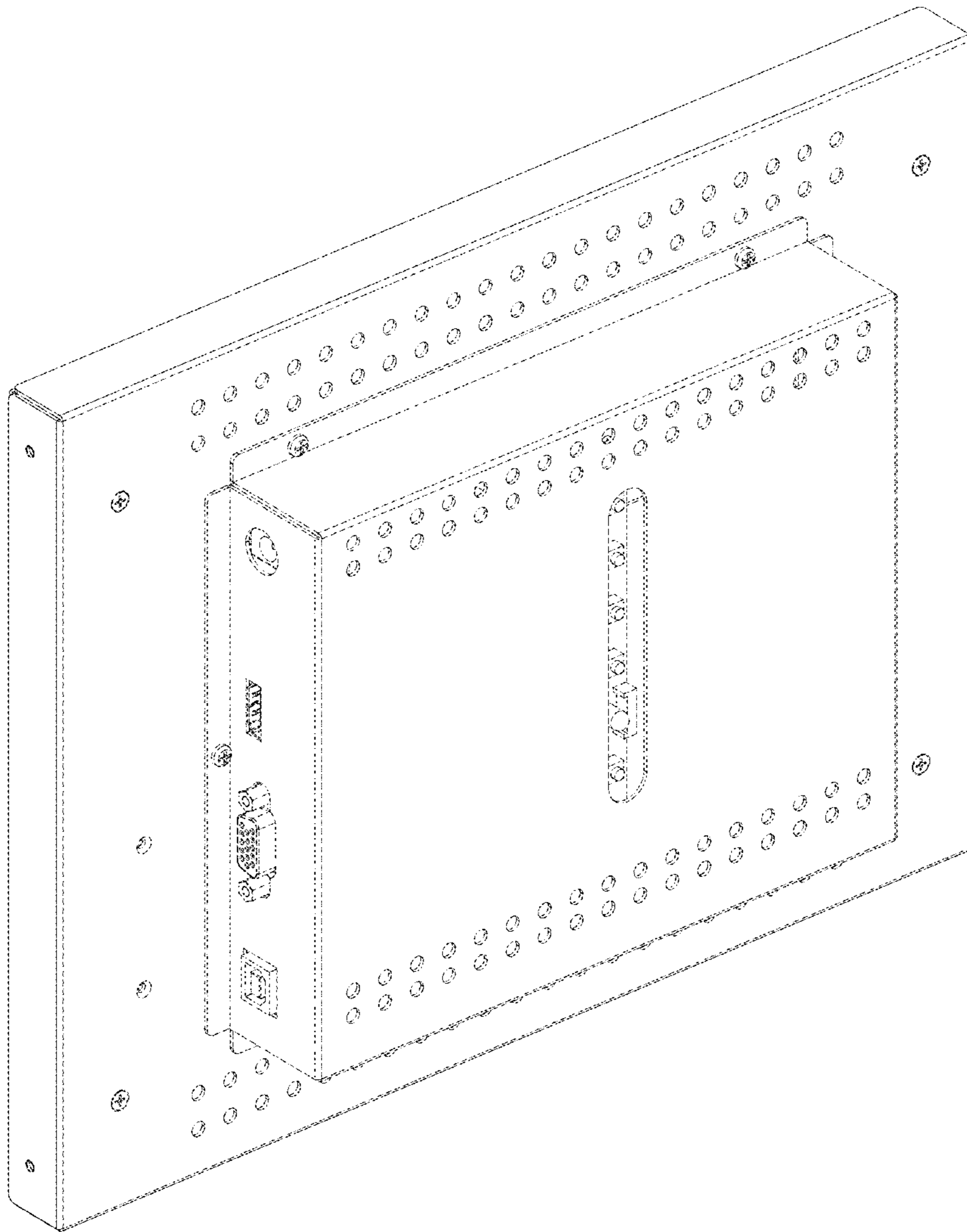


FIG. 2

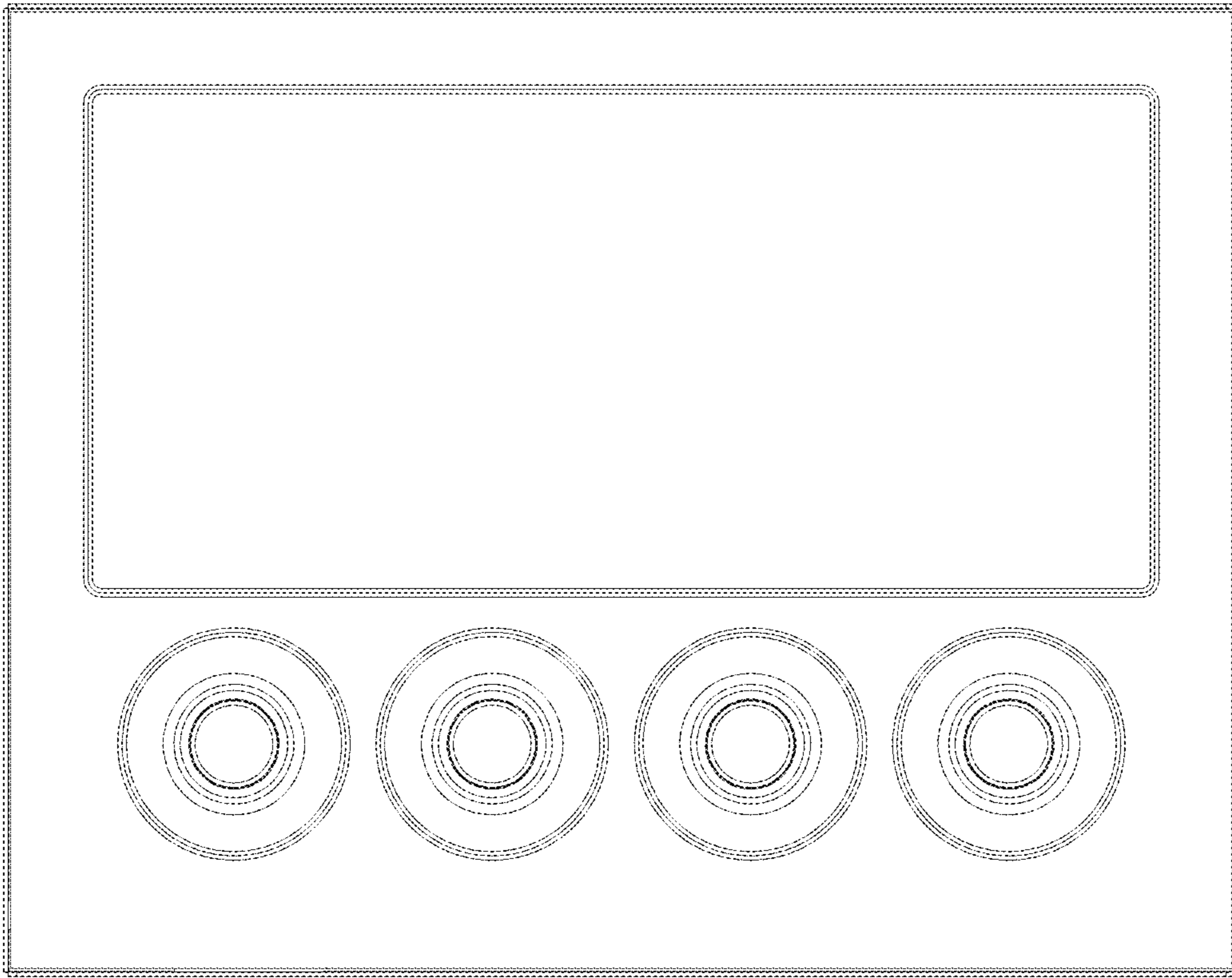


FIG. 3

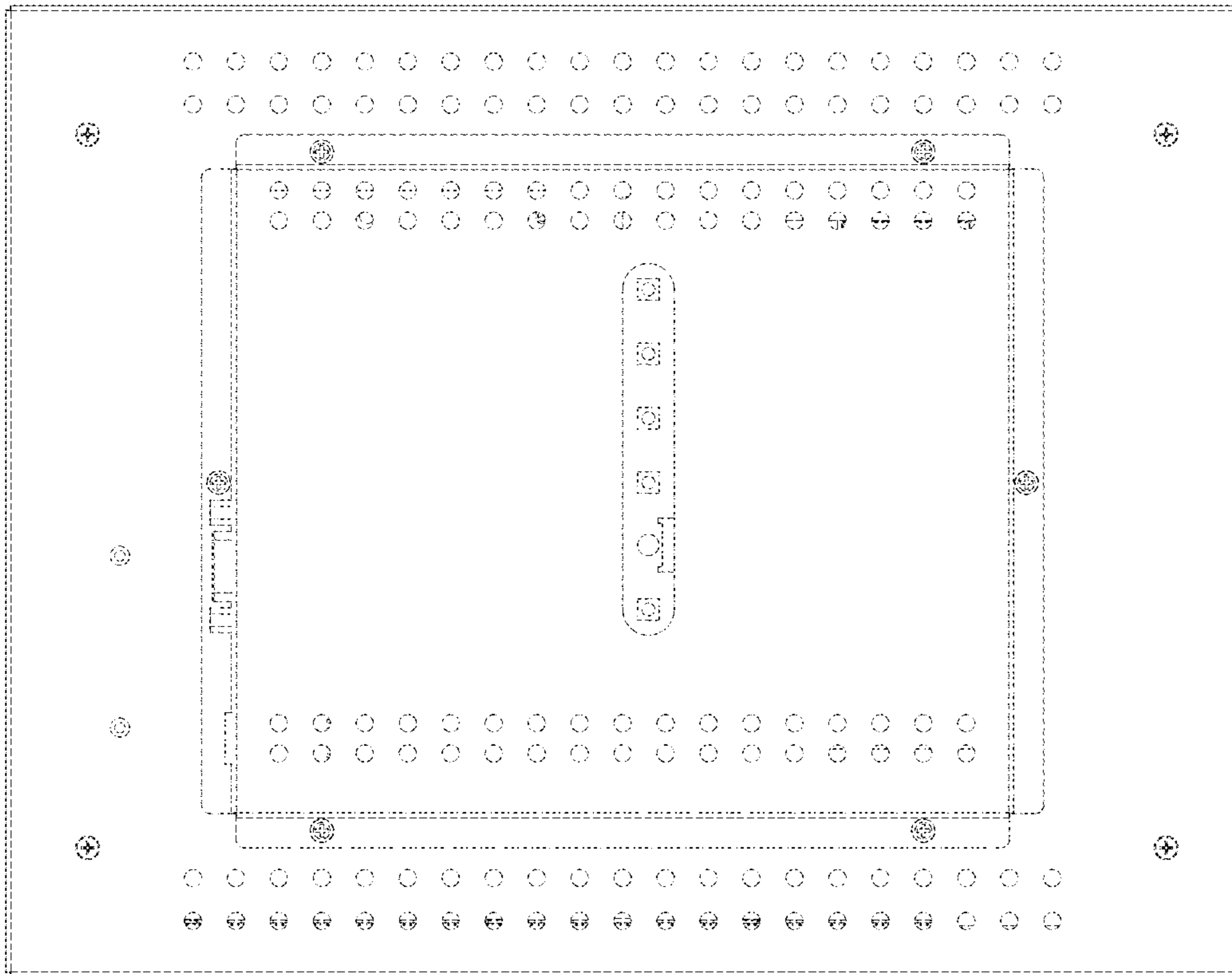


FIG. 4

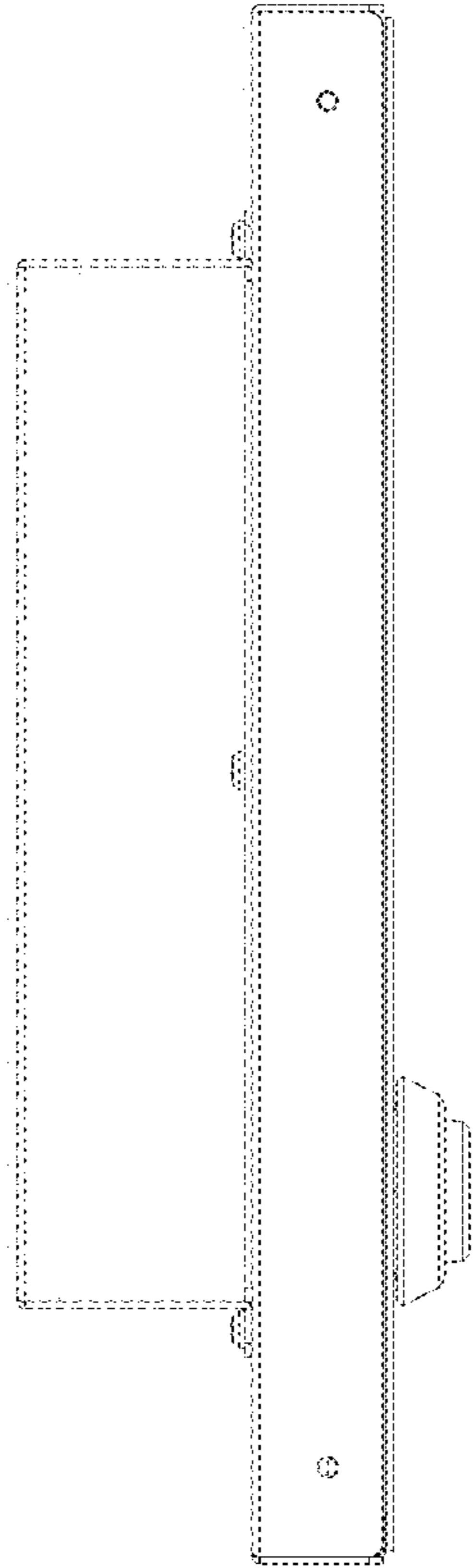


FIG. 5

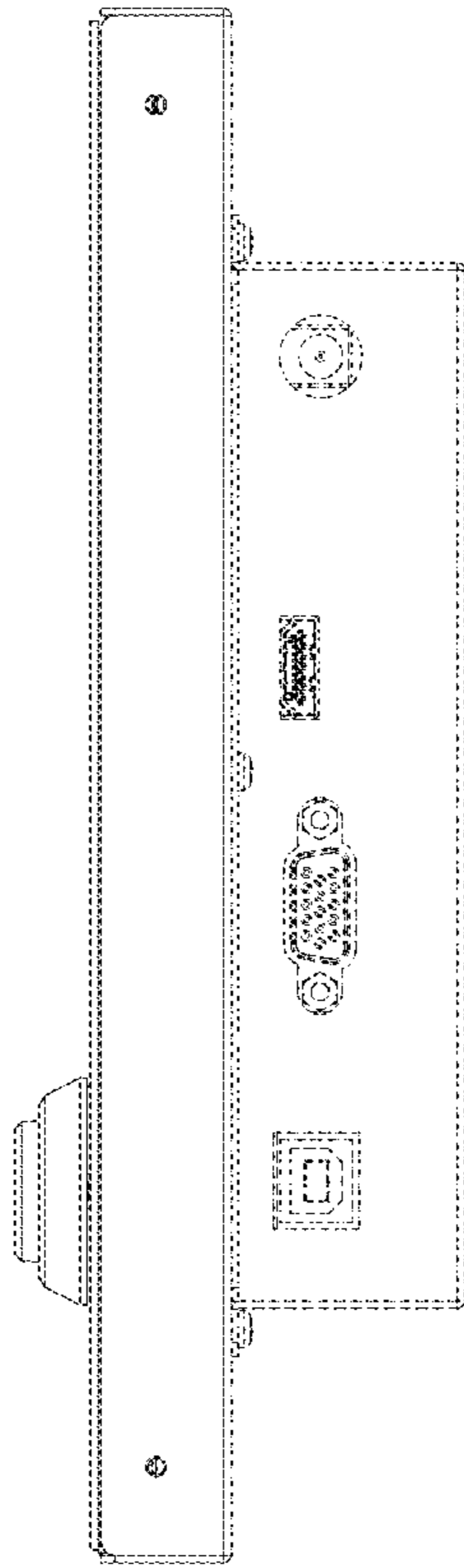


FIG. 6

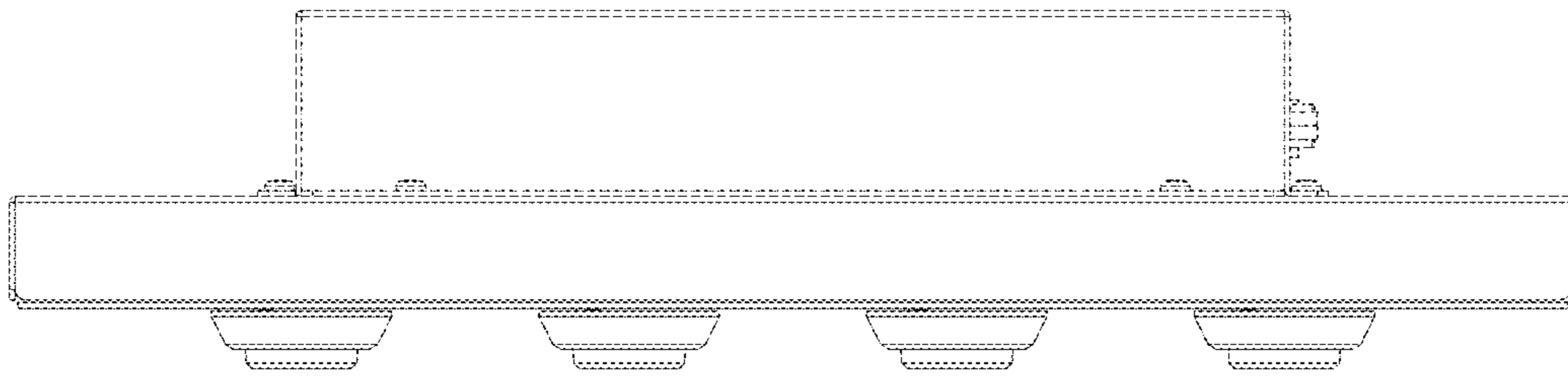


FIG. 7

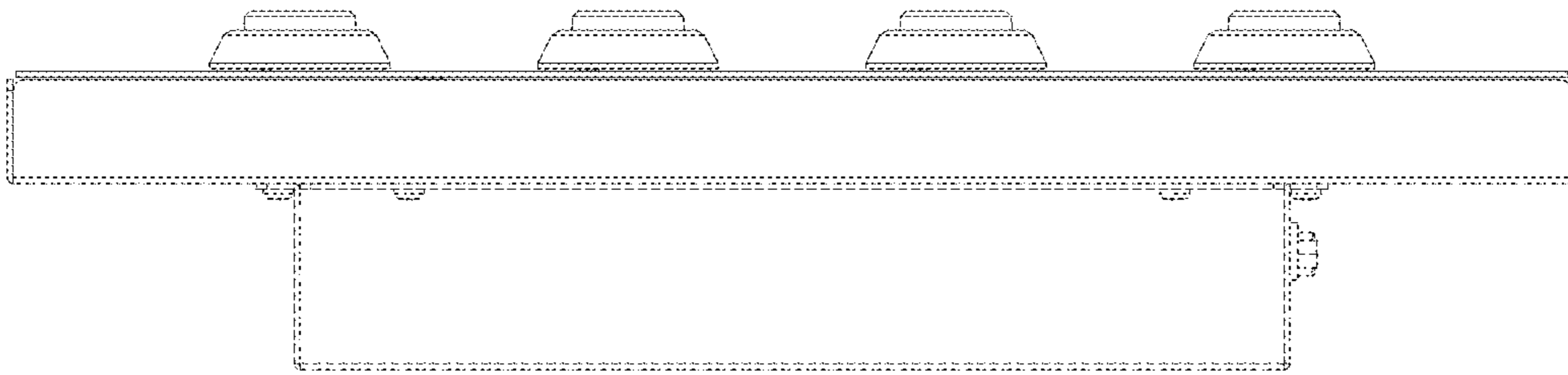


FIG. 8