



US00D900099S

(12) **United States Design Patent**
Park

(10) **Patent No.:** **US D900,099 S**

(45) **Date of Patent:** **** Oct. 27, 2020**

- (54) **HEAD MOUNT DISPLAY**
- (71) Applicant: **Samsung Electronics Co., Ltd.**,
Gyeonggi-do (KR)
- (72) Inventor: **Junghyun Park**, Seoul (KR)
- (73) Assignee: **SAMSUNG ELECTRONICS CO., LTD.**, Gyeonggi-Do (KR)
- (**) Term: **15 Years**
- (21) Appl. No.: **29/729,087**
- (22) Filed: **Mar. 24, 2020**

D807,354 S	1/2018	Yee et al.	
D810,743 S	2/2018	Yee et al.	
D819,634 S	6/2018	Pang et al.	
D819,635 S	6/2018	Miller et al.	
D819,636 S	6/2018	Chen et al.	
D827,642 S	9/2018	Liu et al.	
D834,016 S	11/2018	Raffle et al.	
D852,878 S *	7/2019	Li	D16/309
D853,467 S *	7/2019	Chen	D16/312
D860,200 S	9/2019	McGinty, Jr. et al.	
D861,680 S *	10/2019	Chou	D14/372
D865,764 S *	11/2019	Miller	D14/372
D875,093 S *	2/2020	Park	D14/372
D875,094 S *	2/2020	Miller	D14/372
D882,568 S *	4/2020	Park	D14/372
D882,569 S *	4/2020	Tsao	D14/372
D883,280 S *	5/2020	Shao	D14/372
D883,979 S *	5/2020	Chen	D14/372

Related U.S. Application Data

- (62) Division of application No. 29/644,031, filed on Apr. 13, 2018, now Pat. No. Des. 882,568.

Foreign Application Priority Data

- Oct. 16, 2017 (KR) 30-2017-0047890

- (51) **LOC (12) Cl.** **14-02**
- (52) **U.S. Cl.**
USPC **D14/372**

- (58) **Field of Classification Search**
USPC D14/372, 496, 432, 371, 125, 126, 129,
D14/299; D16/300-342; 351/158, 153,
351/144; 345/7-9, 905; 455/344;
348/115, 53, 121, 739
CPC G02B 27/017; G02B 27/0158; G02B
27/0161; G02B 27/0181; G02B 27/0185;
G02B 27/0189
See application file for complete search history.

References Cited

U.S. PATENT DOCUMENTS

- D778,909 S 2/2017 Nokuo
- D785,619 S 5/2017 Su

* cited by examiner

Primary Examiner — Austin Murphy

(74) *Attorney, Agent, or Firm* — Cantor Colburn LLP

(57) **CLAIM**

The ornamental design for a head mount display, as shown and described.

DESCRIPTION

FIG. 1 is a front perspective view of a head mount display, showing my new design;
 FIG. 2 is a front view thereof;
 FIG. 3 is a rear view thereof;
 FIG. 4 is a left-side view thereof;
 FIG. 5 is a right-side view thereof;
 FIG. 6 is a top view thereof;
 FIG. 7 is a bottom view thereof; and,
 FIG. 8 is a rear perspective view thereof.
 The broken lines illustrating portions of the head mount display form no part of the claimed design.

1 Claim, 6 Drawing Sheets

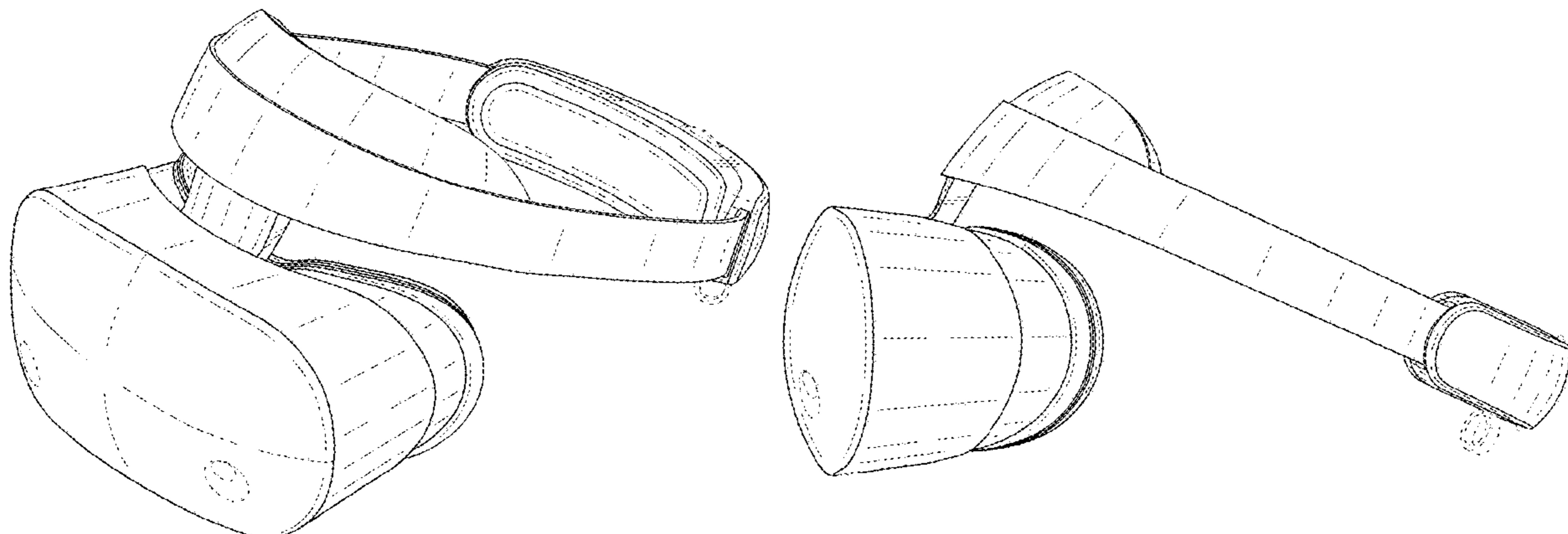


FIG.1

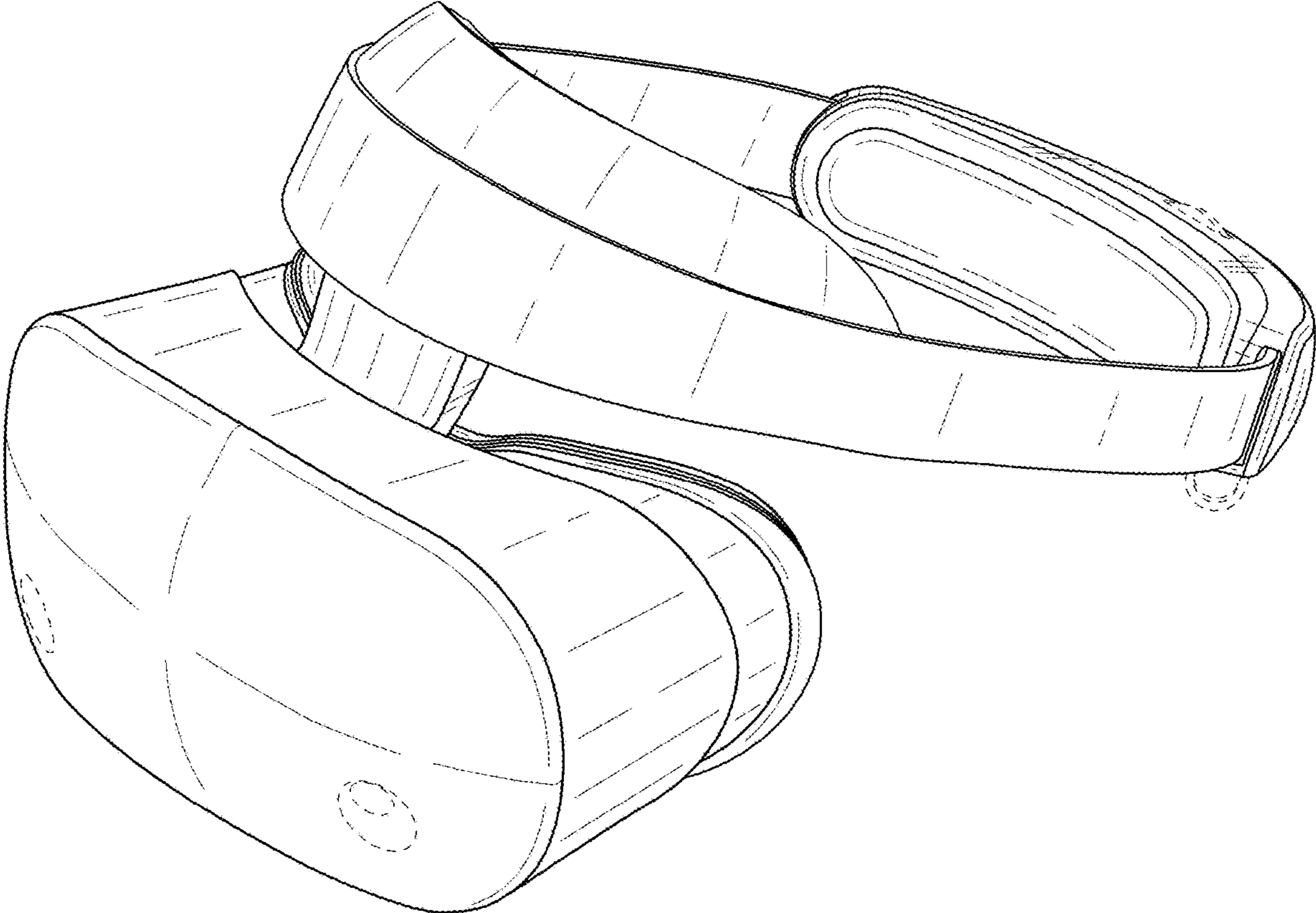


FIG. 2

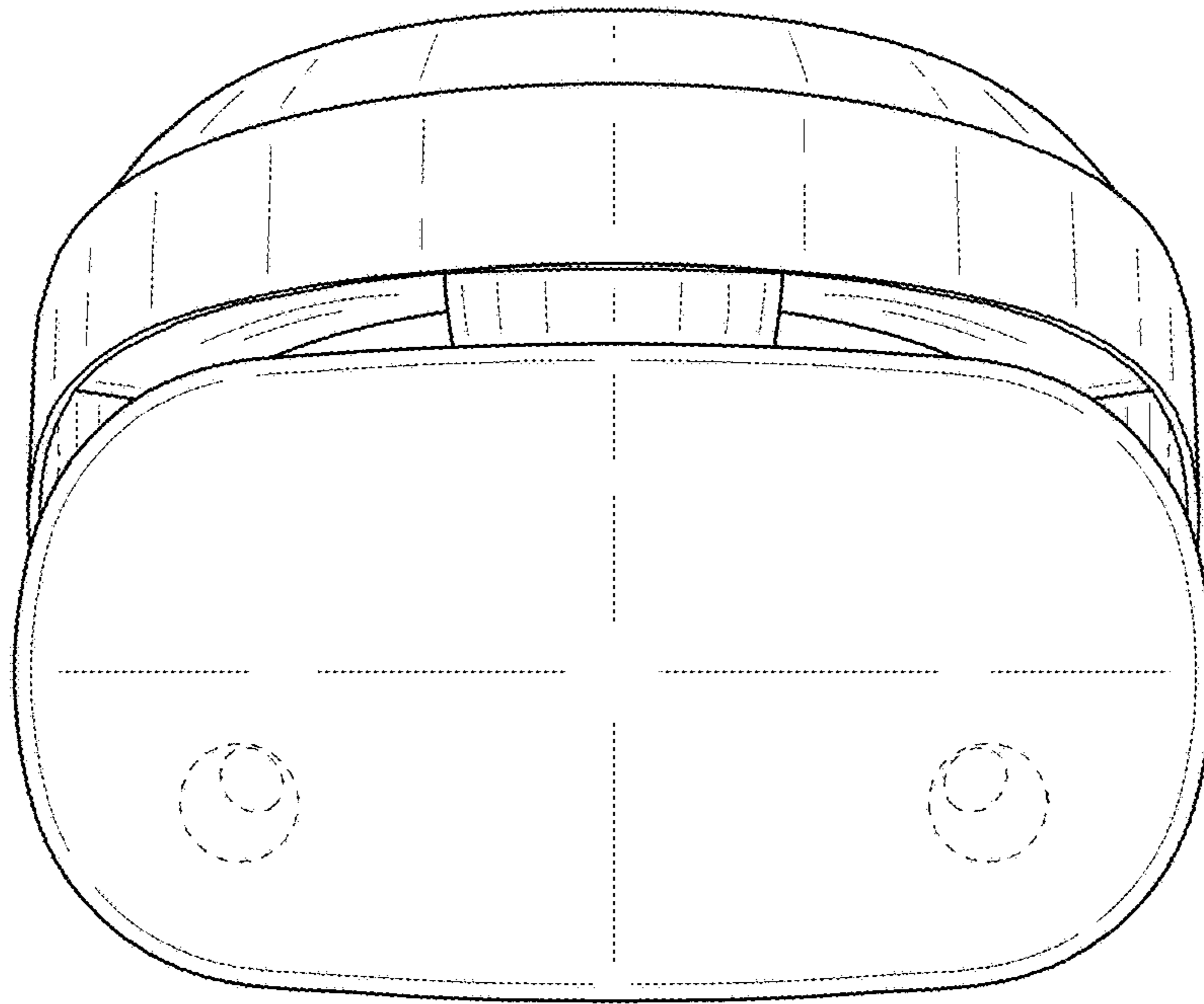


FIG. 3

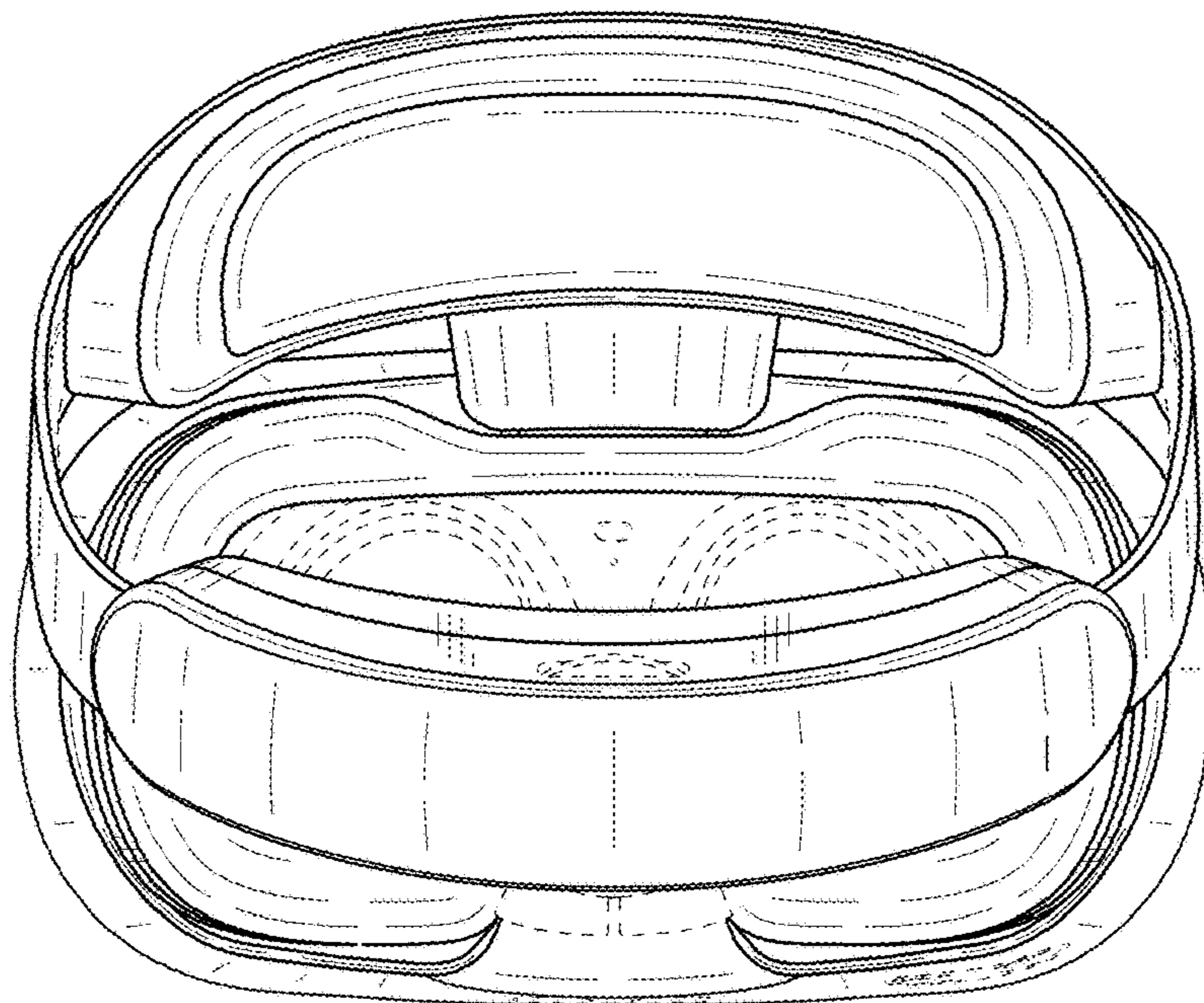


FIG. 4

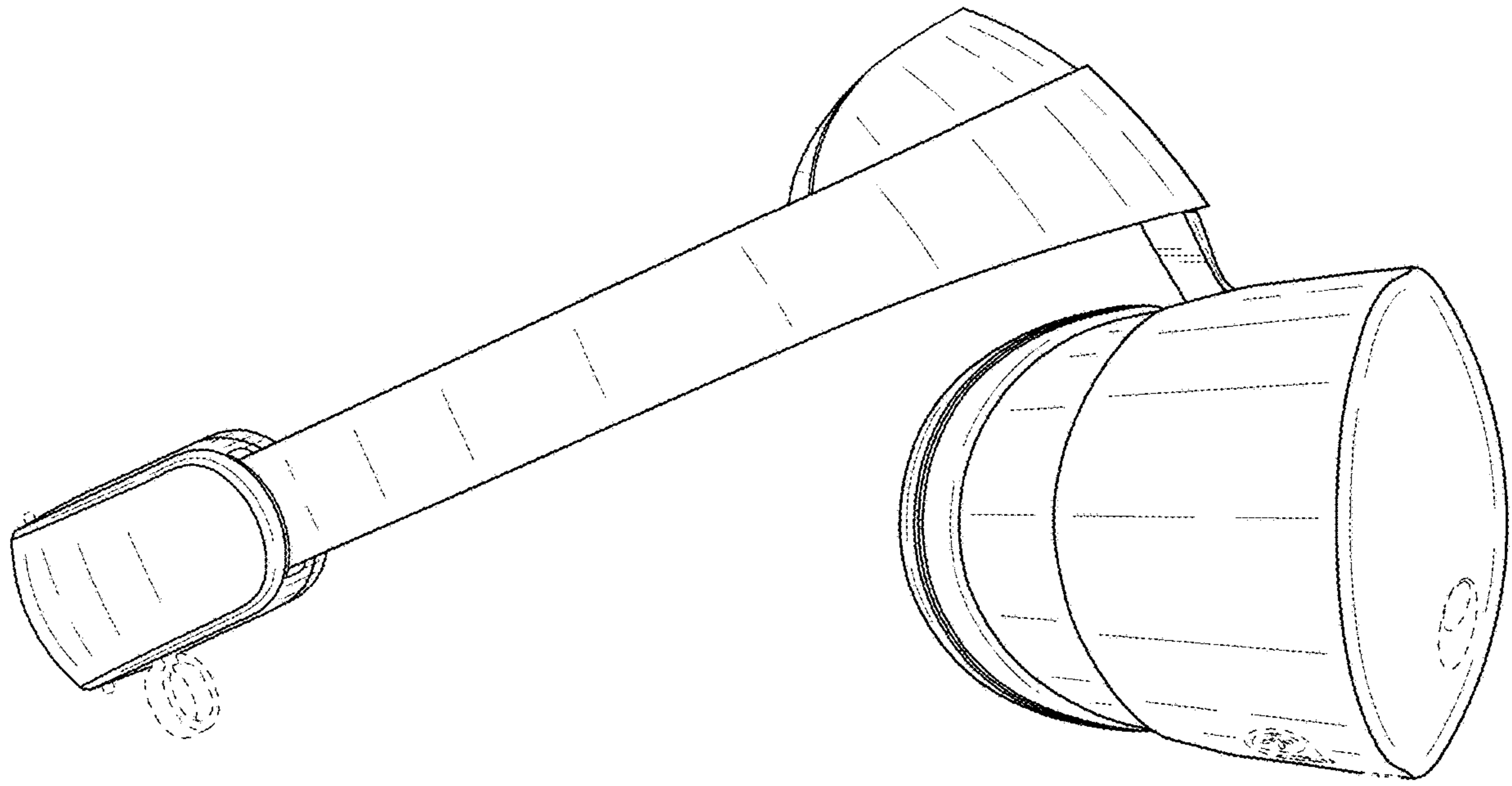


FIG. 5

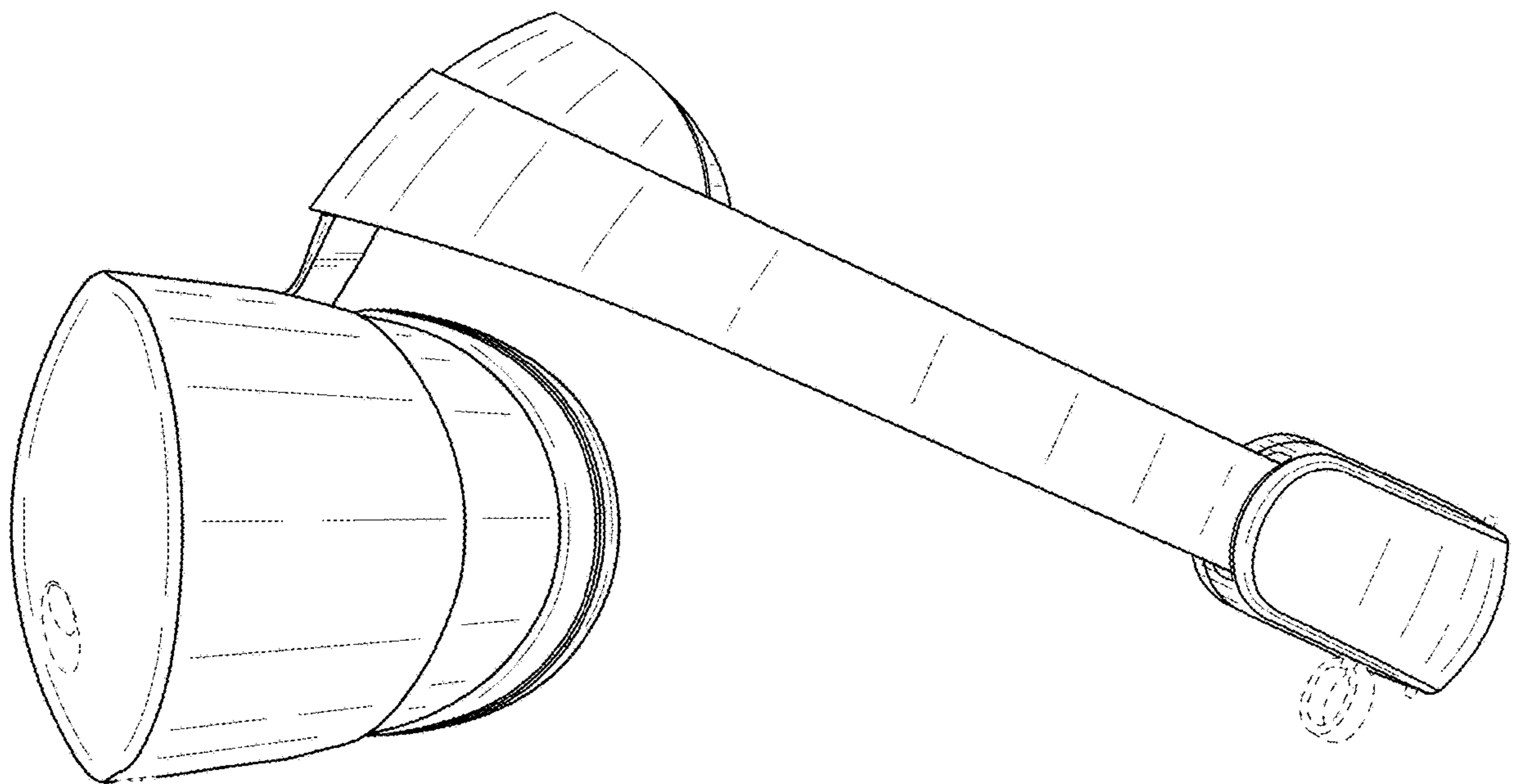


FIG. 6

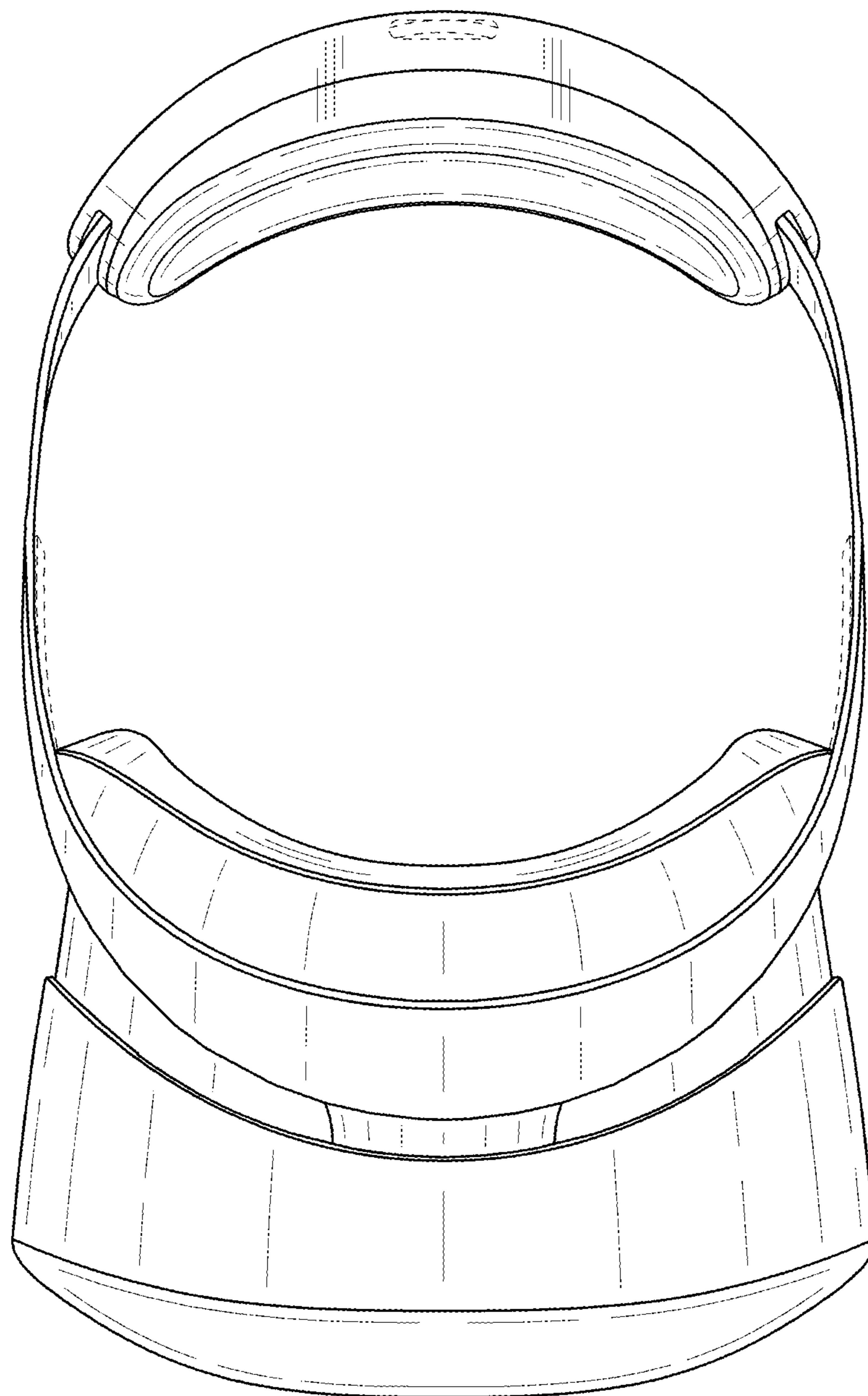


FIG.7

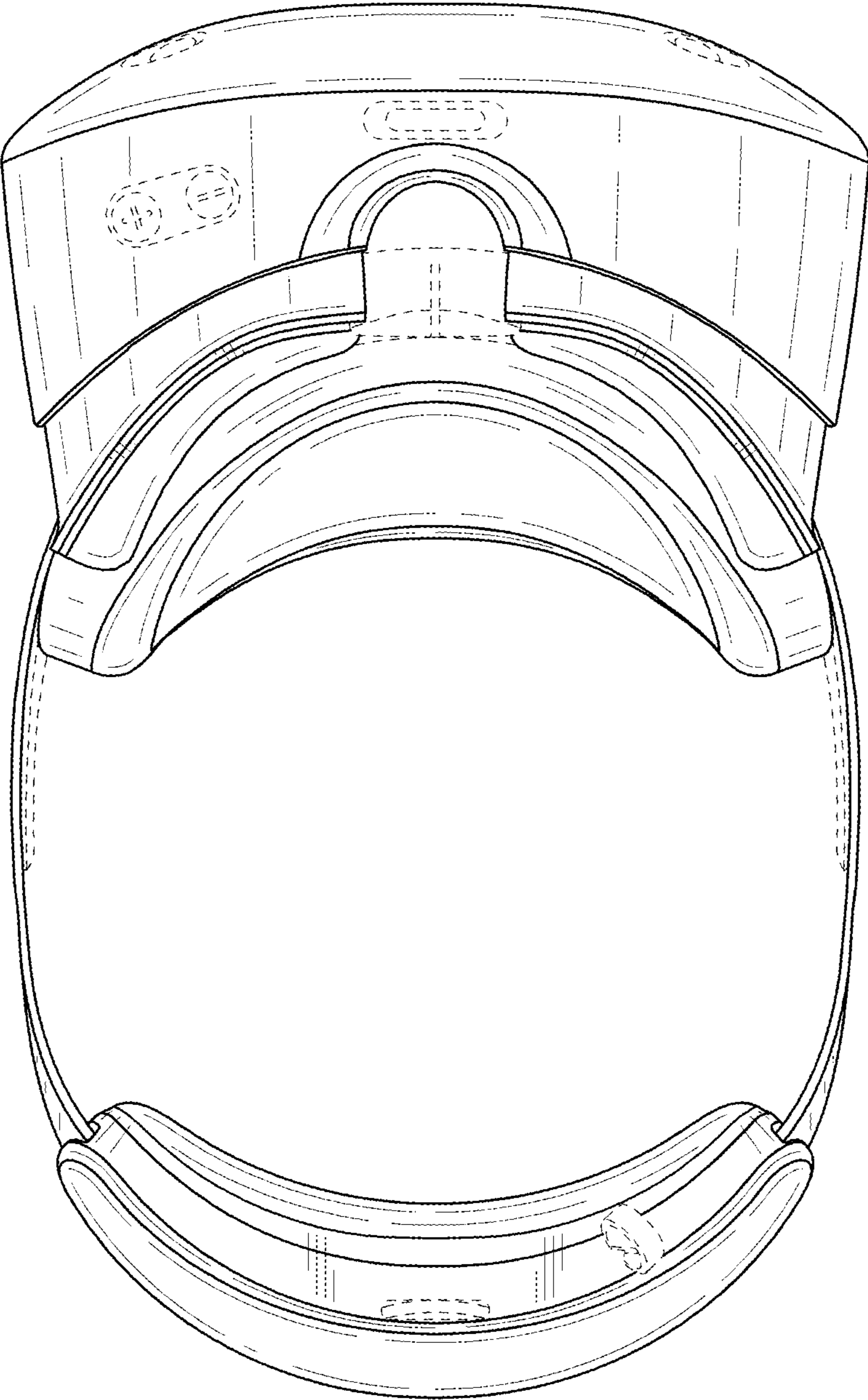


FIG. 8

