



US00D900096S

(12) **United States Design Patent**
Wang et al.

(10) **Patent No.:** **US D900,096 S**
(45) **Date of Patent:** **** Oct. 27, 2020**

(54) **HEAD MOUNTED DISPLAY**
(71) Applicant: **XRSPACE CO., LTD.**, Taoyuan (TW)
(72) Inventors: **Chieh-Kai Wang**, Taichung (TW);
Yen-Hung Lin, Taoyuan (TW)
(73) Assignee: **XRSPACE CO., LTD.**, Taoyuan (TW)
(**) Term: **15 Years**
(21) Appl. No.: **29/696,497**

D867,362 S * 11/2019 Chou D14/372
D872,082 S * 1/2020 Denhez D14/372
D875,094 S * 2/2020 Miller D14/372
D882,568 S * 4/2020 Park D14/372

FOREIGN PATENT DOCUMENTS

CN 303738967 7/2016
CN 304450086 1/2018
CN 304767768 8/2018
CN 304848396 10/2018
TW D196244 3/2019

* cited by examiner

Primary Examiner — Austin Murphy

(74) *Attorney, Agent, or Firm* — JCIP Global Inc.

(22) Filed: **Jun. 28, 2019**
(51) **LOC (12) Cl.** **14-02**
(52) **U.S. Cl.**
USPC **D14/372**
(58) **Field of Classification Search**
USPC D14/372, 496, 432, 371, 126, 129,
D14/299; D16/300–342; 351/158, 153,
351/144; 345/7–9, 905; 455/344;
348/115, 53, 121, 739
CPC G02B 27/017; G02B 27/0158; G02B
27/0161; G02B 27/0181; G02B 27/0185;
G02B 27/0189
See application file for complete search history.

(57) **CLAIM**

The ornamental design for a head mounted display, as shown and described.

DESCRIPTION

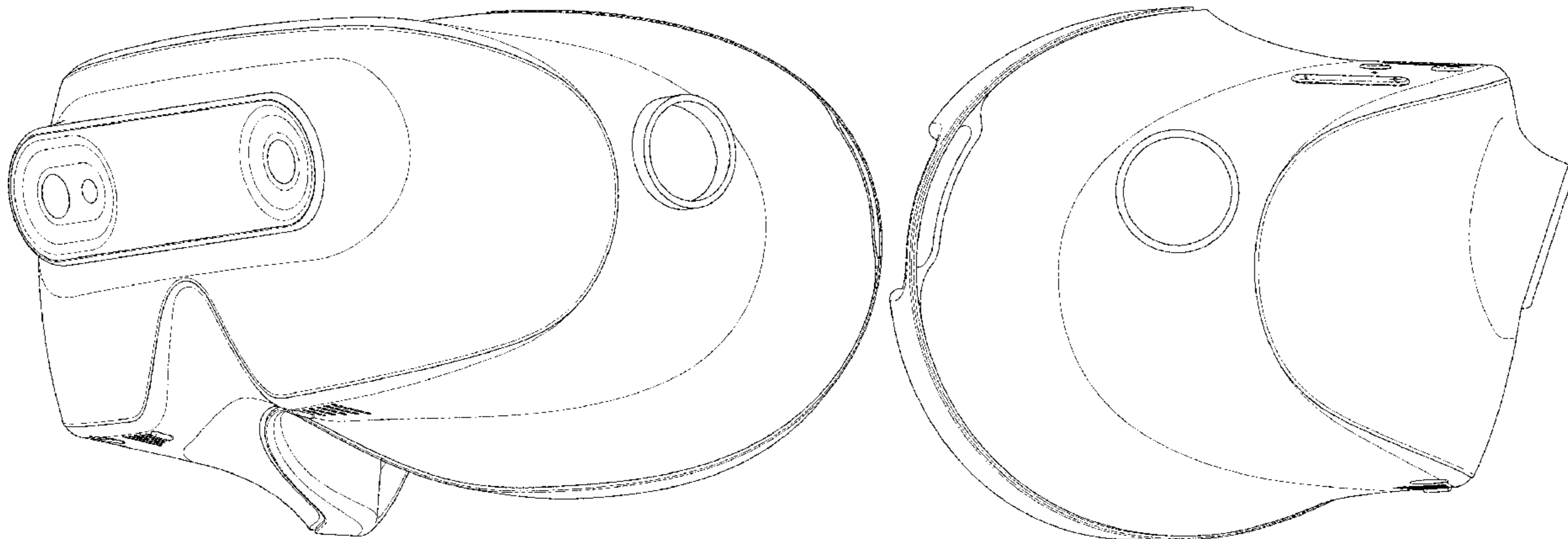
FIG. 1 is a perspective view of a head mounted display showing our new design;
FIG. 2 is another perspective view thereof;
FIG. 3 is a front view thereof;
FIG. 4 is a rear view thereof;
FIG. 5 is a left side view thereof;
FIG. 6 is a right side view thereof;
FIG. 7 is a top view thereof;
FIG. 8 is a bottom view thereof; and,
FIG. 9 is a perspective view thereof with the strap assembled.
The dashed broken lines in FIG. 9 illustrate the strap and form no part of the claimed design.

(56) **References Cited**

U.S. PATENT DOCUMENTS

D834,019 S * 11/2018 Dallmeyer D14/372
D836,628 S * 12/2018 Chen D14/372
D840,399 S * 2/2019 Miller D14/372
D858,521 S * 9/2019 Neil D14/372
D859,406 S * 9/2019 Wei D14/372
D860,199 S * 9/2019 McGinty, Jr. D14/372
D860,200 S * 9/2019 McGinty, Jr. D14/372
D865,763 S * 11/2019 Lau D14/372
D865,764 S * 11/2019 Miller D14/372

1 Claim, 9 Drawing Sheets



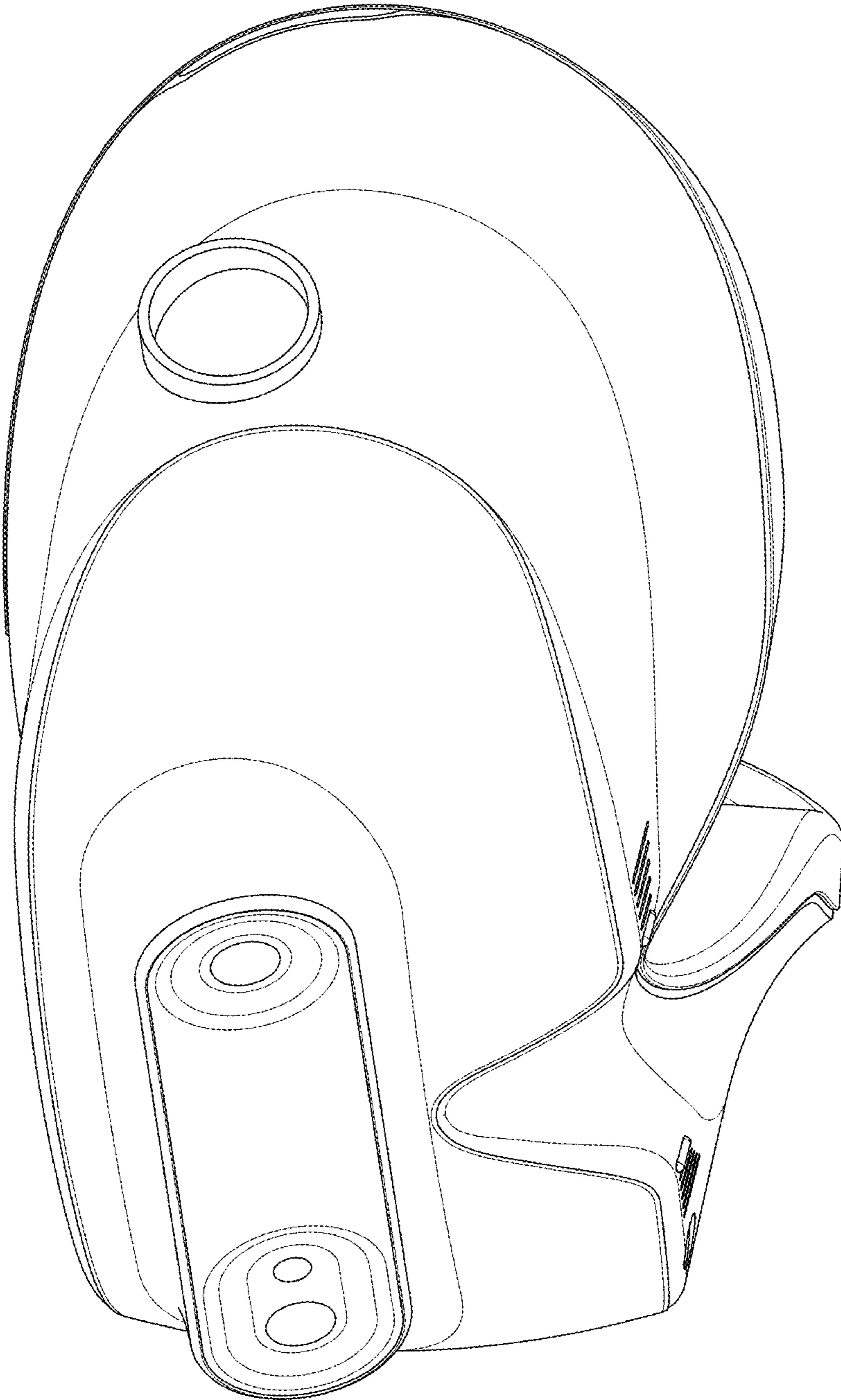


FIG. 1

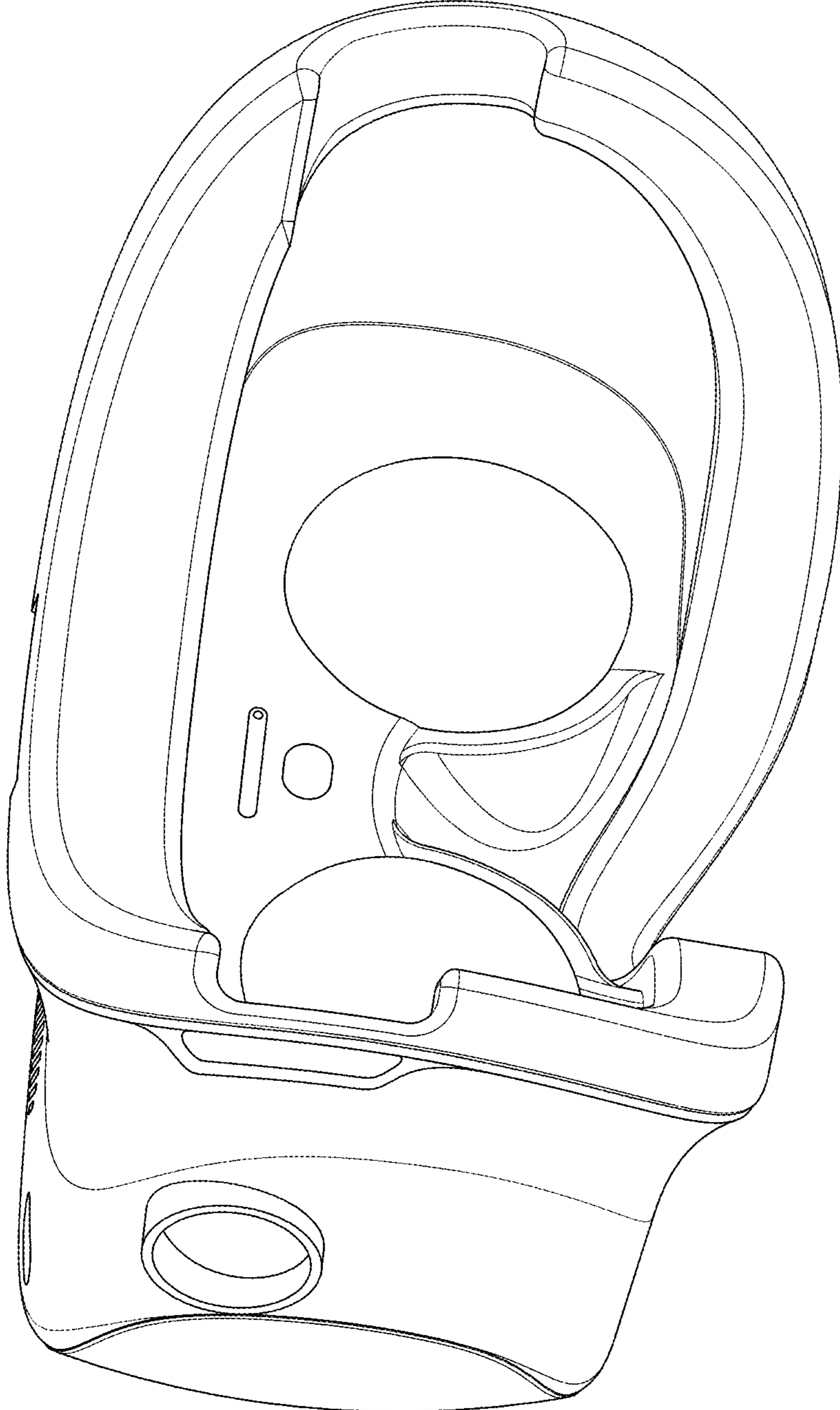


FIG. 2

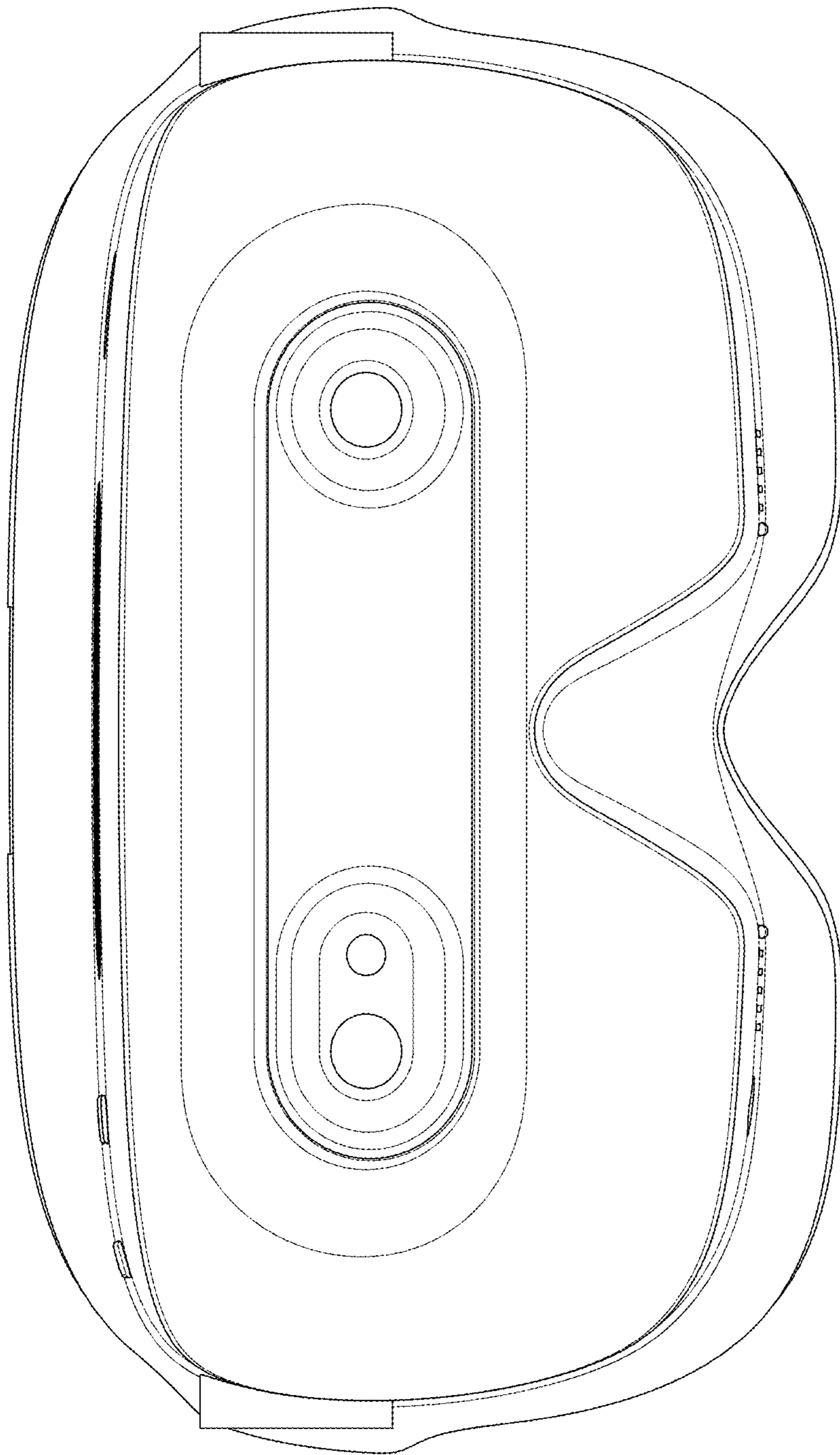


FIG. 3

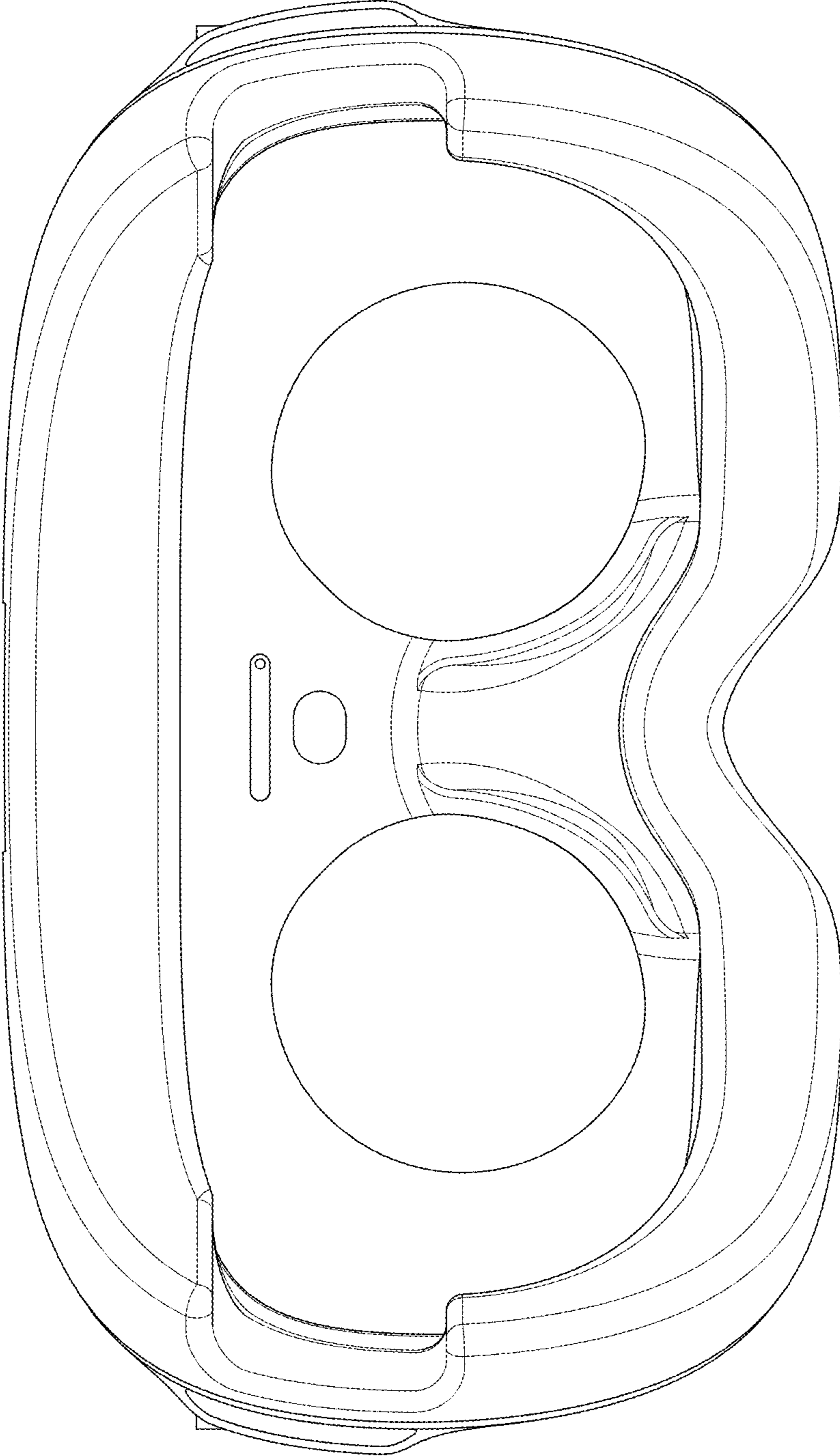


FIG. 4

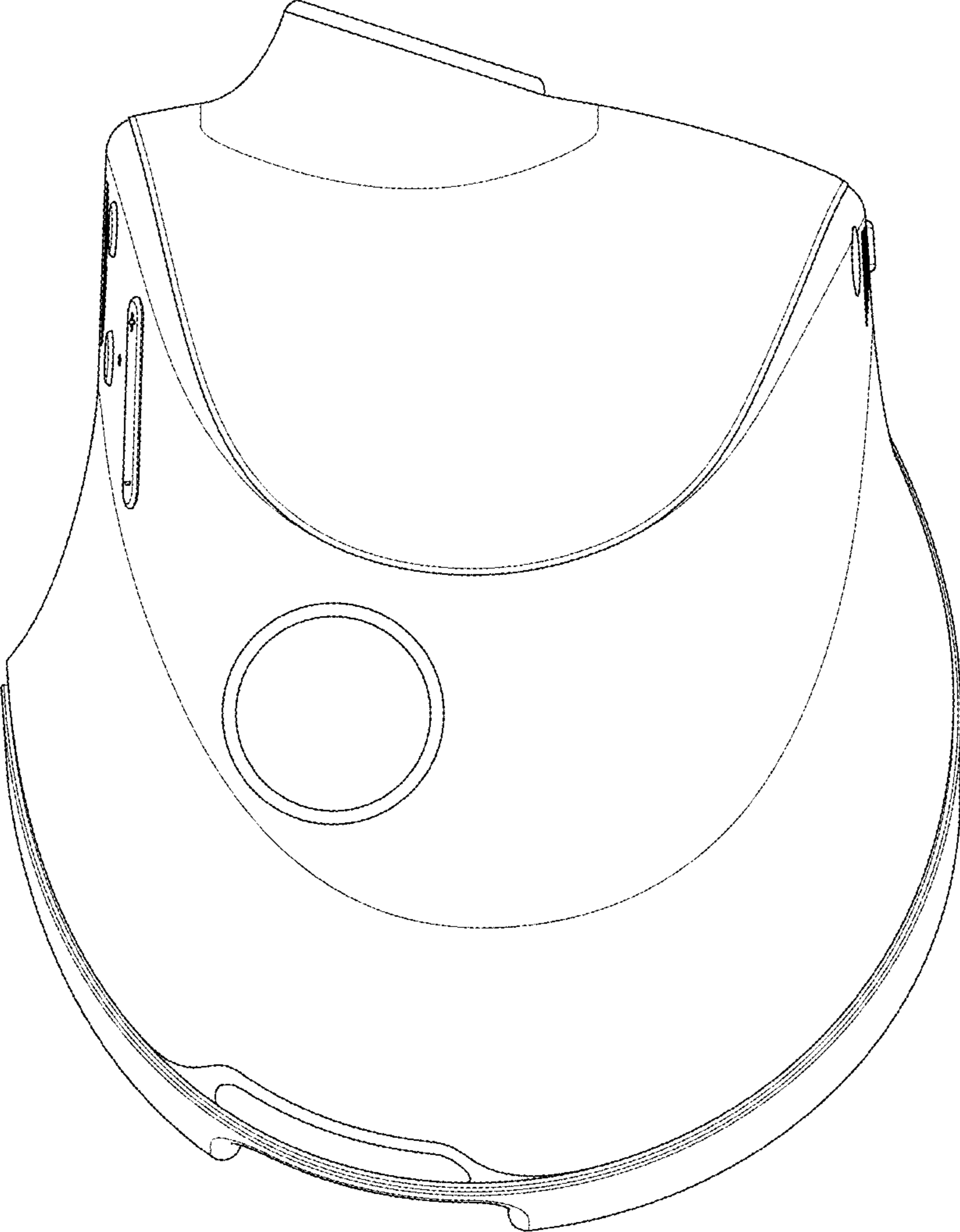


FIG. 5

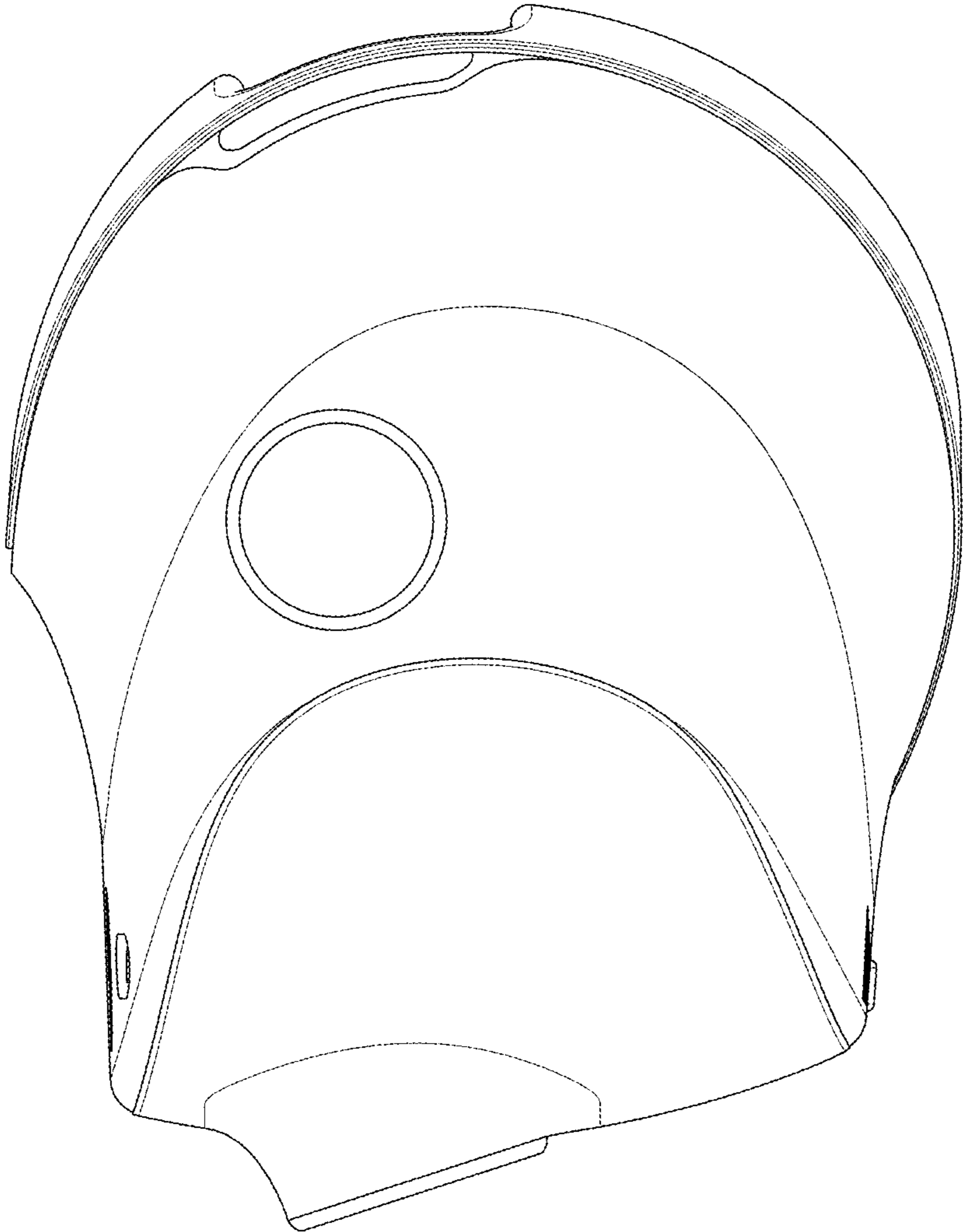


FIG. 6

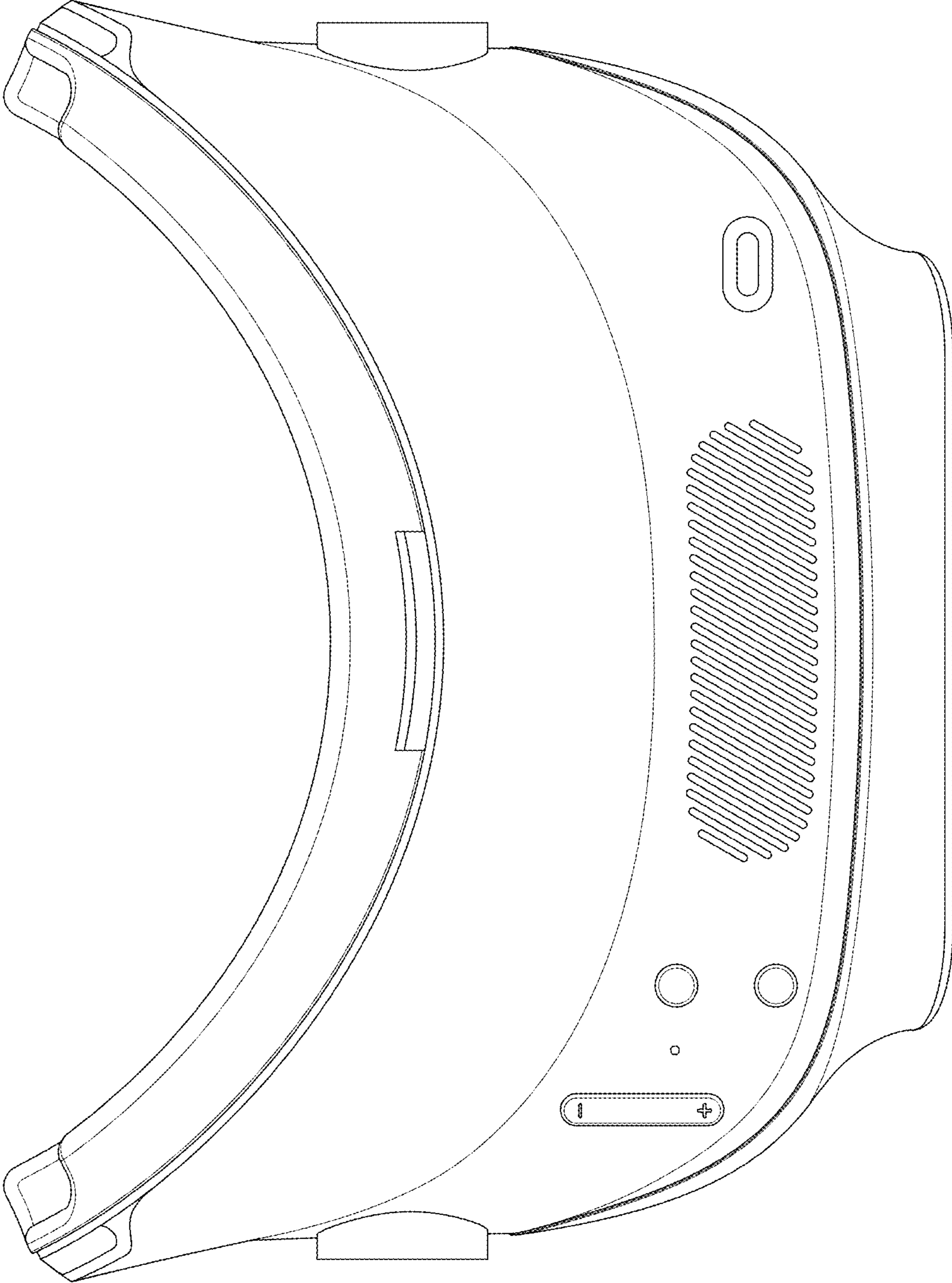


FIG. 7

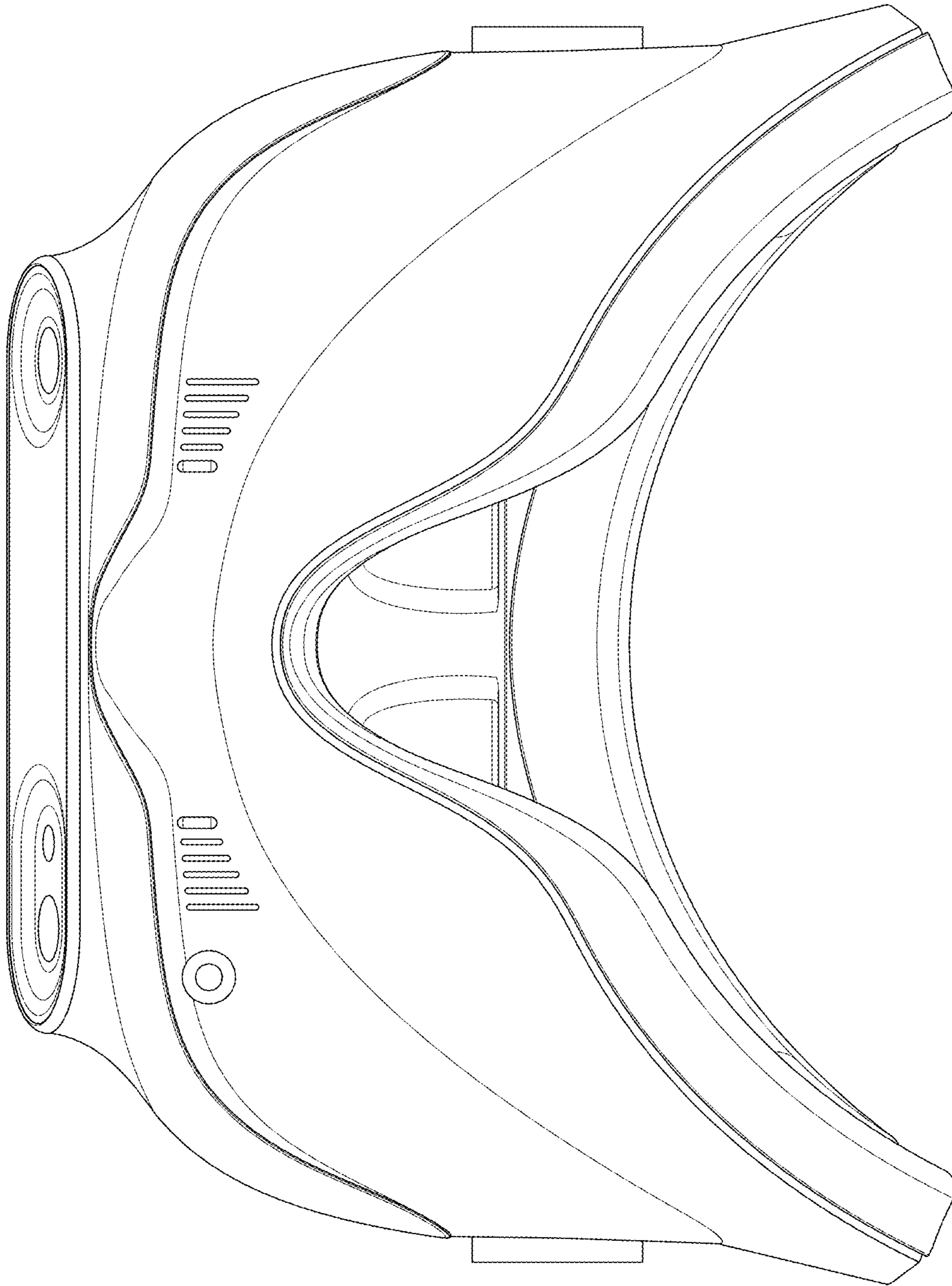


FIG. 8

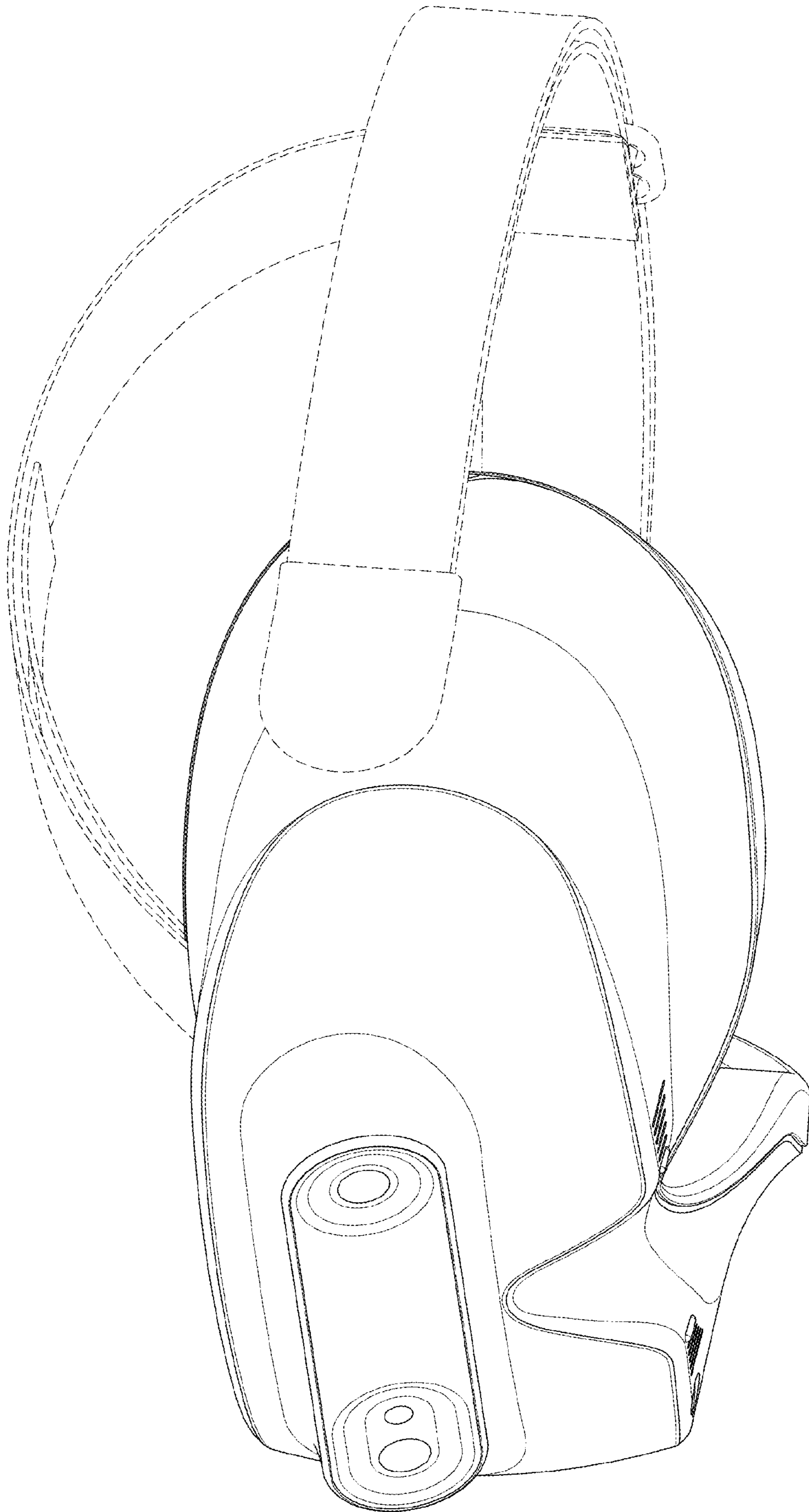


FIG. 9