



US00D900094S

(12) **United States Design Patent** (10) **Patent No.:** **US D900,094 S**
Hluchan et al. (45) **Date of Patent:** **** Oct. 27, 2020**

- (54) **STEREOSCOPIC VIEWER**
- (71) Applicant: **Structural Graphics, LLC**, Essex, CT (US)
- (72) Inventors: **Erik Hluchan**, Deep River, CT (US);
Joseph V. Migliaccio, Old Lyme, CT (US)
- (73) Assignee: **STRUCTURAL GRAPHICS, LLC**, Essex, CT (US)
- (**) Term: **15 Years**
- (21) Appl. No.: **29/695,931**
- (22) Filed: **Jun. 24, 2019**
- (51) **LOC (12) Cl.** **14-02**
- (52) **U.S. Cl.**
USPC **D14/372**
- (58) **Field of Classification Search**
USPC D14/372, 496, 432, 371, 125, 126, 129,
D14/299; D16/300–342; 351/158, 153,
351/144; 345/7–9, 905; 455/344;
348/115, 53, 121, 739
CPC G02B 27/017; G02B 27/0158; G02B
27/0161; G02B 27/0181; G02B 27/0185;
G02B 27/0189
See application file for complete search history.

- D479,260 S 9/2003 Hamamura
- D750,074 S * 2/2016 Coz D14/372
- D757,003 S * 5/2016 Goossens D14/372
- D791,854 S * 7/2017 Bates D16/222
- D792,398 S * 7/2017 Costa D14/372

(Continued)

Primary Examiner — Austin Murphy
(74) *Attorney, Agent, or Firm* — Ware, Fressola, Maguire & Barber LLP

(57) **CLAIM**

The ornamental design for a stereoscopic viewer, as shown and described.

DESCRIPTION

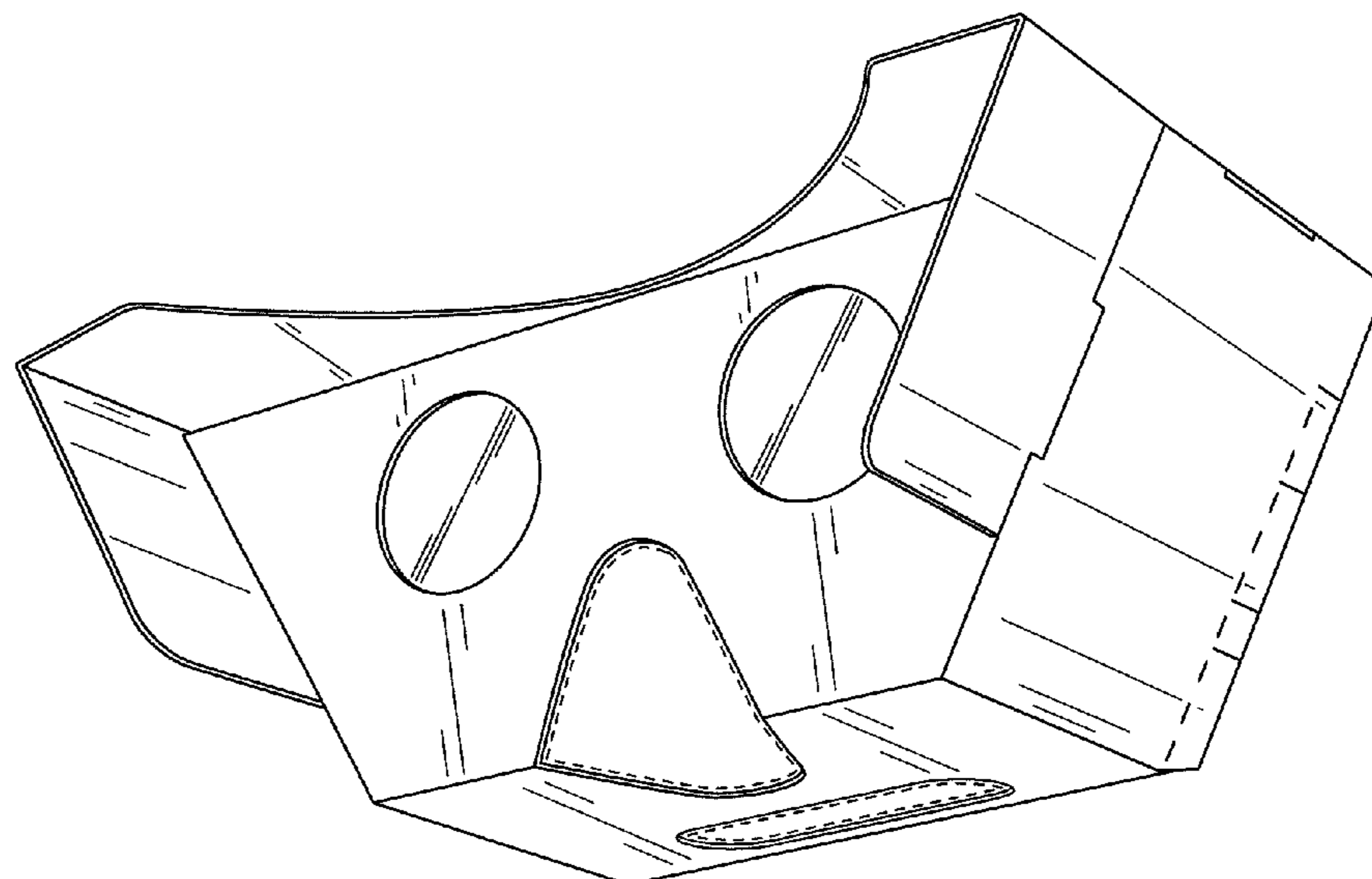
FIG. 1 is a rear perspective view of a stereoscopic viewer showing our new design;
FIG. 2 is a front perspective view of a stereoscopic viewer showing our new design;
FIG. 3 is a rear elevational view thereof;
FIG. 4 is a front elevational view thereof;
FIG. 5 is a right side elevational view thereof;
FIG. 6 is a left side elevational view thereof;
FIG. 7 is a top plan view thereof; and,
FIG. 8 is a bottom plan view thereof.

The broken lines in the drawings illustrate optional portions that do not form an essential part of the claimed design. While the drawings illustrate one or more example embodiments, it should be understood that according to other example embodiments that should be considered to be within the scope of the present disclosure, it is contemplated that any illustrated solid lines (or portions thereof) can be converted to broken lines and that any illustrated broken lines (or portions thereof) can be converted to solid lines to claim or disclaim portions, components, or sub-components of the designs shown. It is further contemplated that shading can be added or removed to claim or disclaim the corresponding surfaces.

1 Claim, 5 Drawing Sheets

(56) **References Cited**
U.S. PATENT DOCUMENTS

- D120,634 S 5/1940 Austin
- 2,282,151 A 5/1942 Austin
- D166,907 S 8/1952 Collins
- D171,049 S 12/1953 Romrell
- 2,666,360 A 1/1954 Collins
- 2,789,460 A 4/1954 Kaufman
- 2,715,853 A 8/1955 Austin
- D181,501 S 11/1957 Somach
- 4,116,533 A 9/1978 Nerlich
- 4,846,553 A 7/1989 Rice



(56)

References Cited

U.S. PATENT DOCUMENTS

D793,390 S * 8/2017 Huang D14/372
9,723,117 B2 * 8/2017 Buckley G06F 3/011
D800,113 S * 10/2017 Wessman D14/372
D800,114 S * 10/2017 Woo D14/372
D806,074 S * 12/2017 Kuwahara D14/372
9,869,865 B2 * 1/2018 Vinzant G02B 27/0176
D853,231 S * 7/2019 Costa D9/420
D873,824 S * 1/2020 Chen D14/372
D892,793 S * 8/2020 Min D14/372
2010/0079356 A1 4/2010 Hoellwarth
2016/0180591 A1 * 6/2016 Shiu G06F 3/013
345/633
2016/0349836 A1 * 12/2016 Goossens G06F 3/01
2017/0031164 A1 * 2/2017 Costa G02B 27/0176

* cited by examiner

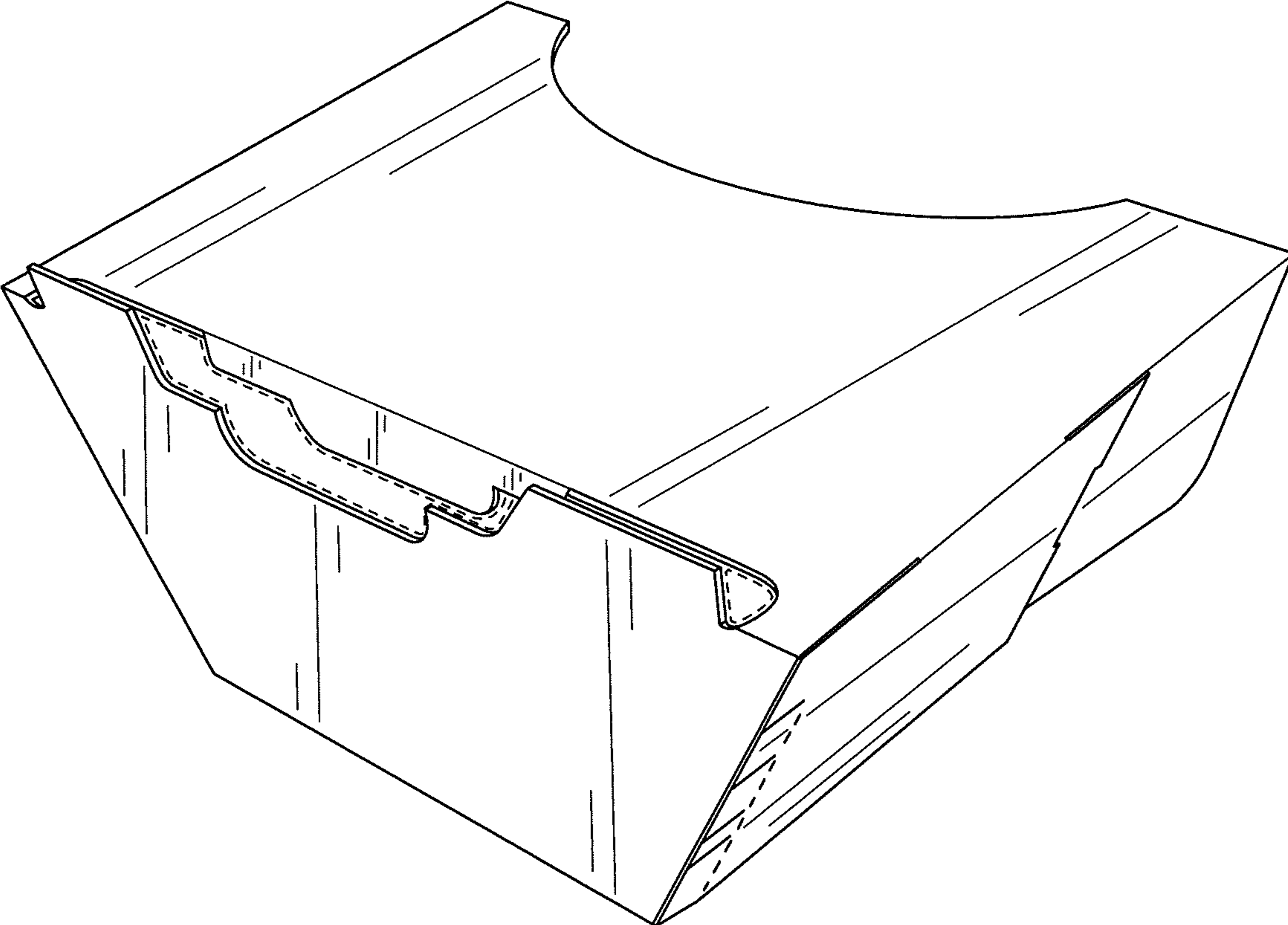


FIG. 1

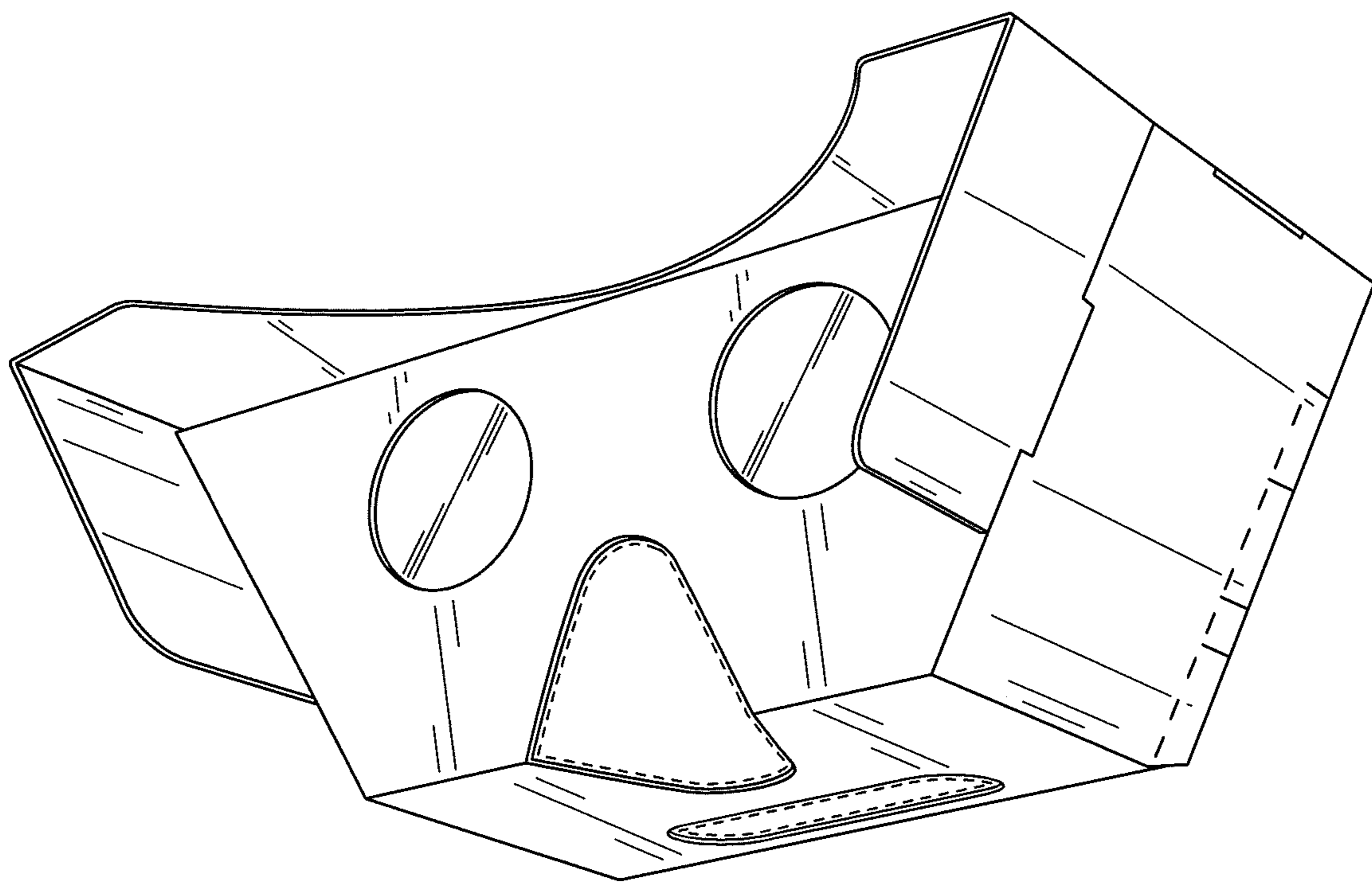


FIG. 2

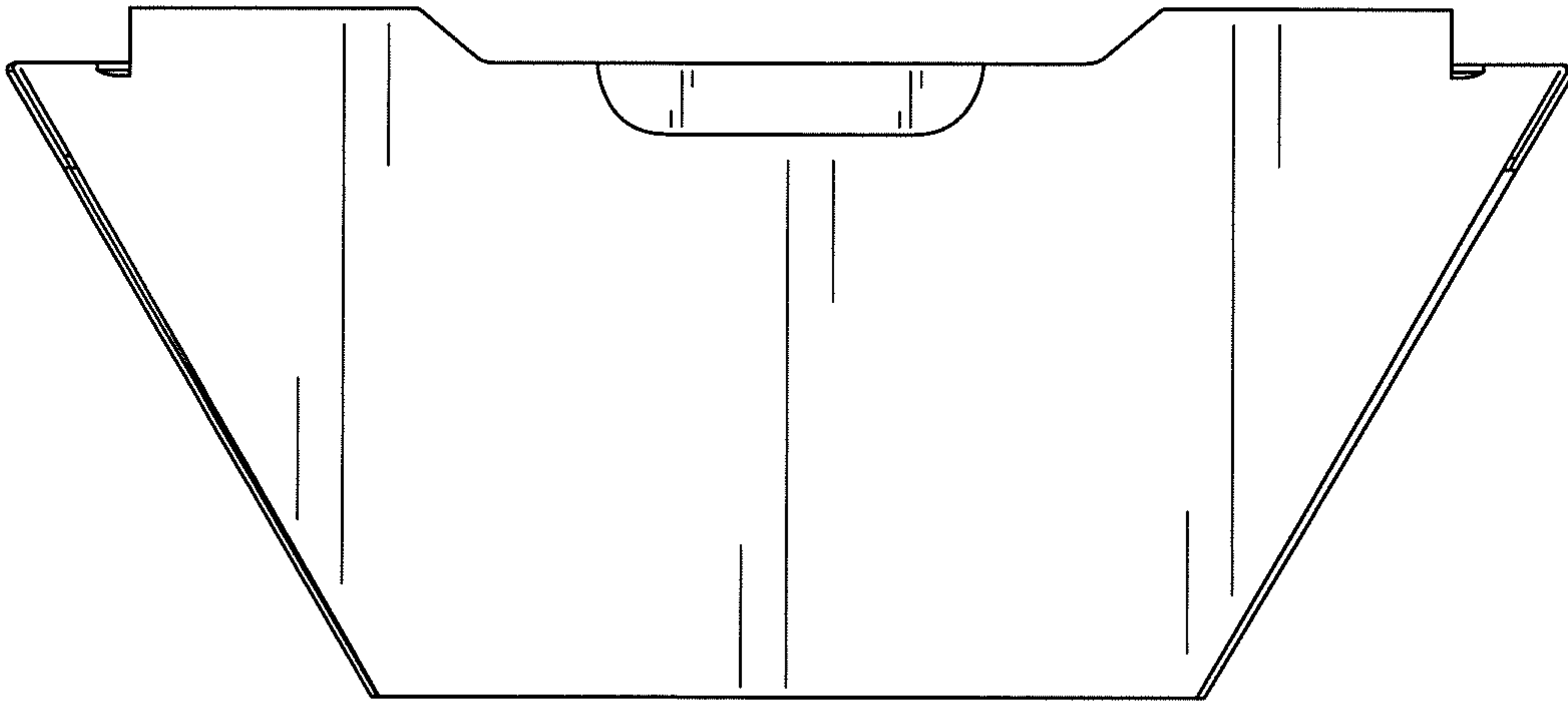


FIG. 3

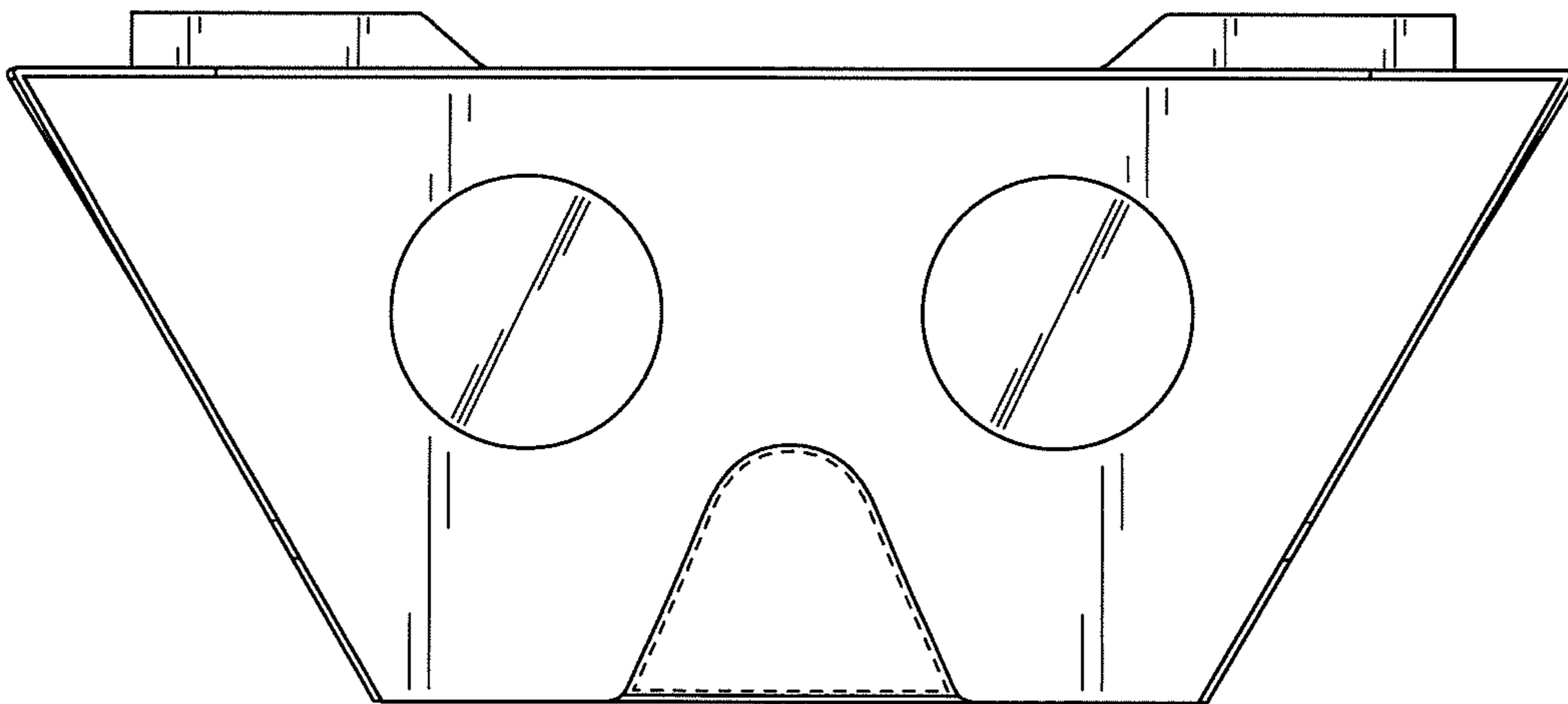


FIG. 4

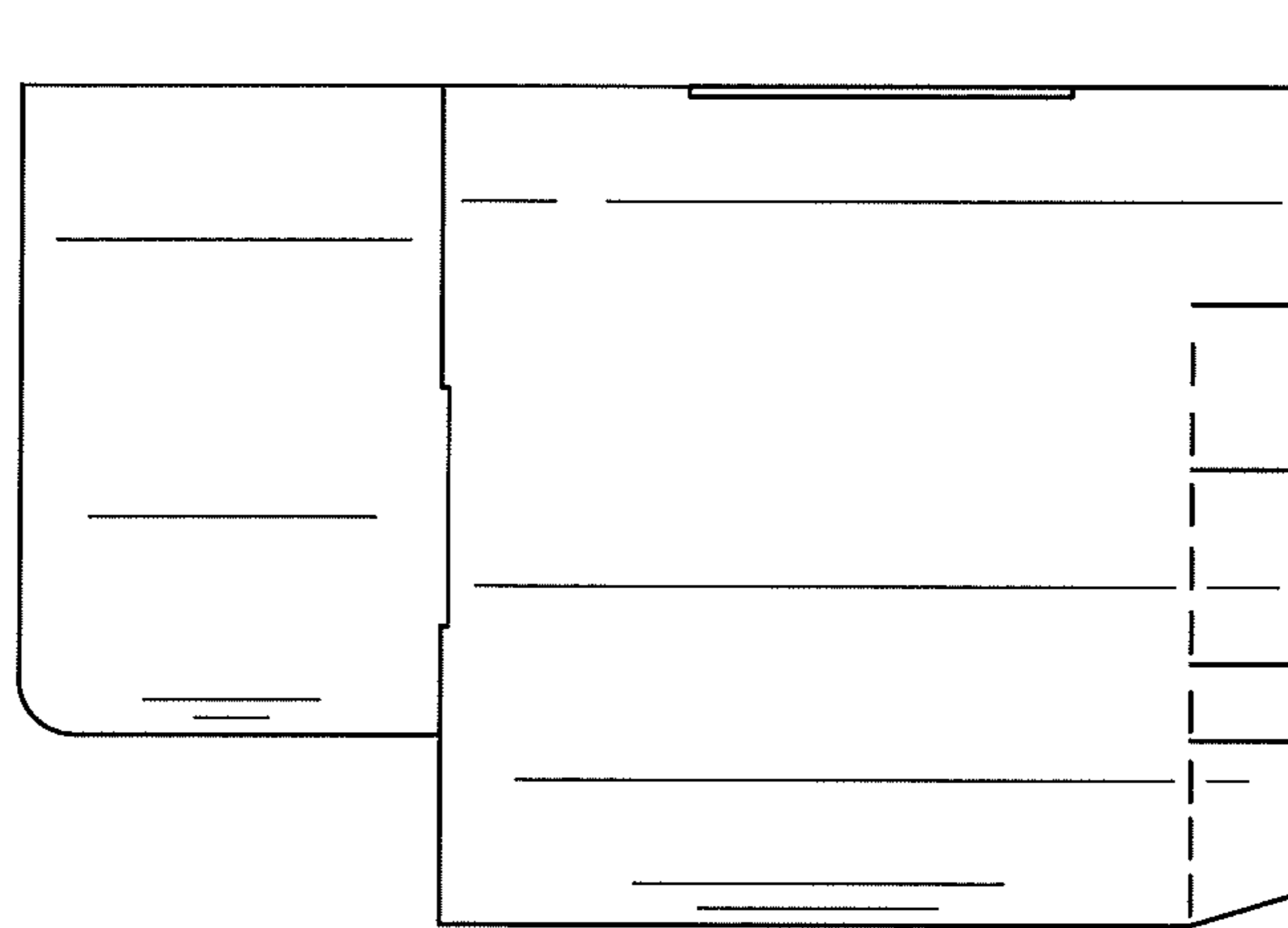


FIG. 5

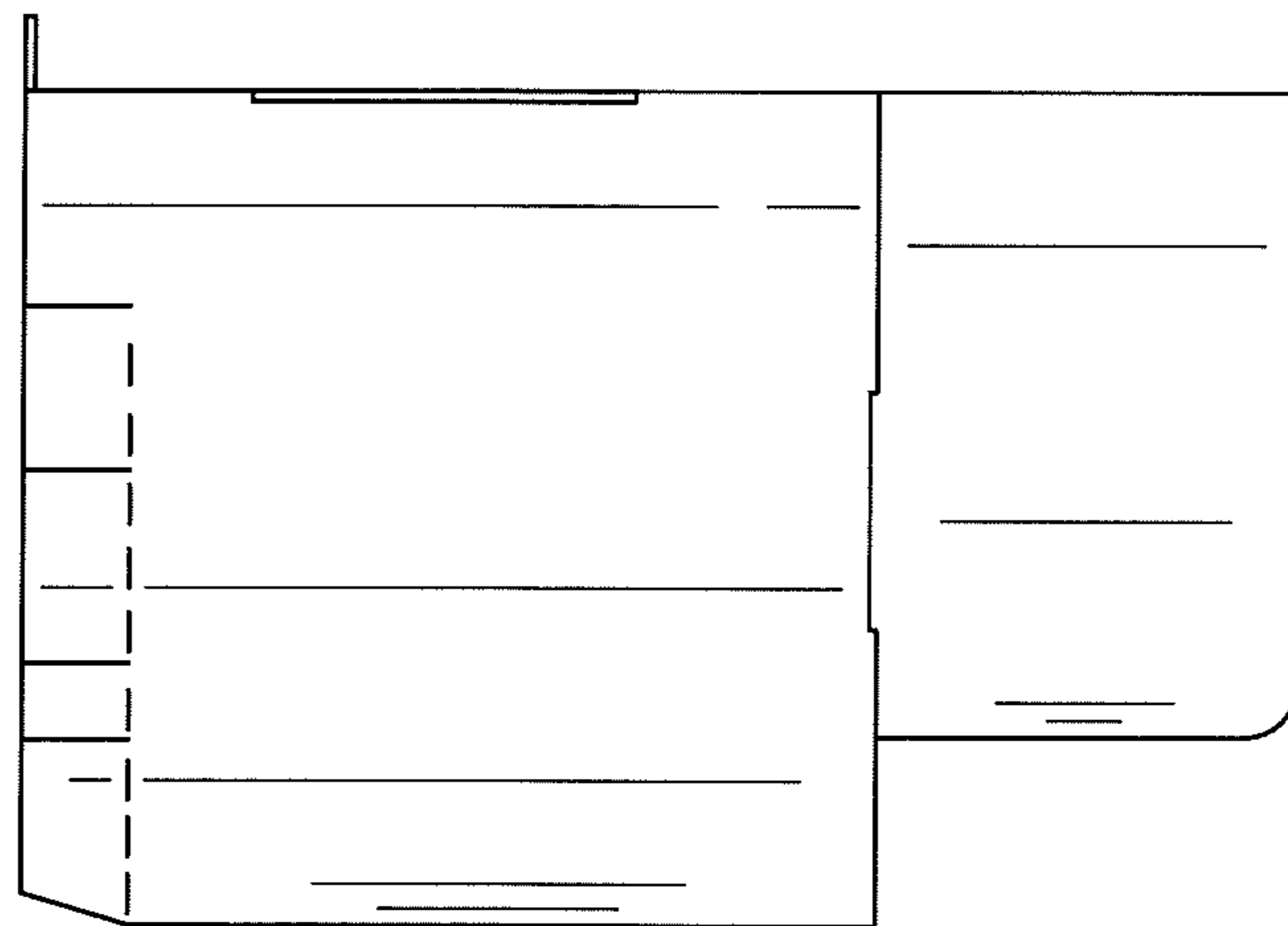


FIG. 6

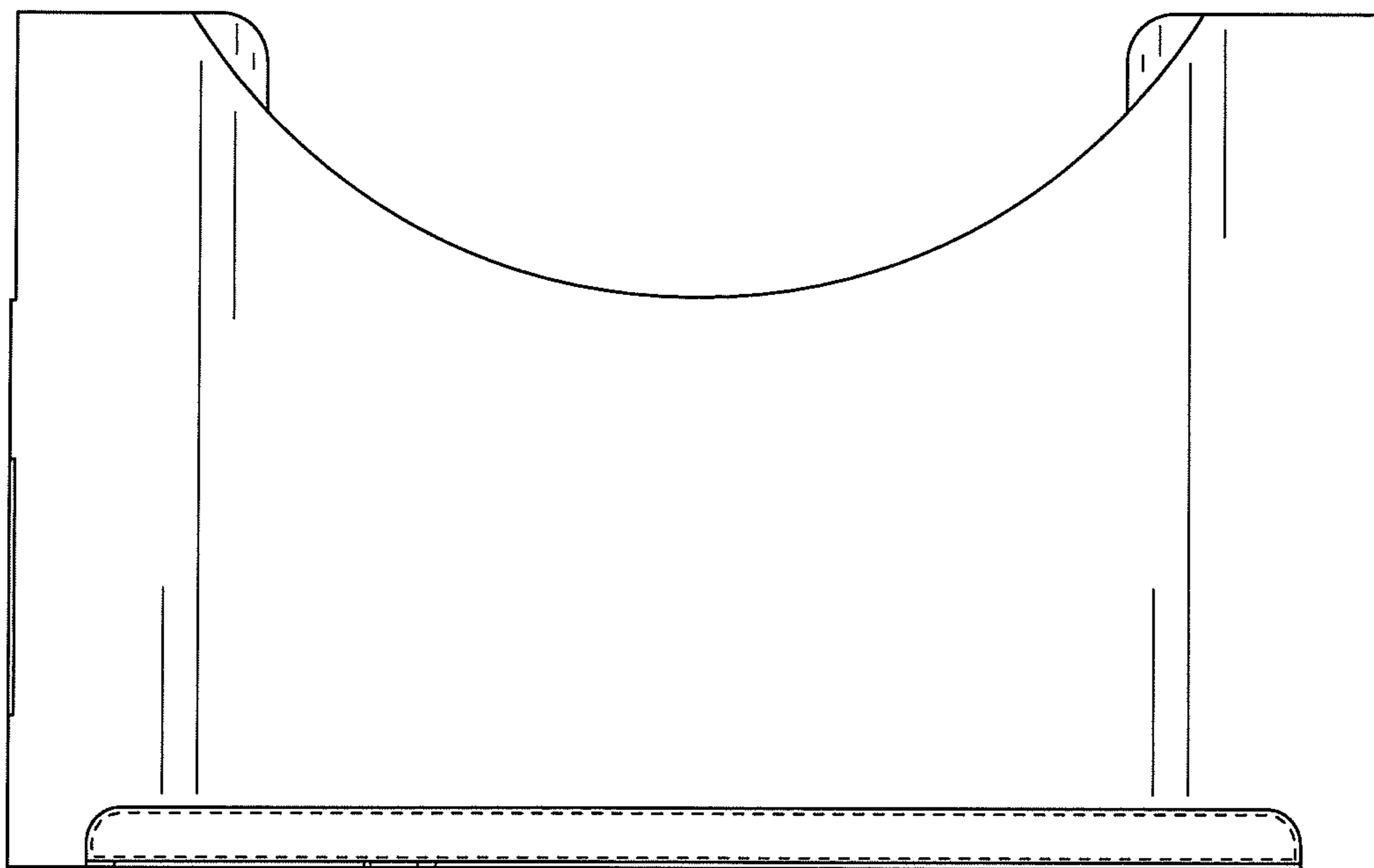


FIG. 7

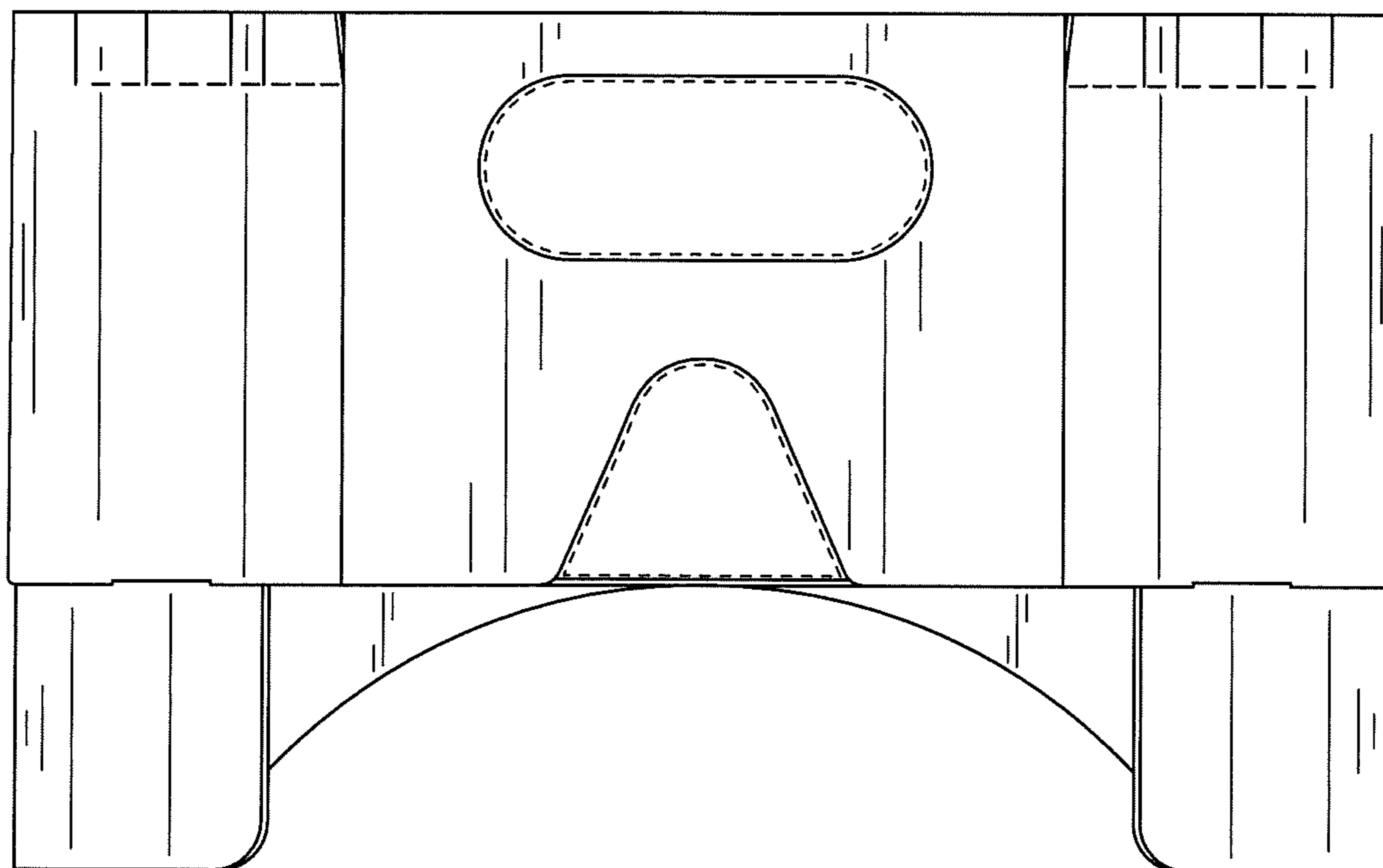


FIG. 8