



US00D900091S

(12) **United States Design Patent** (10) **Patent No.:** **US D900,091 S**
Gocke et al. (45) **Date of Patent:** **** Oct. 27, 2020**

(54) **FIT DISC**
(71) Applicant: **Ogio International, Inc.**, Carlsbad, CA (US)
(72) Inventors: **Tom Gocke**, Carlsbad, CA (US); **Brandon Collette**, Sandy, UT (US)
(73) Assignee: **Ogio International, Inc.**, Carlsbad, CA (US)
(**) Term: **15 Years**
(21) Appl. No.: **29/607,471**
(22) Filed: **Jun. 13, 2017**
(51) **LOC (12) Cl.** **14-02**
(52) **U.S. Cl.**
USPC **D14/344**
(58) **Field of Classification Search**
USPC .. D14/138 R, 144, 341, 344, 358, 388, 218; D10/30-39, 70, 98; D11/3, 4, 26, 93-94, D11/78.1, 79, 86; D24/167, 169, D24/186-187, 164; D3/315, 318, 320, D3/322
CPC A41D 1/002; A41D 19/0034; G06F 1/04; G06F 1/08; G06F 1/10; G06F 1/14; G06F 1/1626; G06F 1/1628; G06F 1/163; G06F 1/1635; G06F 1/3203; G06Q 20/10; G06Q 20/12; G06Q 20/108; G06Q 20/145; H04B 1/3833; H04B 1/385; H04B 1/3888; H04M 1/02; H04M 1/03; H04M 1/04; H04M 1/05; H04M 1/667; H04M 1/6058; Y02B 60/1217
See application file for complete search history.

6,457,620 B1 * 10/2002 Batten A45F 3/047 206/315.3
D552,491 S * 10/2007 Vidal D10/38
D656,415 S * 3/2012 Binda D10/39
8,186,549 B2 * 5/2012 Campbell A63B 55/00 224/576
D690,110 S * 9/2013 Degembe D3/318
D693,701 S * 11/2013 Rufenacht D10/39
D704,573 S * 5/2014 Tedeschi D10/39
D707,448 S * 6/2014 Enes D3/318
D707,449 S * 6/2014 Enes D3/318
D707,450 S * 6/2014 Enes D3/318
D733,578 S * 7/2015 Ikezu D10/30
D735,586 S * 8/2015 Stegmann D10/30
D735,997 S * 8/2015 Behringer D3/315
D741,066 S * 10/2015 Abdi D3/318
D758,078 S * 6/2016 Enes D3/327
D765,400 S * 9/2016 Hancock D3/315
D781,159 S * 3/2017 Goto D10/38
D804,183 S * 12/2017 Grote D3/318

(Continued)

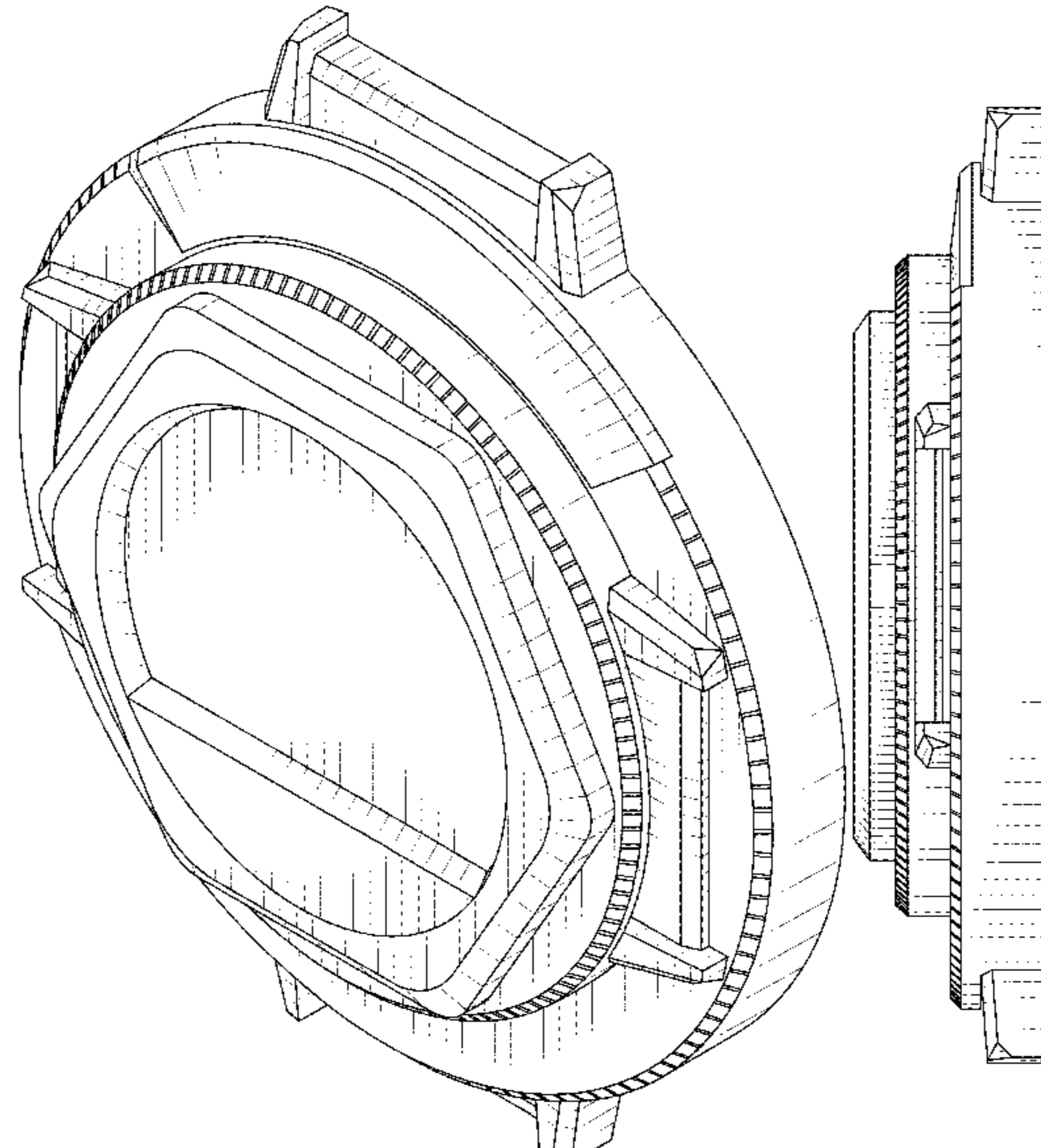
Primary Examiner — Shannon W Morgan
Assistant Examiner — Kristin E Reed
(74) *Attorney, Agent, or Firm* — Rebecca Hanovice; Michael Catania; Sonia Lari

(57) **CLAIM**
The ornamental design for a fit disc, as shown and described.

DESCRIPTION
FIG. 1 is a side perspective view of the a fit disc claimed herein;
FIG. 2 is a front elevational view thereof;
FIG. 3 is a rear elevational view thereof;
FIG. 4 is a left side elevational view thereof;
FIG. 5 is a right side elevational view thereof;
FIG. 6 is a top elevational view thereof; and,
FIG. 7 is a bottom elevational view thereof.
The broken lines in the drawings depict portions of the fit disc that form no part of the claimed design.

(56) **References Cited**
U.S. PATENT DOCUMENTS
D353,105 S * 12/1994 Houlihan D10/30
D417,158 S * 11/1999 Krauss D10/30

1 Claim, 5 Drawing Sheets



(56)

References Cited

U.S. PATENT DOCUMENTS

D809,510	S *	2/2018	Rochat	D14/344
D810,443	S *	2/2018	Burgess	D3/318
D812,498	S *	3/2018	Lacroix-Gachet	D10/32
D827,639	S *	9/2018	Jung	D14/344
D843,851	S *	3/2019	Manzoni	D10/30
D844,994	S *	4/2019	Pacha	D3/327
2010/0135128	A1 *	6/2010	Penula	368/281
2012/0075964	A1 *	3/2012	Hirayama	G04B 37/084 368/281
2017/0020453	A1 *	1/2017	Nakagawa	A61B 5/681

* cited by examiner

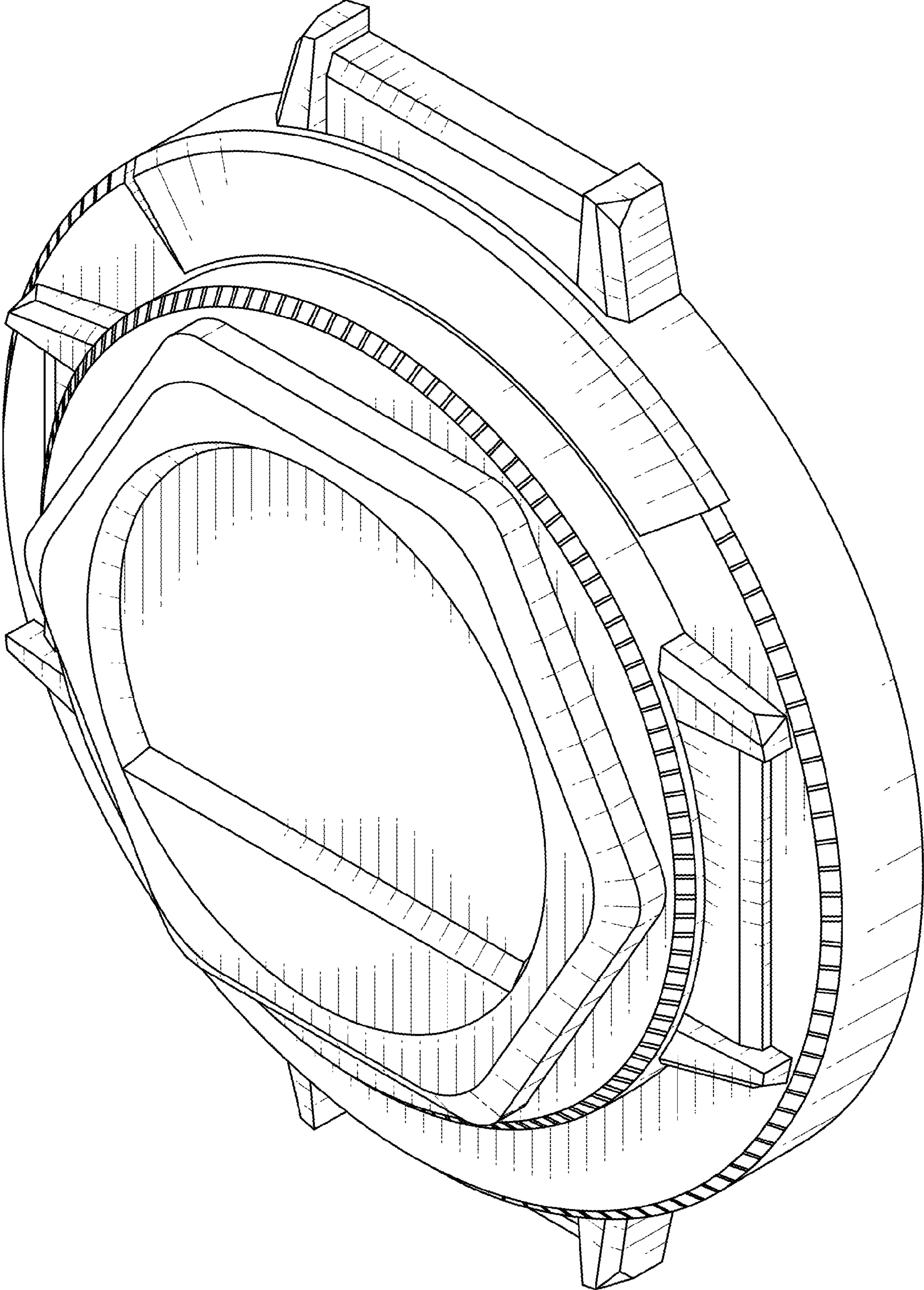


FIG. 1

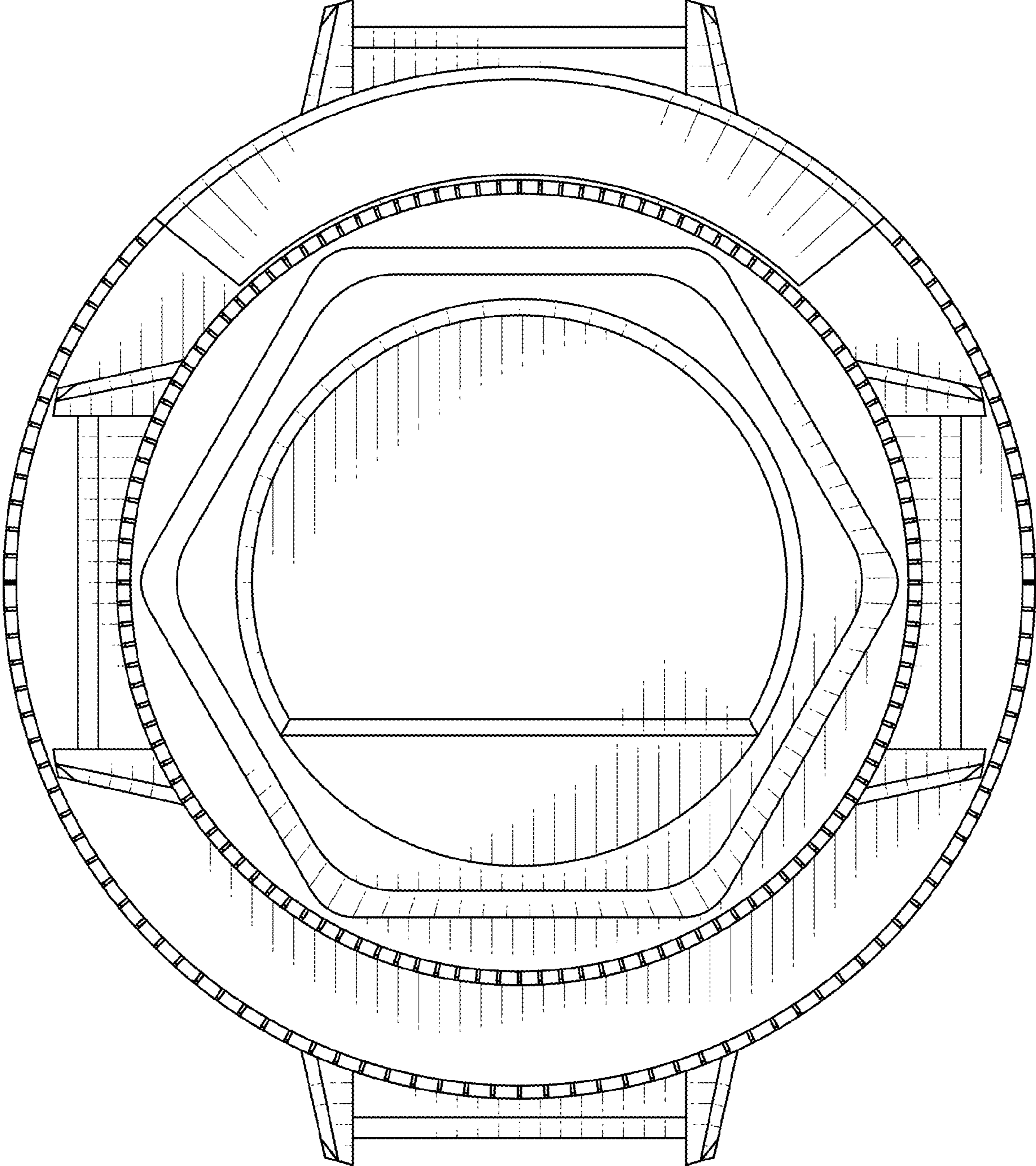


FIG. 2

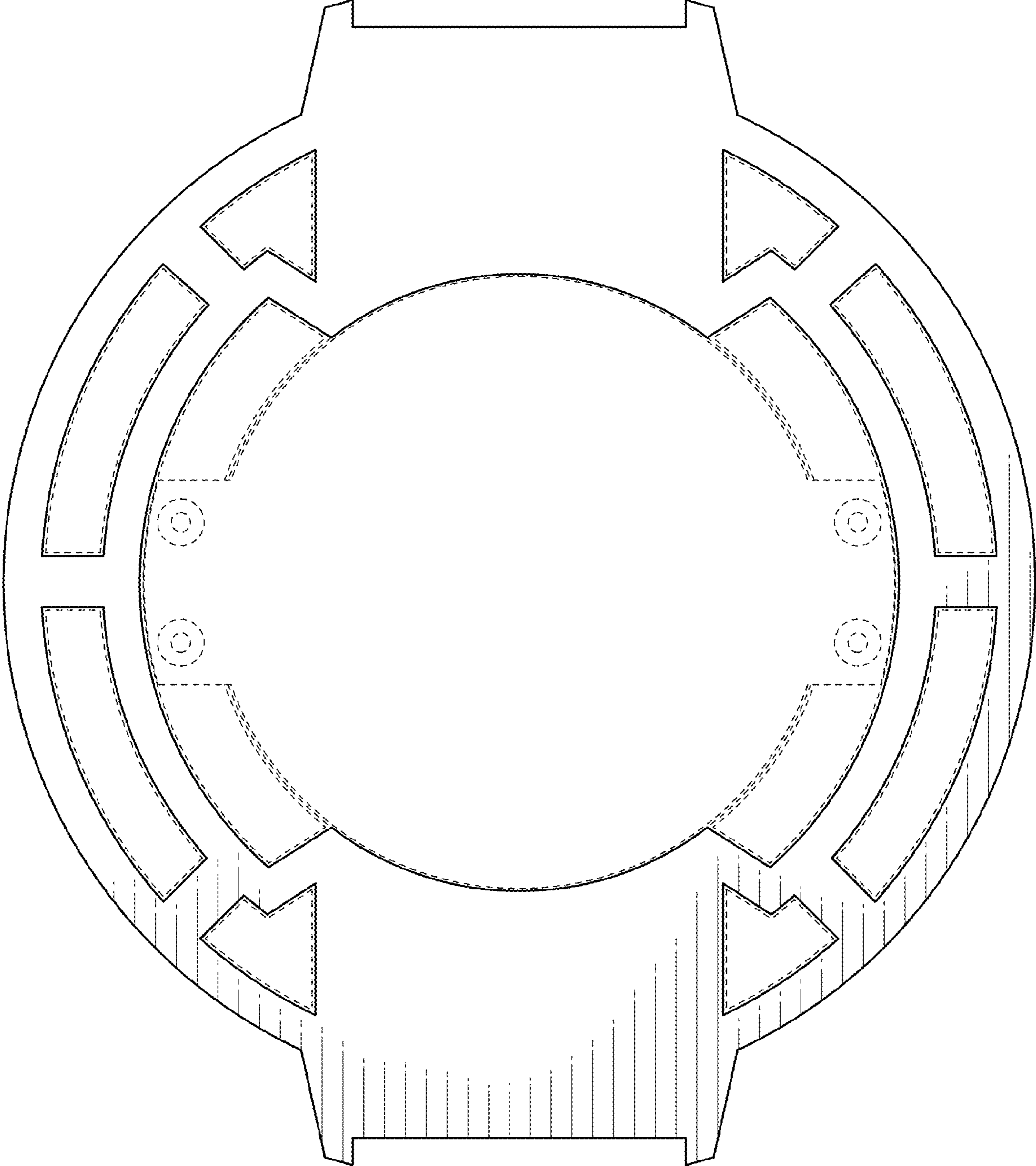


FIG. 3

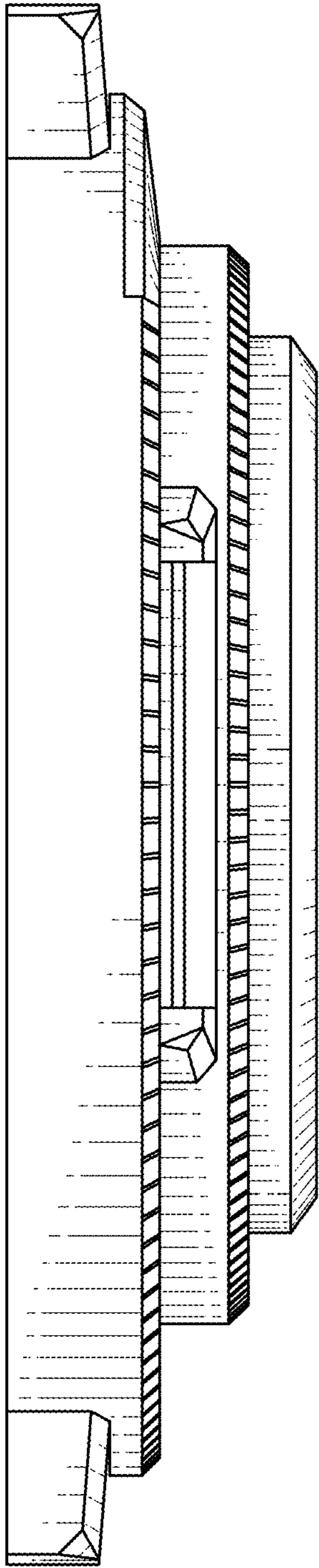


FIG. 4

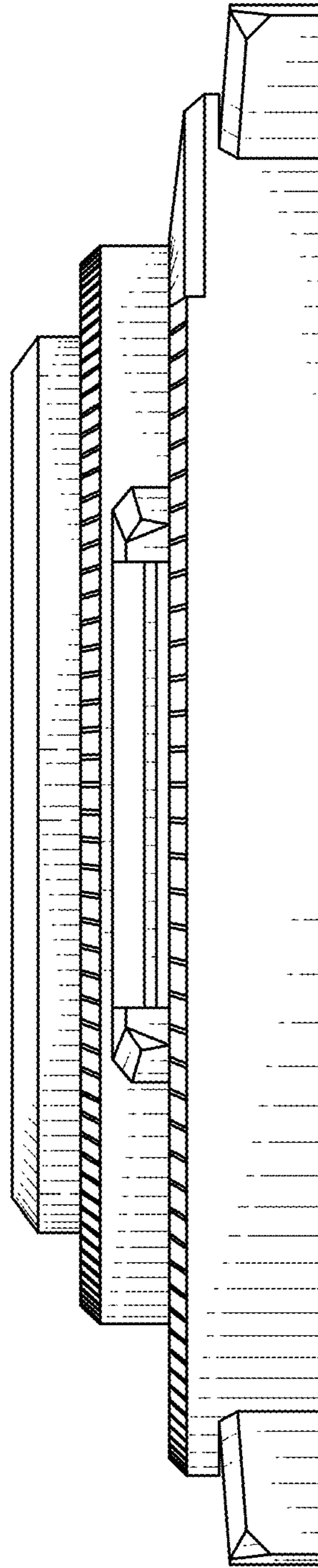


FIG. 5

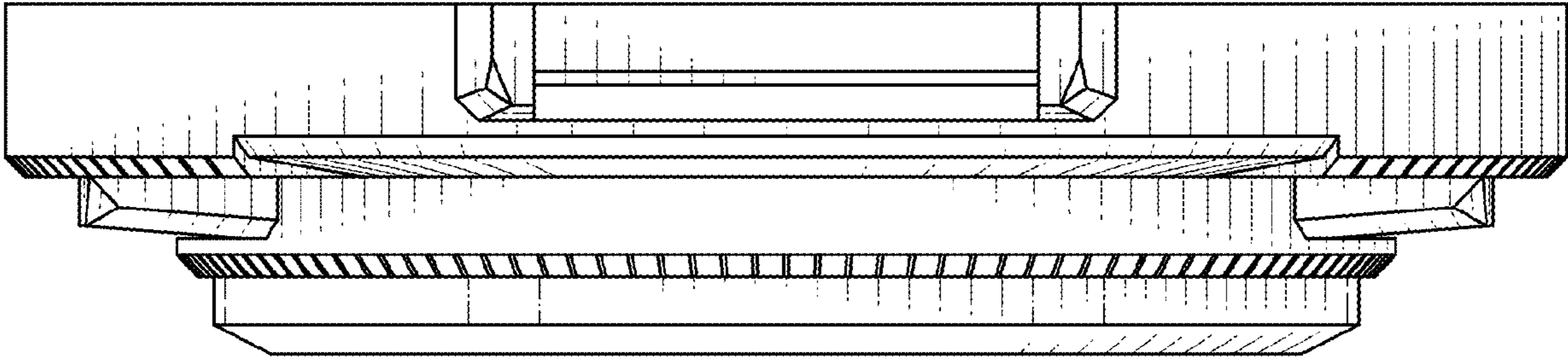


FIG. 6

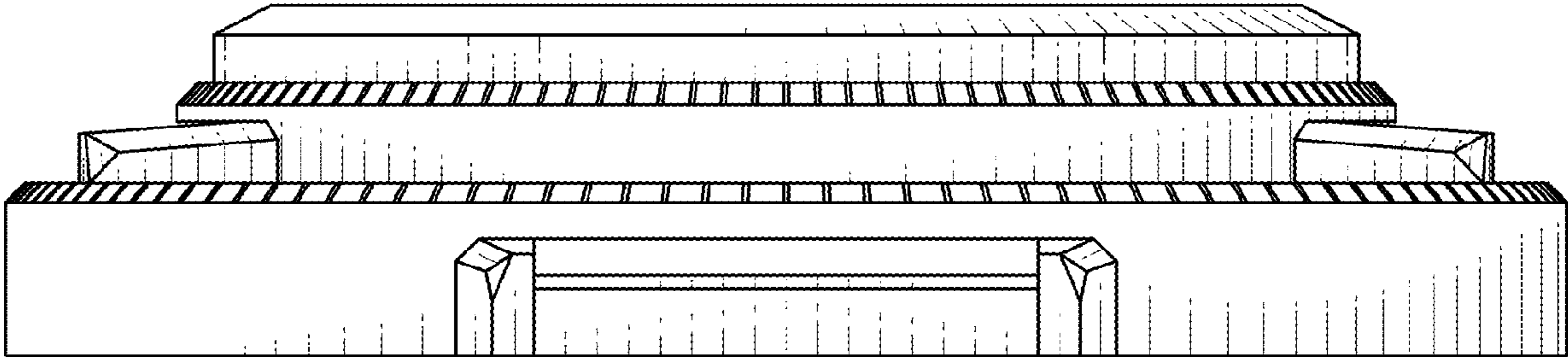


FIG. 7