



US00D900087S

(12) **United States Design Patent**
Leeds-Frank et al.

(10) **Patent No.:** **US D900,087 S**

(45) **Date of Patent:** **** Oct. 27, 2020**

(54) **COMBINED MOUNT AND HOLDER FOR MOBILE DEVICE**

(71) Applicant: **iOttie, Inc.**, New York, NY (US)

(72) Inventors: **Jeremy Leeds-Frank**, Glen Cove, NY (US); **Jeremy Michael Connell**, Brooklyn, NY (US); **Carlyle Patrick Yarbough**, Astoria, NY (US)

(73) Assignee: **IOTTIE, INC.**, New York, NY (US)

(**) Term: **15 Years**

(21) Appl. No.: **29/624,632**

(22) Filed: **Nov. 2, 2017**

(51) **LOC (12) Cl.** **14-03**

(52) **U.S. Cl.**
USPC **D14/253**

(58) **Field of Classification Search**
USPC D14/251–253, 447; D12/415; D3/218; D8/349
CPC H04M 1/02; H04M 1/04; B60R 11/02; F16M 11/00; F16M 11/04; F16M 11/06
See application file for complete search history.

(56) **References Cited**

U.S. PATENT DOCUMENTS

D456,024 S *	4/2002	Richter	D14/434
D685,379 S *	7/2013	Richter	D14/253
D685,380 S *	7/2013	Richter	D14/253
D718,297 S *	11/2014	Aspinall	D14/253
D732,013 S *	6/2015	Aspinall	D14/253
D748,087 S *	1/2016	Lee	D14/251
D750,612 S *	3/2016	Chen	D14/253
D752,571 S *	3/2016	Richter	D14/253
D772,218 S *	11/2016	Alesi	D14/253
D784,923 S *	4/2017	Song	D13/108
D799,466 S *	10/2017	Sukphist	D14/253

D817,317 S *	5/2018	Lee	D14/253
D832,248 S *	10/2018	Sukphist	D14/253
D864,185 S *	10/2019	Chen	D14/253
2012/0267406 A1 *	10/2012	Fan	B60R 11/02 224/482

* cited by examiner

Primary Examiner — Janice Hallmark

(74) *Attorney, Agent, or Firm* — Lucas & Mercant, LLP

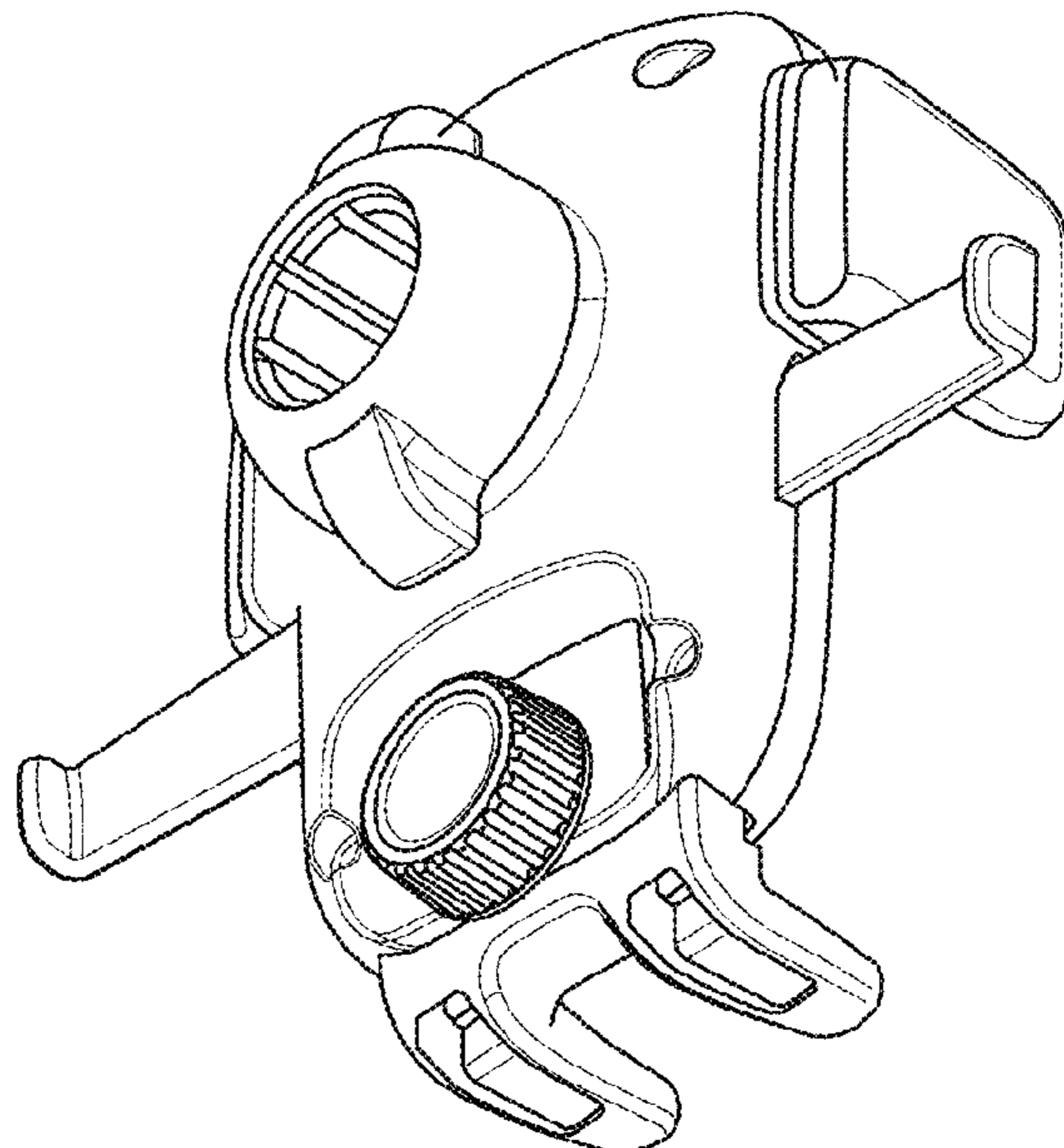
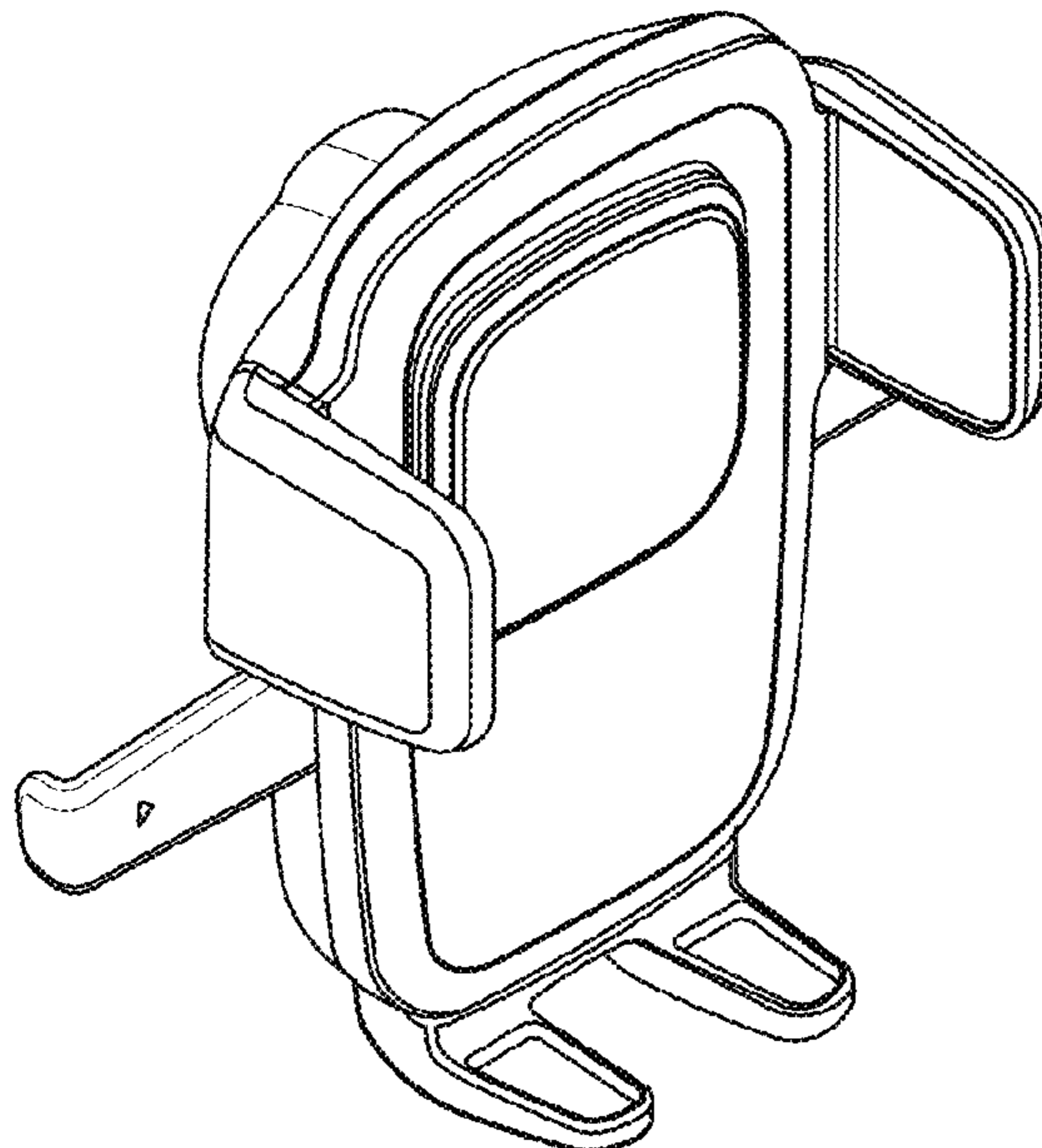
(57) **CLAIM**

The ornamental design for a combined mount and holder for mobile device, as shown and described.

DESCRIPTION

FIG. 1 is a front view of our new design for a combined mount and holder for mobile device;
 FIG. 2 is a rear view thereof;
 FIG. 3 is a right side view thereof;
 FIG. 4 is a left side view thereof;
 FIG. 5 is a top view thereof, wherein the side arms and bottom arms are extended;
 FIG. 6 is a bottom view thereof, wherein the side arms and bottom arms are extended;
 FIG. 7 is a front perspective view thereof;
 FIG. 8 is a rear perspective view thereof;
 FIG. 9 is a front view thereof, wherein the side arms and bottom arms are extended;
 FIG. 10 is a rear view thereof, wherein the side arms and bottom arms are extended;
 FIG. 11 is a top view thereof, wherein the side arms and bottom arms are extended;
 FIG. 12 is a bottom view thereof, wherein the side arms and bottom arms are extended;
 FIG. 13 is a front perspective view thereof, wherein the side arms and bottom arms are extended; and,
 FIG. 14 is a rear perspective view thereof, wherein the side arms and bottom arms are extended.

1 Claim, 14 Drawing Sheets



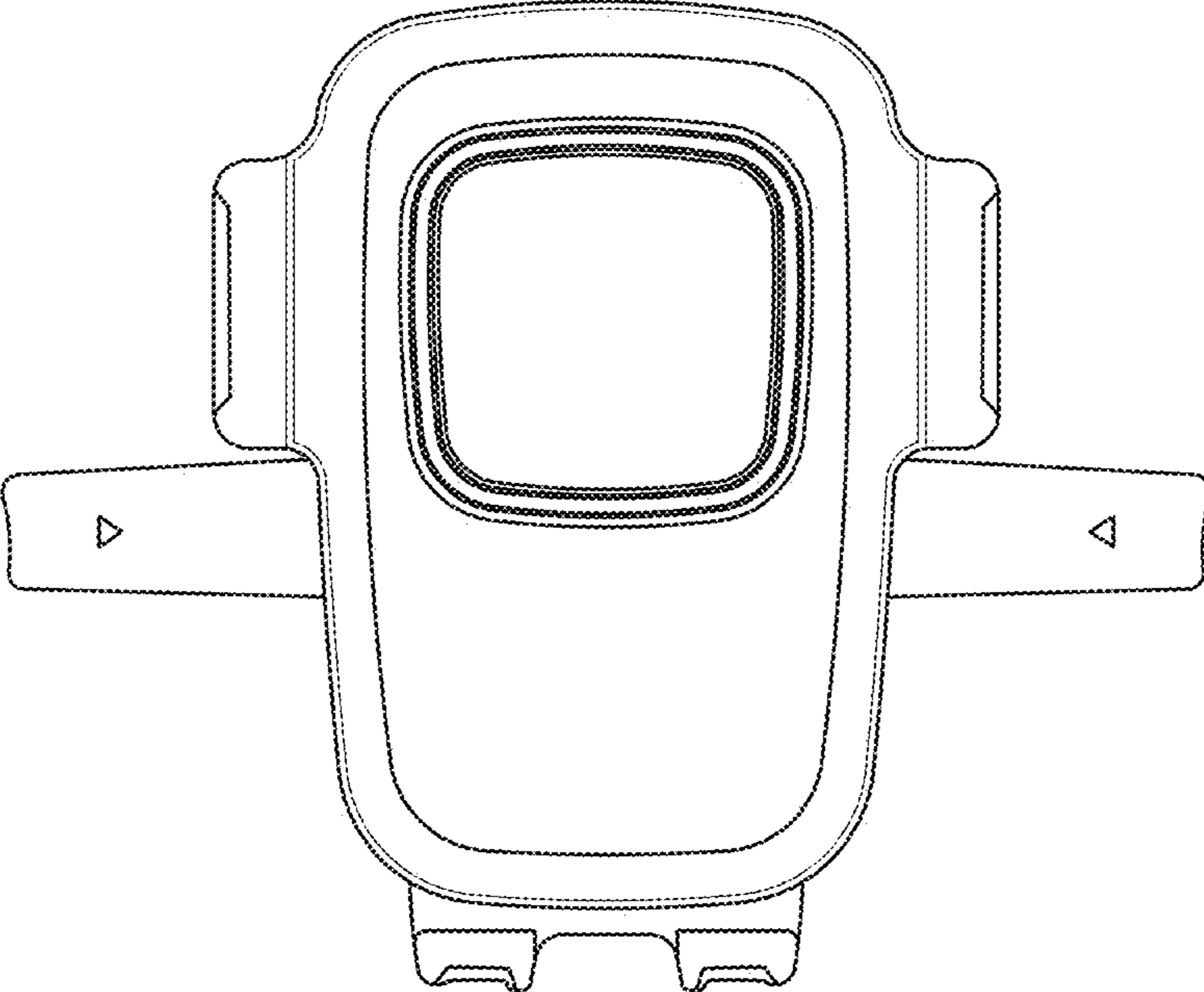


FIG. 1

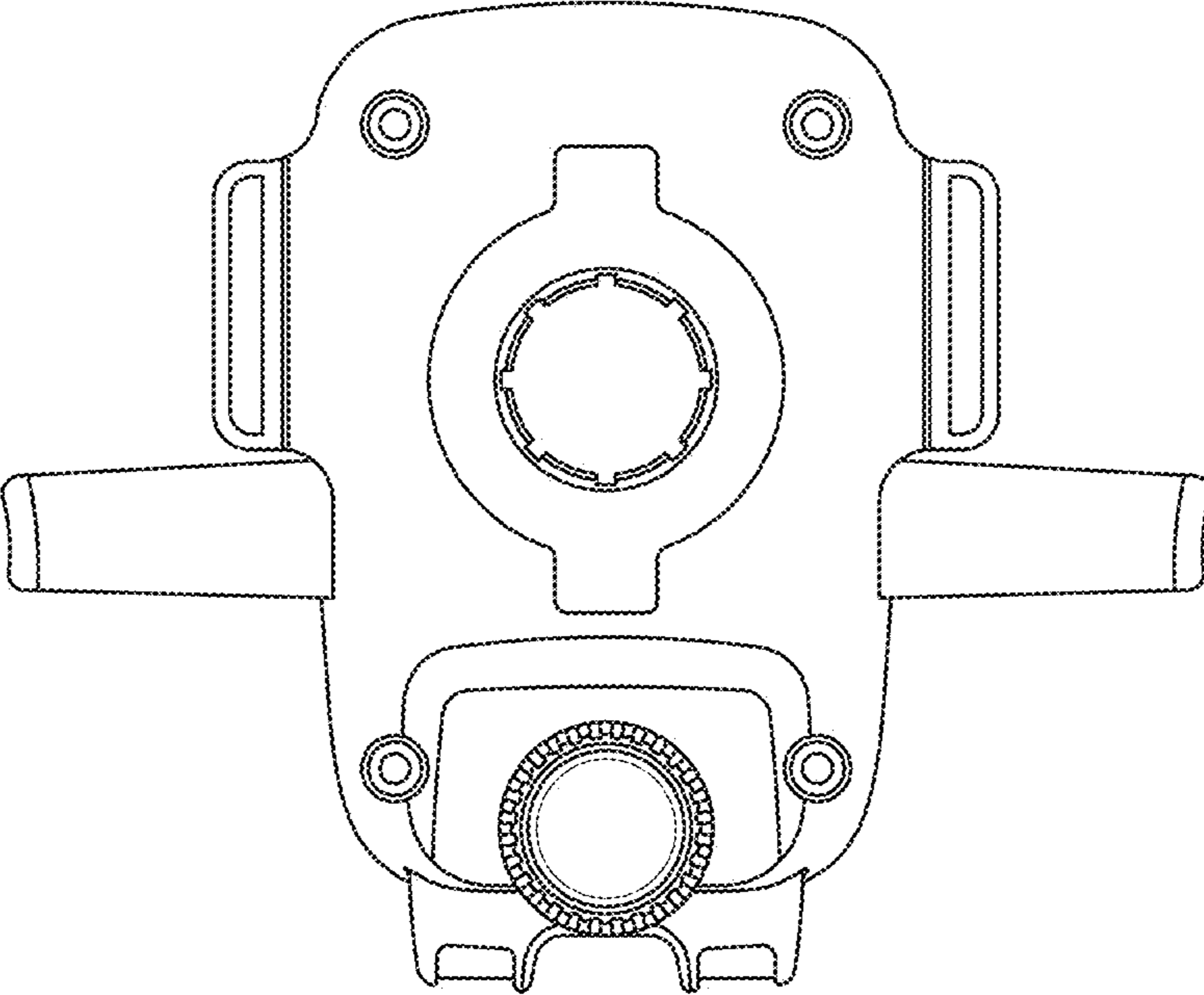


FIG. 2

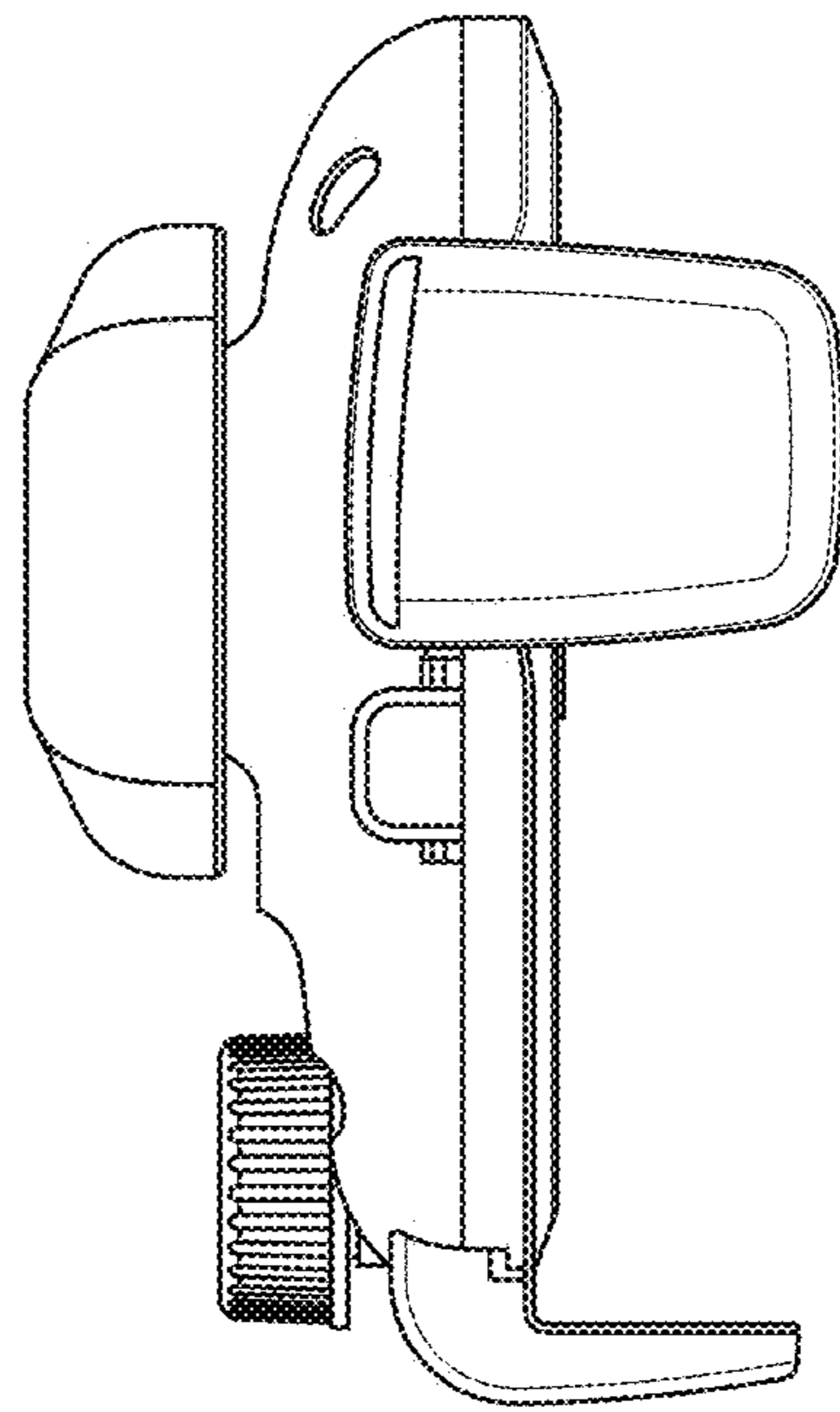


FIG. 3

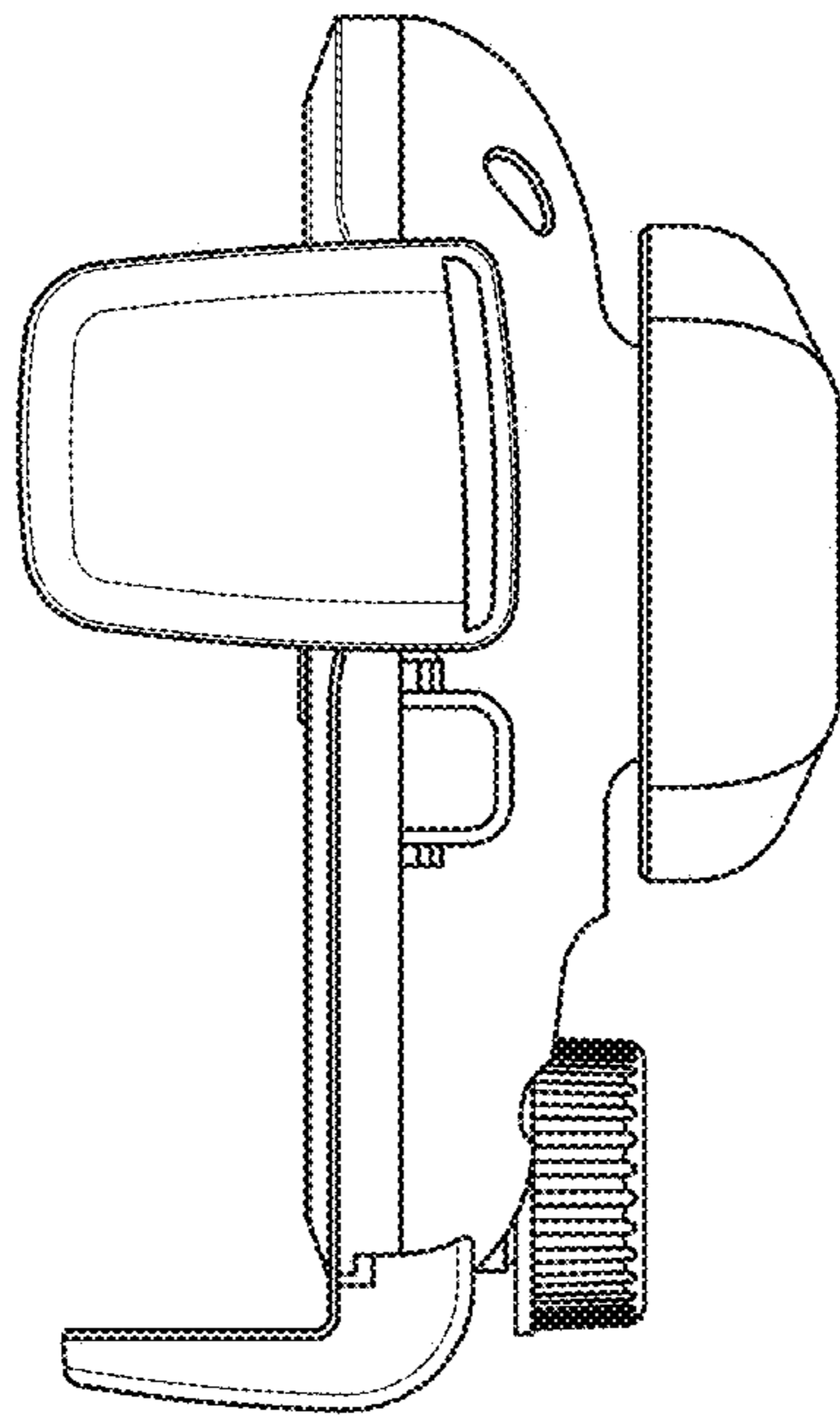


FIG. 4

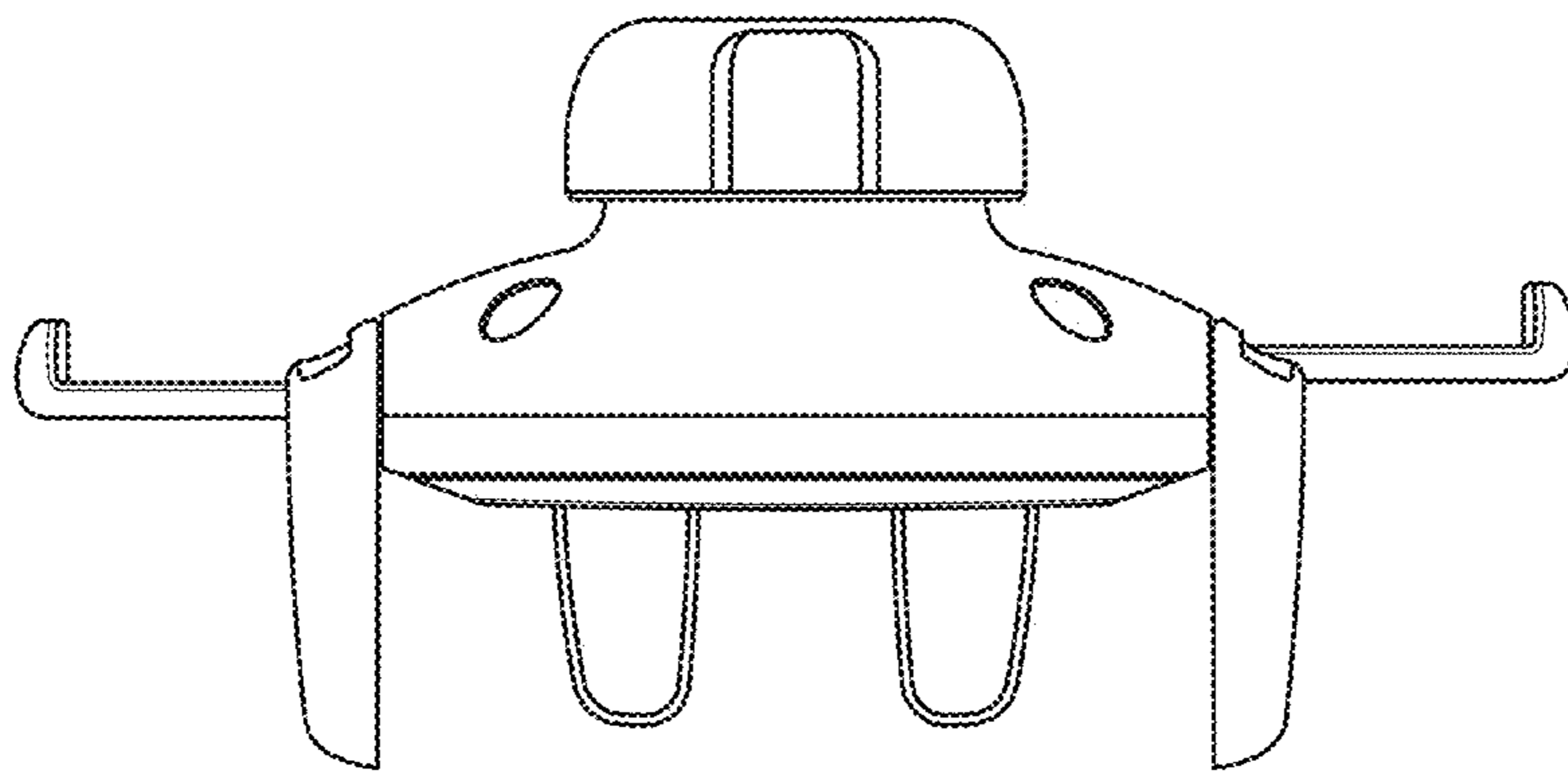


FIG. 5

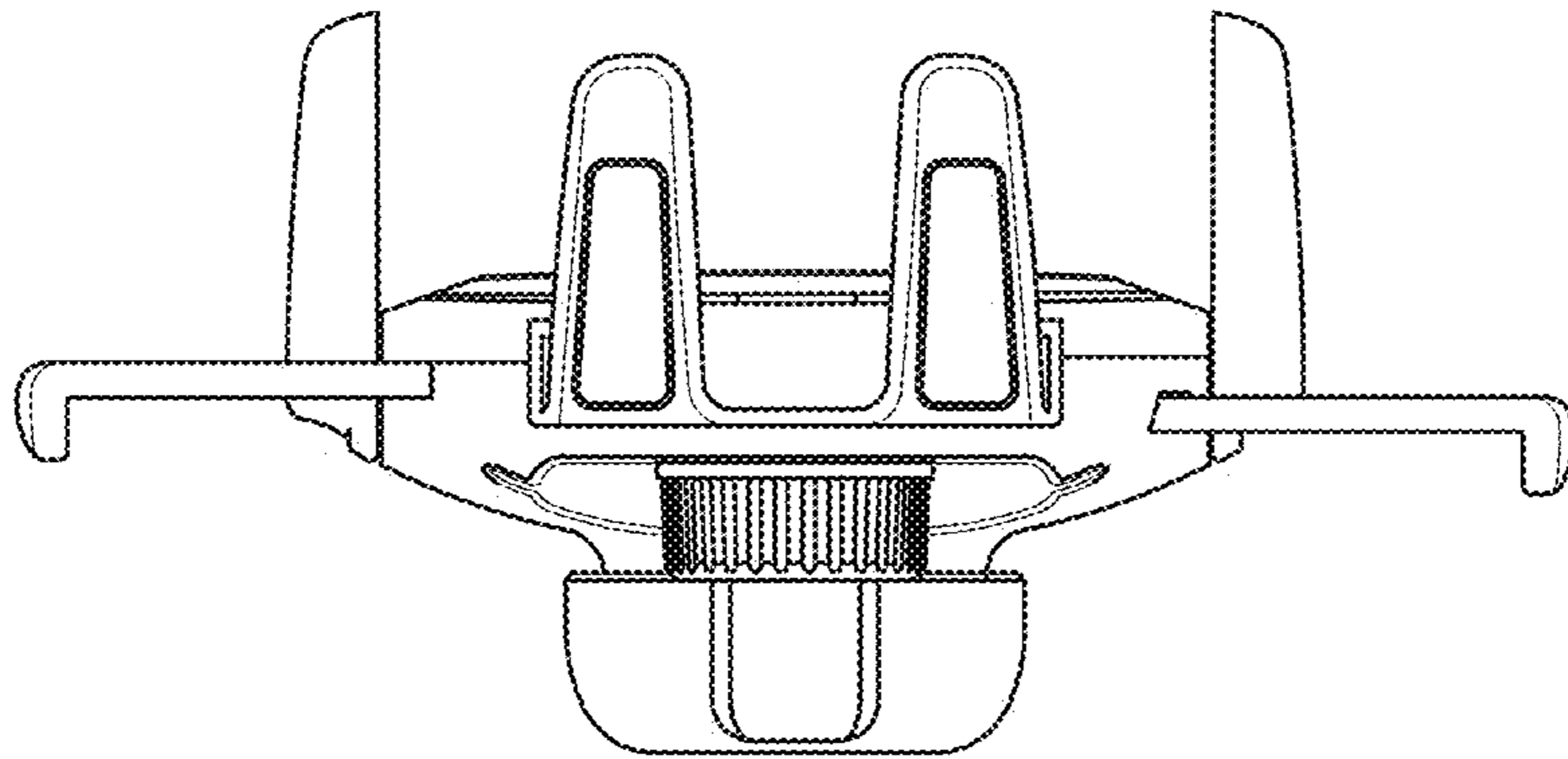


FIG. 6

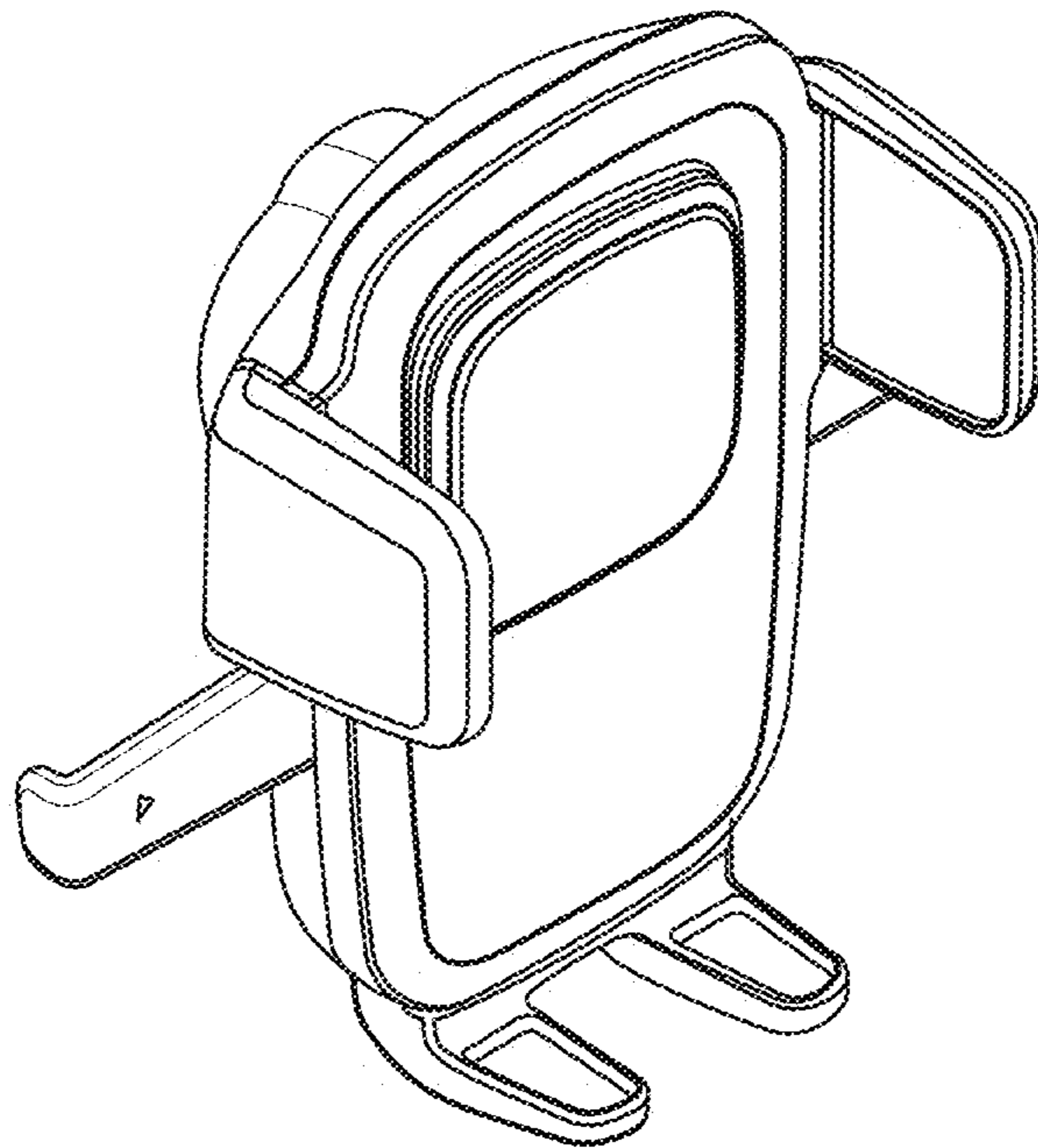


FIG. 7

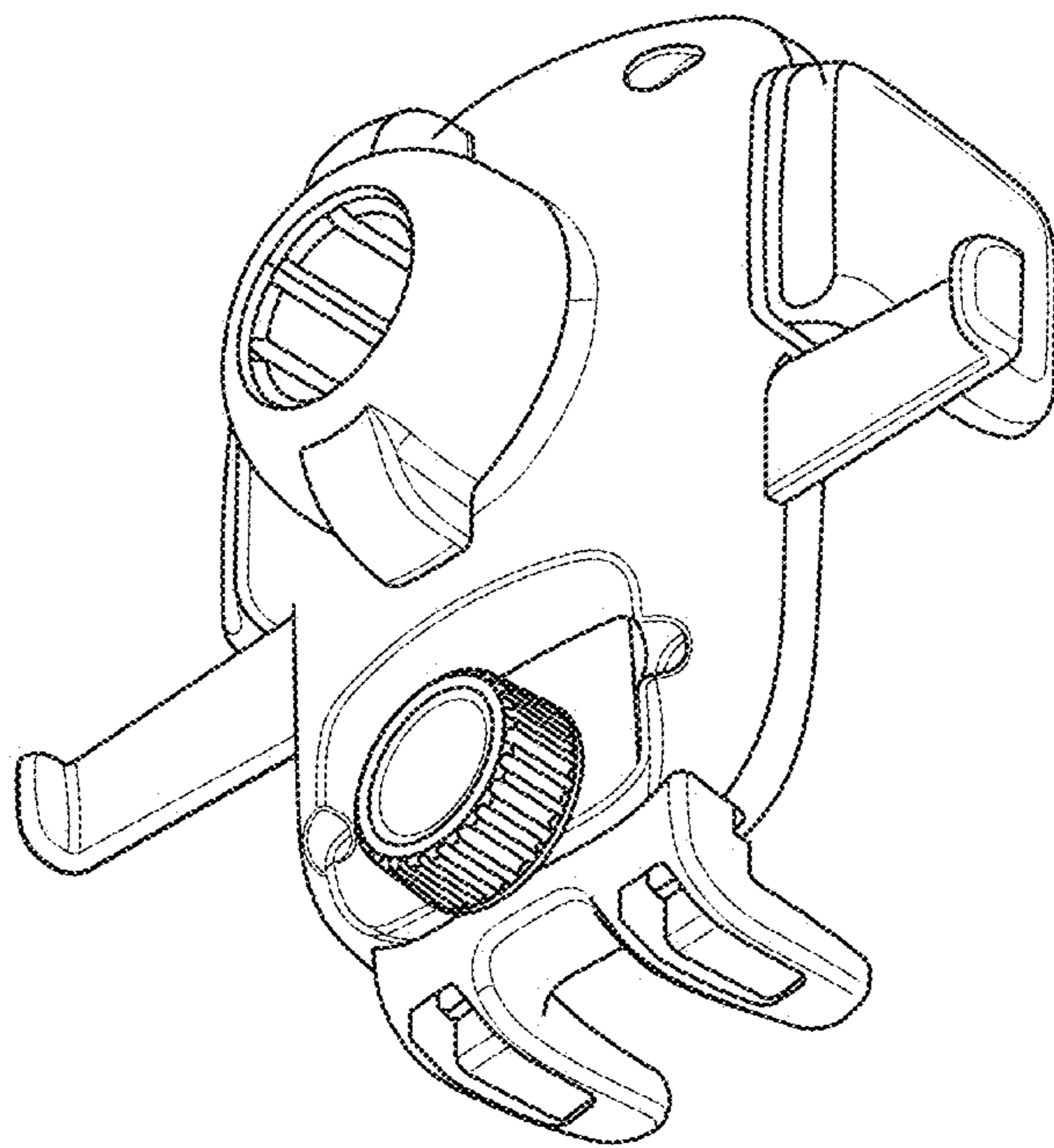


FIG. 8

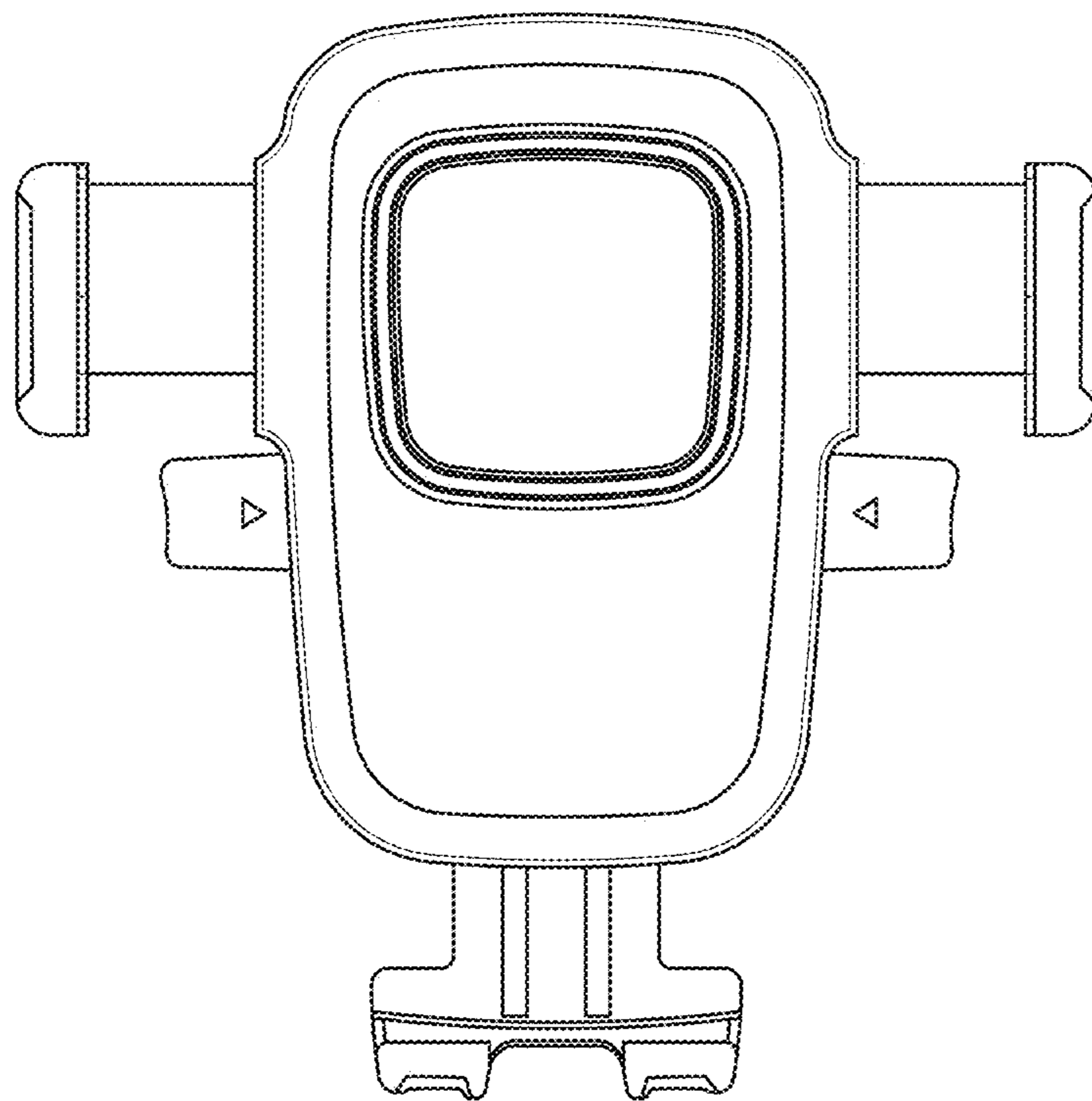


FIG. 9

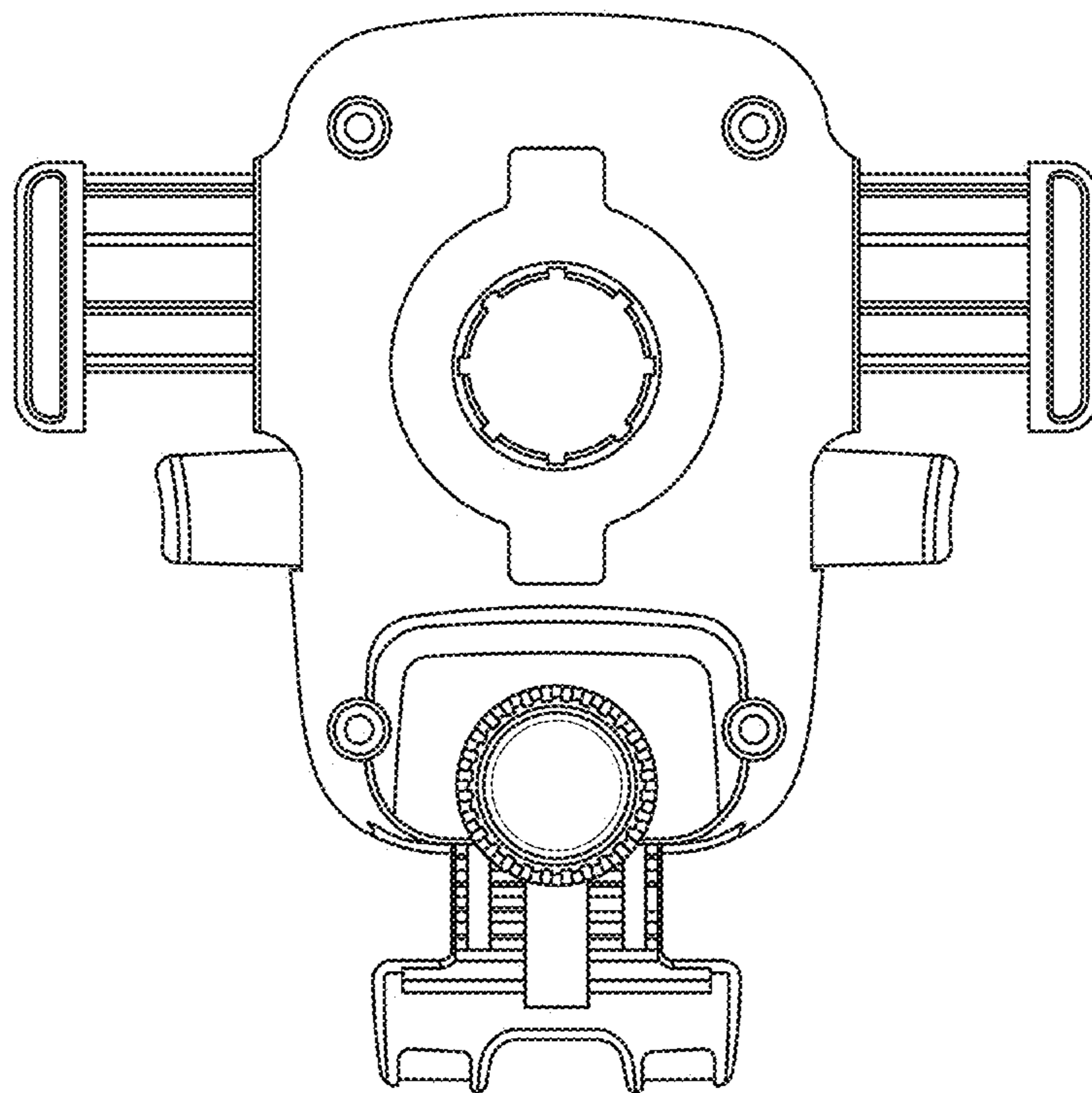


FIG. 10

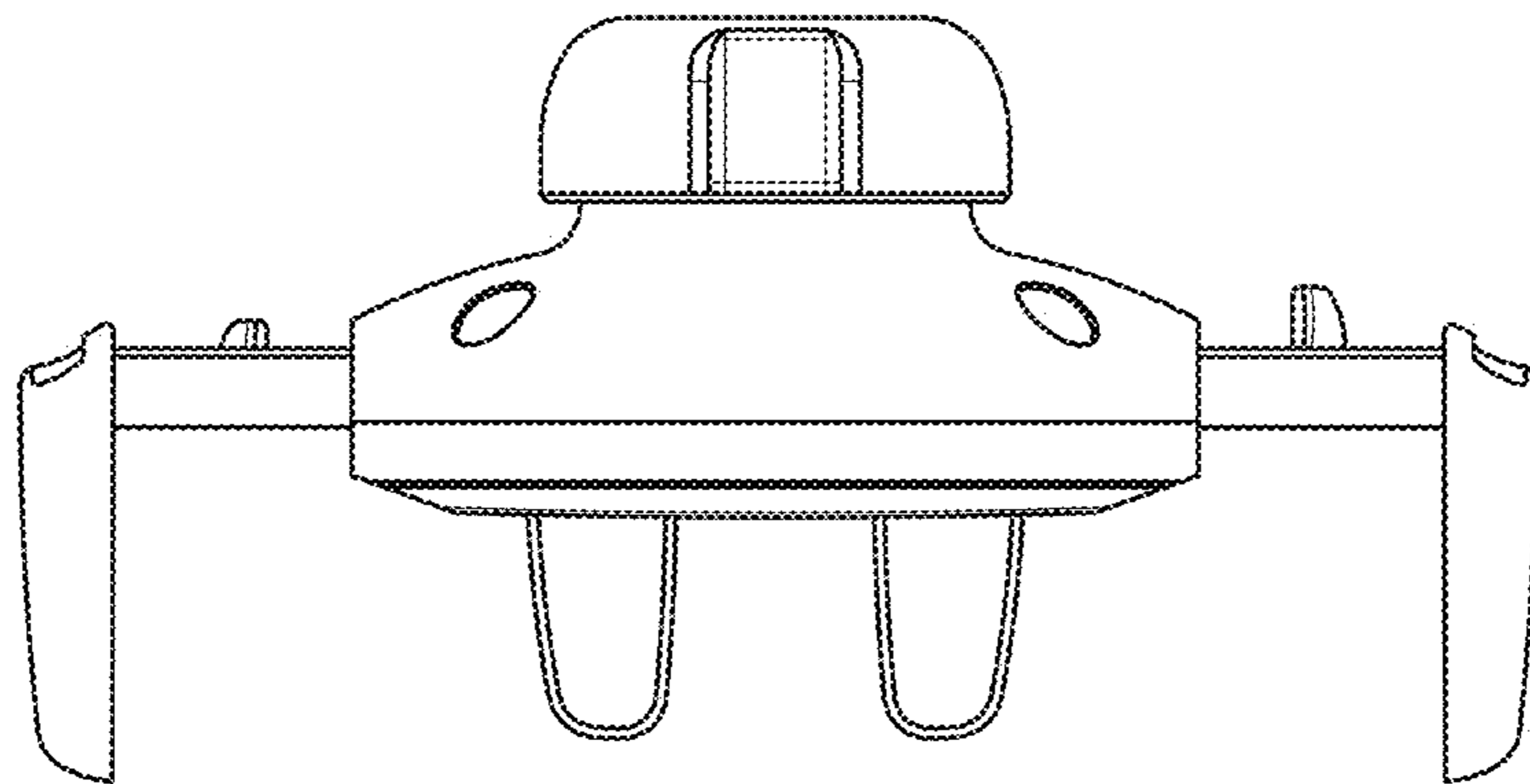


FIG. 11

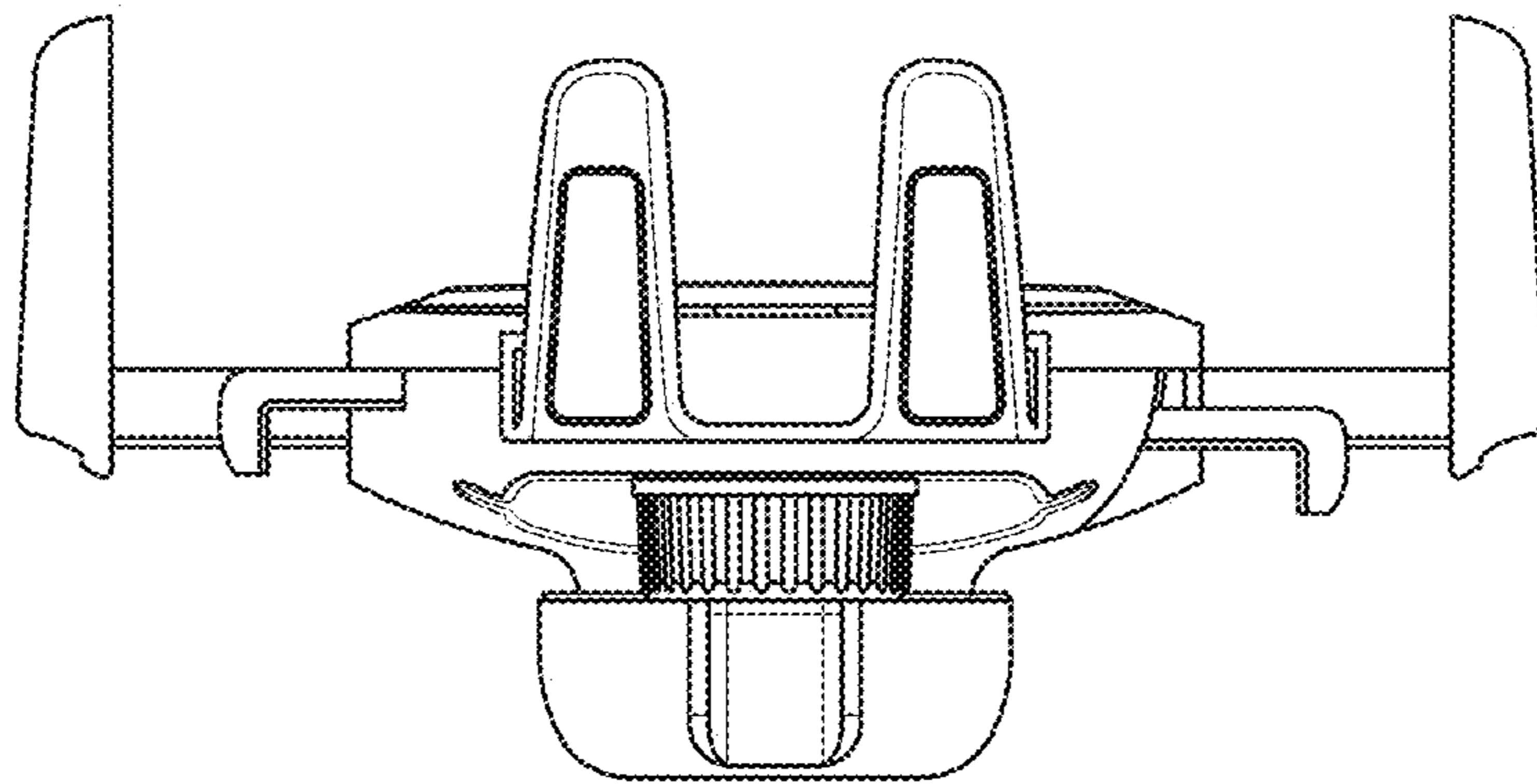


FIG. 12

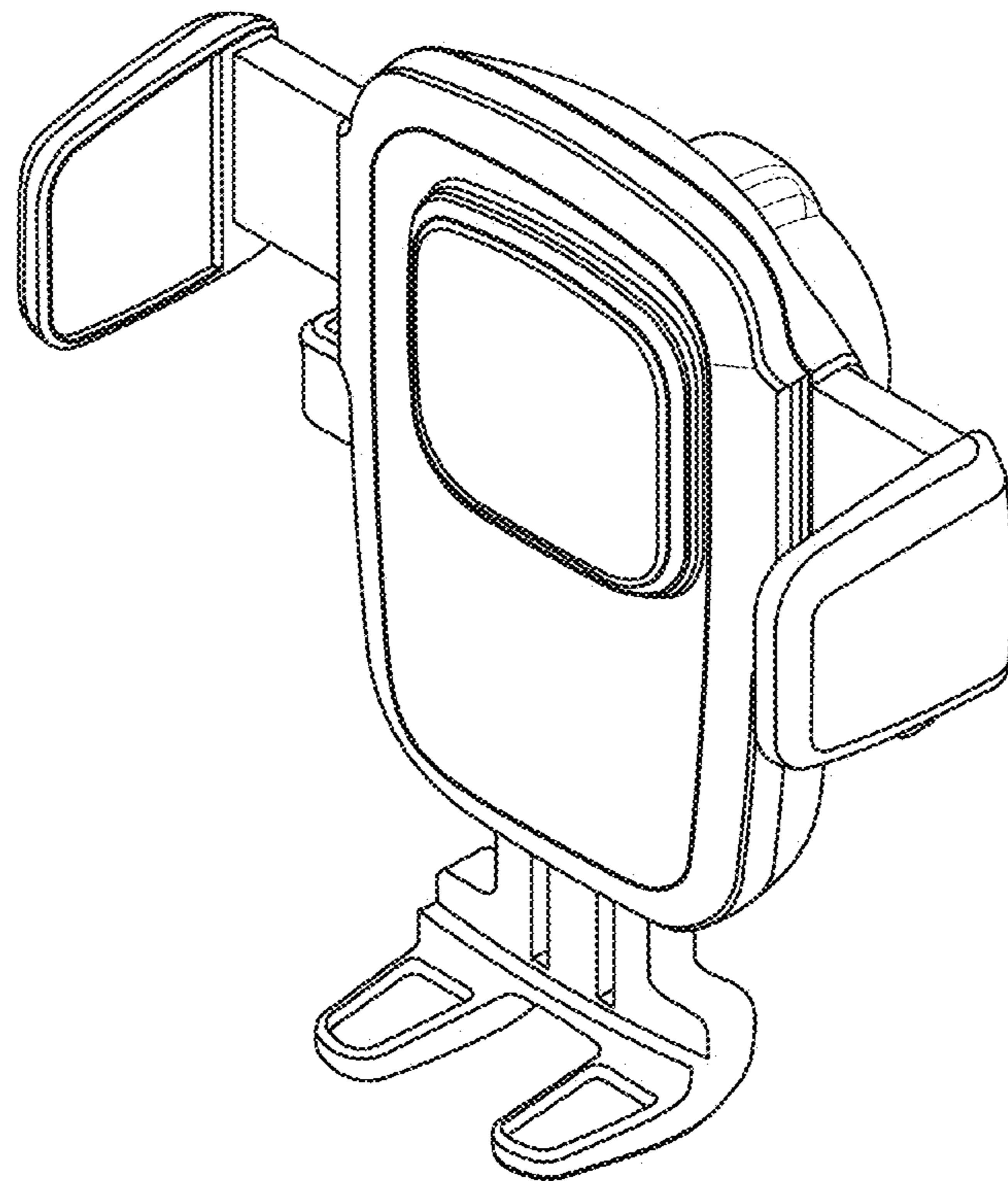


FIG. 13

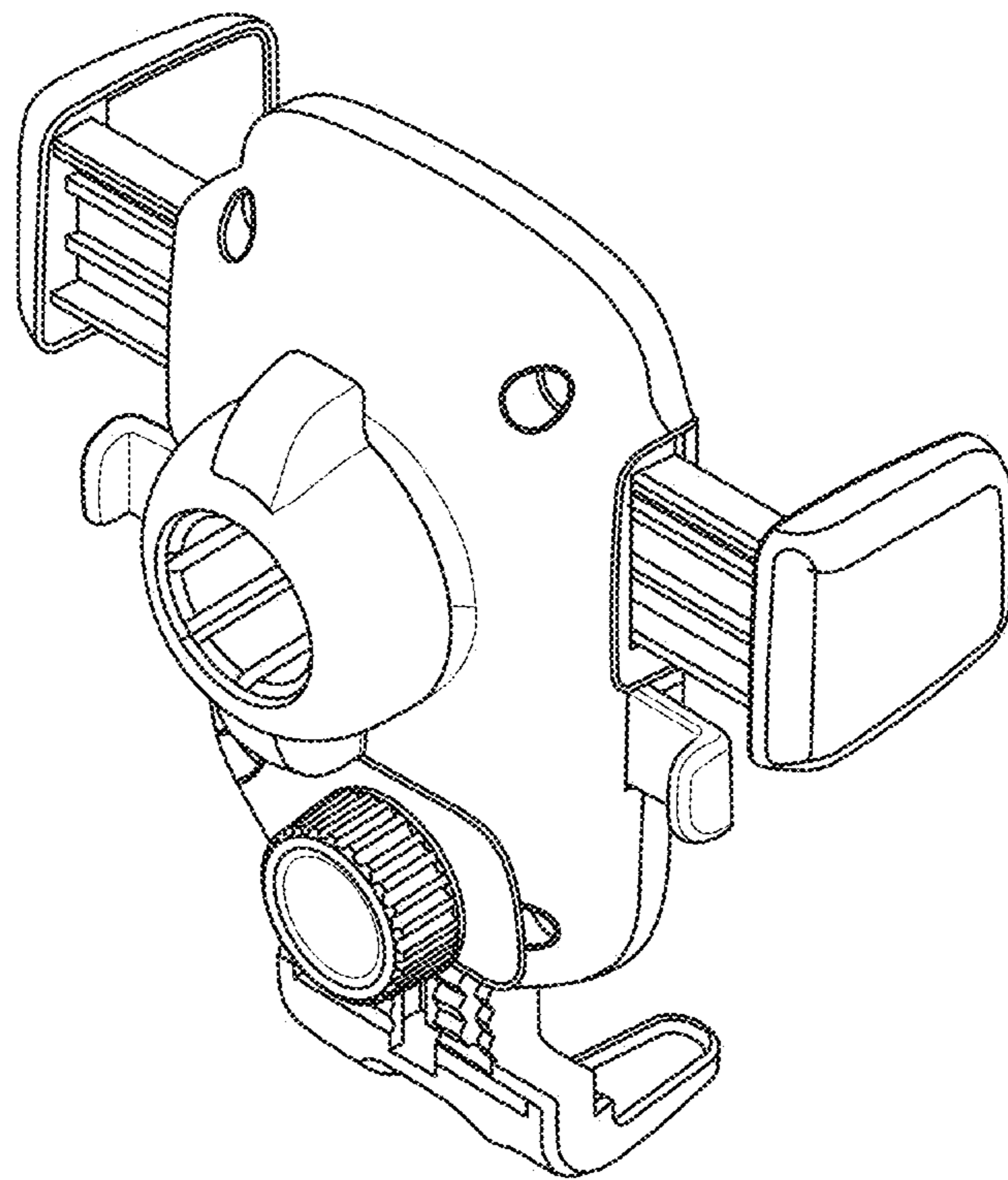


FIG. 14