



US00D900086S

(12) **United States Design Patent**
Kim

(10) **Patent No.:** **US D900,086 S**

(45) **Date of Patent:** **** Oct. 27, 2020**

(54) **CASE FOR ELECTRONIC COMMUNICATIONS DEVICE**

D619,361 S 7/2010 Andre et al.
D620,703 S * 8/2010 Jacobs D3/218
D646,265 S 10/2011 Fathollahi

(Continued)

(71) Applicant: **SPIGEN KOREA CO., LTD.**, Seoul (KR)

(72) Inventor: **Seungjoo Kim**, Seoul (KR)

(73) Assignee: **SPIGEN KOREA CO., LTD.**, Seoul (KR)

(**) Term: **15 Years**

(21) Appl. No.: **29/705,398**

(22) Filed: **Sep. 11, 2019**

OTHER PUBLICATIONS

“Galaxy S6 Case Rugged Armor”, <http://www.spigen.com/products/galaxy-s6-case-rugged-armor>, Earliest review date of Jun. 25, 2015, Downloaded on Mar. 30, 2018.

(Continued)

Primary Examiner — Carla J Wright

(74) *Attorney, Agent, or Firm* — Heedong Chae; Lucem, PC

(57) **CLAIM**

The ornamental design for a case for electronic communications device, as shown and described.

DESCRIPTION

FIG. 1 is a front perspective view of a case for electronic communications device showing my new design; FIG. 2 is a rear perspective view thereof; FIG. 3 is a front elevational view thereof; FIG. 4 is a rear elevational view thereof; FIG. 5 is a left side elevational view thereof; FIG. 6 is a right side elevational view thereof; FIG. 7 is a top plan view thereof; and FIG. 8 is a bottom plan view thereof; and, FIG. 9 is an enlarged detail view of the encircled region of FIG. 2.

The dot-dash broken line circle in FIGS. 2 and 9 delineates a portion of the case for electronic communications device that is part of the claimed design and that is shown on an enlarged scale in FIG. 9. The dashed broken lines throughout the drawing figures depict portions of the case for electronic communications device that form no part of the claimed design.

Related U.S. Application Data

(63) Continuation of application No. 29/633,788, filed on Jan. 16, 2018, now Pat. No. Des. 861,661.

(51) **LOC (12) Cl.** **14-03**

(52) **U.S. Cl.**
USPC **D14/250**

(58) **Field of Classification Search**

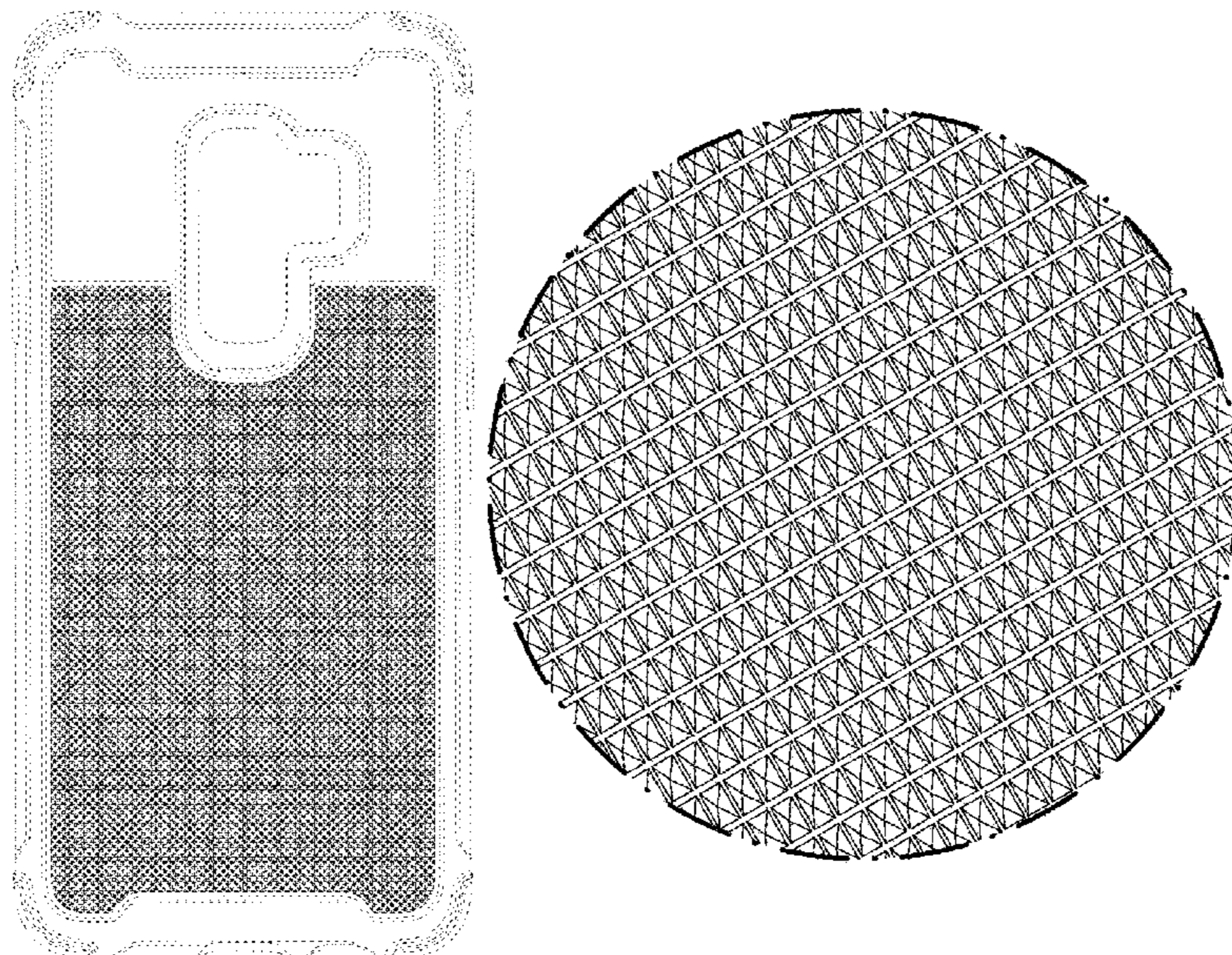
USPC D14/440, 203.3–203.7, 439, 238.1, D14/251–253, 447, 217, 240, 248, 250; D3/201, 218, 247, 269, 273, 301, 303; D13/103, 119, 107–108
CPC H04B 1/3888; H04M 1/0283; H04M 1/0202; A45C 1/06; A45C 11/00; A45C 13/02; A45C 2011/002; A45F 2005/026; A45F 2200/0525; A45F 2200/0516
See application file for complete search history.

(56) **References Cited**

U.S. PATENT DOCUMENTS

D420,363 S * 2/2000 Arrington D14/250
D501,720 S * 2/2005 Hussaini D3/273
D615,078 S * 5/2010 Bradley D14/250

1 Claim, 9 Drawing Sheets



(56)

References Cited

U.S. PATENT DOCUMENTS

D650,371 S 12/2011 Wibby
 D655,281 S 3/2012 Turocy
 D669,889 S 10/2012 Li et al.
 D677,249 S 3/2013 Li
 D678,871 S * 3/2013 Mishan D14/250
 D679,271 S 4/2013 Liu
 D679,690 S * 4/2013 Fahrenedorff D14/250
 D681,615 S 5/2013 Fathollahi
 D684,568 S 6/2013 Fitzgerald
 D685,361 S 7/2013 Goradesky et al.
 D687,796 S 8/2013 Lee
 D687,797 S 8/2013 Kim
 D690,292 S * 9/2013 Bibla D14/250
 D694,759 S * 12/2013 Chang D14/440
 D697,060 S * 1/2014 Yang D14/250
 D697,905 S 1/2014 Chang
 D698,767 S 2/2014 Son
 8,726,952 B2 * 5/2014 Jambunathan A45C 11/00
 150/134
 D706,254 S 6/2014 Chang
 D706,754 S 6/2014 Goradesky
 D714,273 S 9/2014 Kim et al.
 D717,774 S 11/2014 Fathollahi
 D721,070 S 1/2015 Pickett
 D724,065 S * 3/2015 Fathollahi D14/250
 D727,883 S 4/2015 Brand
 D731,481 S 6/2015 Akana et al.
 D732,012 S 6/2015 Tsai
 9,049,283 B1 * 6/2015 Kim H04M 1/21
 D734,747 S 7/2015 Seo et al.
 D735,661 S * 8/2015 Miller H02J 2207/40
 D13/108
 D737,259 S 8/2015 Choi
 D740,798 S 10/2015 Poon et al.
 D741,845 S 10/2015 Kim
 D746,273 S 12/2015 Herbst
 D746,274 S 12/2015 Herbst
 D746,801 S 1/2016 Pan
 D748,613 S 2/2016 Sasaki et al.
 D748,614 S 2/2016 Ju
 D749,068 S 2/2016 Zaborski et al.
 D749,535 S 2/2016 Joung et al.
 D749,555 S 2/2016 Poon et al.
 D749,557 S 2/2016 Feng
 D750,610 S 3/2016 Chen
 D755,167 S 5/2016 Chen et al.
 D755,772 S 5/2016 Sasaki et al.
 D756,343 S 5/2016 Wall
 D756,909 S 5/2016 Gupta
 D756,910 S 5/2016 Gupta
 D756,911 S 5/2016 Gupta
 D757,702 S 5/2016 Kanazawa
 D757,703 S 5/2016 Kanazawa
 D761,239 S 7/2016 Kim
 D763,241 S 8/2016 Kim
 D763,242 S 8/2016 Kim
 D763,837 S 8/2016 Choe et al.
 D763,842 S 8/2016 Chang et al.
 D765,627 S 9/2016 Watt
 D765,635 S 9/2016 Chang et al.
 D765,638 S 9/2016 Gaylord et al.
 D765,640 S 9/2016 Bulkley et al.
 D765,641 S 9/2016 Bulkley et al.
 D765,642 S 9/2016 Bulkley
 D765,645 S 9/2016 Kim
 D767,485 S 9/2016 To et al.
 D767,551 S 9/2016 Sasaki et al.
 D767,552 S 9/2016 Sasaki et al.

D771,027 S * 11/2016 Prstojevich D14/250
 D771,611 S 11/2016 Chang et al.
 D772,854 S 11/2016 Igarashi
 9,480,319 B2 11/2016 Dining et al.
 D775,614 S 1/2017 Kim
 D776,647 S 1/2017 Kim
 D777,157 S 1/2017 Kim
 D777,160 S 1/2017 Kim
 D780,167 S 2/2017 Tien
 D780,741 S 3/2017 Yin
 D781,835 S 3/2017 Kim et al.
 D781,840 S 3/2017 Kim et al.
 D782,460 S * 3/2017 Bertrand D14/250
 D783,588 S 4/2017 Chang
 D784,309 S 4/2017 Lee et al.
 D785,613 S 5/2017 Lin et al.
 D785,615 S 5/2017 Kim et al.
 D786,226 S 5/2017 Kim
 D786,849 S 5/2017 Park et al.
 D786,853 S 5/2017 Friedland et al.
 D788,093 S 5/2017 Lee et al.
 D789,343 S * 6/2017 Hawes D14/250
 D791,773 S 7/2017 Moore et al.
 D792,394 S 7/2017 Lee et al.
 D795,237 S 8/2017 Jung et al.
 D797,715 S 9/2017 Kim
 D798,286 S 9/2017 Roberts et al.
 D802,576 S 11/2017 Ahn
 D802,577 S 11/2017 Ahn
 D806,082 S * 12/2017 Armstrong D14/440
 D807,868 S 1/2018 Wang
 D808,373 S 1/2018 Brown et al.
 D808,374 S 1/2018 Lee et al.
 D808,377 S 1/2018 Witter et al.
 D808,378 S 1/2018 Witter et al.
 D808,944 S 1/2018 Kim
 D812,600 S 3/2018 Altaras
 D812,618 S 3/2018 Altaras
 D812,619 S 3/2018 Altaras
 D816,651 S 5/2018 Chiang et al.
 D816,653 S 5/2018 Yu
 D820,820 S 6/2018 Ahn
 D821,380 S 6/2018 Cramer et al.
 D834,571 S 11/2018 Ravid
 D836,095 S 12/2018 Kim et al.
 D840,990 S 2/2019 Kim
 D840,991 S 2/2019 Kim
 D840,992 S 2/2019 Kim
 D841,011 S 2/2019 Mecchella et al.
 D845,290 S 4/2019 Brubaker et al.
 D847,806 S 5/2019 Kim
 D851,082 S 6/2019 Fitzgerald et al.
 D851,638 S 6/2019 Kim et al.
 D859,392 S * 9/2019 Jung D14/250
 D861,661 S * 10/2019 Kim D14/250
 D862,447 S * 10/2019 Kim D14/250
 2011/0050606 A1 3/2011 Zhang
 2015/0053583 A1 * 2/2015 McCormick A45C 11/00
 206/521
 2015/0189963 A1 7/2015 Lai

OTHER PUBLICATIONS

“Spigen Rugged Armor Galaxy S6 Edge Case with Flexible and Durable Shock Absorption with Carbon Fiber Design for Samsung Galaxy S6 Edge (2015)—Black”, <http://www.amazon.com/Spigen%C2%AE-Capsule-Resilient-Ultimate-protection/dp/B00SVCITW0>, Earliest review date of Mar. 10, 2015, Downloaded on Mar. 30, 2018.

* cited by examiner

FIG. 1

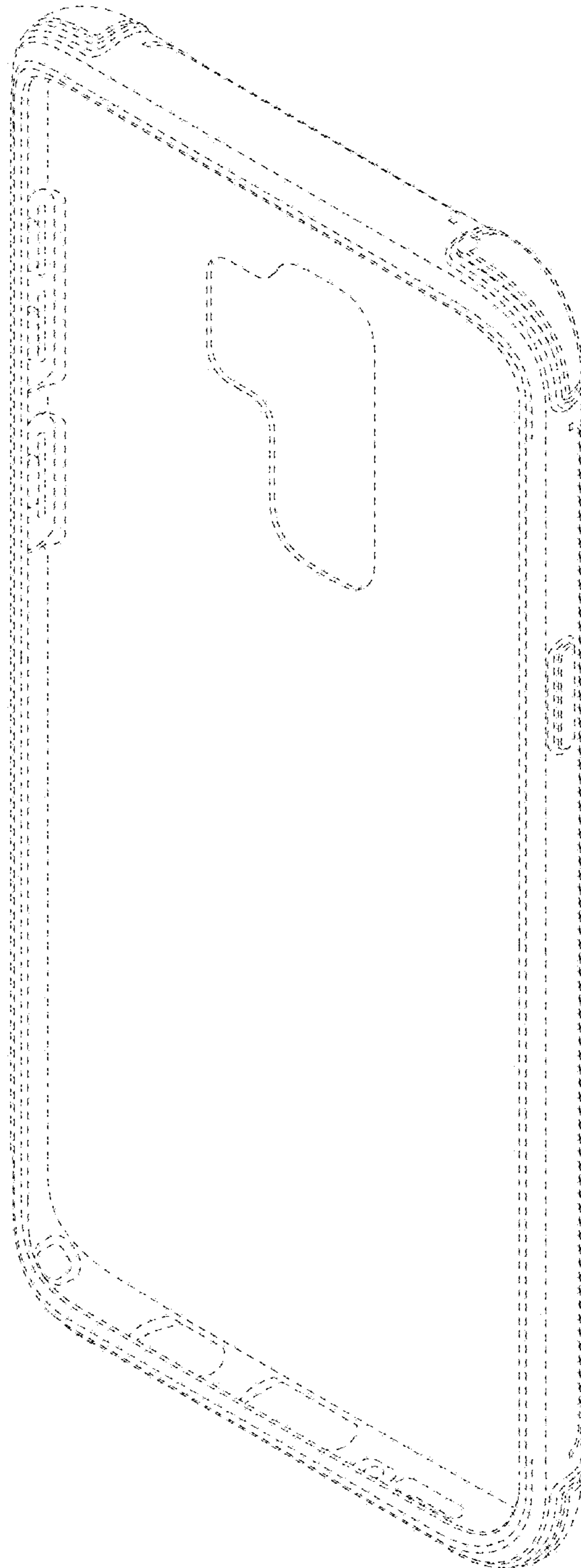


FIG. 2

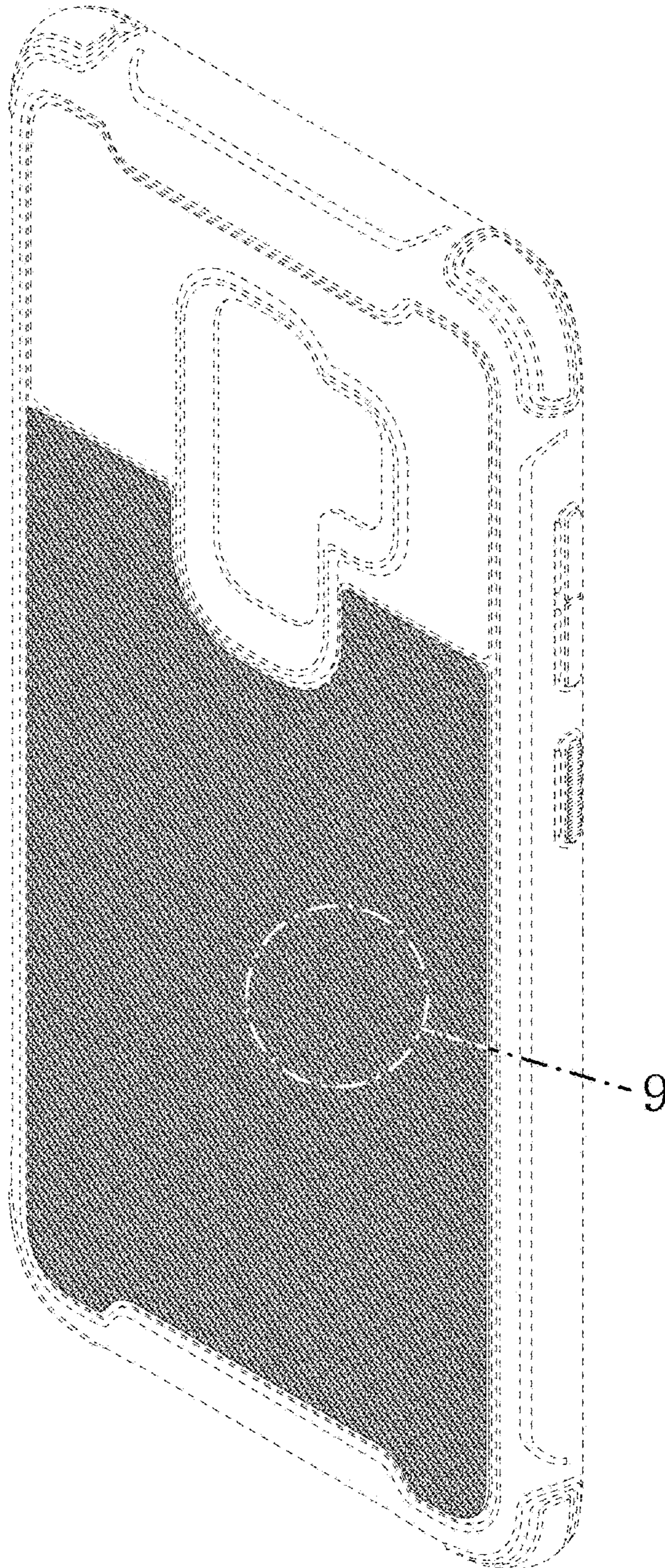


FIG. 3

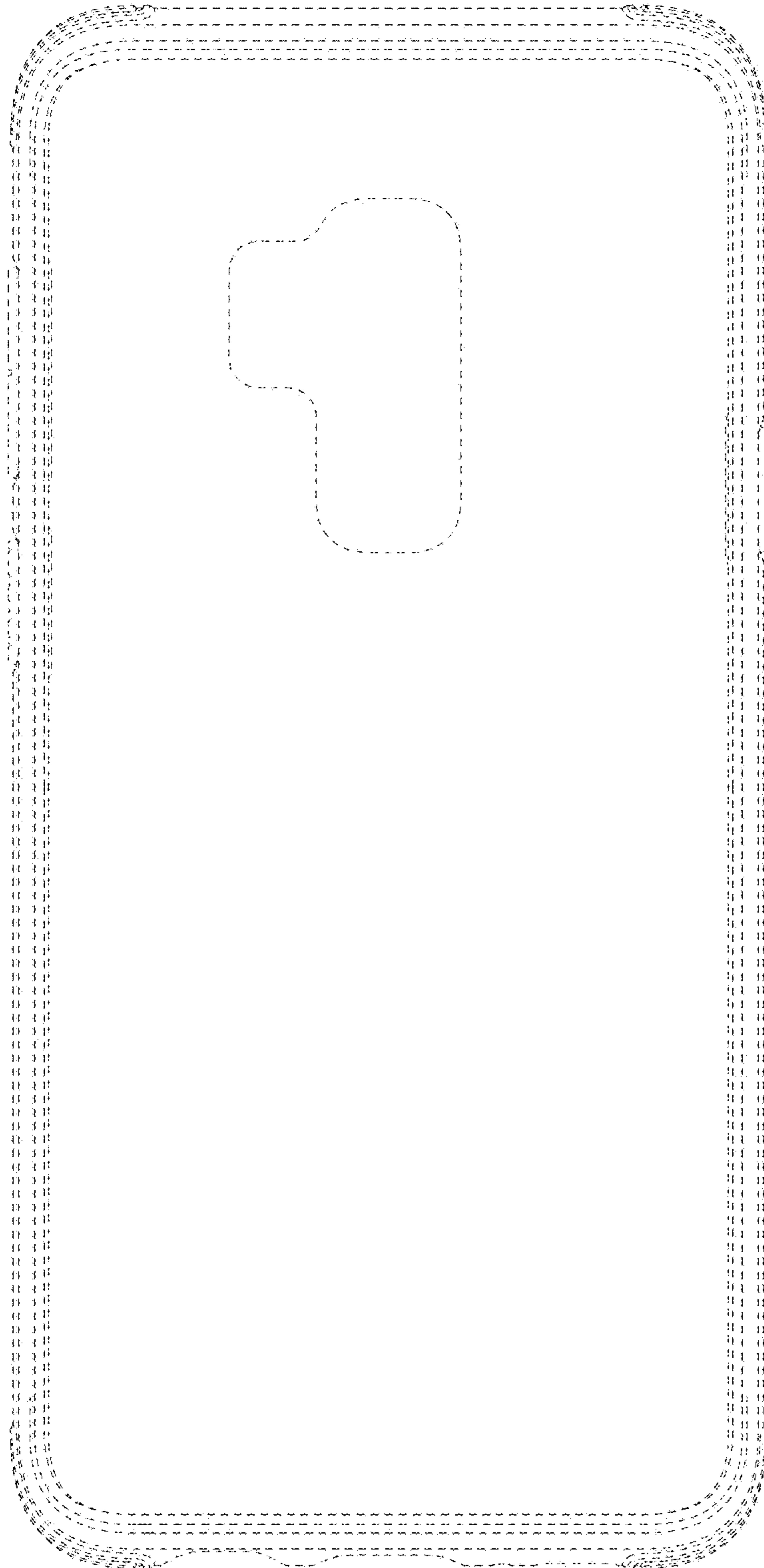


FIG. 4

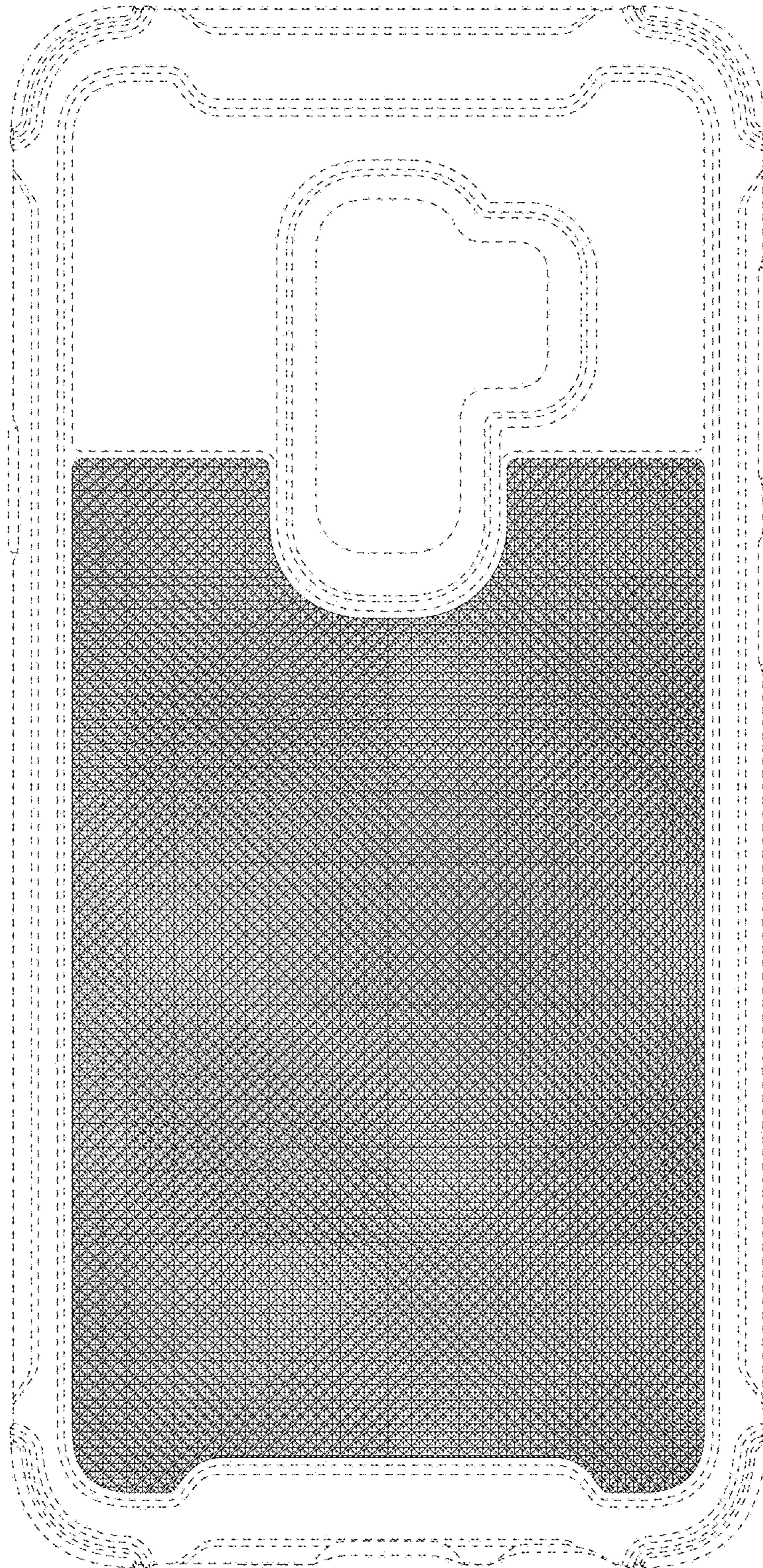


FIG. 5

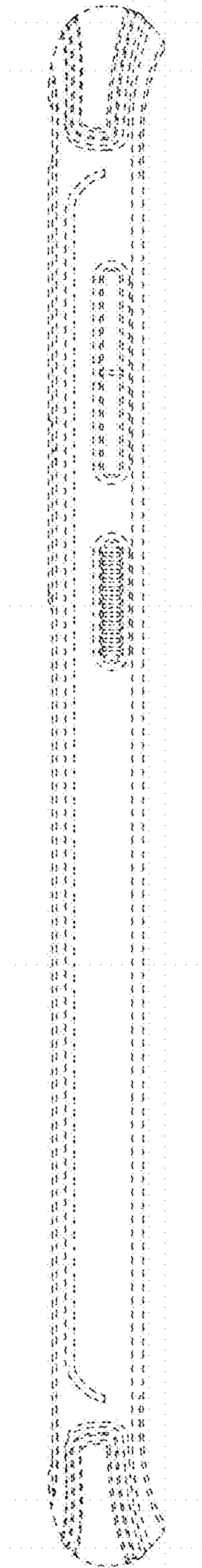


FIG. 6

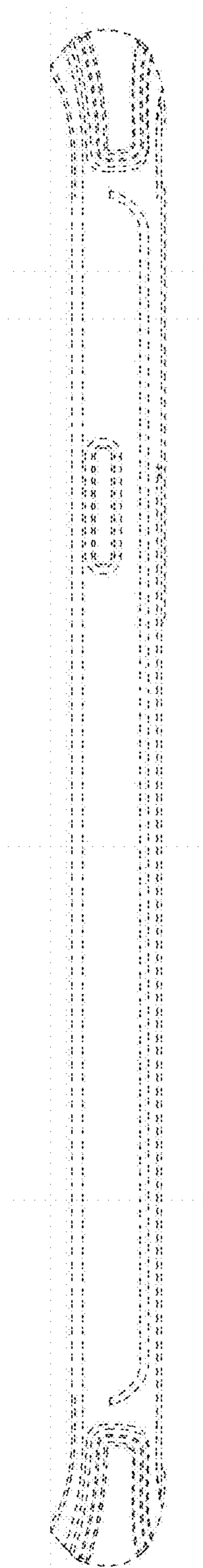


FIG. 7

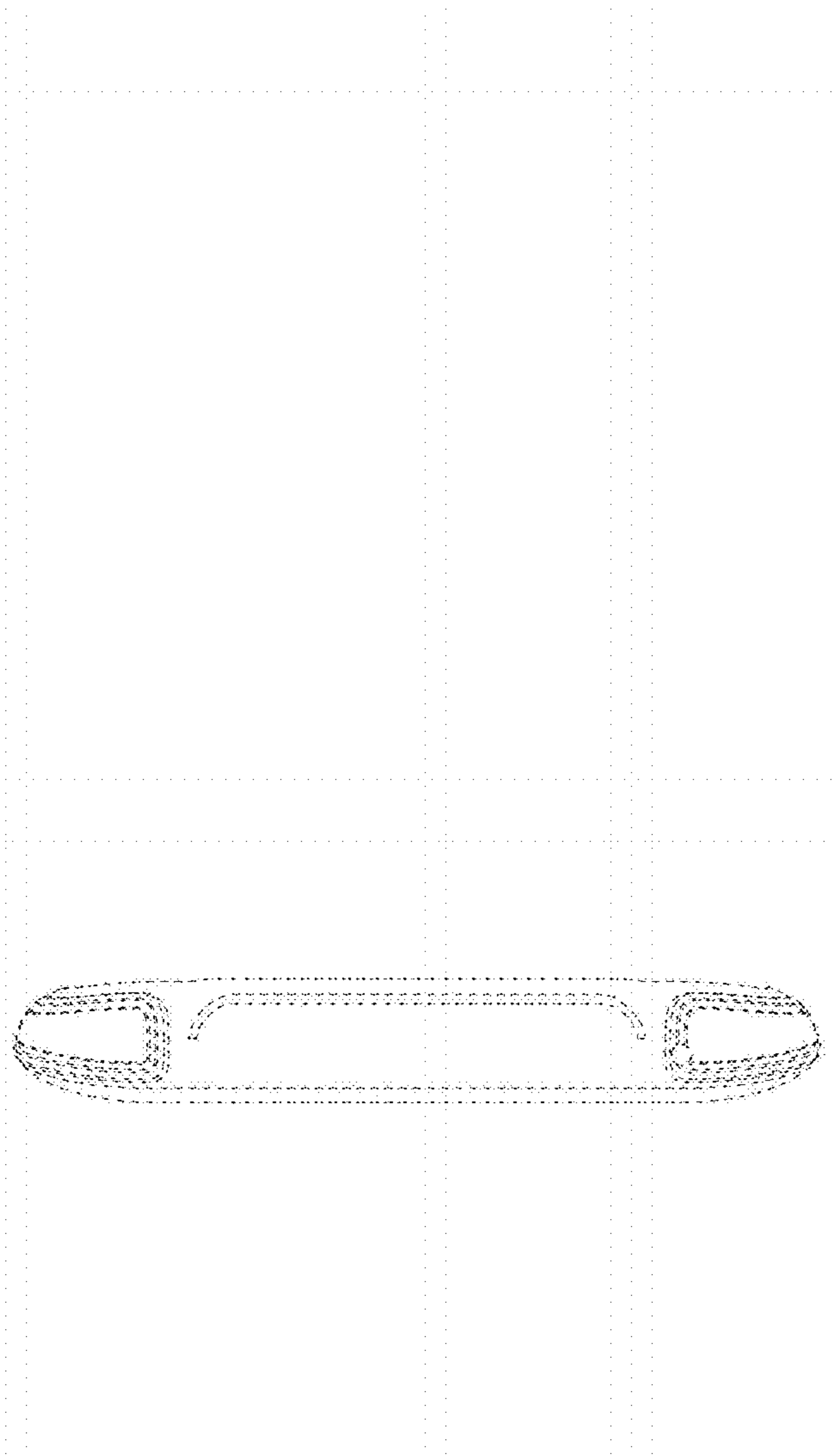


FIG. 8

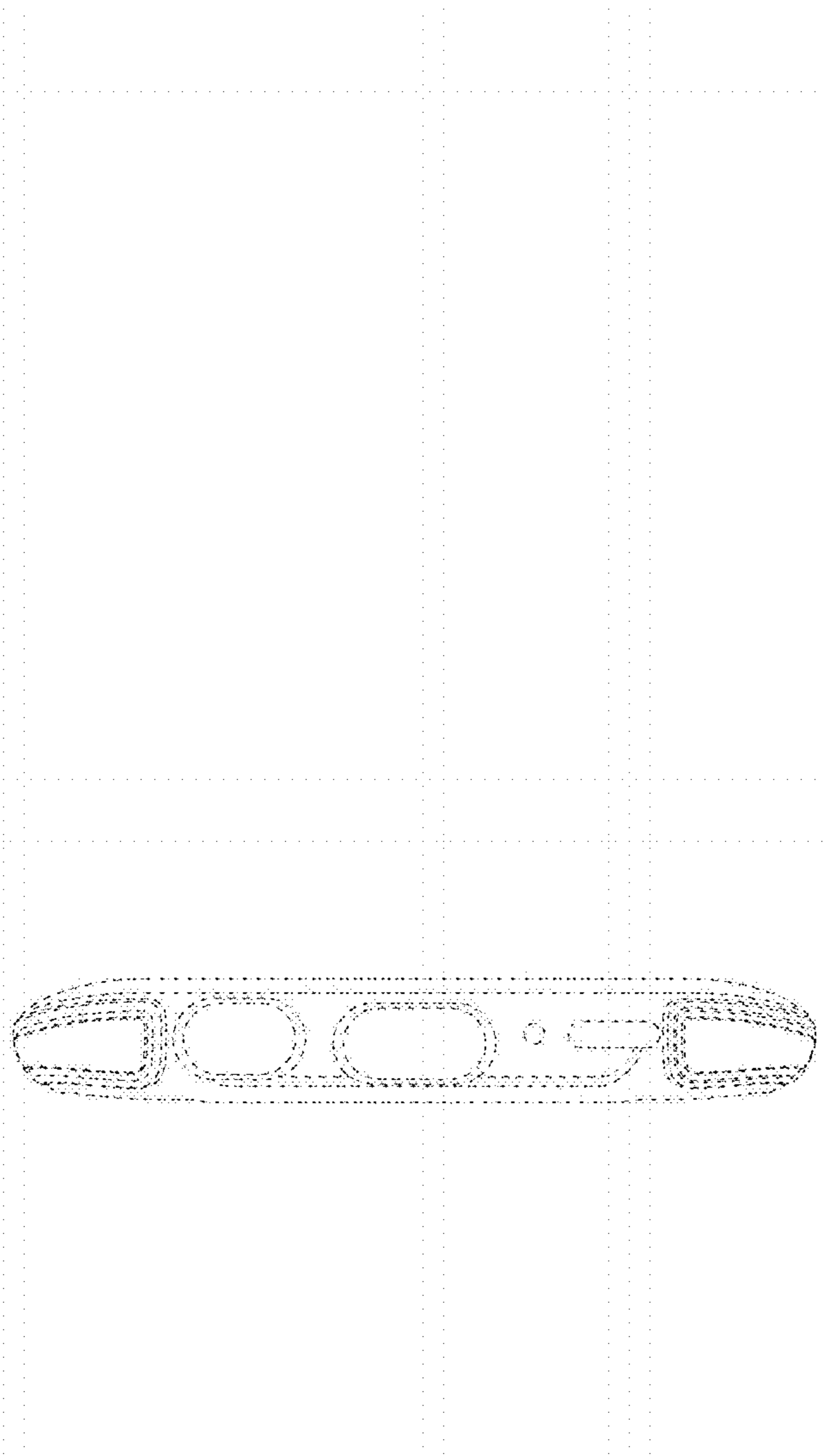


FIG. 9

