



US00D900084S

(12) **United States Design Patent** (10) **Patent No.:** **US D900,084 S**
Yoon (45) **Date of Patent:** **** Oct. 27, 2020**

(54) **CASE FOR ELECTRONIC COMMUNICATIONS DEVICE**

(71) Applicant: **SPIGEN KOREA CO., LTD.**, Seoul (KR)

(72) Inventor: **Tae Sung Yoon**, Seoul (KR)

(73) Assignee: **SPIGEN KOREA CO., LTD.**, Seoul (KR)

(**) Term: **15 Years**

(21) Appl. No.: **29/697,699**

(22) Filed: **Jul. 10, 2019**

(51) **LOC (12) Cl.** **14-03**

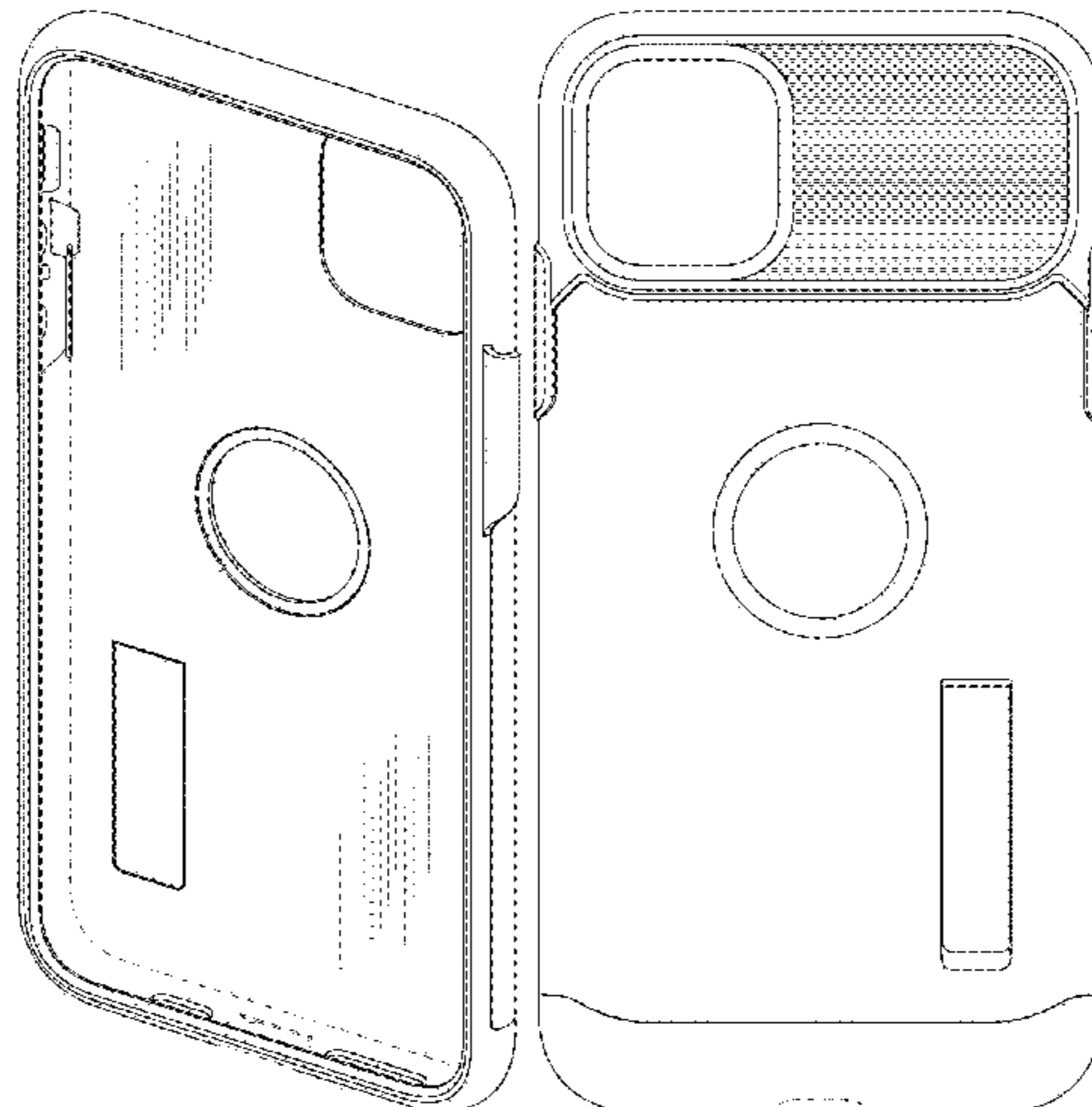
(52) **U.S. Cl.**
USPC **D14/250**

(58) **Field of Classification Search**
USPC D14/440, 203.3–203.7, 439, 238.1, D14/251–253, 447, 217, 240, 248, 250; D3/201, 218, 247, 269, 273, 301, 303; D13/103, 119, 107–108
CPC H04B 1/3888; H04M 1/0283; H04M 1/0202; A45C 1/06; A45C 11/00; A45C 13/02; A45C 2011/002; A45F 2005/026; A45F 2200/0525; A45F 2200/0516
See application file for complete search history.

D689,852 S 9/2013 Azoulay
D691,601 S 10/2013 Murchison et al.
D692,418 S 10/2013 Fahrendorff et al.
D692,419 S * 10/2013 Rayner D14/250
D698,767 S 2/2014 Son
D703,652 S 4/2014 Melanson
D703,653 S 4/2014 Brubaker et al.
D703,655 S 4/2014 Melanson
D704,688 S 5/2014 Reivo
D706,254 S 6/2014 Chang
D712,386 S * 9/2014 Lu D14/250
D714,274 S 9/2014 Jung
D716,783 S 11/2014 Loncar et al.
D717,774 S 11/2014 Fathollahi
D717,778 S 11/2014 Zermeno
D718,292 S 11/2014 Hemesath et al.
D736,205 S 8/2015 Park
D739,391 S 9/2015 Chen
D739,394 S * 9/2015 Rayner D14/250
D741,279 S 10/2015 Tai
D753,099 S 4/2016 Kim
D756,909 S * 5/2016 Gupta D13/103
D763,842 S 8/2016 Chang et al.
D765,644 S * 9/2016 Witter D14/250
D767,553 S 9/2016 Fathollahi
D771,028 S 11/2016 Kim
D771,607 S 11/2016 Kim
D771,608 S 11/2016 Kim et al.
D772,209 S 11/2016 Kim
D776,104 S 1/2017 Tien
D776,649 S 1/2017 Kim
D777,155 S * 1/2017 Kim D14/250
D777,156 S 1/2017 Kim
D777,716 S 1/2017 Kim
D777,717 S 1/2017 Kim
D778,897 S 2/2017 Kim
D778,898 S 2/2017 Kim
D780,166 S 2/2017 Lin
D780,167 S 2/2017 Tien
D781,838 S 3/2017 Kim et al.
D782,453 S 3/2017 Kim
D786,851 S 5/2017 Kim
D787,492 S 5/2017 Kim
D788,090 S 5/2017 Kim
9,661,116 B1 5/2017 Chung
D789,344 S 6/2017 Kim
D797,094 S 9/2017 Kim
D798,284 S * 9/2017 Kim D14/250
D800,713 S * 10/2017 Kim D14/250
D803,206 S 11/2017 Kim
D806,063 S 12/2017 Kim
D813,219 S * 3/2018 Hyun D14/250
D816,650 S * 5/2018 Jia D14/250

(56) **References Cited**
U.S. PATENT DOCUMENTS

D625,303 S 10/2010 Kim
D632,685 S 2/2011 Richardson
D643,029 S 8/2011 Feng
D648,332 S 11/2011 Kim et al.
D657,782 S 4/2012 Biller
D663,297 S 7/2012 de Jong et al.
D673,547 S 1/2013 Melanson
D676,844 S 2/2013 Weller
D679,271 S 4/2013 Liu
D679,692 S 4/2013 Fahrendorff et al.
D681,022 S 4/2013 Chang
D683,340 S 5/2013 Chang et al.
8,517,172 B1 8/2013 Chang



D820,819	S	6/2018	Kim	
D824,377	S	7/2018	Kim et al.	
D827,627	S	9/2018	Lee	
D828,346	S *	9/2018	Kim	D14/250
D832,833	S *	11/2018	Kim	D14/250
D836,095	S *	12/2018	Kim	D14/250
D836,623	S *	12/2018	Hyun	D14/250
D839,861	S *	2/2019	Kim	D14/250
D840,992	S	2/2019	Kim	
D841,637	S	2/2019	Kim	
D841,640	S *	2/2019	Huang	D14/250
D849,734	S *	5/2019	Wu	D14/250
D851,638	S *	6/2019	Kim	D14/250
D852,181	S *	6/2019	Kim	D14/250
D853,371	S *	7/2019	Wei	D14/250
D853,372	S *	7/2019	Kim	D14/250
10,361,742	B2 *	7/2019	Kim	F16M 11/00
10,362,847	B1 *	7/2019	Okada	A45C 11/00
2012/0018323	A1	1/2012	Johnson	
2016/0101902	A1	4/2016	Kim	
2016/0204817	A1	7/2016	Kim	
2016/0269516	A1	9/2016	Kim	
2016/0285301	A1	9/2016	Kim	

OTHER PUBLICATIONS

“Spigen Slim Armor iPhone 5S /SE/5 Case with Advanced Drop Protection and Dual Layer Design for iPhone 5S / iPhone SE /iPhone 5—Metal Slate”, <https://www.amazon.com/dp/B00DD62R40>, Earliest review date of Dec. 14, 2012, Downloaded on Sep. 18, 2018.

“Spigen Slim Armor View Galaxy S4 Case with Automatic Sleep / Wake Feature for Galaxy S4 2013—Soul Black”, <https://www.amazon.com/dp/B00DCCVS5Y>, Earliest review date of Mar. 18, 2013, Downloaded on Feb. 19, 2019.

“Spigen Slim Armor Nexus 5 Case with Air Cushion Technology and Hybrid Drop Protection for Nexus 5 2013—Infinity White”, <https://www.amazon.com/dp/B00EV8Y7XI>, Earliest review date of Nov. 4, 2013, Downloaded on Jan. 16, 2019.

“Spigen Slim Armor View Galaxy S5 Case with Automatic Sleep / Wake Feature for Samsung Galaxy S5 2014—View Smooth White”, <https://www.amazon.com/dp/B00KGG02EI>, Earliest review date of Jan. 18, 2014, Downloaded on Jan. 16, 2019.

“Spigen Slim Armor Galaxy S5 Case with Air Cushion Technology and Hybrid Drop Protection for Samsung Galaxy S5 2014—Metal Slate”, <https://www.amazon.com/dp/B0013UWD7C>, Earliest review date of Apr. 11, 2014, Downloaded on Sep. 18, 2018.

“Spigen Slim Armor LG G3 Case with Air Cushion Technology and Hybrid Drop Protection for LG G3 2014—Metal Slate”, <https://www.amazon.com/dp/B00JQI2G50>, Earliest review date of Jul. 9, 2014, Downloaded on Jan. 16, 2019.

“Spigen Slim Armor iPhone 6 Case with Air Cushion Technology and Hybrid Drop Protection for iPhone 6 2014 Gunmetal”, <https://www.amazon.com/dp/B00JH88GB6>, Earliest review date of Aug. 13, 2014, Downloaded on Sep. 18, 2018.

“Spigen Slim Armor iPhone 6 Plus Case with Air Cushion Technology and Hybrid Drop Protection for iPhone 6S Plus / iPhone 6 Plus—Shimmery White”, <https://www.amazon.com/dp/B00JH83C6U>, Earliest review date of Sep. 12, 2014, Downloaded on Sep. 18, 2018.

“Spigen Slim Armor Galaxy Note 4 Case with Air Cushion Technology and Hybrid Drop Protection for Samsung Galaxy Note 4 2014—Shimmery White”, <https://www.amazon.com/dp/B00MAWQPJQ>, Earliest review date of Oct. 7, 2014, Downloaded on Jul. 30, 2018.

“Spigen Slim Armor Galaxy S6 Case with Air Cushion Technology and Hybrid Drop Protection with Kickstand for Samsung Galaxy S6 (2015)—Shimmery White”, <https://www.amazon.com/dp/B00QU4NQMY>, Earliest review date of Mar. 21, 2015, Downloaded on Sep. 18, 2018.

“Spigen Slim Armor HTC One M9 Case with Kickstand and Air Cushion Technology Hybrid Drop Protection for HTC One M9

2015—Metal Slate”, <https://www.amazon.com/dp/B00SNOTASI>, Earliest review date of Mar. 31, 2015, Downloaded on Jan. 16, 2019.

“Spigen Slim Armor Galaxy S6 Edge Case with Kickstand and Air Cushion Technology and Hybrid Drop Protection for Galaxy S6 Edge 2015—Gunmetal”, <https://www.amazon.com/dp/B00SV638ZE>, Earliest review date of Apr. 3, 2015, Downloaded on Sep. 18, 2018.

“Spigen Slim Armor Galaxy Note 5 Case with Air Cushion Technology and Hybrid Drop Protection for Galaxy Note 5 2015—Metal Slate”, <https://www.amazon.com/dp/B010MWHIKA>, Earliest review date of Aug. 21, 2015, Downloaded on Jul. 18, 2018.

“Spigen Slim Armor iPhone 6S Case with Kickstand and Air Cushion Technology Hybrid Drop Protection for iPhone 6S 2015—Rose Gold”, <https://www.amazon.com/dp/B012PKFAQ6>, Earliest review date of Sep. 1, 2015, Downloaded on Sep. 18, 2018.

Korguenkomodo, “Slim Armor case—Galaxy S6 Edge Plus”, Published on Oct. 12, 2015, Downloaded on Mar. 19, 2019.

“Spigen Slim Armor LG V10 Case with Air Cushion Technology and Hybrid Drop Protection for LG V10—Gunmetal”, <https://www.amazon.com/dp/B016X1FODW>, Earliest review date of Nov. 16, 2015, Downloaded on Sep. 18, 2018.

“Spigen Slim Armor Galaxy S7 Edge Case with Kickstand and Air Cushion Technology and Hybrid Drop Protection for Samsung Galaxy S7 Edge 2016—Champagne Gold”, <https://www.amazon.com/dp/B01BEBBVY6>, Earliest review late of Feb. 26, 2016, Downloaded on Sep. 18, 2018.

“Spigen Slim Armor Galaxy S7 Case with Air Cushion Technology and Hybrid Drop Protection for Samsung Galaxy S7 2016—Violet”, <https://www.amazon.com/dp/B01AUR1D8K>, Earliest review date of Mar. 2, 2016, Downloaded on Sep. 18, 2018.

“Spigen Slim Armor iPhone SE Case with Air Cushion Technology and Hybrid Drop Protection for iPhone SE 2016 Rose Gold”, <https://www.amazon.com/dp/B01BEJOH5E>, Earliest review date of Apr. 6, 2016, Downloaded on Jan. 16, 2019.

“Spigen Slim Armor LG G5 Case with Air Cushion Technology and Hybrid Drop Protection for LG G5 2016—Shimmery White”, <https://www.amazon.com/dp/B01B1GQIHA>, Earliest review date of Apr. 7, 2016, Downloaded on Sep. 18, 2018.

“Spigen Slim Armor HTC 10 Case with Kickstand and Air Cushion Technology Hybrid Drop Protection for HTC 10 2016—Champagne Gold”, <https://www.amazon.com/dp/B01DAN2WTA>, Earliest review date of May 6, 2016, Downloaded on Jan. 16, 2019.

“Spigen Slim Armor iPhone 7 iPhone 8 Case with Kickstand and Air Cushion Technology Hybrid Drop Protection for Apple iPhone 7 (2016) / iPhone 8 (2017)—Black”, <https://www.amazon.com/dp/B01HMY5WKY>, Earliest review date of Sep. 12, 2016, Downloaded on Sep. 18, 2018.

“Spigen Slim Armor iPhone 7 Plus Case with Kickstand and Air Cushion Technology Hybrid Drop Protection for Apple iPhone 7 Plus (2016)—Black”, <https://www.amazon.com/dp/B01HMY5Y3E>, Earliest review date of Sep. 22, 2016, Downloaded on Jan. 16, 2019.

“Spigen Slim Armor Google Pixel XL Case with Kickstand and SF Coated Non Slip Matte Surface and Air Cushion Technology Protection for Google Pixel XL 2016—Black”, <http://www.amazon.com/dp/B01M0FIVZ3>, Earliest review date of Oct. 20, 2016, downloaded on Jan. 16, 2019.

“Spigen Slim Armor LG G6 Case with Air Cushion Technology and Hybrid Drop Protection for LG G6 (2017)—Champagne Gold”, <http://www.amazon.com/dp/B01N1395SE>, Earliest review date of Mar. 25, 2017, downloaded on Sep. 18, 2018.

“Spigen Slim Armor Galaxy A5 2017 Case with Air Cushion Technology and Hybrid Drop Protection with Kickstand for Samsung Galaxy A5 2017—Metal Slate”, <http://www.amazon.com/dp/B01MTA3AAN>, Earliest review date of Apr. 1, 2017, downloaded on Sep. 18, 2018.

“Spigen Slim Armor Galaxy S8 Plus Case with Air Cushion Technology and Hybrid Drop Protection for Galaxy S8 Plus (2017)—Orchid Gray”, <http://www.amazon.com/dp/B0716CZ3Z1>, Earliest review date of Apr. 8, 2017, downloaded on Jul. 18, 2018.

“Spigen Slim Armor S8 Case with Air Cushion Technology and Hybrid Drop Protection for Samsung S8 (2017)—Black”, <http://www.amazon.com/dp/B01LP5XLOK>, Earliest review date of Apr. 22, 2017, downloaded on Sep. 18, 2018.

“Spigen Slim Armor Galaxy Note P Case with Air Cushion Technology and Hybrid Drop Protection for Galaxy Note P (2017)—Metal Slate”, <https://www.amazon.com/Spigen-Galaxy-Cushion-Technology-Protection/dp/B073RWL7WP>, Earliest review date of Nov. 28, 2017, downloaded on Jan. 16, 2019.

“Spigen Slim Armor iPhone A Case with Air Cushion Technology and Hybrid Drop Protection for iPhone A (2017) Rose Gold”, <https://www.amazon.com/Spigen-Apple-iPhone-Slim-Armor/dp/B074CMJY4J>, Earliest review date of Feb. 14, 2018, downloaded on Jan. 16, 2019.

* cited by examiner

Primary Examiner — Carla J Wright

(74) *Attorney, Agent, or Firm* — Heedong Chae; Lucem, PC

(57) **CLAIM**

The ornamental design for a case for electronic communications device, as shown and described.

DESCRIPTION

FIG. 1 is a front perspective view of a case for electronic communications device showing my new design;
 FIG. 2 is a rear perspective view thereof;
 FIG. 3 is a front elevational view thereof;
 FIG. 4 is a rear elevational view thereof;
 FIG. 5 is a left side elevational view thereof;
 FIG. 6 is a right side elevational view thereof;
 FIG. 7 is a top plan view thereof;
 FIG. 8 is a bottom plan view thereof;
 FIG. 9 is a front perspective view showing the inner shell component of the case separately for clarity of disclosure;

FIG. 10 is a rear perspective view showing the inner shell component of the case separately for clarity of disclosure;
 FIG. 11 is a front perspective view showing the outer frame component of the case separately for clarity of disclosure;
 FIG. 12 is a rear perspective view showing the outer frame component of the case separately for clarity of disclosure;
 FIG. 13 is a front perspective view showing the support leg component of the case separately for clarity of disclosure;
 FIG. 14 is a rear perspective view showing the support leg component of the case separately for clarity of disclosure;
 FIG. 15 is an exploded front perspective view showing the components of the case separated for clarity of disclosure;
 FIG. 16 is an exploded rear perspective view showing the components of the case separated for clarity of disclosure;
 and,
 FIG. 17 is an enlarged detail view of the encircled region of FIG. 2.

Although the case for electronic communications device, in which the claimed design is embodied, has an inner shell component, an outer frame component, and a support leg component, the claim is directed to the overall ornamental appearance of the case in its entirety and does not extend to the ornamental appearance of each of the individual components in isolation.

The dot-dash broken line circle in FIG. 2 delineates a portion of the case that is part of the claimed design and that is shown on an enlarged scale in FIG. 17. The dashed broken line and unshaded region of the case delineated by the dashed broken lines in FIGS. 1, 9, and 15 form no part of the claimed design.

1 Claim, 17 Drawing Sheets

FIG. 1

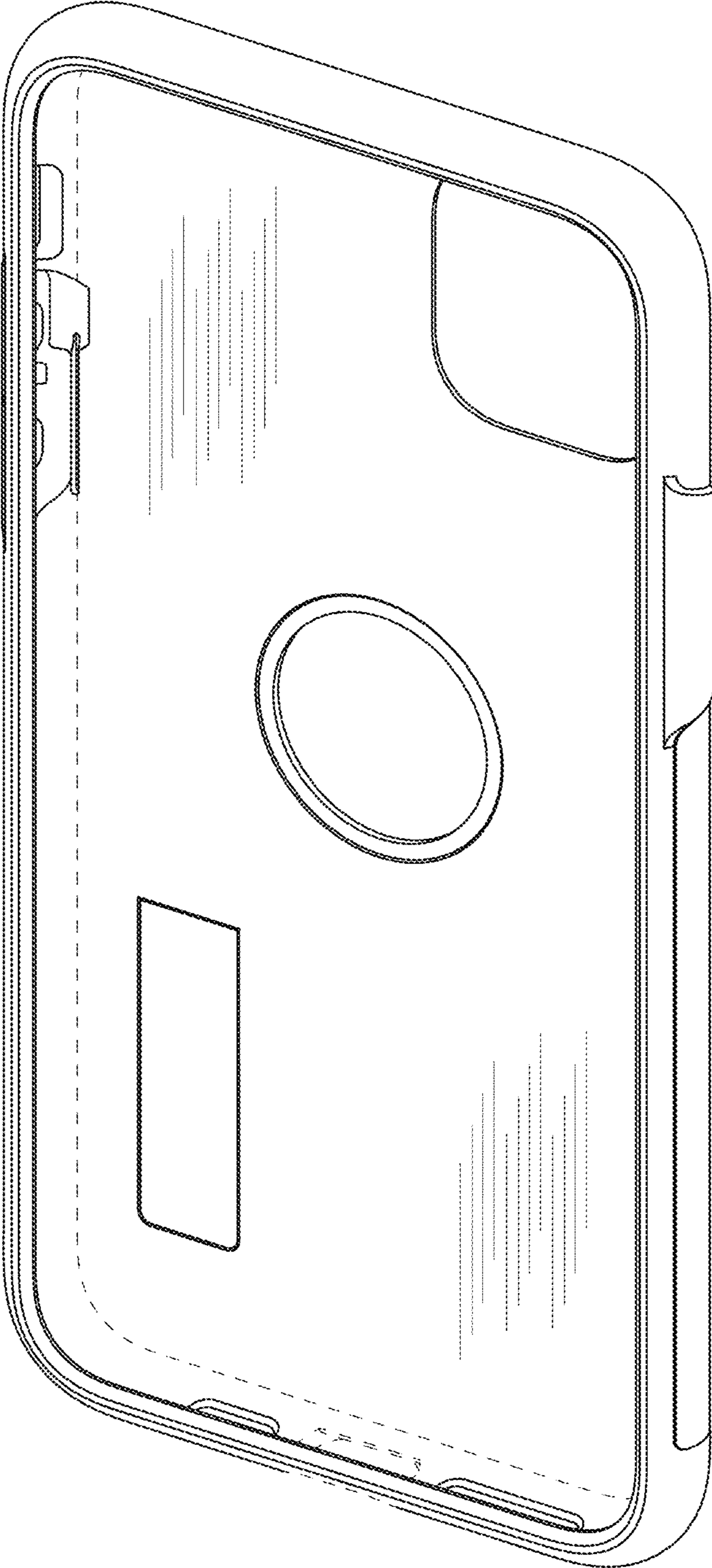


FIG. 2

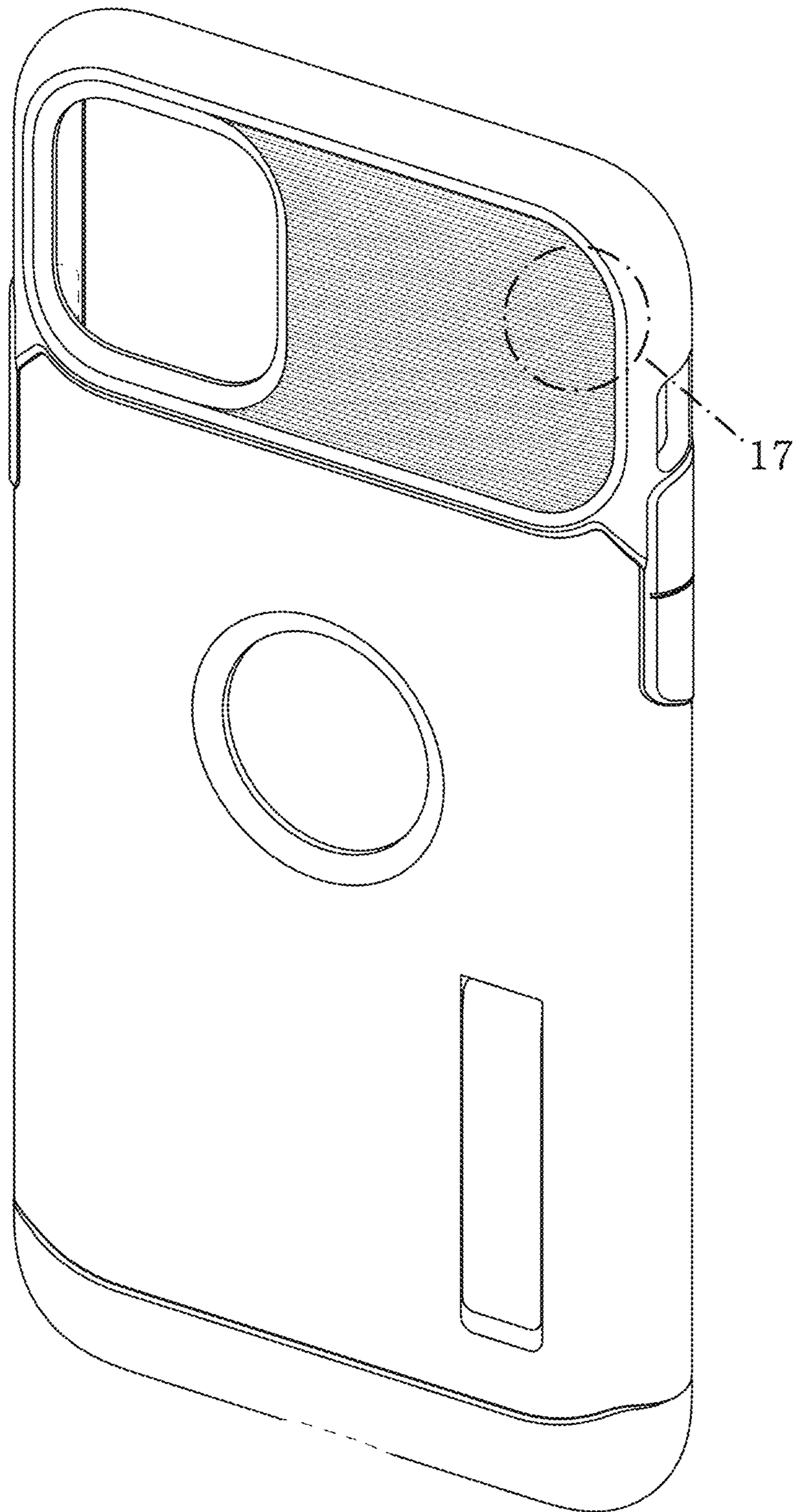


FIG. 3

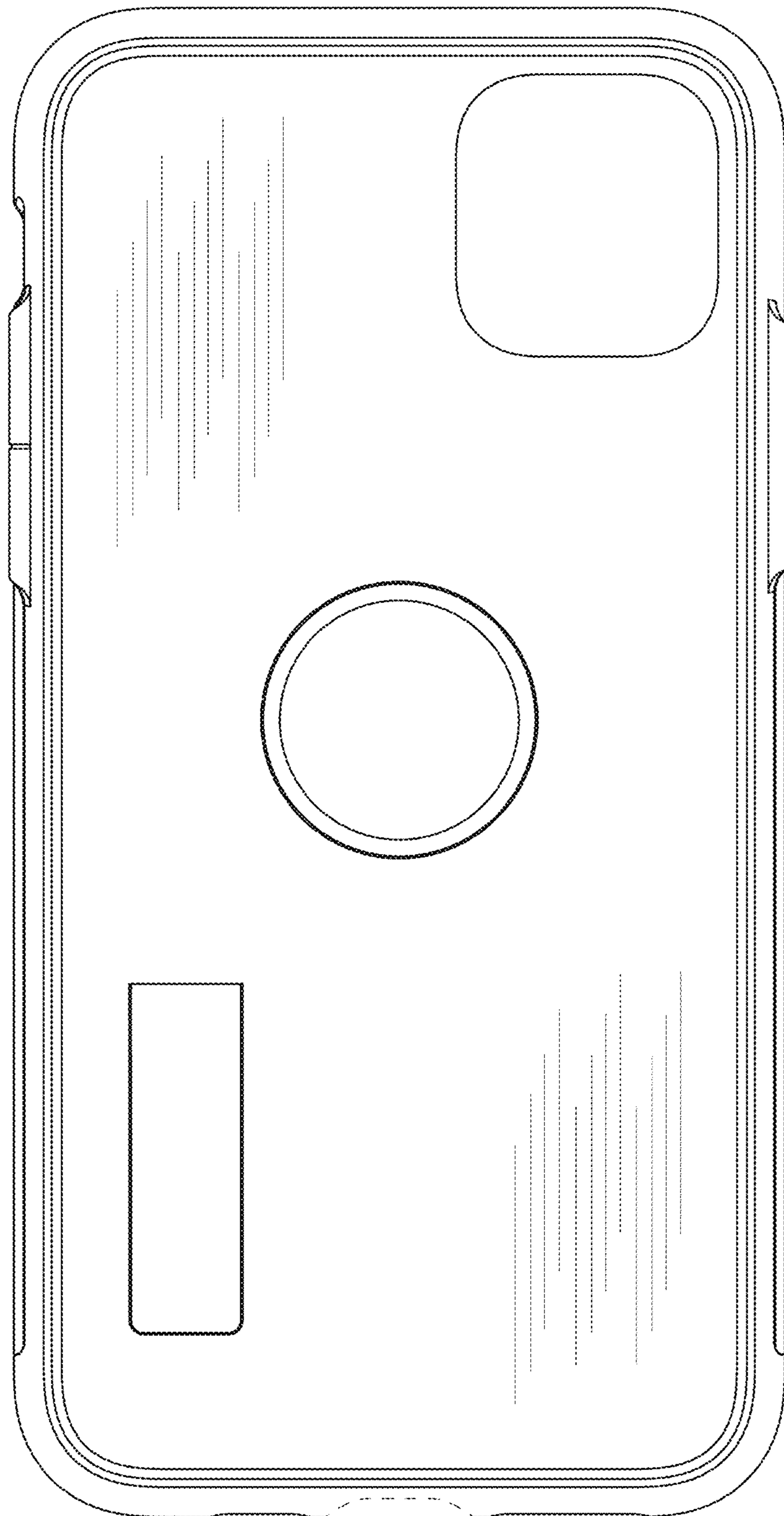


FIG. 4

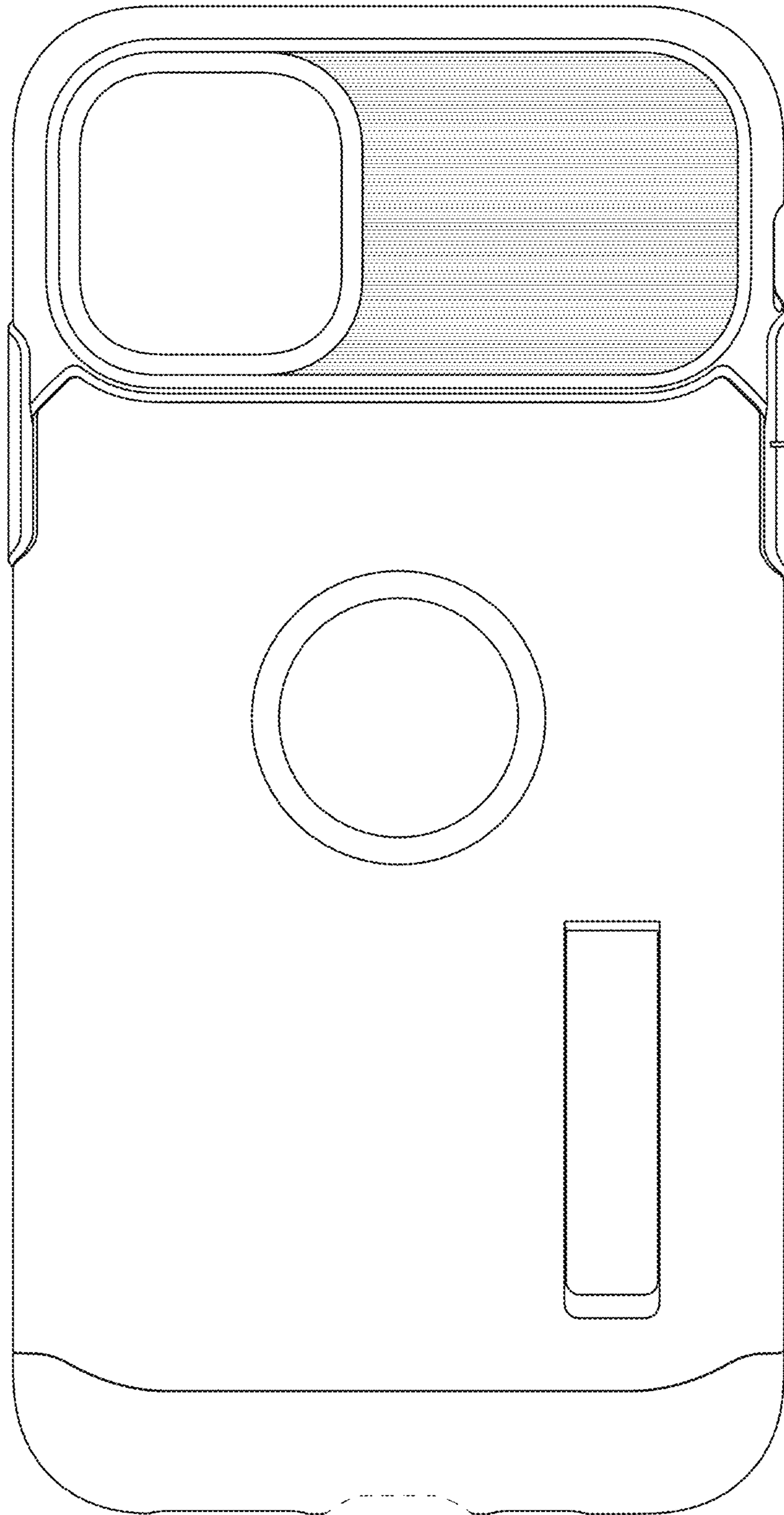


FIG. 5



FIG. 6

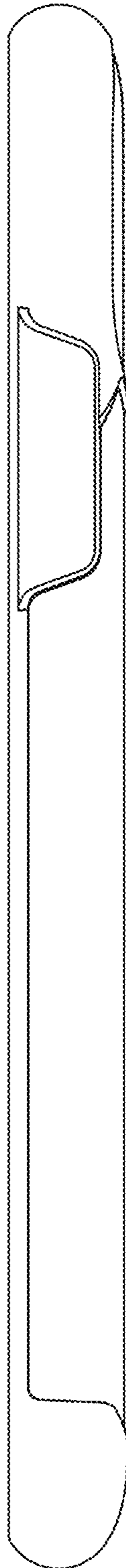


FIG. 7



FIG. 8

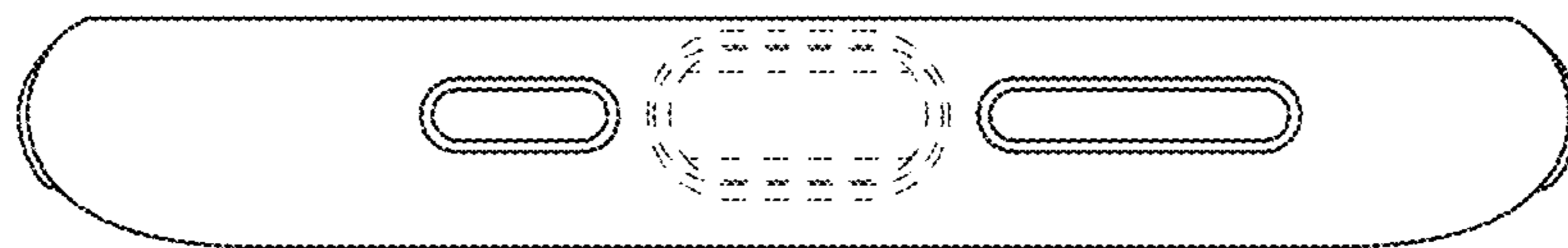


FIG. 9

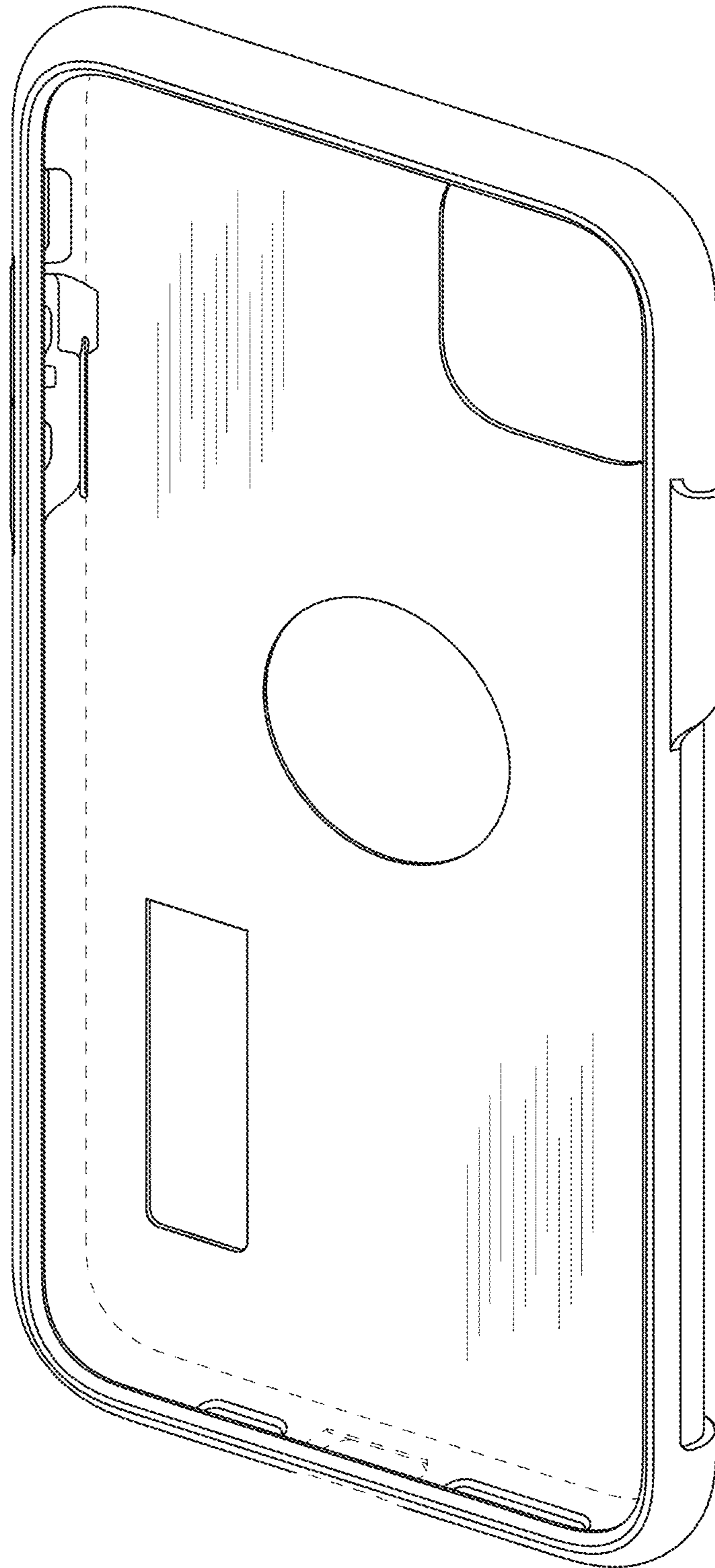


FIG. 10

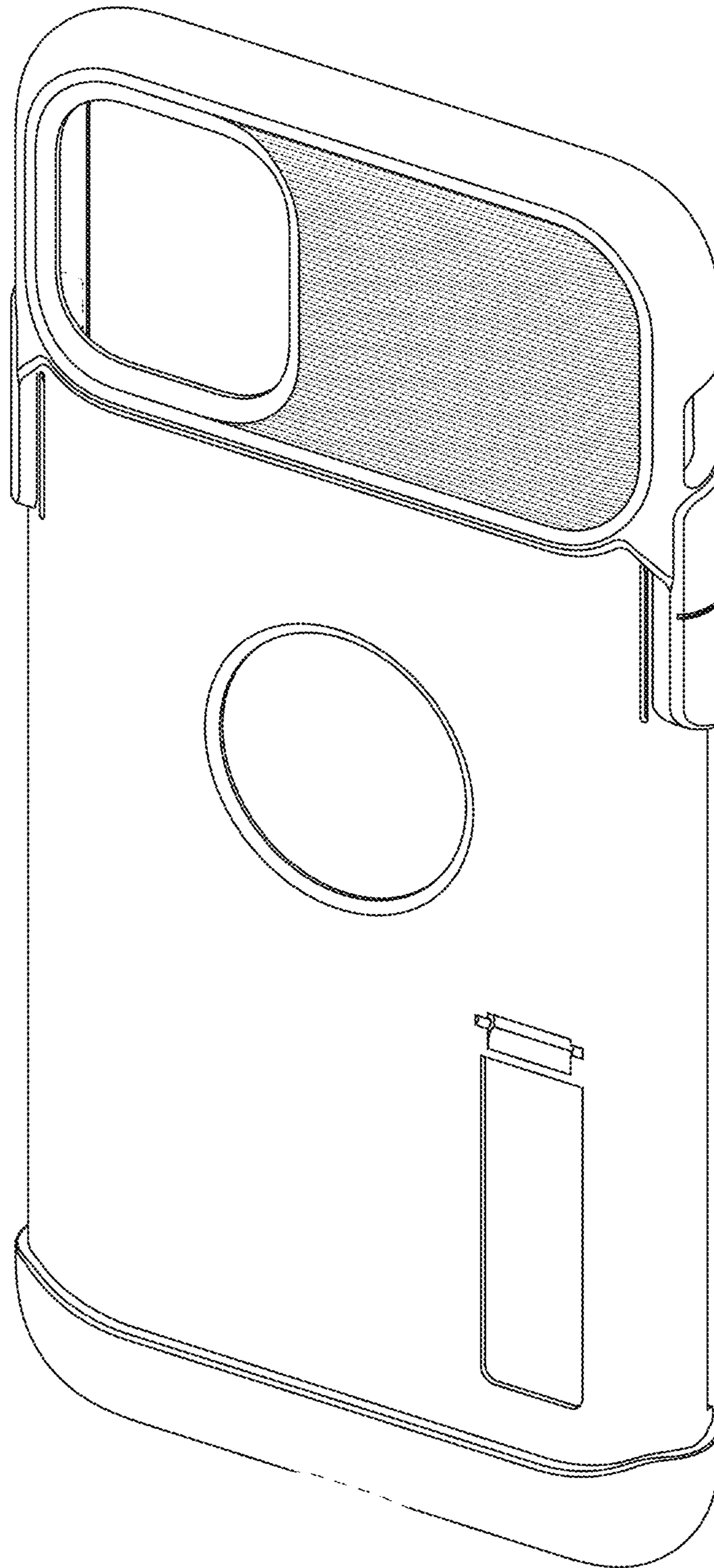


FIG. 11

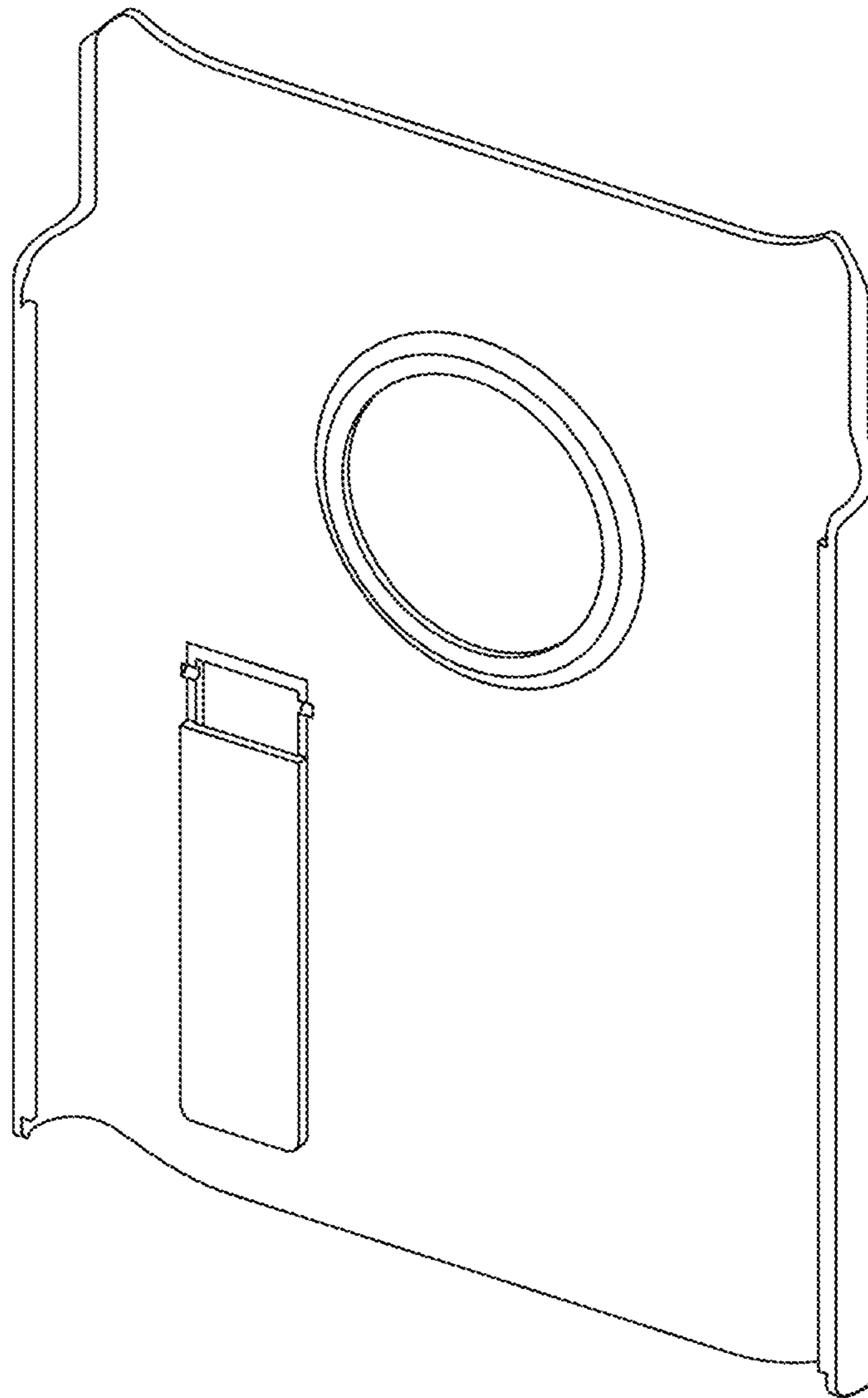


FIG. 12

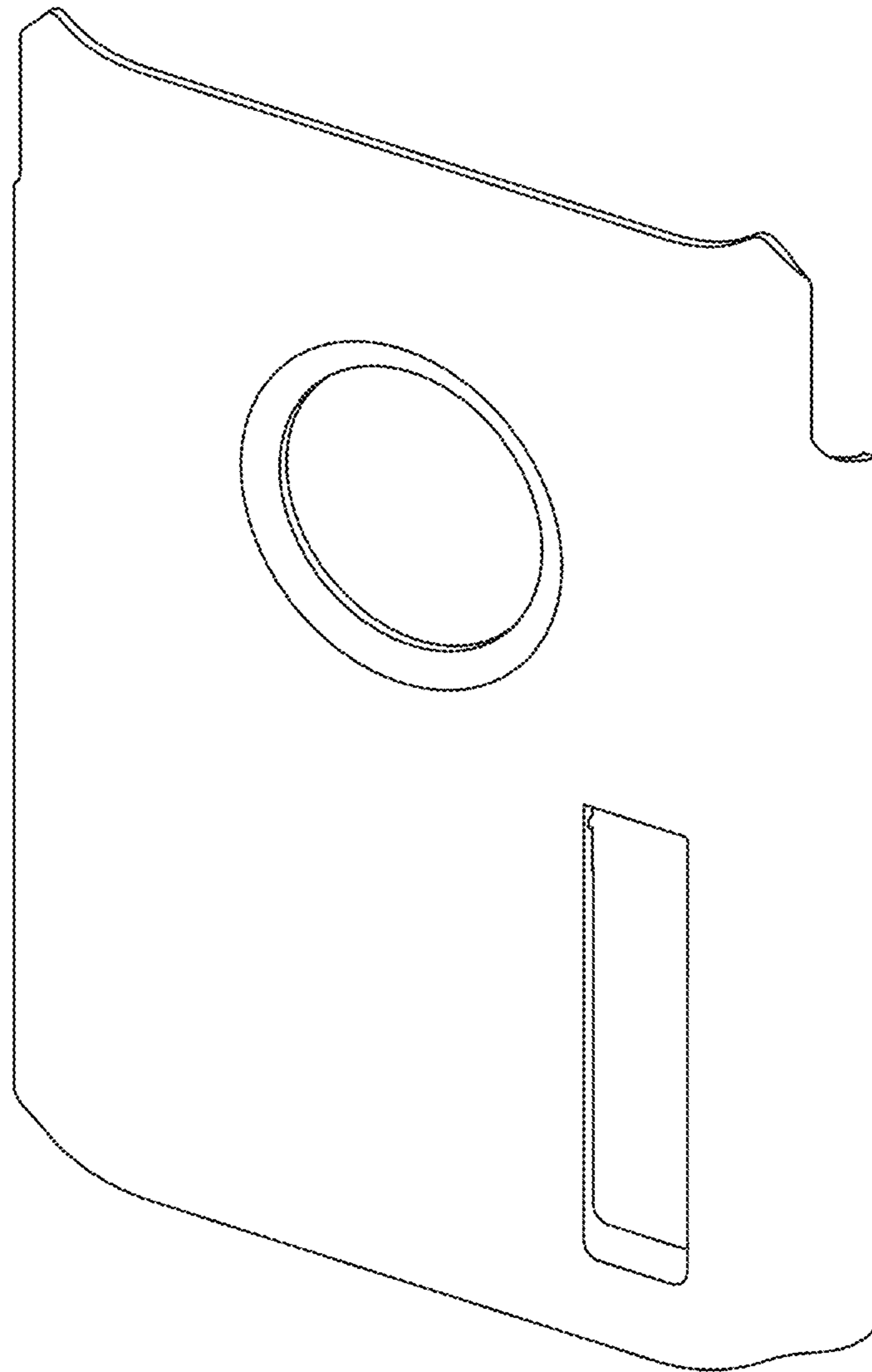


FIG. 13

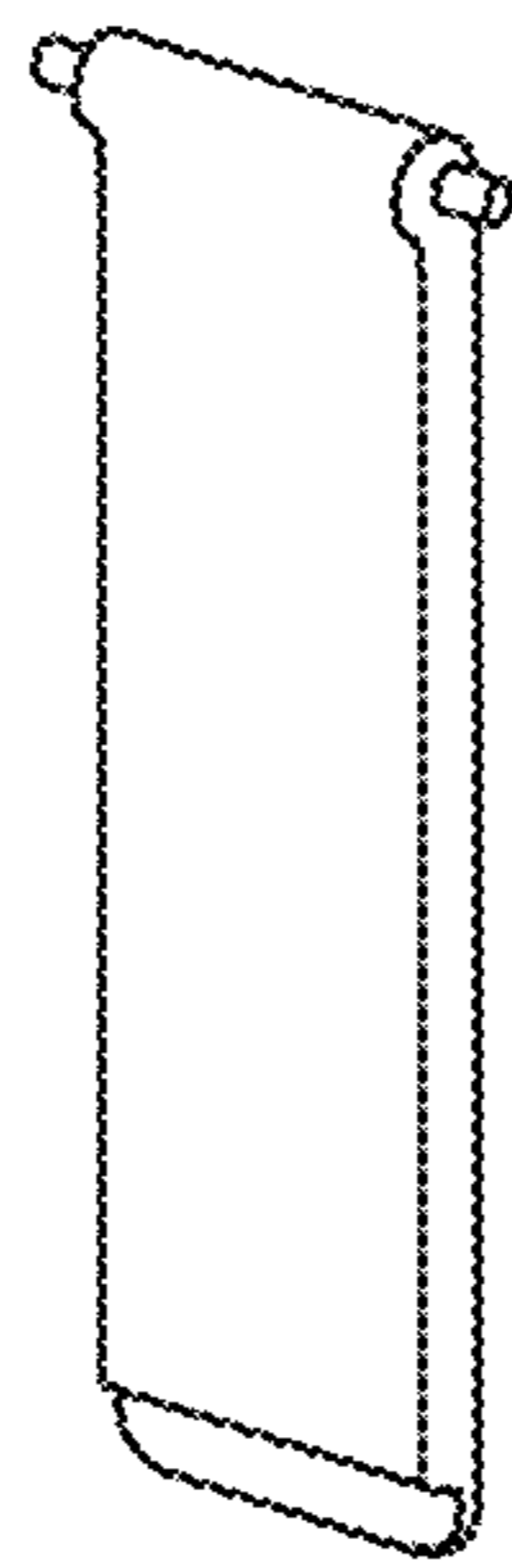


FIG. 14

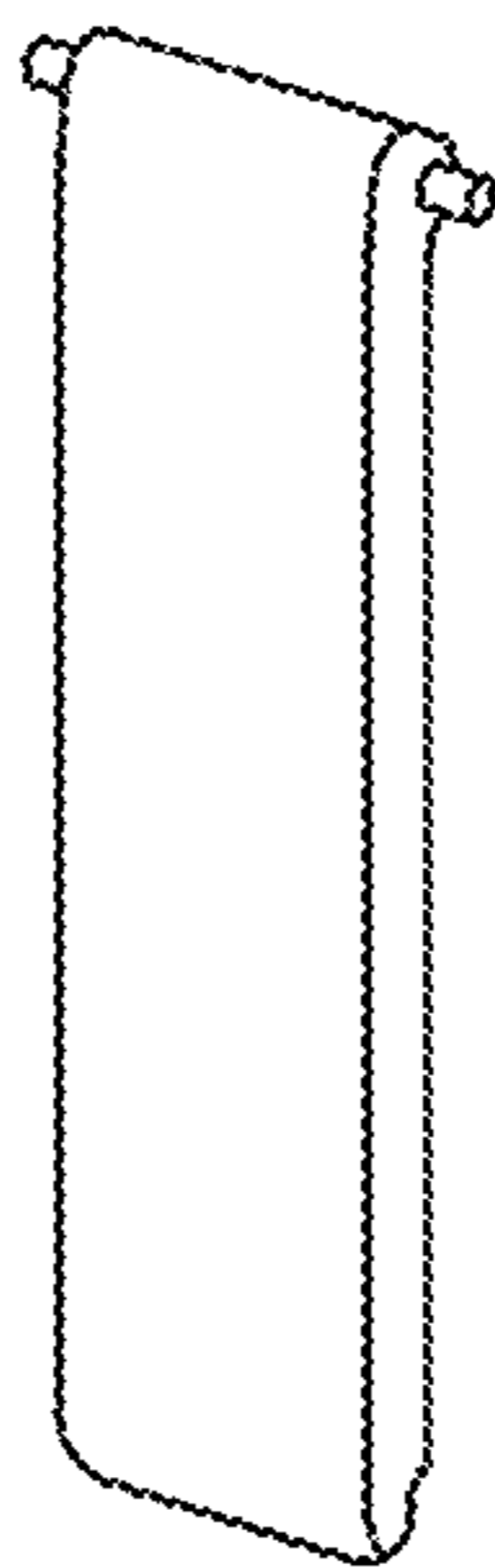


FIG. 15

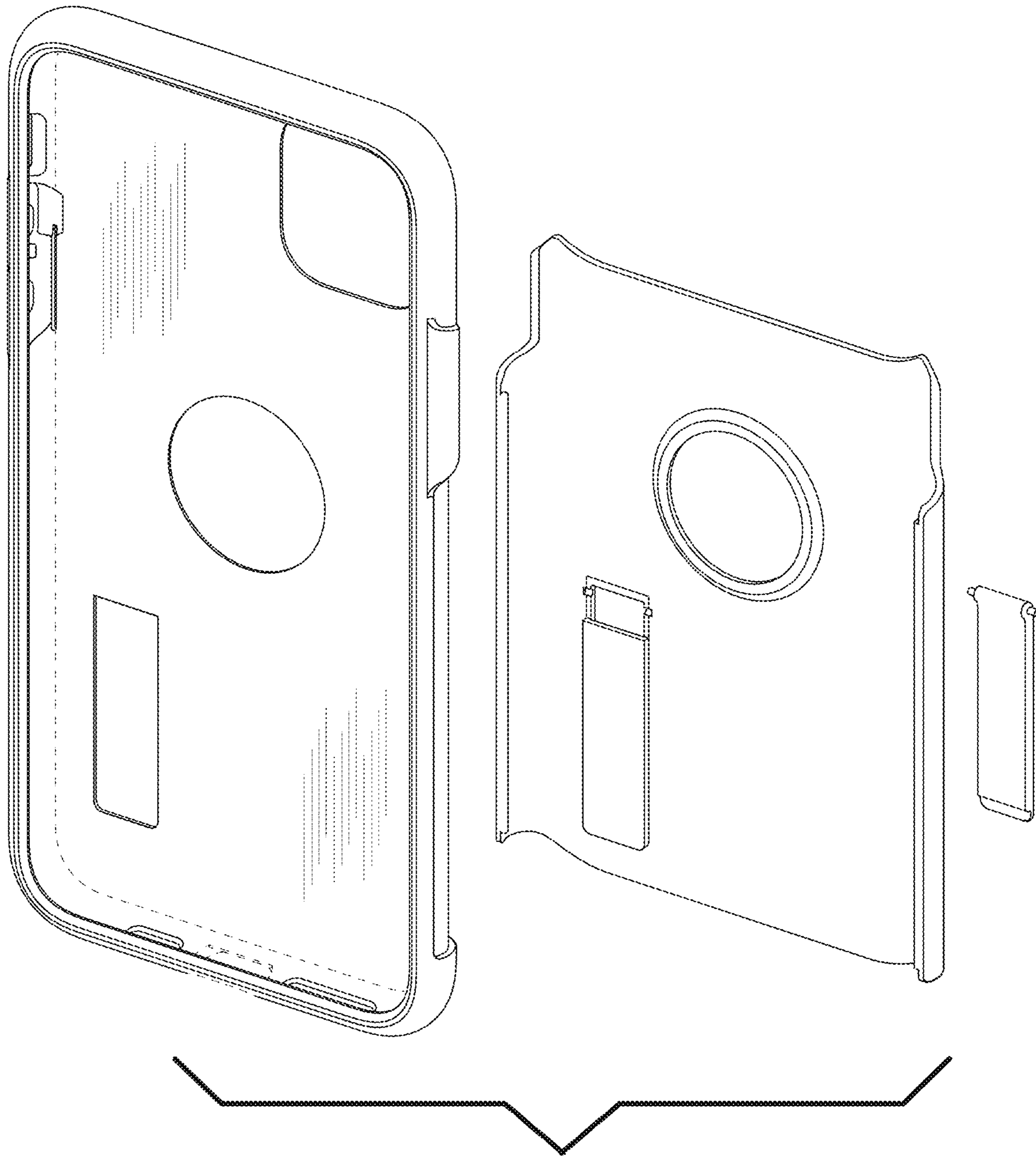


FIG. 16

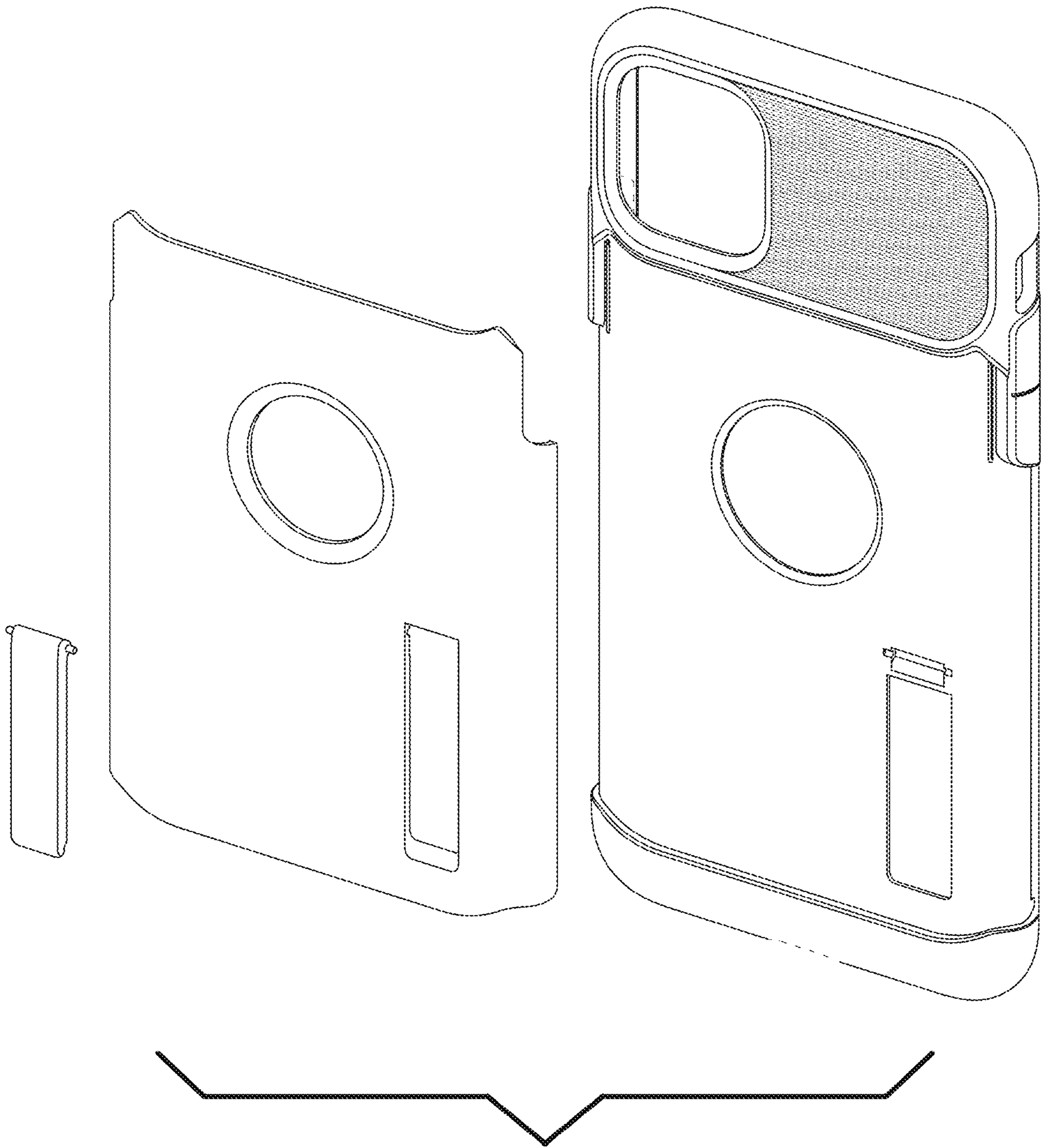


FIG. 17

