



US00D900083S

(12) **United States Design Patent** (10) **Patent No.:** **US D900,083 S**
Yoon (45) **Date of Patent:** **** Oct. 27, 2020**

(54) **CASE FOR ELECTRONIC COMMUNICATIONS DEVICE**

(74) *Attorney, Agent, or Firm* — Heedong Chae; Lucem, PC

(71) Applicant: **SPIGEN KOREA CO., LTD.**, Seoul (KR)

(57) **CLAIM**

The ornamental design for a case for electronic communications device, as shown and described.

(72) Inventor: **Tae Sung Yoon**, Seoul (KR)

DESCRIPTION

(73) Assignee: **SPIGEN KOREA CO., LTD.**, Seoul (KR)

(**) Term: **15 Years**

(21) Appl. No.: **29/697,697**

(22) Filed: **Jul. 10, 2019**

(51) **LOC (12) Cl.** **14-03**

(52) **U.S. Cl.**

USPC **D14/250**

(58) **Field of Classification Search**

USPC D14/440, 203.3–203.7, 439, 238.1, D14/251–253, 447, 217, 240, 248, 250;

(Continued)

(56) **References Cited**

U.S. PATENT DOCUMENTS

D625,303 S 10/2010 Kim
D632,685 S 2/2011 Richardson

(Continued)

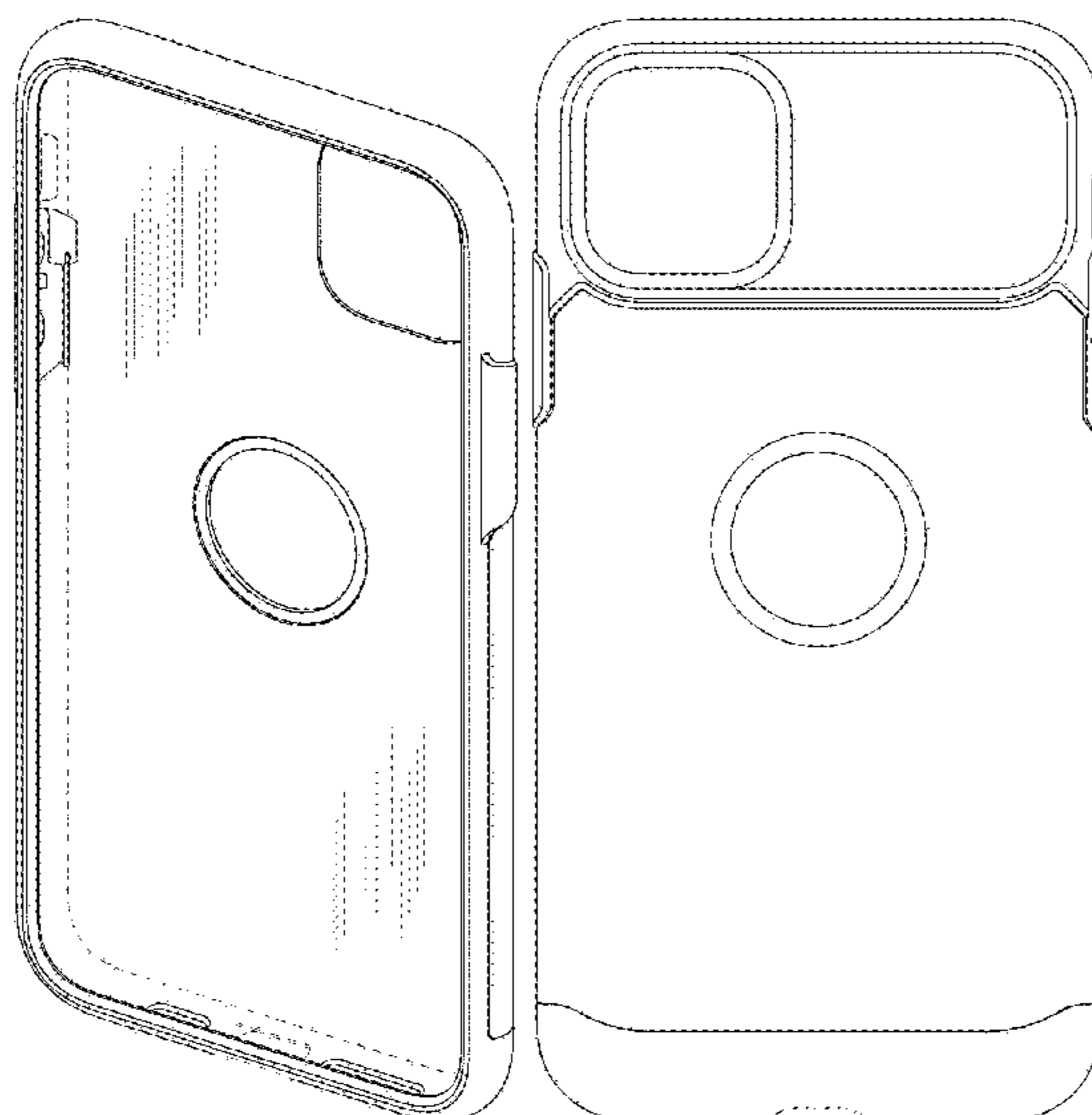
OTHER PUBLICATIONS

“Spigen Slim Armor iPhone 5S /SE/5 Case with Advanced Drop Protection and Dual Layer Design for iPhone 5S / iPhone SE /iPhone 5—Metal Slate”, <https://www.amazon.com/dp/B00DD62R40>, Earliest review date of Dec. 14, 2012, Downloaded on Sep. 18, 2018.

(Continued)

Primary Examiner — Carla J Wright

1 Claim, 14 Drawing Sheets



(58) **Field of Classification Search**

USPC D3/201, 218, 247, 269, 273, 301, 303;
 D13/103, 119, 107–108
 CPC H04B 1/3888; H04M 1/0283; H04M
 1/0202; A45C 1/06; A45C 11/00; A45C
 13/02; A45C 2011/002; A45F 2005/026;
 A45F 2200/0525; A45F 2200/0516
 See application file for complete search history.

(56) **References Cited**

U.S. PATENT DOCUMENTS

D643,029	S	8/2011	Feng	
D648,332	S	11/2011	Kim et al.	
D657,782	S	4/2012	Biller	
D673,547	S	1/2013	Melanson	
D676,844	S	2/2013	Weller	
D679,271	S	4/2013	Liu	
D681,022	S	4/2013	Chang	
8,517,172	B1	8/2013	Chang	
D689,852	S	9/2013	Azoulay	
D692,419	S *	10/2013	Rayner	D14/250
D698,767	S	2/2014	Son	
D703,652	S	4/2014	Melanson	
D703,653	S	4/2014	Brubaker et al.	
D703,655	S	4/2014	Melanson	
D704,688	S	5/2014	Reivo	
D706,254	S	6/2014	Chang	
D712,386	S *	9/2014	Lu	D14/250
D714,274	S	9/2014	Jung	
D717,774	S	11/2014	Fathollahi	
D717,778	S	11/2014	Zermeno	
D718,292	S	11/2014	Hemesath et al.	
D736,205	S	8/2015	Park	
D739,391	S	9/2015	Chen	
D739,394	S *	9/2015	Rayner	D14/250
D741,279	S	10/2015	Tai	
D753,099	S	4/2016	Kim	
D756,909	S *	5/2016	Gupta	D13/103
D763,842	S	8/2016	Chang et al.	
D765,644	S *	9/2016	Witter	D14/250
D767,553	S	9/2016	Fathollahi	
D771,028	S	11/2016	Kim	
D771,607	S	11/2016	Kim	
D771,608	S	11/2016	Kim et al.	
D772,209	S	11/2016	Kim	
D776,104	S	1/2017	Tien	
D776,649	S	1/2017	Kim	
D777,155	S *	1/2017	Kim	D14/250
D777,156	S	1/2017	Kim	
D777,716	S	1/2017	Kim	
D777,717	S	1/2017	Kim	
D778,897	S	2/2017	Kim	
D778,898	S	2/2017	Kim	
D780,166	S	2/2017	Lin	
D780,167	S	2/2017	Tien	
D782,453	S	3/2017	Kim	
D786,851	S	5/2017	Kim	
D787,492	S	5/2017	Kim	
D788,090	S	5/2017	Kim	
9,661,116	B1	5/2017	Chung	
D789,344	S	6/2017	Kim	
D797,094	S	9/2017	Kim	
D798,284	S *	9/2017	Kim	D14/250
D800,713	S *	10/2017	Kim	D14/250
D803,206	S	11/2017	Kim	
D806,063	S	12/2017	Kim	
D813,219	S *	3/2018	Hyun	D14/250
D816,650	S *	5/2018	Jia	D14/250
D820,819	S	6/2018	Kim	
D824,377	S	7/2018	Kim et al.	
D827,627	S	9/2018	Lee	
D828,346	S *	9/2018	Kim	D14/250
D832,833	S *	11/2018	Kim	D14/250
D836,095	S *	12/2018	Kim	D14/250
D836,623	S *	12/2018	Hyun	D14/250
D839,861	S *	2/2019	Kim	D14/250

D840,992	S	2/2019	Kim	
D841,637	S	2/2019	Kim	
D841,640	S *	2/2019	Huang	D14/250
D849,734	S *	5/2019	Wu	D14/250
D851,638	S *	6/2019	Kim	D14/250
D852,181	S *	6/2019	Kim	D14/250
D853,371	S *	7/2019	Wei	D14/250
D853,372	S *	7/2019	Kim	D14/250
10,361,742	B2 *	7/2019	Kim	F16M 11/00
10,362,847	B1 *	7/2019	Okada	A45C 11/00
2012/0018323	A1	1/2012	Johnson	
2016/0101902	A1	4/2016	Kim	
2016/0204817	A1	7/2016	Kim	
2016/0269516	A1	9/2016	Kim	
2016/0285301	A1	9/2016	Kim	

OTHER PUBLICATIONS

“Spigen Slim Armor View Galaxy S4 Case with Automatic Sleep / Wake Feature for Galaxy S4 2013—Soul Black”, <https://www.amazon.com/dp/B00DCCVS5Y>, Earliest review date of Mar. 18, 2013, Downloaded on Feb. 19, 2019.

“Spigen Slim Armor Nexus 5 Case with Air Cushion Technology and Hybrid Drop Protection for Nexus 5 2013—Infinity White”, <https://www.amazon.com/dp/B00EV8Y7X1>, Earliest review date of Nov. 4, 2013, Downloaded on Jan. 16, 2019.

“Spigen Slim Armor View Galaxy S5 Case with Automatic Sleep / Wake Feature for Samsung Galaxy S5 2014—View Smooth White”, <https://www.amazon.com/dp/B00KGGO2EI>, Earliest review date of Jan. 18, 2014, Downloaded on Jan. 16, 2019.

“Spigen Slim Armor Galaxy S5 Case with Air Cushion Technology and Hybrid Drop Protection for Samsung Galaxy S5 2014—Metal Slate”, <https://www.amazon.com/dp/B00I3UWD7C>, Earliest review date of Apr. 11, 2014, Downloaded on Sep. 18, 2018.

“Spigen Slim Armor LG G3 Case with Air Cushion Technology and Hybrid Drop Protection for LG G3 2014—Metal Slate”, <https://www.amazon.com/dp/B00JQI2G5O>, Earliest review date of Jul. 9, 2014, Downloaded on Jan. 16, 2019.

“Spigen Slim Armor iPhone 6 Case with Air Cushion Technology and Hybrid Drop Protection for iPhone 6 2014—Gunmetal”, <https://www.amazon.com/dp/B00JH88GB6>, Earliest review date of Aug. 13, 2014, Downloaded on Sep. 18, 2018.

“Spigen Slim Armor iPhone 6 Plus Case with Air Cushion Technology and Hybrid Drop Protection for iPhone 6S Plus / iPhone 6 Plus—Shimmery White”, <https://www.amazon.com/dp/B00JH83C6U>, Earliest review date of Sep. 12, 2014, Downloaded on Sep. 18, 2018.

“Spigen Slim Armor Galaxy Note 4 Case with Air Cushion Technology and Hybrid Drop Protection for Samsung Galaxy Note 4 2014—Shimmery White”, <https://www.amazon.com/dp/B00MAWQPJQ>, Earliest review date of Oct. 7, 2014, Downloaded on Jul. 30, 2018.

“Spigen Slim Armor Galaxy S6 Case with Air Cushion Technology and Hybrid Drop Protection with Kickstand for Samsung Galaxy S6 (2015)—Shimmery White”, <https://www.amazon.com/dp/B00QU4NQMY>, Earliest review date of Mar. 21, 2015, Downloaded on Sep. 18, 2018.

“Spigen Slim Armor HTC One M9 Case with Kickstand and Air Cushion Technology Hybrid Drop Protection for HTC One M9 2015—Metal Slate”, <https://www.amazon.com/dp/B00SNOTASI>, Earliest review date of Mar. 31, 2015, Downloaded on Jan. 16, 2019.

Spigen Slim Armor Galaxy S6 Edge Case with Kickstand and Air Cushion Technology and Hybrid Drop Protection for Galaxy S6 Edge 2015—Gunmetal, <https://www.amazon.com/dp/B00SV638ZE>, Earliest review date of Apr. 3, 2015, Downloaded on Sep. 18, 2018.

“Spigen Slim Armor Galaxy Note 5 Case with Air Cushion Technology and Hybrid Drop Protection for Galaxy Note 5 2015—Metal Slate”, <https://www.amazon.com/dp/B010MWHIKA>, Earliest review date of Aug. 21, 2015, Downloaded on Jul. 18, 2018.

“Spigen Slim Armor iPhone 6S Case with Kickstand and Air Cushion Technology Hybrid Drop Protection for iPhone 6S 2015—

(56)

References Cited

OTHER PUBLICATIONS

Rose Gold”, <https://www.amazon.com/dp/B012PKFAQ6>, Earliest review date of Sep. 1, 2015, Downloaded on Sep. 18, 2018.

Korguenkomodo, “Slim Armor case—Galaxy S6 Edge Plus”, Published on Oct. 12, 2015, Downloaded on Mar. 19, 2019.

“Spigen Slim Armor LG V10 Case with Air Cushion Technology and Hybrid Drop Protection for LG V10—Gunmetal”, <https://www.amazon.com/dp/B016X1FODW>, Earliest review date of Nov. 16, 2015, Downloaded on Sep. 18, 2018.

“Spigen Slim Armor Galaxy S7 Edge Case with Kickstand and Air Cushion Technology and Hybrid Drop Protection for Samsung Galaxy S7 Edge 2016—Champagne Gold”, <https://www.amazon.com/dp/B01BEBBWY6>, Earliest review date of Feb. 26, 2016, Downloaded on Sep. 18, 2018.

“Spigen Slim Armor Galaxy S7 Case with Air Cushion Technology and Hybrid Drop Protection for Samsung Galaxy S7 2016—Violet”, <https://www.amazon.com/dp/B01AUR1D8K>, Earliest review date of Mar. 2, 2016, Downloaded on Sep. 18, 2018.

“Spigen Slim Armor iPhone SE Case with Air Cushion Technology and Hybrid Drop Protection for iPhone SE 2016—Rose Gold”, <https://www.amazon.com/dp/B01BEJOH5E>, Earliest review date of Apr. 6, 2016, Downloaded on Jan. 16, 2019.

“Spigen Slim Armor LG G5 Case with Air Cushion Technology and Hybrid Drop Protection for LG G5 2016—Shimmery White”, <https://www.amazon.com/dp/B01B1GQIHA>, Earliest review date of Apr. 7, 2016, Downloaded on Sep. 18, 2018.

“Spigen Slim Armor HTC 10 Case with Kickstand and Air Cushion Technology Hybrid Drop Protection for HTC 10 2016—Champagne Gold”, <https://www.amazon.com/dp/B01DAN2WTA>, Earliest review date of May 6, 2016, Downloaded on Jan. 16, 2019.

“Spigen Slim Armor iPhone 7 iPhone 8 Case with Kickstand and Air Cushion Technology Hybrid Drop Protection for Apple iPhone 7 (2016) / iPhone 8 (2017)—Black”, <https://www.amazon.com/dp/B01HMY5WKY>, Earliest review date of Sep. 12, 2016, Downloaded on Sep. 18, 2018.

“Spigen Slim Armor iPhone 7 Plus Case with Kickstand and Air Cushion Technology Hybrid Drop Protection for Apple iPhone 7 Plus (2016)—Black”, <https://www.amazon.com/dp/B01HMY5Y3E>, Earliest review date of Sep. 22, 2016, Downloaded on Jan. 16, 2019.

“Spigen Slim Armor Google Pixel XL Case with Kickstand and SF Coated Non Slip Matte Surface and Air Cushion Technology Protection for Google Pixel XL 2016—Black”, <http://www.amazon.com/dp/B01M0FIVZ3>, Earliest review date of Oct. 20, 2016, downloaded on Jan. 16, 2019.

“Spigen Slim Armor LG G6 Case with Air Cushion Technology and Hybrid Drop Protection for LG G6 (2017)—Champagne Gold”, <http://www.amazon.com/dp/B01N1395SE>, Earliest review date of Mar. 25, 2017, downloaded on Sep. 18, 2018.

“Spigen Slim Armor Galaxy A5 2017 Case with Air Cushion Technology and Hybrid Drop Protection with Kickstand for Samsung Galaxy A5 2017—Metal Slate”, <http://www.amazon.com/dp/B01MTA3AAN>, Earliest review date of Apr. 1, 2017, downloaded on Sep. 18, 2018.

“Spigen Slim Armor Galaxy S8 Plus Case with Air Cushion Technology and Hybrid Drop Protection for Galaxy S8 Plus (2017)—Orchid Gray”, <http://www.amazon.com/dp/B0716CZ3Z1>, Earliest review date of Apr. 8, 2017, downloaded on Jul. 18, 2018.

“Spigen Slim Armor S8 Case with Air Cushion Technology and Hybrid Drop Protection for Samsung S8 (2017)—Black”, <http://www.amazon.com/dp/B01LP5XLOK>, Earliest review date of Apr. 22, 2017, downloaded on Sep. 18, 2018.

“Spigen Slim Armor Galaxy Note P Case with Air Cushion Technology and Hybrid Drop Protection for Galaxy Note P (2017)—Metal Slate”, <https://www.amazon.com/Spigen-Galaxy-Cushion-Technology-Protection/dp/B073RWL7WP>, Earliest review date of Nov. 28, 2017, downloaded on Jan. 16, 2019.

“Spigen Slim Armor iPhone A Case with Air Cushion Technology and Hybrid Drop Protection for iPhone A (2017)—Rose Gold”, <https://www.amazon.com/Spigen-Apple-iPhone-Slim-Armor/dp/B074CMJY4J>, Earliest review date of Feb. 14, 2018, downloaded on Jan. 16, 2019.

* cited by examiner

FIG. 1

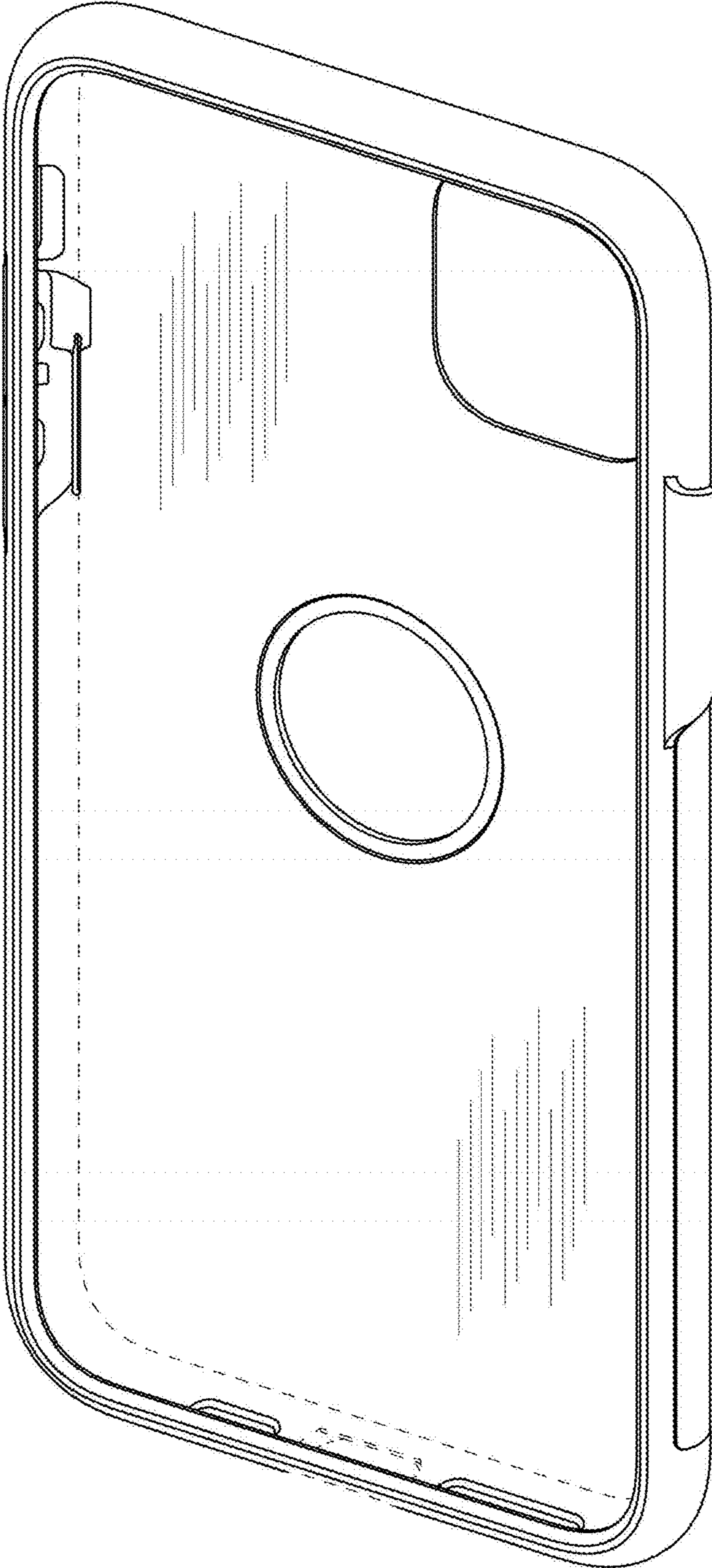


FIG. 2

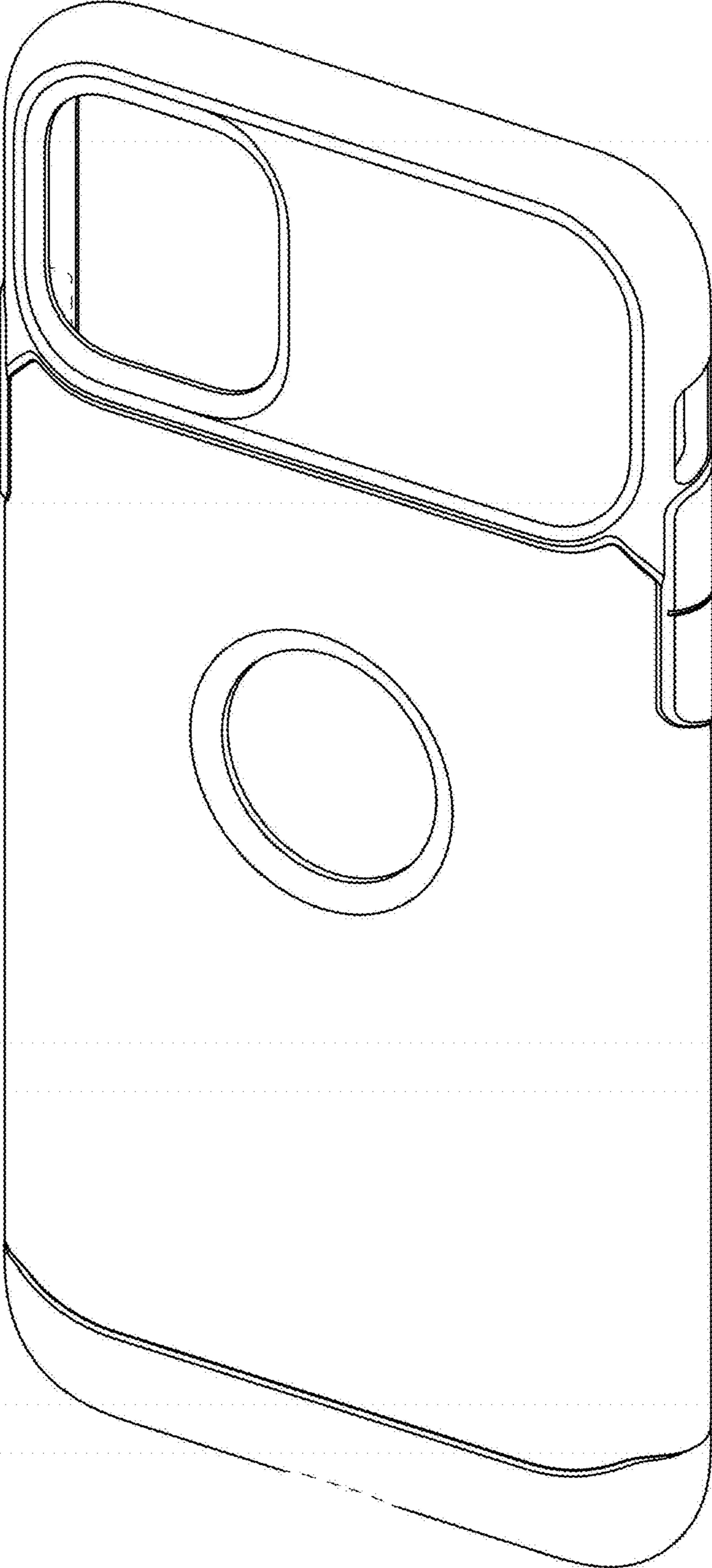


FIG. 3

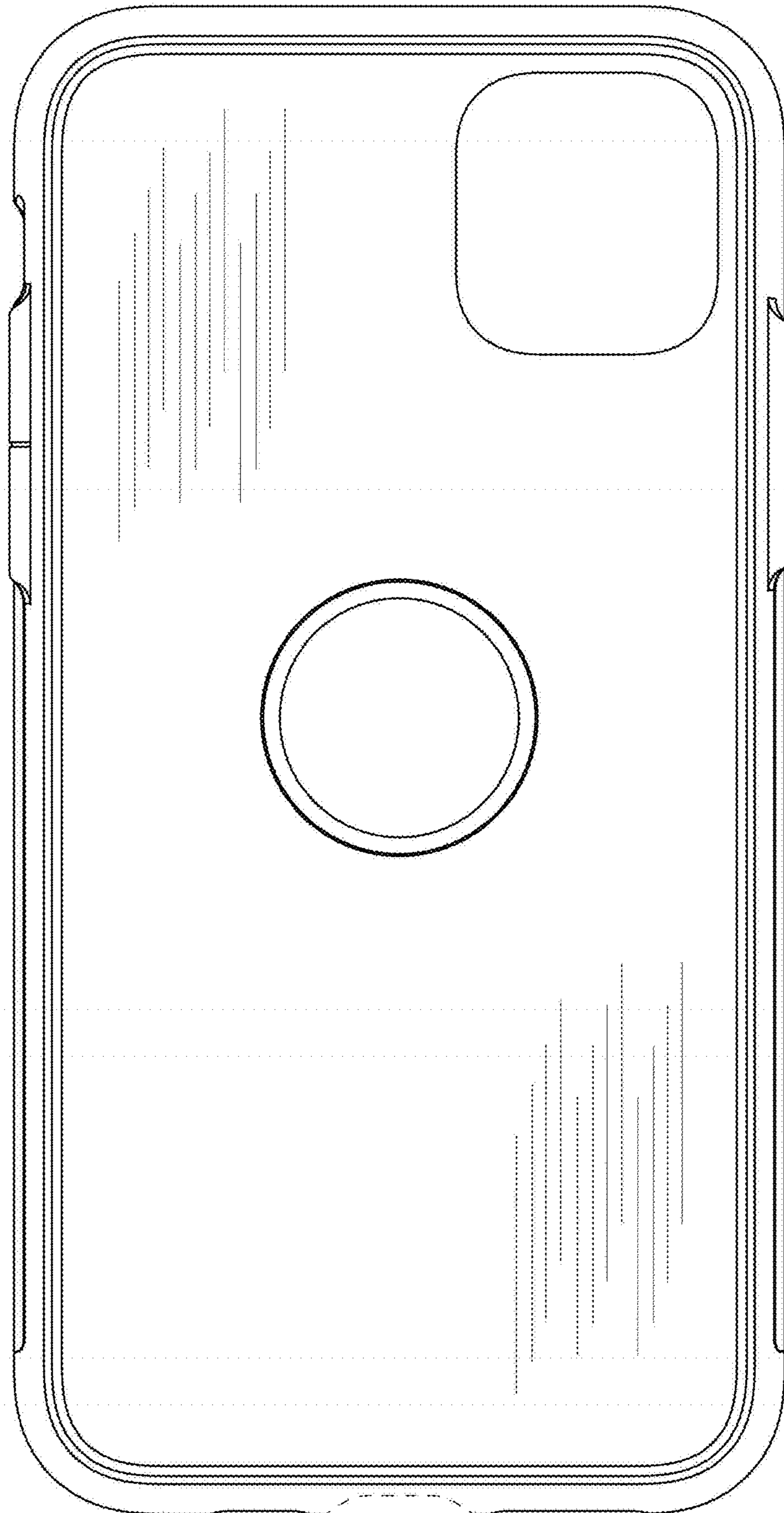


FIG. 4

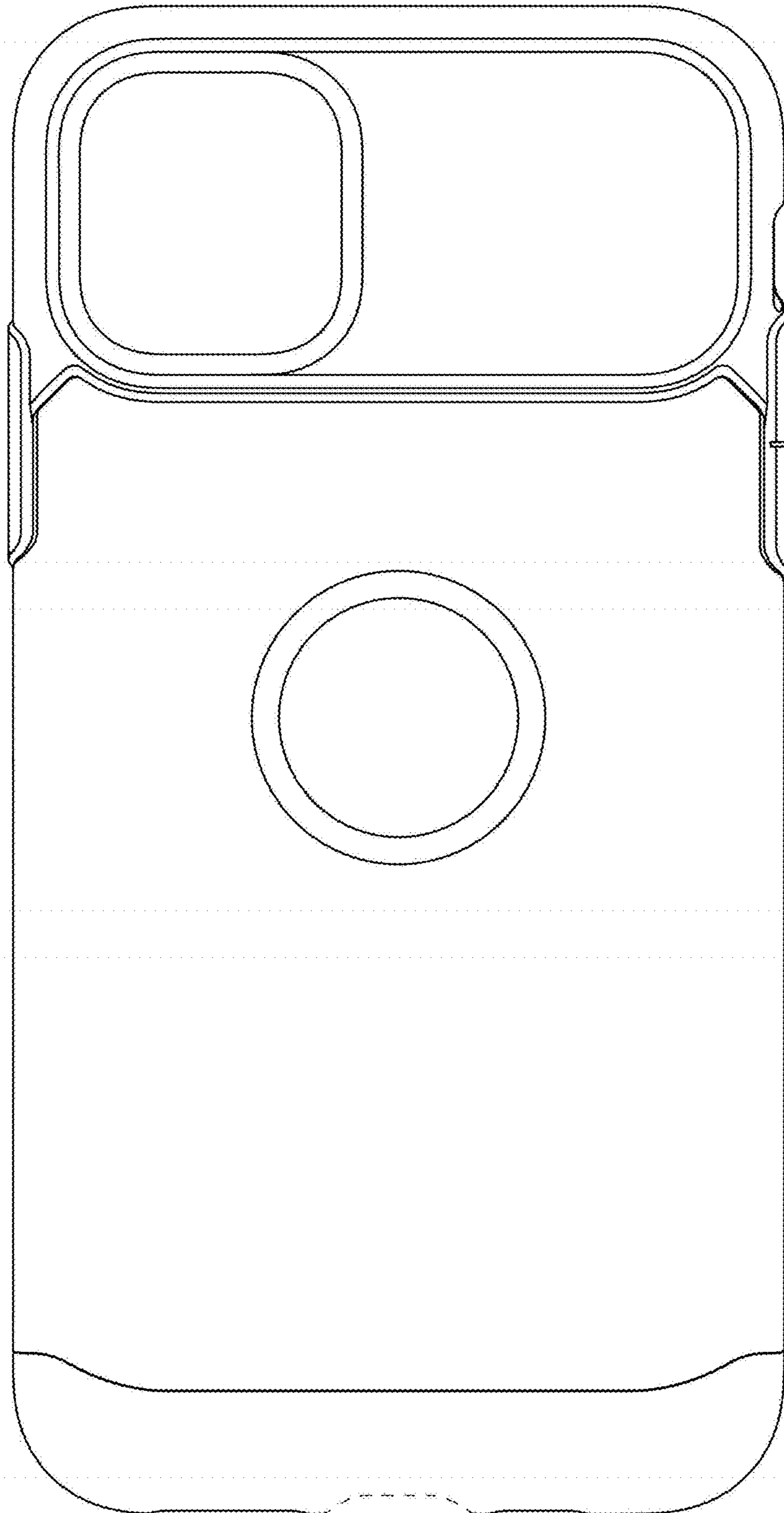


FIG. 5

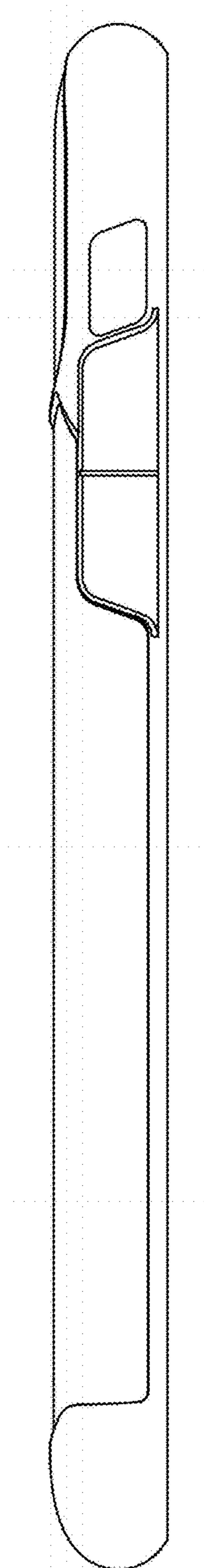


FIG. 6

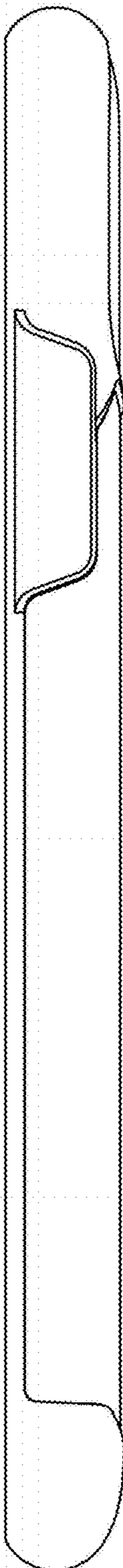


FIG. 7

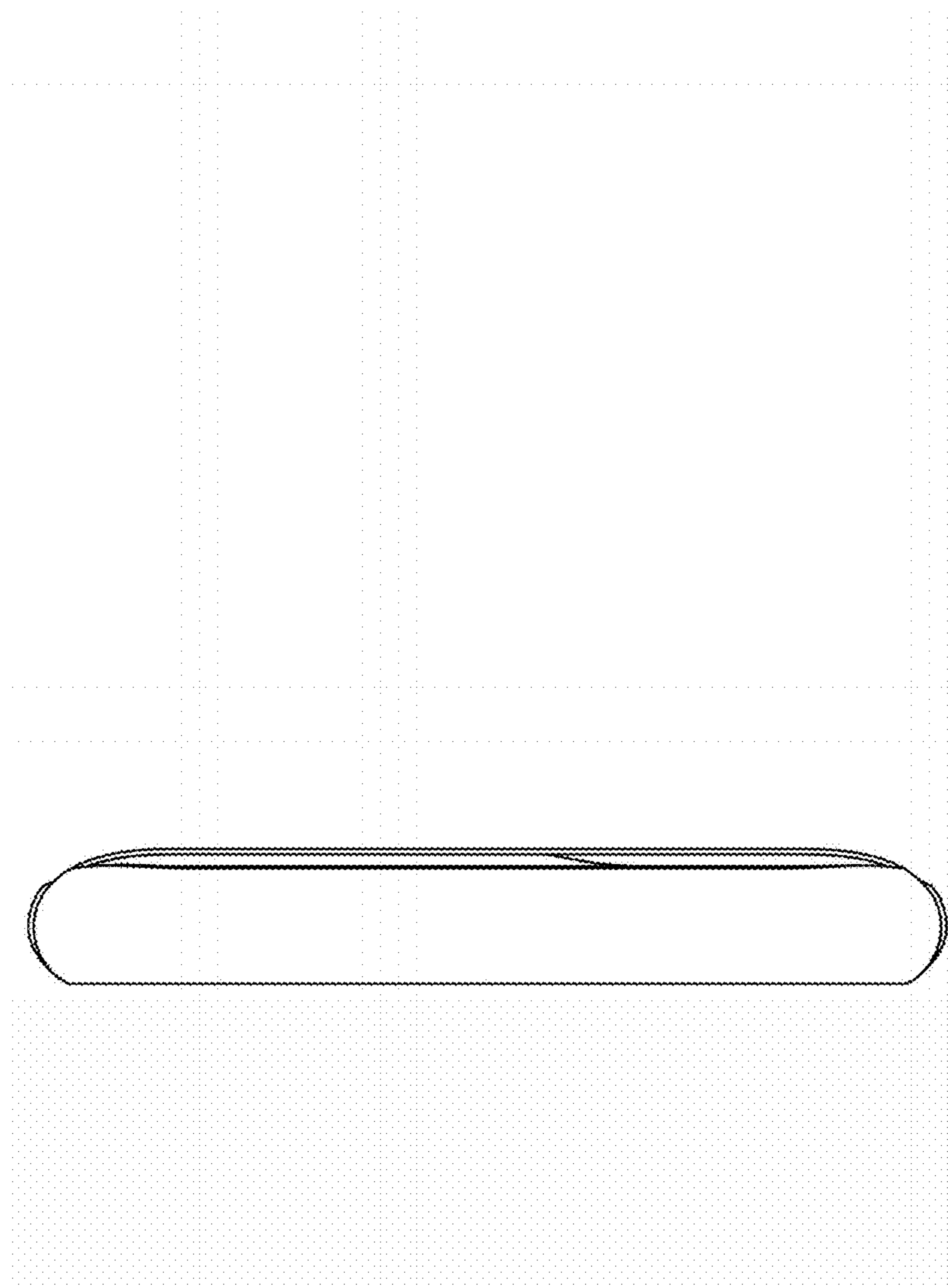


FIG. 8

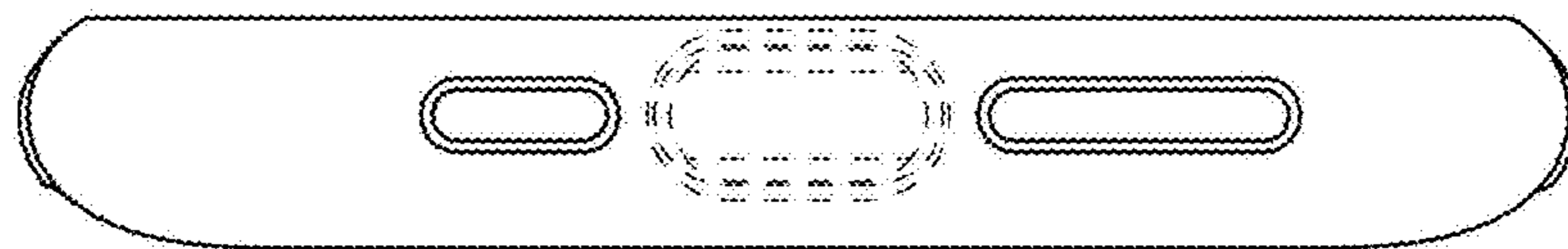


FIG. 9

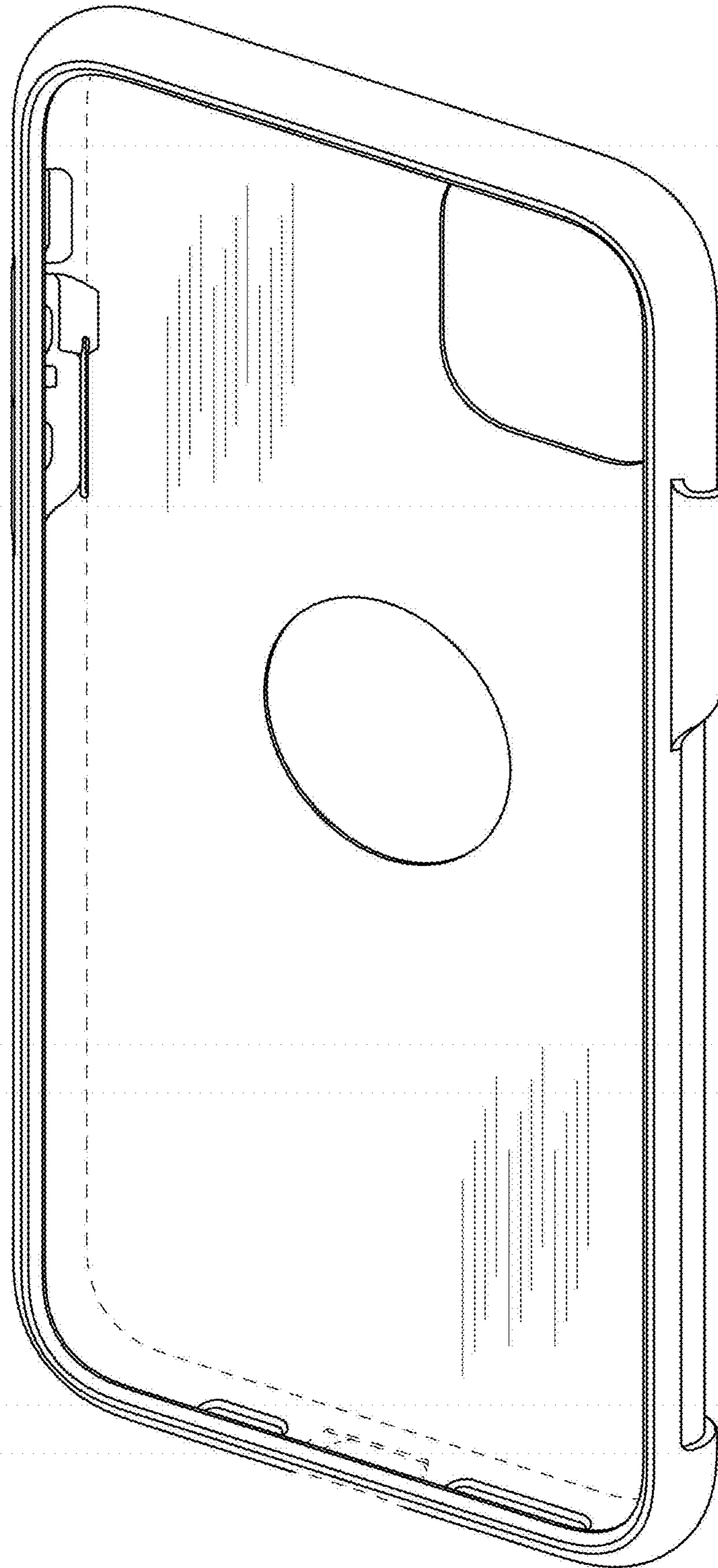


FIG. 10

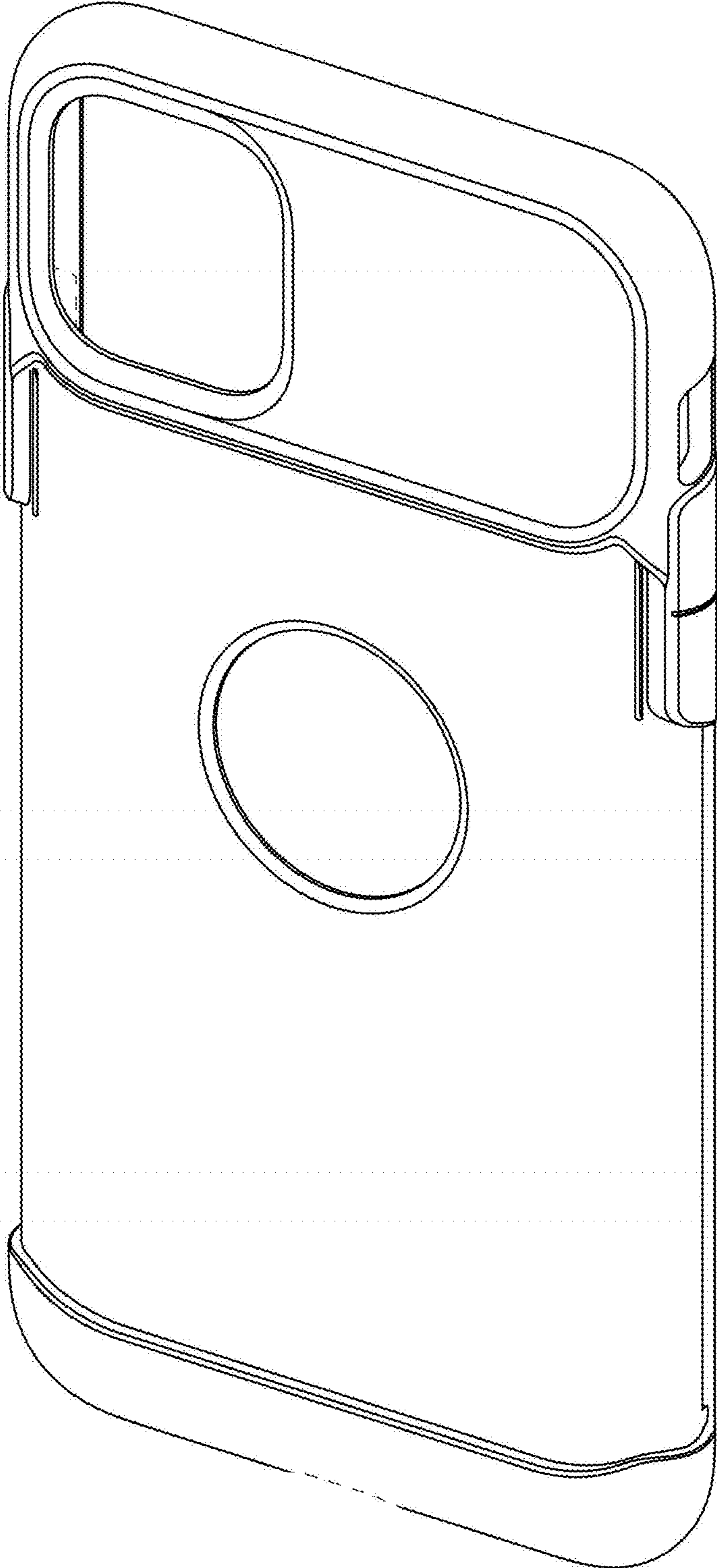


FIG. 11

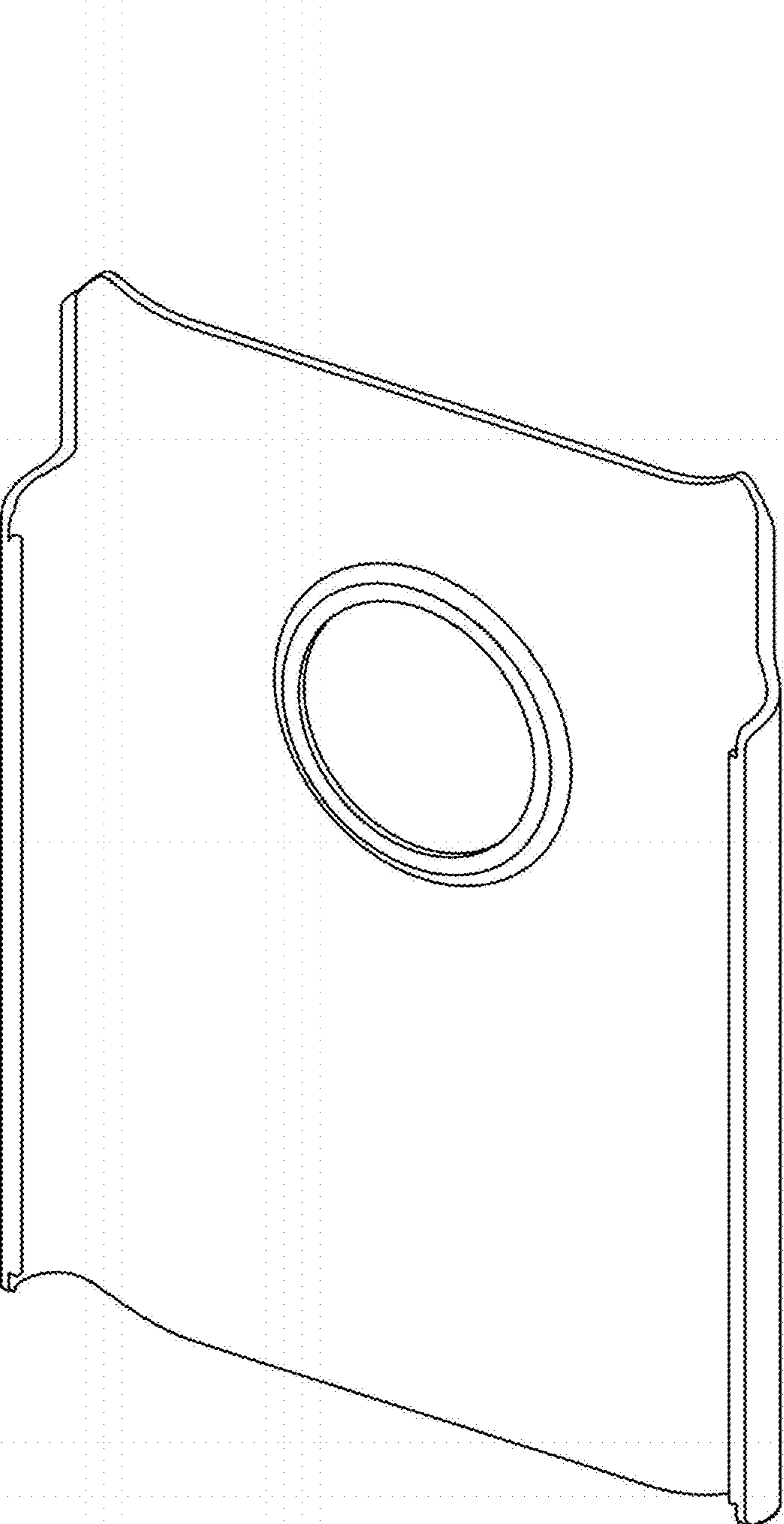


FIG. 12

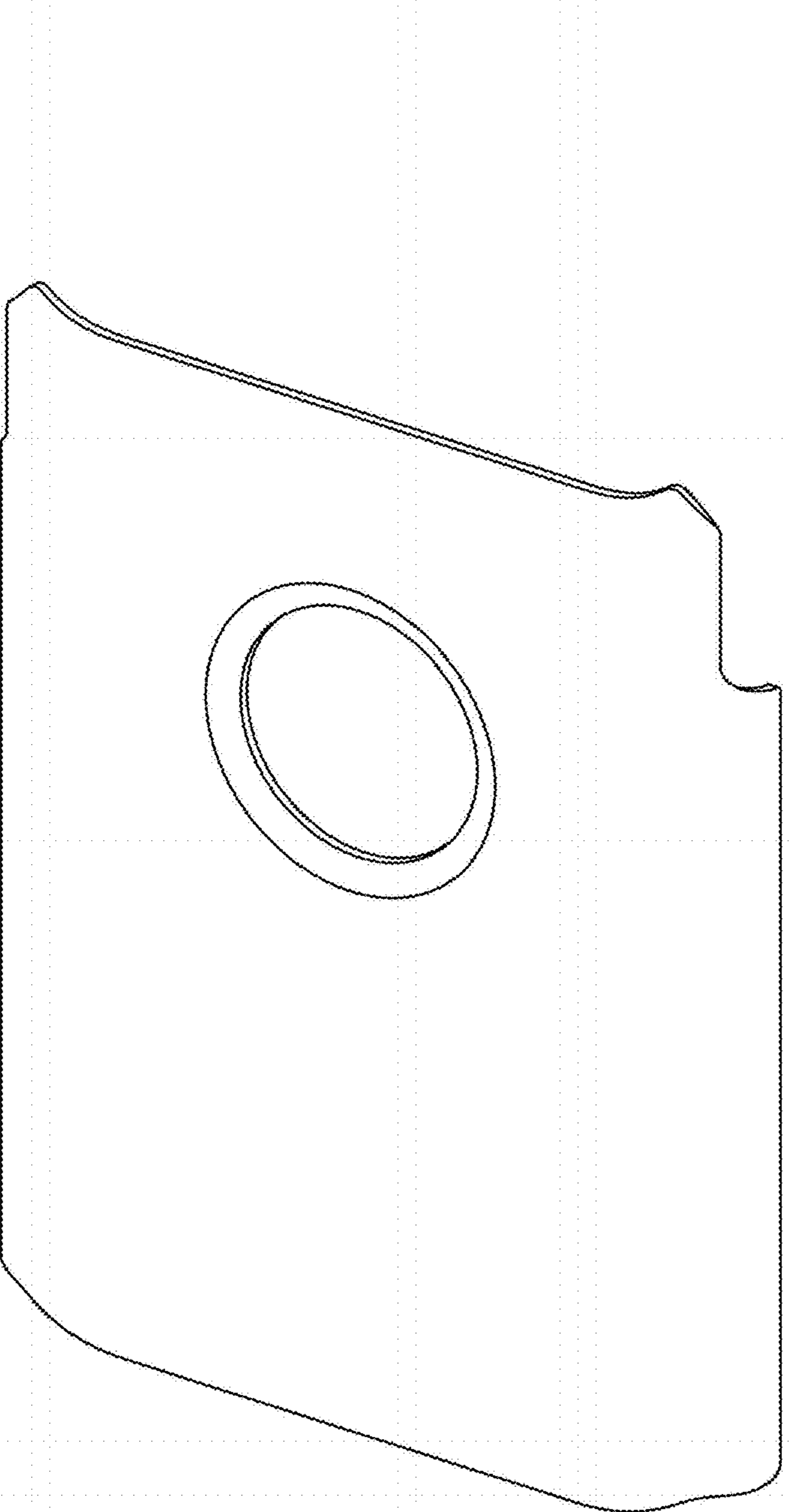


FIG. 13

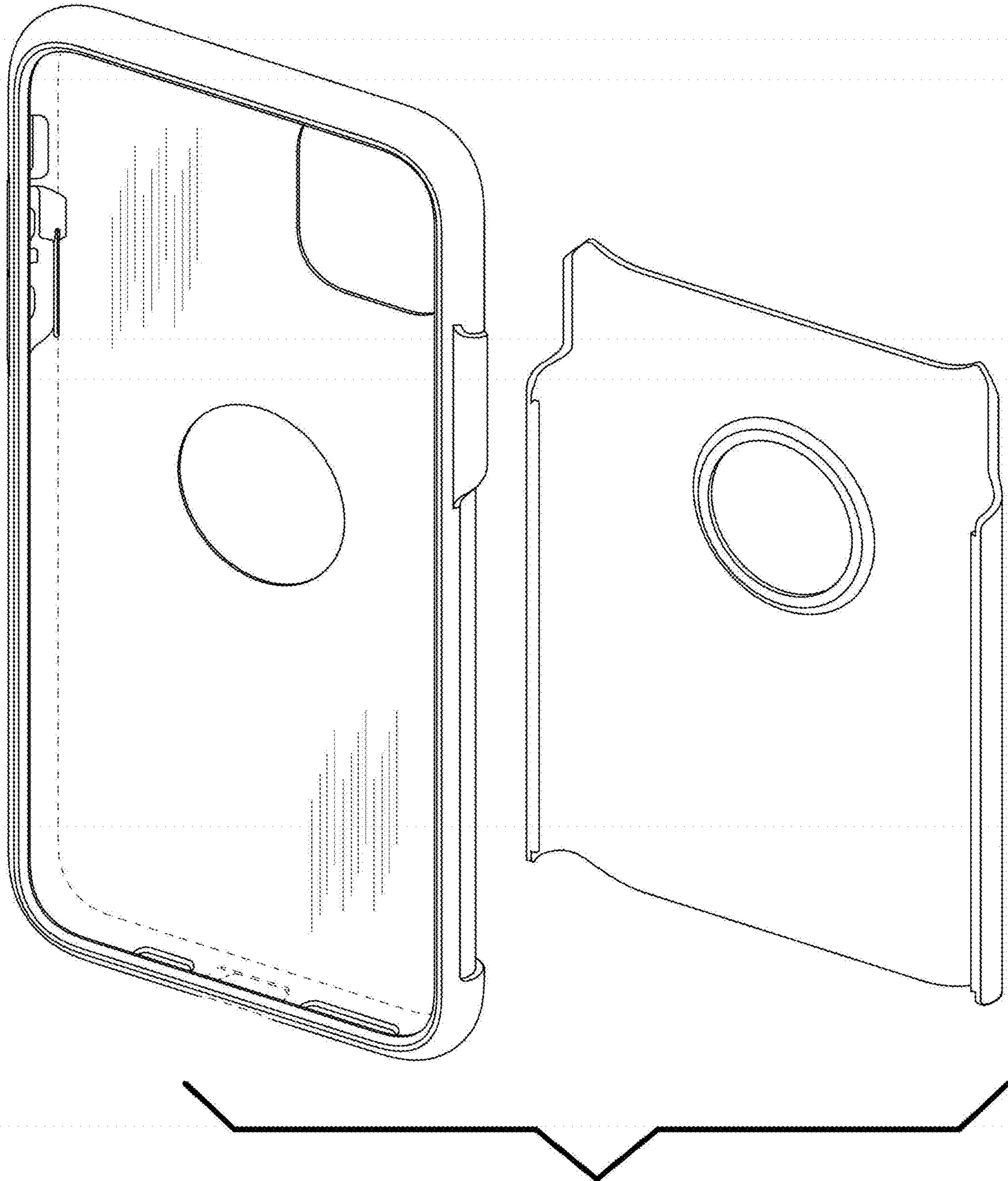


FIG. 14

