



US00D900081S

(12) **United States Design Patent** (10) **Patent No.:** **US D900,081 S**
Chen (45) **Date of Patent:** **** Oct. 27, 2020**

(54) **CASE FOR ELECTRONIC DEVICE**

(71) Applicant: **Dongguan Guevara Communication Technology Co., Ltd.**, Dongguan, Guangdong Province (CN)

(72) Inventor: **Mo Chen**, Dongguan (CN)

(**) Term: **15 Years**

(21) Appl. No.: **29/667,786**

(22) Filed: **Oct. 24, 2018**

(51) **LOC (12) Cl.** **14-03**

(52) **U.S. Cl.**
USPC **D14/250**

(58) **Field of Classification Search**
USPC D3/201, 212, 218, 226, 227, 247, 249, D3/250, 269, 303; D13/103, 107, 108, D13/119; D14/137, 138 R, 138 AA, D14/138 C, 138 G, 172, 192, D14/203.3-203.7, 217, 238.1, 247, 248, D14/250-253, 434, 440, 447, 496
CPC H04B 1/3888; H04M 1/0283; H04M 1/0202; A45C 1/06; A45C 2011/002; A45C 11/00; A45F 2005/028; A45F 2200/0525

See application file for complete search history.

(56) **References Cited**

U.S. PATENT DOCUMENTS

D623,651 S	*	9/2010	Hsu	D14/218
D641,354 S	*	7/2011	Hsu	D14/341
D706,754 S	*	6/2014	Goradesky	D14/250
D716,294 S	*	10/2014	Park	D14/341
D750,610 S	*	3/2016	Chen	D14/250
D762,631 S	*	8/2016	Kim	D14/250
D769,855 S	*	10/2016	Deng	D14/250
D793,383 S	*	8/2017	Cai	D14/341
D800,105 S	*	10/2017	Roberts	D14/250
D802,576 S	*	11/2017	Ahn	D14/250
D802,577 S	*	11/2017	Ahn	D14/250

(Continued)

OTHER PUBLICATIONS

Spigen Rugged Crystal Case for iPhone X and iPhone Xs, earliest photo verified review date Nov. 10, 2017, [online][site visited Apr. 23, 2020] URL: <https://www.amazon.com/Spigen-Rugged-Crystal-Designed-iPhone/dp/B074CN3X9W> (Year : 2017).*

(Continued)

Primary Examiner — Susan E Krakower

Assistant Examiner — L. A. Grabenstetter

(74) *Attorney, Agent, or Firm* — Novoclaims Patent Services LLC; Mei Lin Wong

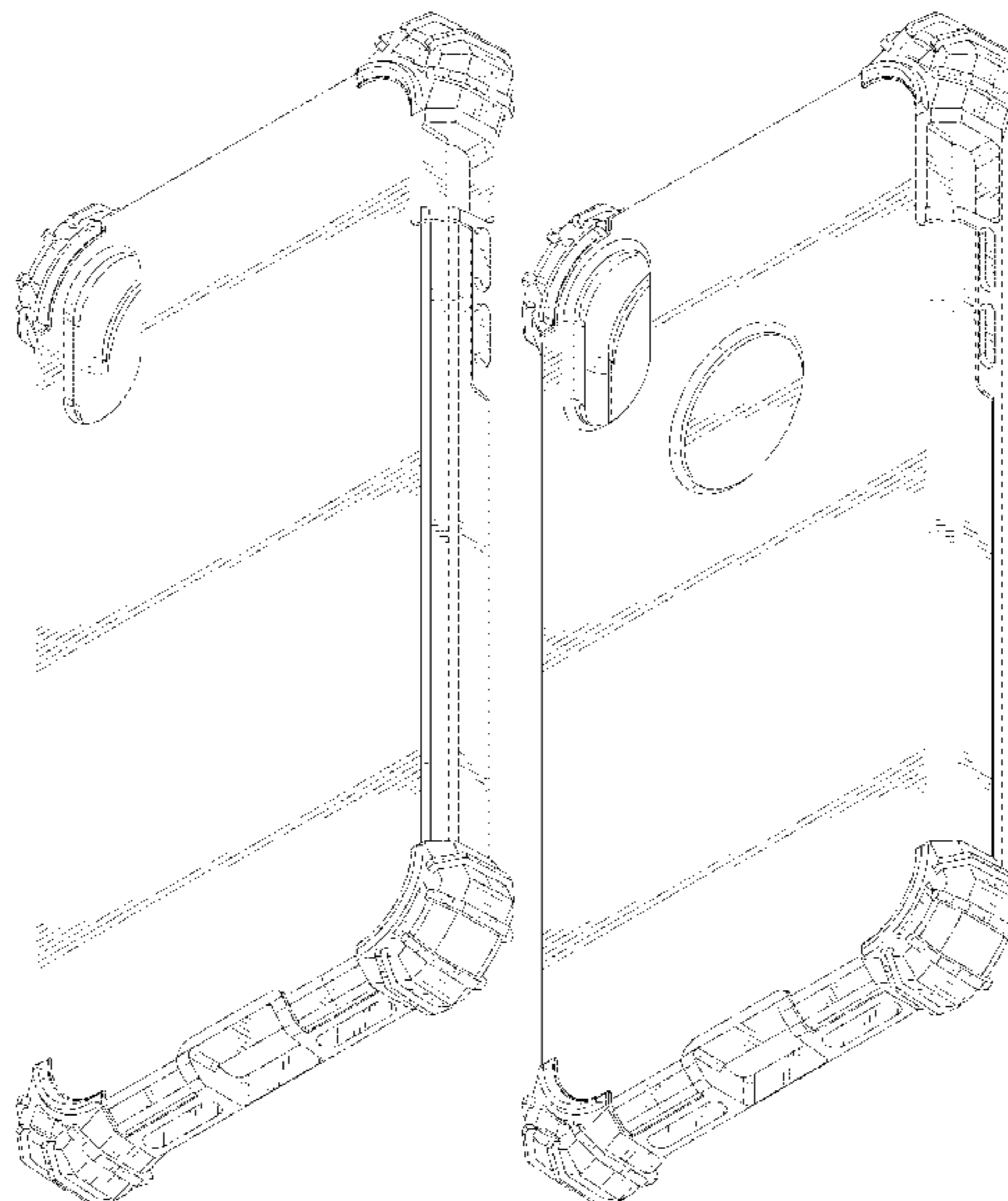
(57) **CLAIM**

The ornamental design for a case for electronic device, as shown and described.

DESCRIPTION

FIG. 1 is a front perspective view of a case for electronic device showing my new design in accordance to a first embodiment;
FIG. 2 is a rear perspective view thereof;
FIG. 3 is a front view thereof;
FIG. 4 is a rear view thereof;
FIG. 5 is a left side view thereof;
FIG. 6 is a right side view thereof;
FIG. 7 is a top view thereof;
FIG. 8 is a bottom view thereof;
FIG. 9 is a front perspective view of a case for electronic device showing my new design in accordance to a second embodiment;
FIG. 10 is a rear perspective view thereof;
FIG. 11 is a front view thereof;
FIG. 12 is a rear view thereof;
FIG. 13 is a left side view thereof;
FIG. 14 is a right side view thereof;
FIG. 15 is a top view thereof; and,
FIG. 16 is a bottom view thereof.

1 Claim, 16 Drawing Sheets



(56)

References Cited

U.S. PATENT DOCUMENTS

D809,498 S *	2/2018	Ahn	D14/250
D820,820 S *	6/2018	Ahn	D14/250
D820,821 S *	6/2018	Ahn	D14/250
D824,893 S *	8/2018	Ahn	D14/250
D831,636 S *	10/2018	Zhu	D14/250
D863,285 S *	10/2019	Chen	D14/250
2013/0271897 A1 *	10/2013	Limber	H04M 1/04 361/679.01

OTHER PUBLICATIONS

Weevoo Crystal Enforced iPhone X Case, public availability date Jun. 8, 2018, [online][site visited May 7, 2020] URL: <https://www.amazon.com/WEEVOO-Protection-Absorption-Anti-Slip-Excellent/dp/B07DMF1V8F> (Year: 2018).*

Dongguan Haotong Plastic Technology Co. Phone Case Factory Facebook Page Cover photo, uploaded May 25, 2019, [online][site visited May 7, 2020] URL: <https://www.facebook.com/1362723923881721/photos/p.1362725100548270/1362725100548270/> (Year: 2019).*

* cited by examiner

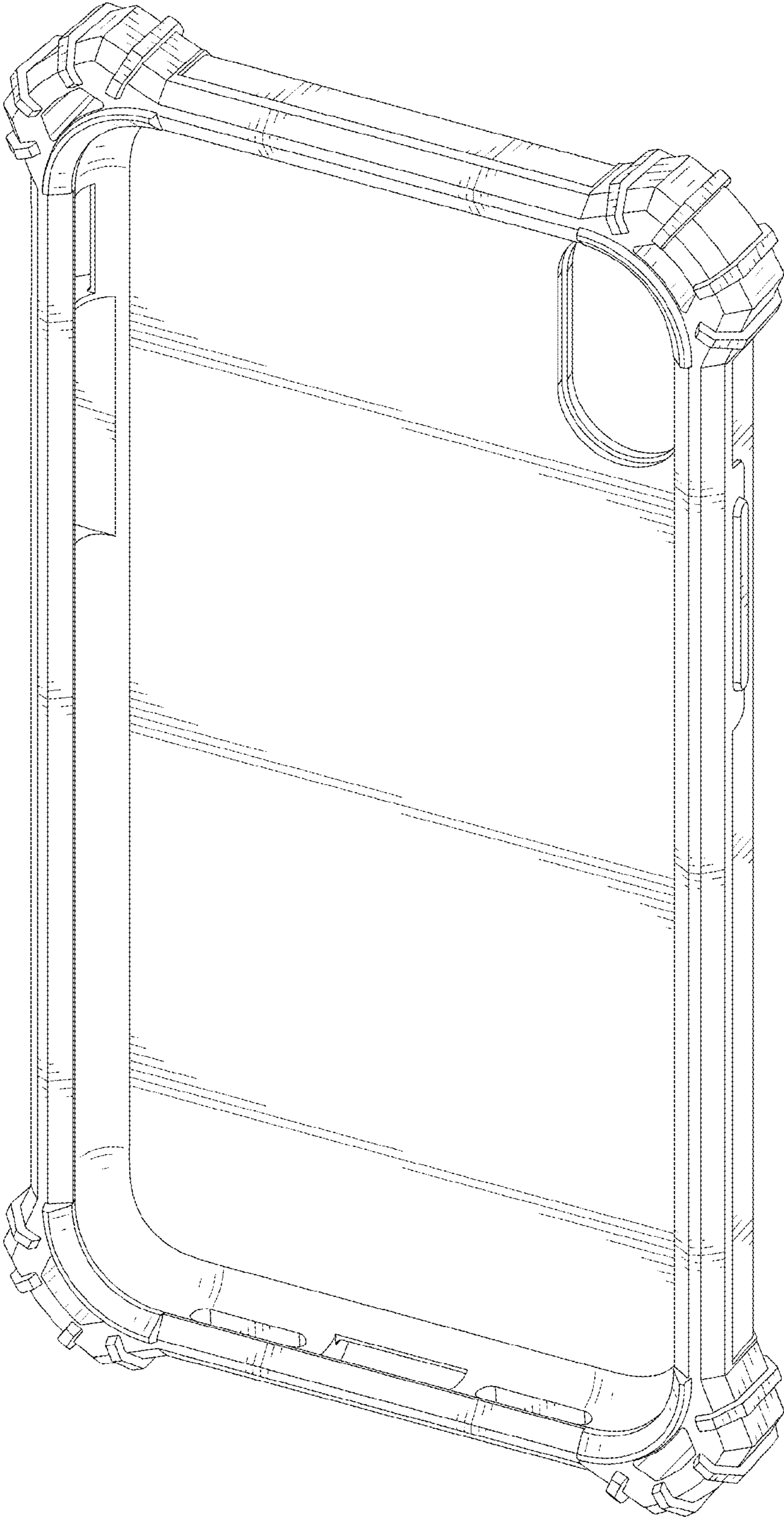


FIG.1

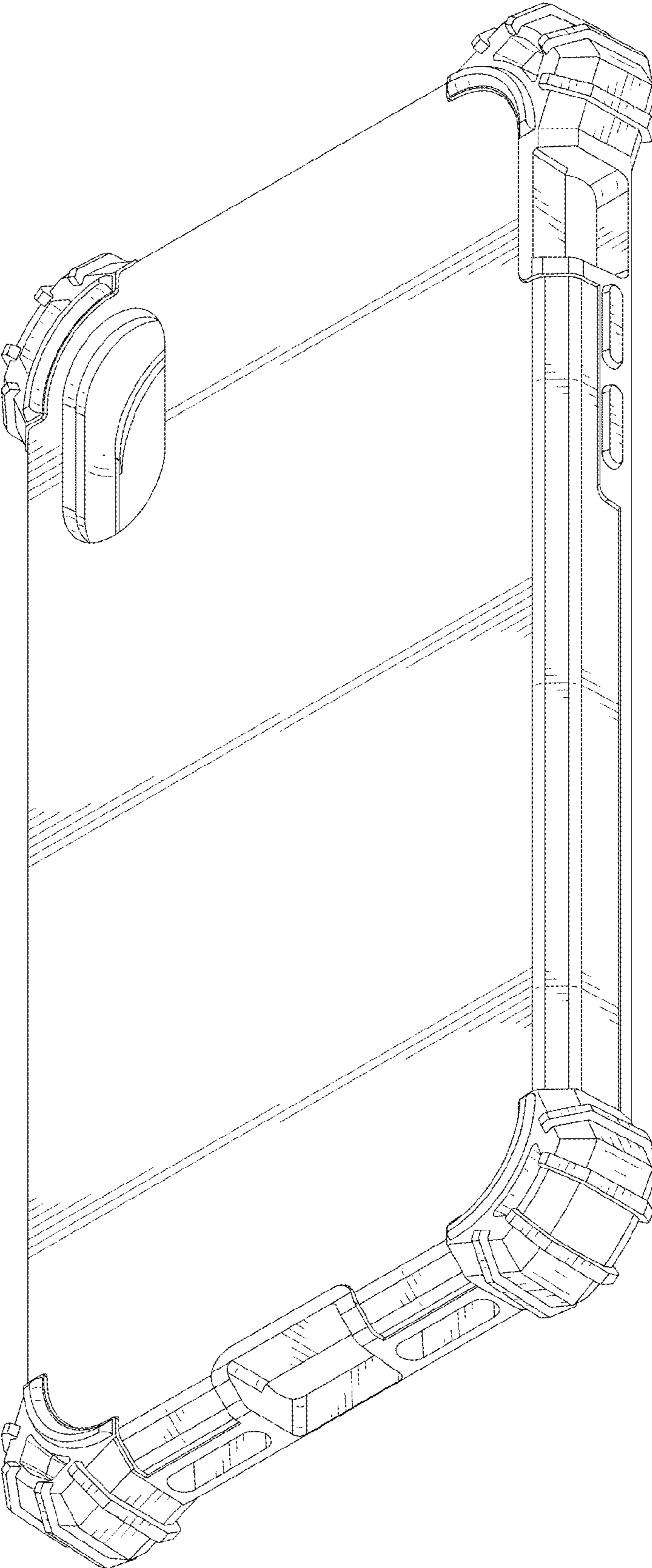


FIG.2

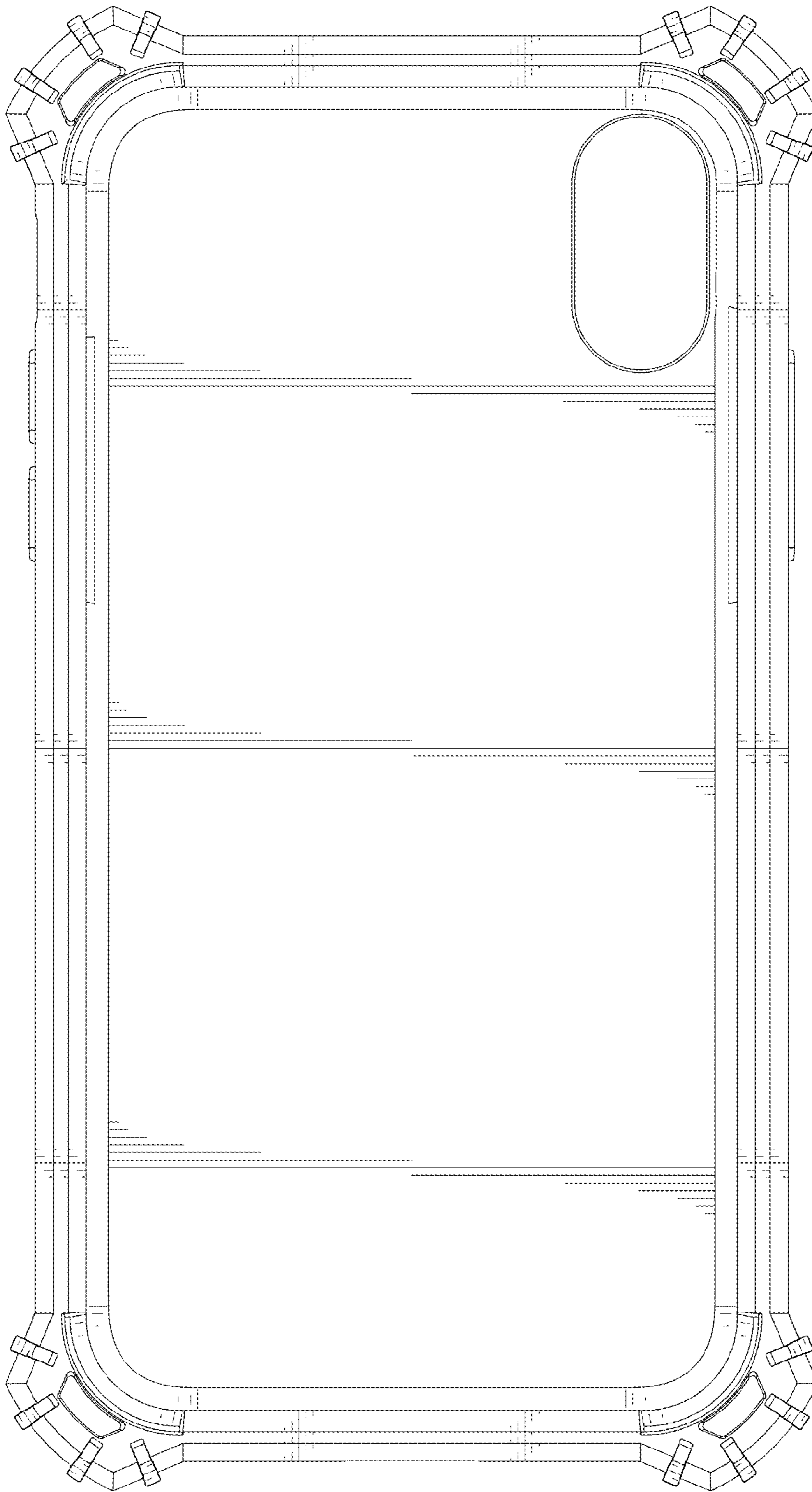


FIG.3

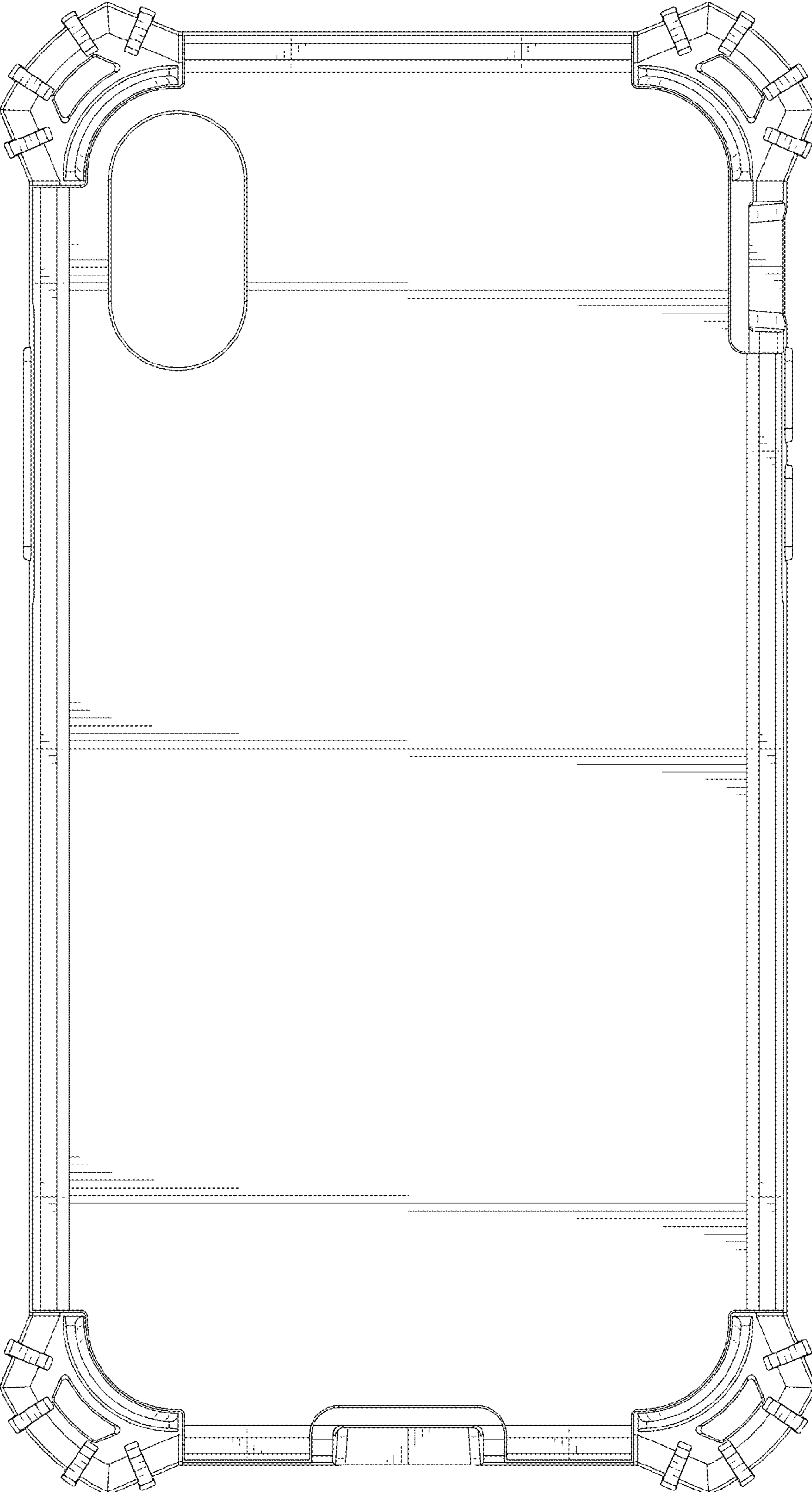


FIG.4

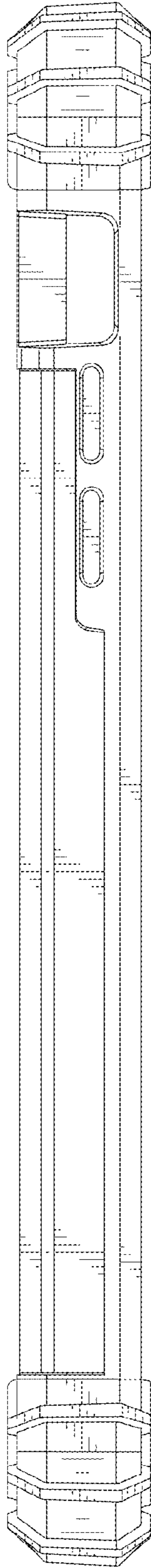


FIG.5

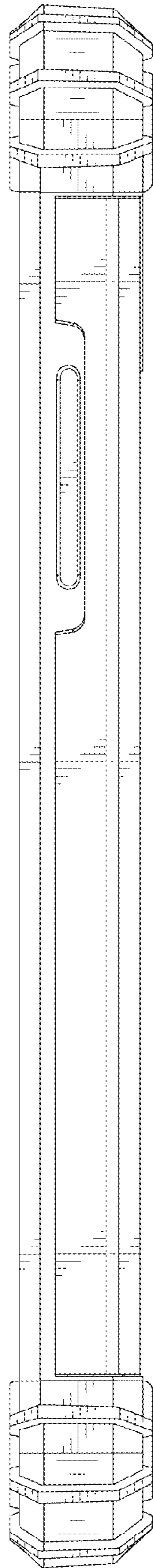


FIG.6

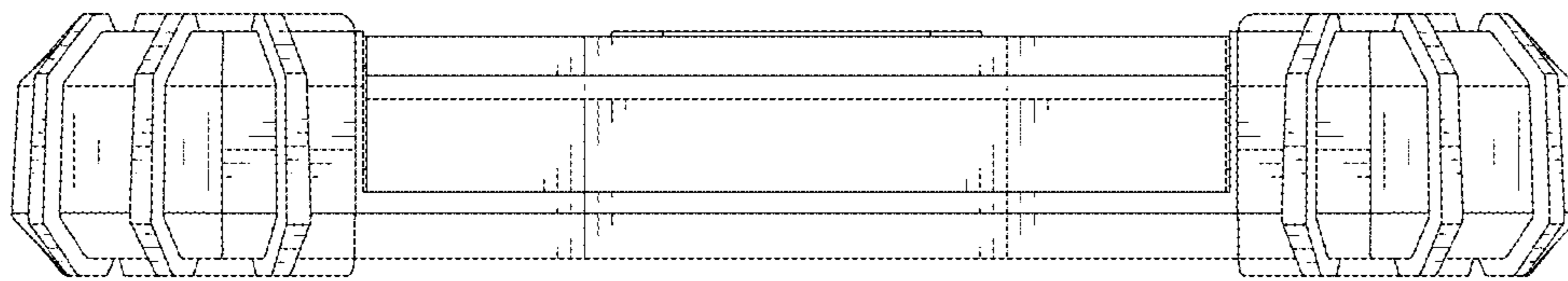


FIG.7

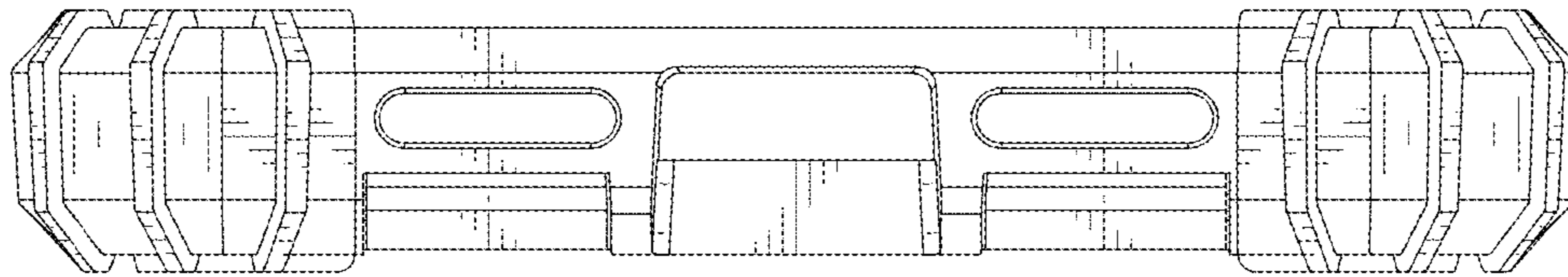


FIG.8

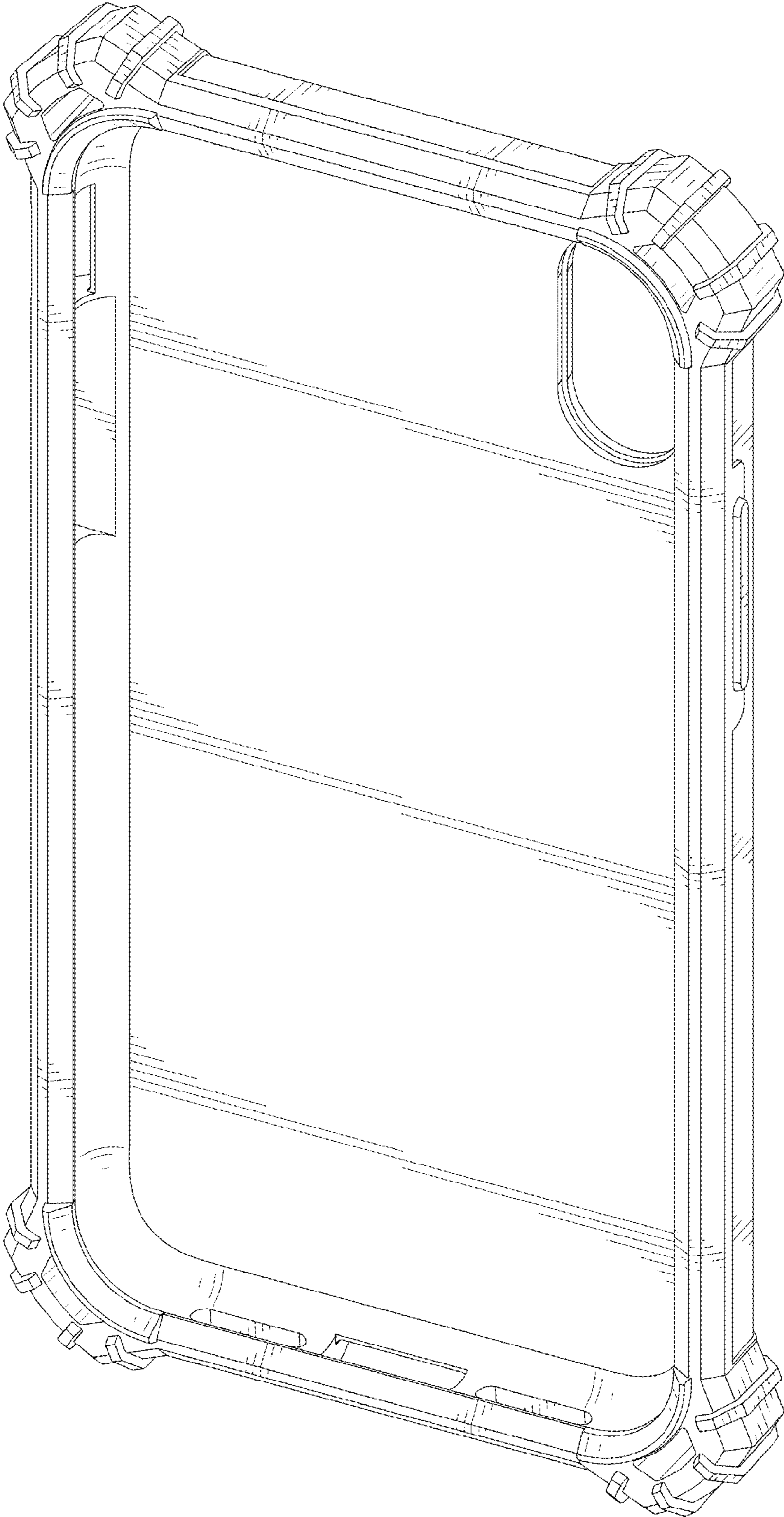


FIG.9

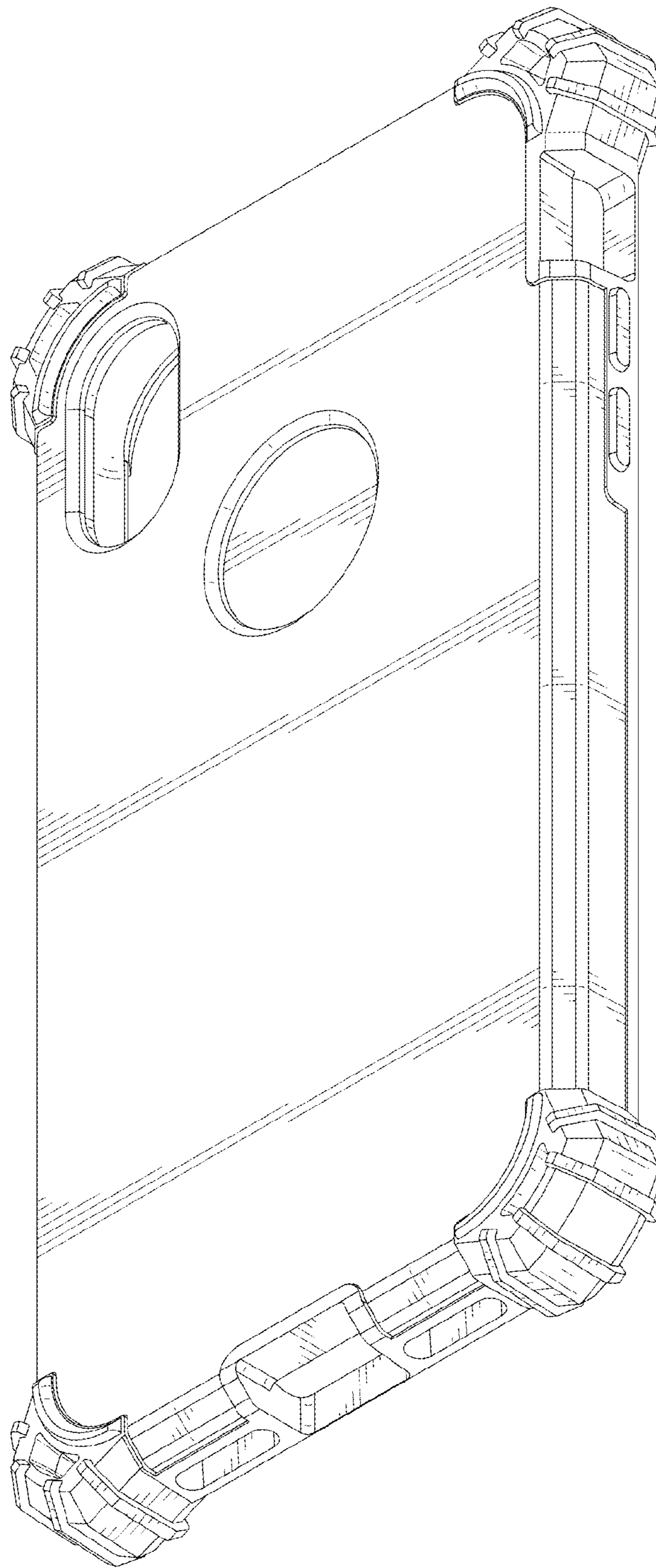


FIG.10

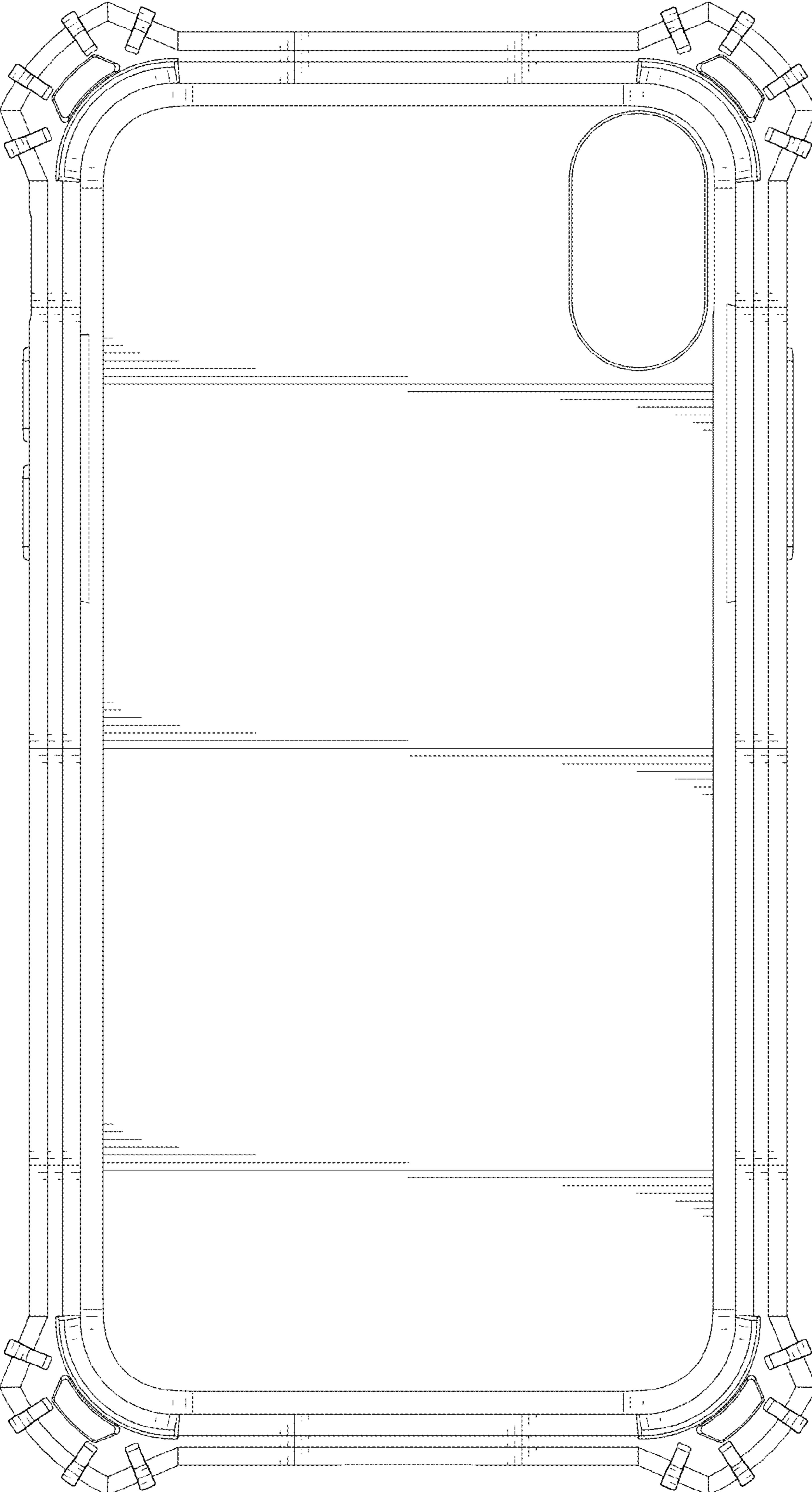


FIG.11

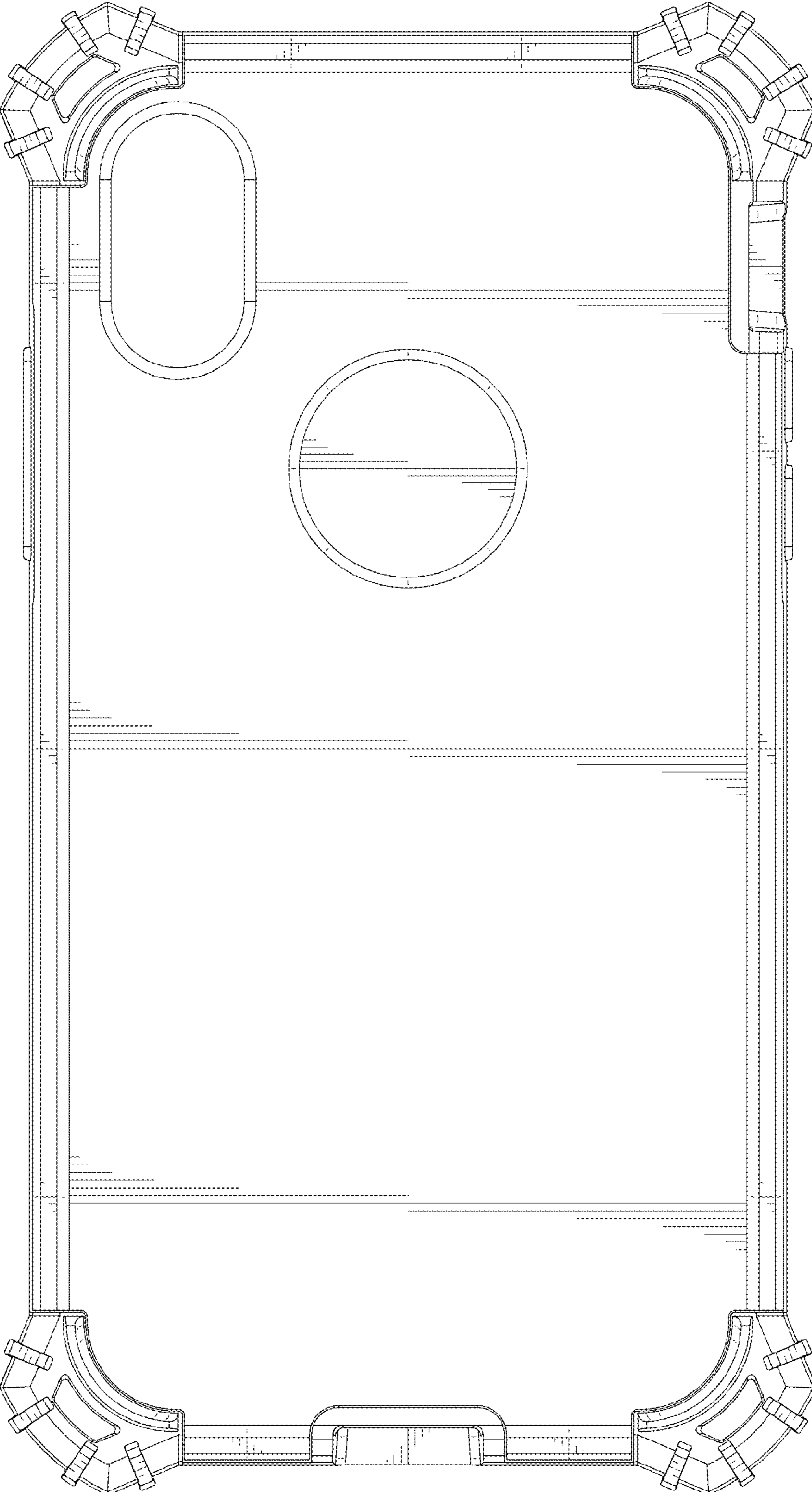


FIG.12

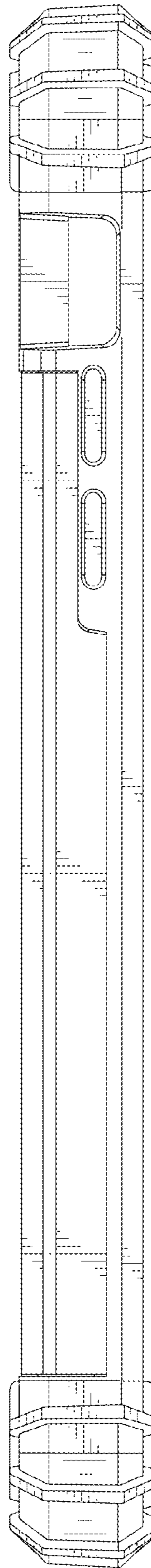


FIG.13

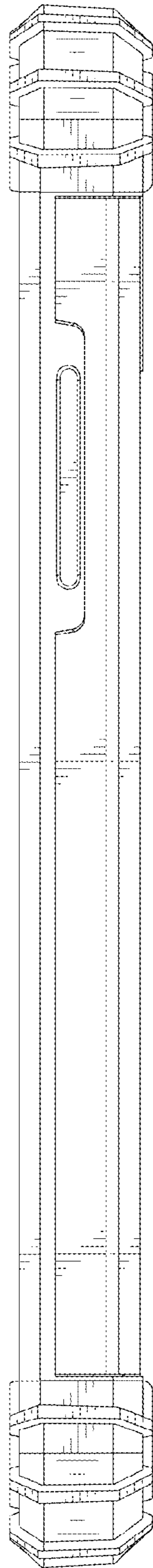


FIG.14

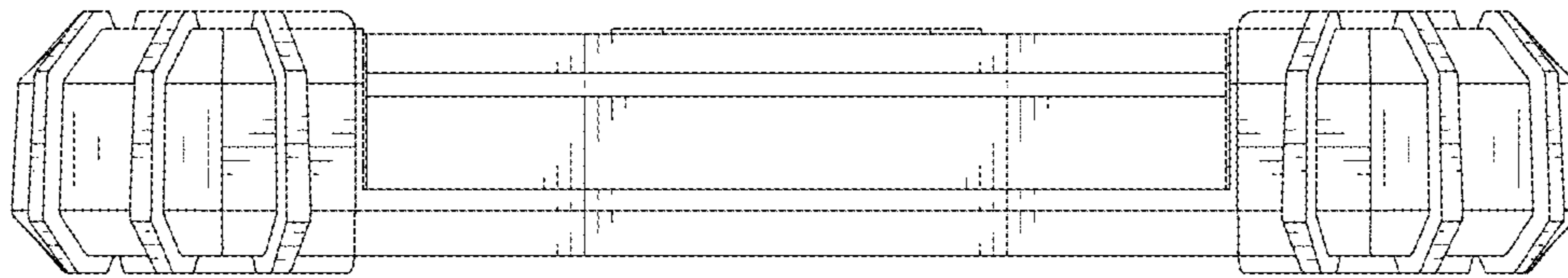


FIG.15

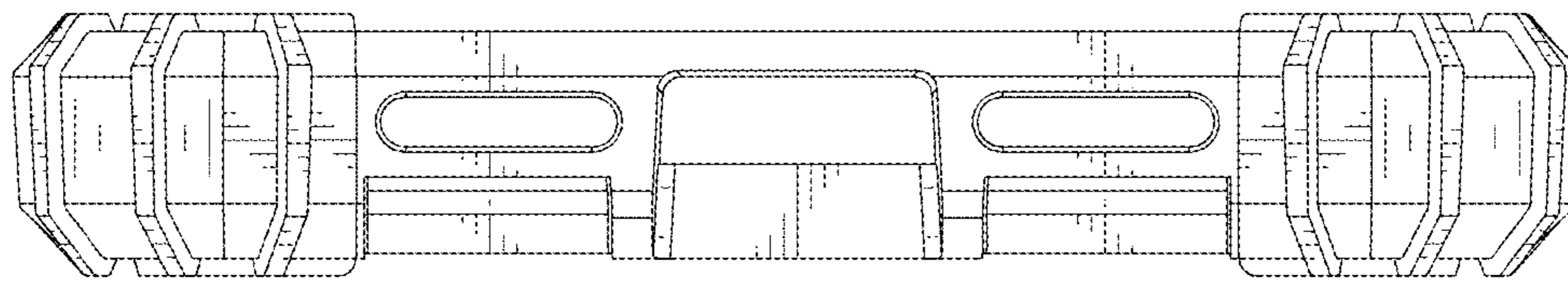


FIG.16