



US00D900080S

(12) **United States Design Patent** (10) **Patent No.:** **US D900,080 S**  
**Akana et al.** (45) **Date of Patent:** **\*\* Oct. 27, 2020**

(54) **CASE FOR MOBILE COMMUNICATIONS  
DEVICE OR THE LIKE**

(71) Applicant: **Apple Inc.**, Cupertino, CA (US)

(72) Inventors: **Jody Akana**, San Francisco, CA (US);  
**Bartley K. Andre**, Palo Alto, CA (US);  
**Jeremy Bataillou**, San Francisco, CA  
(US); **Daniel J. Coster**, San Francisco,  
CA (US); **Daniele De Iuliis**, San  
Francisco, CA (US); **M. Evans  
Hankey**, San Francisco, CA (US);  
**Richard P. Howarth**, San Francisco,  
CA (US); **Jonathan P. Ive**, San  
Francisco, CA (US); **Duncan Robert  
Kerr**, San Francisco, CA (US); **Shin  
Nishibori**, Kailua, HI (US); **Matthew  
Dean Rohrbach**, San Francisco, CA  
(US); **Peter Russell-Clarke**, San  
Francisco, CA (US); **Christopher J.  
Stringer**, Woodside, CA (US); **Eugene  
Antony Whang**, San Francisco, CA  
(US); **Rico Zörkendörfer**, San  
Francisco, CA (US)

(73) Assignee: **Apple Inc.**, Cupertino, CA (US)

(\*\*) Term: **15 Years**

(21) Appl. No.: **29/604,889**

(22) Filed: **May 22, 2017**

**Related U.S. Application Data**

(63) Continuation of application No. 29/492,404, filed on  
May 30, 2014, now Pat. No. Des. 787,490, which is  
(Continued)

(51) **LOC (12) Cl.** ..... **14-03**

(52) **U.S. Cl.**  
USPC ..... **D14/250**

(58) **Field of Classification Search**

USPC ..... D14/203.3–203.7, 439, 251–253, 447,  
D14/217, 240, 238.1, 250, 440, 248;  
(Continued)

(56) **References Cited**

**U.S. PATENT DOCUMENTS**

D300,831 S 4/1989 Jenkins et al.  
D357,918 S 5/1995 Doria  
(Continued)

**FOREIGN PATENT DOCUMENTS**

JP D1241383 6/2005

**OTHER PUBLICATIONS**

iPhone FAQ News Article: “Apple Offering Free iPhone 4 Bumper  
Cases After Sep. 30”, published Sep. 18, 2010, <URL: <http://www.iphonefaq.org/archives/971061>>, retrieved from internet Jan. 12,  
2012.

(Continued)

*Primary Examiner* — Carla J Wright

(74) *Attorney, Agent, or Firm* — Sterne, Kessler,  
Goldstein & Fox P.L.L.C.

(57) **CLAIM**

The ornamental design for a case for mobile communica-  
tions device or the like, as shown and described.

**DESCRIPTION**

FIG. 1 is a bottom front perspective view of a case for  
mobile communications device or the like showing the  
claimed design;

FIG. 2 is a bottom rear perspective view thereof;

FIG. 3 is a top rear perspective view thereof;

FIG. 4 is a top front perspective view thereof;

FIG. 5 is a front view thereof;

FIG. 6 is a top view thereof;

FIG. 7 is a bottom view thereof;

(Continued)

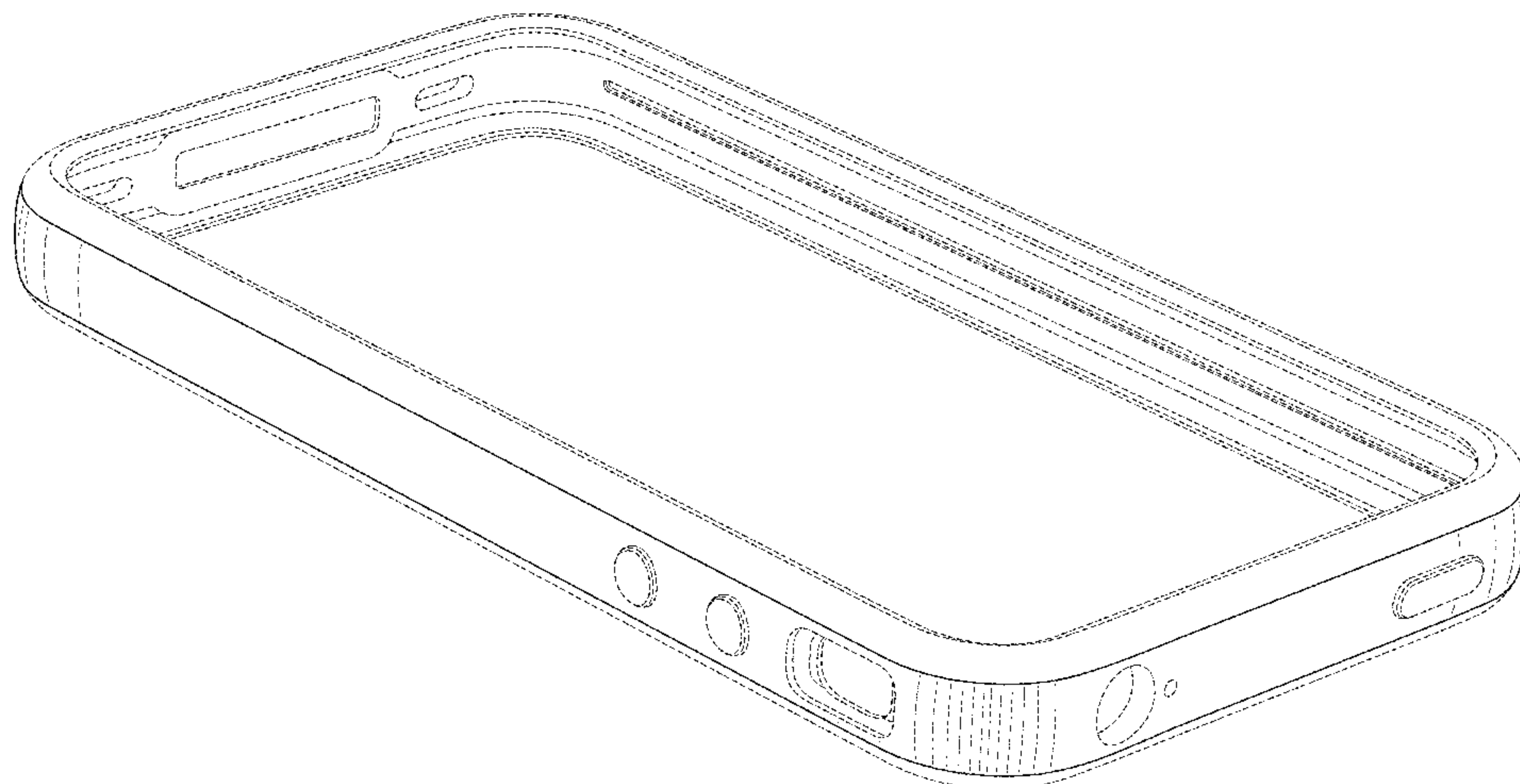


FIG. 8 is left side view thereof; and, FIG. 9 is a right side view thereof. The shade lines in the figures show contour and not surface ornamentation. The broken lines in the figures show portions of the case that form no part of the claimed design.

**1 Claim, 7 Drawing Sheets**

**Related U.S. Application Data**

a continuation of application No. 29/438,866, filed on Dec. 4, 2012, now Pat. No. Des. 706,255, which is a continuation of application No. 29/363,175, filed on Jun. 5, 2010, now Pat. No. Des. 671,930.

(58) **Field of Classification Search**

USPC ..... D13/103, 107-108, 119; D3/201, 218, D3/247, 249, 269, 273, 301, 303  
CPC ..... H04B 1/3888; H04M 1/0283; H04M 1/0202; A45C 1/06; A45C 11/00; A45C 13/02; A45C 2011/002; A45F 2005/026; A45F 2200/0525; A45F 2200/0516  
See application file for complete search history.

(56) **References Cited**

U.S. PATENT DOCUMENTS

D506,937	S	7/2005	Lee et al.	
D527,176	S	8/2006	Andre et al.	
7,330,741	B2	2/2008	Park et al.	
D574,819	S	8/2008	Andre et al.	
D575,056	S	8/2008	Tan	
D584,738	S	1/2009	Kim et al.	
D589,953	S	4/2009	Turner	
D597,089	S *	7/2009	Khan	D14/250
D601,530	S	10/2009	Park et al.	
7,660,560	B2	2/2010	Zuo et al.	
D619,361	S	7/2010	Andre et al.	
D623,180	S	9/2010	Diebel	
D624,304	S	9/2010	Danze et al.	
D627,778	S	11/2010	Akana et al.	
D638,835	S *	5/2011	Akana	D14/341
D644,218	S	8/2011	Akana et al.	
D647,519	S	10/2011	Rothbaum et al.	
8,051,980	B2	11/2011	Tai et al.	
8,112,130	B2	2/2012	Mittleman et al.	
D655,701	S *	3/2012	Bruette	D14/250
D658,166	S *	4/2012	Bau	D14/250
D669,071	S	10/2012	Akana et al.	
D670,281	S *	11/2012	Corpuz	D14/250

D671,109	S *	11/2012	Rothbaum	D14/250
D671,930	S	12/2012	Akana et al.	
D673,937	S	1/2013	Cheng et al.	
D674,789	S	1/2013	Wen	
D677,657	S *	3/2013	Akana	D14/341
D687,427	S *	8/2013	Peterson	D14/250
D692,878	S	11/2013	Akana et al.	
8,655,422	B2	2/2014	Stiehl et al.	
D705,206	S	5/2014	Gengler et al.	
D706,255	S	6/2014	Akana et al.	
D718,754	S *	12/2014	To	D14/250
D721,065	S *	1/2015	Yoon	D14/250
D729,218	S *	5/2015	Wilson	D14/250
D741,845	S *	10/2015	Kim	D14/250
D751,059	S *	3/2016	Cocchia	D14/250
9,300,345	B2	3/2016	Johnson et al.	
D756,344	S	5/2016	Roberts et al.	
D759,642	S *	6/2016	Chao	D14/250
D761,239	S *	7/2016	Kim	D14/250
D761,774	S *	7/2016	Liang	D14/250
9,480,318	B2 *	11/2016	Stiehl	A45C 11/00
D787,490	S	5/2017	Akana et al.	
D798,283	S *	9/2017	Kim	D14/250
D812,599	S *	3/2018	Hyun	D14/250
D852,181	S *	6/2019	Kim	D14/250
2009/0111543	A1	4/2009	Tai et al.	
2009/0247244	A1	10/2009	Mittleman et al.	
2011/0297578	A1	12/2011	Stiehl et al.	
2014/0110276	A1	4/2014	Stiehl et al.	

OTHER PUBLICATIONS

Review of Apple iPhone 4 Bumpers, published Mar. 9, 2011, <URL: <http://www.ilounge.com/index.php/reviews/entry/apple-iphone-4-bumper/>>, retrieved from internet Jan. 12, 2012.  
YouTube Review of Apple Bumper Case for the iPhone 4, uploaded by theiphoneczar on Jun. 25, 2010, <URL: <http://www.youtube.com/watch?v=vpQ15WnlCvY>>, retrieved from internet Jan. 12, 2012.  
Review of Tiger Design Blade Aluminum iPhone 4 Bumper Case, posted on Dec. 16, 2010, <URL: <http://www.gadgetmac.com/gadgetmac/2010/12/16/tiger-design-blade-aluminum-iphone-4-bumper-case.html>>, retrieved from internet on Jan. 12, 2012.  
iPhone 4 Metal Element Case with Screen Protector & Back Plate (Silver), URL: <<http://www.fadbus.com/wholesale/iphone-4-metal-element-case-with-screen-protector-back-plate-silver.html>>, publication date unknown, reportedly accessed by the USPTO on Jan. 12, 2012.  
Crystal Bumpers for iPhone 4, URL: <[http://www.alibaba.com/product-gs/334675708/Crystal\\_Bumpers\\_for\\_iPhone\\_4\\_PayPal/showimage.html](http://www.alibaba.com/product-gs/334675708/Crystal_Bumpers_for_iPhone_4_PayPal/showimage.html)>, publication date unknown, reportedly accessed by the USPTO on Jan. 12, 2012.

\* cited by examiner



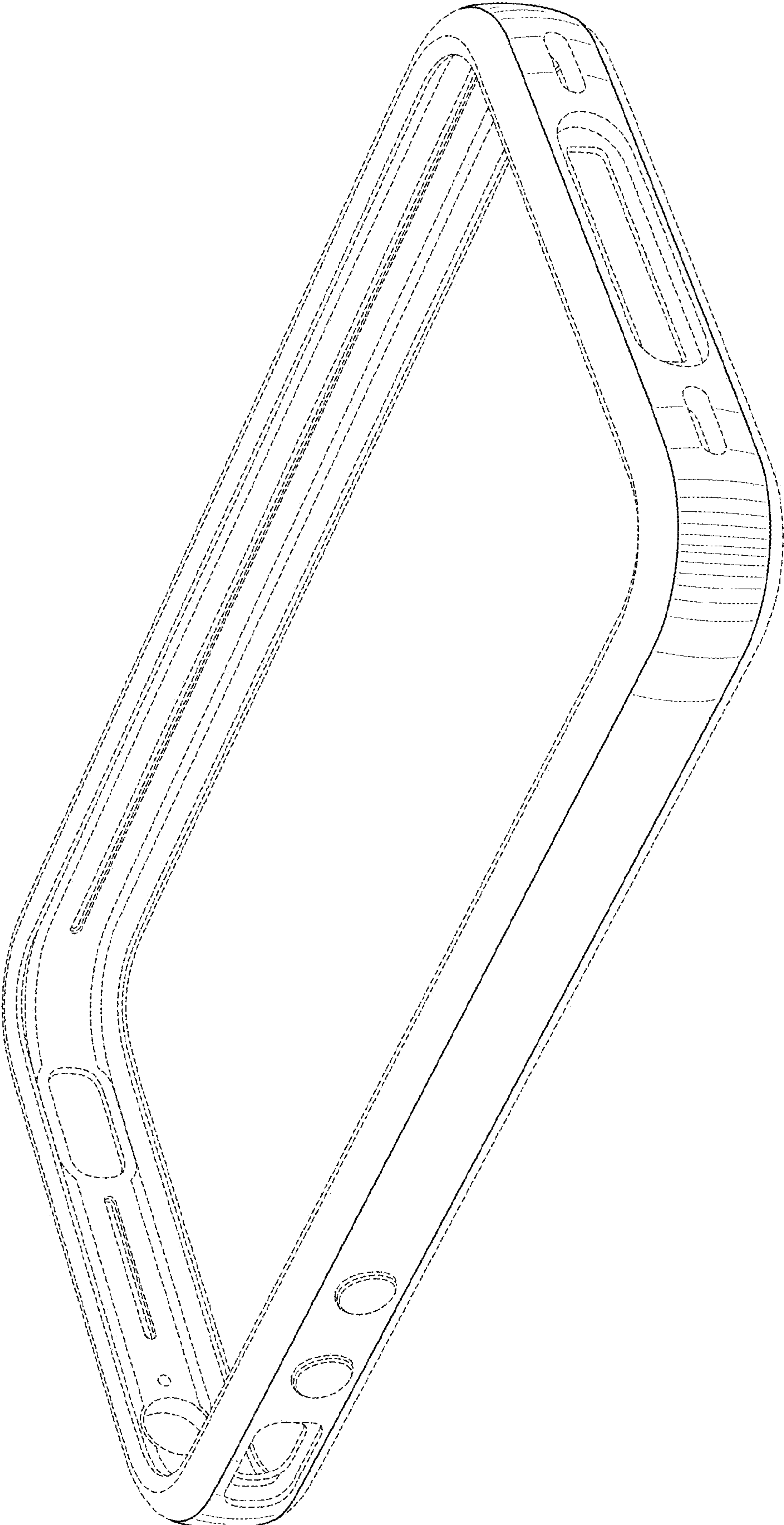


FIG. 1

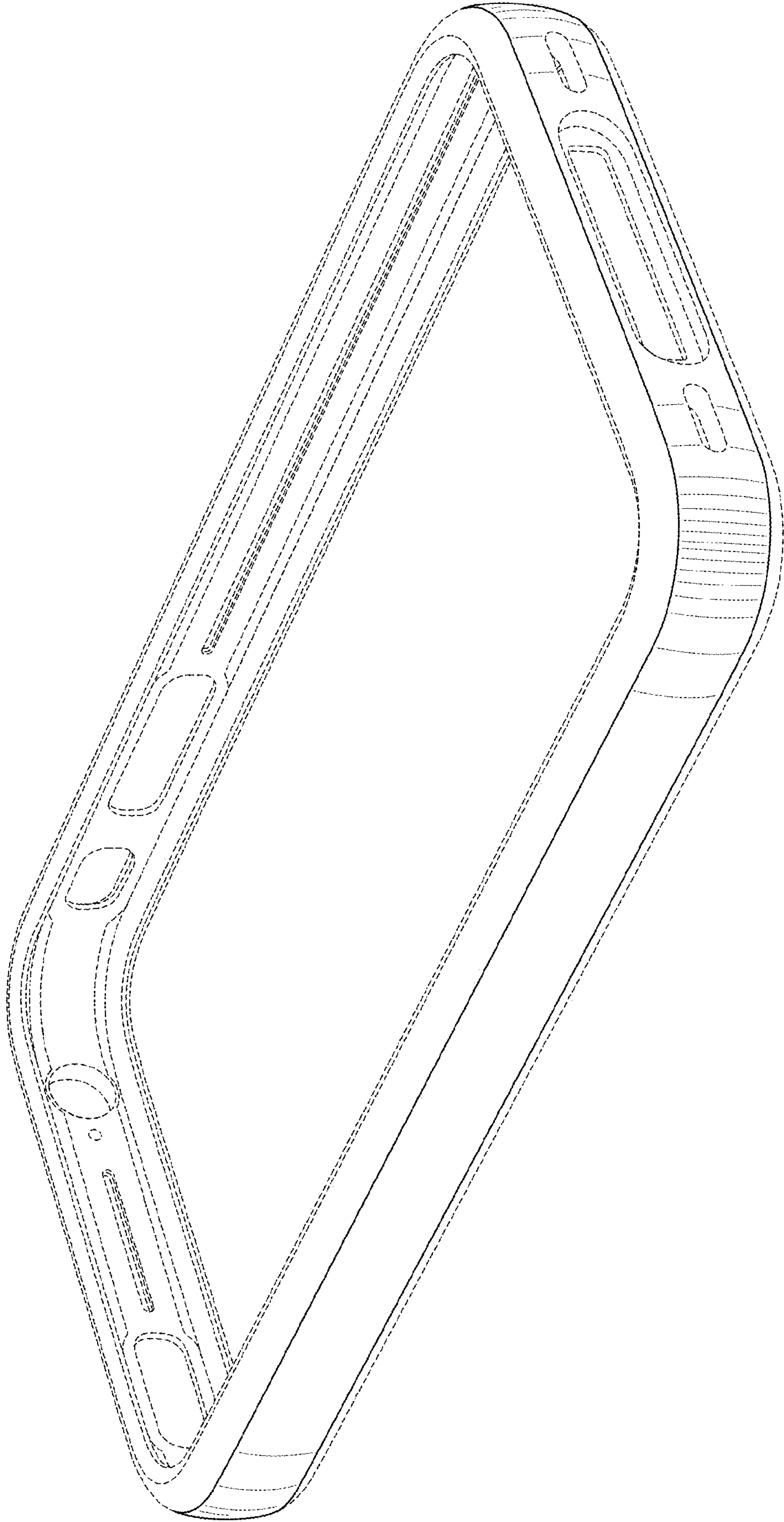


FIG. 2

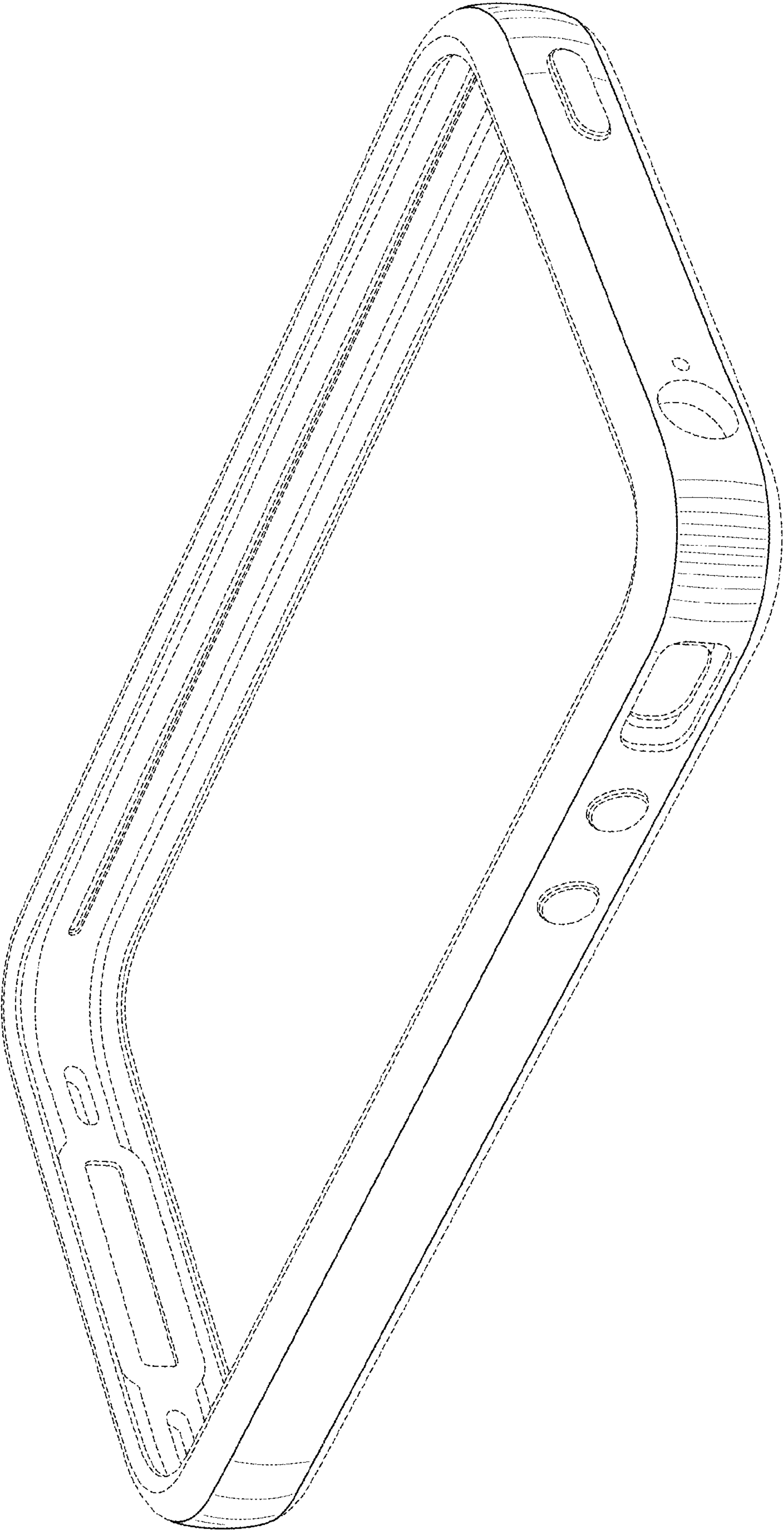


FIG. 3

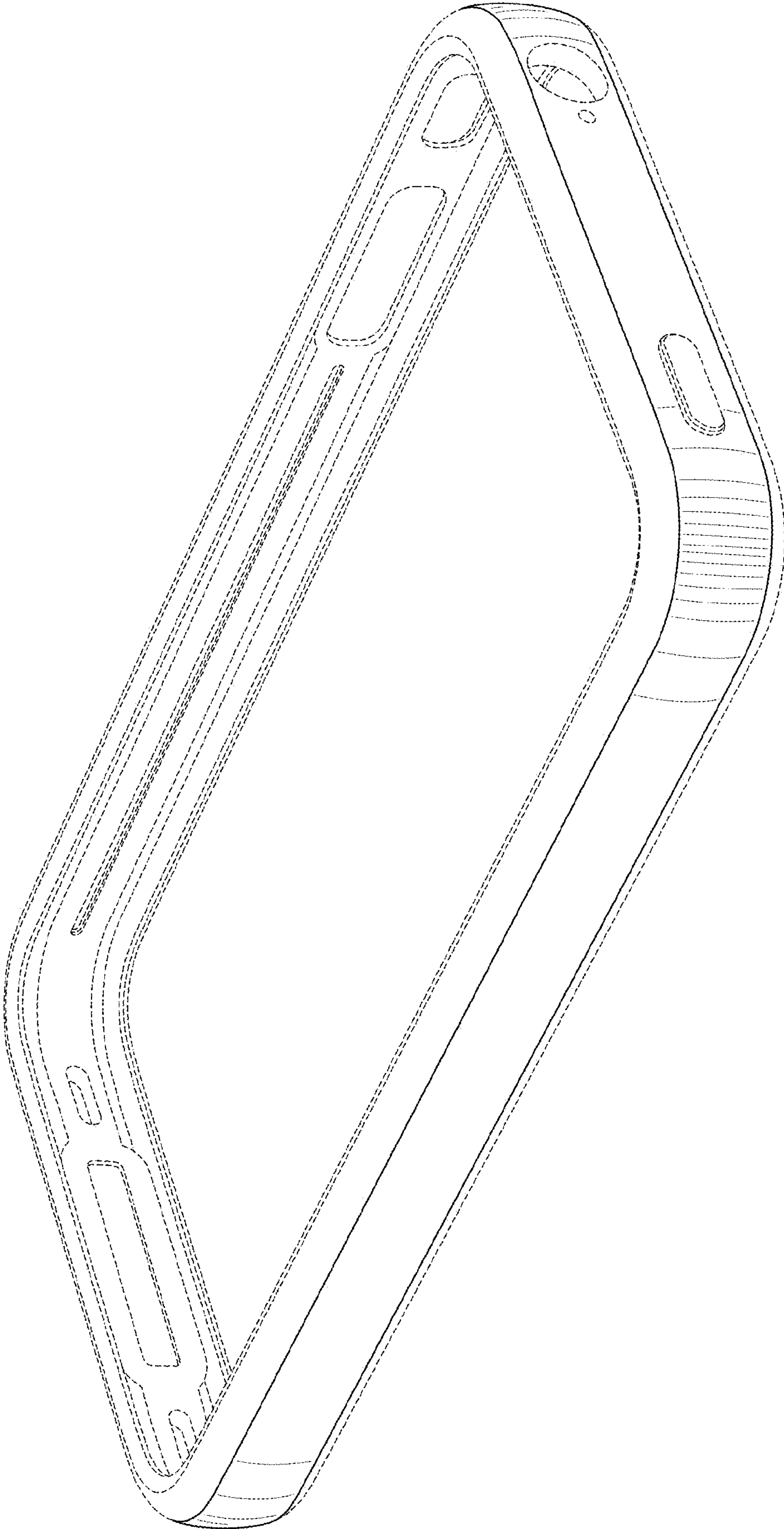


FIG. 4



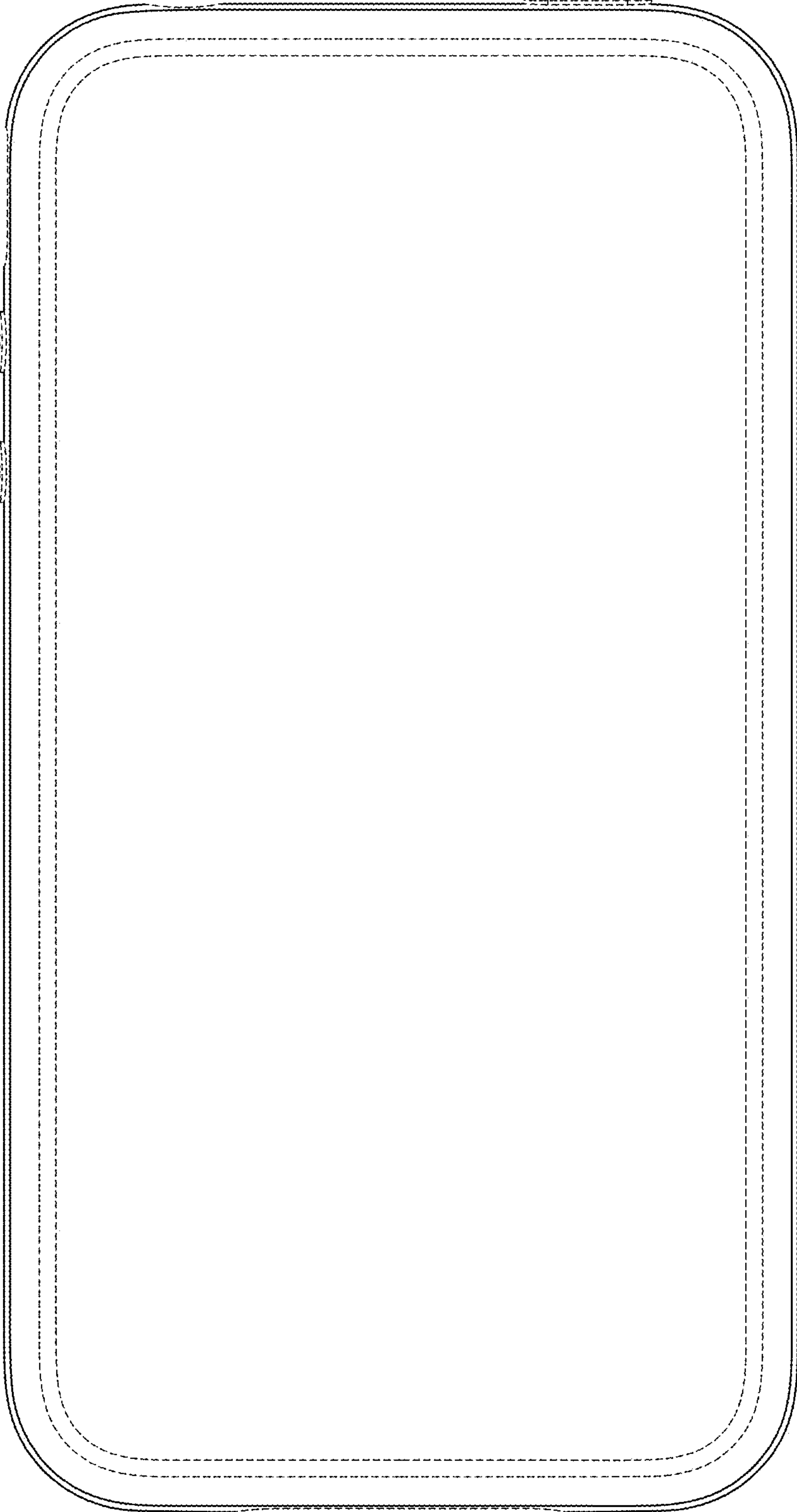
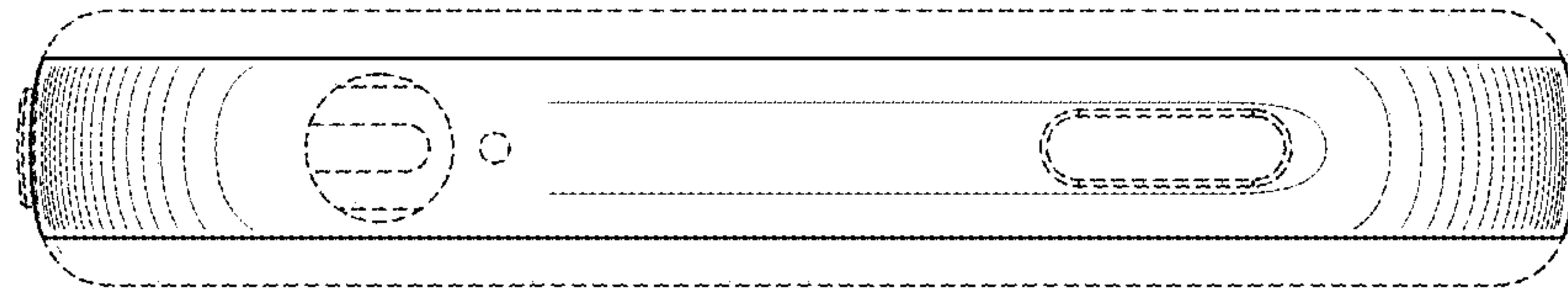
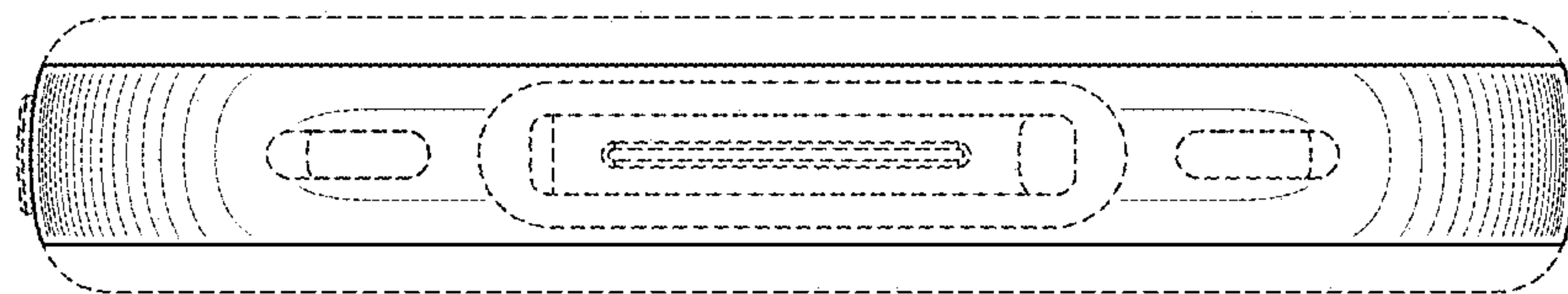


FIG. 5

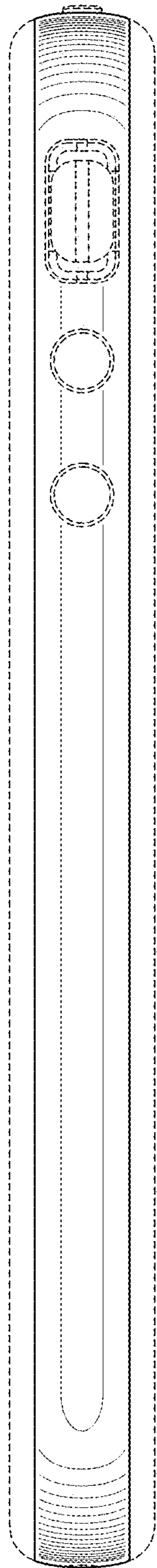


**FIG. 6**

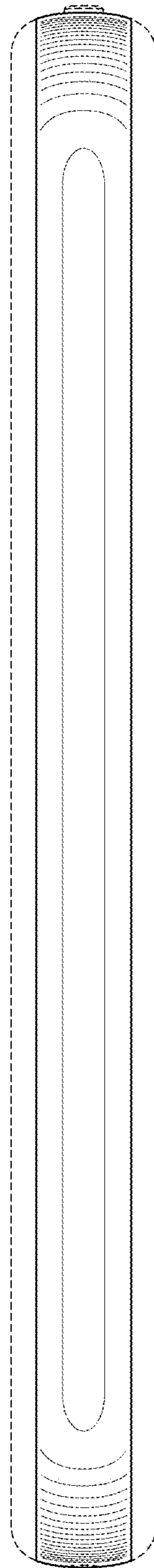


**FIG. 7**





**FIG. 8**



**FIG. 9**