



US00D900076S

(12) **United States Design Patent** (10) **Patent No.:** **US D900,076 S**
Cheng (45) **Date of Patent:** **** Oct. 27, 2020**

(54) **MOBILE PHONE BLUETOOTH HAND SHANK**

(71) Applicant: **Shenzhen Shichen Technology Co., LTD**, Shenzhen (CN)

(72) Inventor: **Hongliang Cheng**, Shenzhen (CN)

(**) Term: **15 Years**

(21) Appl. No.: **29/662,362**

(22) Filed: **Sep. 5, 2018**

(51) **LOC (12) Cl.** **14-03**

(52) **U.S. Cl.**
USPC **D14/240**; D14/253

(58) **Field of Classification Search**
USPC D14/250–254, 224, 224.1, 238.1, 434, D14/447, 451, 452, 483, 240; D12/400, D12/415–418, 420, 426.1, 114, 223; D16/242, 245, 219, 237, 243; D10/74; D3/218; D13/107, 108
CPC B60R 11/00; B60R 11/02; B60R 11/0241; B60R 11/0252; B60R 2011/0003; B60R 2011/0005; B60R 2011/0008; H04M 1/04; H04B 1/3877; A45F 2200/0516; A45F 2200/0525; H05K 5/0204; F16M 13/02; F16M 13/022; F16M 11/04; F16M 11/041; F16M 11/14; F16M 11/22; F16B 2/12; H01F 7/0252; G03B 17/561

See application file for complete search history.

(56) **References Cited**

U.S. PATENT DOCUMENTS

D362,004 S *	9/1995	Nakano	D14/149
D366,659 S *	1/1996	Ross	D14/447
D471,907 S *	3/2003	Peiker	D14/253
D472,896 S *	4/2003	Peiker	D14/253
D549,452 S *	8/2007	Janky	D3/221
D656,175 S *	3/2012	Fong	D16/242
D686,572 S *	7/2013	Loya	D13/108
D694,178 S *	11/2013	Bennett	D13/107

D744,473 S *	12/2015	Tsai	D14/251
D858,607 S *	9/2019	Henry	D16/208
D879,753 S *	3/2020	Boggs	D14/240
D884,620 S *	5/2020	Burchard	D13/108
D886,094 S *	6/2020	Xu	D14/253
2002/0187816 A1 *	12/2002	Ou	H04M 1/04 455/569.2

OTHER PUBLICATIONS

SCS0101 Bluetooth camera handle External Photos of EUT Shenzhen Shichen Technology, online, post date Dec. 18, 2018, URL: <https://fccid.io/2AR4B-SCS0101/External-Photos/External-Photos-4109728>, retrieved Oct. 24, 2019.*

Sesenpro Bluetooth camera handle, online, no post date, URL: http://www.sesenpro.com/products_detail/productId=38.html, retrieved Jun. 19, 2020.*

* cited by examiner

Primary Examiner — Jeffrey D Asch
Assistant Examiner — Rebekah A Caruso
(74) *Attorney, Agent, or Firm* — ZANIP

(57) **CLAIM**

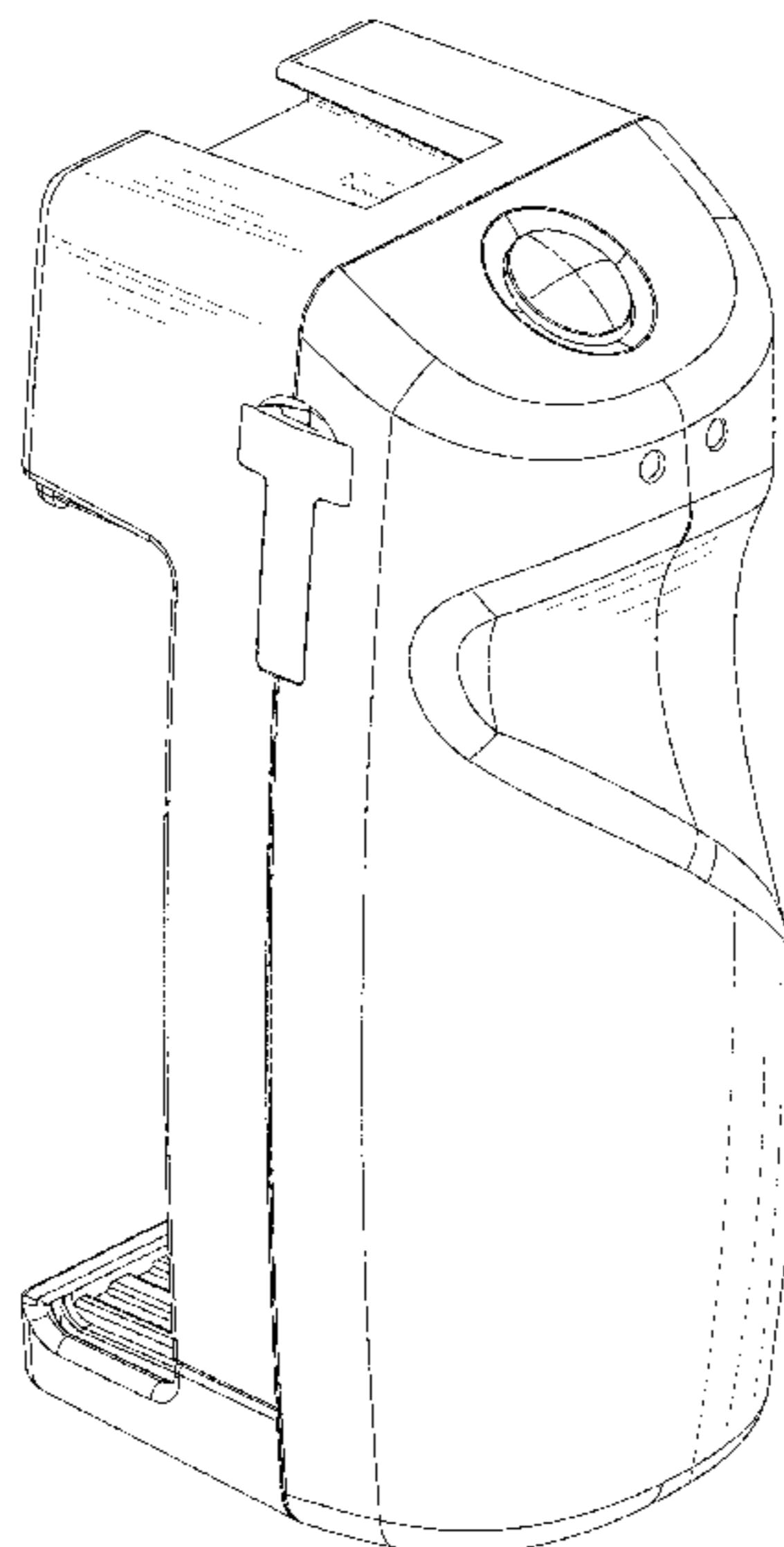
The ornamental design for a mobile phone bluetooth hand shank, as shown and described.

DESCRIPTION

FIG. 1 is a perspective view of a mobile phone bluetooth hand shank, showing my design;
FIG. 2 is a front view thereof;
FIG. 3 is a rear view thereof;
FIG. 4 is a left side view thereof;
FIG. 5 is a right side view thereof;
FIG. 6 is a top view thereof; and,
FIG. 7 is a bottom view thereof.

The broken lines in the figures illustrate portions of the mobile phone bluetooth hand shank that form no part of the claimed design.

1 Claim, 7 Drawing Sheets



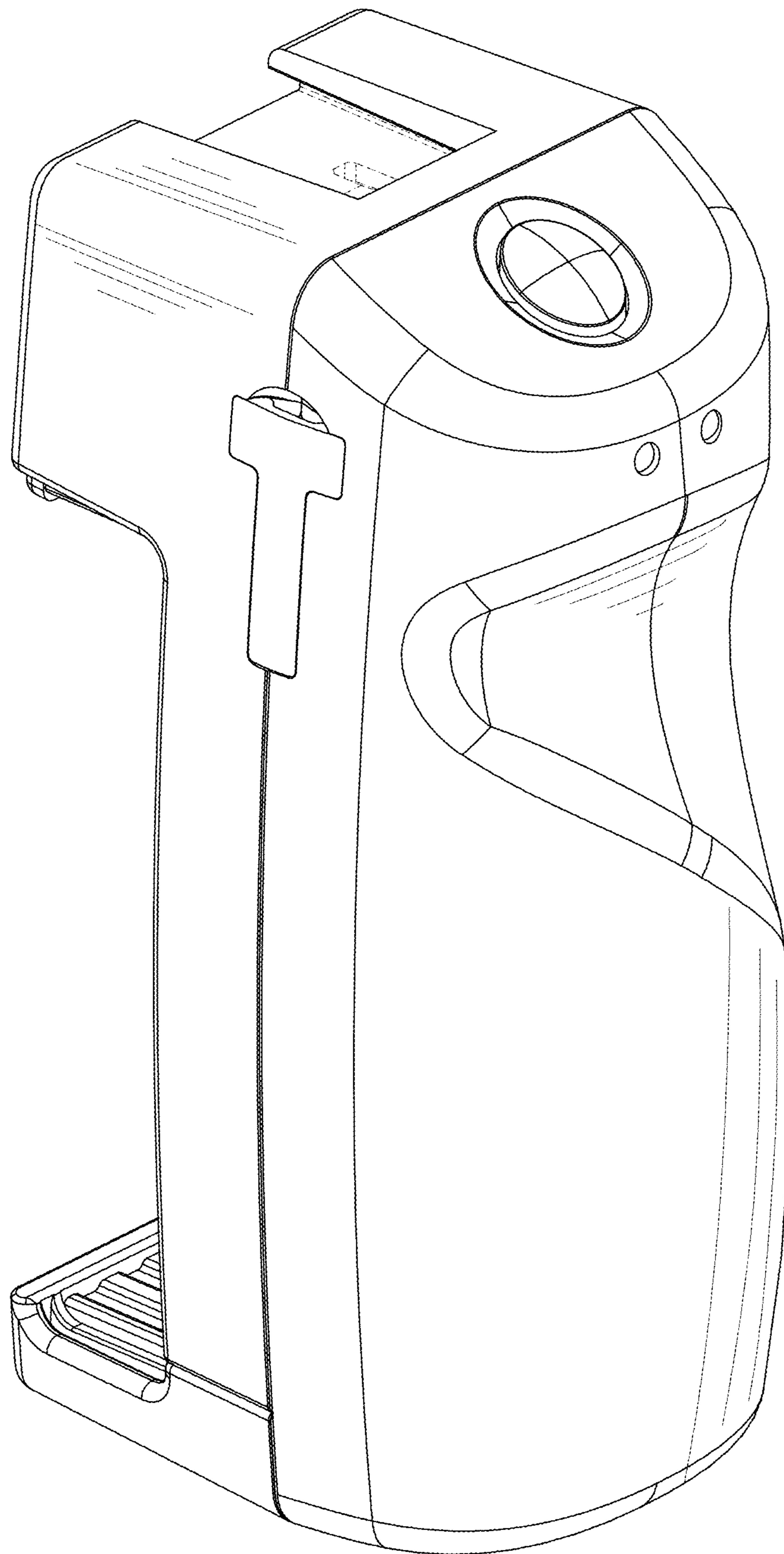


FIG. 1

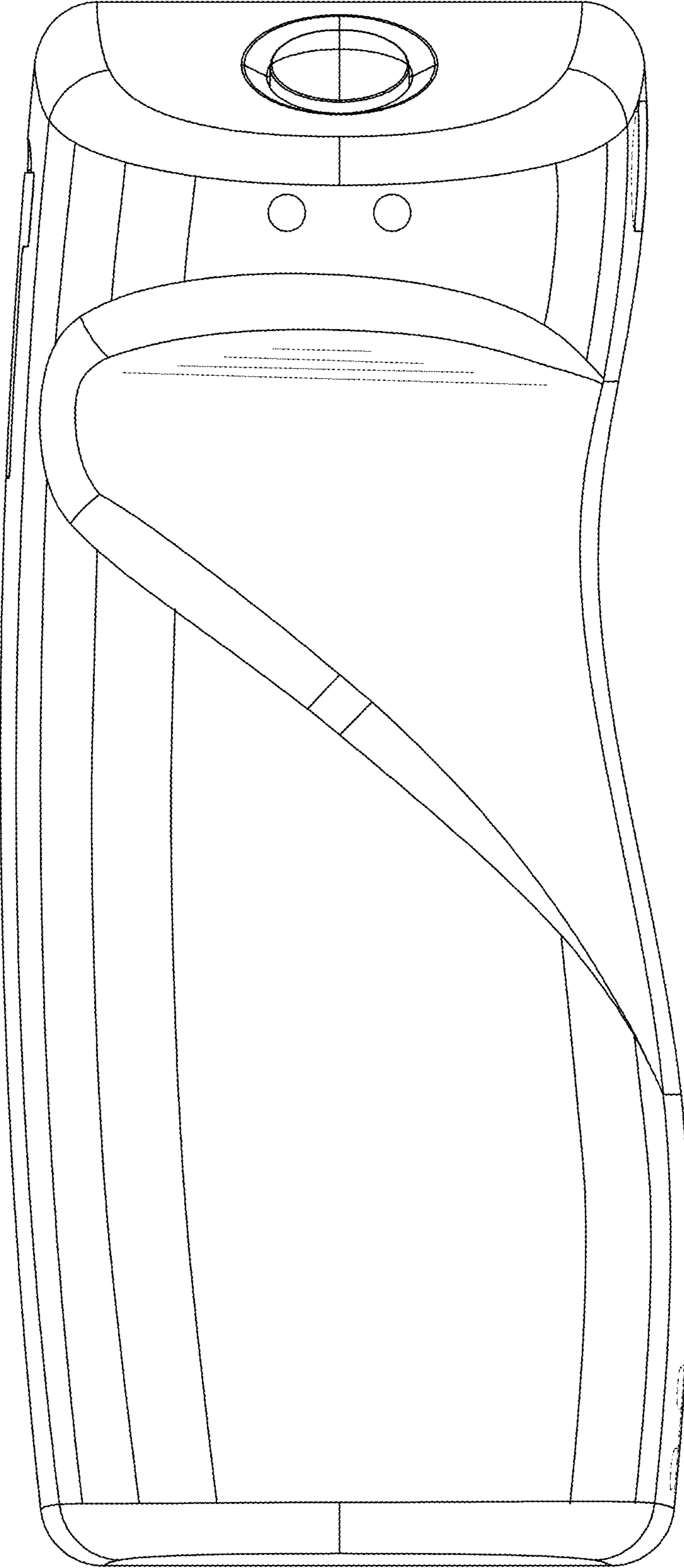


FIG. 2

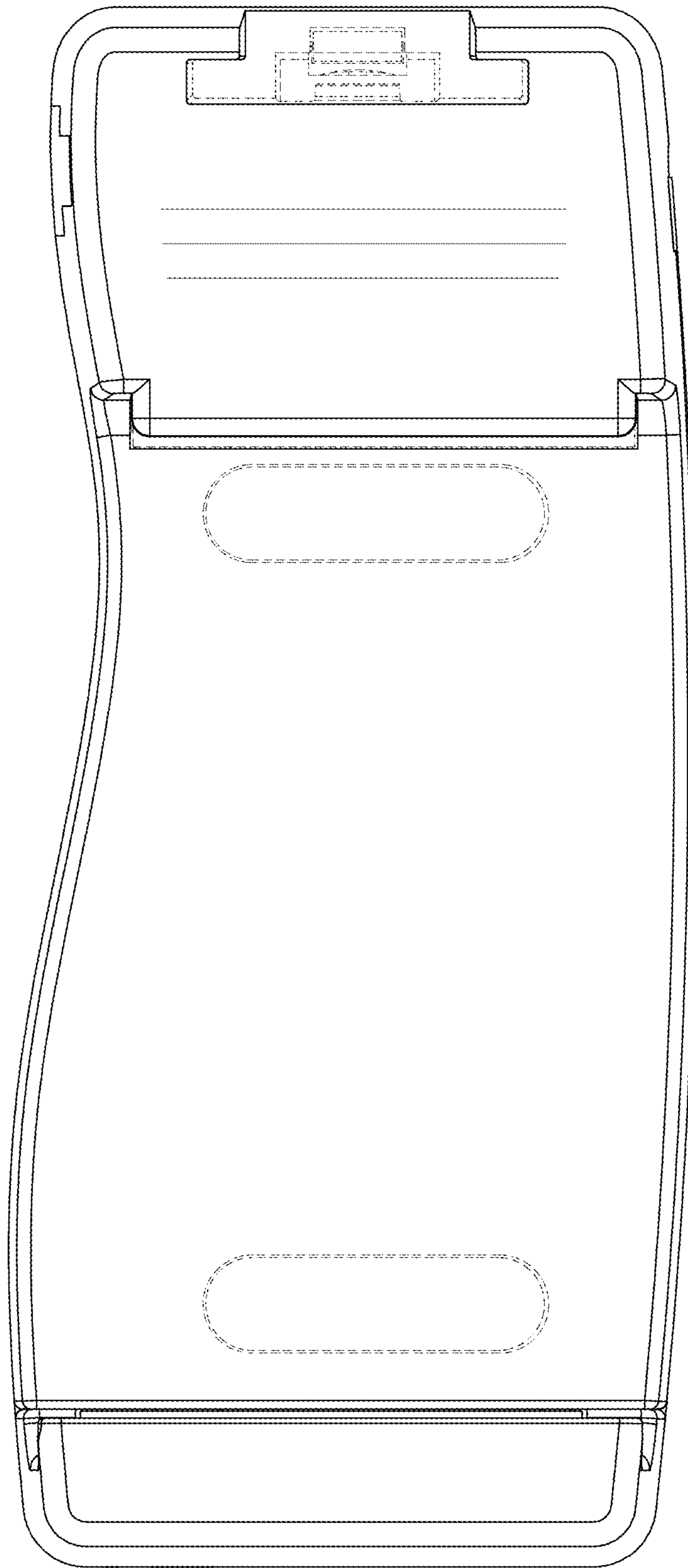


FIG. 3

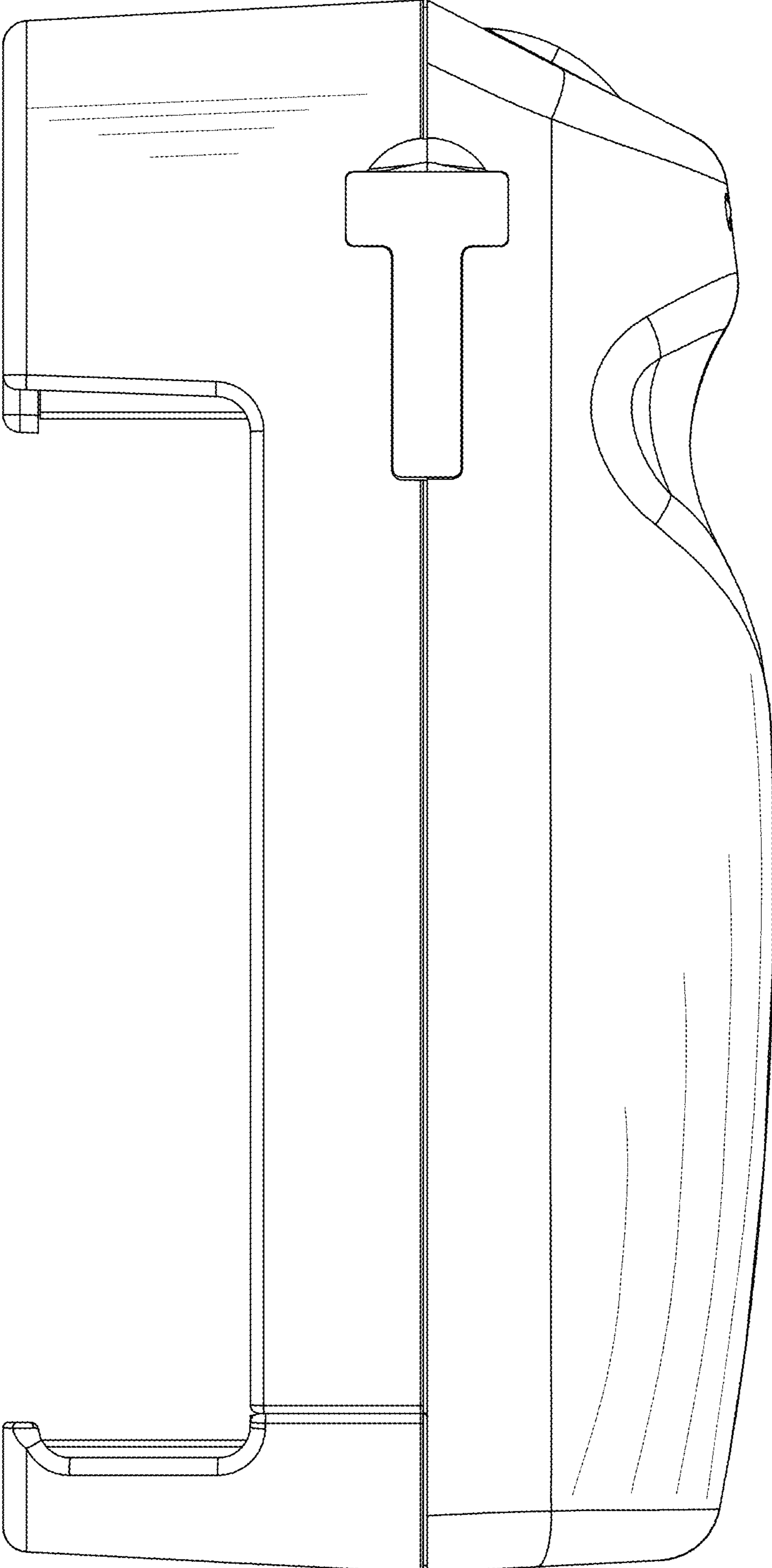


FIG. 4

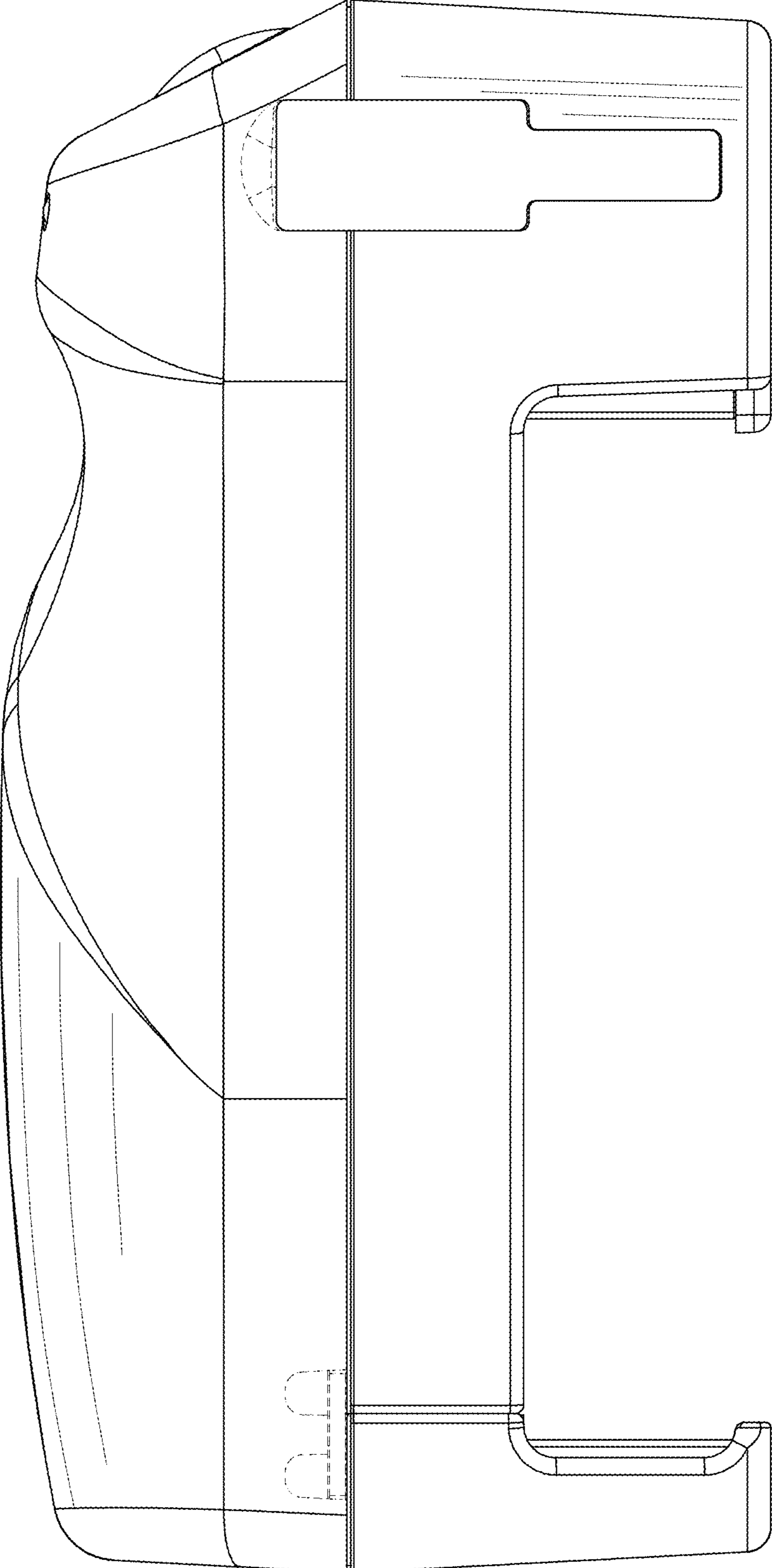


FIG. 5

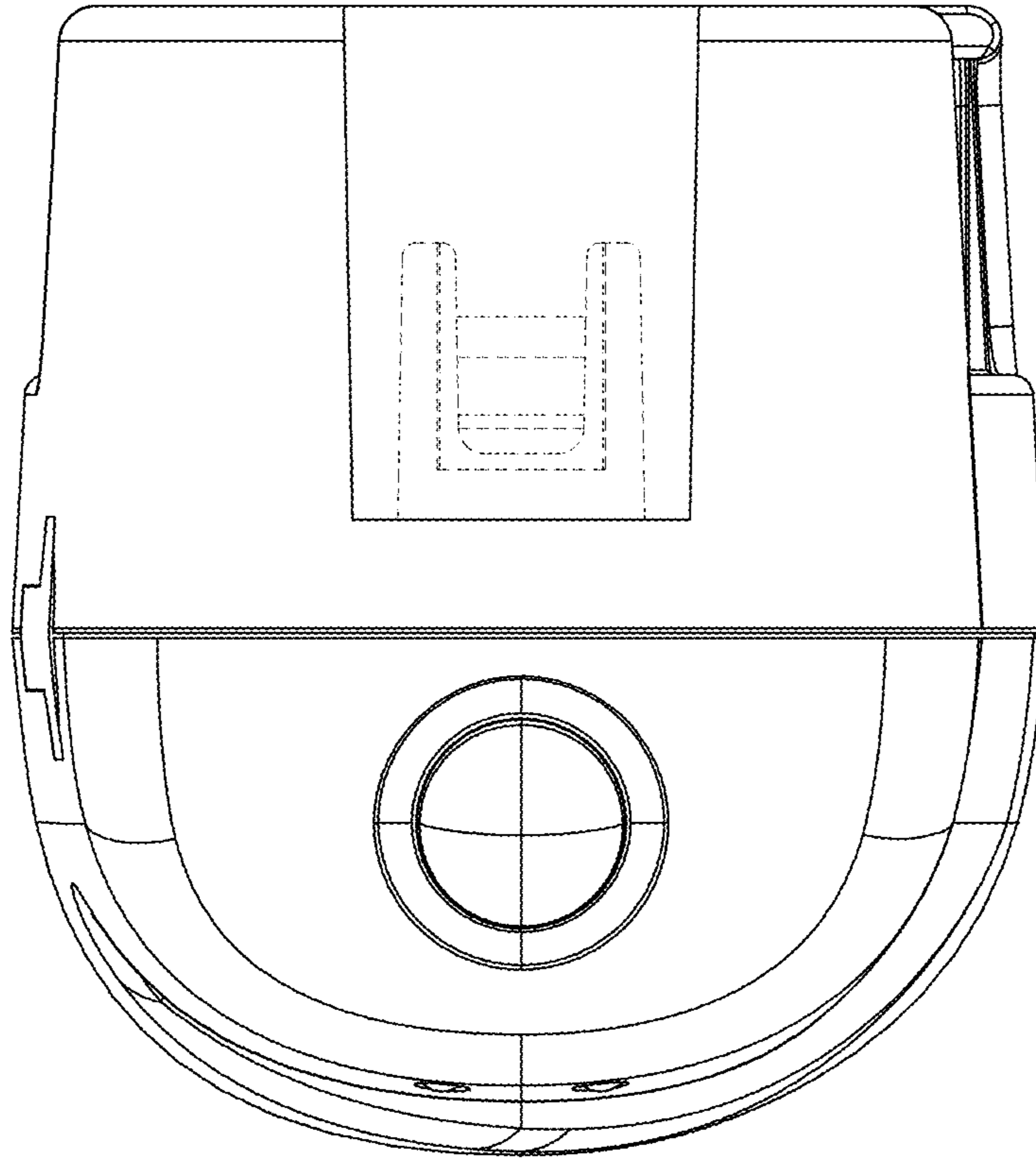


FIG. 6

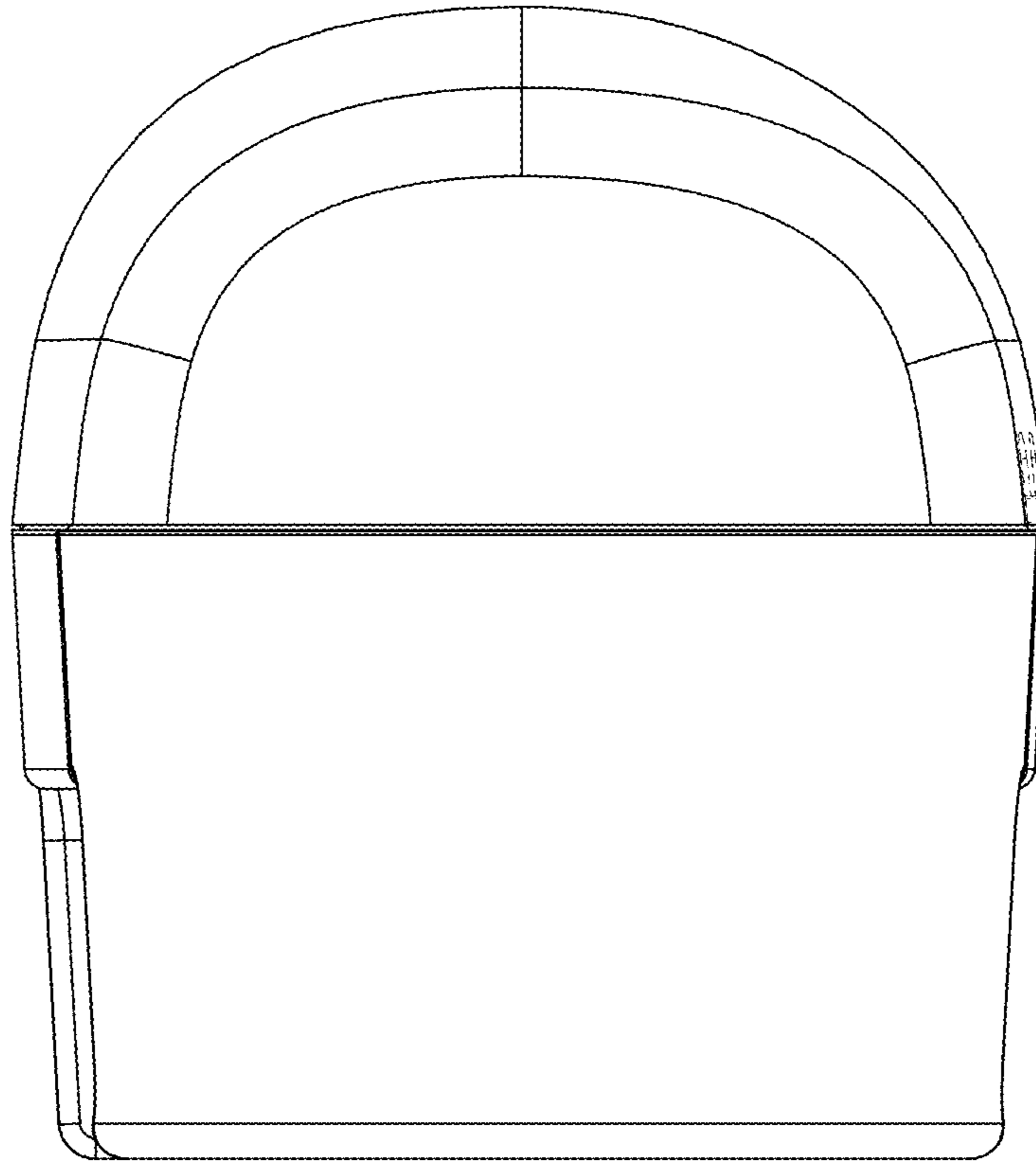


FIG. 7