



US00D900068S

(12) **United States Design Patent**
Murata

(10) **Patent No.:** **US D900,068 S**

(45) **Date of Patent:** **** Oct. 27, 2020**

(54) **MICROPHONE**

(71) Applicant: **Audio-Technica Corporation**, Tokyo (JP)

(72) Inventor: **Takashi Murata**, Tokyo (JP)

(73) Assignee: **Audio-Technica Corporation**, Tokyo (JP)

(**) Term: **15 Years**

(21) Appl. No.: **29/665,625**

(22) Filed: **Oct. 5, 2018**

(30) **Foreign Application Priority Data**

Apr. 6, 2018 (JP) 2018-007630

(51) **LOC (12) Cl.** **14-01**

(52) **U.S. Cl.**
USPC **D14/225**

(58) **Field of Classification Search**

USPC D14/221, 224, 225, 226, 227, 228, 229,
D14/150, 154, 155, 158, 160, 172

CPC H04R 19/04; H04R 19/00; H04R 1/406;
H04R 1/08; H04R 1/04; H04R 1/326;
H04R 29/004; H04R 2410/00; H04R
2410/01; H04R 2410/03; H04R 2410/05;
H04R 2410/07; H04R 2420/07; H04R
17/02

See application file for complete search history.

(56) **References Cited**

U.S. PATENT DOCUMENTS

- D264,587 S * 5/1982 Lowe D14/206
- D529,902 S * 10/2006 Tan D14/225
- D620,482 S * 7/2010 Chen D14/225
- D791,107 S * 7/2017 Goltche D14/225
- D830,339 S * 10/2018 Yan D14/206
- D835,080 S * 12/2018 Chen D14/226
- D851,629 S * 6/2019 Summerson D14/206
- D853,988 S * 7/2019 Wang D14/206

- D865,708 S * 11/2019 Lee D14/206
- D868,734 S * 12/2019 Wang D14/206
- D877,116 S * 3/2020 Liu D14/206
- 2006/0159256 A1 * 7/2006 Akino H04M 1/03
379/430
- 2007/0269073 A1 * 11/2007 Huang H04R 1/1016
381/380

(Continued)

OTHER PUBLICATIONS

Audio-Technica BPHS2 Broadcast Headset Microphone, announced © 1996-2020 [online], retrieved Mar. 11, 2020, retrieved from internet, <https://www.zzounds.com/item--AUTBPHS2>.*

Primary Examiner — Dana K Weiland

Assistant Examiner — Messina L Smith

(74) *Attorney, Agent, or Firm* — W&C IP

(57) **CLAIM**

The ornamental design for a microphone, as shown and described.

DESCRIPTION

FIG. 1 is a front perspective view of a microphone, showing my new design;

FIG. 2 is a rear perspective view of the microphone;

FIG. 3 is a front elevational view of the microphone;

FIG. 4 is a rear elevational view of the microphone;

FIG. 5 is a top plan view of the microphone;

FIG. 6 is a bottom plan view of the microphone;

FIG. 7 is a left side elevational view of the microphone;

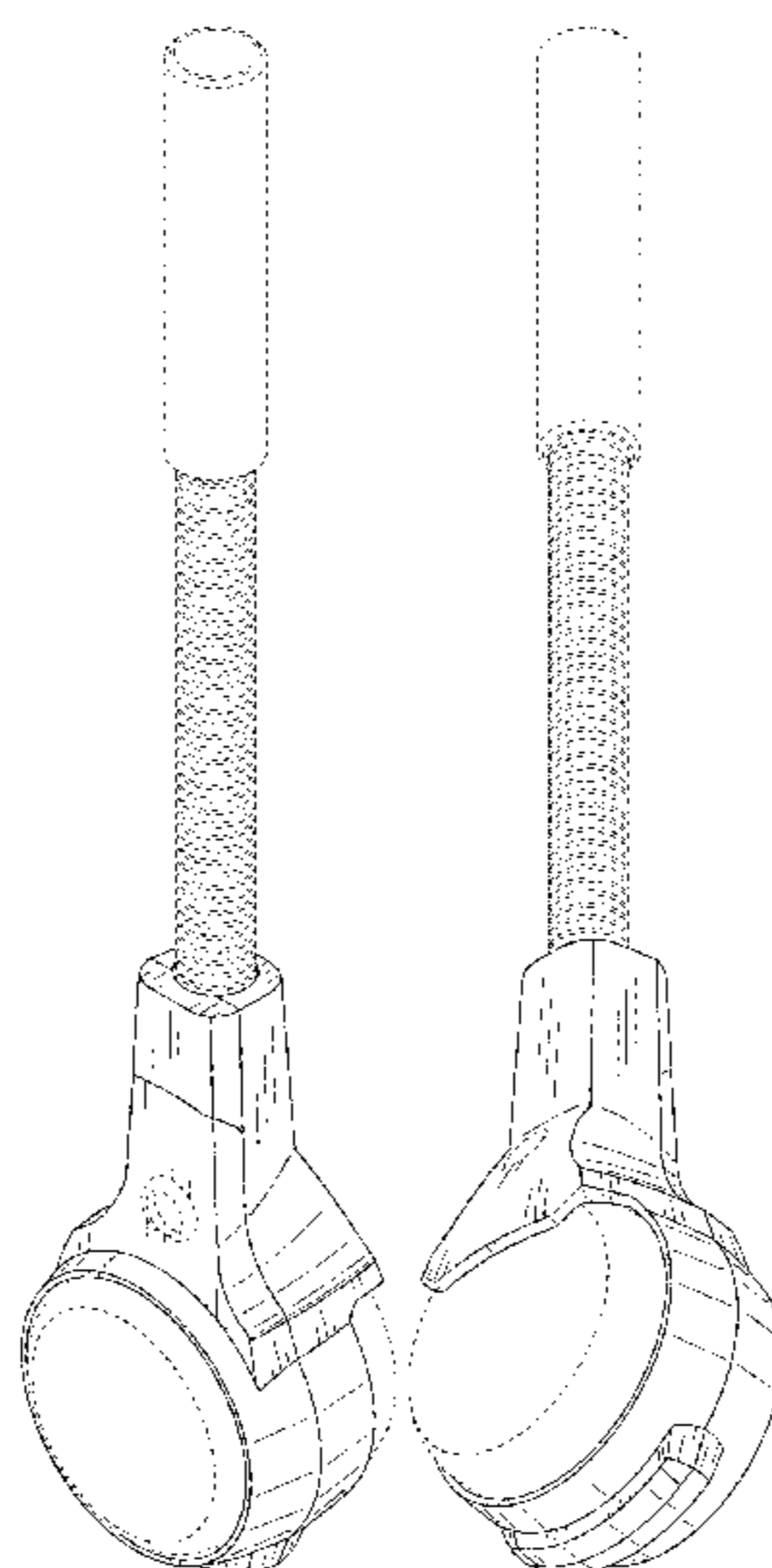
FIG. 8 is a right side elevational view of the microphone;

and,

FIG. 9 is a perspective view of the microphone, shown in an environment of use.

The broken line showing of the headset in FIG. 9 depicts environment and forms no part of the claimed design. All other broken lines depict portions of the microphone that form no part of the claimed design.

1 Claim, 9 Drawing Sheets



(56)

References Cited

U.S. PATENT DOCUMENTS

2008/0049960 A1* 2/2008 Petersen H04R 1/083
381/375

* cited by examiner

FIG. 1

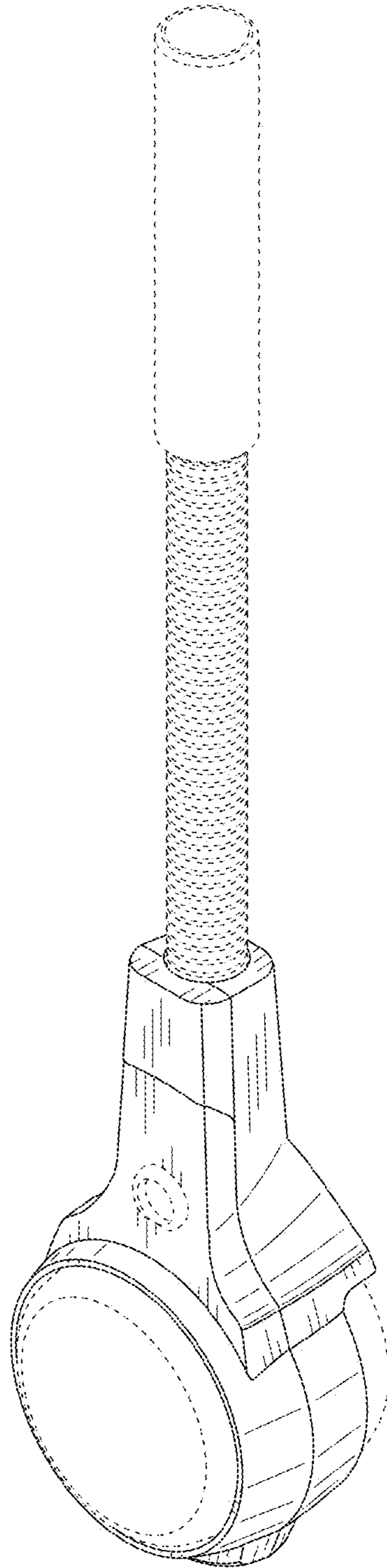


FIG. 2

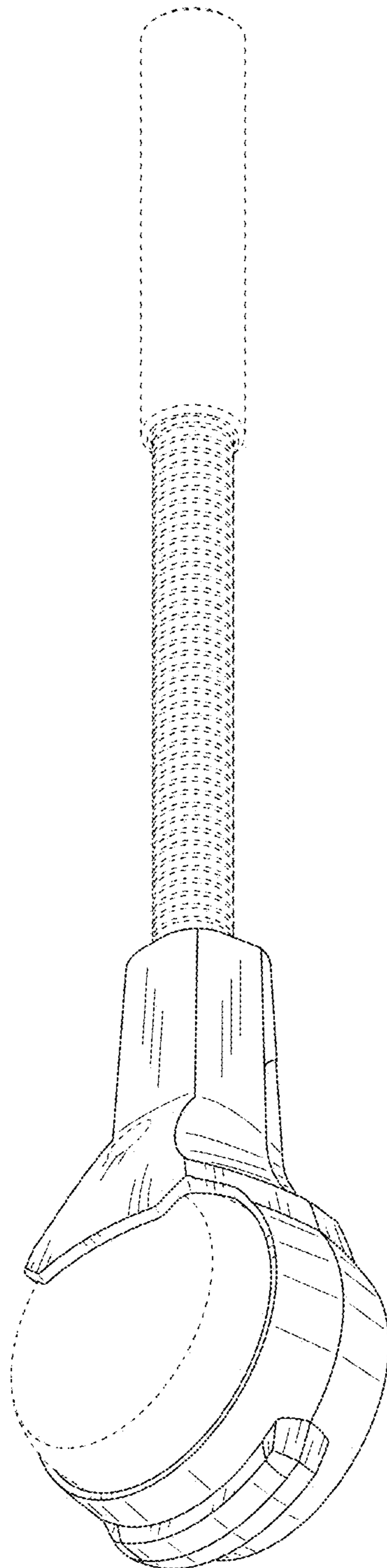


FIG. 3

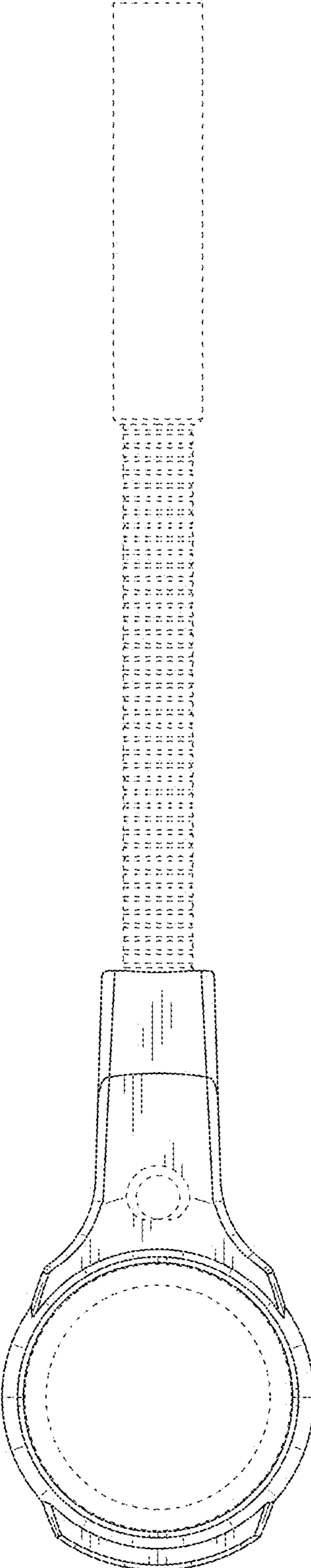


FIG. 4

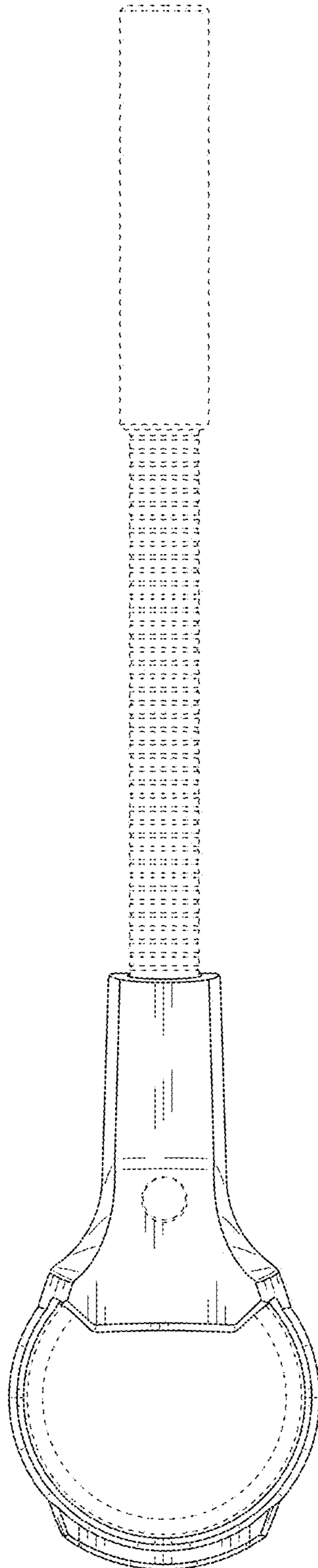


FIG. 5

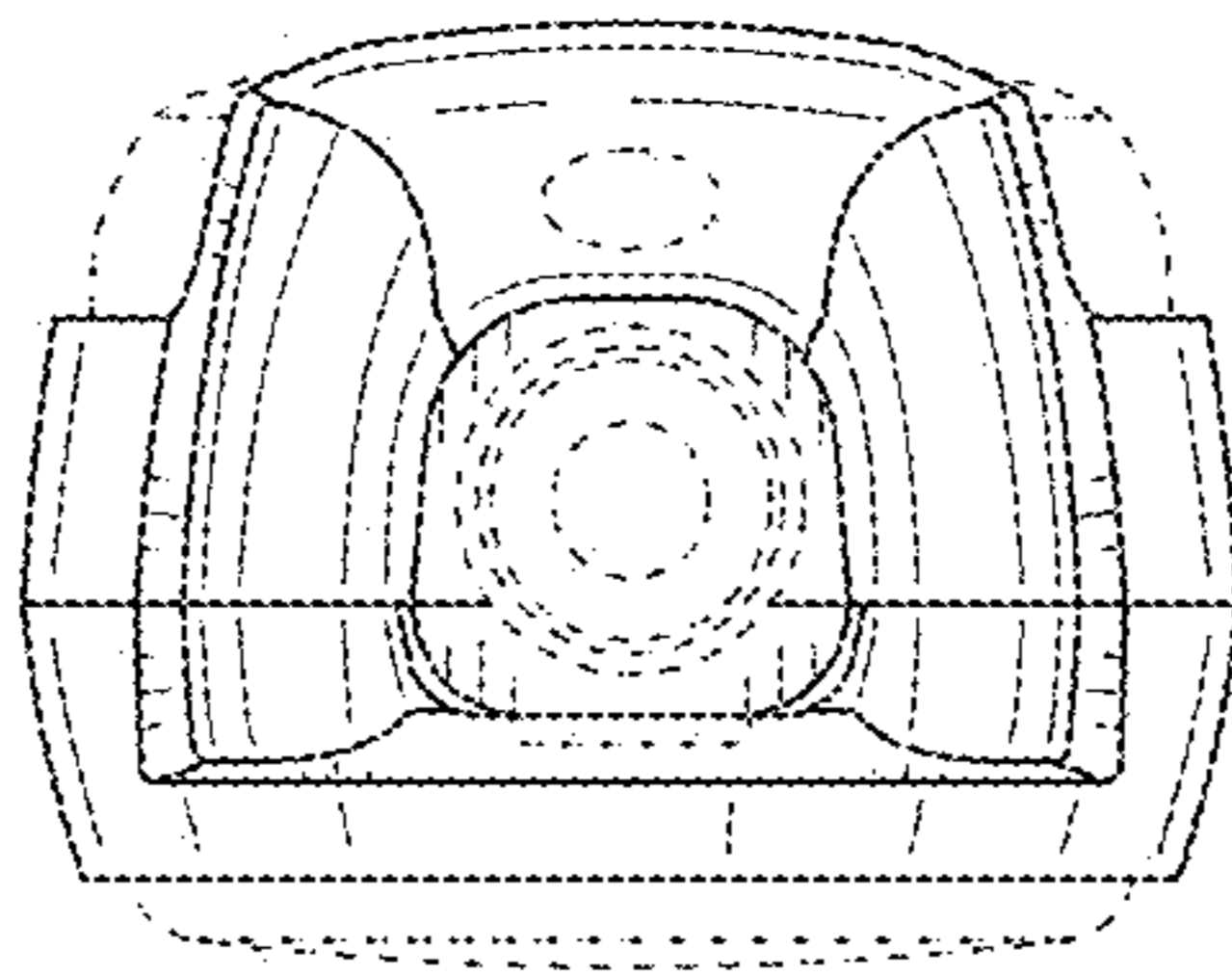


FIG. 6

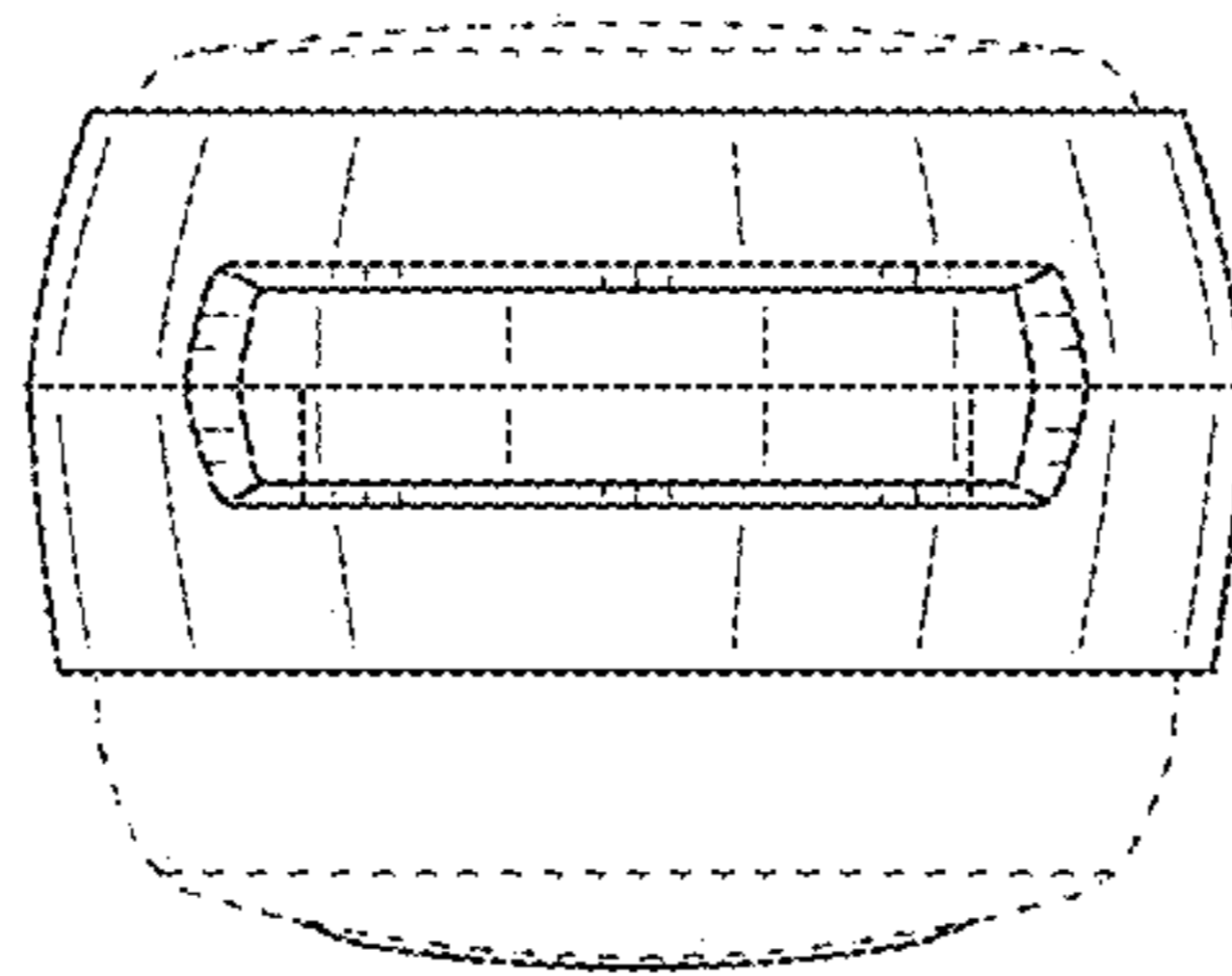


FIG. 7

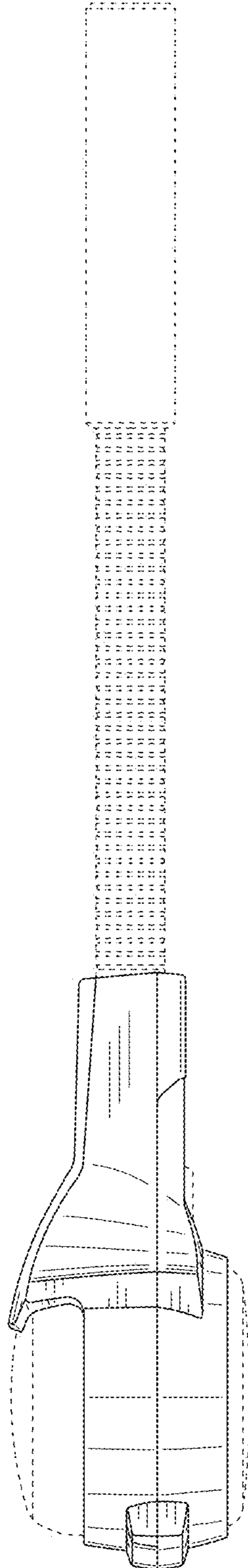


FIG. 8

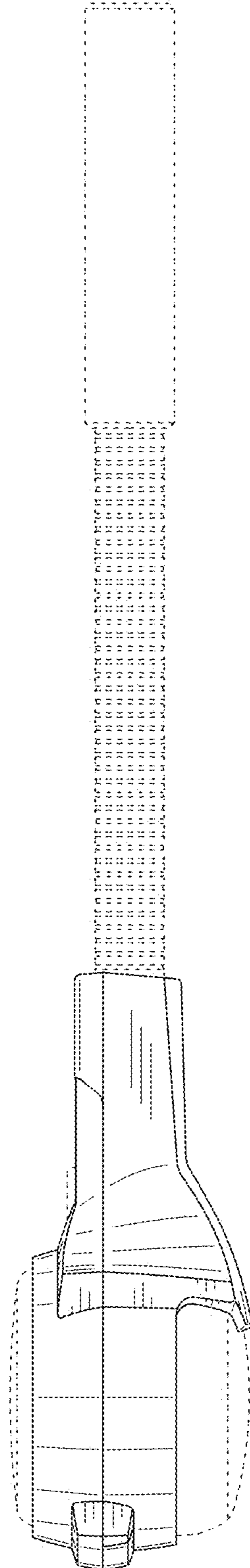


FIG. 9

