

US00D900065S

(12) **United States Design Patent**  
**Distefano**

(10) **Patent No.:** **US D900,065 S**

(45) **Date of Patent:** **\*\* Oct. 27, 2020**

(54) **HEADPHONE**

(71) Applicant: **Harman International Industries, Incorporated, Northridge, CA (US)**

(72) Inventor: **Dario Distefano, Shenzhen (CN)**

(73) Assignee: **Harman International Industries, Incorporated, Northridge, CA (US)**

(\*\*) Term: **15 Years**

(21) Appl. No.: **29/688,619**

(22) Filed: **Apr. 23, 2019**

(51) **LOC (12) Cl.** ..... **14-01**

(52) **U.S. Cl.**  
USPC ..... **D14/223**

(58) **Field of Classification Search**  
USPC ..... D14/223, 205, 206; D24/174; 128/864, 128/865, 866; 181/129, 130, 135; 379/430, 431; 381/380, 381, 322-324, 381/330; 455/90.3, 575, 1, 569.1  
CPC ..... H04R 1/10; H04R 25/00; H04R 1/1016; H04R 1/1066; H04R 5/033; H04R 5/0335; H04R 1/1091; H04R 1/1058; H04R 1/105; H04R 1/1083  
See application file for complete search history.

(56) **References Cited**

**U.S. PATENT DOCUMENTS**

- D681,015 S 4/2013 Akana et al.
- D691,594 S \* 10/2013 Akana ..... D14/223
- D695,718 S 12/2013 Burgett et al.
- D696,230 S 12/2013 Burgett et al.
- D707,206 S 6/2014 Akana et al.
- D713,385 S 9/2014 Burgett et al.
- D716,771 S 11/2014 Burgett et al.
- D718,284 S \* 11/2014 Shibusawa ..... D14/223
- D725,081 S 3/2015 Burgett et al.
- D725,634 S 3/2015 Burgett et al.
- D725,635 S 3/2015 Burgett et al.

- D732,008 S 6/2015 Akana et al.
- D746,268 S 12/2015 Karayiannis et al.
- D755,759 S \* 5/2016 Cai ..... D14/223
- D757,682 S \* 5/2016 Perez ..... D14/205
- D769,849 S 10/2016 Akana et al.
- D770,412 S \* 11/2016 Son ..... D14/205
- D801,314 S 10/2017 Akana et al.
- D820,809 S 6/2018 Akana et al.
- D830,345 S \* 10/2018 Cai ..... D14/223
- D832,232 S 10/2018 Czaniecki et al.
- D847,125 S 4/2019 Akana et al.

(Continued)

*Primary Examiner* — Katie Jane Stofko

(74) *Attorney, Agent, or Firm* — Plumsea Law Group, LLC

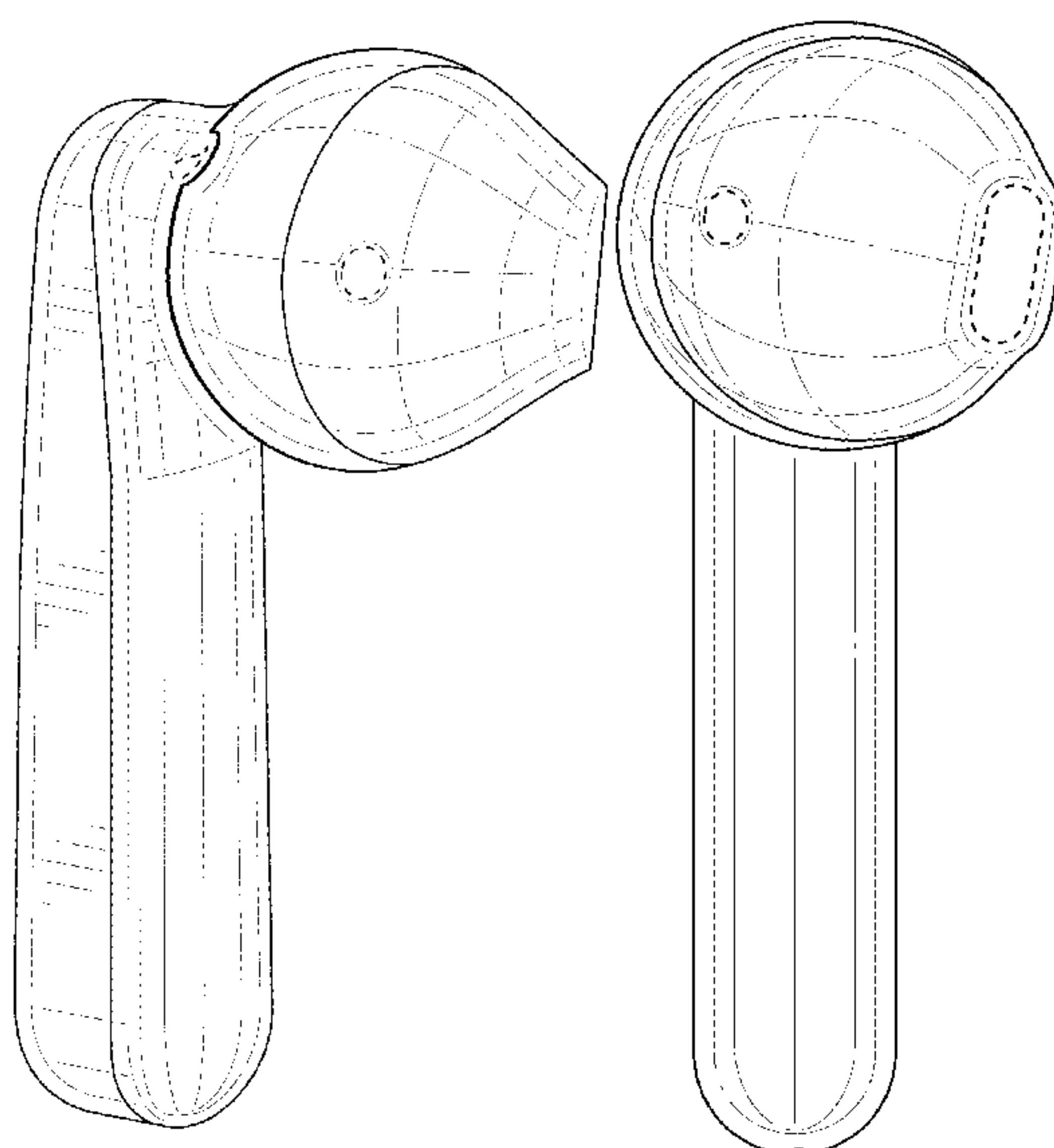
(57) **CLAIM**

The ornamental design for a headphone, as shown and described.

**DESCRIPTION**

FIG. 1 is a perspective view of a headphone showing the new design;  
 FIG. 2 is a front elevational view thereof;  
 FIG. 3 is a rear elevational view thereof;  
 FIG. 4 is a side elevational view thereof;  
 FIG. 5 is an opposite side elevational view thereof;  
 FIG. 6 is a top view thereof;  
 FIG. 7 is a bottom view thereof;  
 FIG. 8 is a perspective view of another embodiment of the headphone, illustrating a mirror image of the headphone of FIGS. 1-7;  
 FIG. 9 is a front elevational view thereof;  
 FIG. 10 is a rear elevational view thereof;  
 FIG. 11 is a side elevational view thereof;  
 FIG. 12 is an opposite side elevational view thereof;  
 FIG. 13 is a top view thereof; and,  
 FIG. 14 is a bottom view thereof.  
 The broken lines in the drawings illustrate portions of the headphone that form no part of the claimed design.

**1 Claim, 14 Drawing Sheets**



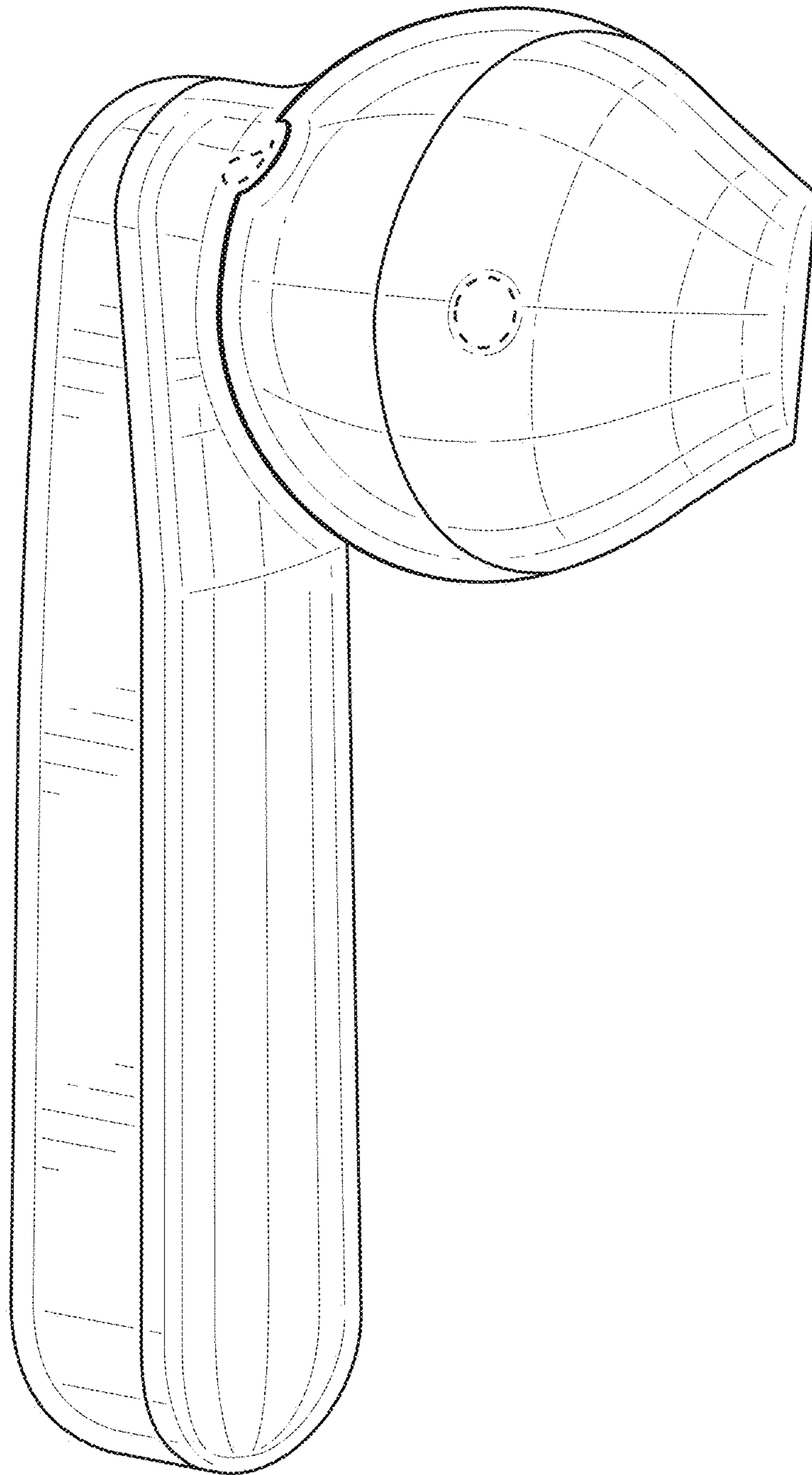
(56)

**References Cited**

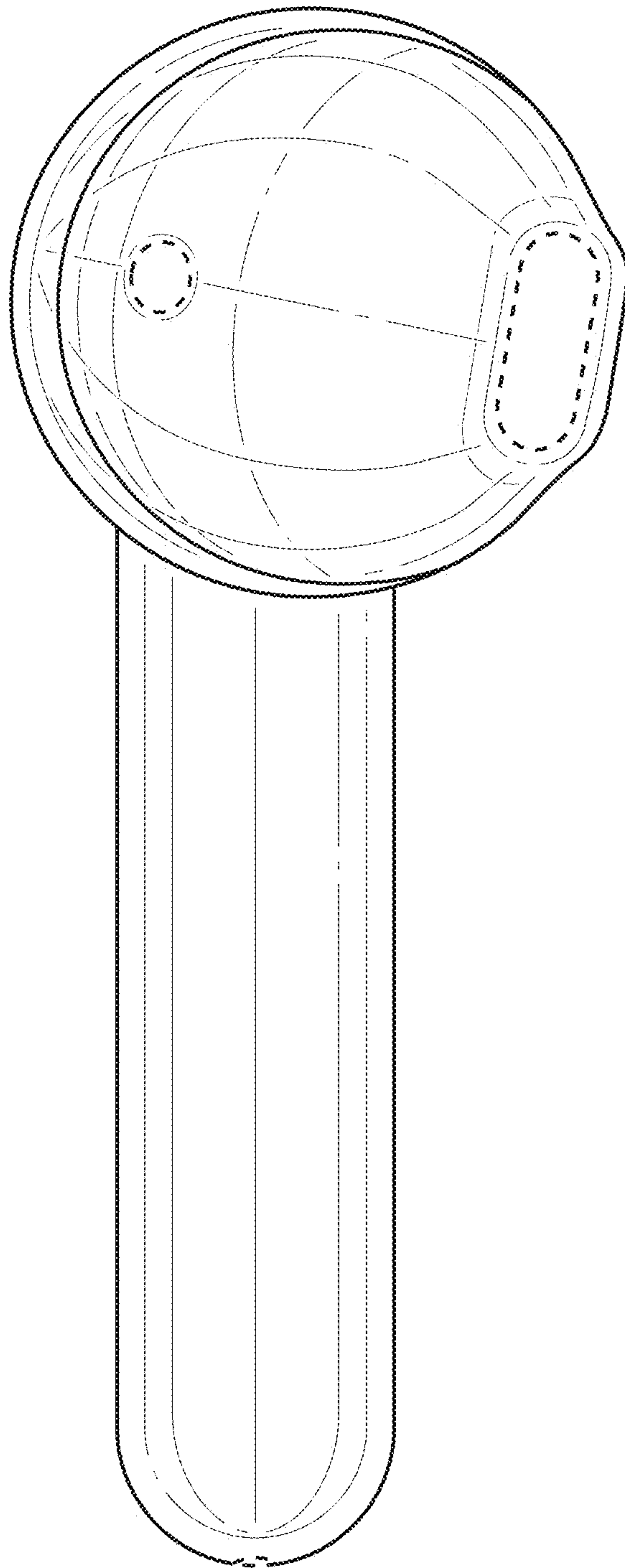
U.S. PATENT DOCUMENTS

D853,995	S	*	7/2019	Cai	.....	D14/223
D861,647	S	*	10/2019	Chen	.....	D14/223
D865,720	S	*	11/2019	Deng	.....	D14/223
D867,325	S		11/2019	Akana et al.		
D869,445	S	*	12/2019	Hu	.....	D14/223
D877,722	S	*	3/2020	Yang	.....	D14/223
D878,337	S	*	3/2020	Yang	.....	D14/223
2017/0094392	A1		3/2017	Zorkendorfer et al.		
2018/0083468	A1	*	3/2018	Dennis	.....	H02J 7/0044

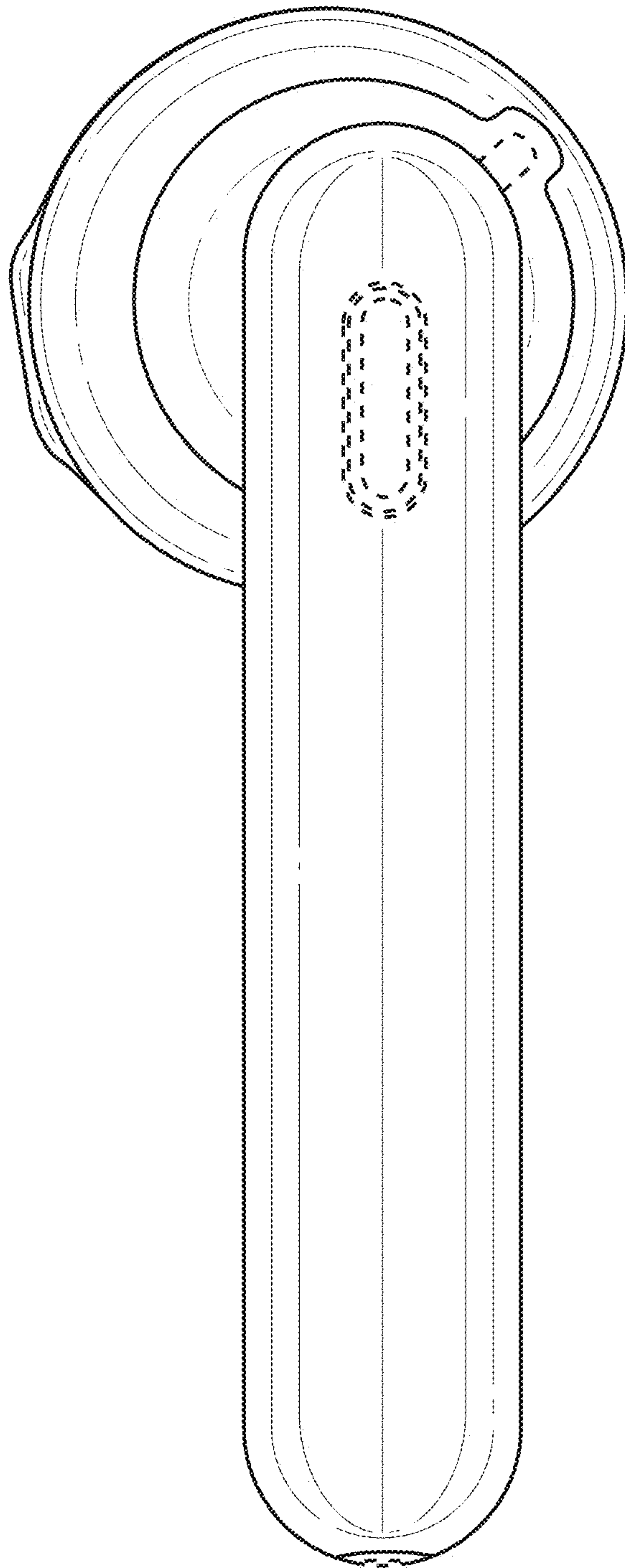
\* cited by examiner



**FIG. 1**

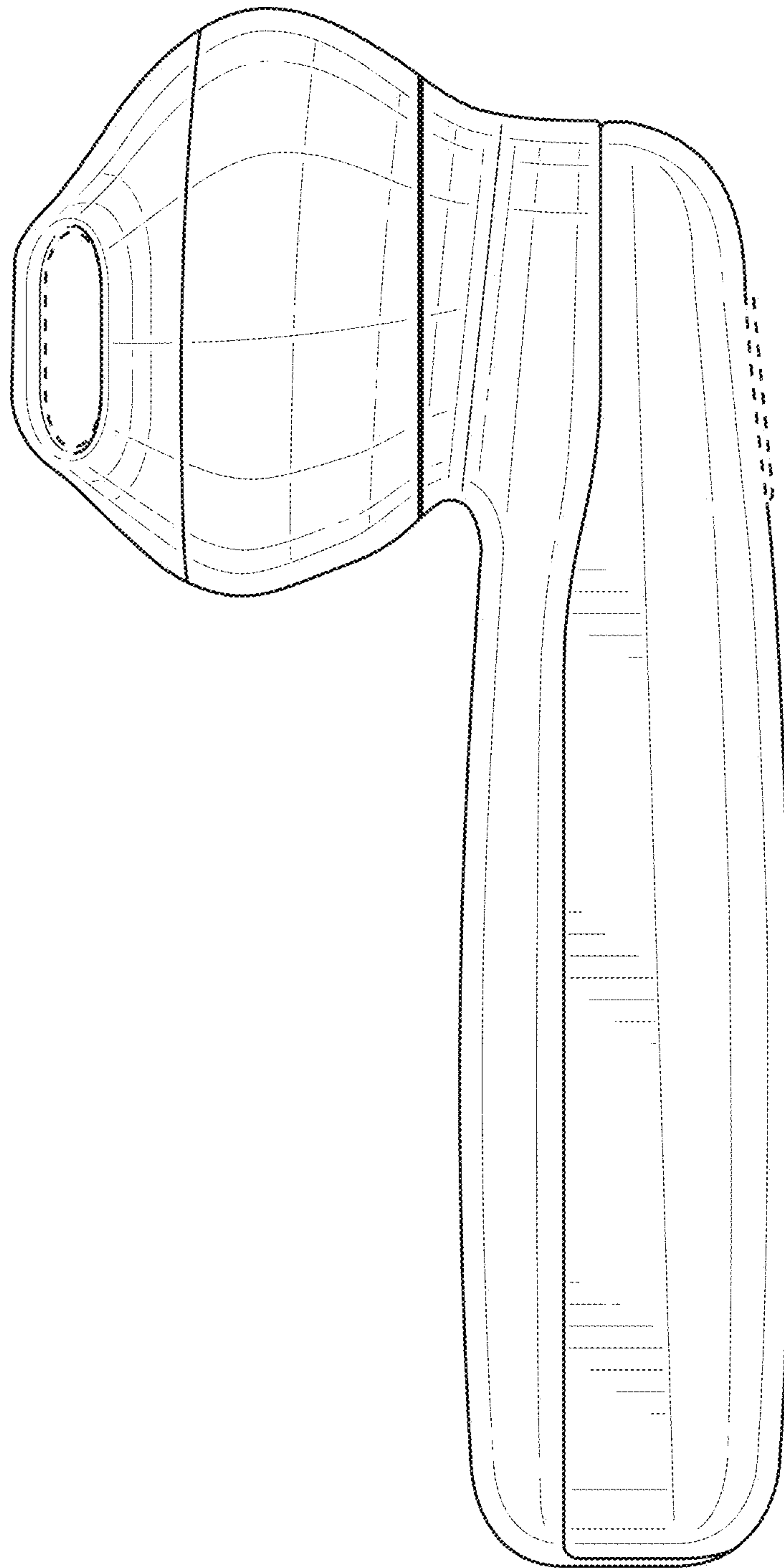


**FIG. 2**

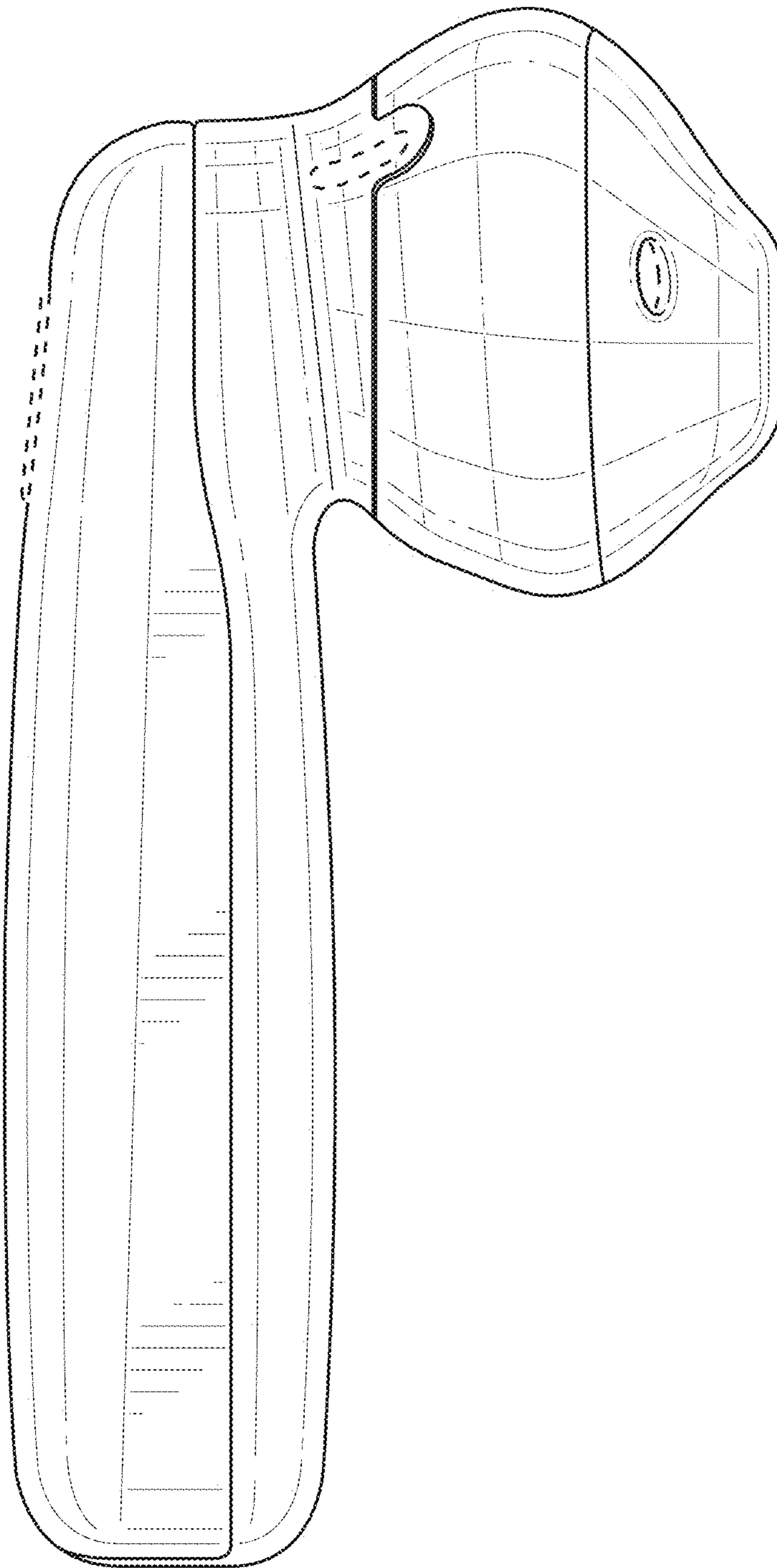


**FIG. 3**

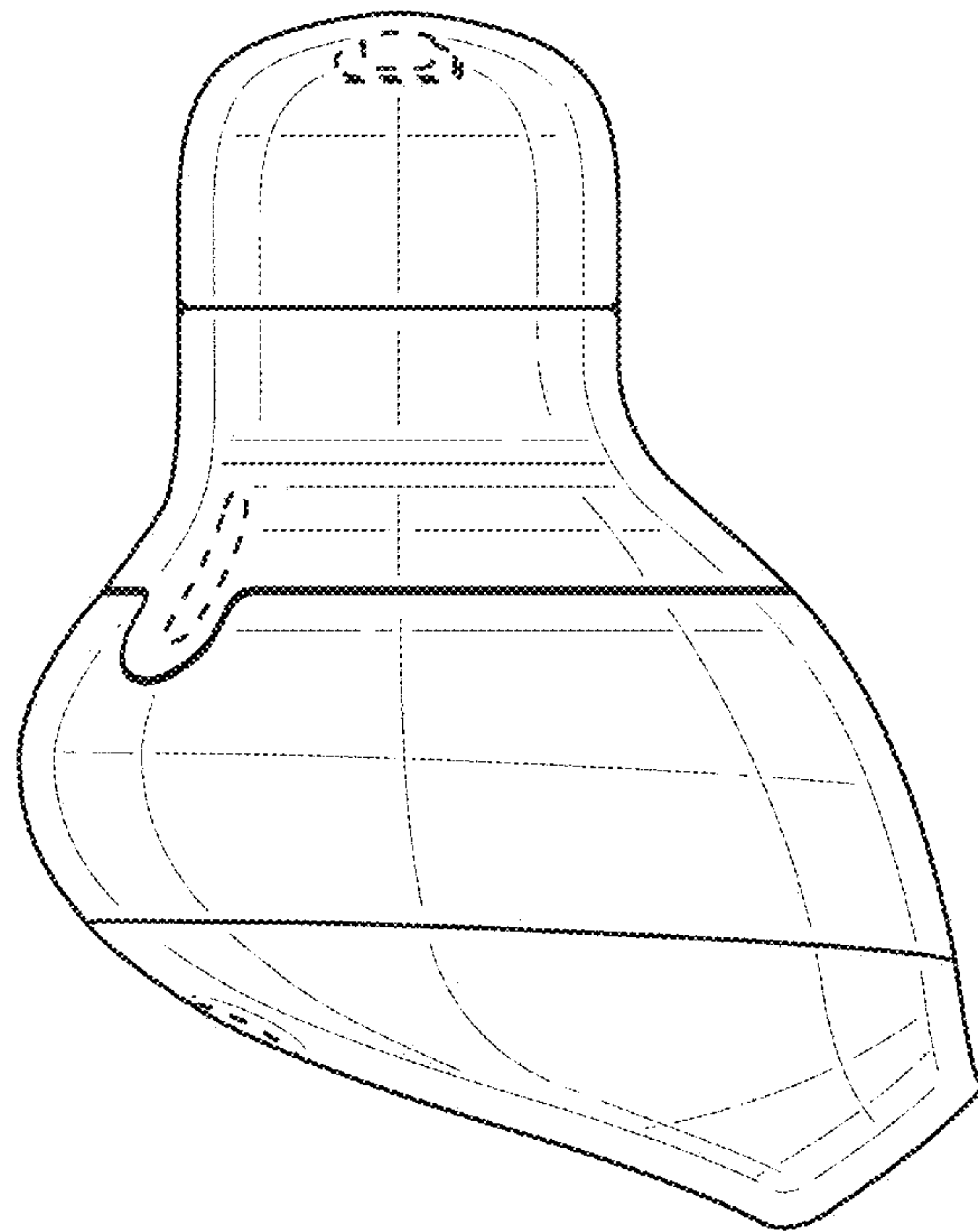




**FIG. 4**

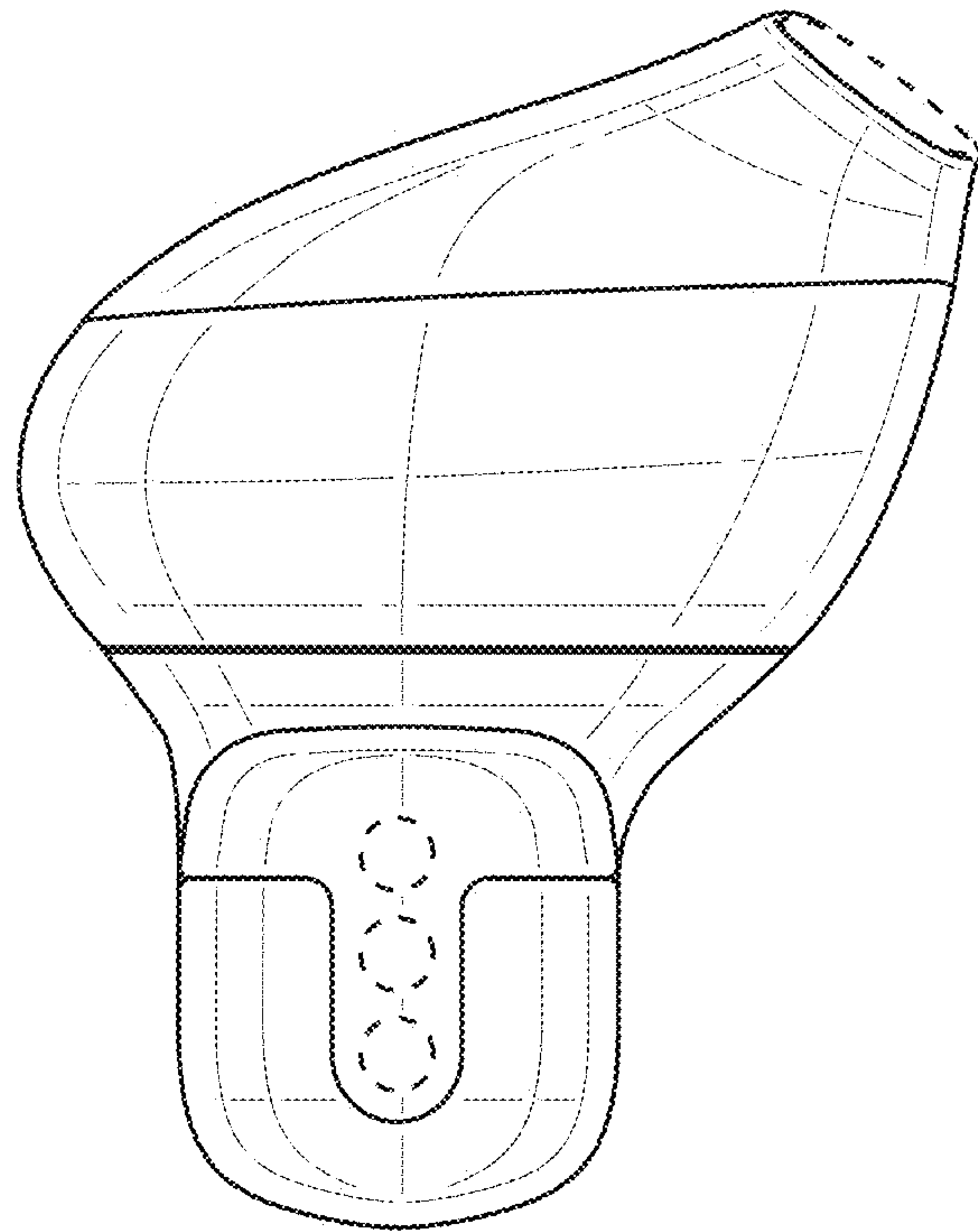


**FIG. 5**

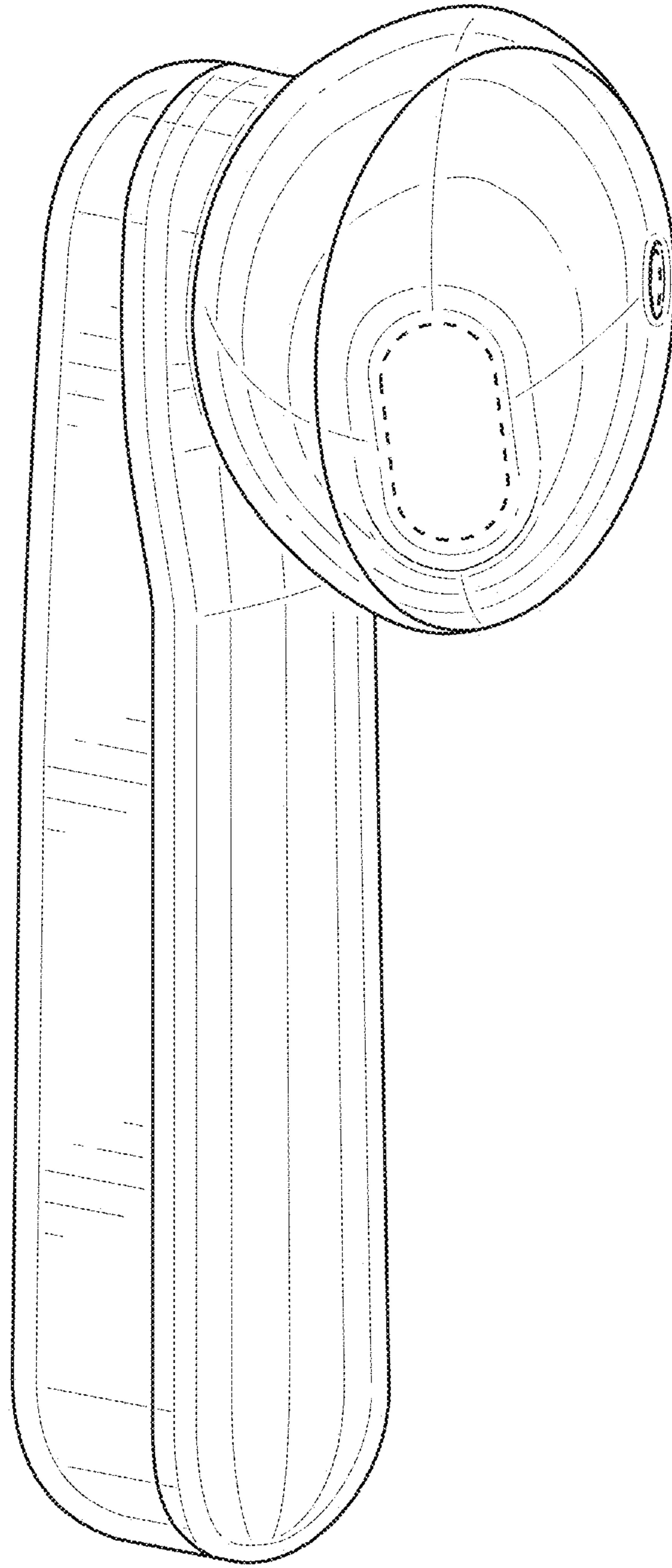


**FIG. 6**

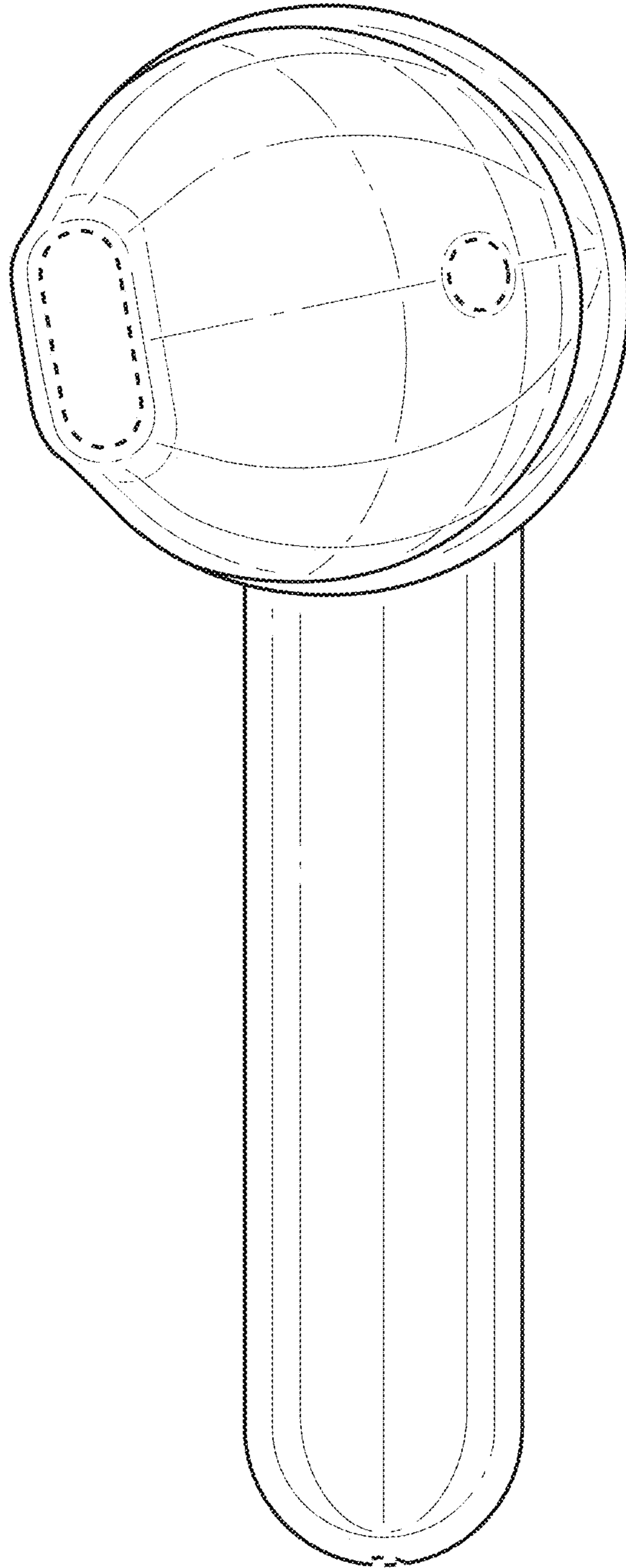




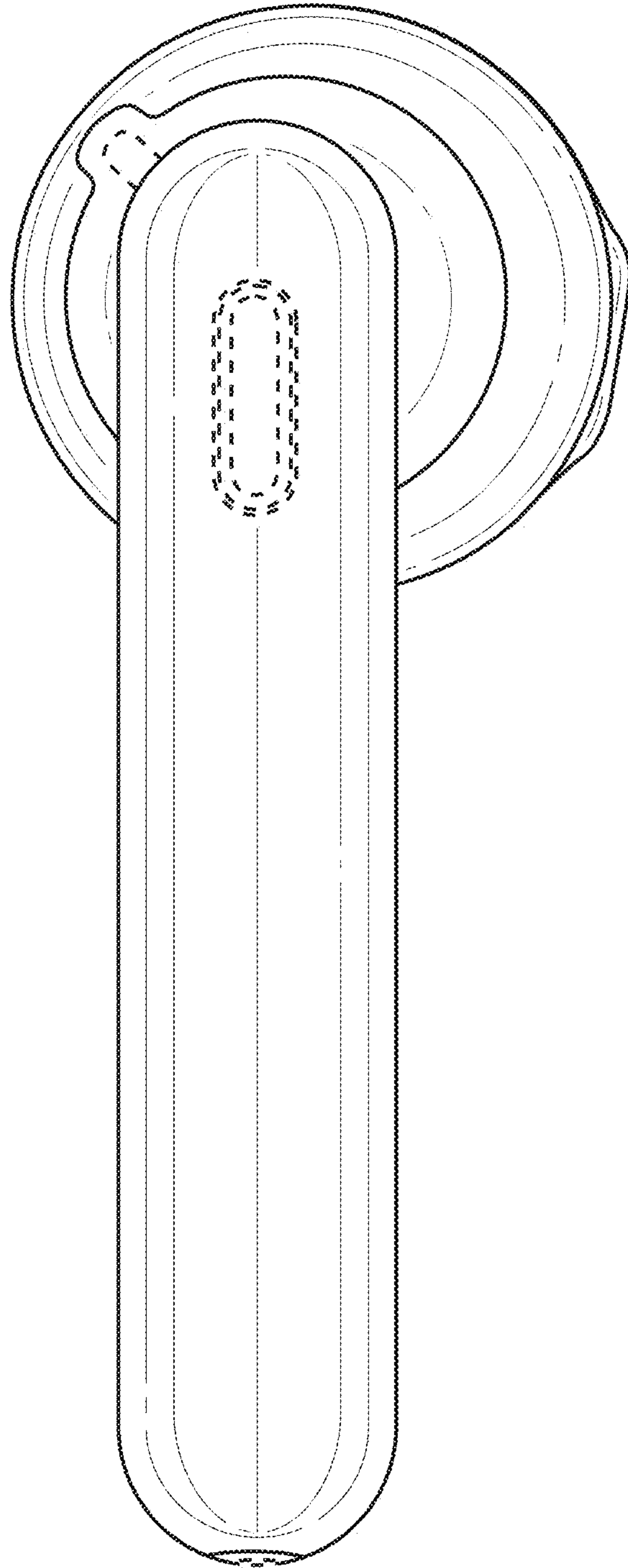
**FIG. 7**



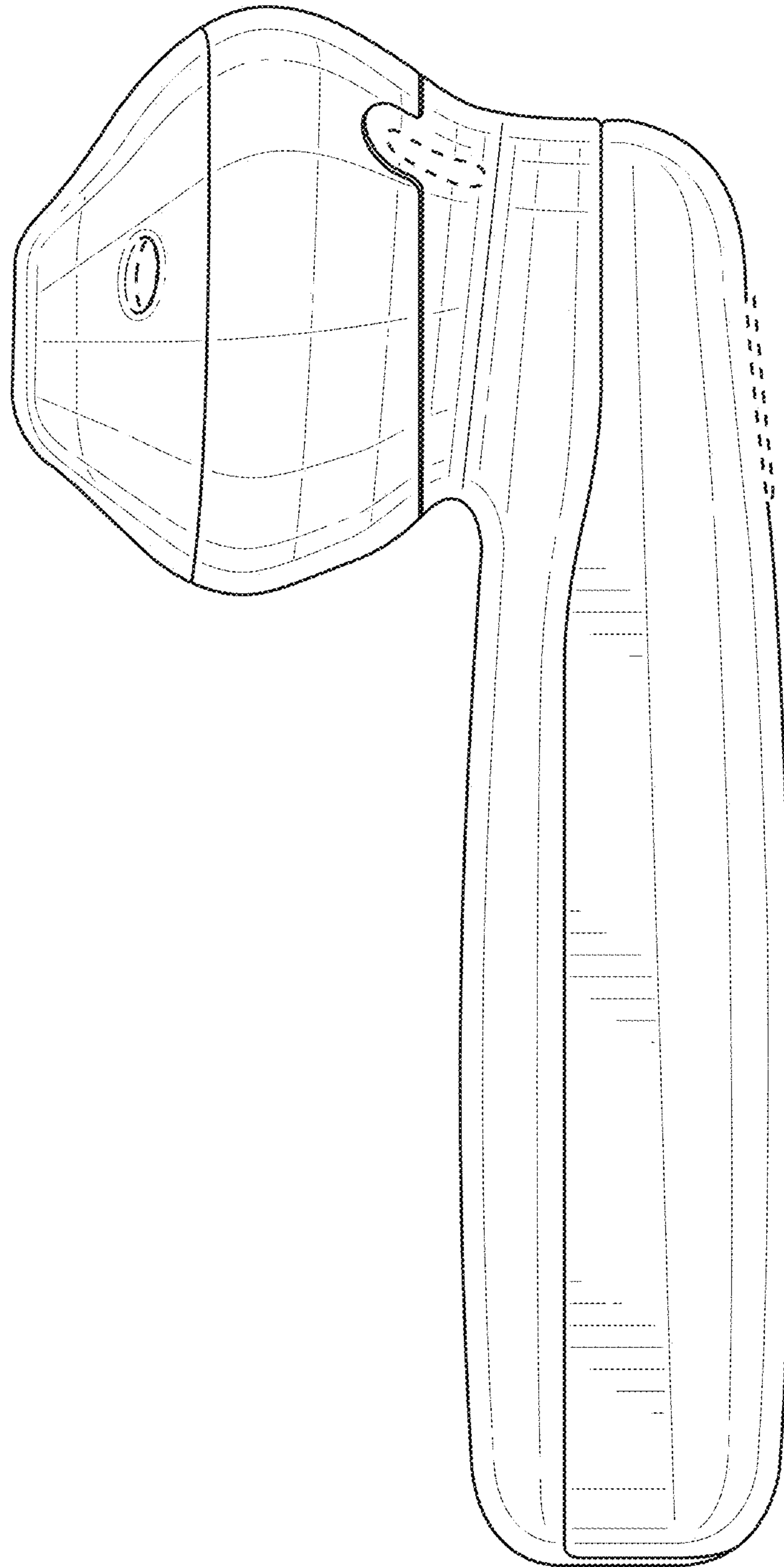
**FIG. 8**



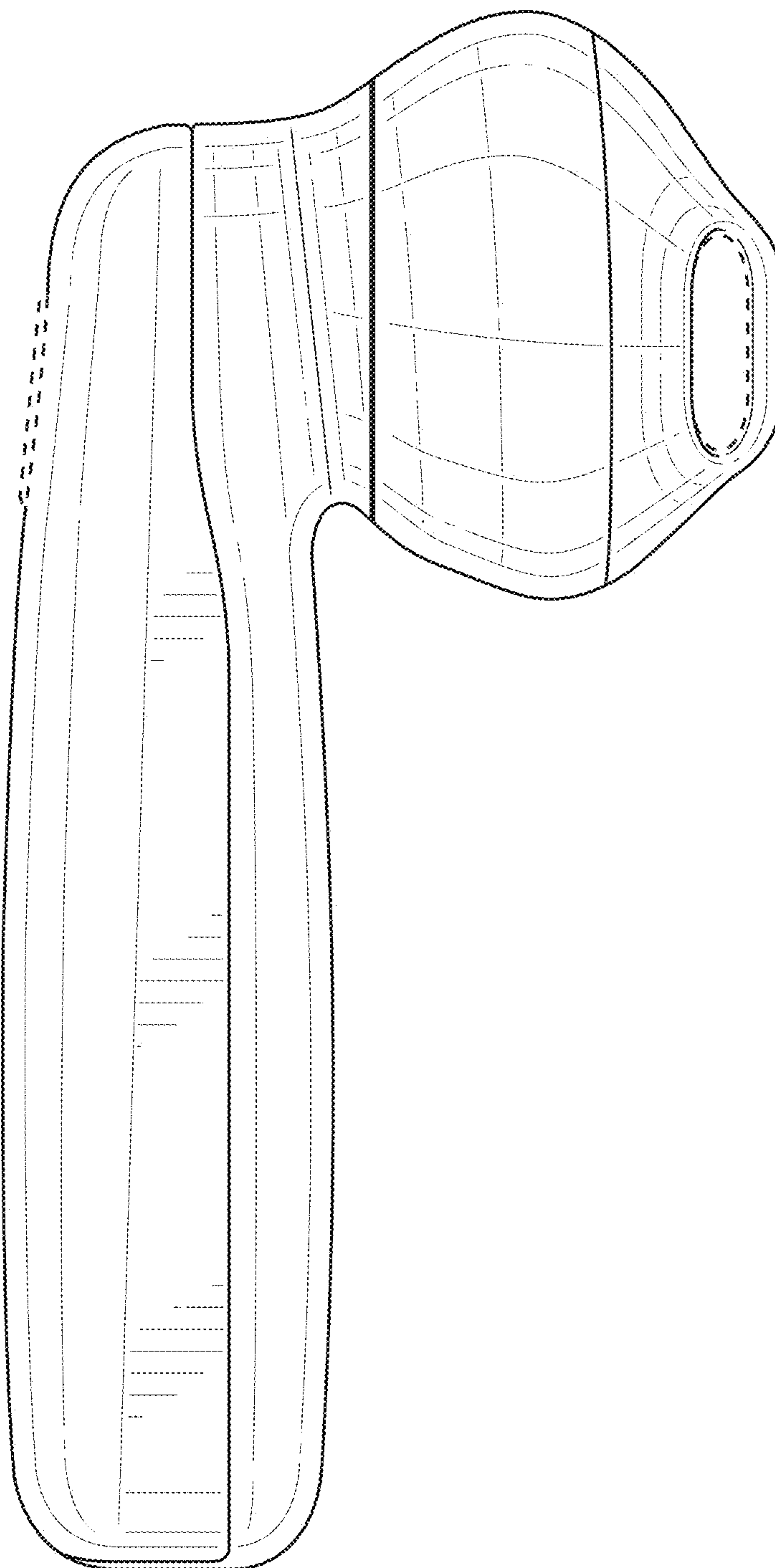
**FIG. 9**



**FIG. 10**

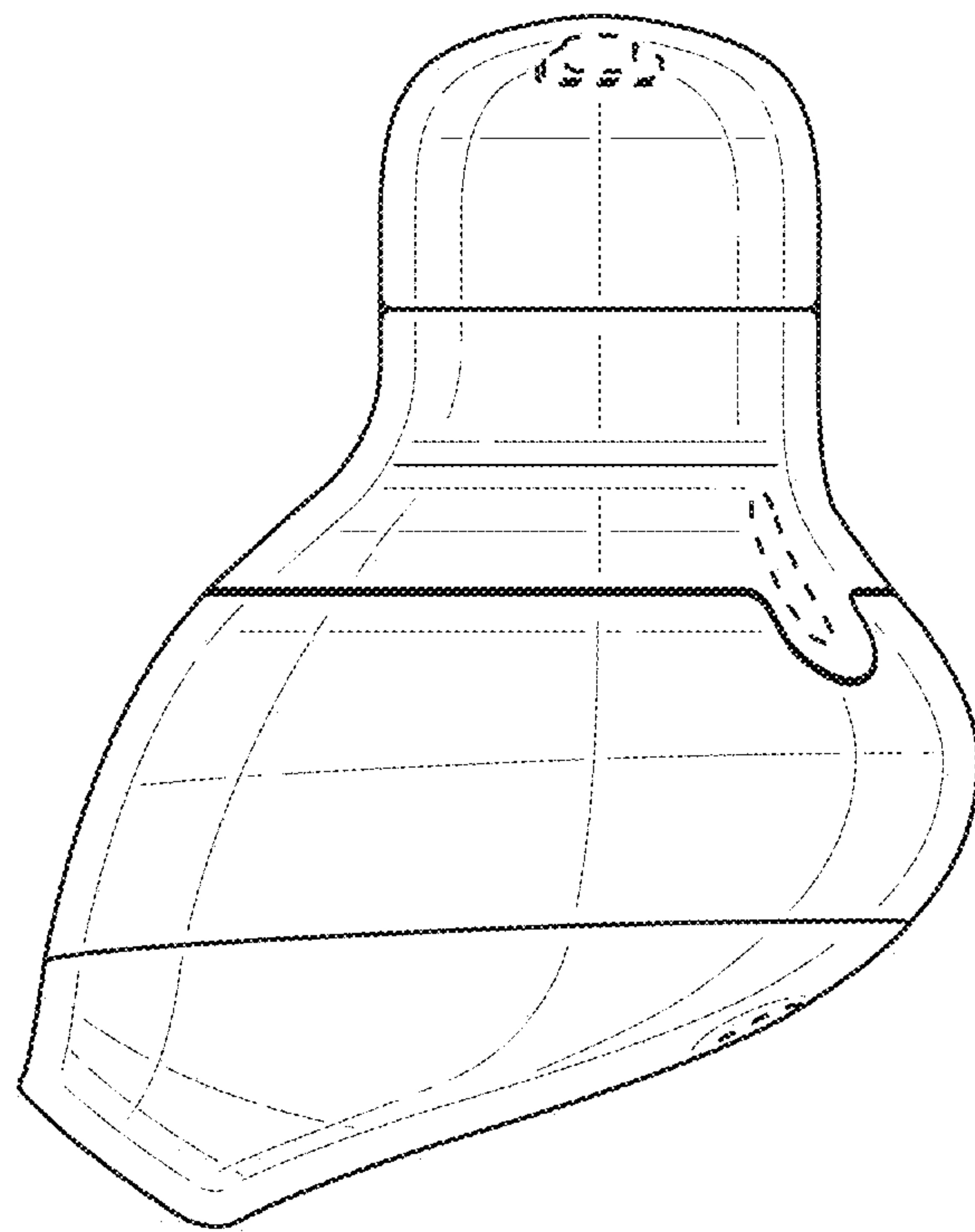


**FIG. 11**

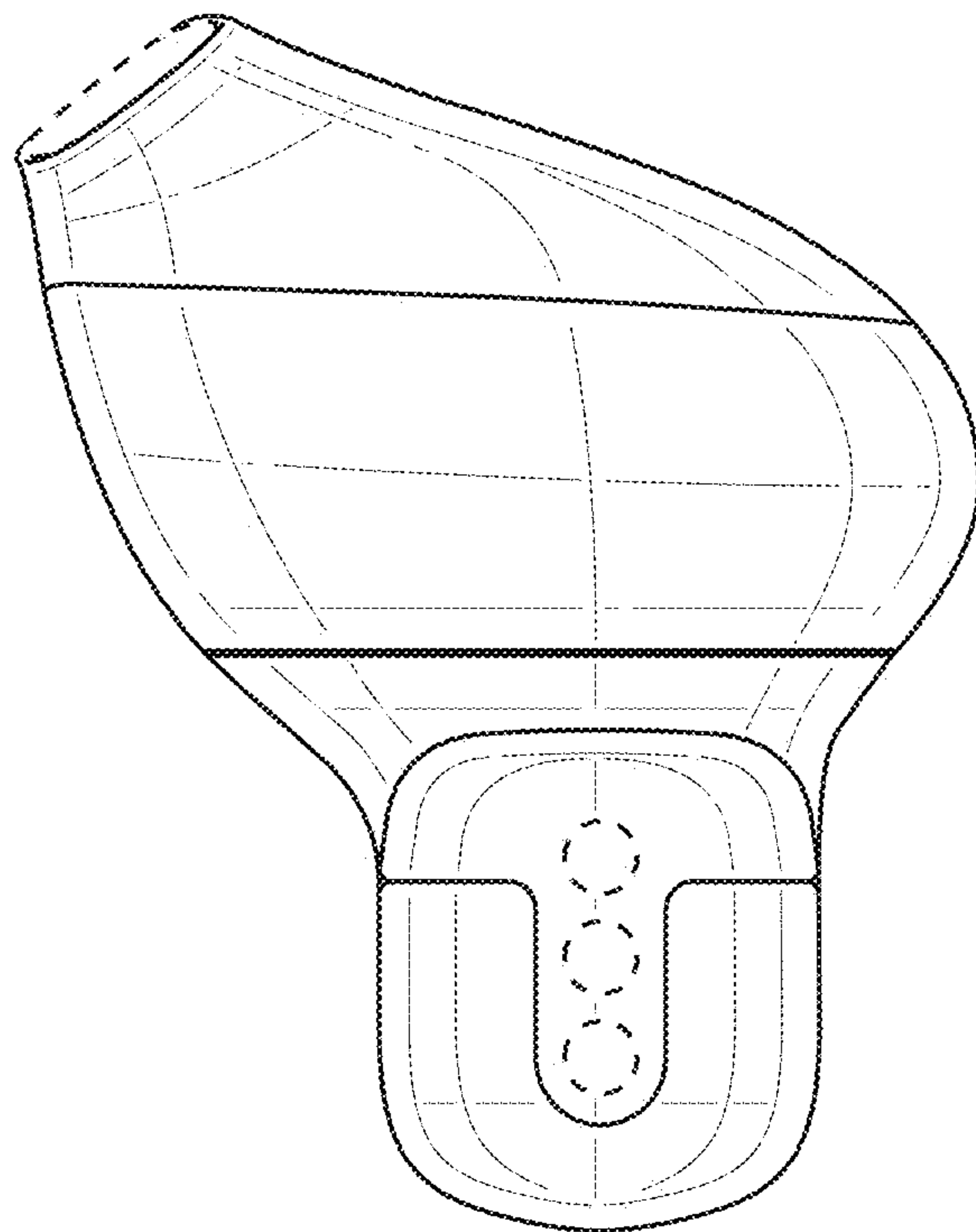


**FIG. 12**





**FIG. 13**



**FIG. 14**