



US00D900064S

(12) **United States Design Patent**  
**Laffon de Mazieres et al.**

(10) **Patent No.:** **US D900,064 S**  
(45) **Date of Patent:** **\*\* Oct. 27, 2020**

(54) **EARBUD**

(71) Applicant: **Amazon Technologies, Inc.**, Seattle, WA (US)

(72) Inventors: **Emmanuel Laffon de Mazieres**, Burlingame, CA (US); **Marc Rene Walliser**, San Francisco, CA (US)

(73) Assignee: **Amazon Technologies, Inc.**, Seattle, WA (US)

(\*\*) Term: **15 Years**

(21) Appl. No.: **29/671,625**

(22) Filed: **Nov. 28, 2018**

(51) **LOC (12) Cl.** ..... **14-01**

(52) **U.S. Cl.**  
USPC ..... **D14/223**

(58) **Field of Classification Search**  
USPC ..... D14/223, 205; D24/174; 128/864, 865, 128/866; 181/129, 130, 135; 379/430, 379/431; 381/380, 381, 374; 455/90.3, 455/575.1, 569.1  
CPC ..... H04R 1/10; H04R 25/00; H04R 1/1066; H04R 1/1016; H04R 5/033; H04R 5/0335  
See application file for complete search history.

(56) **References Cited**

**U.S. PATENT DOCUMENTS**

D236,988 S *	9/1975	Walters	.....	D14/223
D287,764 S *	1/1987	Topholm	.....	D24/174
D287,765 S *	1/1987	Topholm	.....	D24/174
D295,173 S *	4/1988	Oren	.....	D14/168
D321,881 S *	11/1991	Hopewell	.....	D14/192
D348,066 S *	6/1994	Lucey	.....	D14/205
D417,465 S *	12/1999	Kreitz	.....	D14/192
D477,593 S *	7/2003	Komiyama	.....	D14/223
D477,822 S *	7/2003	Komiyama	.....	D14/223
D481,709 S *	11/2003	Solderits	.....	D14/223
D505,411 S *	5/2005	Sakai	.....	D14/192

D519,108 S *	4/2006	Yang	.....	D14/223
D588,111 S *	3/2009	Komiyama	.....	D14/223
D603,380 S *	11/2009	Hutchieson	.....	D14/223
D637,999 S *	5/2011	Brunner	.....	D14/205
D641,010 S *	7/2011	Kwon	.....	D14/223

(Continued)

**FOREIGN PATENT DOCUMENTS**

CN	304651069	*	5/2018
CN	305053654	*	3/2019

(Continued)

**OTHER PUBLICATIONS**

The Indian Office Action dated Jun. 21, 2019 for Indian Patent Application No. 317708-001, a counter part of U.S. Appl. No. 29/671,625, 2 pages.

(Continued)

*Primary Examiner* — Paula Allen Greene

(74) *Attorney, Agent, or Firm* — Lee & Hayes, P.C.

(57) **CLAIM**

The ornamental design for an earbud, as shown and described.

**DESCRIPTION**

FIG. 1 is a top perspective view of an earbud showing our new design; a mirror image earbud is evident from the earbud shown;

FIG. 2 is a front view thereof;

FIG. 3 is a back view thereof;

FIG. 4 is a left-side view thereof;

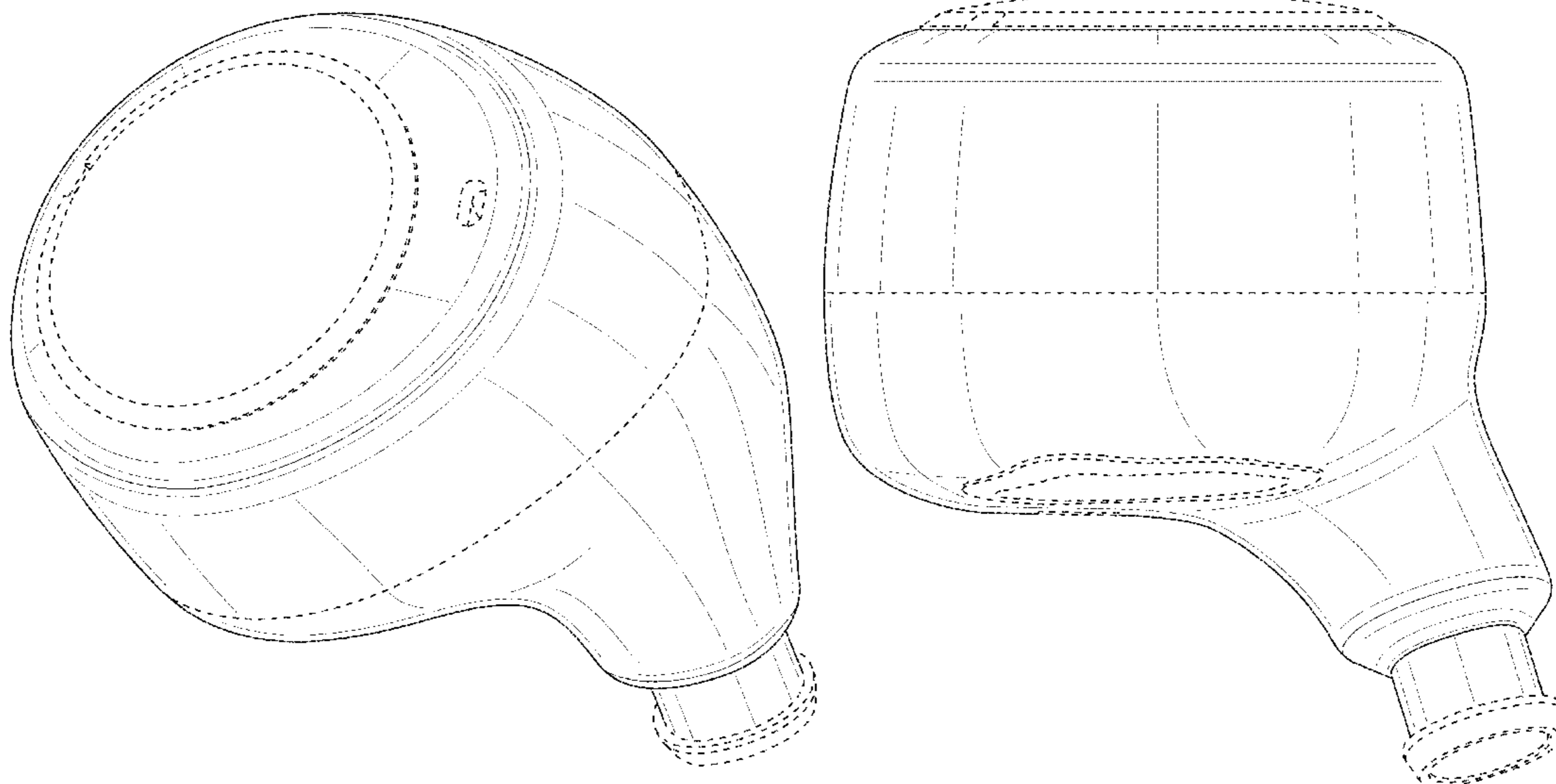
FIG. 5 is a right-side view thereof;

FIG. 6 is a top view thereof; and,

FIG. 7 is a bottom view thereof.

The dashed broken lines depict portions of the earbud that are for illustrative purposes only and form no part of the claimed design.

**1 Claim, 7 Drawing Sheets**



(56)

References Cited

U.S. PATENT DOCUMENTS

D652,817 S \* 1/2012 Lee ..... D14/205  
 D652,822 S \* 1/2012 Lee ..... D14/223  
 D654,056 S \* 2/2012 Hoggarth ..... D14/205  
 D666,581 S \* 9/2012 Perez ..... D14/223  
 8,406,448 B2 \* 3/2013 Lin ..... H04R 1/1091  
 381/332  
 D685,764 S \* 7/2013 Coulter ..... D14/205  
 8,565,466 B2 \* 10/2013 Kuhr ..... H04R 1/1016  
 381/322  
 D699,226 S \* 2/2014 Yoon ..... D14/206  
 D711,356 S \* 8/2014 Yang ..... D14/223  
 D719,550 S \* 12/2014 Yang ..... D14/223  
 D725,082 S \* 3/2015 Palmborg ..... D14/223  
 D726,145 S \* 4/2015 Hsieh ..... D14/205  
 D727,871 S \* 4/2015 Orbach ..... D14/205  
 D728,107 S \* 4/2015 Torres Martin ..... D24/174  
 D733,102 S \* 6/2015 Palmborg ..... D14/223  
 D733,103 S \* 6/2015 Jeong ..... D14/224  
 D735,169 S \* 7/2015 Shieh ..... D14/223  
 D738,863 S \* 9/2015 Laffon de Mazieres .... D14/223  
 D742,861 S \* 11/2015 Miyake ..... D14/223  
 D764,445 S \* 8/2016 Czaniecki ..... D14/223  
 D773,032 S \* 11/2016 Palmborg ..... D24/106  
 D776,092 S \* 1/2017 Laffon de Mazieres .... D14/223  
 D777,710 S \* 1/2017 Palmborg ..... D14/223  
 D778,267 S \* 2/2017 Hsieh ..... D14/223  
 D781,269 S \* 3/2017 Choe ..... D14/223  
 D782,997 S \* 4/2017 Shin ..... D14/205  
 D782,998 S \* 4/2017 Shin ..... D14/205  
 D788,079 S \* 5/2017 Son ..... D14/223  
 D798,843 S \* 10/2017 Valenzuela ..... D14/223  
 D800,097 S \* 10/2017 Chen ..... D14/223  
 D801,951 S \* 11/2017 Bao ..... D14/223  
 D806,879 S \* 1/2018 Horbinski ..... D24/174  
 D812,042 S \* 3/2018 Xiao ..... D14/223  
 D813,206 S \* 3/2018 Tang ..... D14/223  
 D818,900 S \* 5/2018 Waterhouse ..... D12/169  
 D824,371 S \* 7/2018 Loermann ..... D14/223  
 D841,627 S \* 2/2019 Wen ..... D14/223  
 10,234,133 B2 \* 3/2019 Hirsch ..... F21V 33/0056  
 D845,932 S \* 4/2019 Lu ..... D14/223  
 D847,126 S \* 4/2019 Loermann ..... D14/223

D852,782 S \* 7/2019 Bergman ..... D14/223  
 D858,489 S \* 9/2019 Hu ..... D14/223  
 D863,260 S \* 10/2019 Zheng ..... D14/223  
 D864,167 S \* 10/2019 Wu ..... D14/223  
 D868,752 S \* 12/2019 Zhu ..... D14/223  
 D870,707 S \* 12/2019 Yang ..... D14/223  
 D871,376 S \* 12/2019 Zhou ..... D14/223  
 D873,248 S \* 1/2020 Weicheng ..... D14/223  
 D875,714 S \* 2/2020 Kim ..... D14/205  
 D879,074 S \* 3/2020 Komiya ..... D14/223  
 D880,457 S \* 4/2020 Zhu ..... D14/223  
 D883,257 S \* 5/2020 Duddy ..... D14/223  
 D883,261 S \* 5/2020 Zhang ..... D14/223  
 D883,958 S \* 5/2020 Liu ..... D14/223  
 D884,681 S \* 5/2020 Zhang ..... D14/223  
 D885,372 S \* 5/2020 Wang ..... D14/223  
 D887,395 S \* 6/2020 Wang ..... D14/223  
 2007/0263896 A1 \* 11/2007 Chen ..... H04R 1/105  
 381/381  
 2011/0293130 A1 \* 12/2011 Huang ..... H04R 1/1016  
 381/380  
 2012/0114160 A1 \* 5/2012 Lin ..... H04R 1/1091  
 381/380

FOREIGN PATENT DOCUMENTS

CN 305485217 \* 12/2019  
 CN 305595436 \* 2/2020  
 EM 004170959-0001 \* 8/2017  
 EM 004360519-0001 \* 9/2017  
 EM 001474134 \* 9/2019  
 EM 006810230 \* 9/2019  
 EM 004556629-0001 \* 12/2019  
 EM 007341722-0002 \* 12/2019

OTHER PUBLICATIONS

The Chinese Office Action dated Oct. 9, 2019 for Chinese Design Application No. 201930257281.2, a counter part of Design U.S. Appl. No. 29/671,625, 1 pages.  
 The Canadian Office Action dated Apr. 20, 2020 for Canadian Patent Application No. 187447, a counterpart of U.S. Appl. No. 29/671,625, 3 pages.

\* cited by examiner

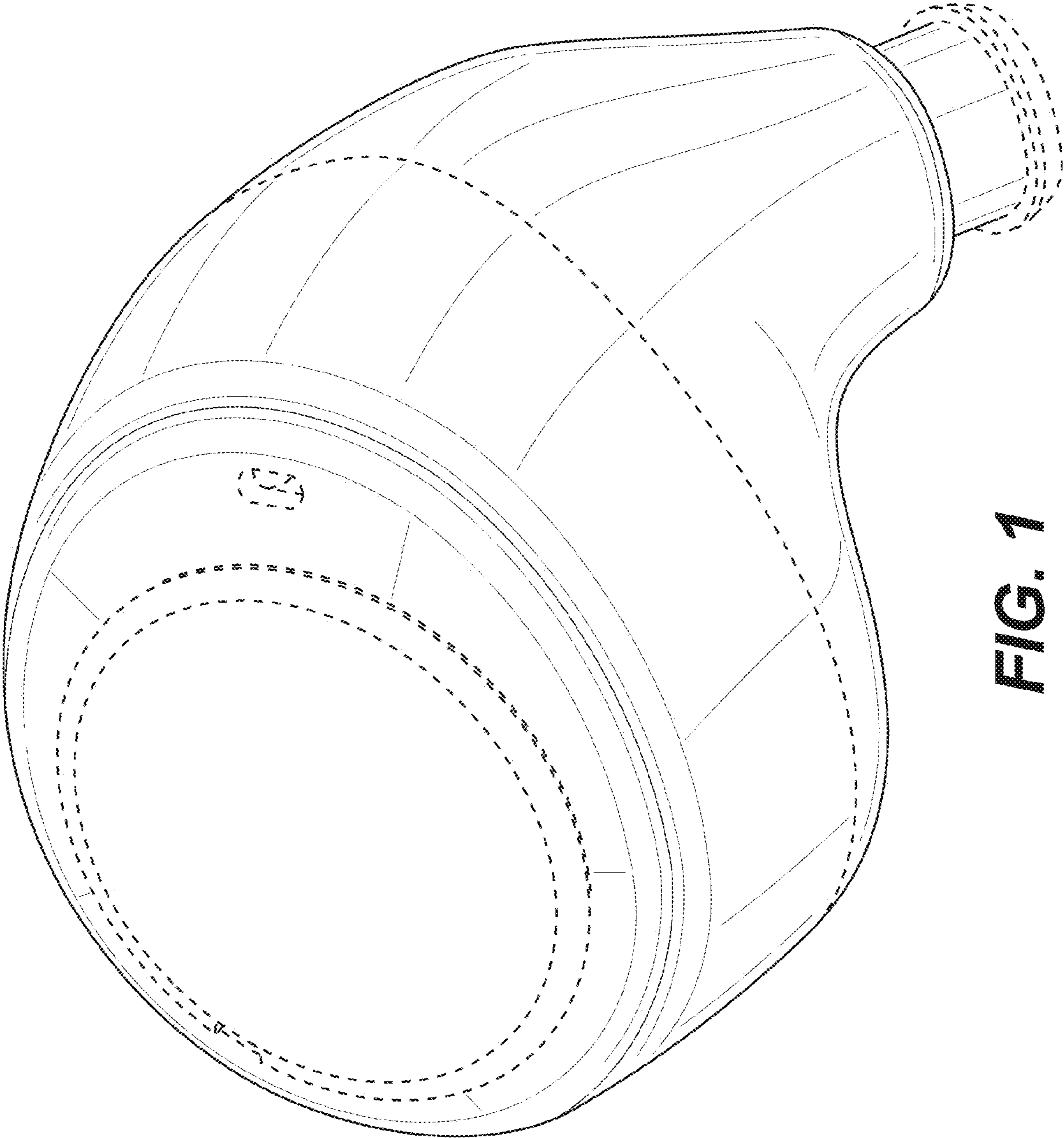
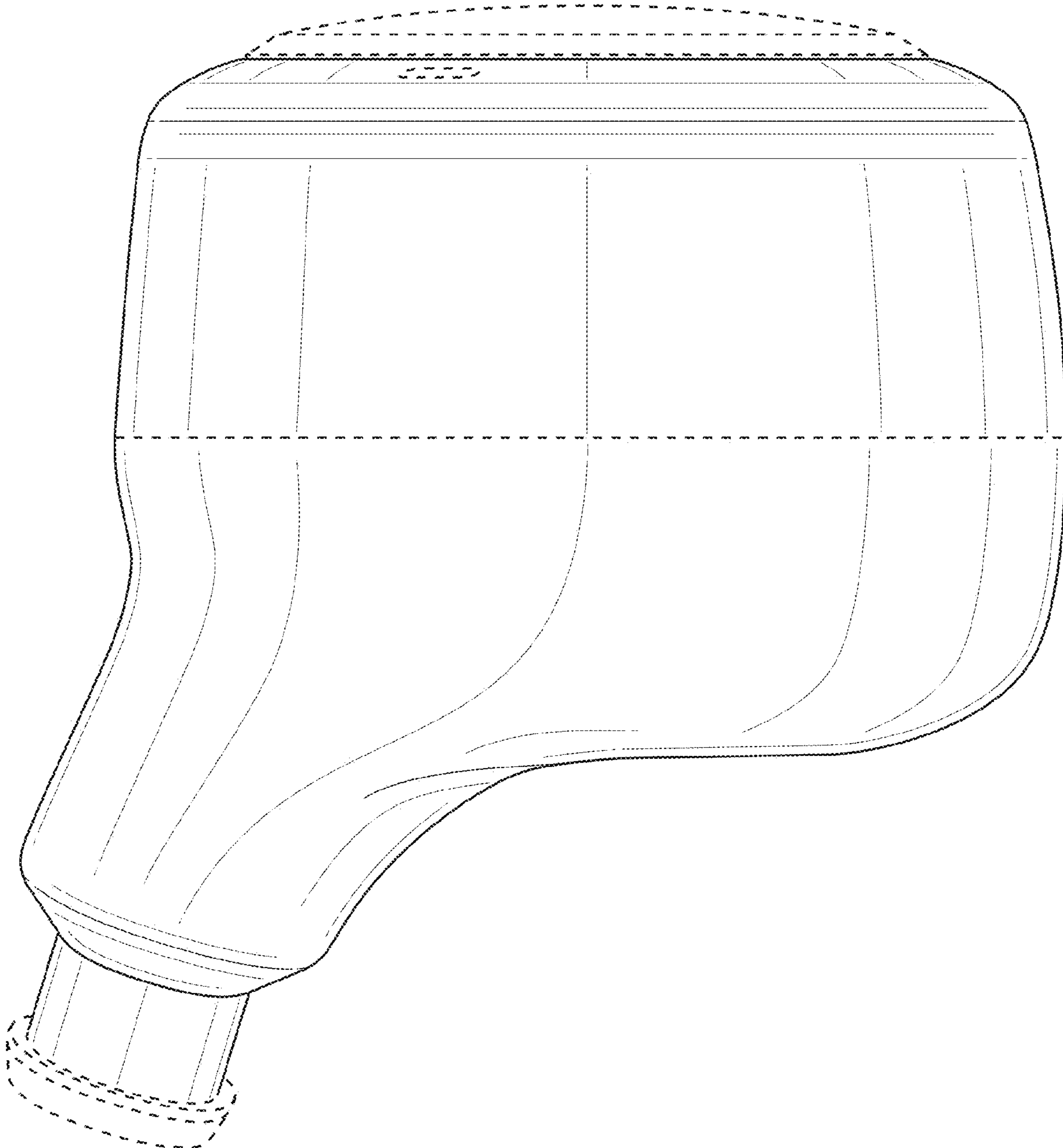
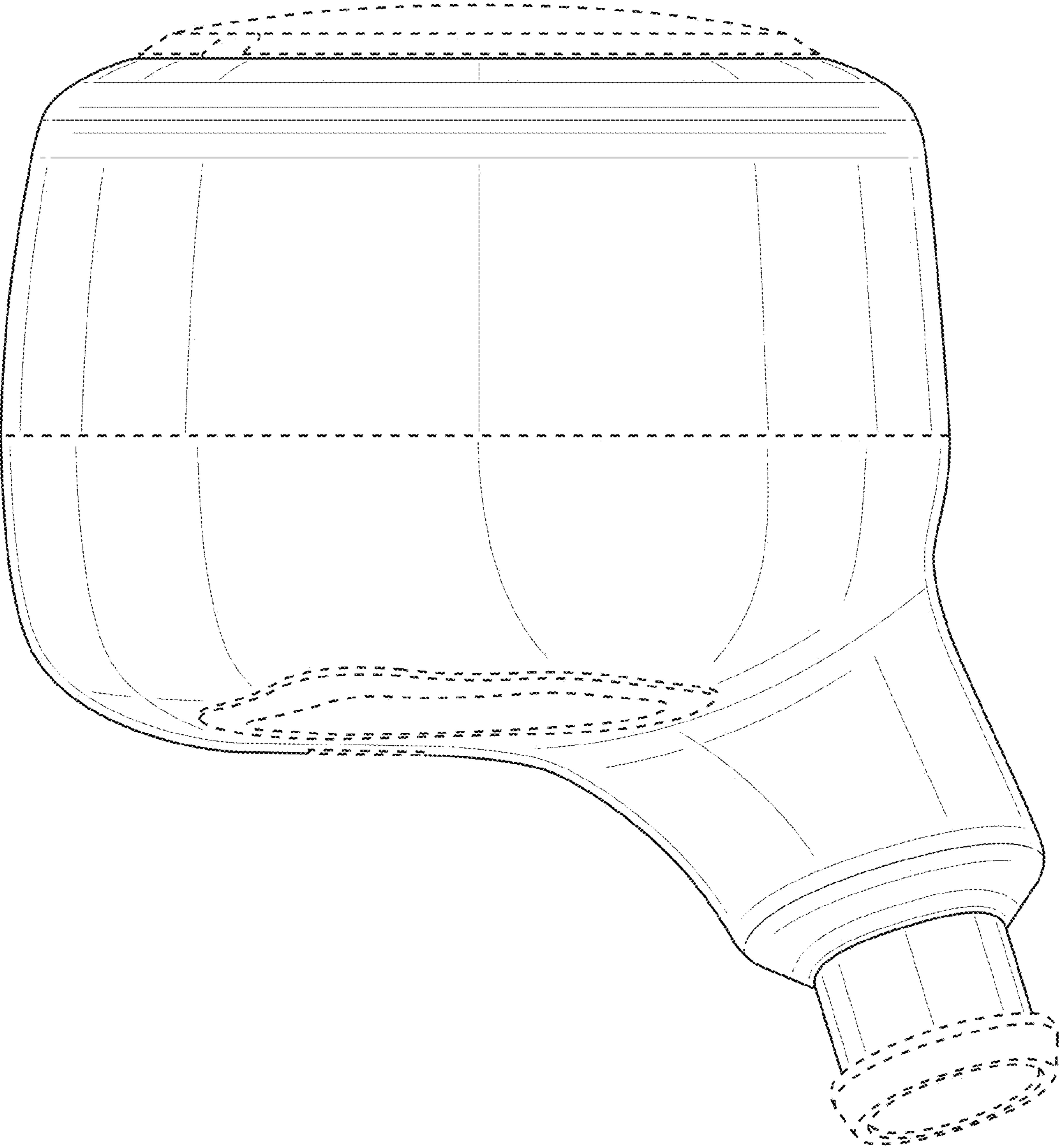


FIG. 1

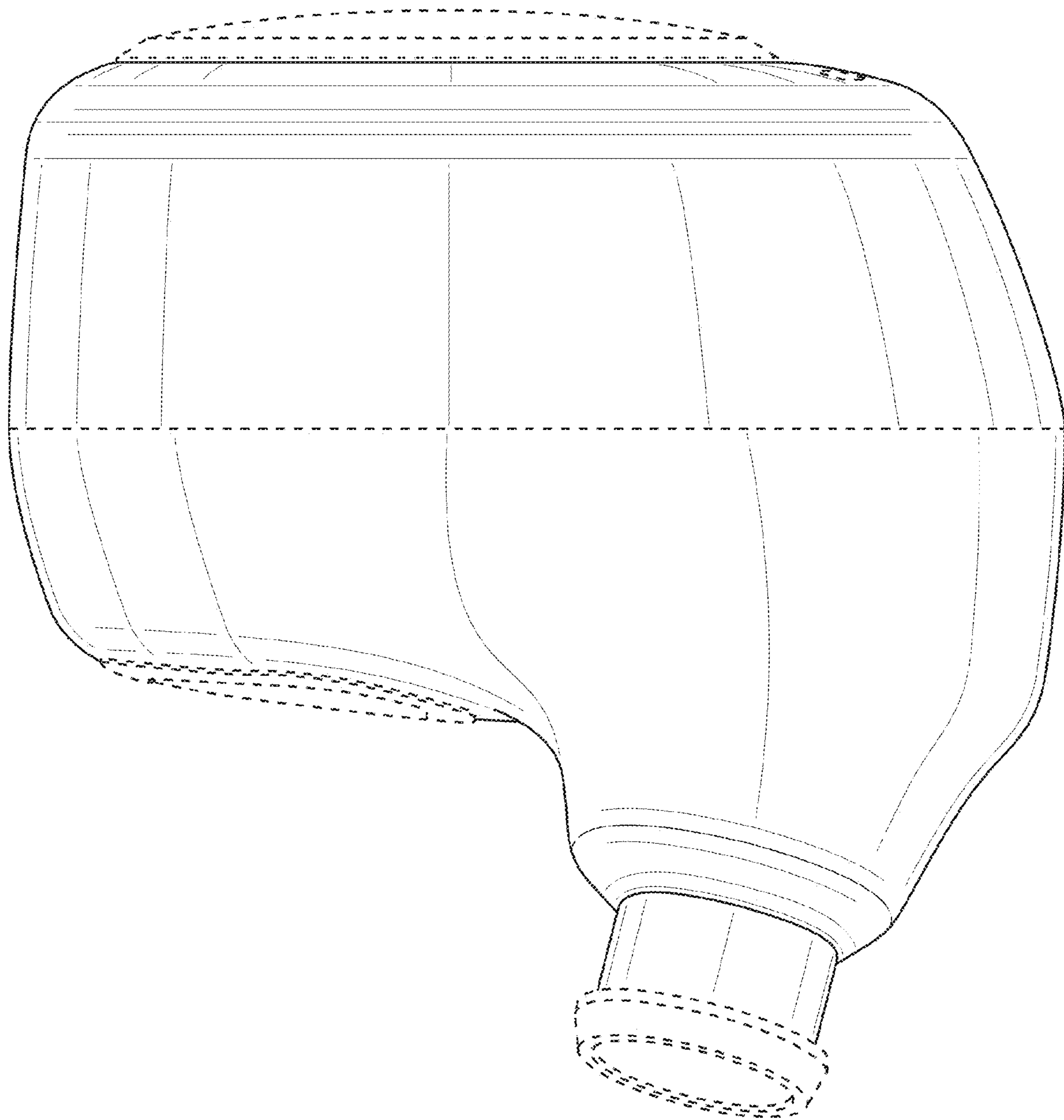




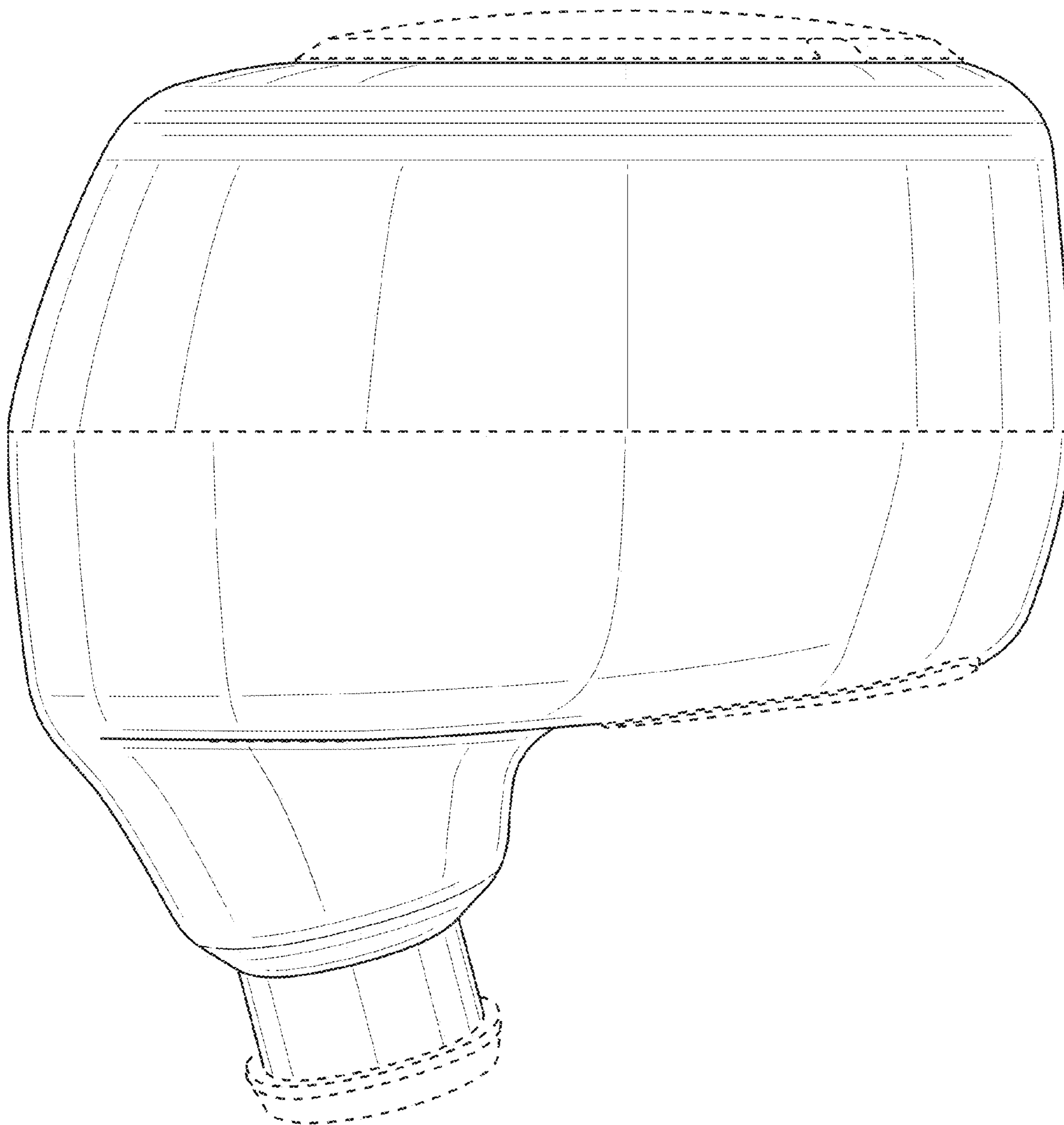
**FIG. 2**



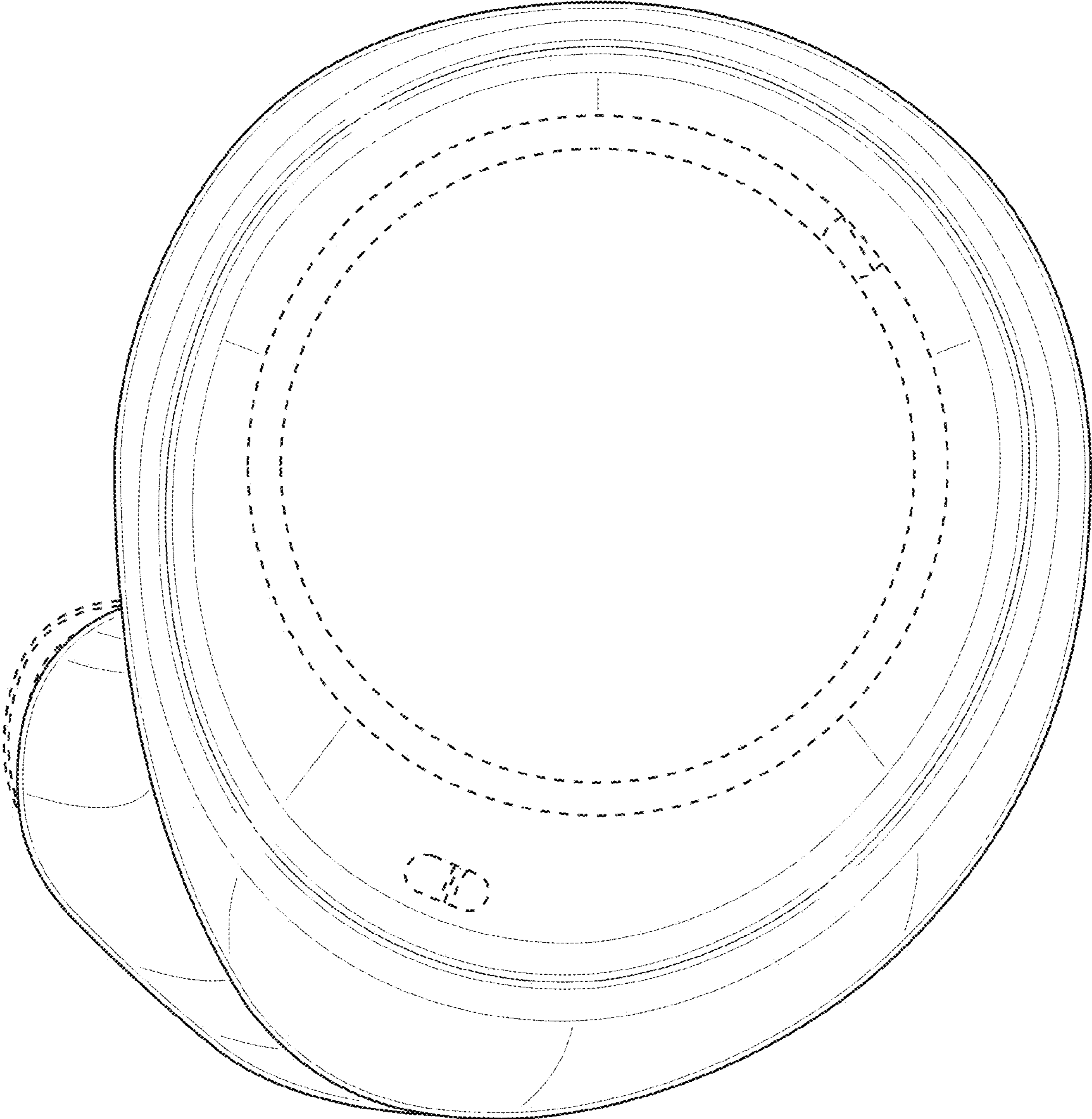
**FIG. 3**



**FIG. 4**

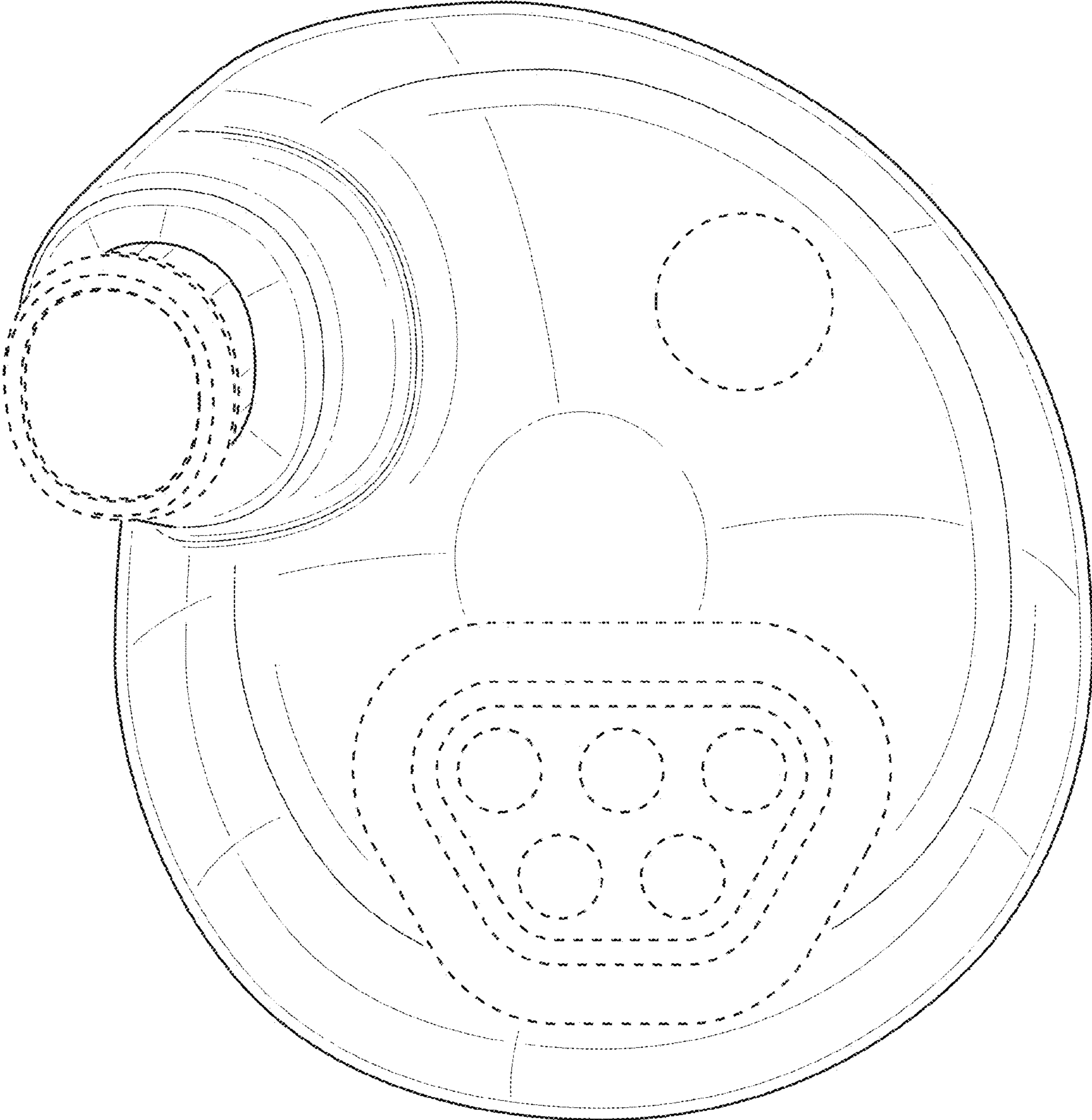


**FIG. 5**



**FIG. 6**





**FIG. 7**