

US00D900060S

(12) **United States Design Patent**  
**Oota**

(10) **Patent No.:** **US D900,060 S**  
(45) **Date of Patent:** **\*\* Oct. 27, 2020**

(54) **SPEAKER BOX**

(71) Applicant: **SONY CORPORATION**, Tokyo (JP)

(72) Inventor: **Kiyoshi Oota**, Tokyo (JP)

(73) Assignee: **SONY CORPORATION**, Tokyo (JP)

(\*\*) Term: **15 Years**

(21) Appl. No.: **29/684,039**

(22) Filed: **Mar. 18, 2019**

(30) **Foreign Application Priority Data**

Dec. 21, 2018 (JP) ..... D2018-028098

(51) **LOC (12) Cl.** ..... **14-03**

(52) **U.S. Cl.**  
USPC ..... **D14/214**

(58) **Field of Classification Search**  
USPC .... D14/214, 204, 209.1, 210, 172; 181/144,  
181/147; 381/345, 361-364; 455/90.3,  
455/575.1, 569.1  
CPC ..... H04R 1/02; H04R 1/021; H04R 1/023;  
H04R 5/00; H04R 9/06  
See application file for complete search history.

(56) **References Cited**

**U.S. PATENT DOCUMENTS**

- 3,207,257 A \* 9/1965 Wilson ..... H04R 1/026  
181/147
- 4,258,960 A \* 3/1981 Harris ..... F16C 3/026  
156/154
- 5,203,129 A \* 4/1993 Johnson ..... E06B 9/24  
52/202
- D355,193 S \* 2/1995 Irby ..... D14/210
- D471,891 S 3/2003 Oikawa
- D475,991 S 6/2003 Hisatsune
- D478,891 S \* 8/2003 Hisatsune ..... D14/211
- D503,396 S 3/2005 Hisatsune

- D511,339 S \* 11/2005 Tsuge ..... D14/214
- D538,259 S \* 3/2007 Okamura ..... D14/172
- D543,535 S \* 5/2007 Hasegawa ..... D14/214
- D545,811 S \* 7/2007 Yamamoto ..... D14/211
- D547,748 S \* 7/2007 Tsuge ..... D14/211
- D558,736 S \* 1/2008 Kita ..... D14/126
- D659,677 S \* 5/2012 Kim ..... D14/214
- D660,284 S \* 5/2012 Carbone ..... D14/214
- D661,280 S 6/2012 Asaka et al.
- D669,883 S \* 10/2012 Cheng ..... D14/214
- D672,747 S \* 12/2012 Khoo ..... D14/214
- D676,829 S \* 2/2013 Kaneko ..... D14/204
- D681,009 S \* 4/2013 Meng ..... D14/214
- D688,231 S \* 8/2013 Nishii ..... D14/214
- D704,679 S 5/2014 Asaka et al.
- D719,931 S \* 12/2014 Wang ..... D14/204
- D721,352 S \* 1/2015 Kusano ..... D14/204
- D743,940 S \* 11/2015 Yang ..... D14/214
- D754,100 S \* 4/2016 McManigal ..... D14/214
- D754,629 S \* 4/2016 Kim ..... D14/204
- D756,968 S \* 5/2016 Huang ..... D14/214

(Continued)

*Primary Examiner* — Paula Allen Greene

(74) *Attorney, Agent, or Firm* — Michael Best and Friedrich LLP

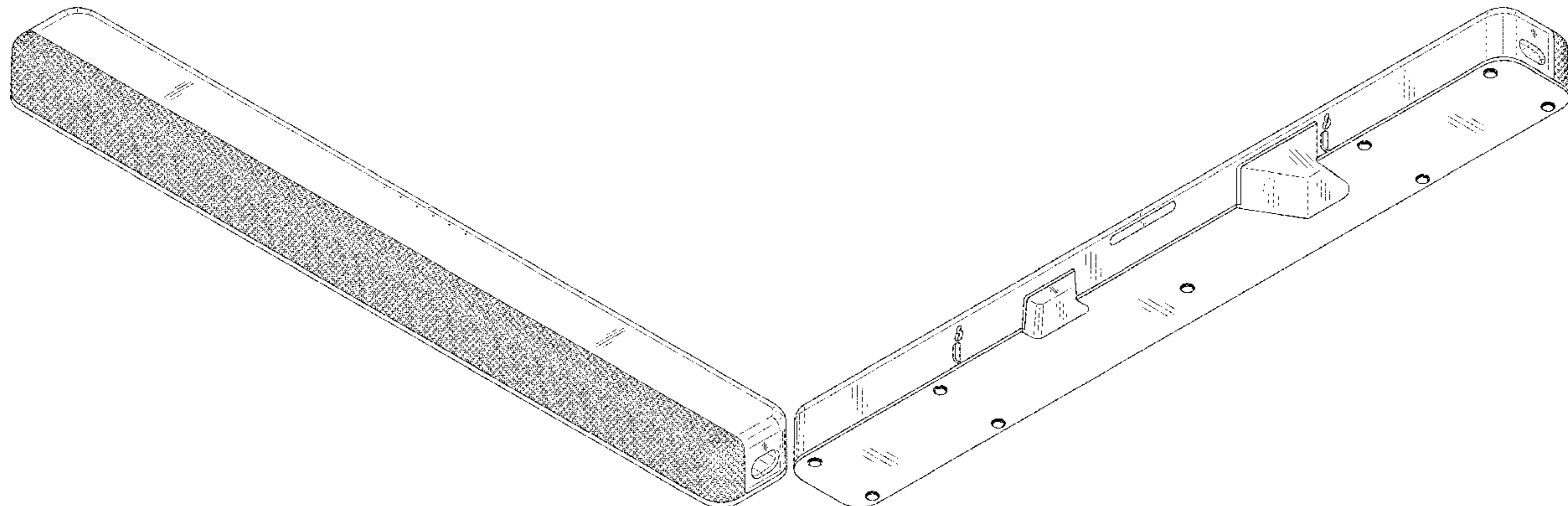
(57) **CLAIM**

The ornamental design for a speaker box, as shown and described.

**DESCRIPTION**

FIG. 1 is a front, top, right perspective view of a first embodiment of a speaker box showing my new design; FIG. 2 is a front, bottom, left perspective view thereof; FIG. 3 is a front elevational view thereof; FIG. 4 is a rear elevational view thereof; FIG. 5 is a left side elevational view thereof; FIG. 6 is a right side elevational view thereof; and FIG. 7 is a top plan view thereof; and, FIG. 8 is a bottom plan view thereof.

**1 Claim, 7 Drawing Sheets**



(56)

**References Cited**

U.S. PATENT DOCUMENTS

D759,624	S	*	6/2016	Byrd	.....	D14/204
D760,685	S	*	7/2016	Sugiura	.....	D14/204
D763,238	S	*	8/2016	Kim	.....	D14/126
D764,440	S	*	8/2016	Xin	.....	D14/214
D765,054	S	*	8/2016	Bast	.....	D14/204
D768,603	S	*	10/2016	Kim	.....	D14/214
D791,736	S	*	7/2017	Schoolmeester	.....	D14/214
D826,207	S	*	8/2018	Kim	.....	D14/204
D826,891	S	*	8/2018	Kim	.....	D14/204
D826,892	S	*	8/2018	Kim	.....	D14/204
D836,082	S	*	12/2018	McManigal	.....	D14/204
D836,577	S	*	12/2018	Kim	.....	D14/125
D852,774	S	*	7/2019	Sugiura	.....	D14/204
D856,301	S	*	8/2019	Lum	.....	D14/204
D883,244	S	*	5/2020	Kim	.....	D14/129
D883,953	S	*	5/2020	Chong	.....	D14/214
D886,076	S	*	6/2020	Zhao	.....	D14/204
D886,799	S	*	6/2020	Yang	.....	D14/214
2012/0300962	A1	*	11/2012	Devoto	.....	H04R 5/02 381/300

\* cited by examiner

Fig. 1

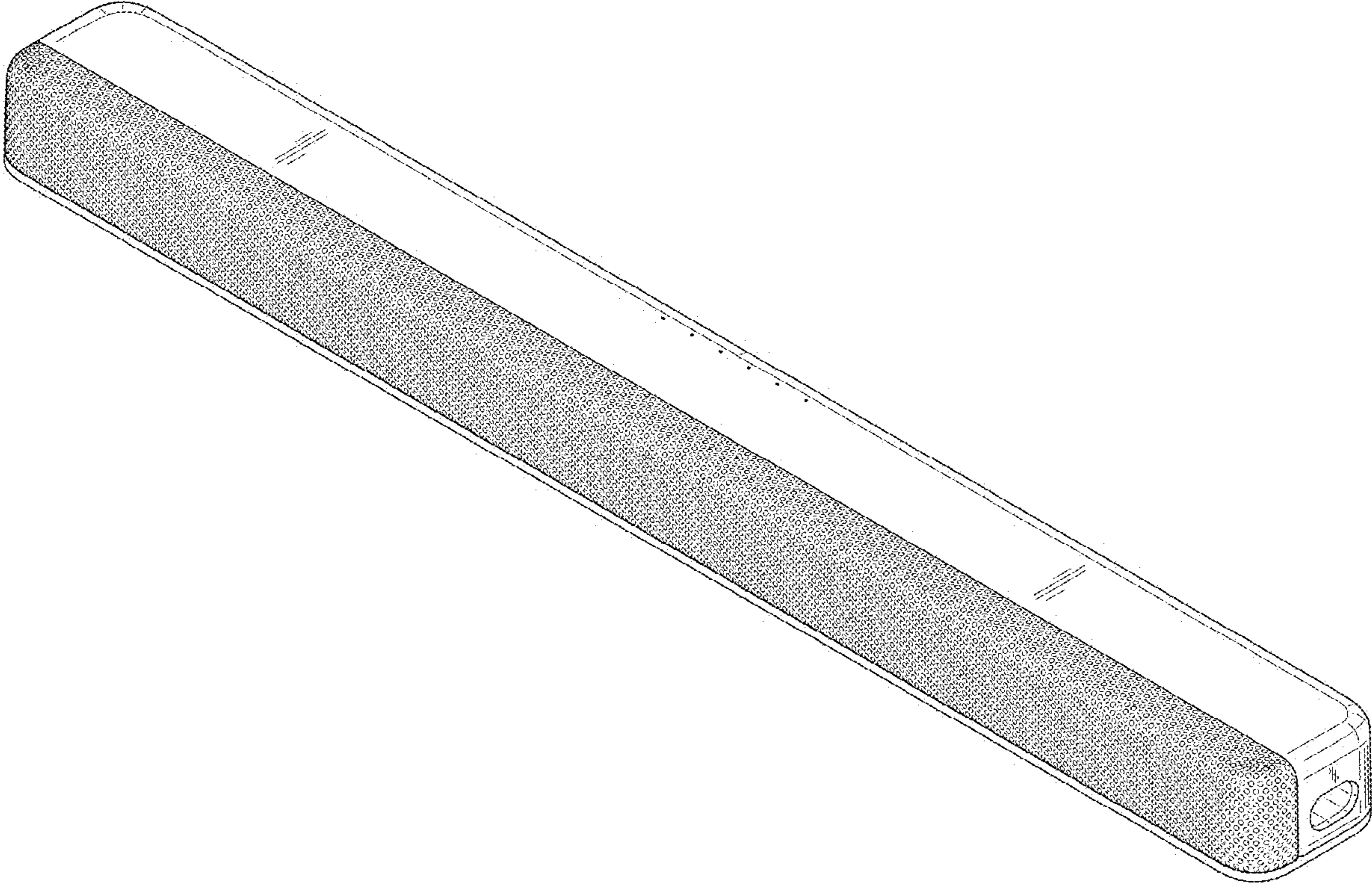


Fig.2

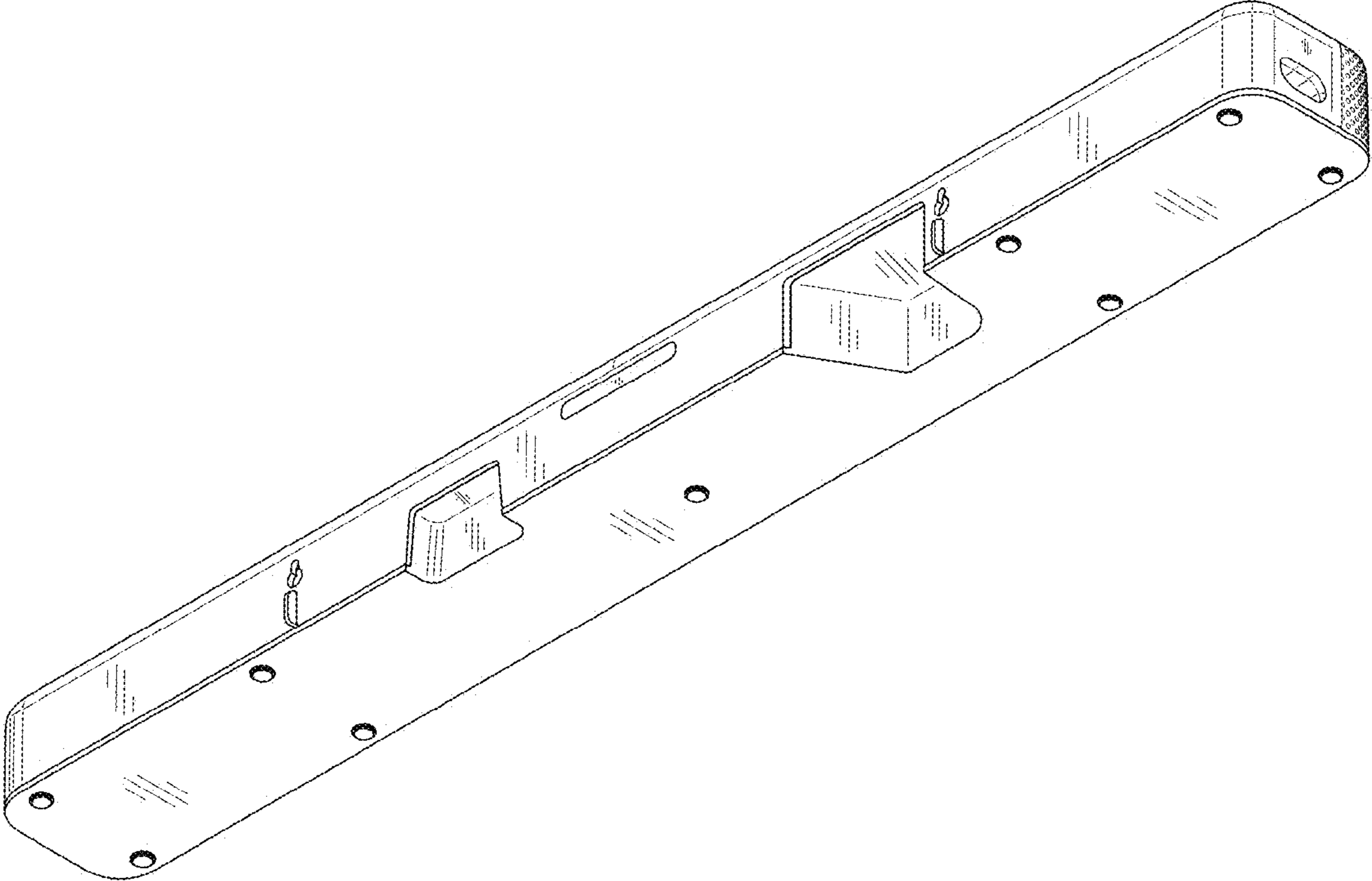


Fig.3

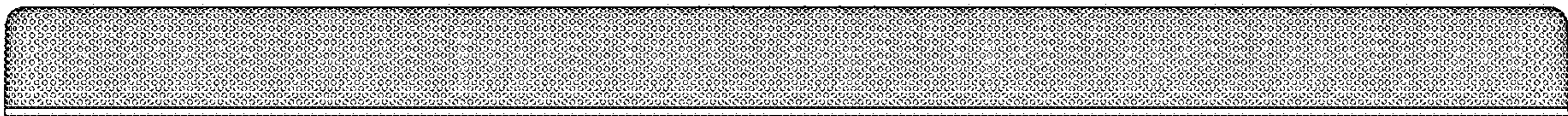


Fig.4

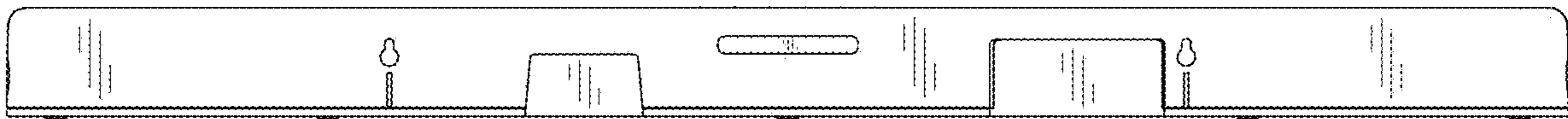


Fig. 5

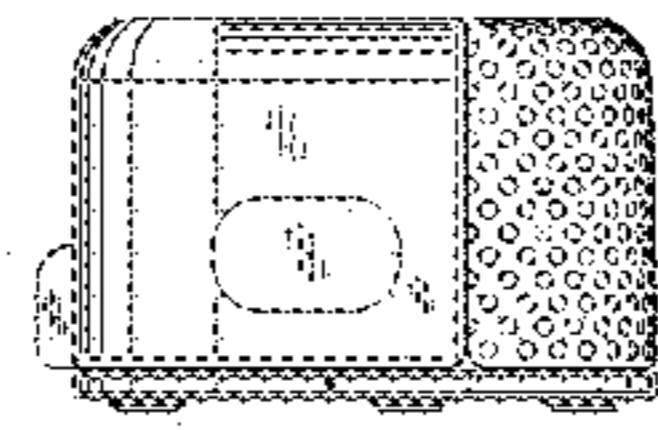


Fig. 6

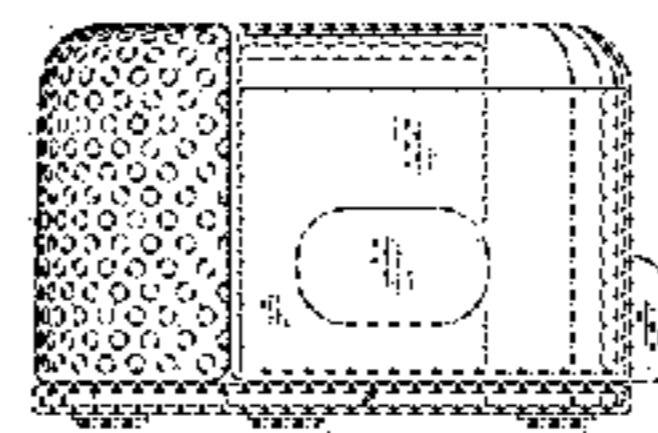


Fig.7

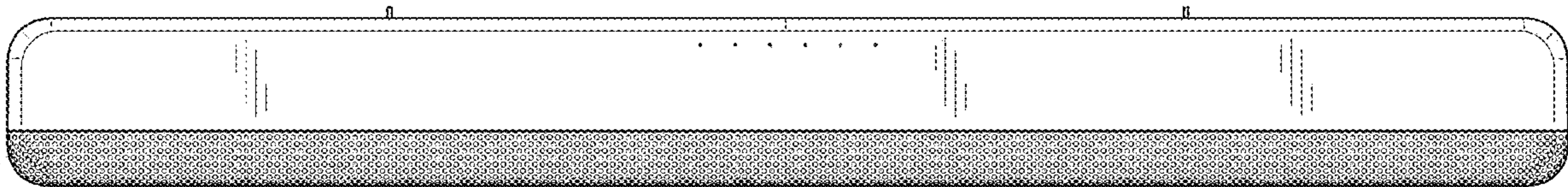




Fig.8

