

US00D900059S

(12) **United States Design Patent**  
**Komiyama**

(10) **Patent No.:** **US D900,059 S**  
(45) **Date of Patent:** **\*\* Oct. 27, 2020**

(54) **AUDIO SYSTEM**

(71) Applicant: **SONY CORPORATION**, Tokyo (JP)

(72) Inventor: **Jun Komiyama**, Kanagawa (JP)

(73) Assignee: **SONY CORPORATION**, Tokyo (JP)

(\*\*) Term: **15 Years**

(21) Appl. No.: **29/683,473**

(22) Filed: **Mar. 13, 2019**

(30) **Foreign Application Priority Data**

Dec. 27, 2018 (CN) ..... 2018 3 0761108

(51) **LOC (12) Cl.** ..... **14-01**

(52) **U.S. Cl.**  
USPC ..... **D14/209.1**

(58) **Field of Classification Search**

USPC ... D14/209.1, 221, 204, 499, 188, 129, 167,  
D14/168, 172, 175, 171, 163; D6/700,  
D6/407, 633, 634; D23/335; 312/7.2;  
381/380, 381, 58, 124; 455/90.3, 575.1,  
455/569.1

CPC . H04R 1/02; H04R 25/00; H04R 1/06; H04R  
5/02; H04R 7/20; H04R 9/06; A47B 5/00;  
B65D 5/14

See application file for complete search history.

(56) **References Cited**

**U.S. PATENT DOCUMENTS**

D239,012 S \* 3/1976 Ross ..... D14/195  
D251,973 S \* 5/1979 Klopfer ..... D14/214  
D266,759 S \* 11/1982 Jabara ..... D14/214  
D269,872 S \* 7/1983 Ishizaki ..... D14/214  
D276,227 S \* 11/1984 Nakamura ..... D14/214  
4,493,389 A \* 1/1985 Del Rosario ..... H04R 1/30  
181/141  
4,539,668 A \* 9/1985 Izumi ..... G11B 17/04  
720/612

(Continued)

**FOREIGN PATENT DOCUMENTS**

CN 304055948 S 2/2017  
CN 304056123 S 2/2017

(Continued)

**OTHER PUBLICATIONS**

Ryan Grepper, "Coolest Cooler: 21<sup>ST</sup> Century Cooler that's Actually Cooler", Website <https://www.kickstarter.com/projects/ryangrepper/coolest-cooler-21st-century-cooler-thats-actually>, Dec. 2014, Kickstarter.com, PBC.

*Primary Examiner* — Paula Allen Greene

(74) *Attorney, Agent, or Firm* — Michael Best and Friedrich LLP

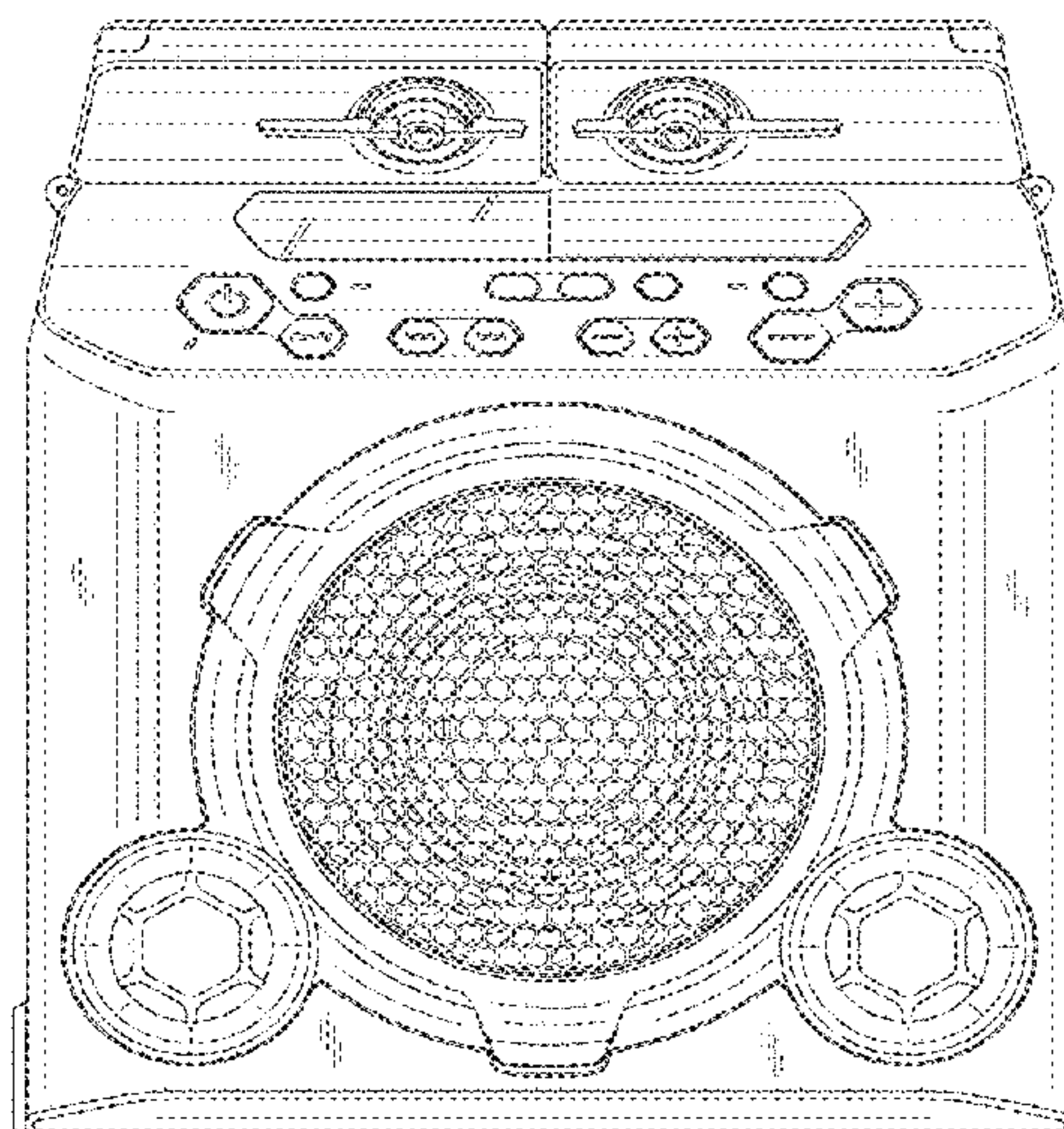
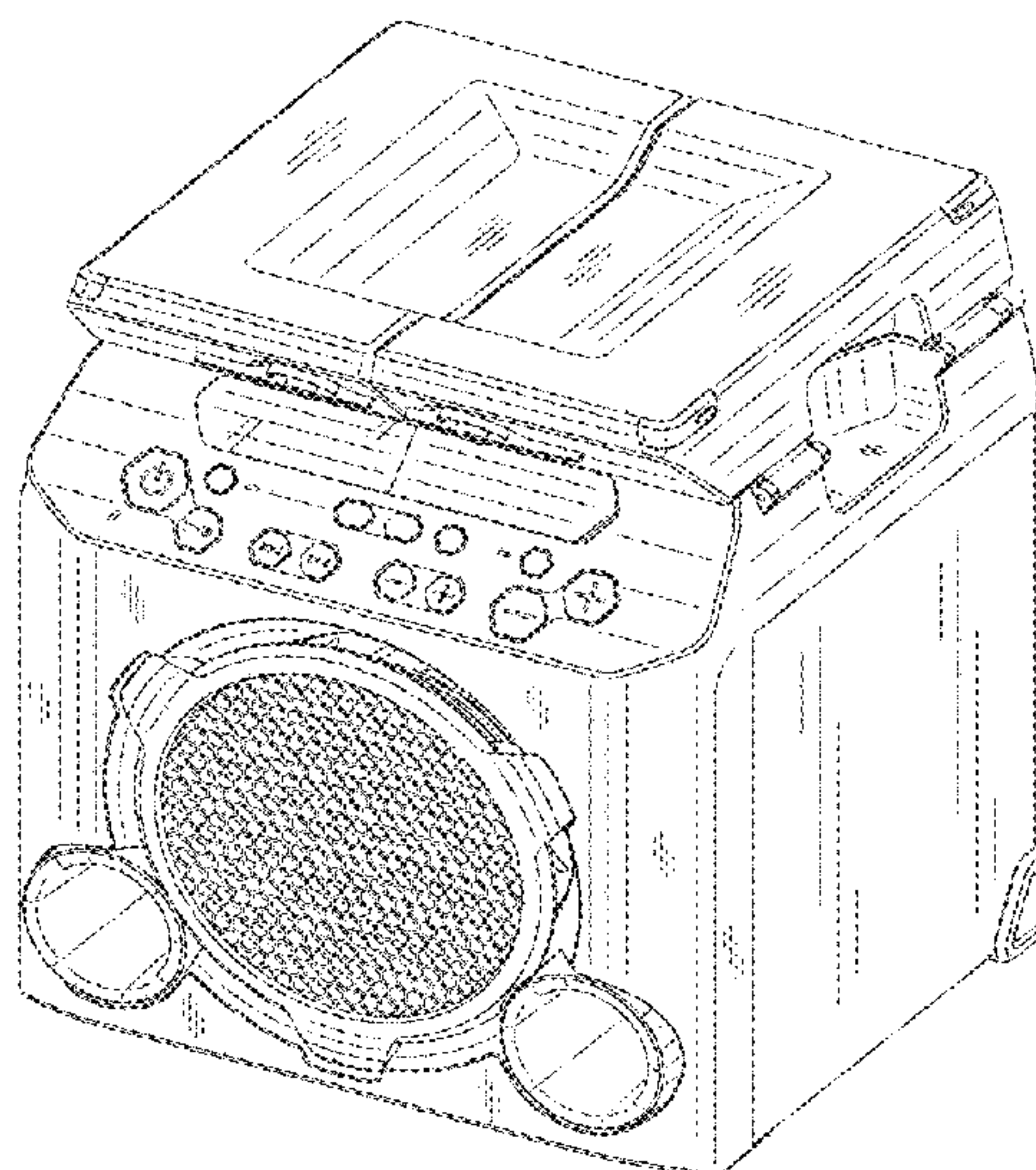
(57) **CLAIM**

The ornamental design for an audio system, as shown and described.

**DESCRIPTION**

FIG. 1 is a perspective view of an audio system showing my new design;  
FIG. 2 is a front elevational view thereof;  
FIG. 3 is a rear elevational view thereof;  
FIG. 4 is a left side elevational view thereof;  
FIG. 5 is a right side elevational view thereof;  
FIG. 6 is a top plan view thereof; and  
FIG. 7 is a bottom plan view thereof.  
FIG. 8 is a perspective view of the audio system showing my new design, wherein the top covers are in an open position;  
FIG. 9 is a front elevational view thereof;  
FIG. 10 is a rear elevational view thereof;  
FIG. 11 is a left side elevational view thereof;  
FIG. 12 is a right side elevational view thereof;  
FIG. 13 is a top plan view thereof; and,  
FIG. 14 is a bottom plan view thereof.

**1 Claim, 14 Drawing Sheets**



(56)

References Cited

U.S. PATENT DOCUMENTS

4,611,686 A \* 9/1986 Kobayashi ..... H04R 1/2826  
 181/156  
 D294,494 S \* 3/1988 Kountz ..... D14/214  
 D295,857 S \* 5/1988 Nagashima ..... D14/210  
 D305,333 S \* 1/1990 Irby ..... D14/214  
 5,000,286 A \* 3/1991 Crawford ..... H04R 1/02  
 181/145  
 5,107,402 A \* 4/1992 Malgouires ..... F16C 11/103  
 16/307  
 5,267,123 A \* 11/1993 Boothroyd ..... G06F 1/1616  
 16/361  
 5,494,447 A \* 2/1996 Zaidan ..... G06F 1/1618  
 16/361  
 D398,928 S \* 9/1998 Dijkstra ..... D14/168  
 5,941,615 A \* 8/1999 Ito ..... A47B 5/00  
 312/223.2  
 D421,007 S \* 2/2000 Nagai ..... D14/167  
 D439,227 S \* 3/2001 Okada ..... D14/129  
 D455,415 S \* 4/2002 Suzuki ..... D14/168  
 D480,062 S \* 9/2003 Kulkarni ..... D14/168  
 D505,410 S \* 5/2005 Sugiyama ..... D14/168  
 D512,045 S \* 11/2005 Motoishi ..... D14/168  
 D516,539 S \* 3/2006 Masui ..... D14/168  
 D516,544 S \* 3/2006 Motoishi ..... D14/214  
 D523,419 S \* 6/2006 Joseph ..... D14/214  
 D542,275 S 5/2007 Hibino  
 D542,276 S 5/2007 Hibino  
 D568,872 S \* 5/2008 Gonzalez ..... D14/214  
 D598,897 S \* 8/2009 Arneson ..... D14/214  
 D618,214 S \* 6/2010 Wang ..... D14/209.1  
 D620,922 S \* 8/2010 Skurdal ..... D14/209.1  
 D657,774 S \* 4/2012 Chung ..... D14/168  
 8,180,095 B2 \* 5/2012 Zhang ..... H04R 1/025  
 381/334

D687,814 S \* 8/2013 Lum ..... D14/214  
 D691,983 S \* 10/2013 Vaughan ..... D14/172  
 D695,269 S \* 12/2013 Carpenter ..... D14/209.1  
 D695,270 S \* 12/2013 Lam ..... D14/211  
 D705,191 S \* 5/2014 Boudreau ..... D14/214  
 D723,506 S \* 3/2015 Aglassinger ..... D14/188  
 D723,517 S \* 3/2015 Moon ..... D14/215  
 D729,202 S \* 5/2015 Shin ..... D14/215  
 D729,770 S \* 5/2015 Yoo ..... D14/214  
 D736,742 S \* 8/2015 Warden ..... D14/214  
 D737,241 S \* 8/2015 Duran ..... D14/188  
 D739,381 S \* 9/2015 Workman ..... D14/215  
 D741,795 S \* 10/2015 Conrad ..... D13/108  
 D754,097 S \* 4/2016 Pineau ..... D14/204  
 D754,098 S \* 4/2016 Teramoto ..... D14/213  
 D760,698 S \* 7/2016 Jung ..... D14/188  
 D792,868 S \* 7/2017 Shitrit ..... D14/188  
 D800,695 S \* 10/2017 Sugiura ..... D14/214  
 D807,326 S \* 1/2018 Justis ..... D14/214  
 D826,902 S \* 8/2018 Eaton ..... D14/209.1  
 D826,903 S \* 8/2018 Yang ..... D14/210  
 D836,601 S \* 12/2018 Yang ..... D14/209.1  
 D876,395 S \* 2/2020 Kung ..... D14/214  
 D881,834 S \* 4/2020 Sabbag ..... D14/188  
 2008/0220812 A1 \* 9/2008 Wang ..... H04M 1/03  
 455/550.1  
 2008/0304692 A1 \* 12/2008 Zhang ..... H04R 1/025  
 381/387

FOREIGN PATENT DOCUMENTS

CN 304167995 S 6/2017  
 CN 304270553 S 9/2017  
 GB 6068375 \* 8/2019  
 JP D1174735 S 3/2003

\* cited by examiner



Fig. 1





Fig.2

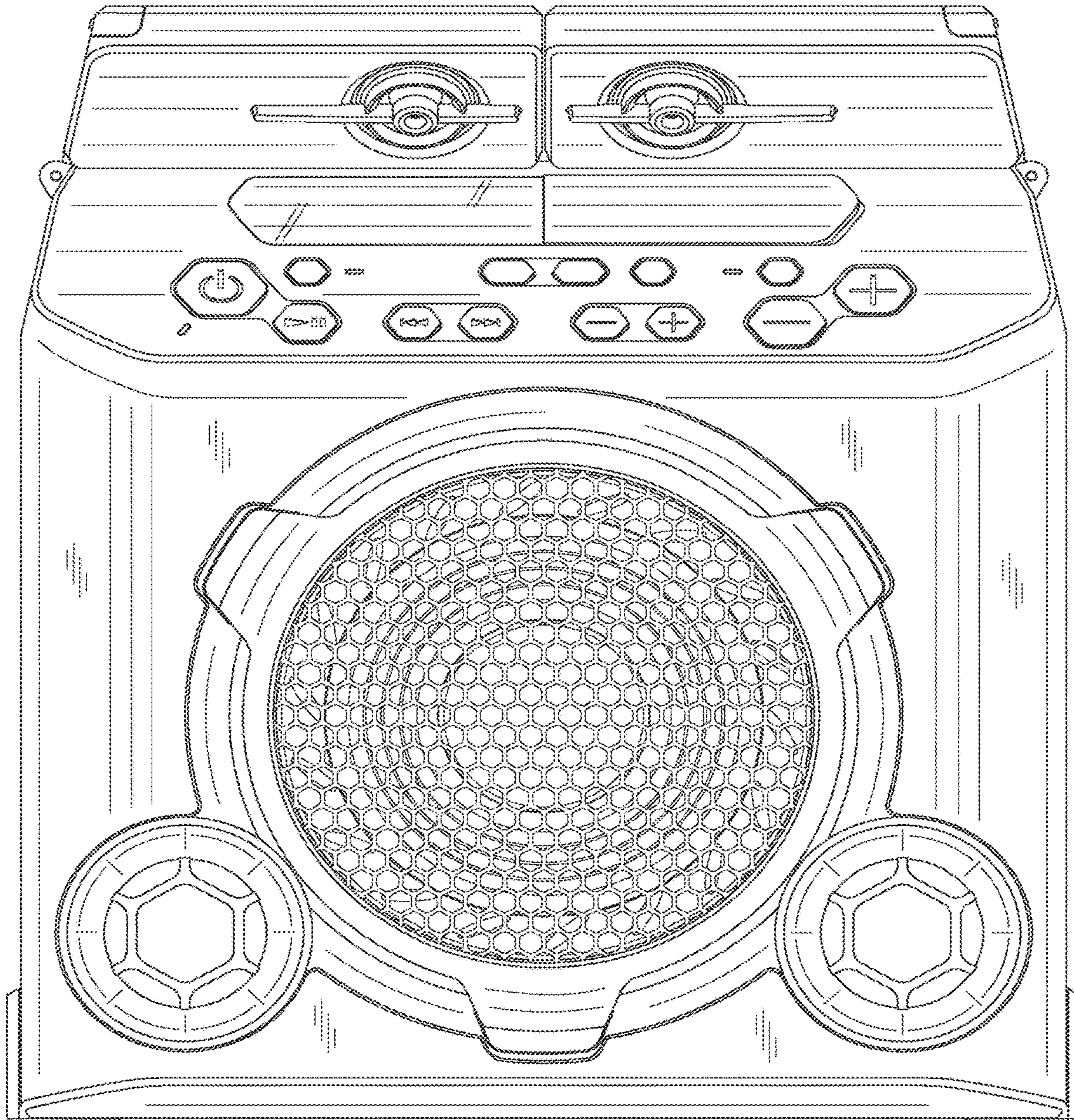


Fig. 3

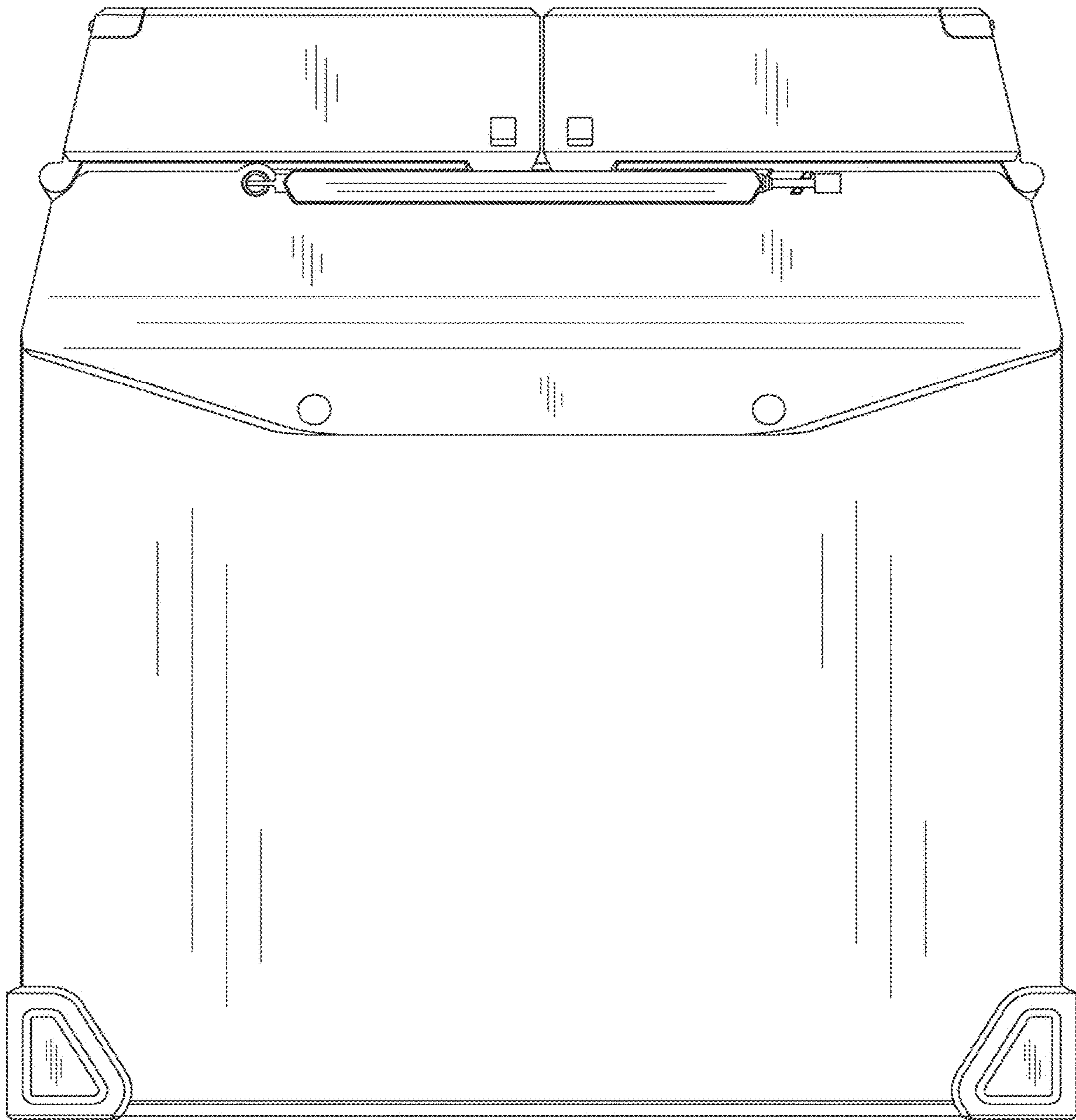




Fig. 4

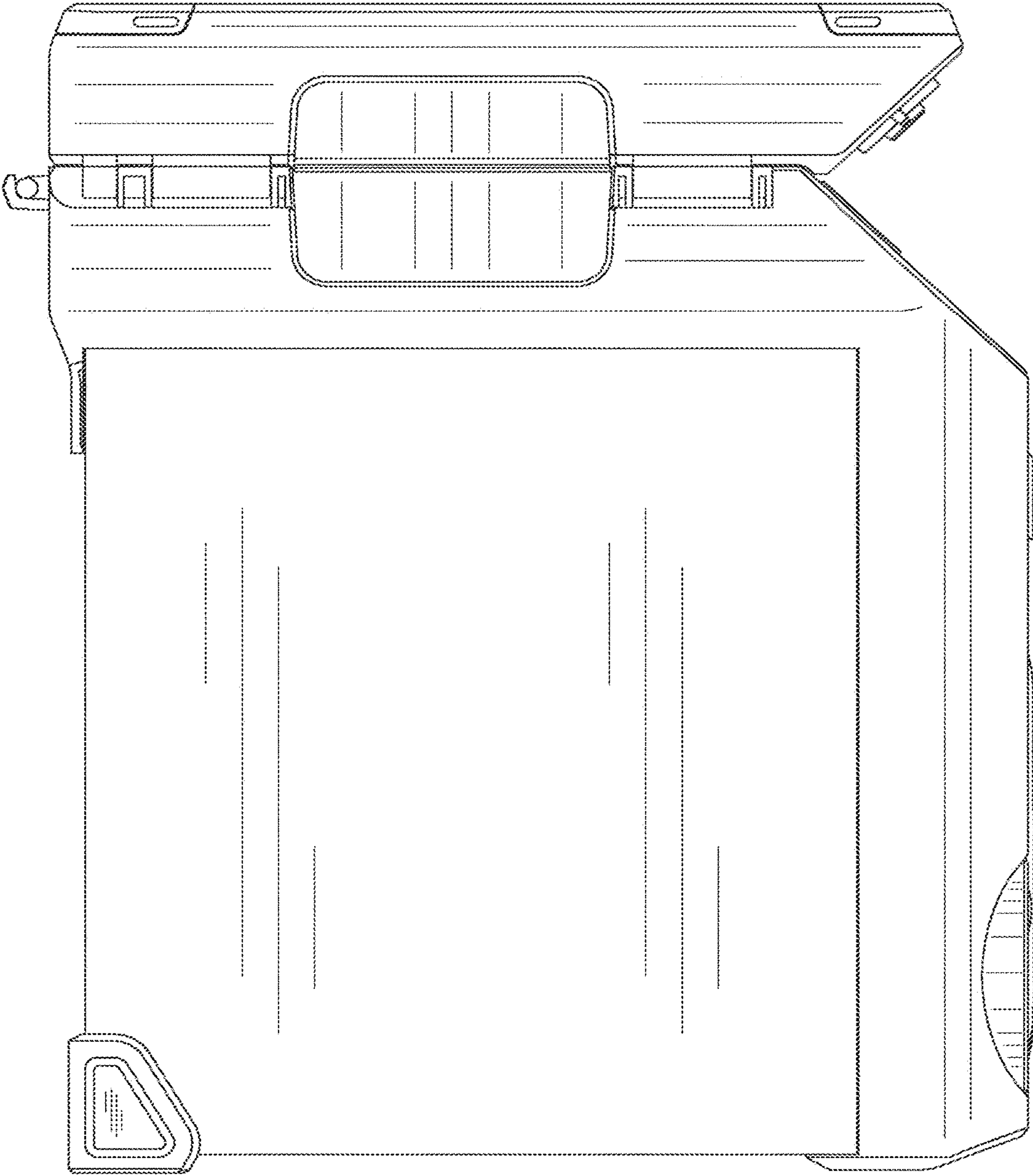


Fig. 5

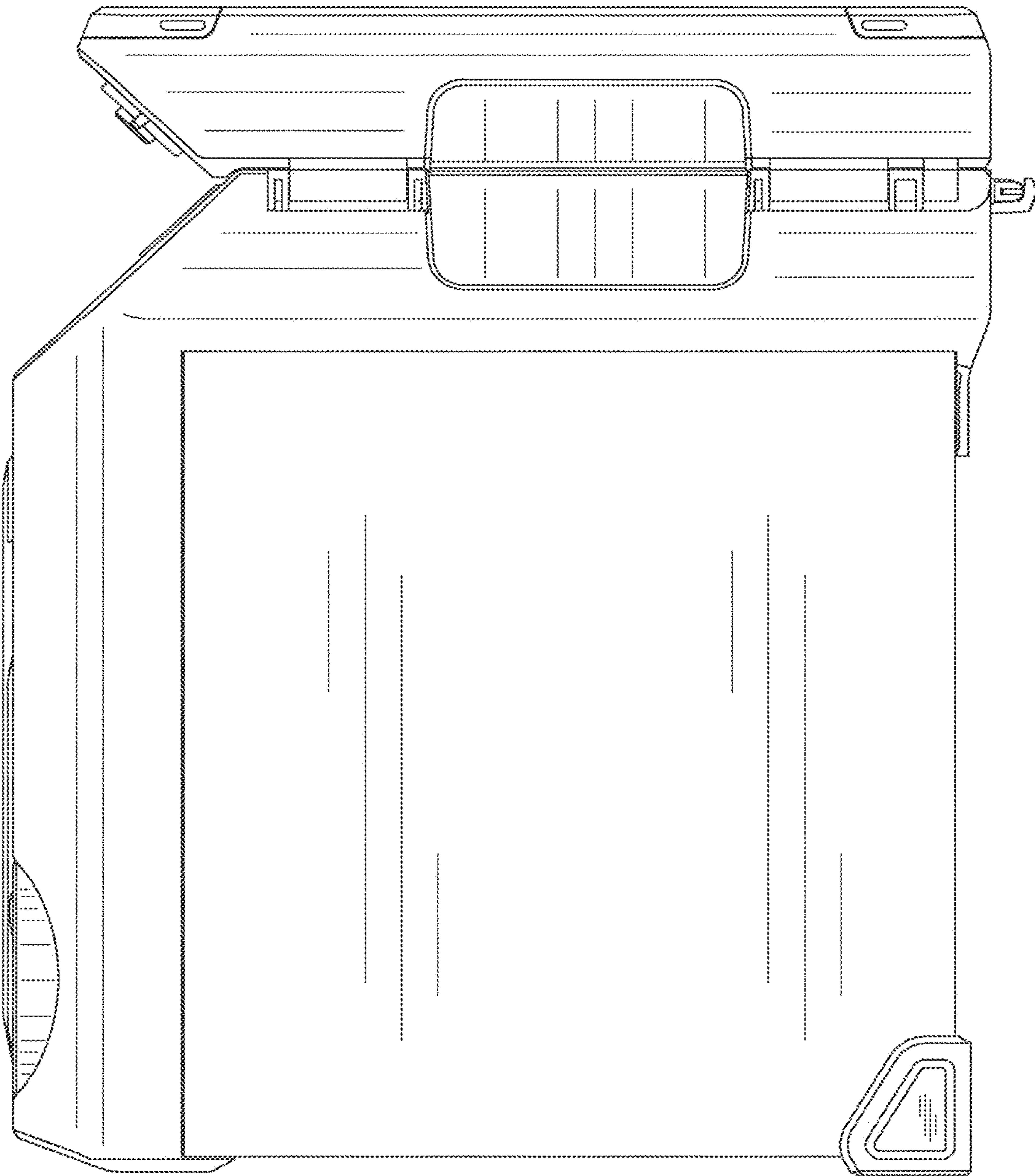


Fig. 6

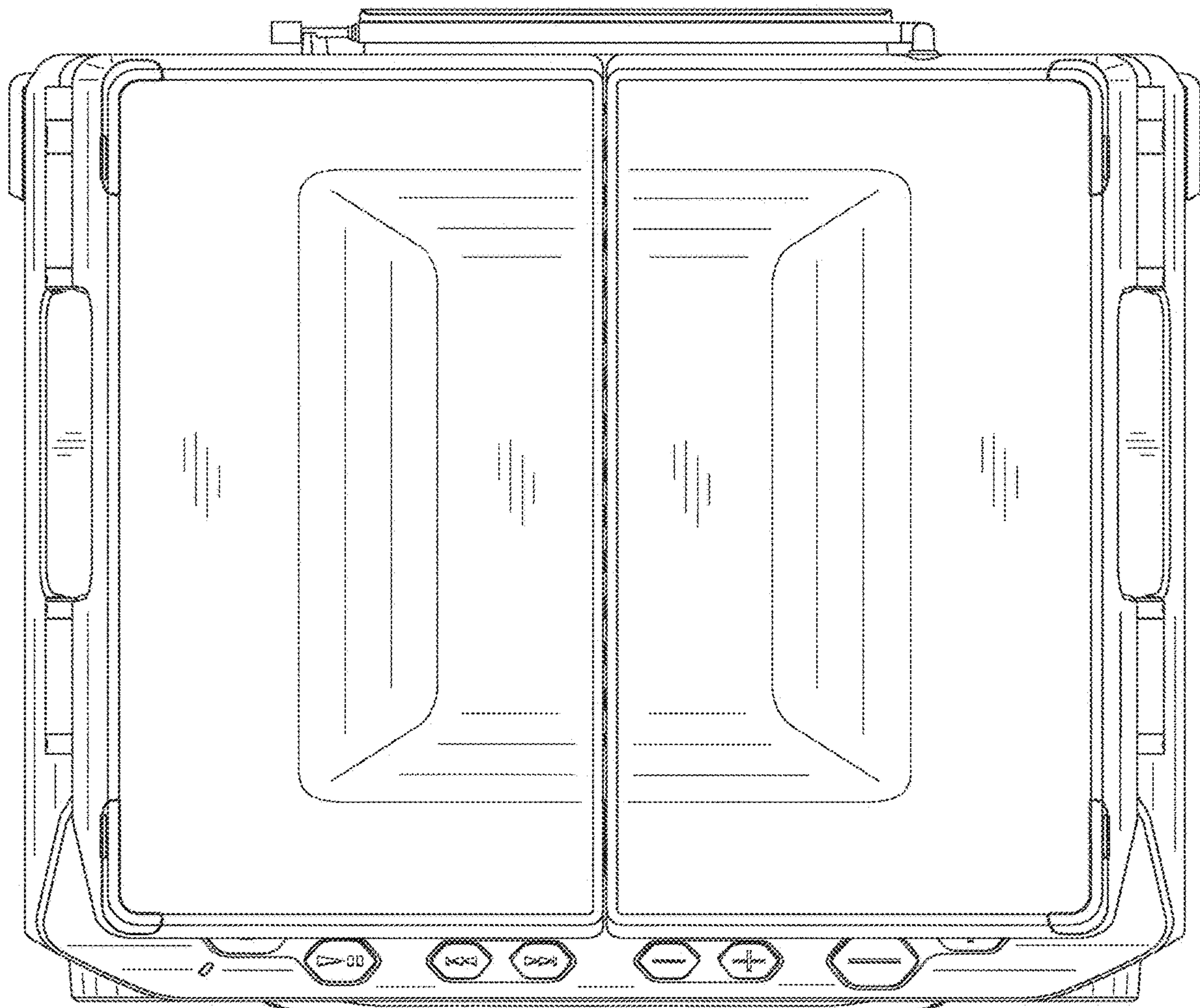




Fig. 7

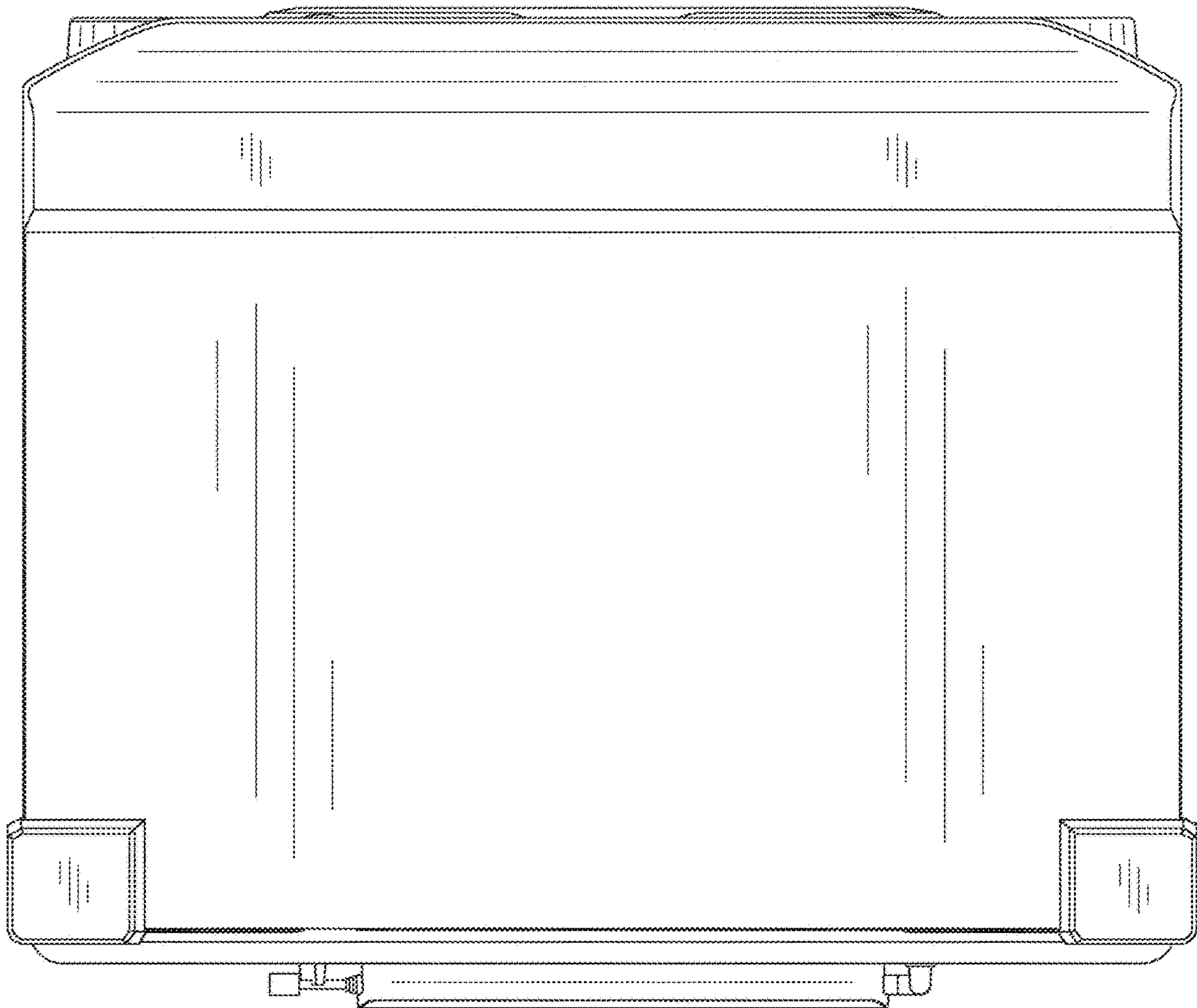


Fig. 8

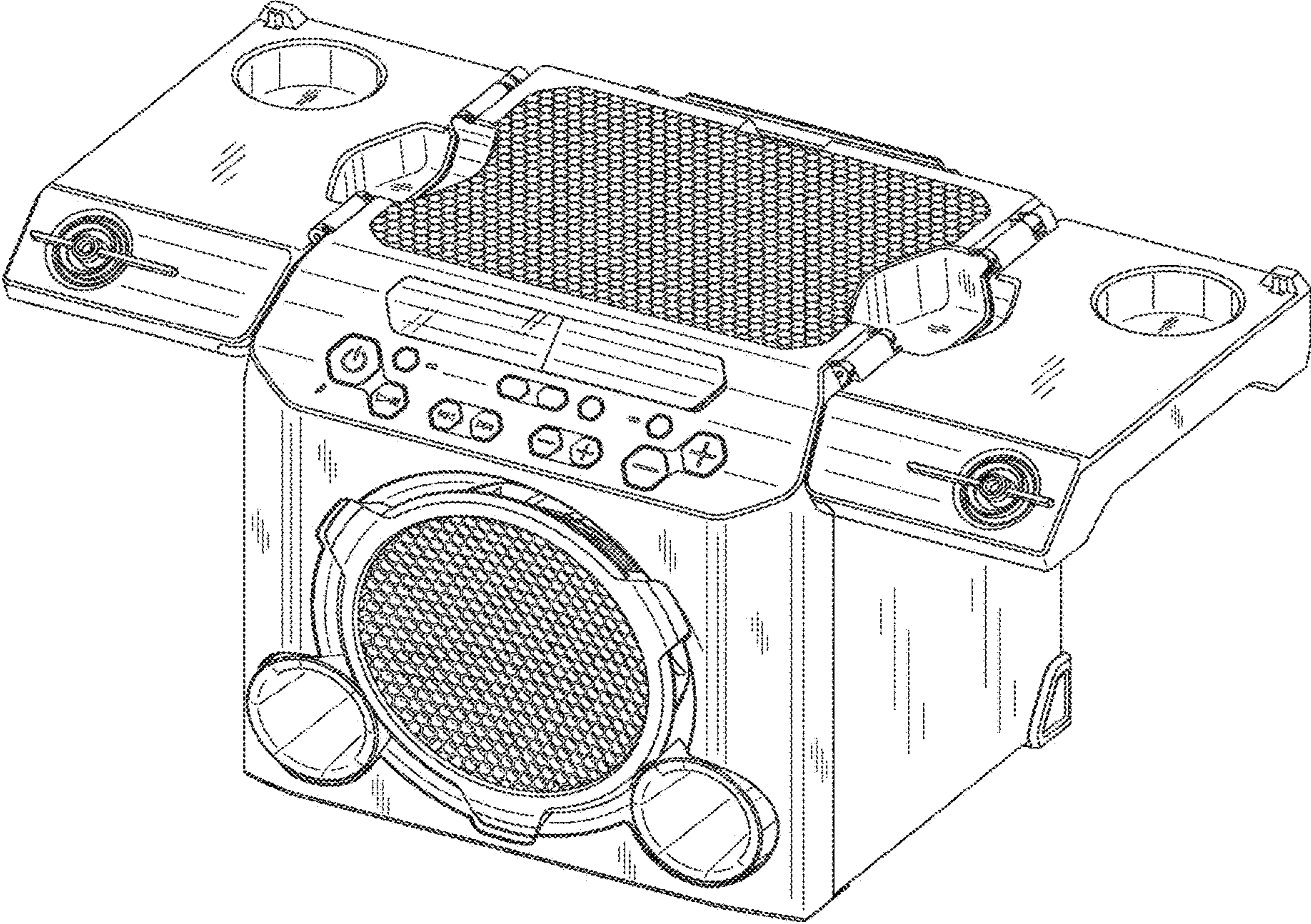




Fig. 9

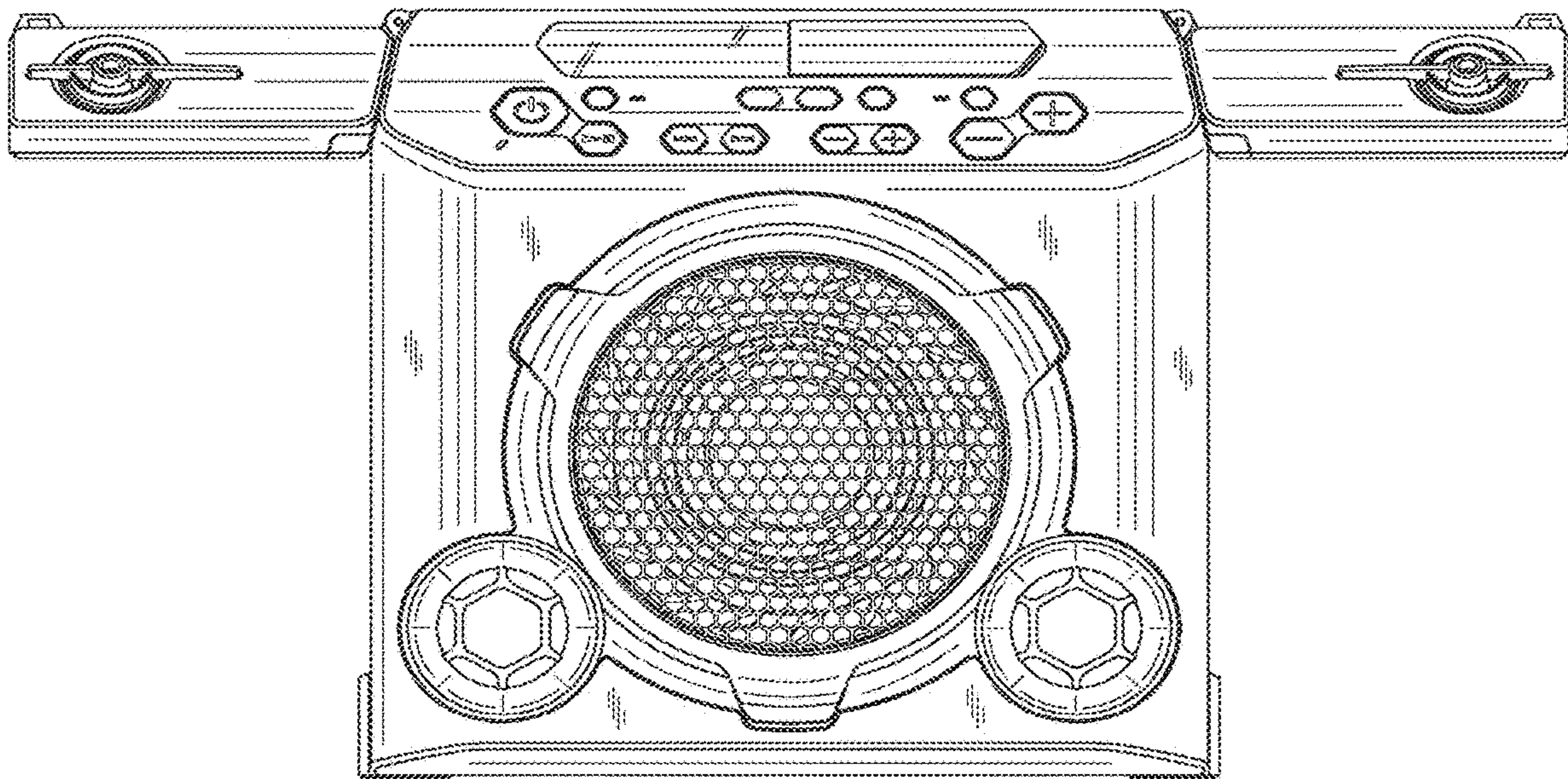


Fig. 10

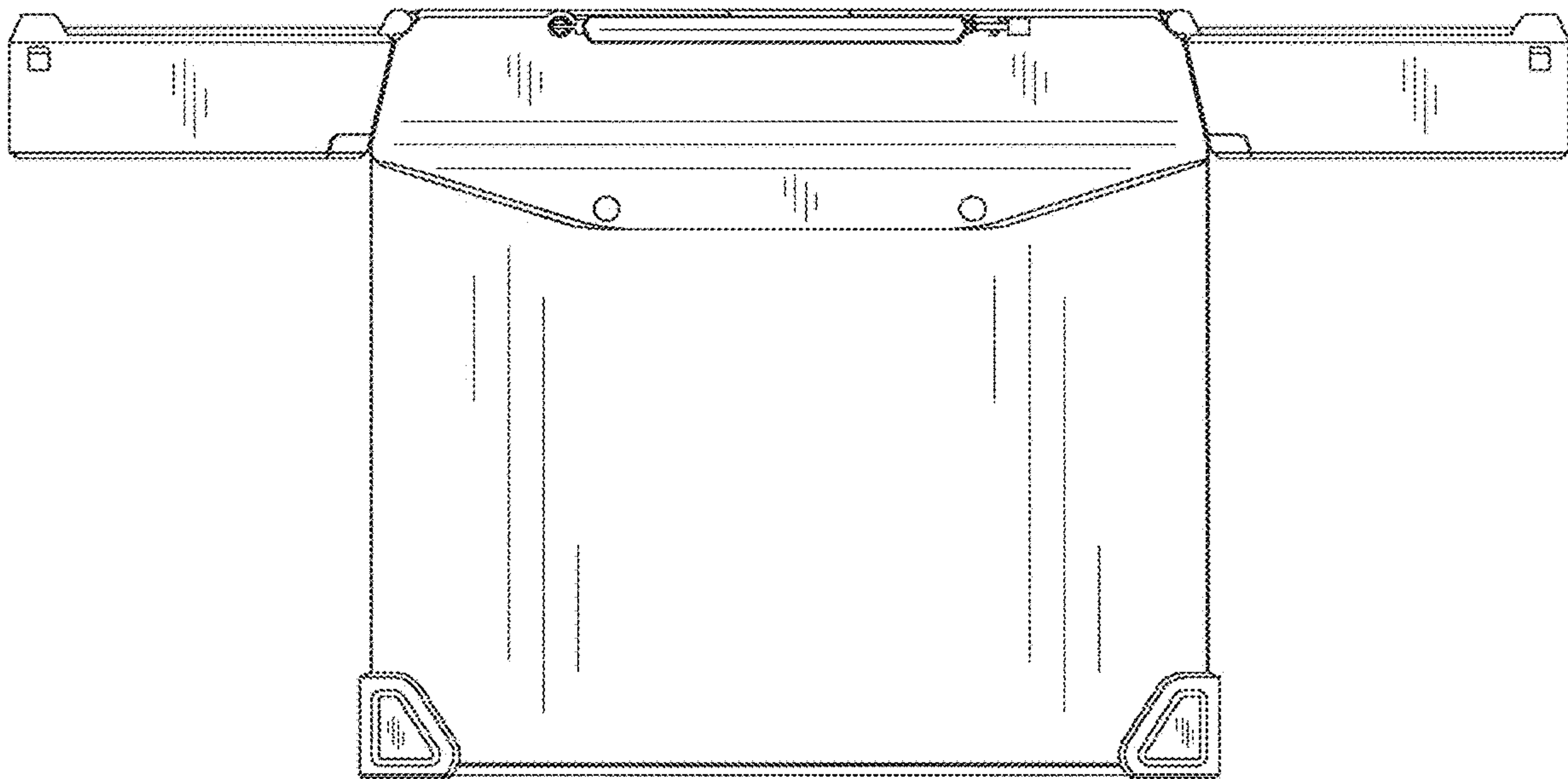




Fig. 11

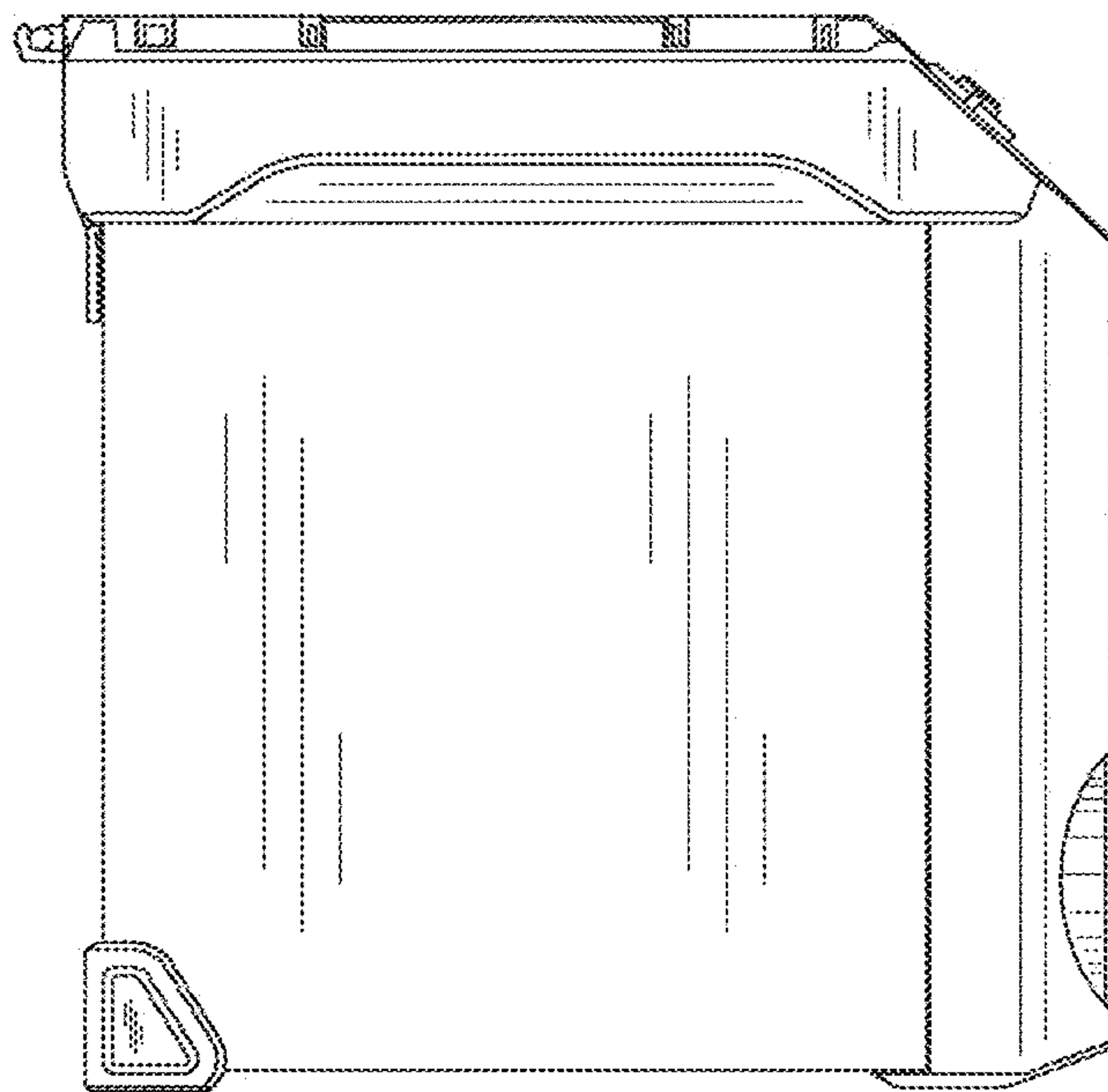


Fig. 12

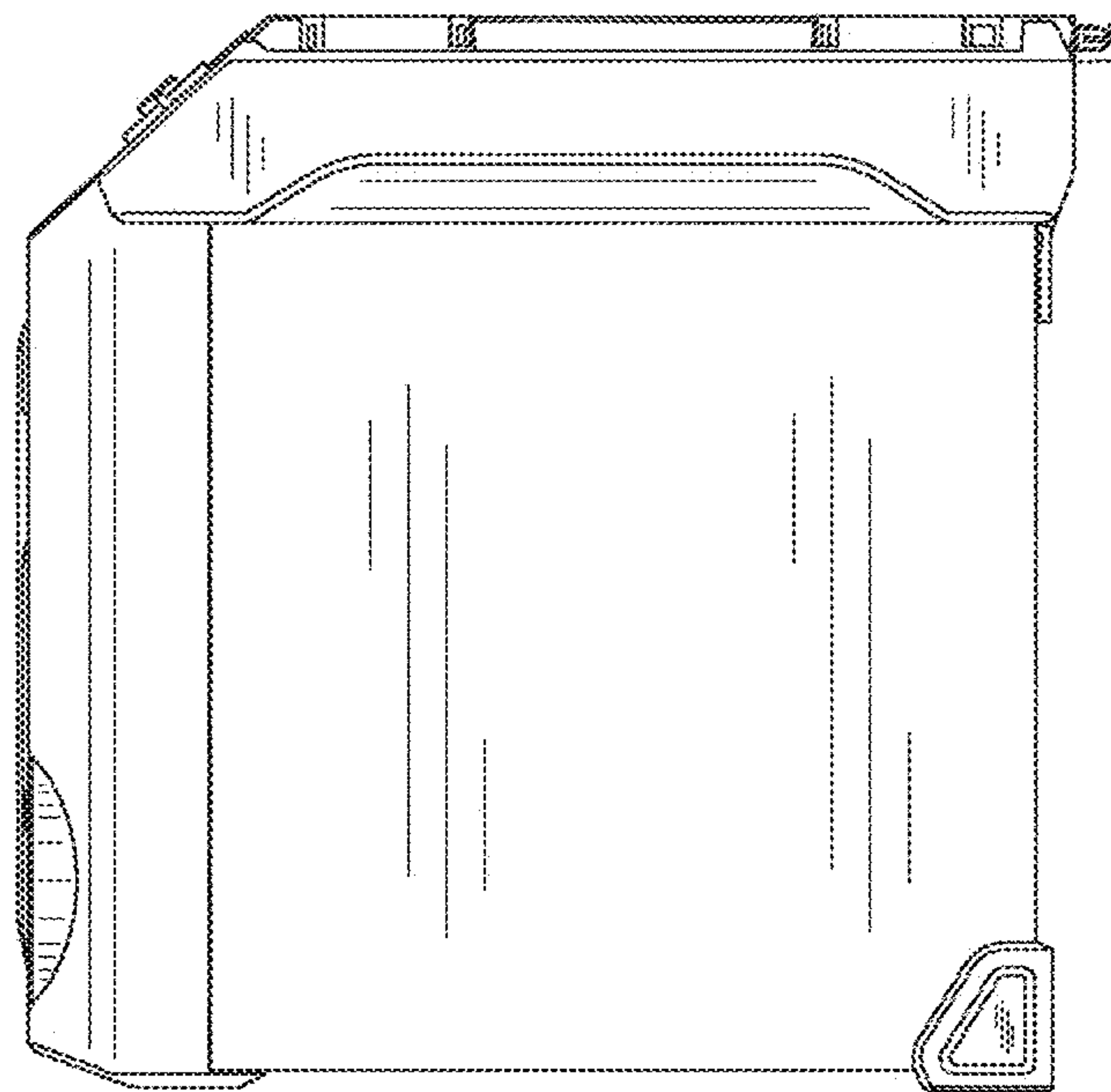




Fig. 13

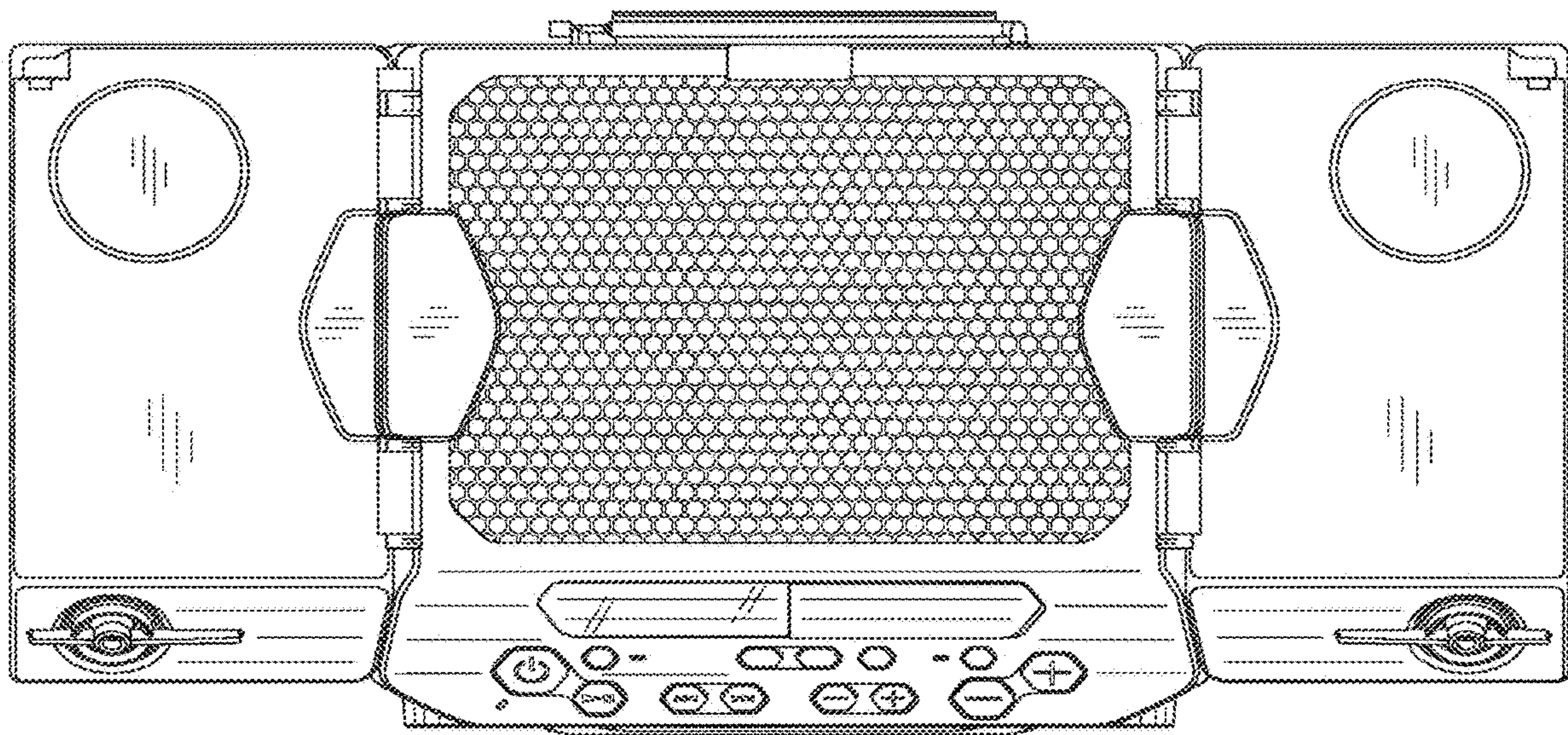


Fig. 14

