

US00D900057S

(12) **United States Design Patent**  
**Shan et al.**

(10) **Patent No.:** **US D900,057 S**

(45) **Date of Patent:** **\*\* Oct. 27, 2020**

(54) **HEADPHONE**

(71) Applicant: **SHENZHEN GRANDSUN ELECTRONIC CO., LTD.**, Shenzhen, Guangdong (CN)

(72) Inventors: **Xiangke Shan**, Shenzhen (CN); **Haiquan Wu**, Guangdong (CN); **Zhonghui Tang**, Shenzhen (CN); **Jiugao Peng**, Shenzhen (CN); **Ruiwen Shi**, Shenzhen (CN)

(73) Assignee: **SHENZHEN GRANDSUN ELECTRONIC CO., LTD.**, Shenzhen (CN)

(\*\*) Term: **15 Years**

(21) Appl. No.: **29/696,469**

(22) Filed: **Jun. 27, 2019**

(30) **Foreign Application Priority Data**

Dec. 27, 2018 (CN) ..... 2018 3 0760988

(51) **LOC (12) Cl.** ..... **14-01**

(52) **U.S. Cl.**  
USPC ..... **D14/205**

(58) **Field of Classification Search**  
USPC ..... D14/205, 188, 192; D29/112; 2/209; 381/380, 381, 374; 455/90.3, 575.1, 455/569.1

CPC ..... H04R 25/00; H04R 25/02; H04R 1/1066; H04R 1/1016; H04R 5/033; H04R 5/0335; H04R 1/1041; H04R 1/1091

See application file for complete search history.

(56) **References Cited**

U.S. PATENT DOCUMENTS

4,571,746 A \* 2/1986 Gorike ..... H04R 5/0335  
2/209

D374,658 S \* 10/1996 Bever ..... D13/171

D386,181 S \* 11/1997 Fisher ..... D14/192  
5,793,865 A \* 8/1998 Leifer ..... H04M 1/05  
379/430  
D398,309 S \* 9/1998 Bergin ..... D14/206  
D444,140 S \* 6/2001 Ishibashi ..... D14/192  
D484,485 S \* 12/2003 Matsuoka ..... D14/205  
D504,414 S \* 4/2005 Yoshida ..... D14/192  
7,388,960 B2 \* 6/2008 Kuo ..... H04R 1/1041  
379/430  
D573,581 S \* 7/2008 Gondo ..... D14/205

(Continued)

FOREIGN PATENT DOCUMENTS

CN 304072783 S 3/2017  
CN 304088716 S 3/2017

(Continued)

OTHER PUBLICATIONS

Japanese Office Action from counterpart Japanese patent application, along with machine translation.

*Primary Examiner* — Paula Allen Greene

(74) *Attorney, Agent, or Firm* — Robert L. Stearns; Dickinson Wright PLLC

(57) **CLAIM**

The ornamental design for a headphone, as shown and described.

DESCRIPTION

FIG. 1 is a perspective view of a headphone;

FIG. 2 is a front view thereof;

FIG. 3 is a rear view thereof;

FIG. 4 is a left side view thereof;

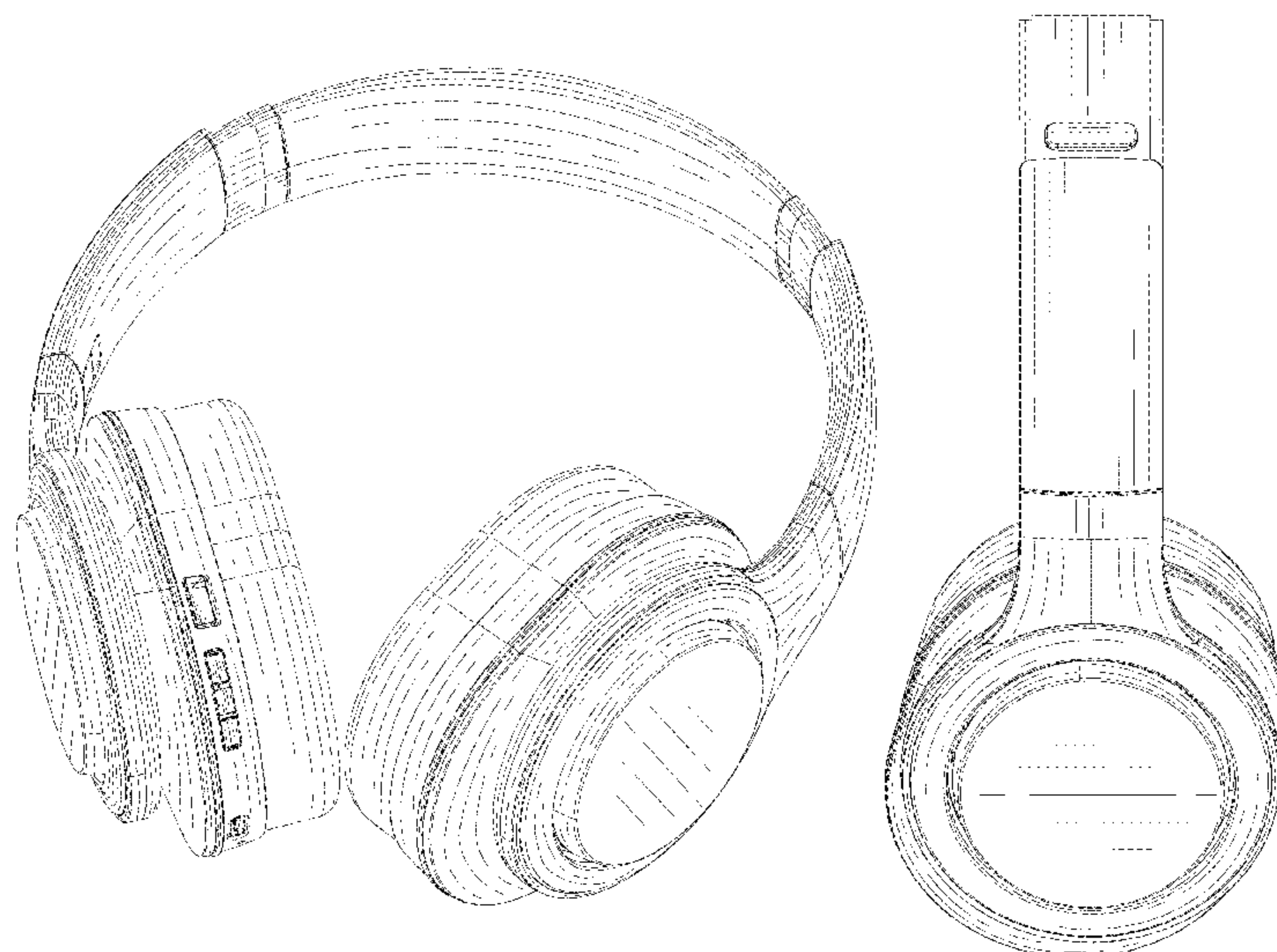
FIG. 5 is a right side view thereof;

FIG. 6 is a top view thereof; and,

FIG. 7 is a bottom view thereof.

The broken lines in the figures depict portions of the headphone that form no part of the claimed design.

**1 Claim, 7 Drawing Sheets**



(56)

References Cited

U.S. PATENT DOCUMENTS

D581,394 S \* 11/2008 Lee ..... D14/205  
 D632,668 S \* 2/2011 Brunner ..... D14/205  
 D635,959 S \* 4/2011 Hutchieson ..... D14/205  
 D638,397 S \* 5/2011 McManigal ..... D14/205  
 D657,344 S \* 4/2012 Brunner ..... D14/205  
 D657,346 S \* 4/2012 Park ..... D14/205  
 D657,776 S \* 4/2012 Lee ..... D14/205  
 D660,823 S \* 5/2012 Hardi ..... D14/205  
 D660,824 S \* 5/2012 Hardi ..... D14/205  
 D663,716 S \* 7/2012 Hardi ..... D14/205  
 D664,116 S \* 7/2012 Hutchieson ..... D14/205  
 D671,914 S \* 12/2012 Lee ..... D14/205  
 D673,136 S \* 12/2012 Kelly ..... D14/205  
 D677,647 S \* 3/2013 Lee ..... D14/205  
 D678,860 S \* 3/2013 Hagelin ..... D14/205  
 D683,329 S \* 5/2013 Hagelin ..... D14/205  
 D691,579 S \* 10/2013 Lee ..... D14/205  
 D691,984 S \* 10/2013 Wang ..... D14/205  
 D699,702 S \* 2/2014 Chen ..... D14/205  
 D729,196 S \* 5/2015 Liu ..... D14/205  
 D750,041 S \* 2/2016 Birger ..... D14/205  
 D768,110 S \* 10/2016 Suzuki ..... D14/205  
 D775,104 S \* 12/2016 Lee ..... D14/205  
 D795,835 S \* 8/2017 Nagamine ..... D14/205  
 D800,691 S \* 10/2017 Ando ..... D14/205  
 D809,478 S \* 2/2018 Arimoto ..... D14/205  
 D811,364 S \* 2/2018 Park ..... D14/205  
 D817,303 S \* 5/2018 Tragatschnig ..... D14/205  
 D826,895 S \* 8/2018 Sharp ..... D14/205  
 D828,326 S \* 9/2018 Ye ..... D14/205  
 D830,334 S \* 10/2018 Carr ..... D14/205

D836,084 S \* 12/2018 Xie ..... D14/205  
 D837,763 S \* 1/2019 Suzuki ..... D14/205  
 D843,345 S \* 3/2019 Brunner ..... D14/205  
 D850,406 S \* 6/2019 Hembrey ..... D14/205  
 D852,776 S \* 7/2019 Zhu ..... D14/205  
 D860,163 S \* 9/2019 Xia ..... D14/205  
 D865,706 S \* 11/2019 Li ..... D14/205  
 D868,728 S \* 12/2019 Zaihui ..... D14/205  
 D869,437 S \* 12/2019 Hu ..... D14/205  
 D875,068 S \* 2/2020 Nagamine ..... D14/205  
 D877,716 S \* 3/2020 Hu ..... D14/205  
 D879,065 S \* 3/2020 Chan ..... D14/205  
 D879,742 S \* 3/2020 Hu ..... D14/205  
 D881,157 S \* 4/2020 Chen ..... D14/205  
 D883,949 S \* 5/2020 Hu ..... D14/205  
 D888,008 S \* 6/2020 Yook ..... D14/205  
 10,681,444 B2 \* 6/2020 Kamimura ..... H04R 1/1066  
 D892,079 S \* 8/2020 Wu ..... D14/205  
 2013/0343591 A1 \* 12/2013 Brunner ..... H04R 1/1075  
 381/371  
 2014/0254854 A1 \* 9/2014 Blonder ..... H04R 1/1066  
 381/371

FOREIGN PATENT DOCUMENTS

CN 305886731 \* 6/2020  
 CN 305912553 \* 7/2020  
 EM 005605003-0001 12/2018  
 GB 6064139 \* 6/2019  
 JP 1318386 S 12/2007  
 JP 1406347 S 1/2011  
 JP 1502703 S 7/2014  
 JP D1648130 \* 11/2019

\* cited by examiner





FIG. 1

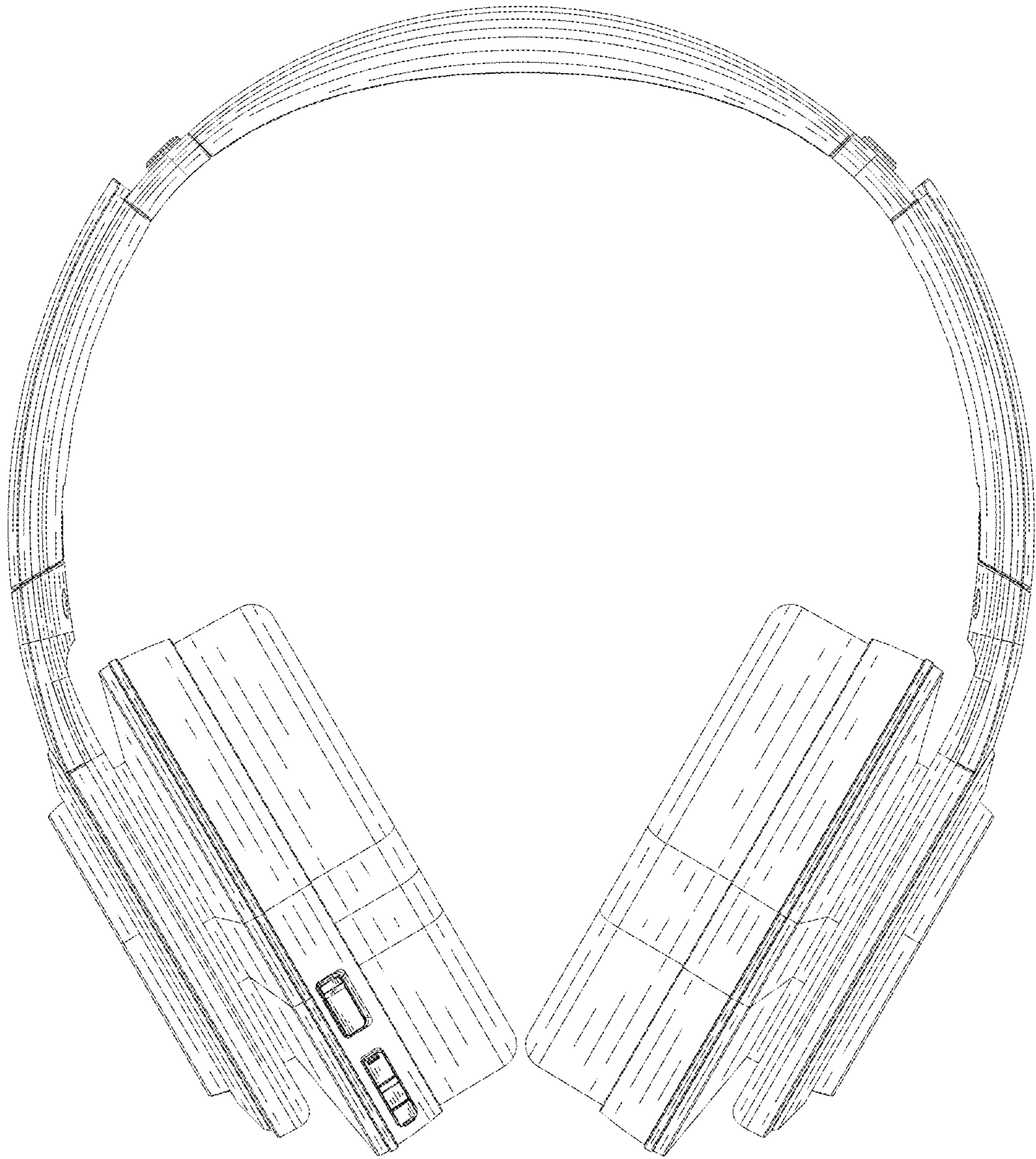


FIG. 2



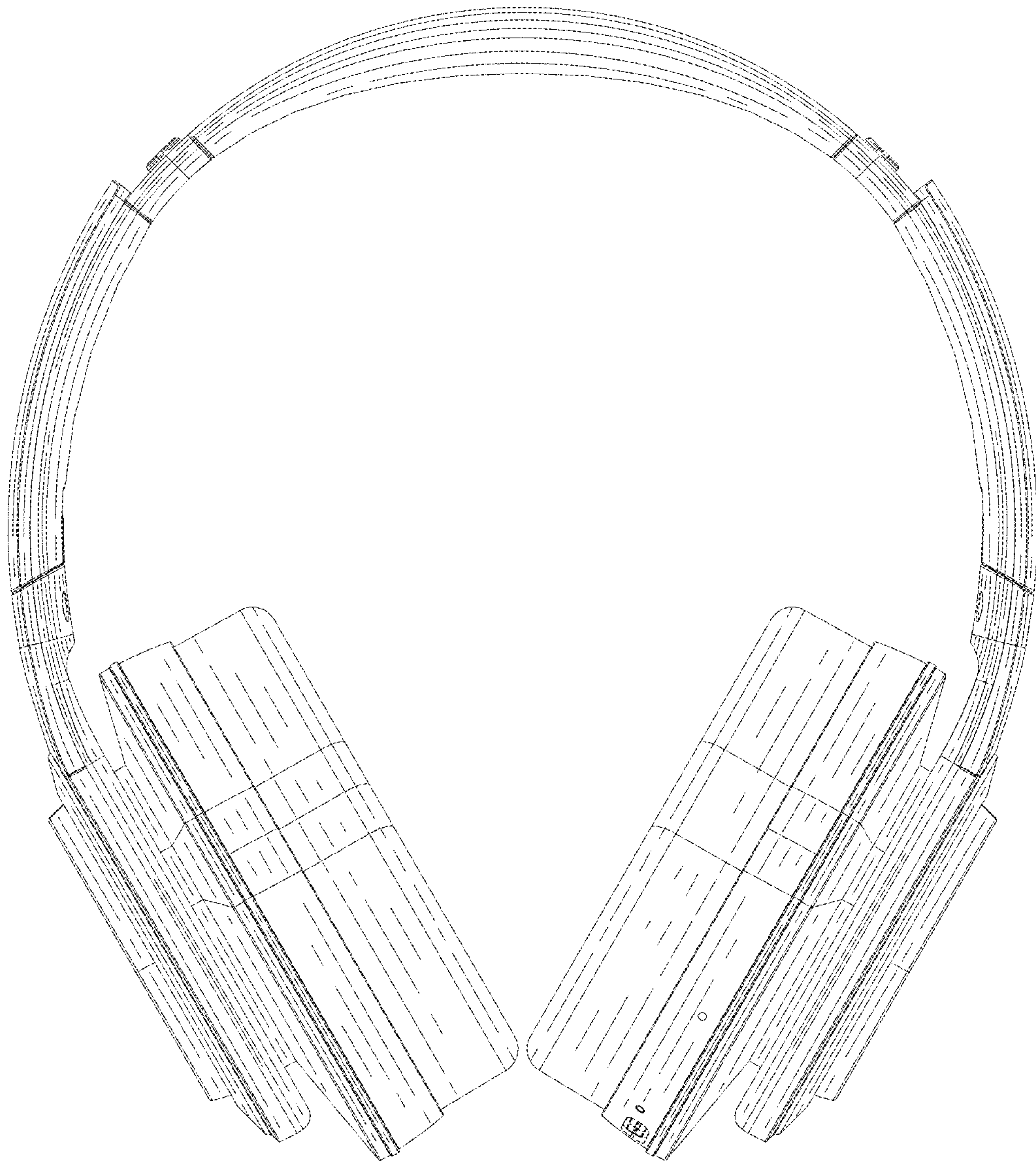


FIG. 3

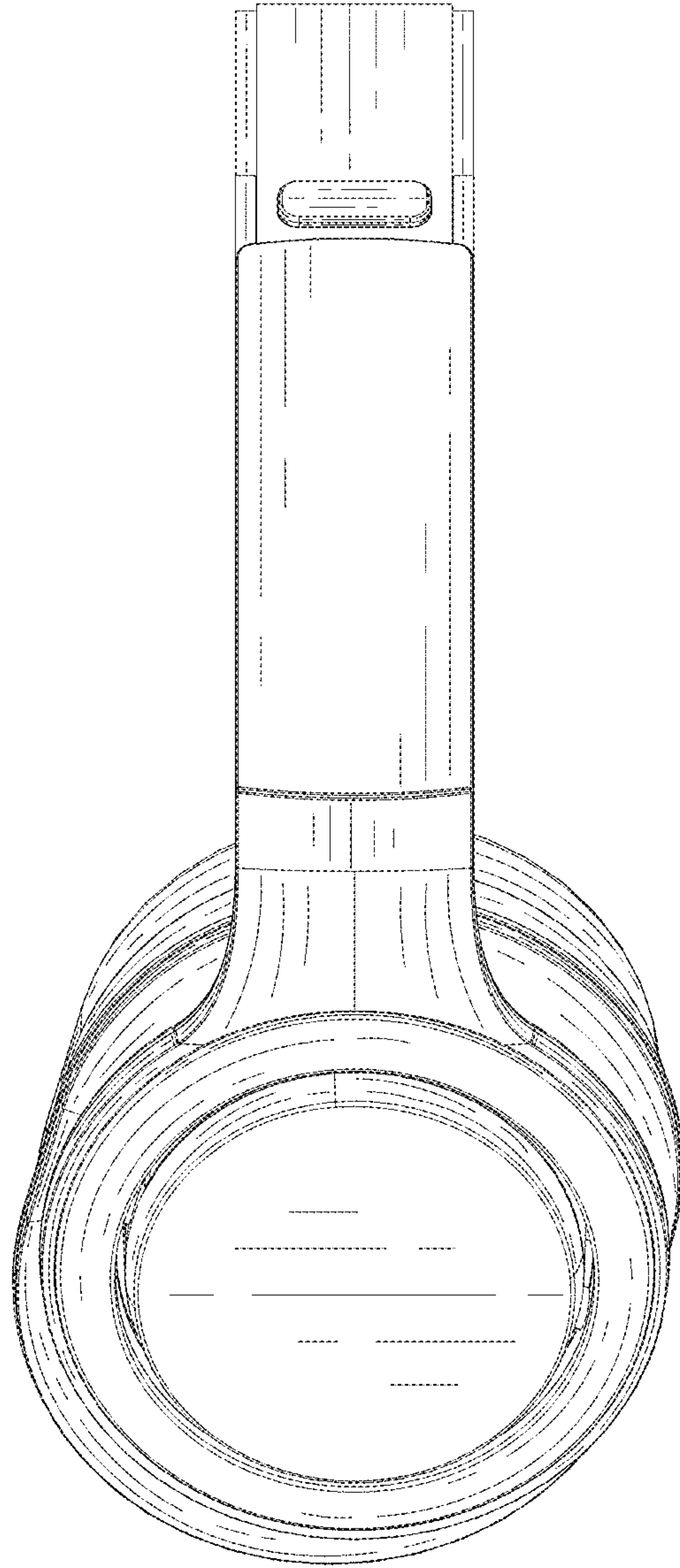


FIG. 4

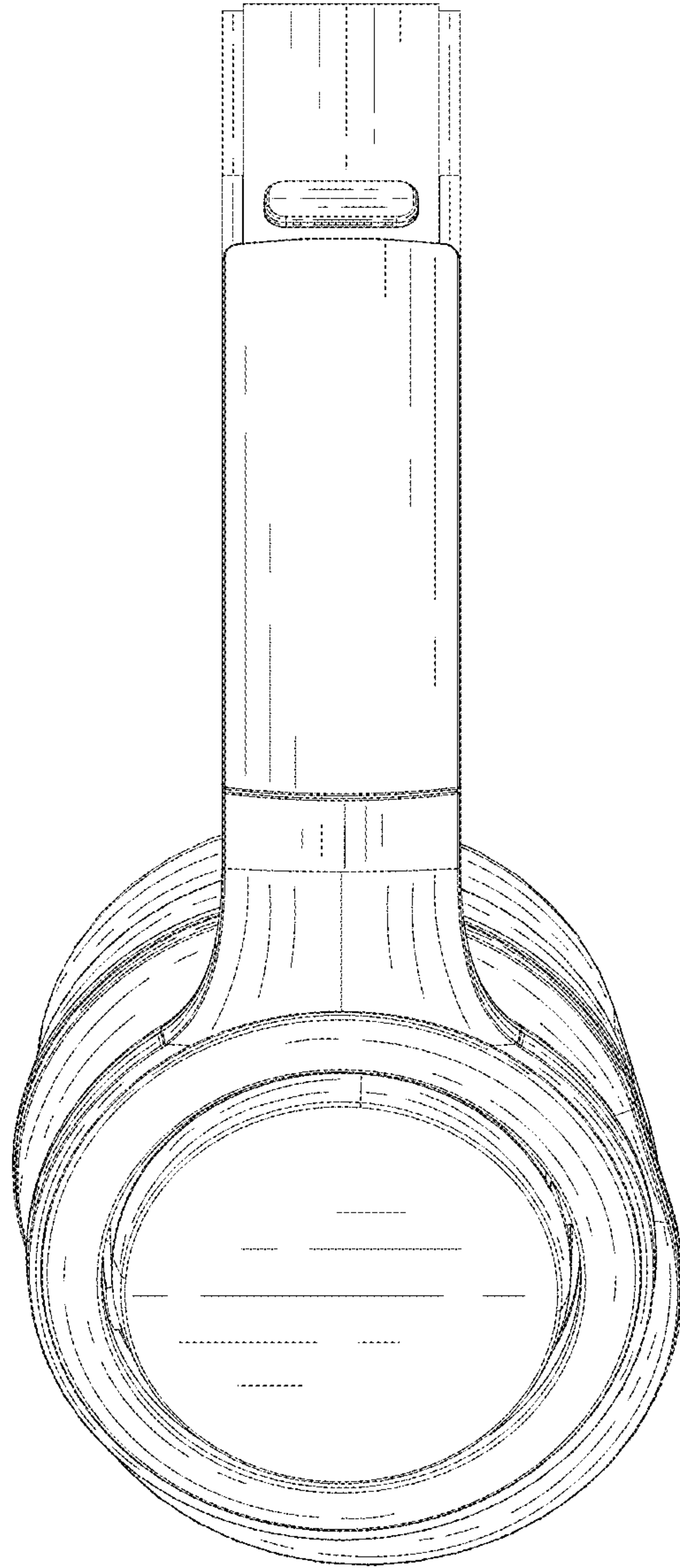


FIG.5

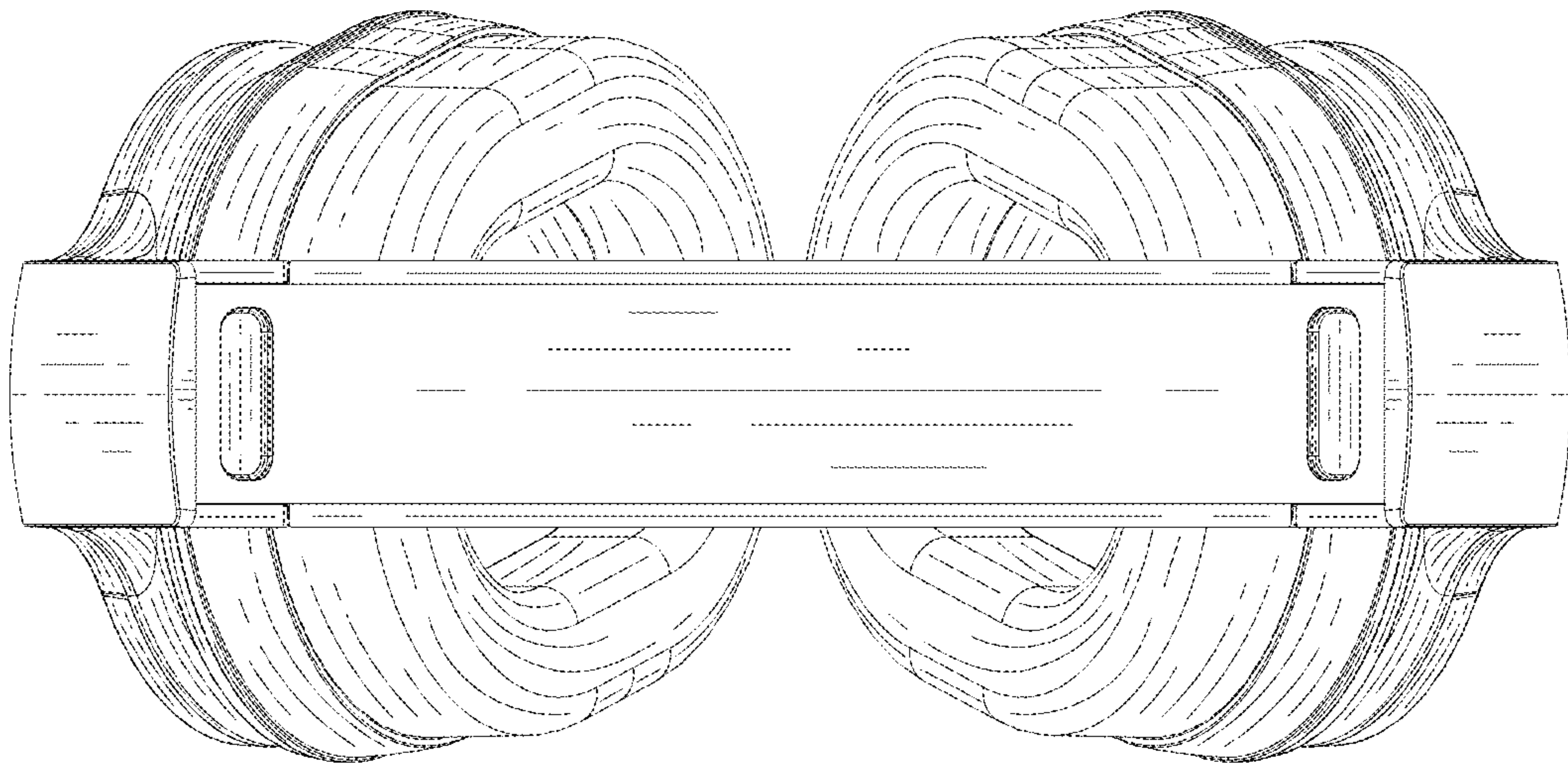


FIG.6



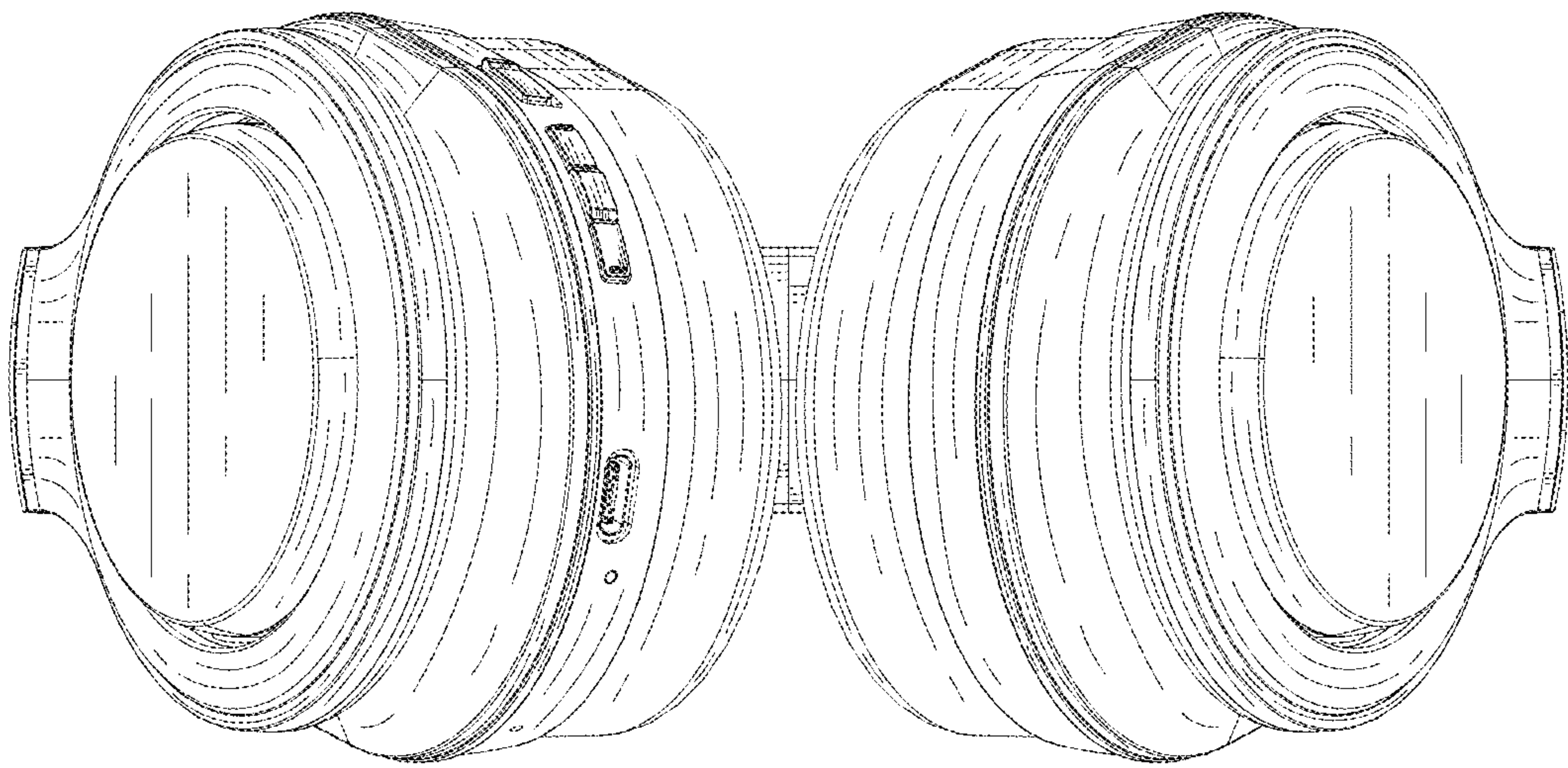


FIG. 7