



US00D900056S

(12) **United States Design Patent** (10) **Patent No.:** **US D900,056 S**  
**Jaques et al.** (45) **Date of Patent:** **\*\* Oct. 27, 2020**

- (54) **HEADSET**
- (71) Applicant: **GN AUDIO A/S**, Ballerup (DK)
- (72) Inventors: **David Alden Jaques**, Durham, NH (US); **Thomas F. Terrien, Jr.**, Portsmouth, NH (US); **Kevin A. Batson**, Dover, NH (US); **William J. Blank, Jr.**, Hampton, NH (US)
- (73) Assignee: **GN Audio A/S**, Ballerup (DK)
- (\*\*) Term: **15 Years**
- (21) Appl. No.: **29/673,353**
- (22) Filed: **Dec. 13, 2018**
- (51) **LOC (12) Cl.** ..... **14-01**
- (52) **U.S. Cl.**  
USPC ..... **D14/205**; D14/223
- (58) **Field of Classification Search**  
USPC ..... D14/223, 205; D24/174; 128/864, 865, 128/866; 181/129, 130, 135; 379/430, 379/431; 381/380, 381, 370, 374; 455/90.3, 575.1, 569.1  
CPC ..... H04R 1/10; H04R 25/00; H04R 1/1066; H04R 1/1016; H04R 5/033; H04R 5/0335; H04R 1/105  
See application file for complete search history.

- D508,485 S \* 8/2005 Katsumata ..... D14/205
- D509,210 S \* 9/2005 Skulley ..... D14/205
- D512,991 S \* 12/2005 Yano ..... D14/223
- D515,068 S \* 2/2006 White ..... D14/188
- D517,054 S \* 3/2006 Yang ..... D14/205
- D526,313 S \* 8/2006 Murray ..... D14/223
- D538,792 S \* 3/2007 Kim ..... D14/223
- D542,267 S \* 5/2007 Cha ..... D14/206
- 7,248,902 B2 \* 7/2007 Chu ..... H04M 1/6066  
379/420.01
- D552,596 S \* 10/2007 Christopher ..... D14/205  
(Continued)

**OTHER PUBLICATIONS**

BlueParrott C400-XT Headset, webpages dated Dec. 5, 2018, GN Audio A/S, Lautrupbjerg 7 DK-2750 Ballerup, Denmark; <https://www.blueparrott.com/on-the-road-headsets/blueparrott-c400-xt>.

*Primary Examiner* — Paula Allen Greene  
(74) *Attorney, Agent, or Firm* — Hamre, Schumann, Mueller & Larson, P.C.

(57) **CLAIM**

The ornamental design for a headset, as shown and described.

**DESCRIPTION**

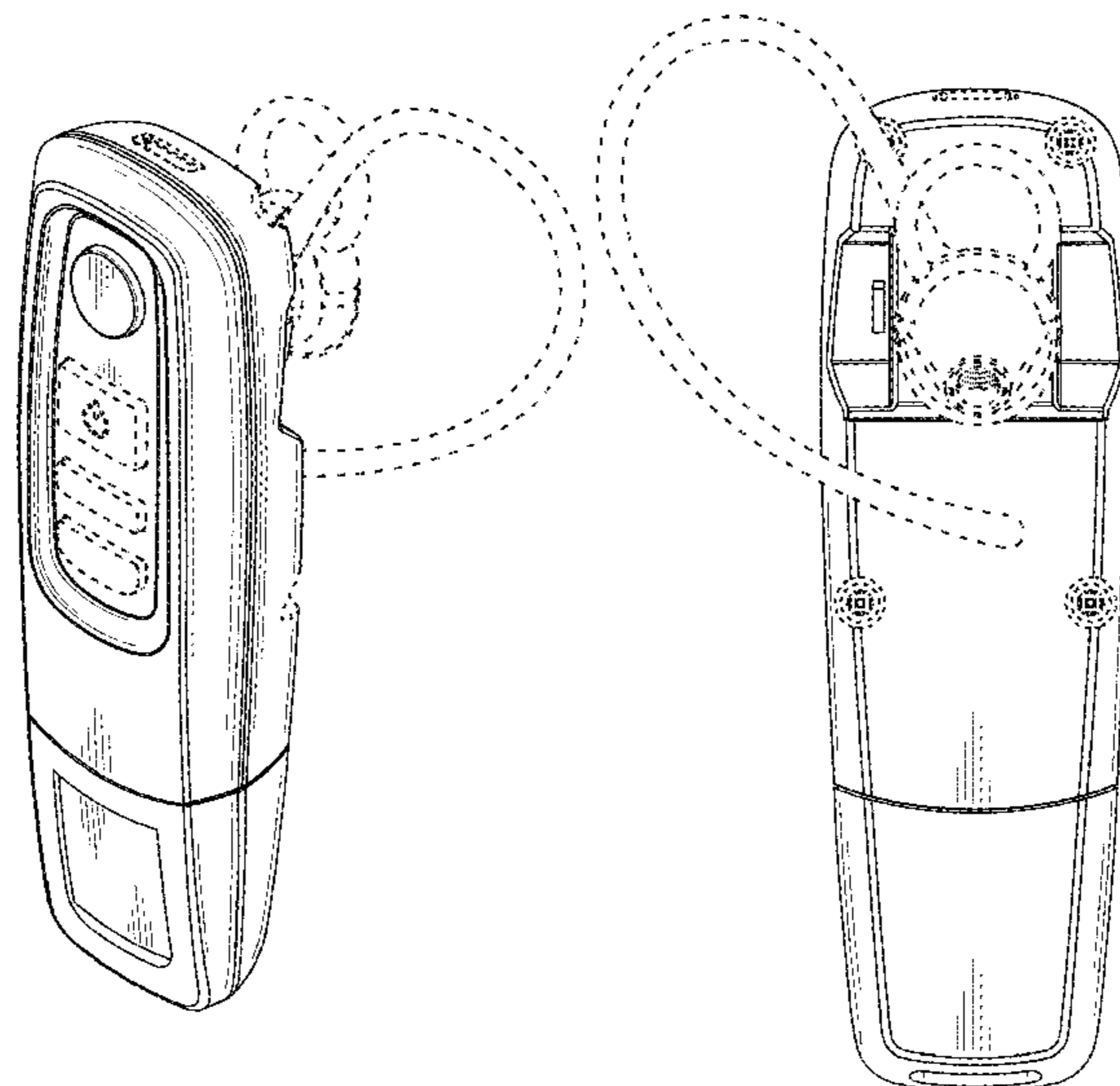
FIG. 1 is a perspective view of a headset showing the new design;  
FIG. 2 is a front view thereof;  
FIG. 3 is a back view thereof;  
FIG. 4 is a left side view thereof;  
FIG. 5 is a right side view thereof;  
FIG. 6 is a top view thereof; and,  
FIG. 7 is a bottom view thereof.  
The broken lines immediately adjacent the surface shading represent the bounds of the claimed design while all other broken lines are directed to environment and are for illustrative purposes only; the broken lines form no part of the claimed design.

**1 Claim, 6 Drawing Sheets**

(56) **References Cited**

**U.S. PATENT DOCUMENTS**

- D395,312 S \* 6/1998 Parsadayan ..... D14/218
- D471,889 S \* 3/2003 Rath ..... D14/205
- D471,898 S \* 3/2003 Bae ..... D14/205
- D479,834 S \* 9/2003 Salazar ..... D14/205
- D481,374 S \* 10/2003 Lee ..... D14/188
- D494,569 S \* 8/2004 Ma ..... D14/223
- D494,570 S \* 8/2004 Ma ..... D14/223
- D498,750 S \* 11/2004 Ma ..... D14/223
- D502,171 S \* 2/2005 Tang ..... D14/205
- D504,884 S \* 5/2005 Hering ..... D14/206



(56)

References Cited

U.S. PATENT DOCUMENTS

D553,540 S \* 10/2007 Siman-Tov ..... D11/90  
 D553,613 S \* 10/2007 Sade ..... D14/223  
 D554,626 S \* 11/2007 Christopher ..... D14/223  
 D555,150 S \* 11/2007 Christopher ..... D14/223  
 D555,151 S \* 11/2007 Eklund ..... D14/223  
 D559,836 S \* 1/2008 Lee ..... D14/223  
 D566,105 S \* 4/2008 Yang ..... D14/223  
 D566,108 S \* 4/2008 Kan ..... D14/223  
 D566,692 S \* 4/2008 Sade ..... D14/223  
 D566,694 S \* 4/2008 Kim ..... D14/223  
 D569,842 S \* 5/2008 Yang ..... D14/205  
 D573,139 S \* 7/2008 Birger ..... D14/205  
 D573,140 S \* 7/2008 Tsai ..... D14/205  
 D573,582 S \* 7/2008 Ma ..... D14/205  
 D574,367 S \* 8/2008 Jaakkola ..... D14/205  
 D575,277 S \* 8/2008 Gaarde ..... D14/205  
 D578,516 S \* 10/2008 Christopher ..... D14/223  
 D581,396 S \* 11/2008 Wikel ..... D14/206  
 D582,897 S \* 12/2008 Christopher ..... D14/223  
 D586,791 S \* 2/2009 Birger ..... D14/223  
 D592,190 S \* 5/2009 Birger ..... D14/223  
 D603,378 S \* 11/2009 Paradise ..... D14/223  
 D604,722 S \* 11/2009 Mistry ..... D14/223  
 D606,521 S \* 12/2009 Birger ..... D14/223  
 D609,695 S \* 2/2010 Cigliano ..... D14/205  
 D610,575 S \* 2/2010 Brickstad ..... D14/223  
 7,778,410 B2 \* 8/2010 Liu ..... H04M 1/05  
 379/430

D624,904 S \* 10/2010 Lim ..... D14/223  
 D628,989 S \* 12/2010 Lee ..... D14/223  
 D630,622 S \* 1/2011 Lee ..... D14/223  
 D634,305 S \* 3/2011 Hoggarth ..... D14/223  
 D645,849 S \* 9/2011 Kim ..... D14/223  
 D648,710 S \* 11/2011 Ha ..... D14/223  
 D649,958 S \* 12/2011 Park ..... D14/223  
 D650,773 S \* 12/2011 Kim ..... D14/223  
 D656,128 S \* 3/2012 Park ..... D14/223  
 D661,284 S \* 6/2012 Brandis ..... D14/223  
 D664,125 S \* 7/2012 Koch ..... D14/223  
 D664,522 S \* 7/2012 Chen ..... D14/223  
 D664,950 S \* 8/2012 Rye ..... D14/223  
 D680,101 S \* 4/2013 Koch ..... D14/223  
 D696,647 S \* 12/2013 Houghton ..... D14/223  
 8,611,578 B2 \* 12/2013 Kim ..... H02J 7/0044  
 379/420.01  
 D707,659 S \* 6/2014 Henning ..... D14/223  
 9,301,037 B1 \* 3/2016 Kalyvas ..... H04M 1/6041  
 D779,462 S \* 2/2017 Birger ..... D14/223  
 D796,490 S \* 9/2017 Lian ..... D14/217  
 D801,952 S \* 11/2017 Lian ..... D14/223  
 D817,931 S \* 5/2018 Yao ..... D14/223  
 D838,692 S \* 1/2019 Fu ..... D14/223  
 2009/0304220 A1 \* 12/2009 Fujikura ..... H04R 1/1091  
 381/380  
 2013/0259286 A1 \* 10/2013 Chung ..... H04R 1/1016  
 381/380  
 2016/0261942 A1 \* 9/2016 Hayden ..... H04R 1/105  
 2017/0026738 A1 \* 1/2017 Tang ..... H04R 1/1058

\* cited by examiner

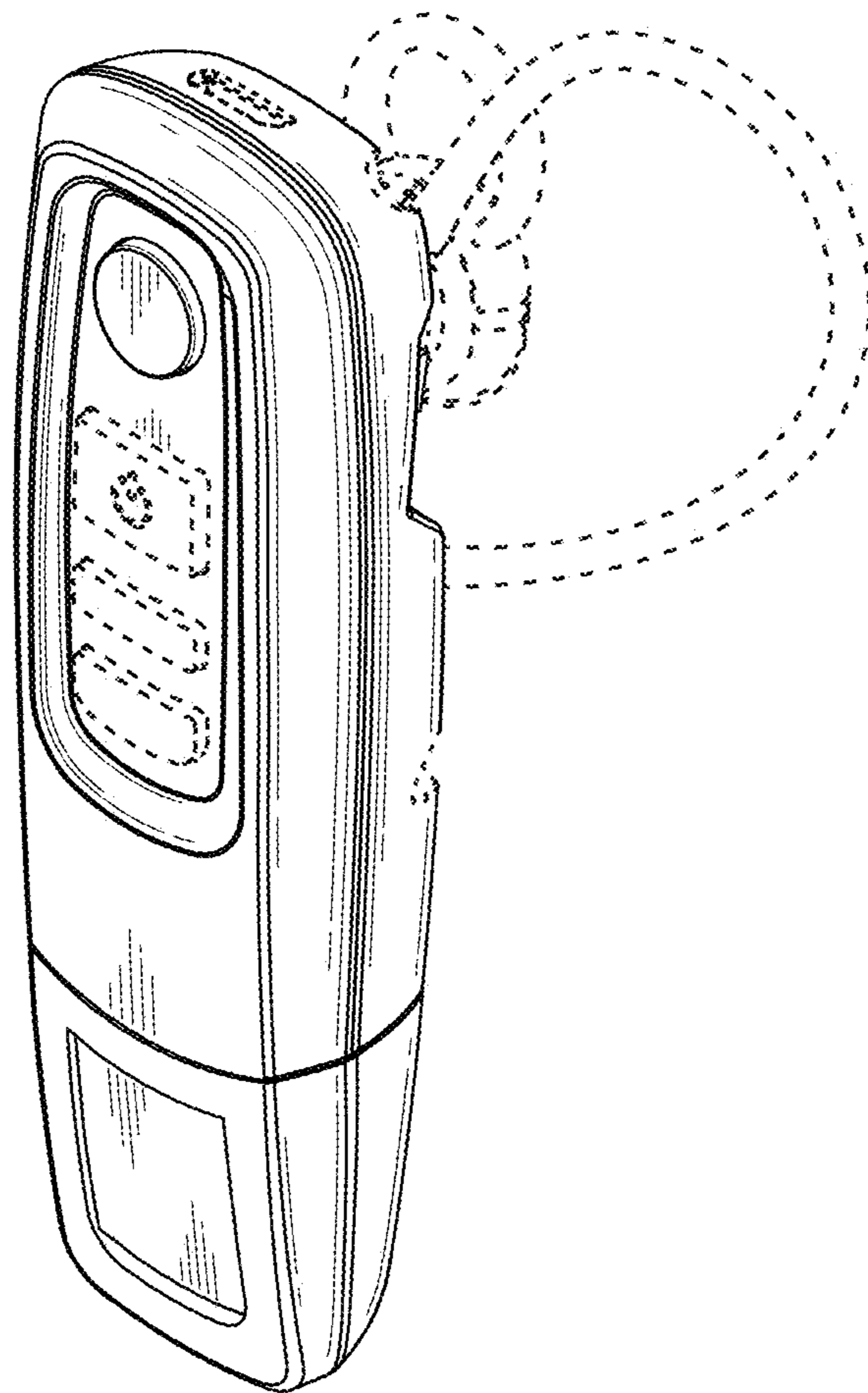


FIG. 1

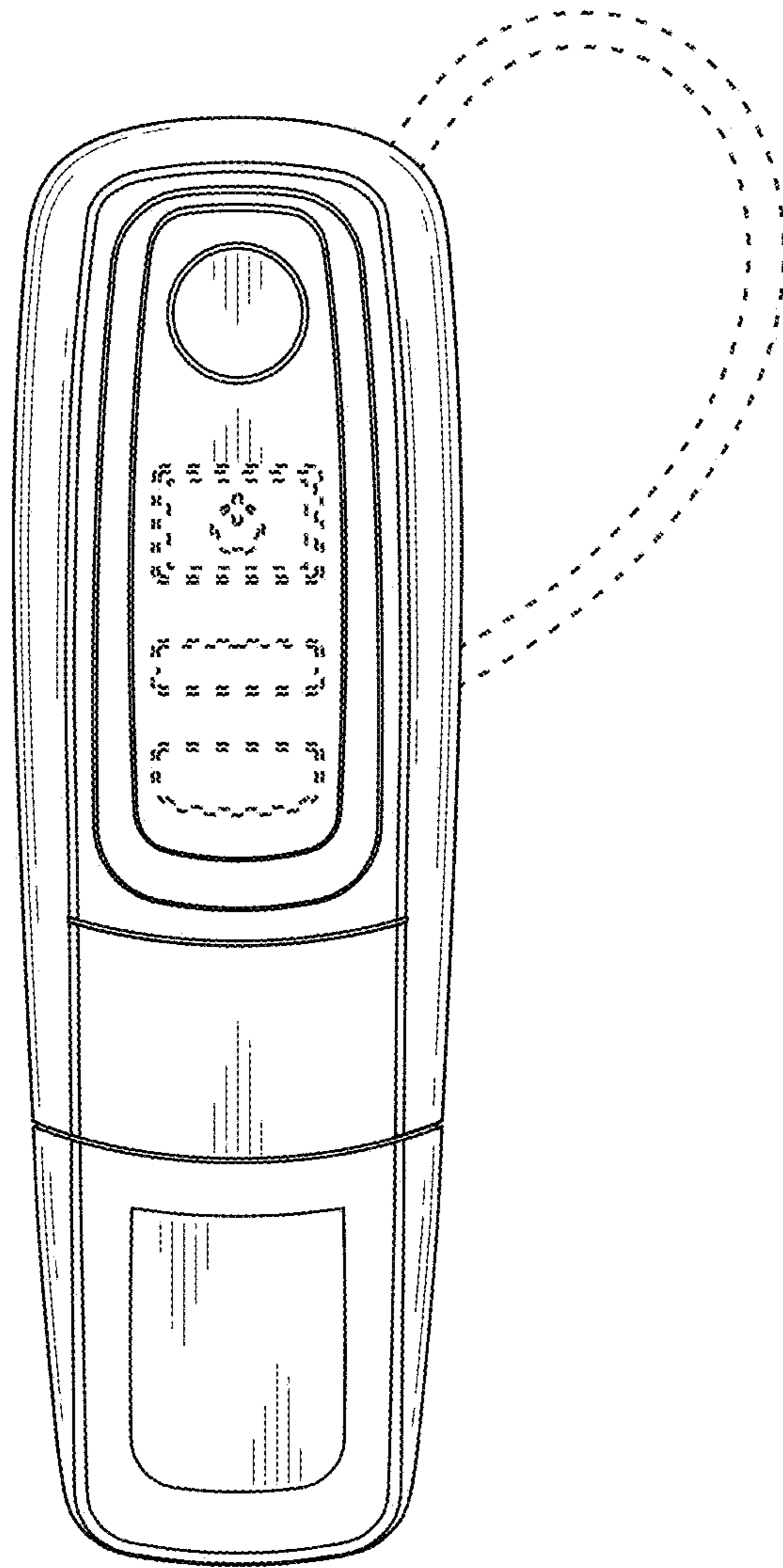


FIG. 2

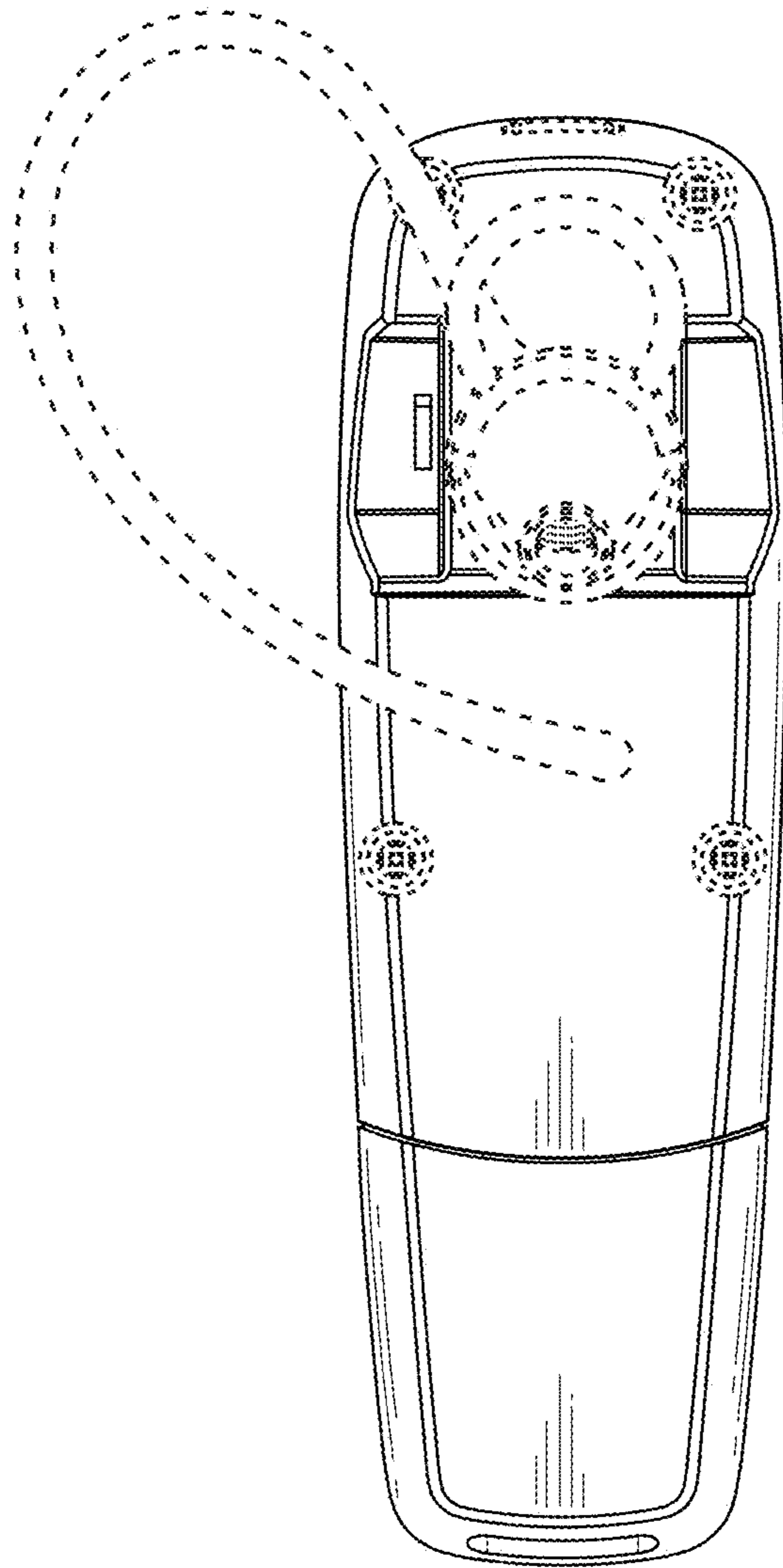


FIG. 3

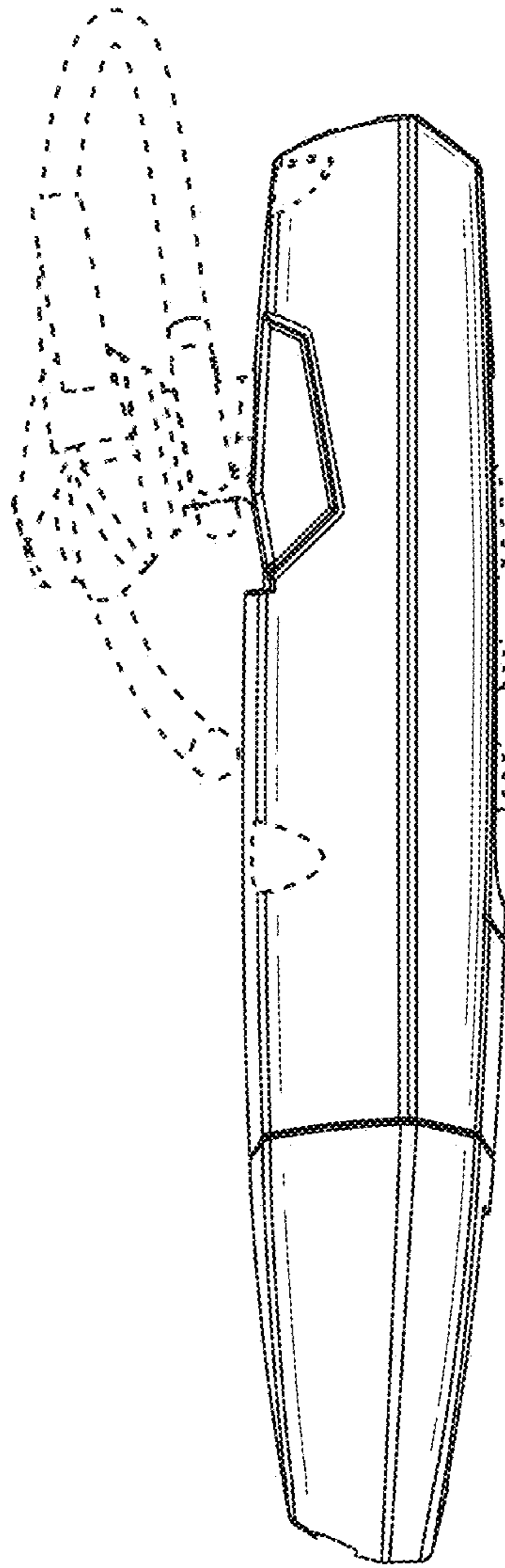


FIG. 4

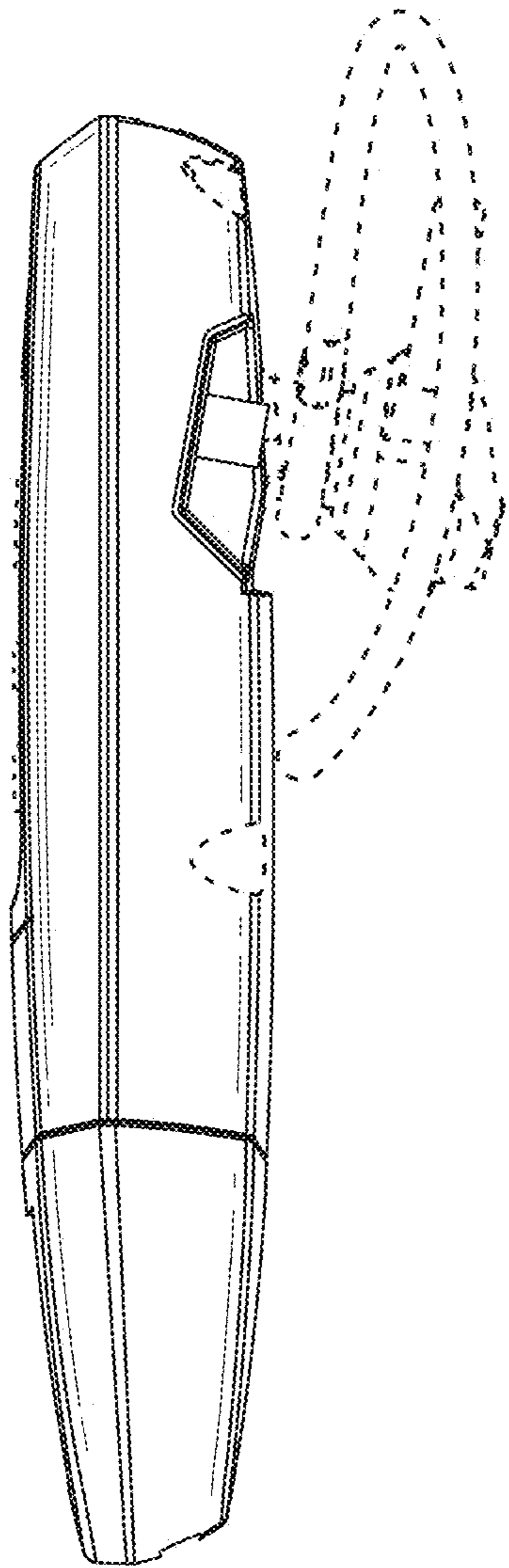


FIG. 5

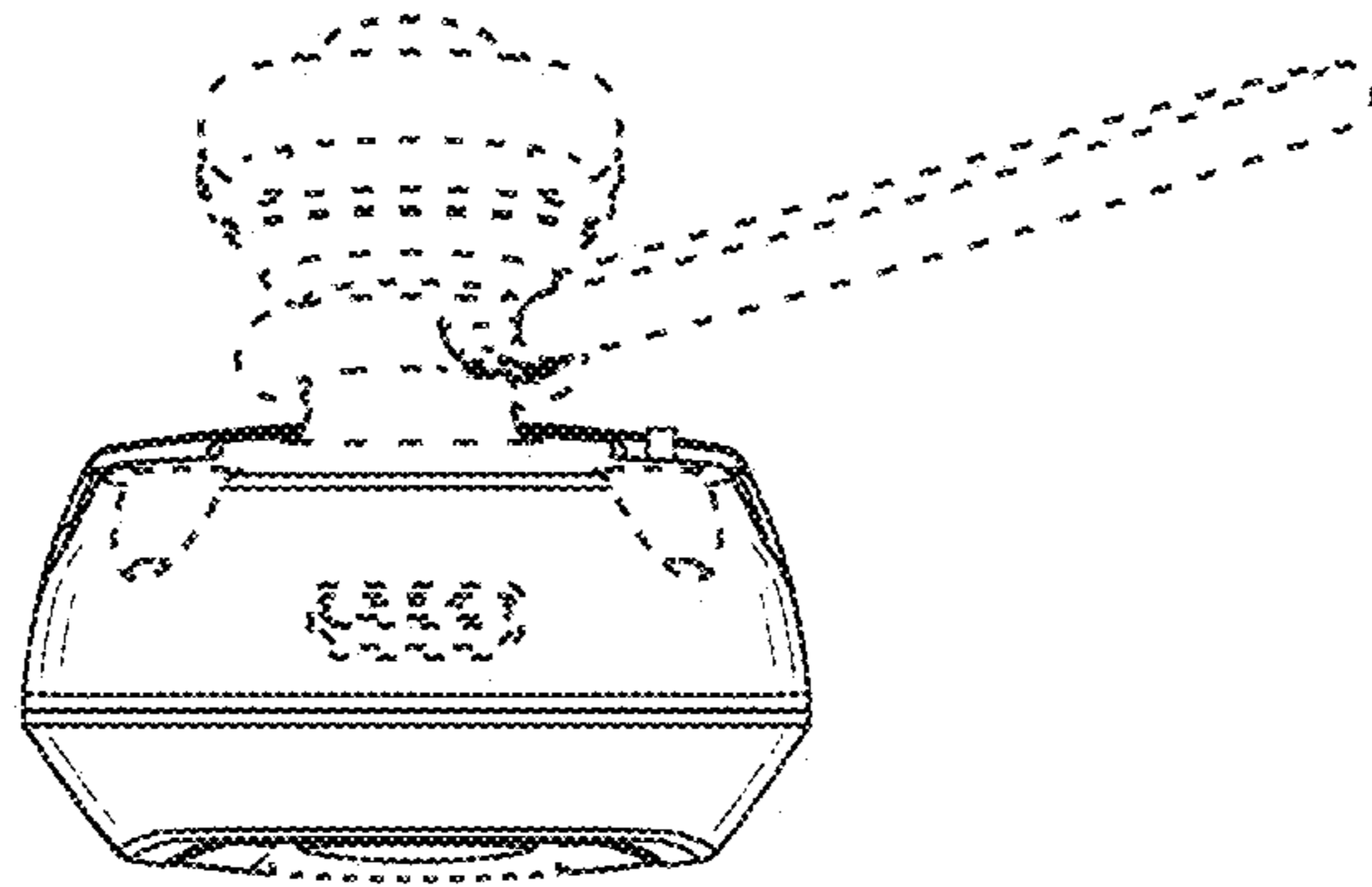


FIG. 6

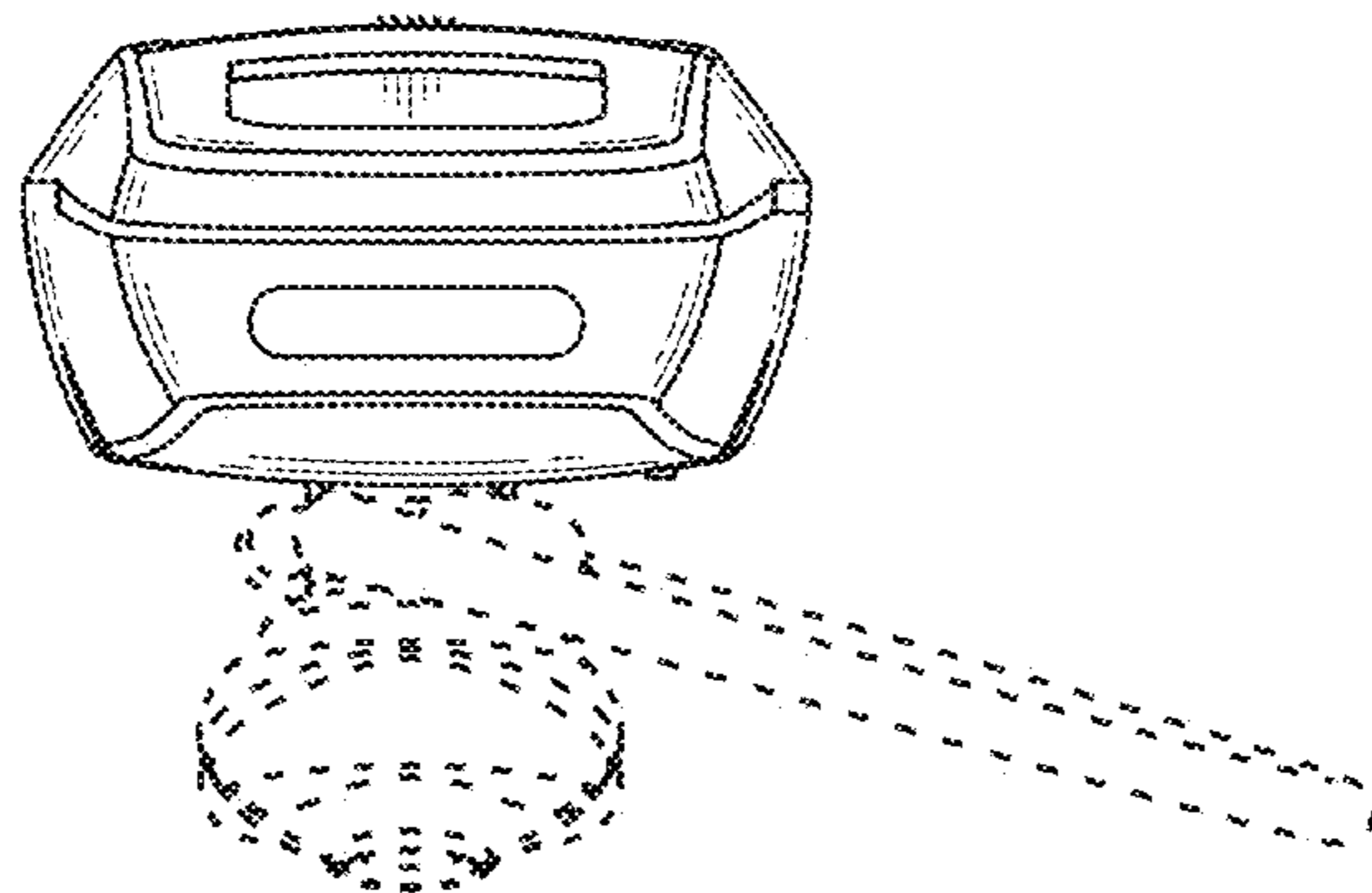


FIG. 7