



US00D900055S

(12) **United States Design Patent**
Shen

(10) **Patent No.:** **US D900,055 S**

(45) **Date of Patent:** **** Oct. 27, 2020**

(54) **RECORD PLAYER**

(71) Applicant: **Xin Shen**, Jiangsu (CN)

(72) Inventor: **Xin Shen**, Jiangsu (CN)

(**) Term: **15 Years**

(21) Appl. No.: **29/737,710**

(22) Filed: **Jun. 11, 2020**

(51) **LOC (12) Cl.** **14-01**

(52) **U.S. Cl.**
USPC **D14/201; D14/202**

(58) **Field of Classification Search**
USPC D14/199–203, 261; 369/264–265
CPC B60R 11/02; B60K 37/04; B60K 37/06;
H04B 1/08; H04B 1/082; G11B 17/16;
G11B 23/00; G11B 19/16; G11B 33/02
See application file for complete search history.

(56) **References Cited**

U.S. PATENT DOCUMENTS

- 2,556,421 A * 6/1951 Gee, Jr. G11B 17/05
369/79
- D186,471 S * 10/1959 Steidinger D14/201
- D201,206 S * 5/1965 Funk D14/201
- 3,268,229 A * 8/1966 Funk G11B 33/02
D14/201

- D229,574 S * 12/1973 Martin D21/516
- D238,394 S * 1/1976 Akazawa D14/202
- D241,574 S * 9/1976 Mukai et al. D14/202
- D247,488 S * 3/1978 Ohtomo D14/202
- D250,333 S * 11/1978 Meunier D14/203
- D279,371 S * 6/1985 Arrington D14/202
- D845,268 S * 4/2019 He D14/202
- D873,235 S * 1/2020 Wang D14/201
- D886,763 S 6/2020 Xin Shen

* cited by examiner

Primary Examiner — Sandra L Morris

(74) *Attorney, Agent, or Firm* — Justin Lampel

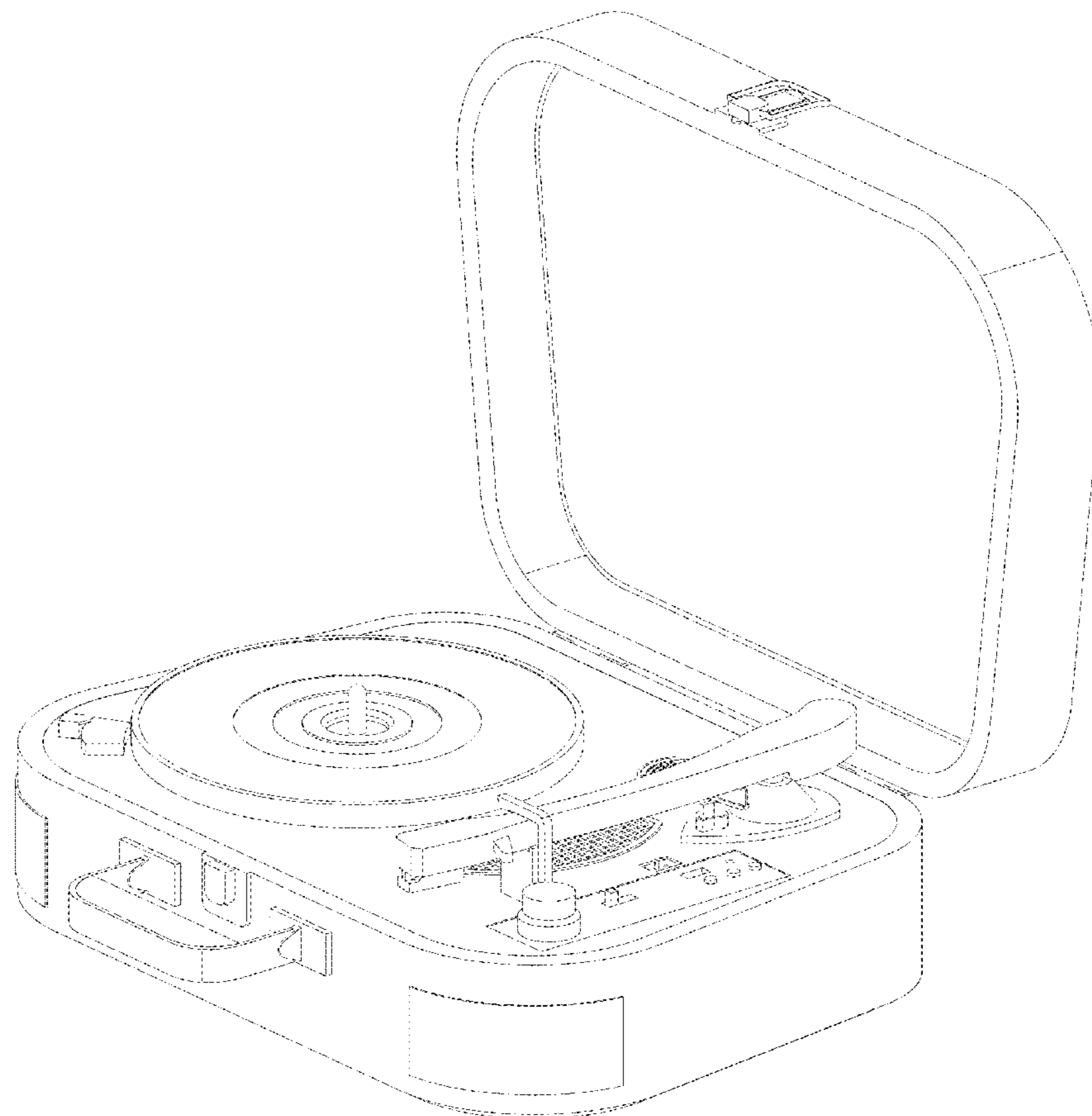
(57) **CLAIM**

The ornamental design for a record player, as shown and described.

DESCRIPTION

FIG. 1 is a perspective view of a record player showing the claimed design;
 FIG. 2 is a top plan view thereof;
 FIG. 3 is a left side view thereof;
 FIG. 4 is a front elevational view thereof;
 FIG. 5 is a right side view thereof;
 FIG. 6 is a rear elevational view thereof; and,
 FIG. 7 is a bottom plan view thereof;
 The broken lines illustrate portions of the record player that form no part of the claimed design.

1 Claim, 7 Drawing Sheets



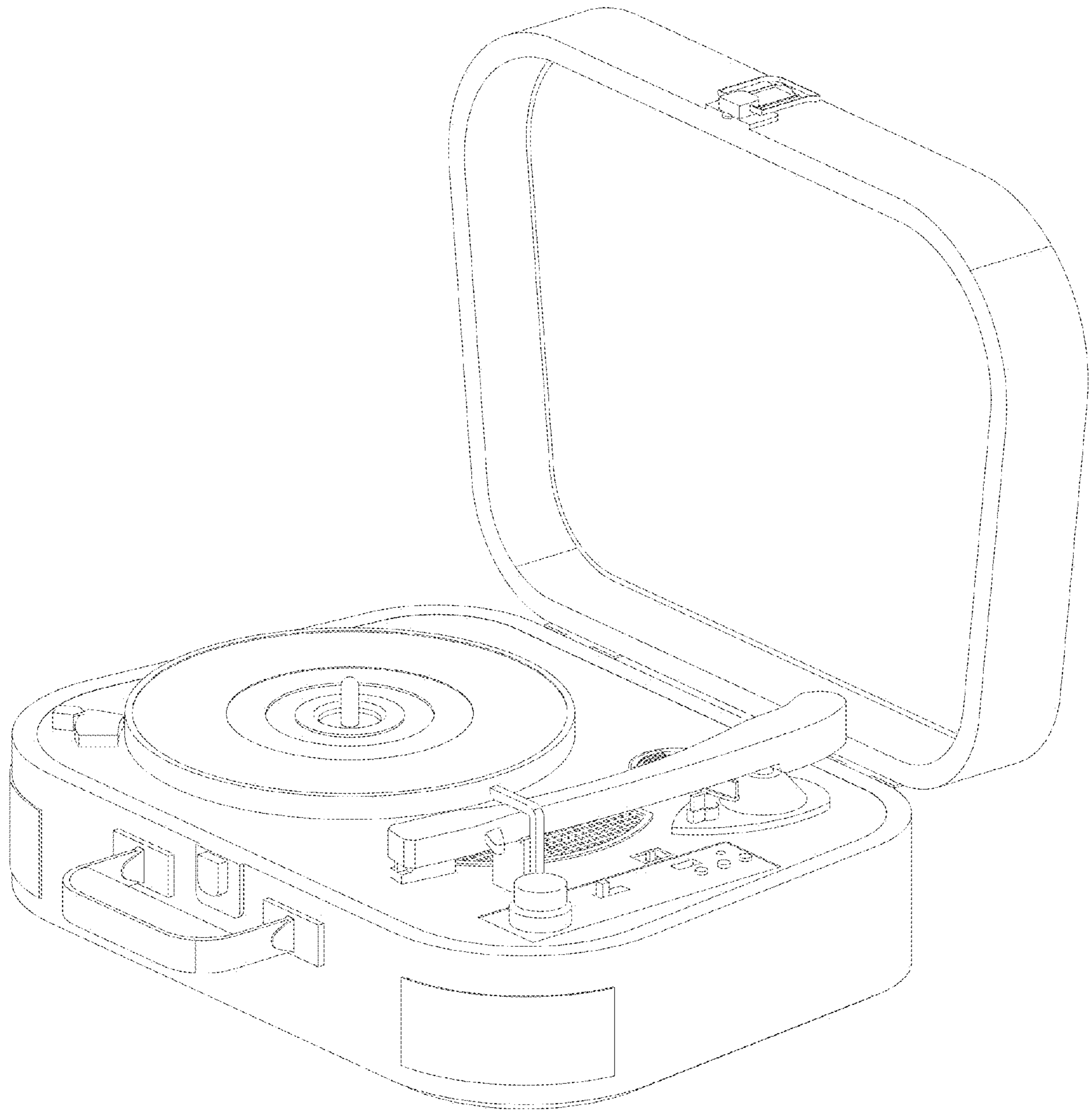


FIG. 1

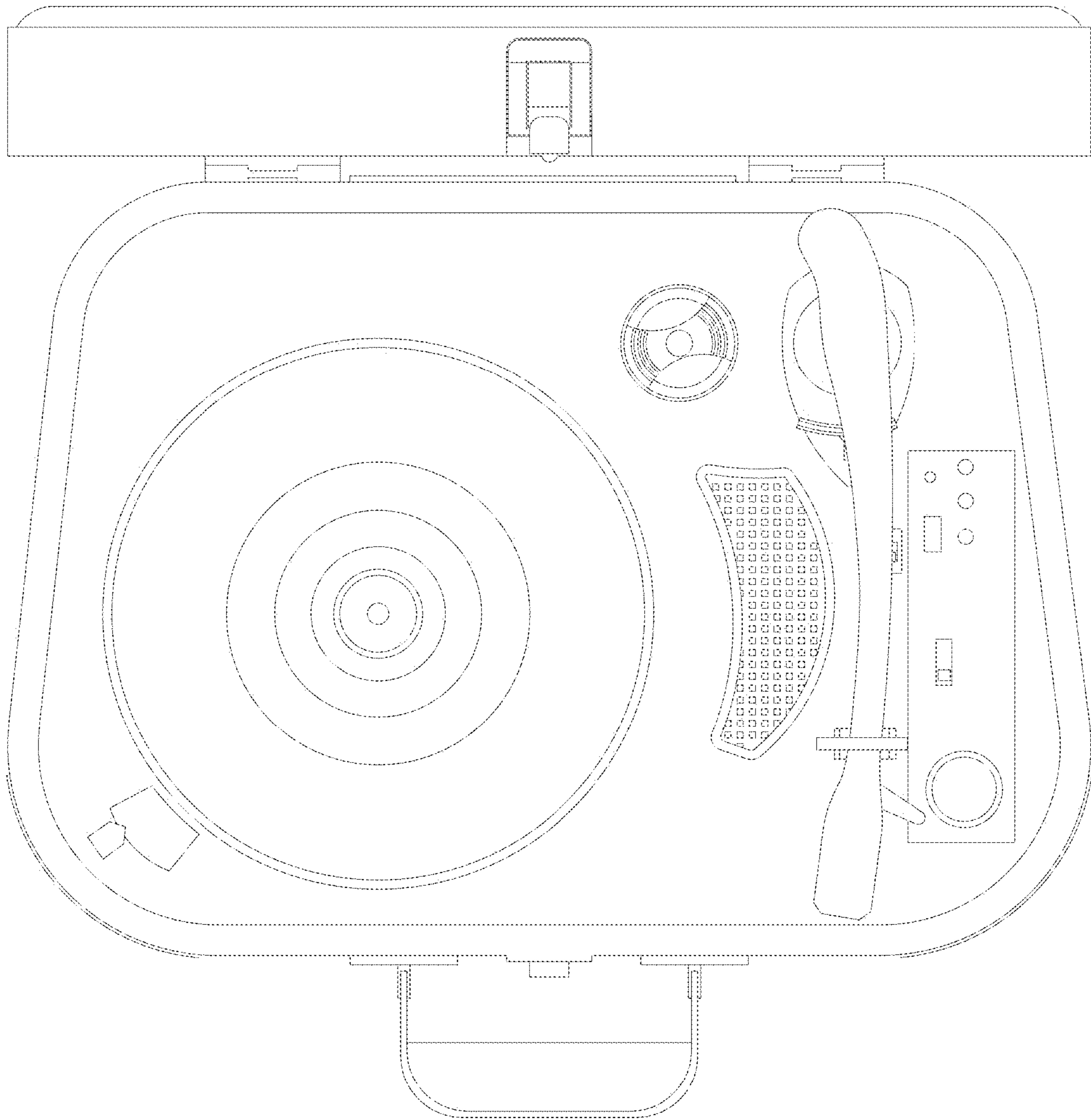


FIG. 2

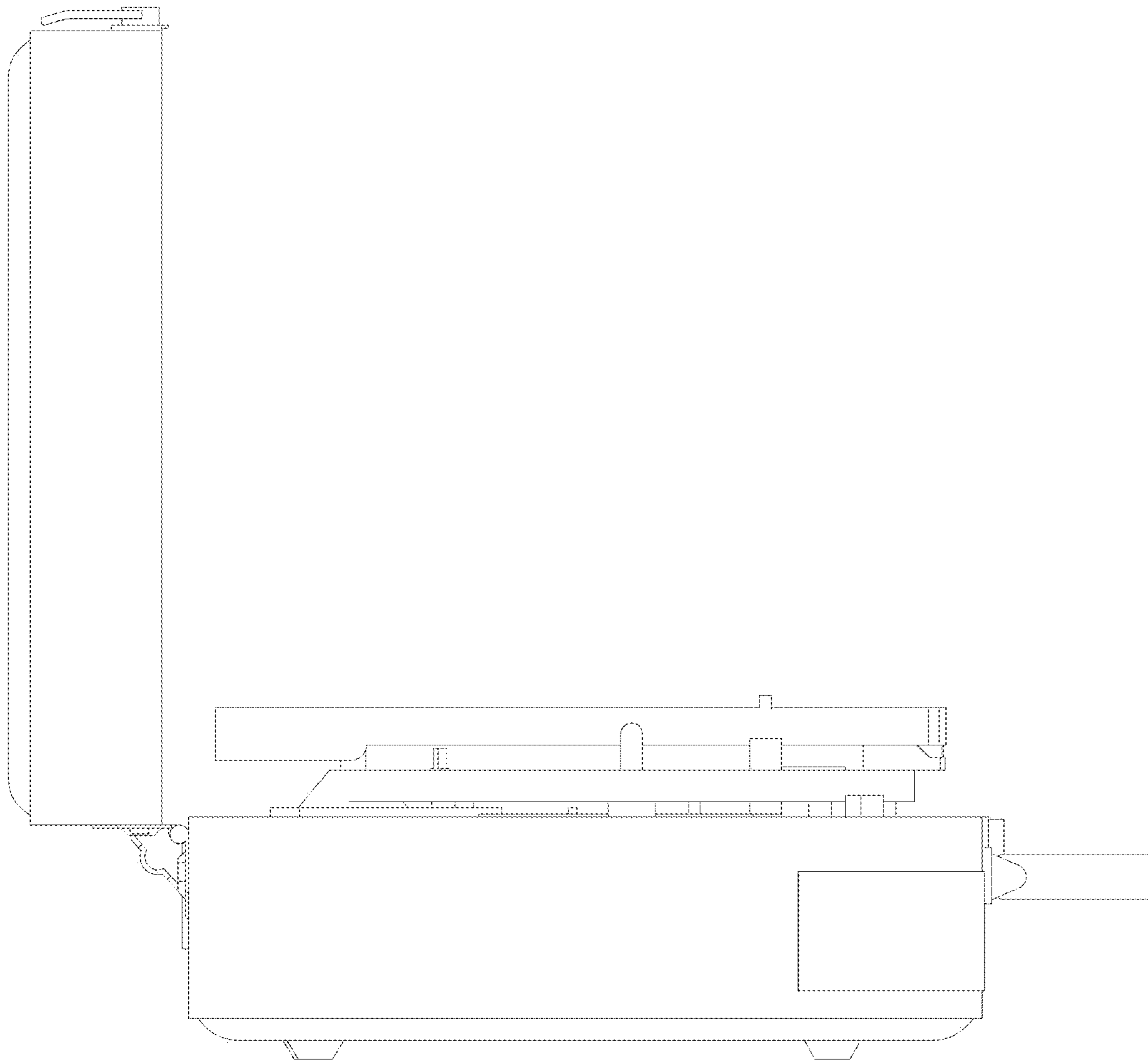


FIG.3

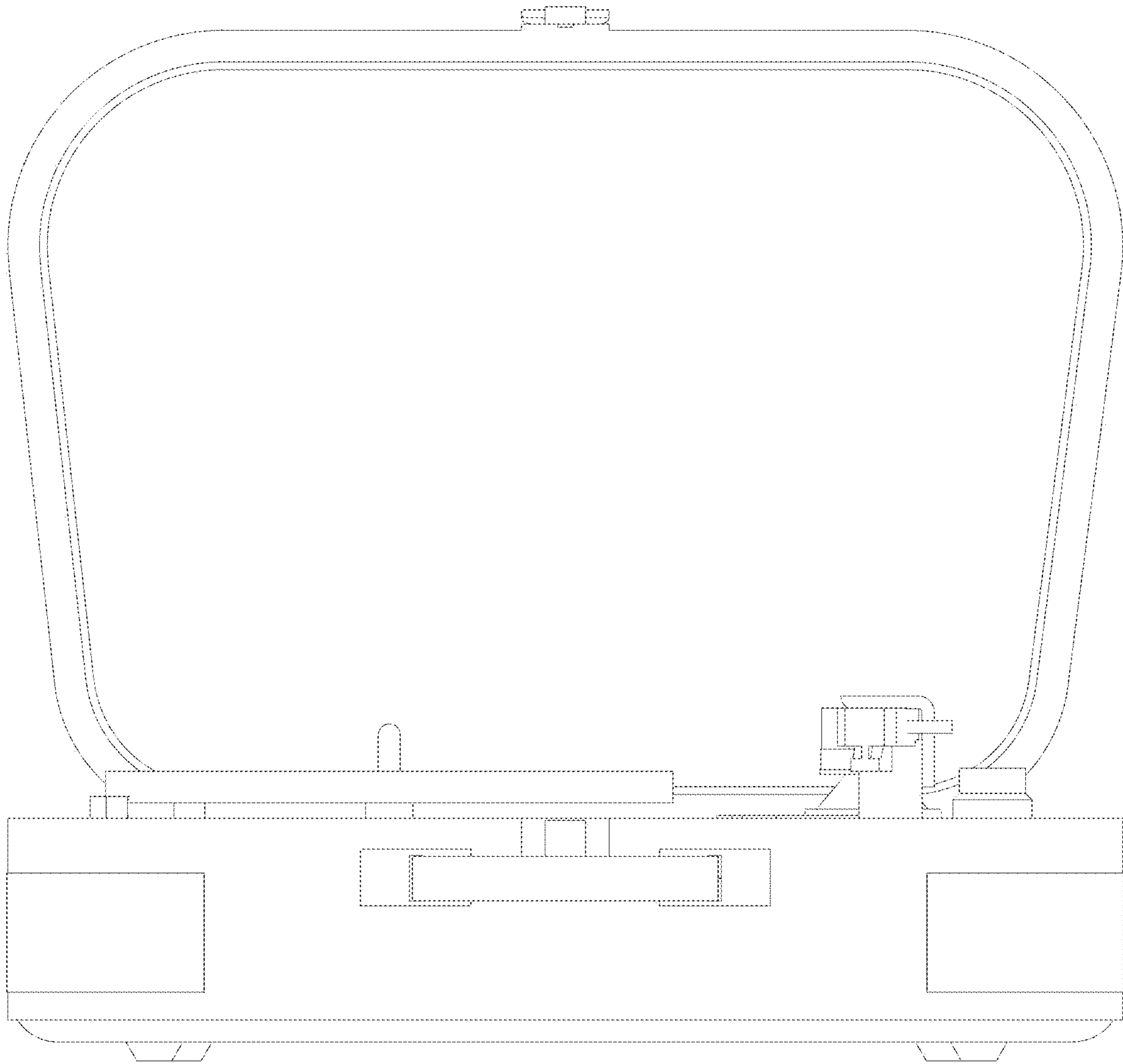


FIG.4

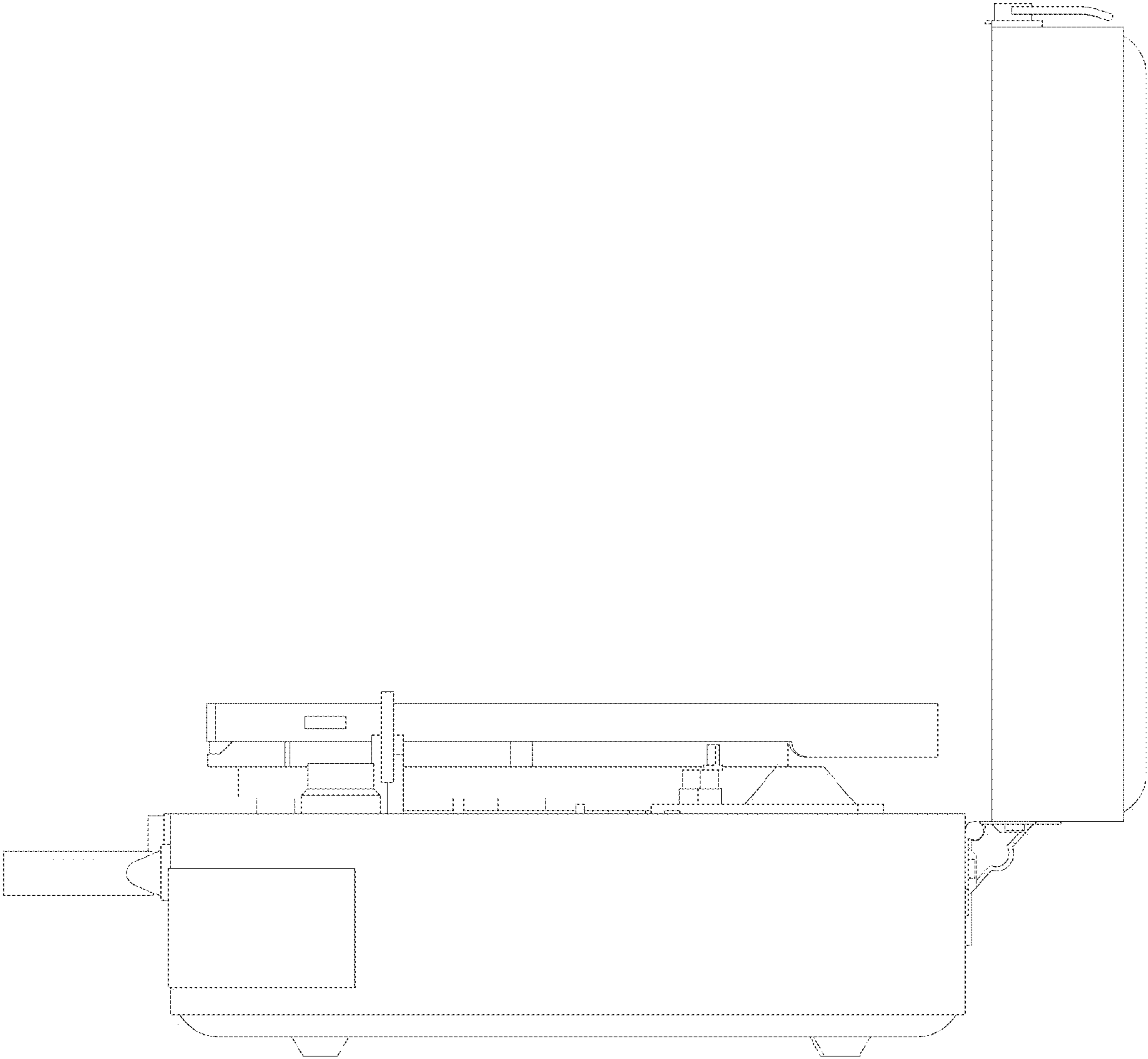


FIG.5

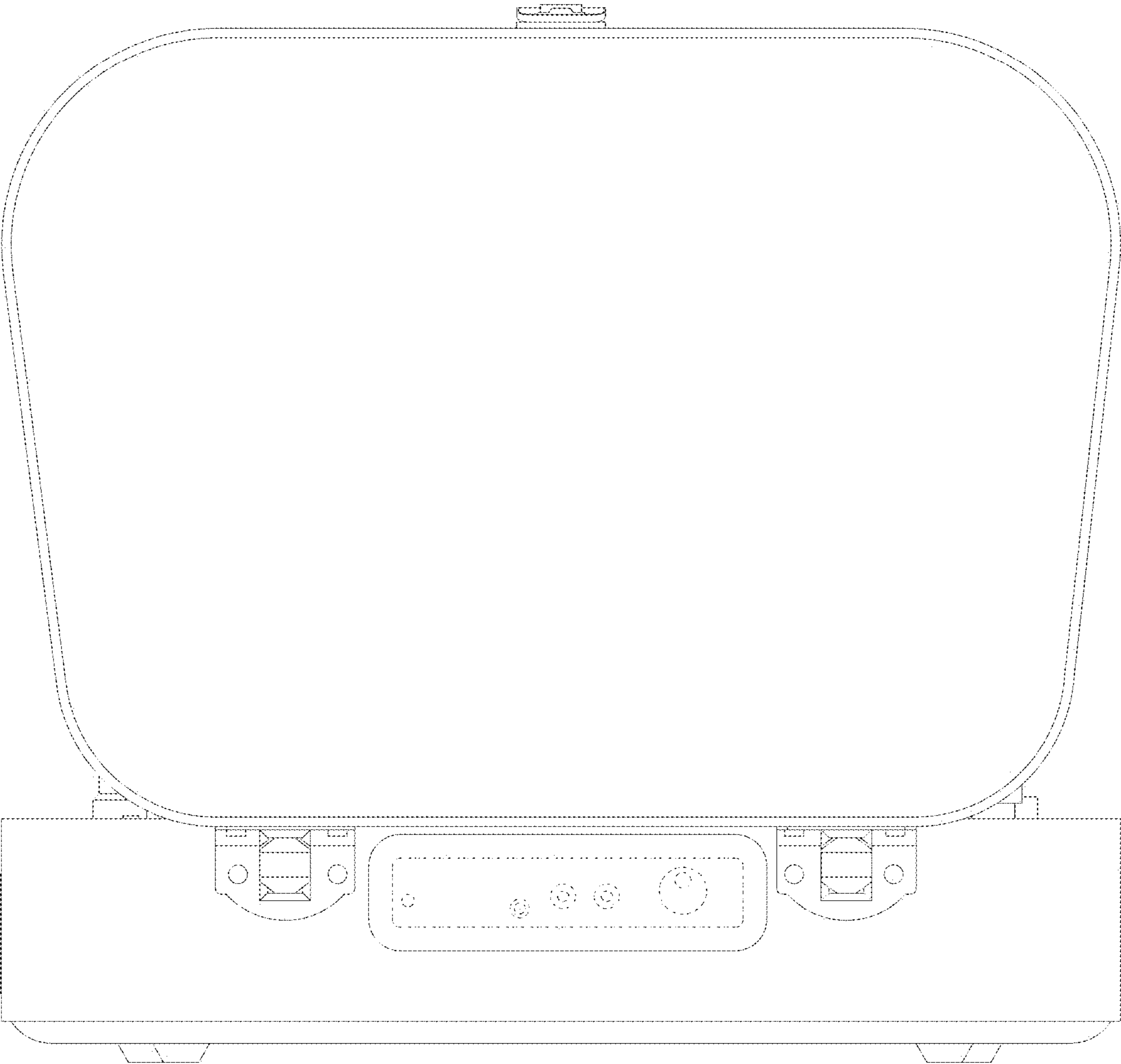


FIG.6



FIG. 7