



US00D900052S

(12) **United States Design Patent** (10) **Patent No.:** **US D900,052 S**  
**Chen** (45) **Date of Patent:** **\*\* Oct. 27, 2020**

(54) **IN-CAR BLUETOOTH TRANSMITTER**

(71) Applicant: **Liangjun Chen**, Shenzhen (CN)

(72) Inventor: **Liangjun Chen**, Shenzhen (CN)

(\*\*) Term: **15 Years**

(21) Appl. No.: **29/691,221**

(22) Filed: **May 14, 2019**

(30) **Foreign Application Priority Data**

Mar. 5, 2019 (CN) ..... 2019 3 0088249

(51) **LOC (12) Cl.** ..... **14-03**

(52) **U.S. Cl.**  
USPC ..... **D14/155**

(58) **Field of Classification Search**  
USPC ..... D14/167, 154, 168, 188, 496, 156, 160,  
D14/161, 162, 163, 164, 165, 158, 341,  
D14/346, 342, 345, 137, 155, 218, 225;  
D16/208; D26/38; 455/351, 350;  
D10/104.1, 106, 65

CPC .... H04B 1/385; H04M 1/6091; H04M 1/6066  
See application file for complete search history.

(56) **References Cited**

U.S. PATENT DOCUMENTS

D795,832 S \* 8/2017 Du ..... D14/155  
D796,470 S \* 9/2017 Du ..... D14/155

D800,685 S \* 10/2017 Xiao ..... D14/155  
D805,496 S \* 12/2017 Yin ..... D14/155  
D808,920 S \* 1/2018 Yin ..... D14/155  
D812,033 S \* 3/2018 Yin ..... D14/155  
D812,034 S \* 3/2018 Du ..... D14/138 R  
D820,803 S \* 6/2018 Hu ..... D14/155  
D840,937 S \* 2/2019 Wang ..... D13/144  
D842,261 S \* 3/2019 Chen ..... D14/155  
D864,144 S \* 10/2019 Du ..... D14/155  
D885,361 S \* 5/2020 Wang ..... D14/155

\* cited by examiner

*Primary Examiner* — Austin Murphy

(74) *Attorney, Agent, or Firm* — Raymond Y. Chan;  
David and Raymond Patent Firm

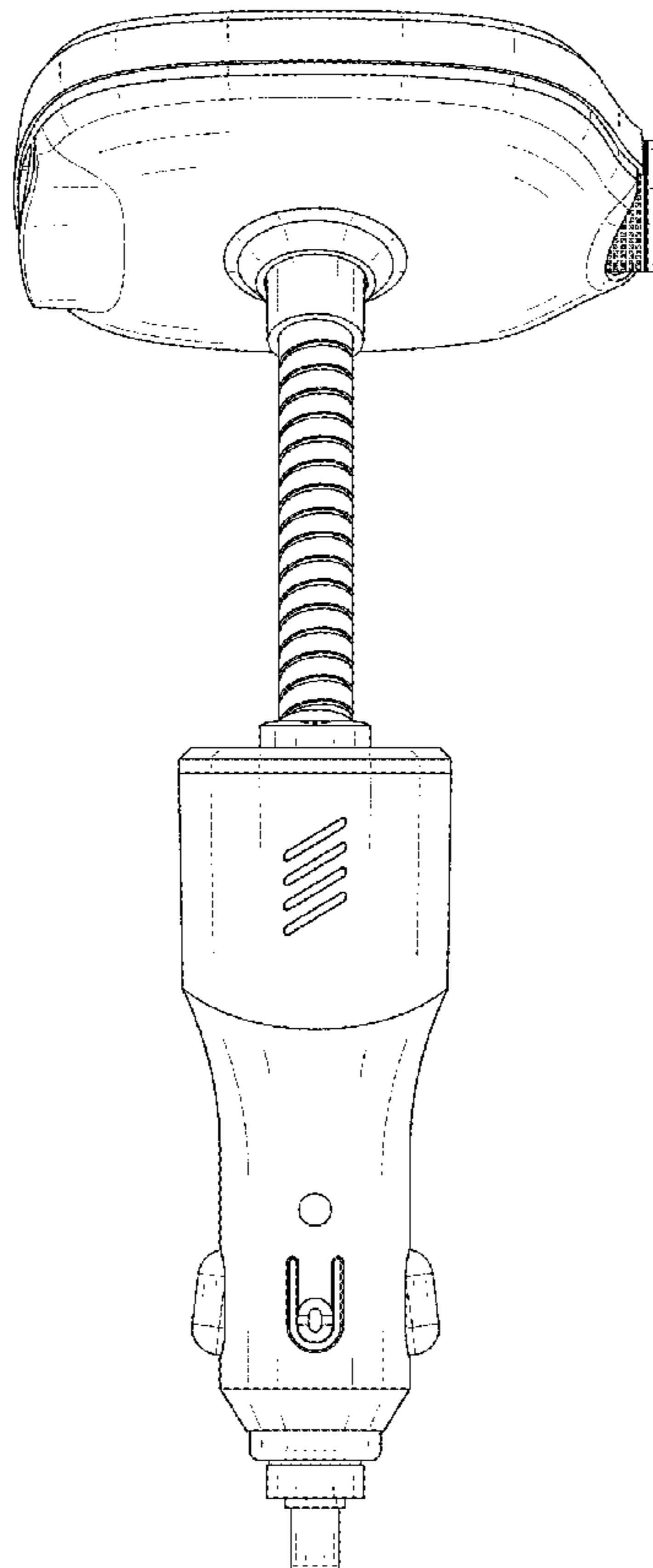
(57) **CLAIM**

The ornamental design for an in-car Bluetooth transmitter,  
as shown and described.

**DESCRIPTION**

FIG. 1 is a perspective view of the in-car Bluetooth trans-  
mitter showing my new design;  
FIG. 2 is a front view thereof;  
FIG. 3 is a rear view thereof;  
FIG. 4 is a left view thereof;  
FIG. 5 is a right view thereof;  
FIG. 6 is a top view thereof; and,  
FIG. 7 is a bottom view thereof.

**1 Claim, 7 Drawing Sheets**



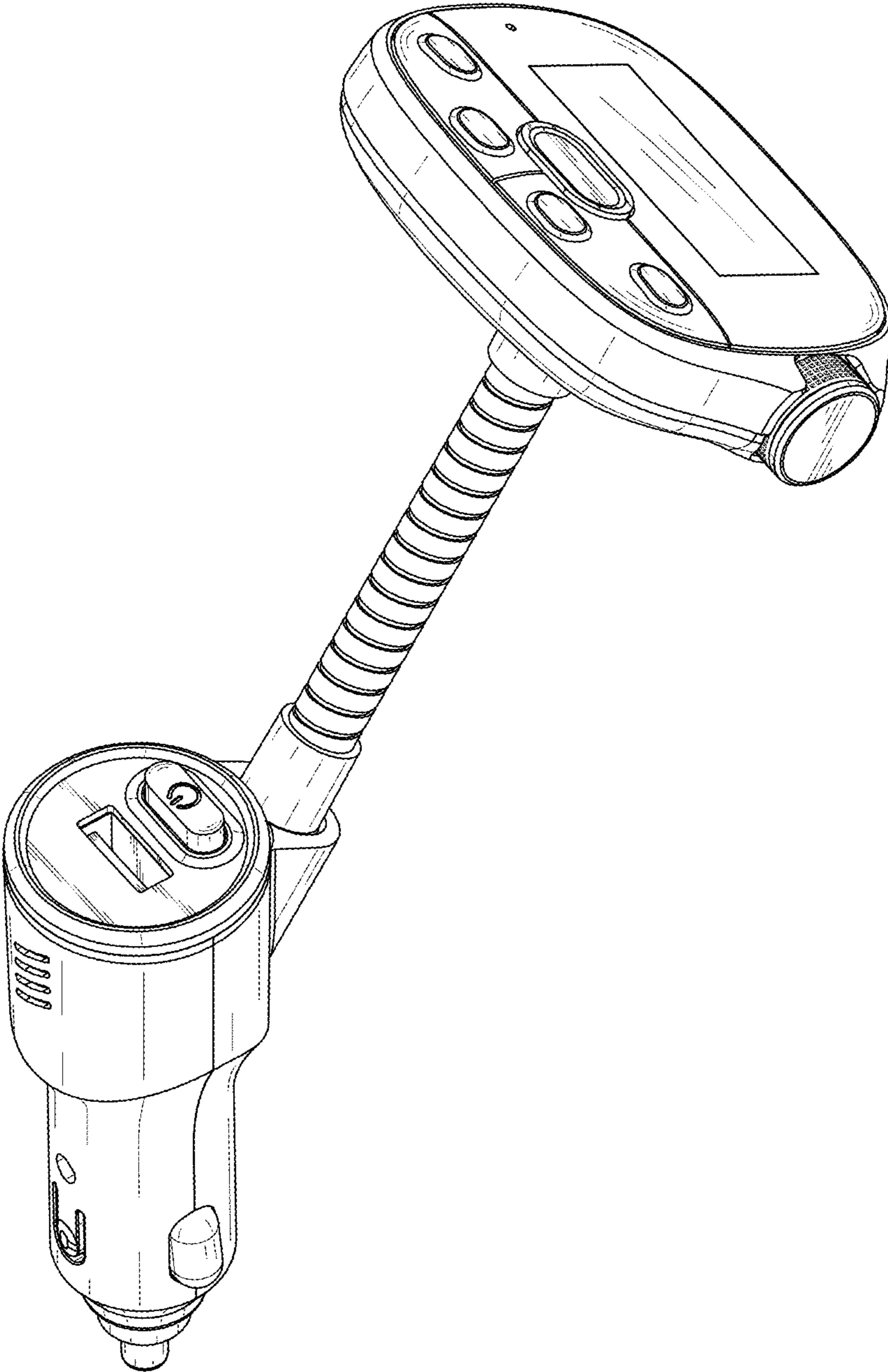


FIG.1

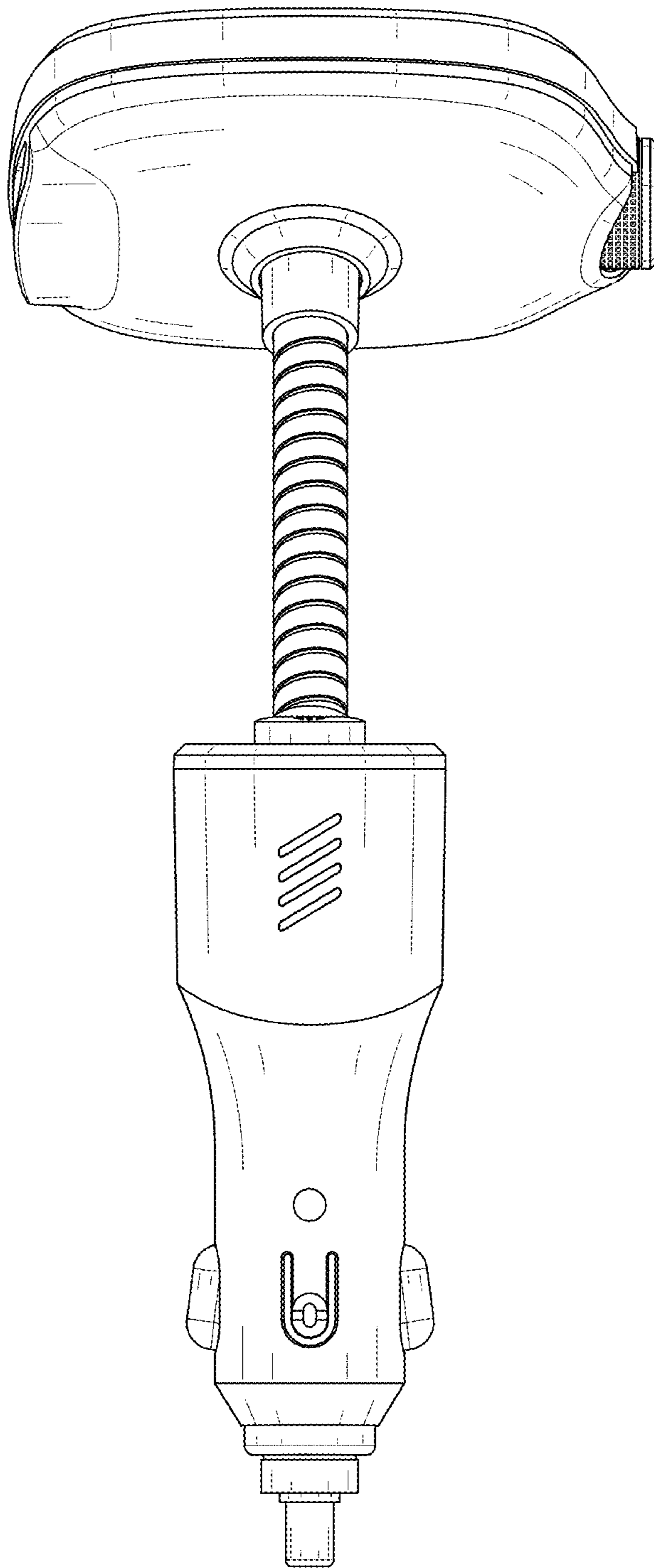


FIG.2

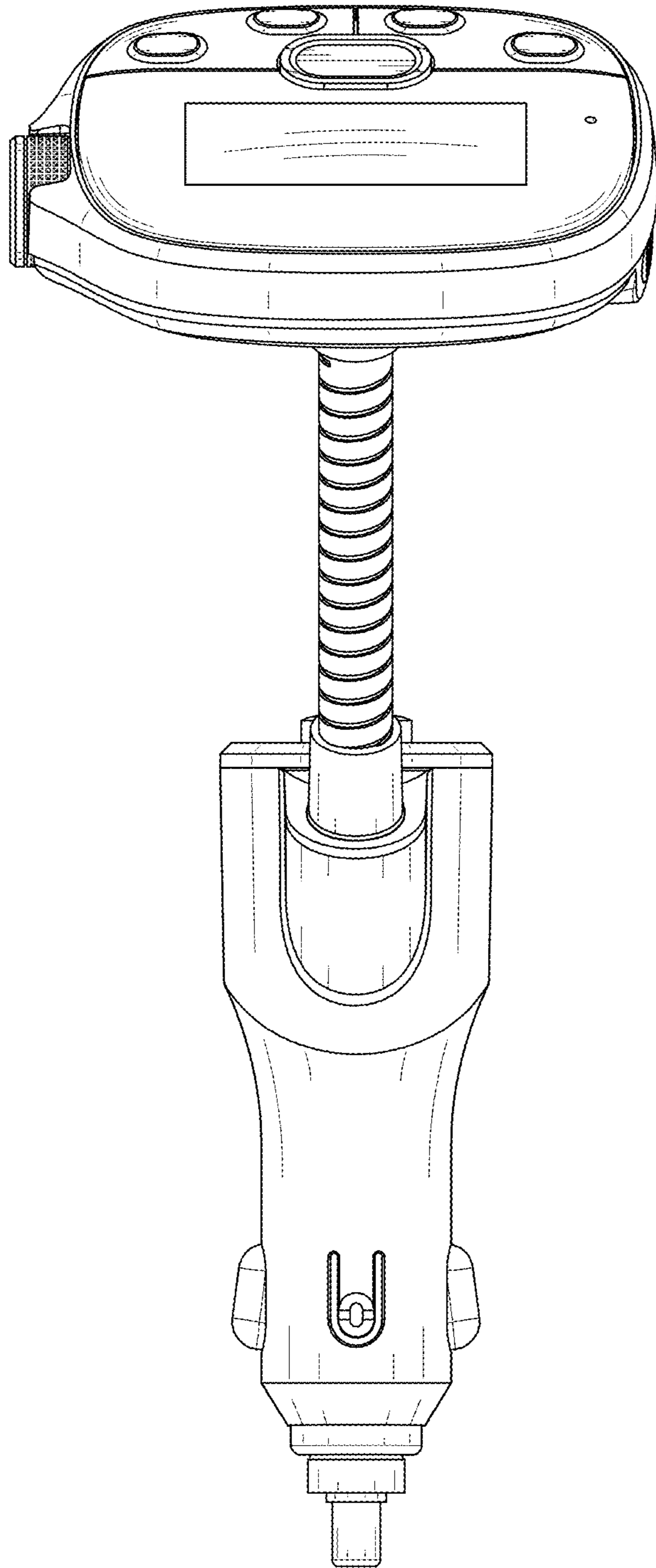


FIG.3

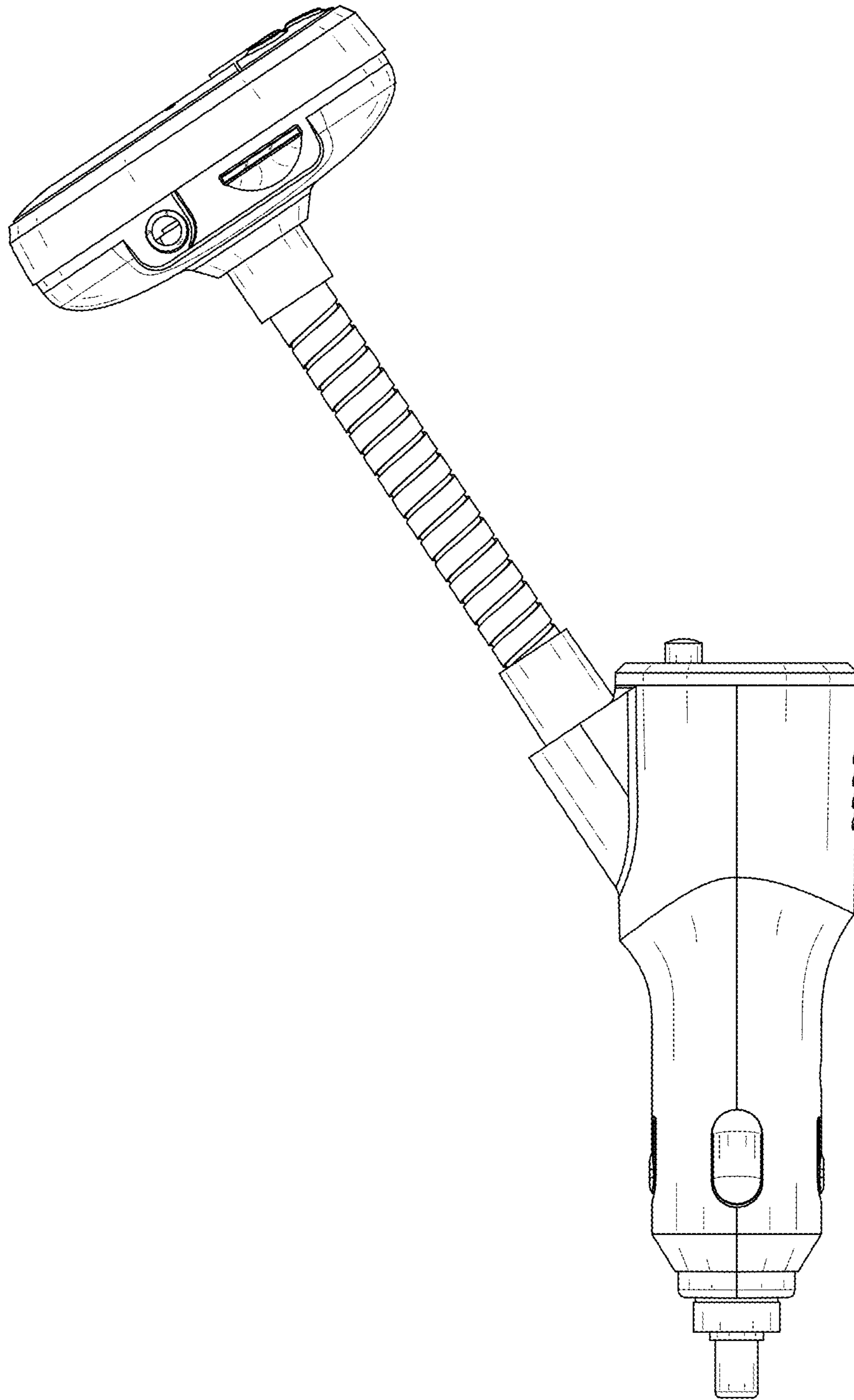


FIG.4



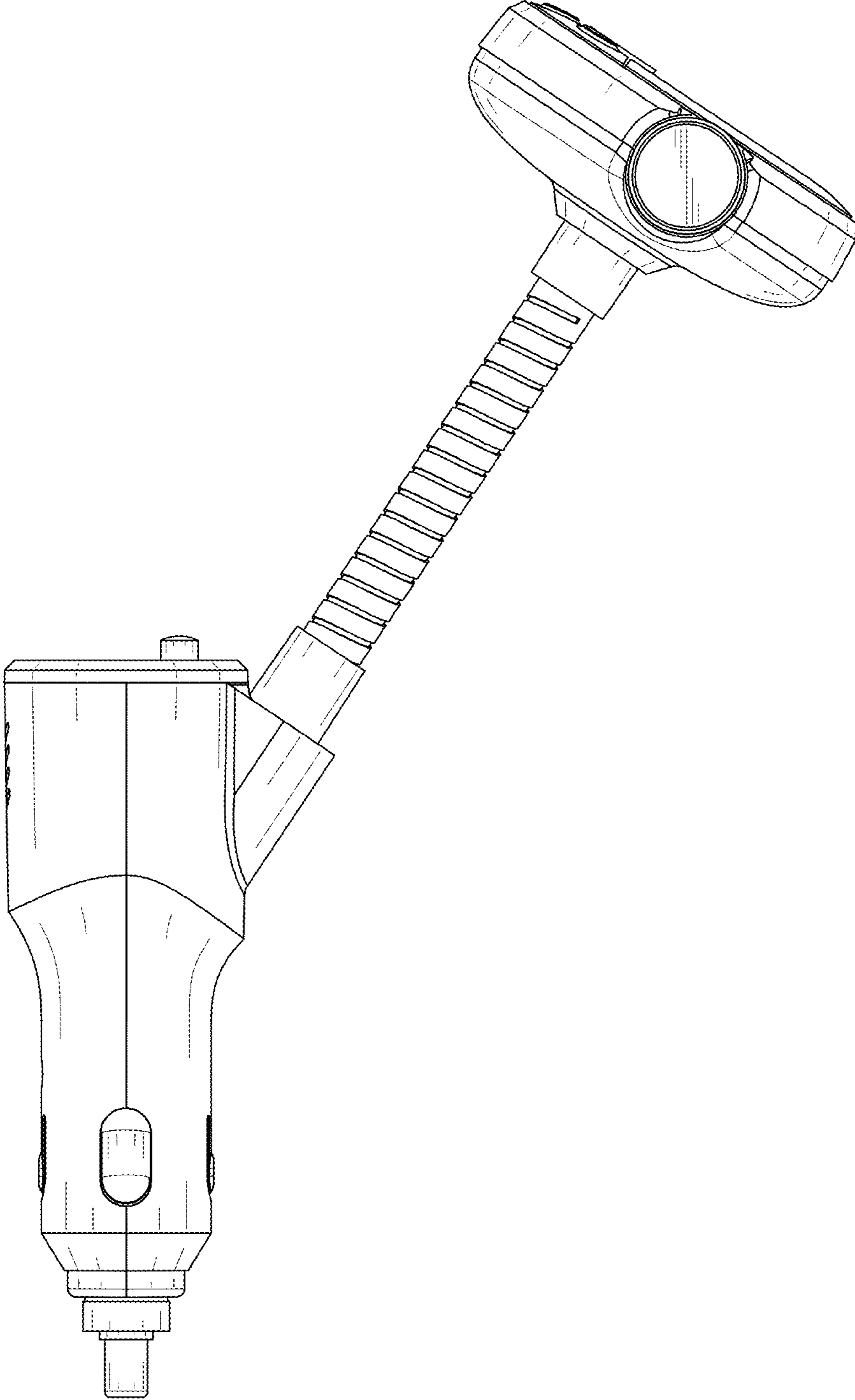


FIG.5

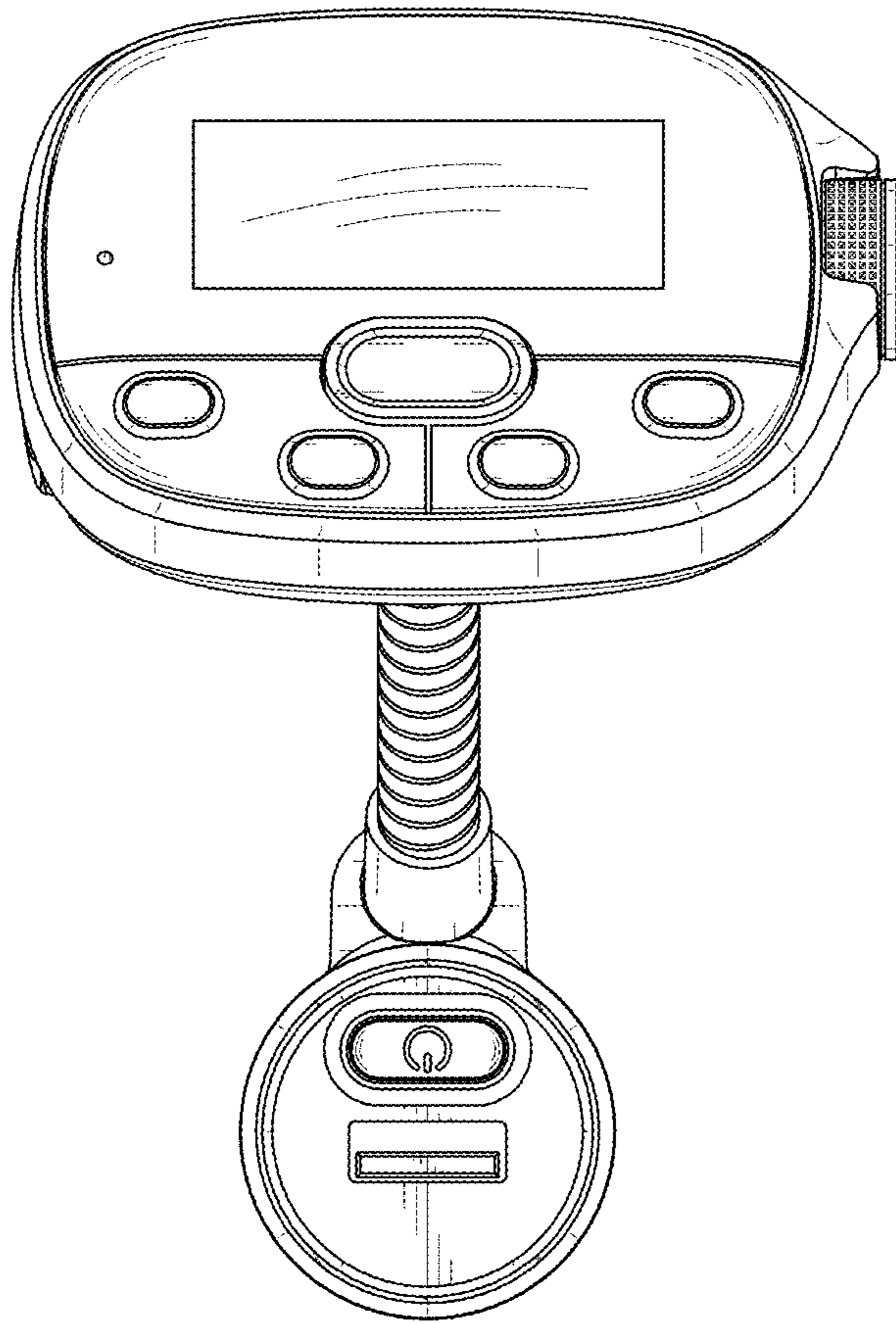


FIG.6

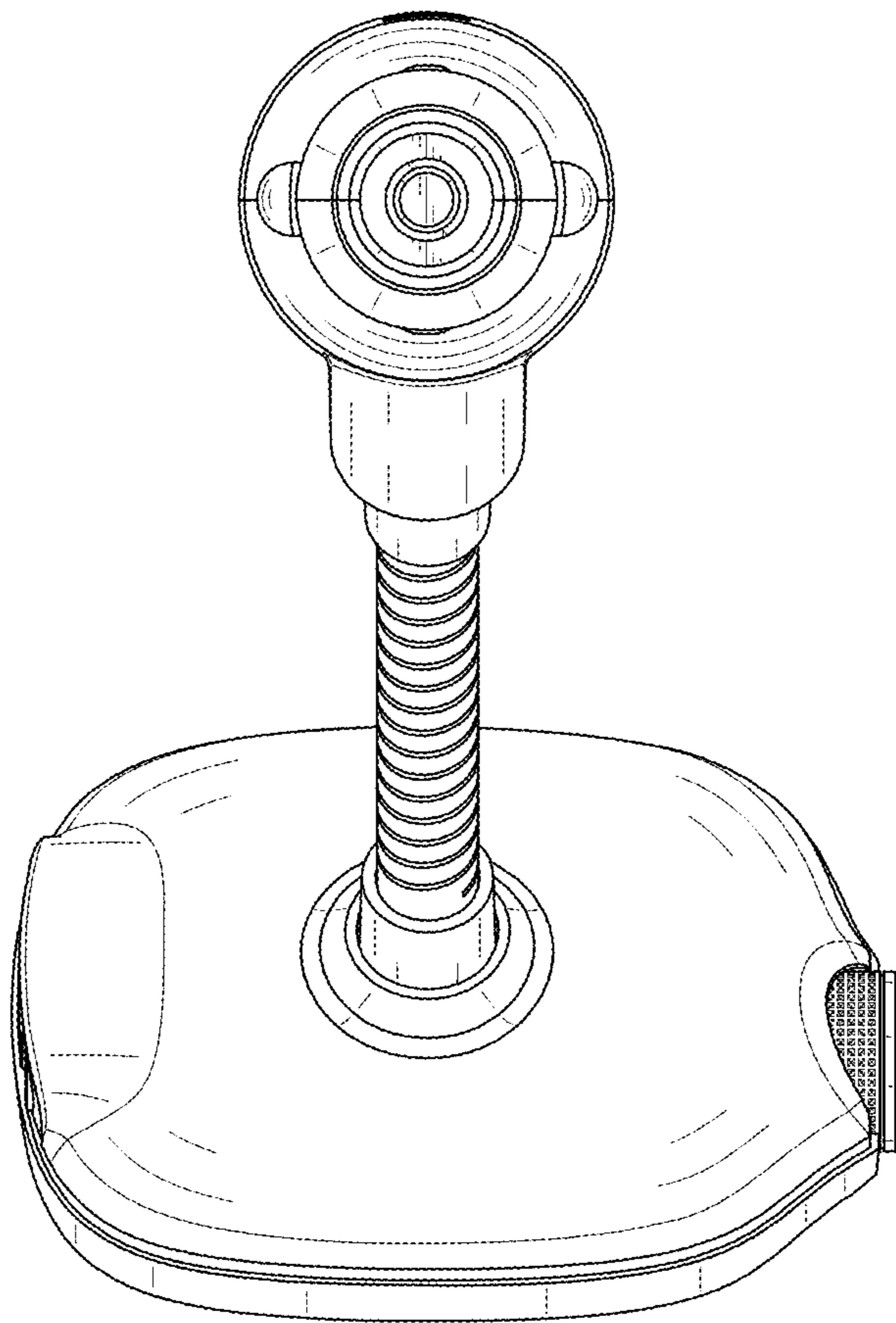


FIG.7