



US00D900051S

(12) **United States Design Patent**
Yang

(10) **Patent No.:** **US D900,051 S**

(45) **Date of Patent:** **** Oct. 27, 2020**

(54) **BASE UNIT FOR A COMMUNICATIONS DEVICE**

(71) Applicant: **Plantronics, Inc.**, Santa Cruz, CA (US)

(72) Inventor: **Joseph W Yang**, San Jose, CA (US)

(73) Assignee: **Plantronics, Inc.**, Santa Cruz, CA (US)

(**) Term: **15 Years**

(21) Appl. No.: **29/663,312**

(22) Filed: **Sep. 13, 2018**

(51) **LOC (12) Cl.** **14-03**

(52) **U.S. Cl.**
USPC **D14/150**

(58) **Field of Classification Search**
USPC ... D14/140, 140.1, 140.7, 140.8, 141.2, 142,
D14/144, 147, 148, 149, 150, 151, 158,
(Continued)

(56) **References Cited**

U.S. PATENT DOCUMENTS

D291,567 S * 8/1987 Read D14/149
D294,694 S * 3/1988 Steward D14/130
(Continued)

FOREIGN PATENT DOCUMENTS

CN 304898860 S 11/2018
TW D176839 S 7/2016

OTHER PUBLICATIONS

Telephone base units. (Design—© Questel) orbit.com. [online PDF]
29 pgs. Print Dates Range from Jun. 6, 2019 through Dec. 24, 2019.
[retrieved Feb. 27, 2020] <https://www.orbit.com/export/QPTUJ214/pdf2/02d0dda1-a3ec-4f02-b777-5b9f67cff02b-164926.pdf>.
(Continued)

Primary Examiner — Marie D. Fast Horse

(57) **CLAIM**

The ornamental design for a base unit for a communications device, as shown and described.

DESCRIPTION

FIG. 1 is a top-front- left perspective view of a base unit for a communications device showing my new design;
FIG. 2 is a back-right perspective view thereof;
FIG. 3 is a front view thereof;
FIG. 4 is a back view thereof;
FIG. 5 is a left-side view thereof;
FIG. 6 is a right-side view thereof;
FIG. 7 is a top view thereof;
FIG. 8 is a bottom view thereof;
FIG. 9 is a top-front- left perspective view of a base unit for a communications device showing a second embodiment of my new design;
FIG. 10 is a back-right perspective view thereof;
FIG. 11 is a front view thereof;
FIG. 12 is a back view thereof;
FIG. 13 is a left-side view thereof;
FIG. 14 is a right-side view thereof;
FIG. 15 is a top view thereof;
FIG. 16 is a bottom view thereof;
FIG. 17 is a top-front- left perspective view of a base unit for a communications device showing a third embodiment of my new design;
FIG. 18 is a back-right perspective view thereof;
FIG. 19 is a front view thereof;
FIG. 20 is a back view thereof;
FIG. 21 is a left-side view thereof;
FIG. 22 is a right-side view thereof;
FIG. 23 is a top view thereof;
FIG. 24 is a bottom view thereof;
FIG. 25 is a top-front- left perspective view of a base unit for a communications device showing a fourth embodiment of my new design;
FIG. 26 is a back-right perspective view thereof;
FIG. 27 is a front view thereof;
FIG. 28 is a back view thereof;
FIG. 29 is a left-side view thereof;
FIG. 30 is a right-side view thereof;
FIG. 31 is a top view thereof; and,

(Continued)

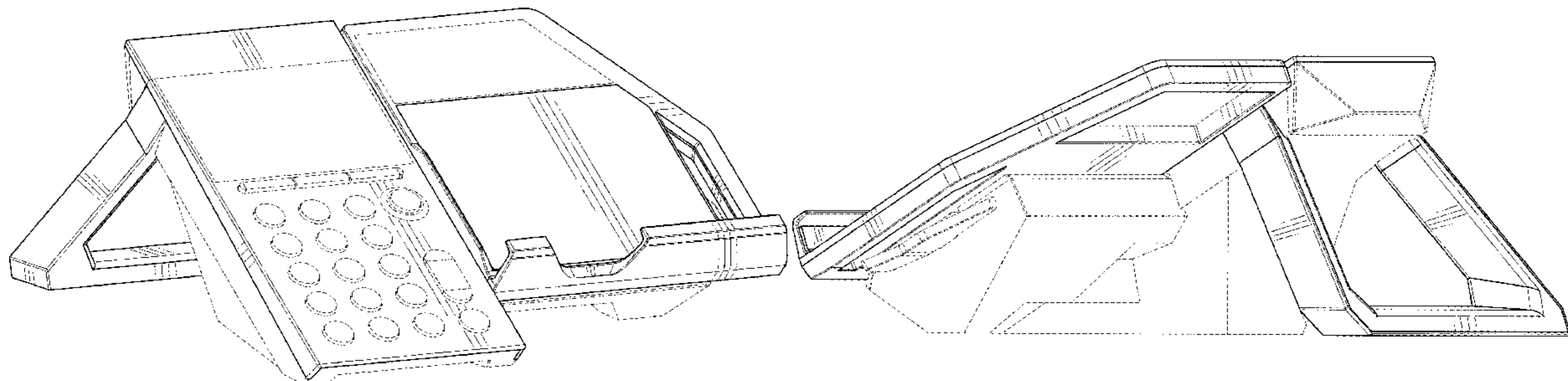


FIG. 32 is a bottom view thereof.

The broken lines shown in dot-dot form depict portions of the base unit for a communications device that form no part of the claimed design.

The broken lines shown in dot-dot-dash form in FIGS. 26 and 28 on the back of the headset cradle define the scope or bounds of the claimed portion of the design.

1 Claim, 32 Drawing Sheets

(58) **Field of Classification Search**

USPC D14/159, 188, 217, 240, 243, 247, 248,
D14/251, 299, 329, 462, 467, 471, 130,
D14/403, 338, 336, 223, 224, 434;
D21/517; D24/165; D13/107, 108
CPC H04M 1/00; H04M 1/003; H04M 1/02;
H04M 1/0289; H04M 1/0297; H04M
1/0214; H04M 1/03; H04M 1/23; H04M
1/253; H04M 1/2535; H04M 1/06; H04M
1/08; H04M 1/04; H04M 1/0202; H04M
7/006; G06F 1/1632

See application file for complete search history.

(56) **References Cited**

U.S. PATENT DOCUMENTS

D301,475 S * 6/1989 Nagele D14/142
D303,522 S * 9/1989 Meda D14/150
D303,965 S * 10/1989 Helstab D14/142
D305,537 S * 1/1990 Gilmore D14/142
D307,009 S * 4/1990 Boykiw D14/149
D317,446 S * 6/1991 Vossoughi D14/374
D322,777 S * 12/1991 Nishio D14/314
D323,657 S * 2/1992 Danielson 379/368
D365,560 S * 12/1995 Buchin D14/151
D426,816 S * 6/2000 Lucente D14/336
D520,983 S * 5/2006 Siebke D14/144
D529,477 S * 10/2006 Hsu D14/151
D555,630 S * 11/2007 Udagawa D14/149
D556,180 S * 11/2007 Udagawa D14/149

D565,020 S * 3/2008 Daly D14/149
D576,998 S * 9/2008 Furuno D14/151
D581,897 S * 12/2008 Katori D14/151
D585,398 S 1/2009 Hwang
D597,057 S * 7/2009 Sheppard D14/142
D597,058 S * 7/2009 Sheppard D14/142
D598,002 S * 8/2009 Sheppard D14/142
D609,662 S * 2/2010 Noreng D14/130
D609,686 S * 2/2010 Robinson D14/149
D615,515 S * 5/2010 Hwang D14/130
D616,843 S * 6/2010 Jones D14/130
D620,464 S * 7/2010 Quiros D14/130
D629,381 S * 12/2010 Verthein D14/142
D643,825 S * 8/2011 Hwang D14/130
D675,592 S * 2/2013 Fuxen D14/151
D676,016 S * 2/2013 Akatsu D14/142
D686,183 S * 7/2013 Basart D14/151
D686,184 S * 7/2013 Takahata D14/151
D738,845 S * 9/2015 Kwak D14/151
D739,373 S * 9/2015 Hillenmayer D14/144
D757,677 S * 5/2016 Hutt D14/151
D767,527 S * 9/2016 Hillenmayer D14/140.8
D772,836 S * 11/2016 Engelke D14/151
9,548,617 B2 * 1/2017 Toh H04M 1/04
D784,283 S * 4/2017 Snyder D14/144
D785,591 S * 5/2017 Kwak D14/151
9,762,709 B1 * 9/2017 Snyder H04M 1/02
10,455,067 B1 * 10/2019 Meyberg Guzman .. H04M 1/04
D874,422 S * 2/2020 Yang D14/150
2009/0283655 A1 * 11/2009 Fukuda F16M 11/10
248/454
2009/0309002 A1 * 12/2009 Shimotoso H04M 1/12
248/397
2014/0064477 A1 * 3/2014 Chiang H04M 1/06
379/436
2019/0281147 A1 * 9/2019 Sherburne H04M 1/04

OTHER PUBLICATIONS

Yang, "Base Unit for a Communications Device," Design U.S. Appl. No. 29/639,459, filed Mar. 6, 2018 (20 pages).
Taiwan IPO Search Report issued for Taiwan Design Patent No. 108301390, dated Sep. 11, 2019 and English translation thereof (2 pages).

* cited by examiner

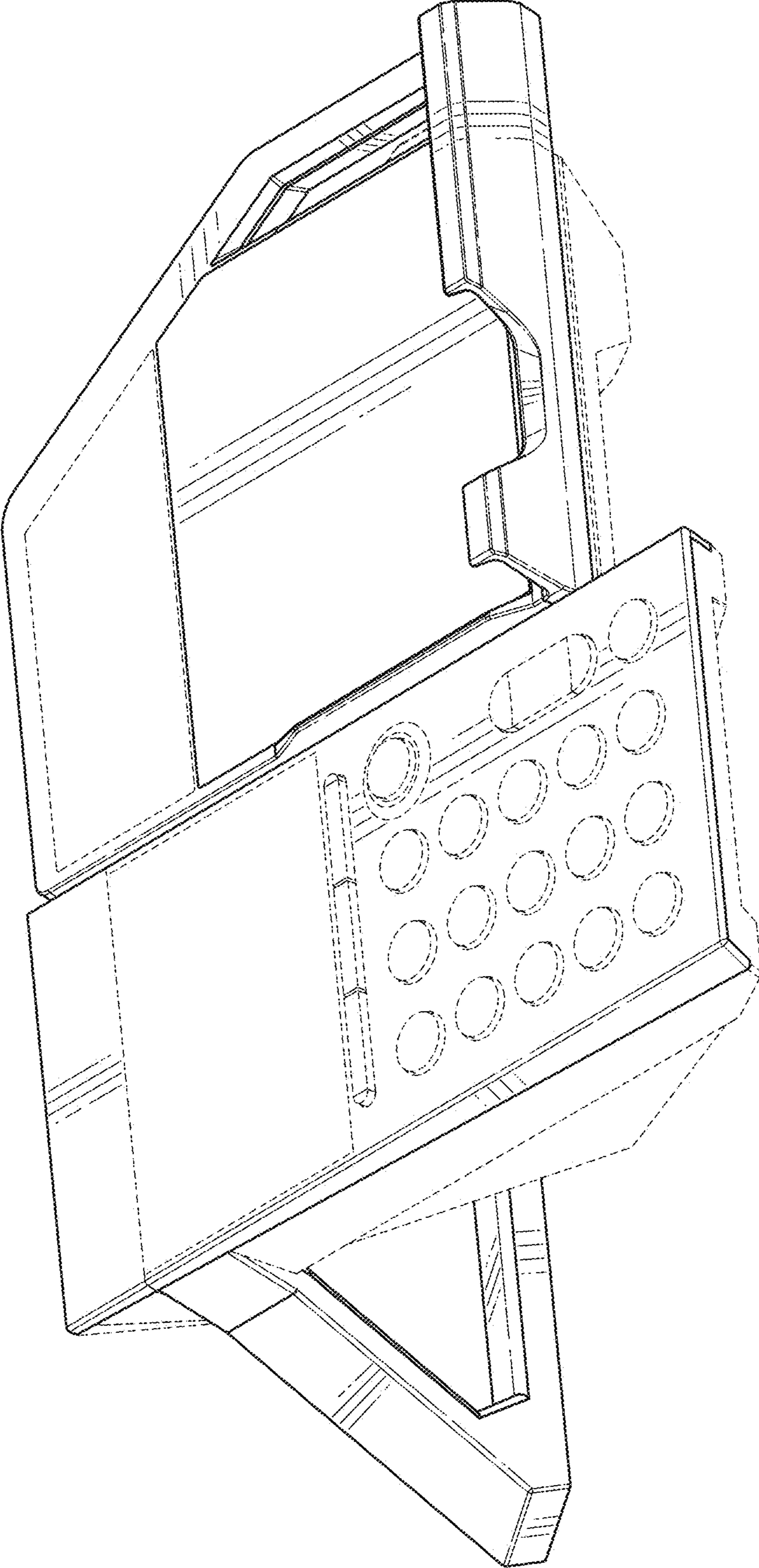


FIG. 1

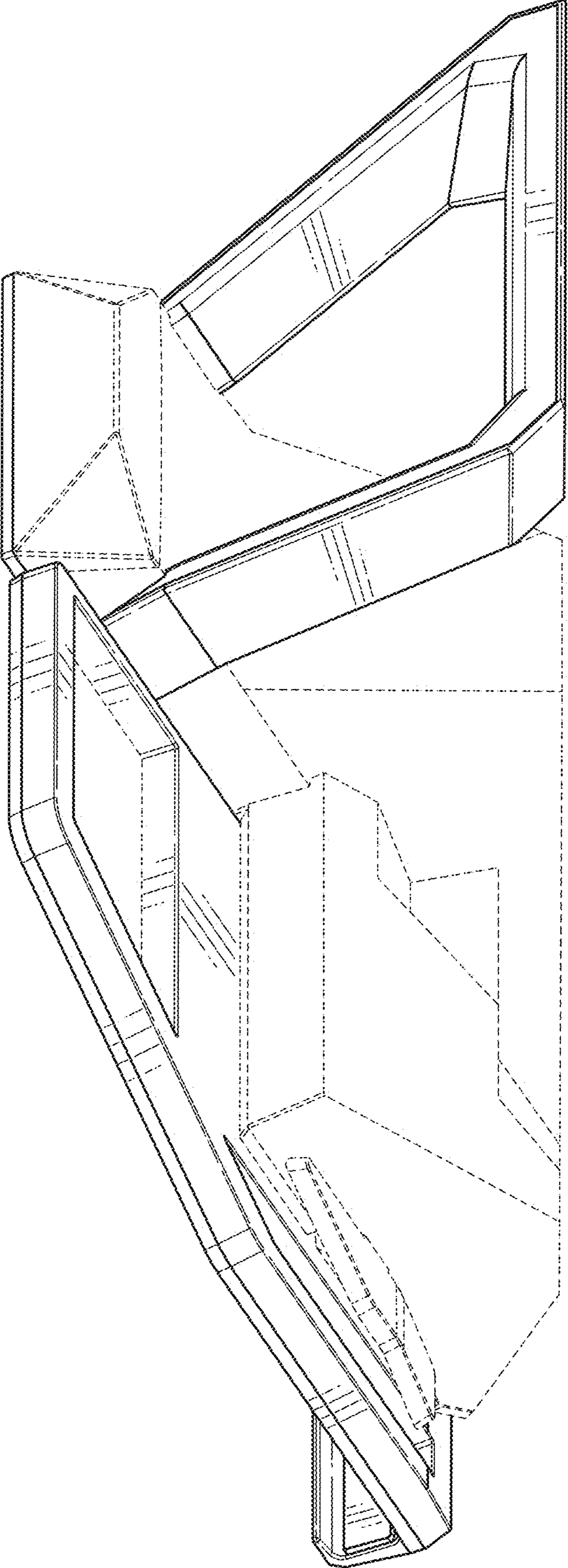


FIG. 2

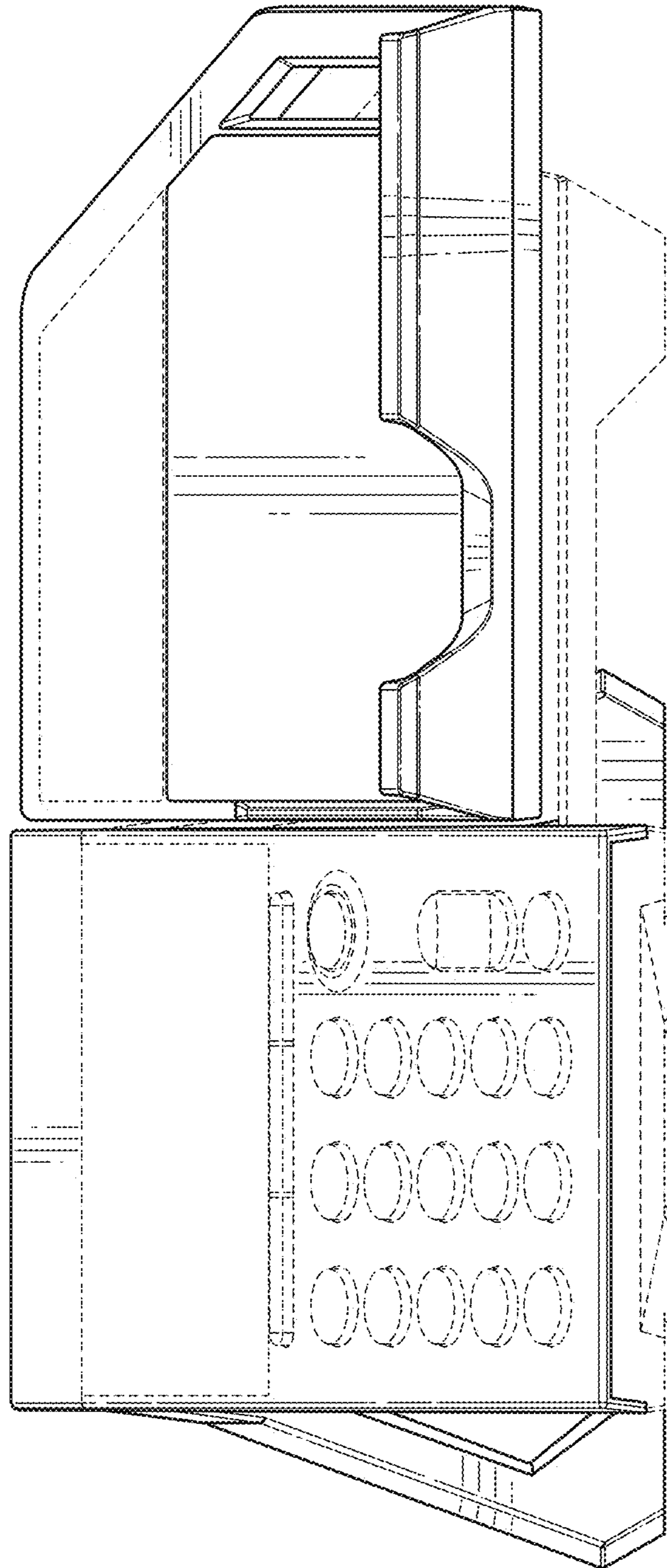


FIG. 3

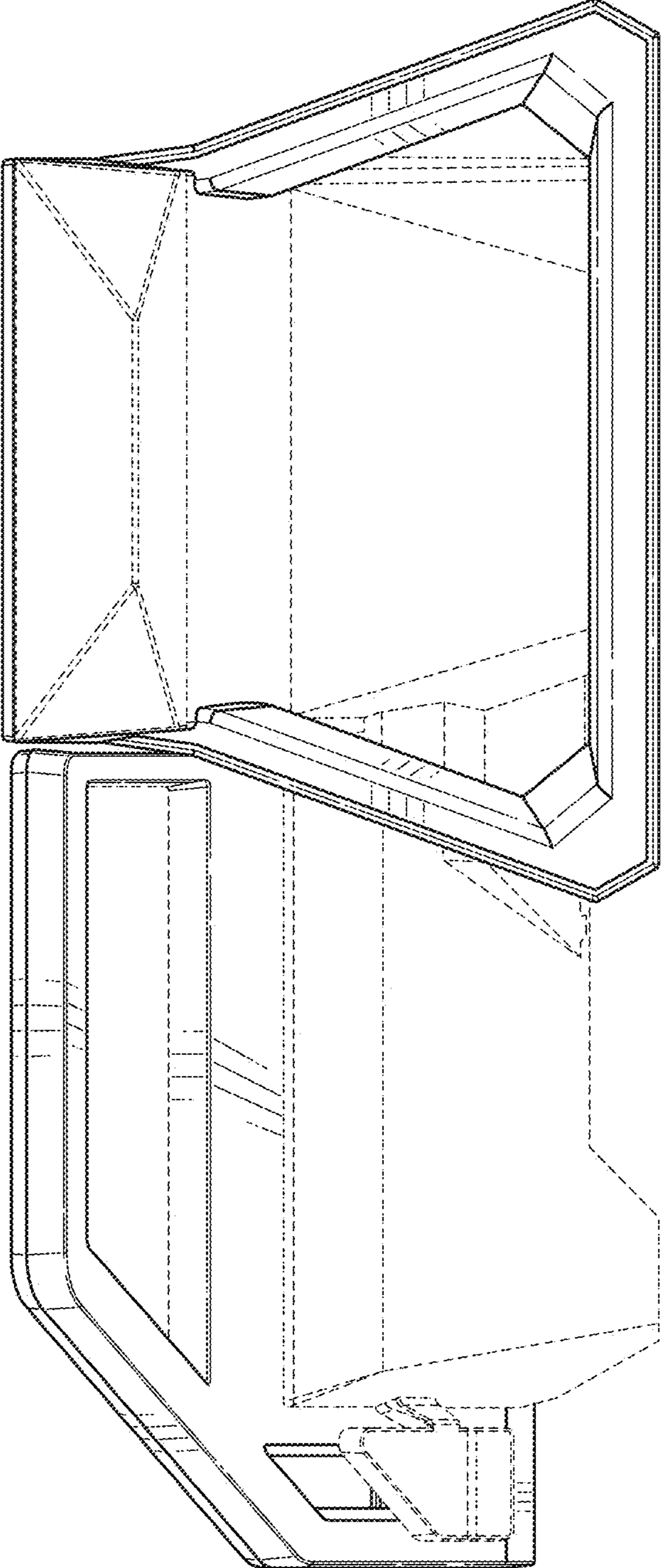


FIG. 4

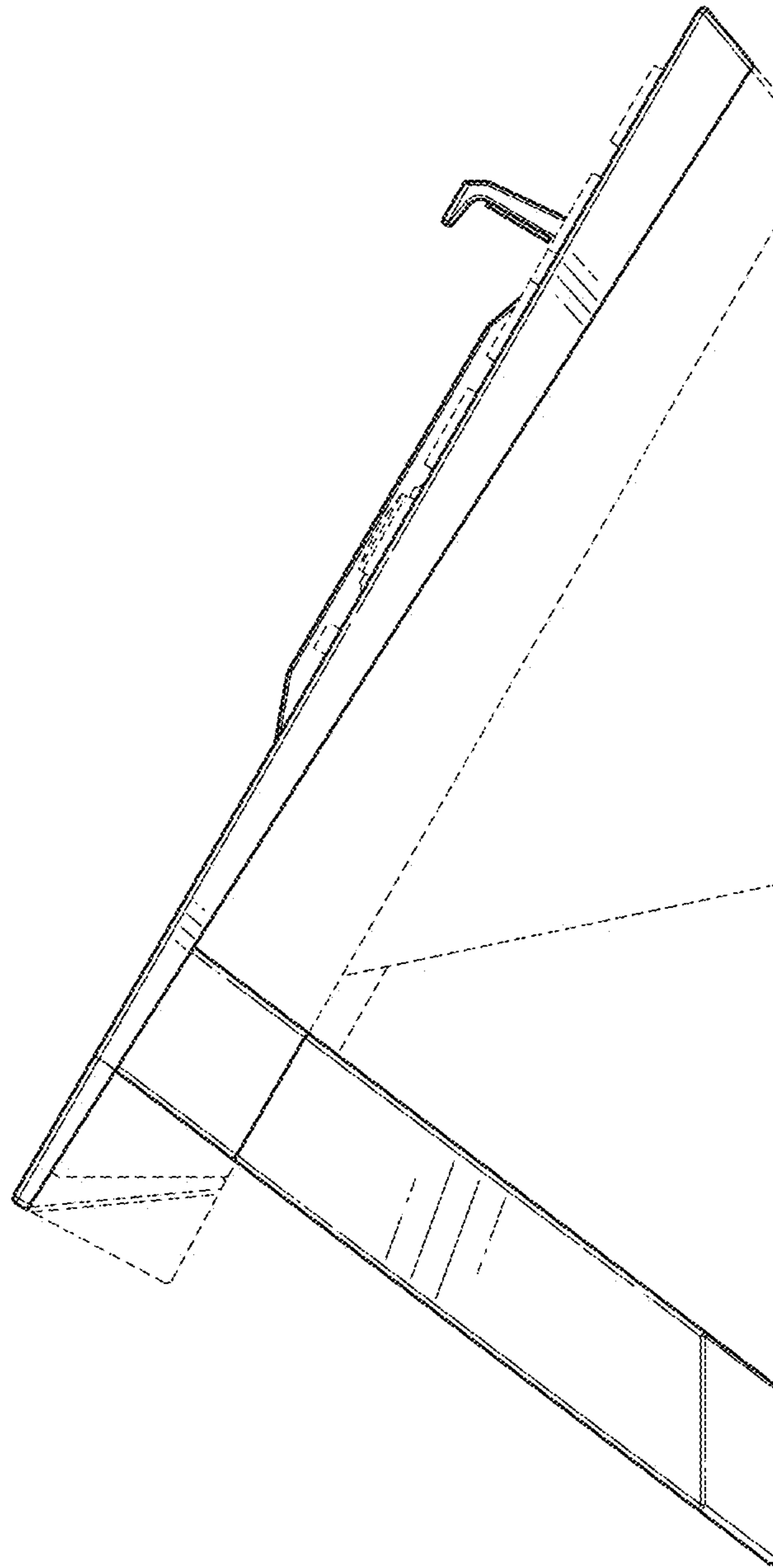


FIG. 5

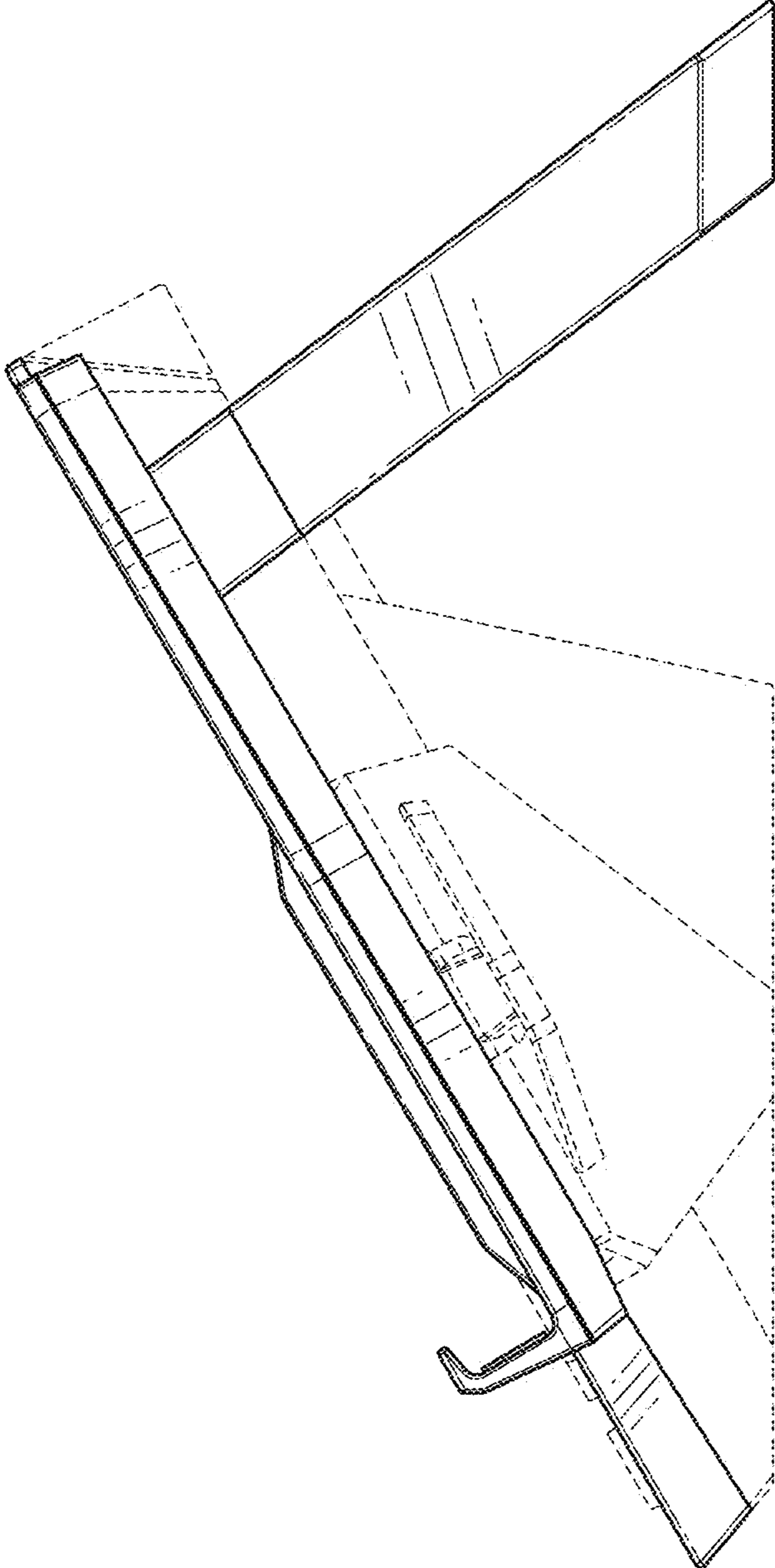


FIG. 6

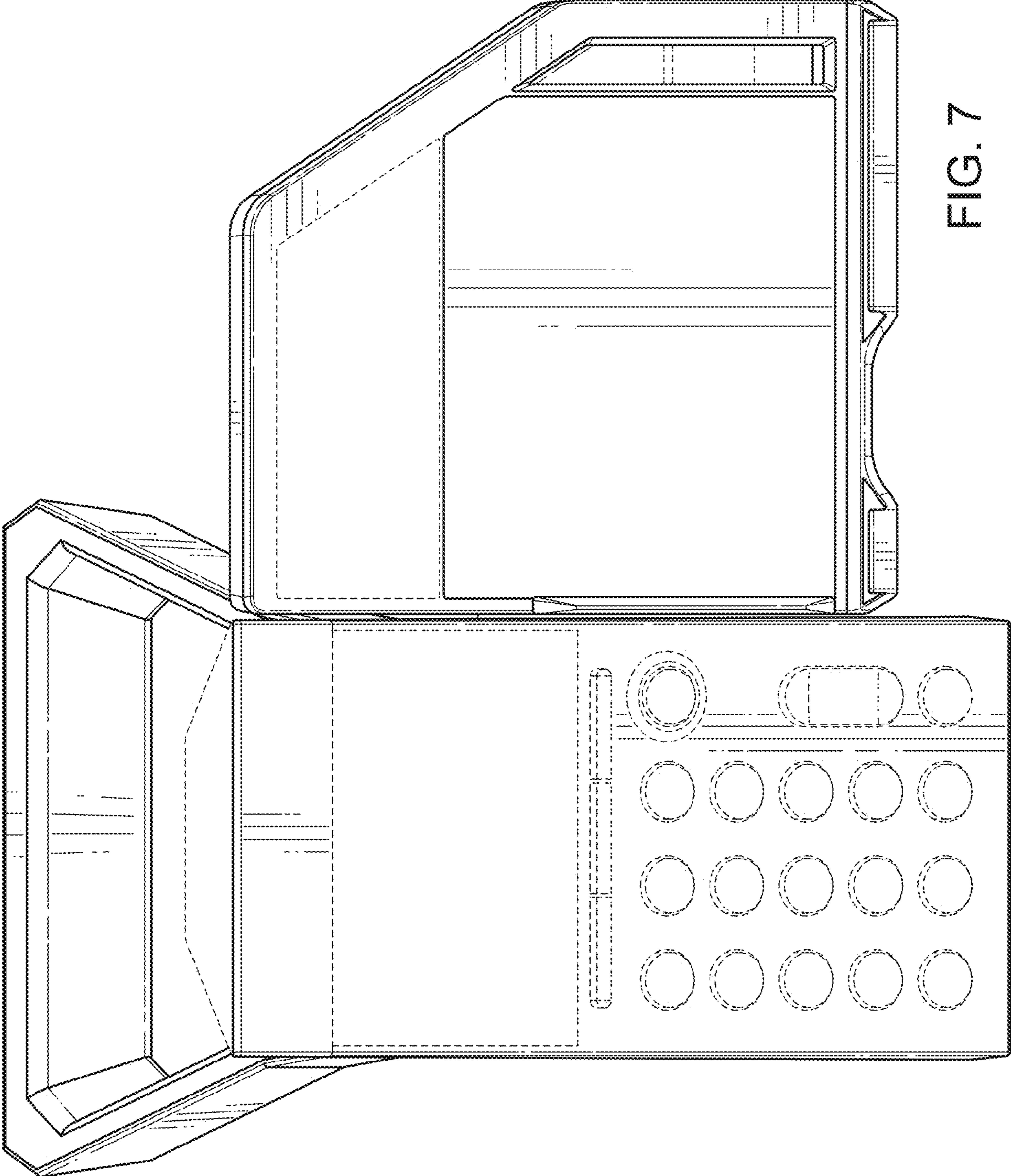


FIG. 7

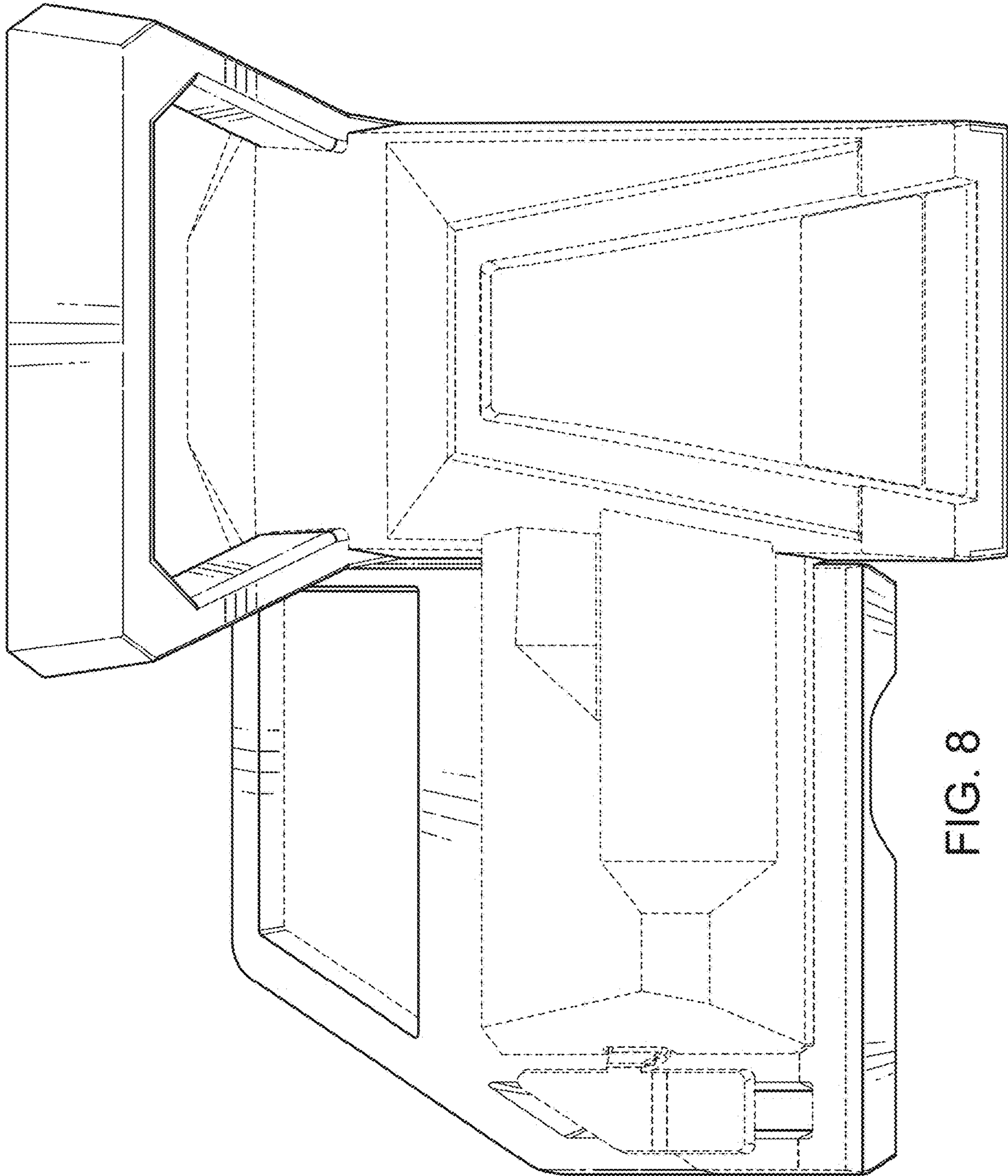


FIG. 8

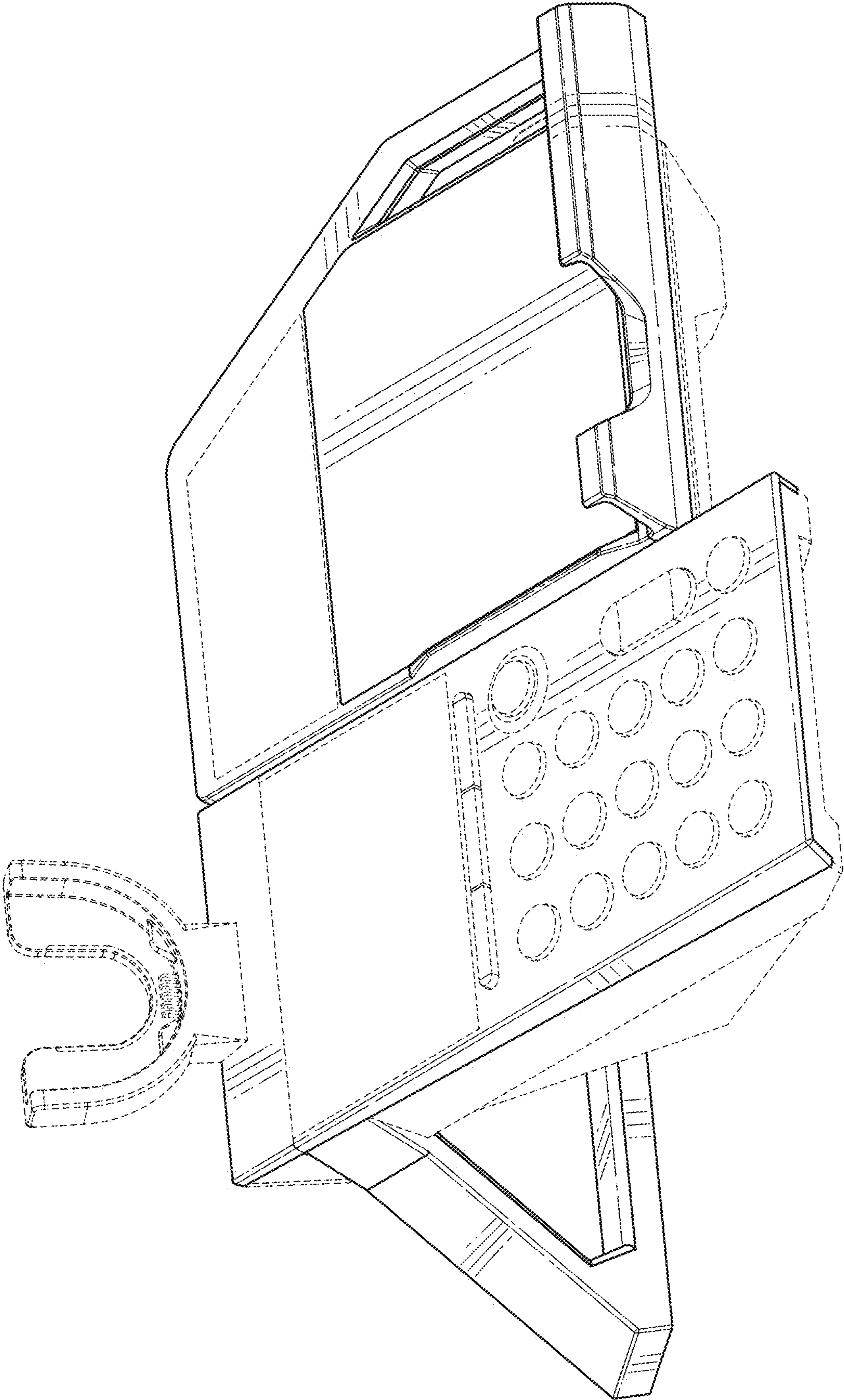


FIG. 9

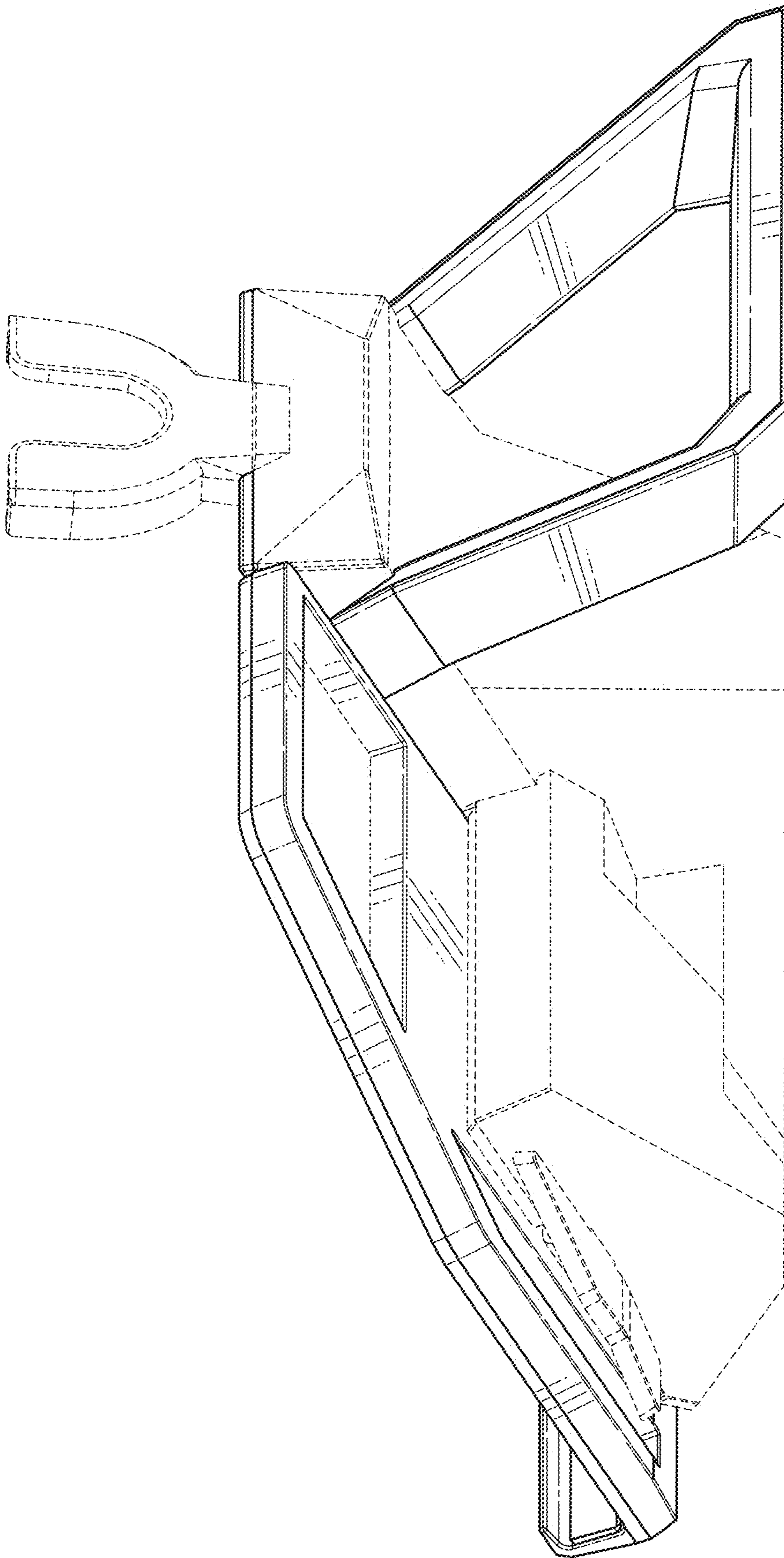


FIG. 10

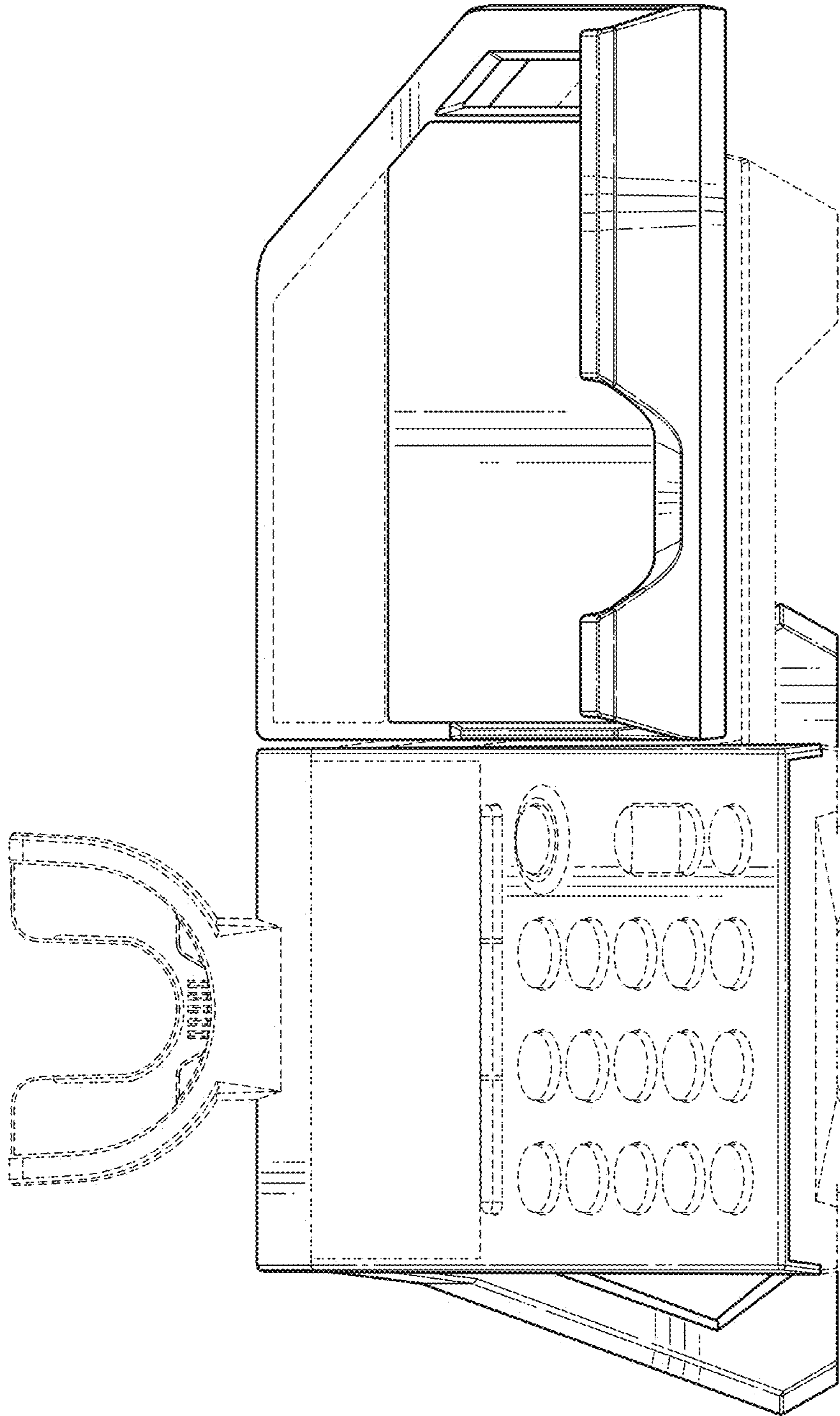


FIG. 11

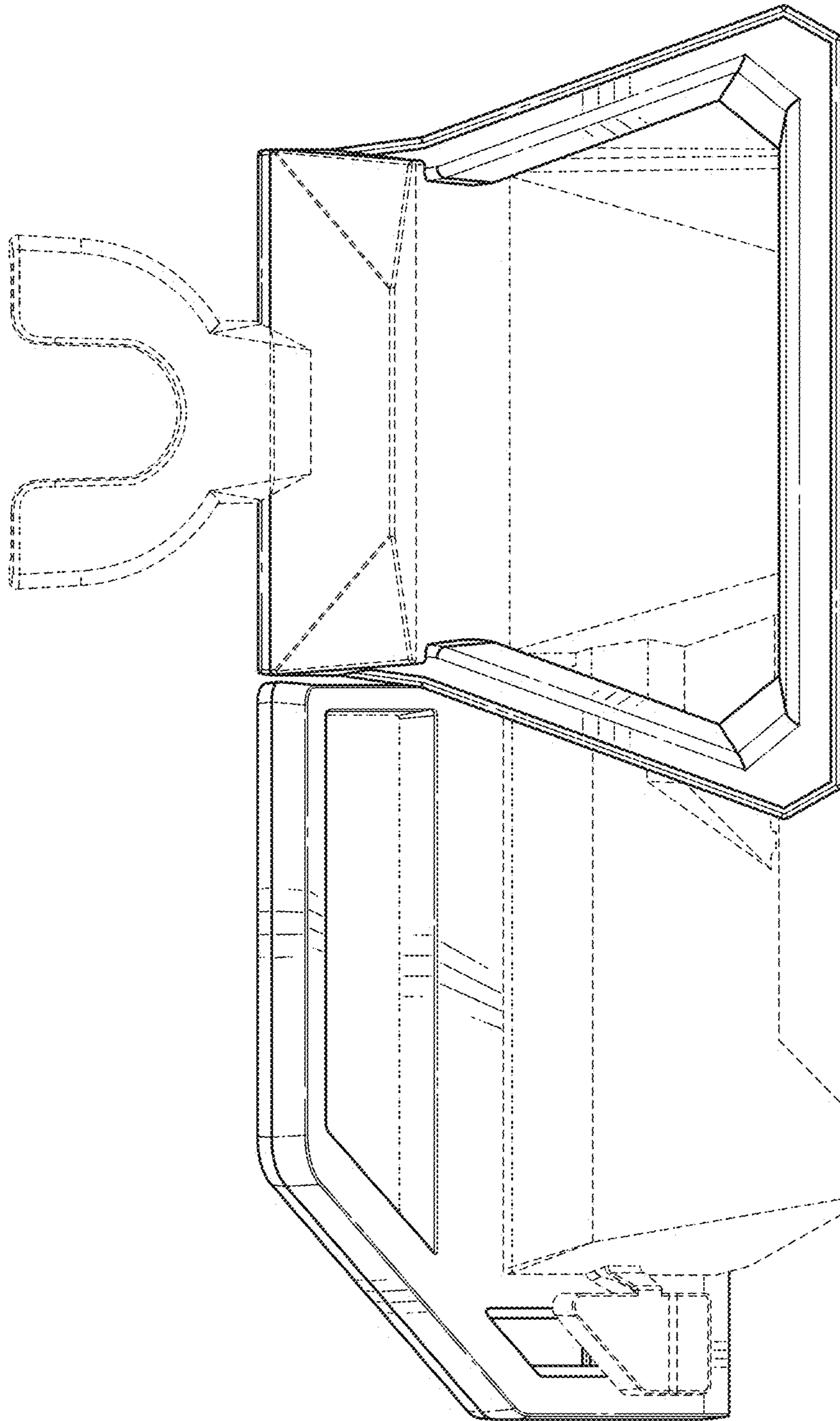


FIG. 12

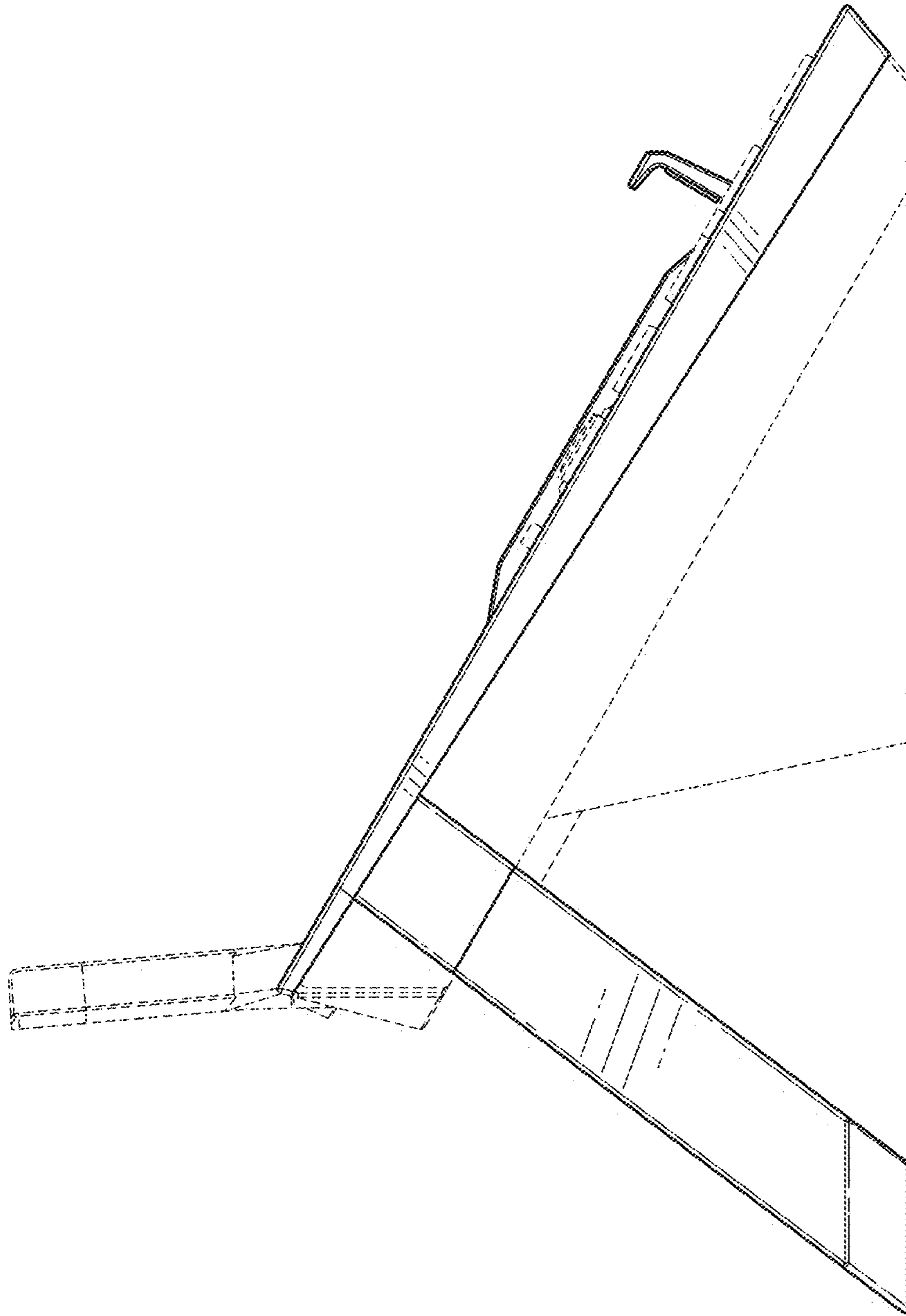


FIG. 13

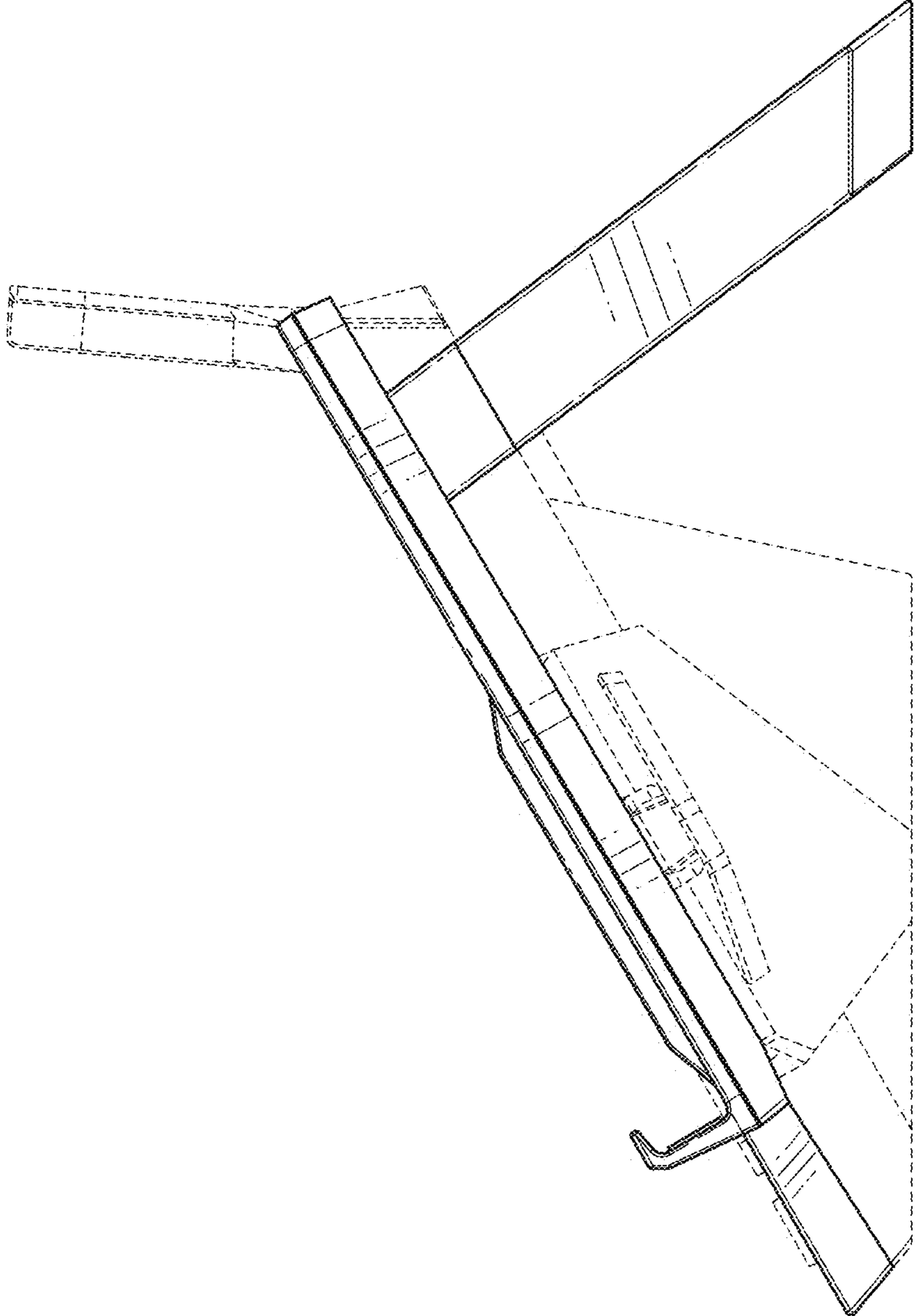


FIG. 14

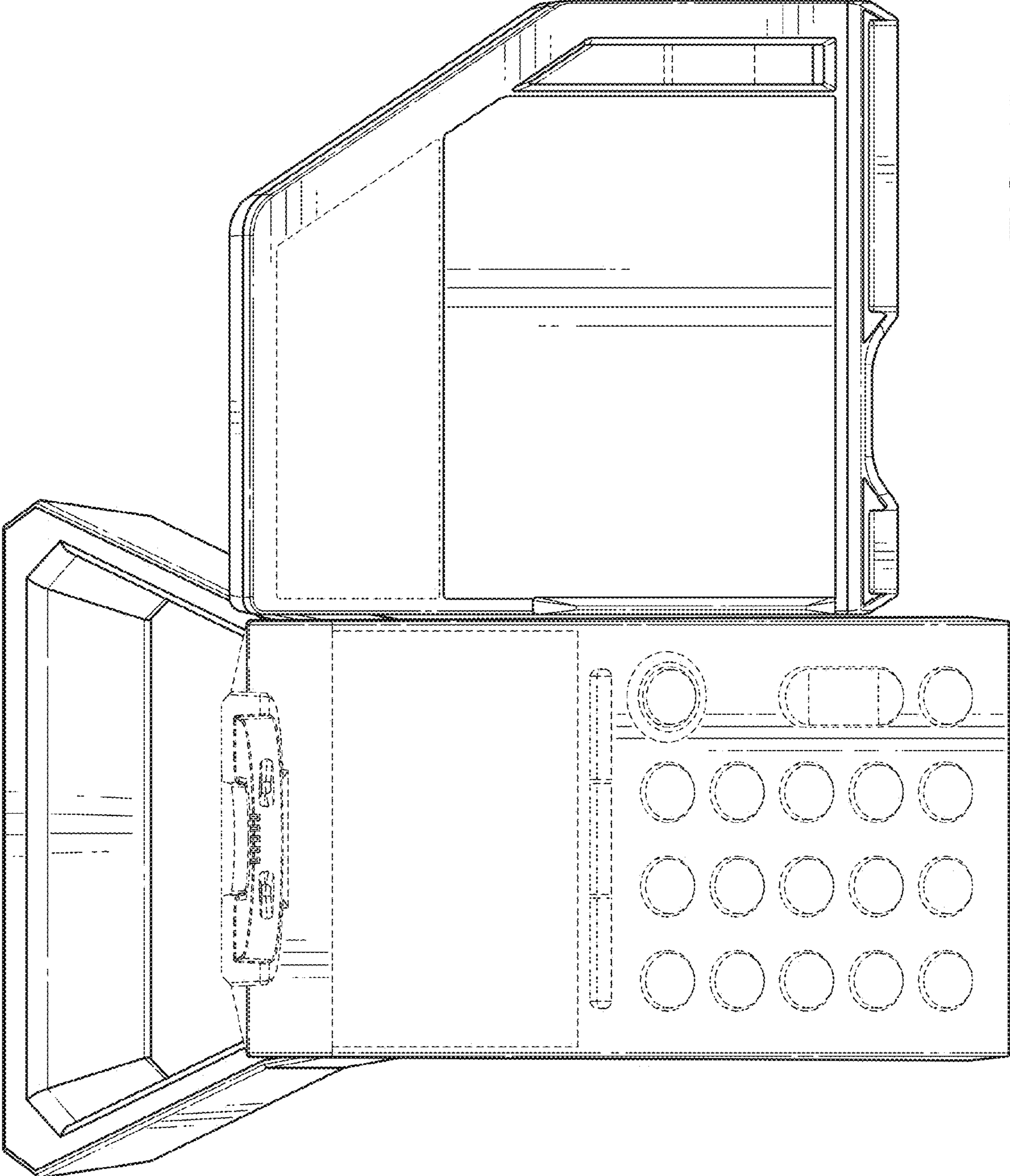


FIG. 15

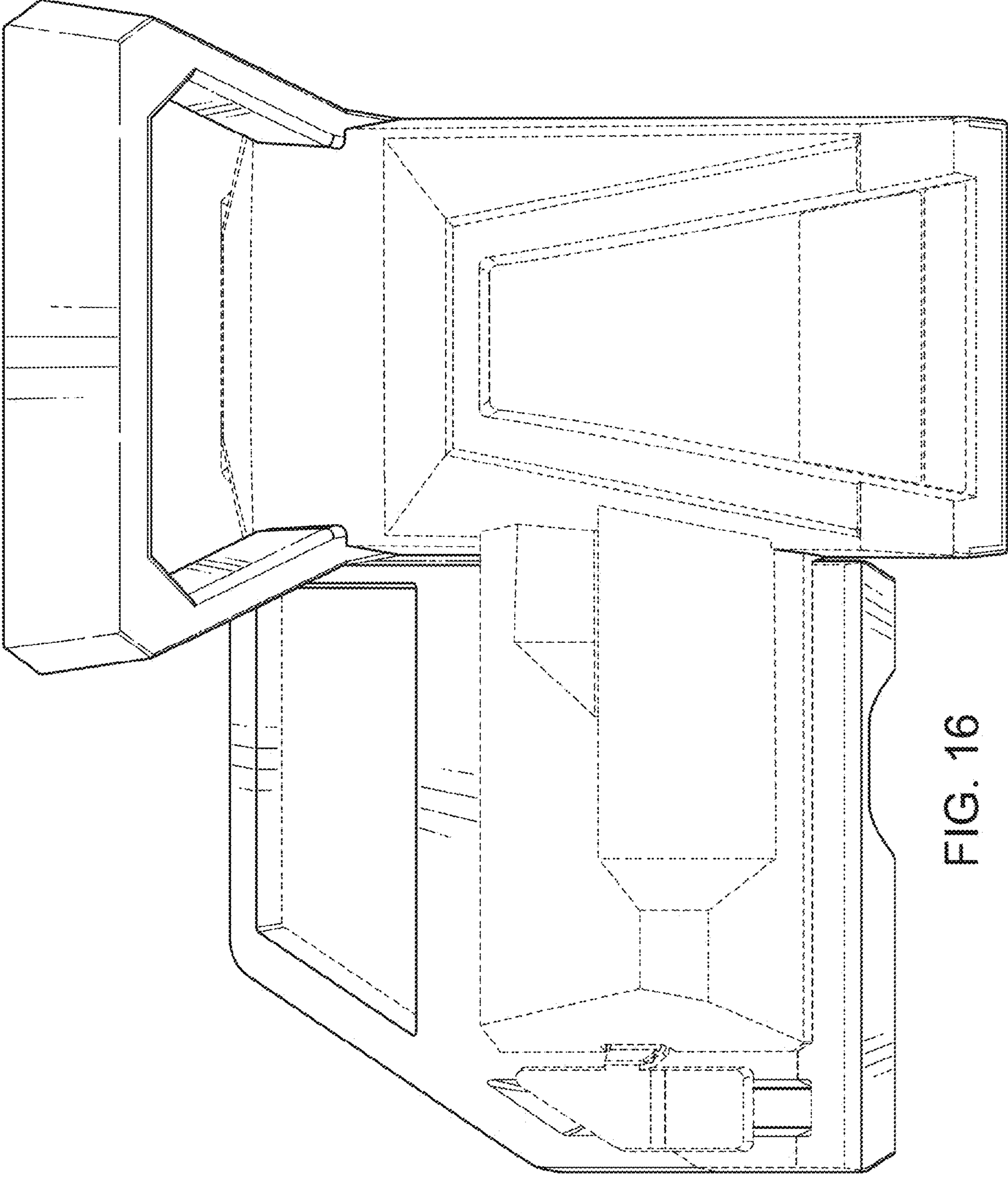


FIG. 16

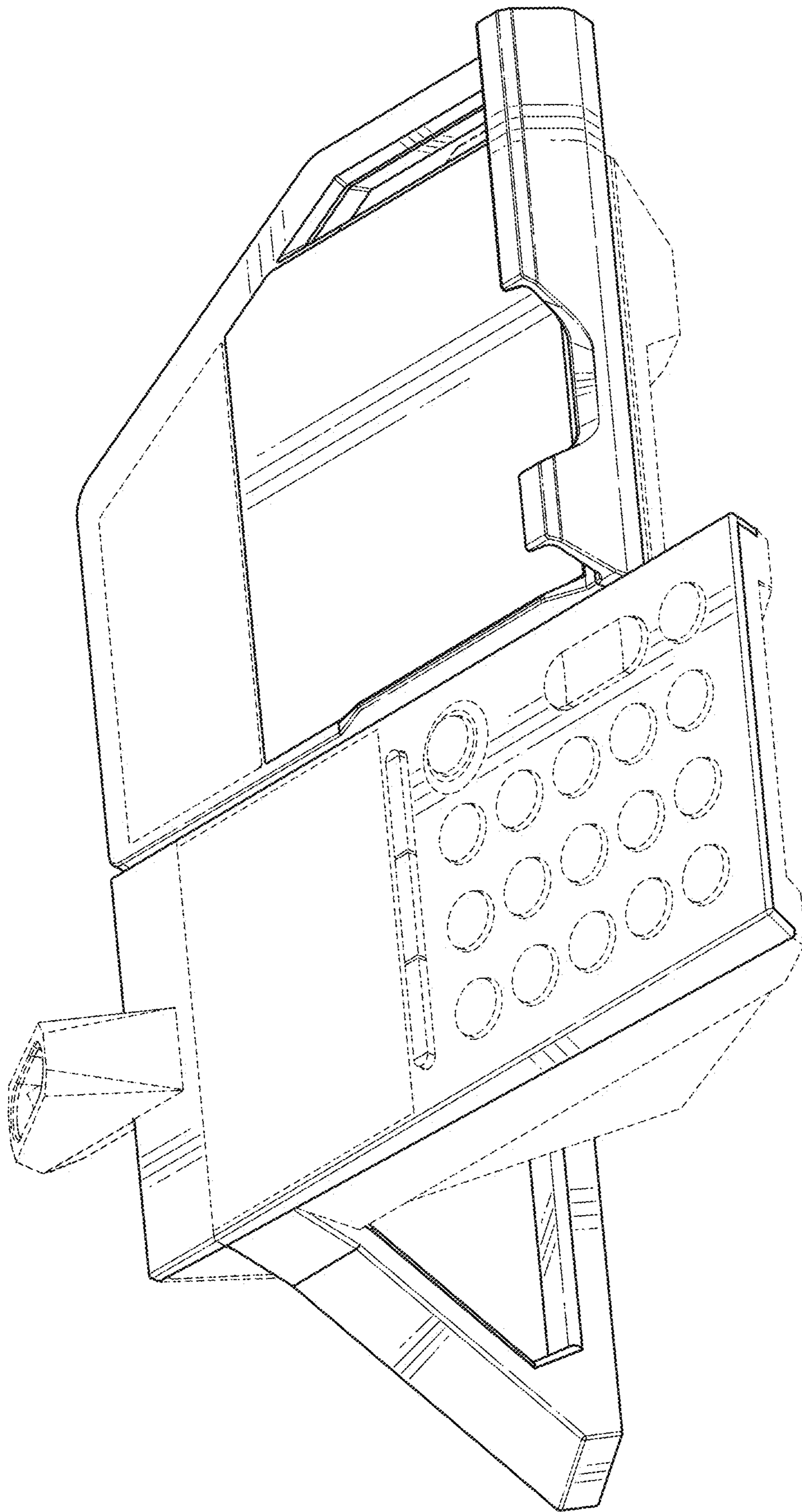


FIG. 17

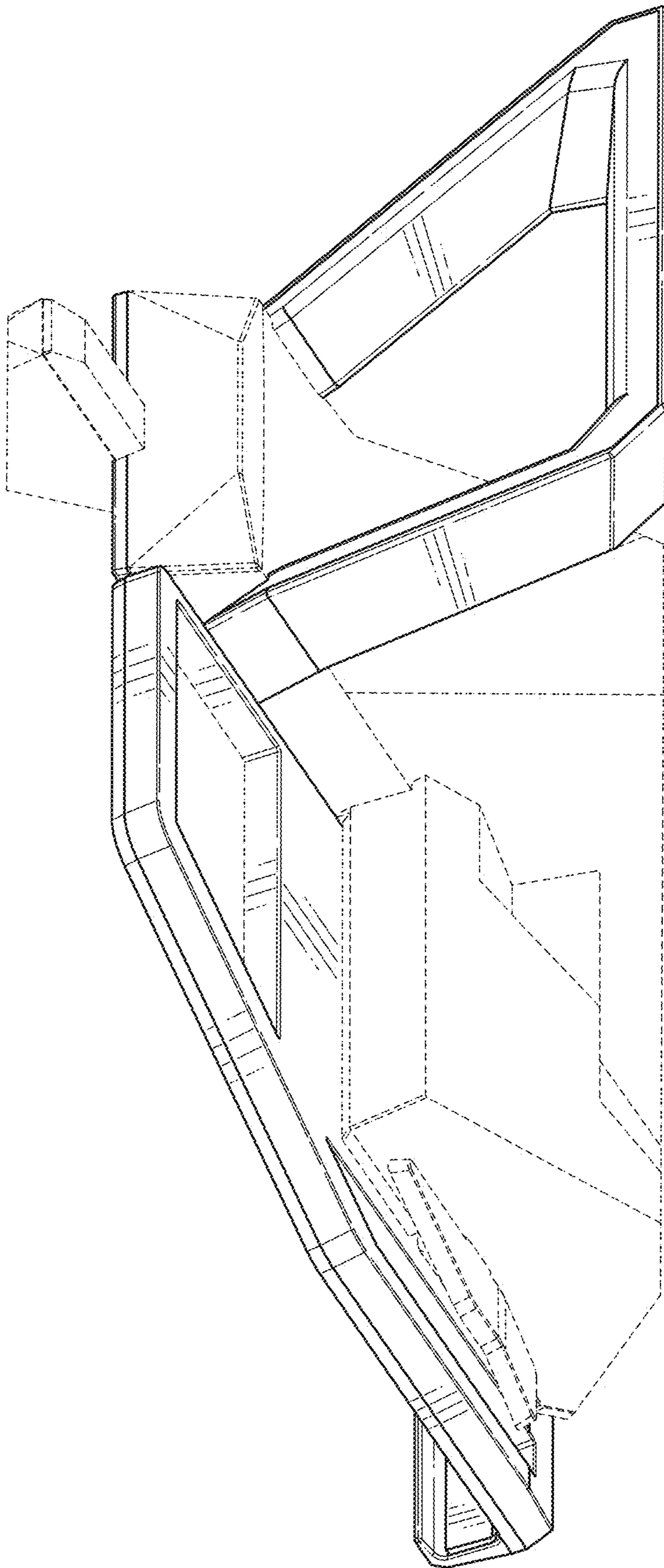


FIG. 18

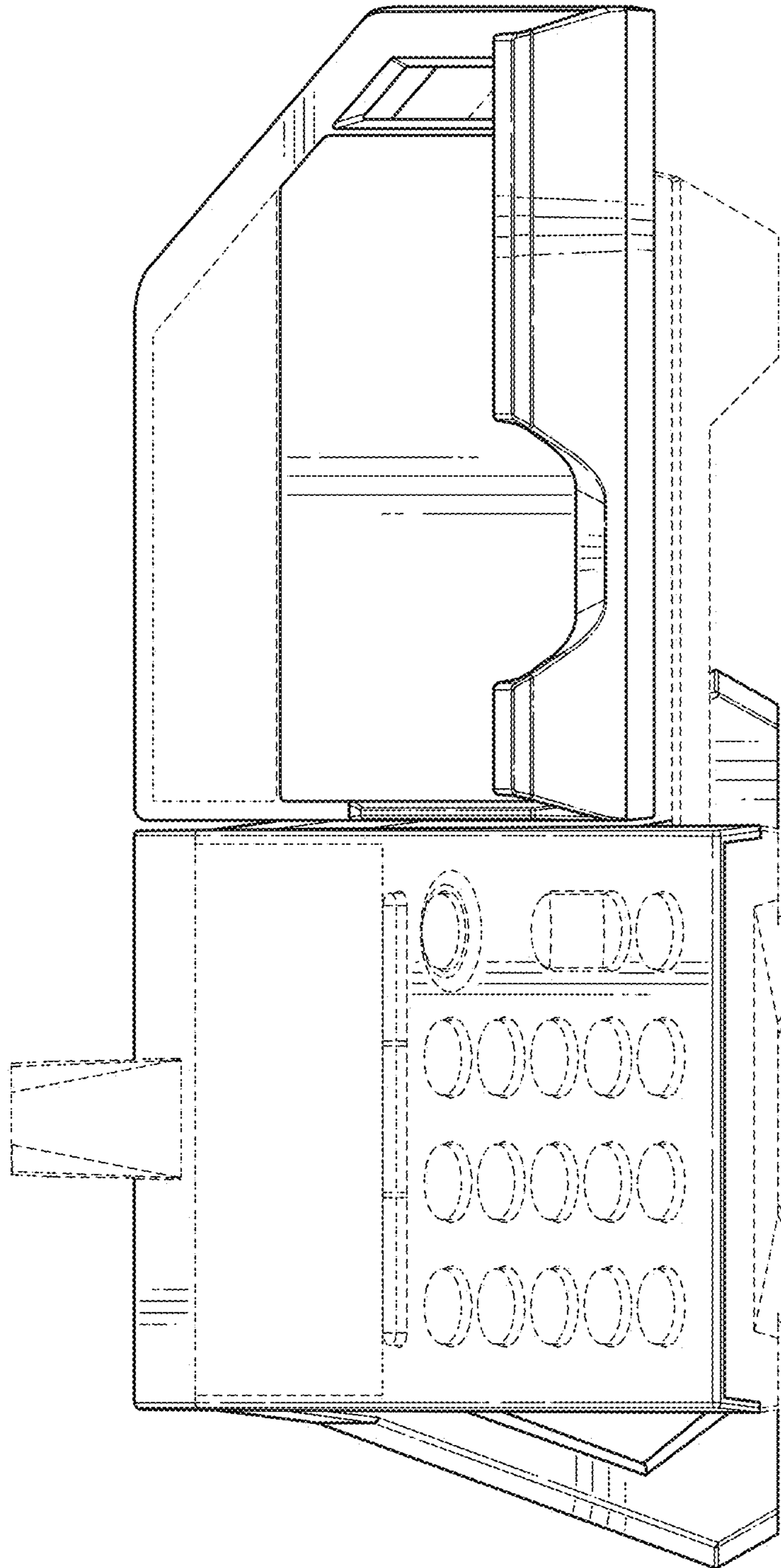


FIG. 19

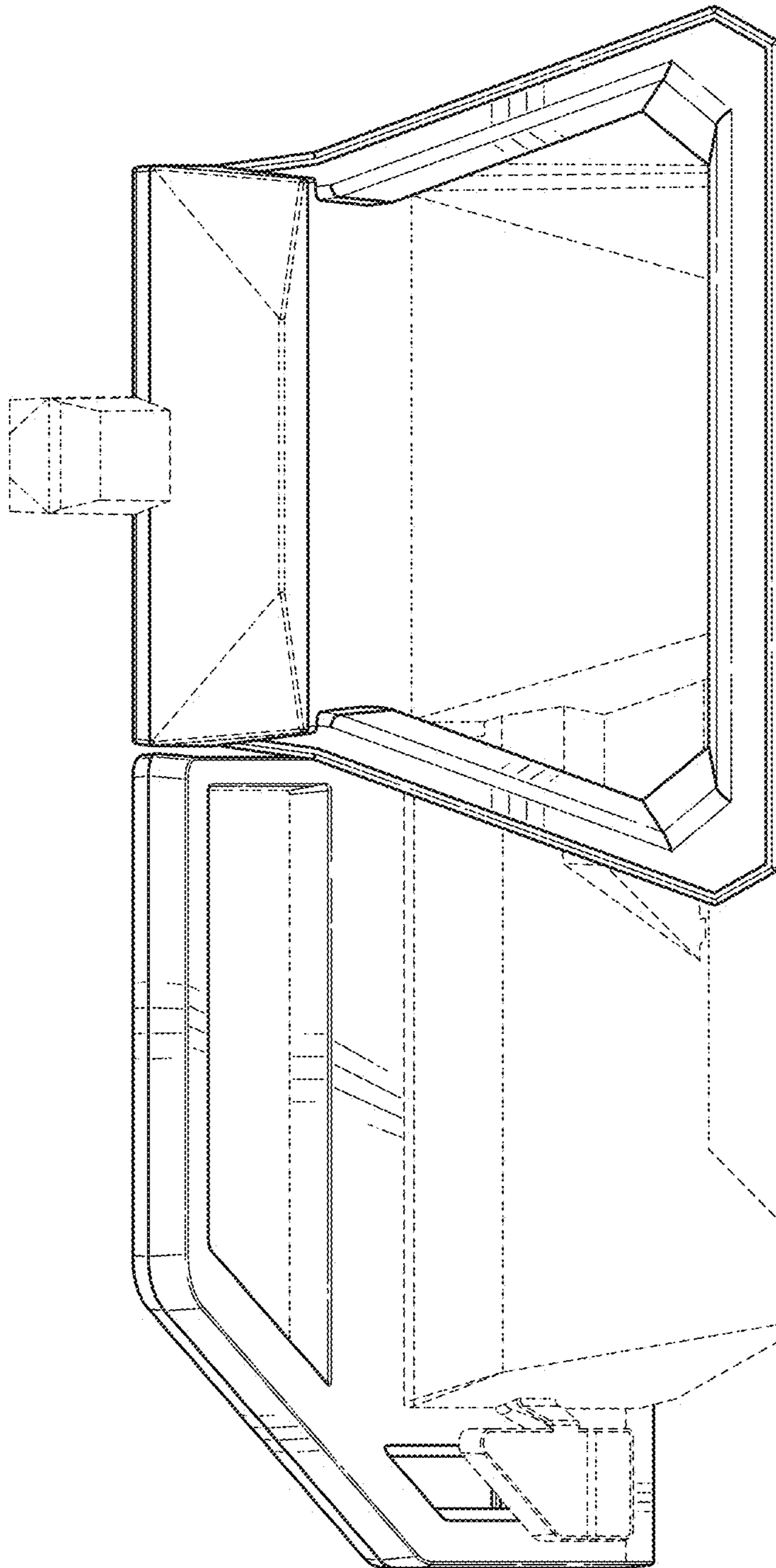


FIG. 20

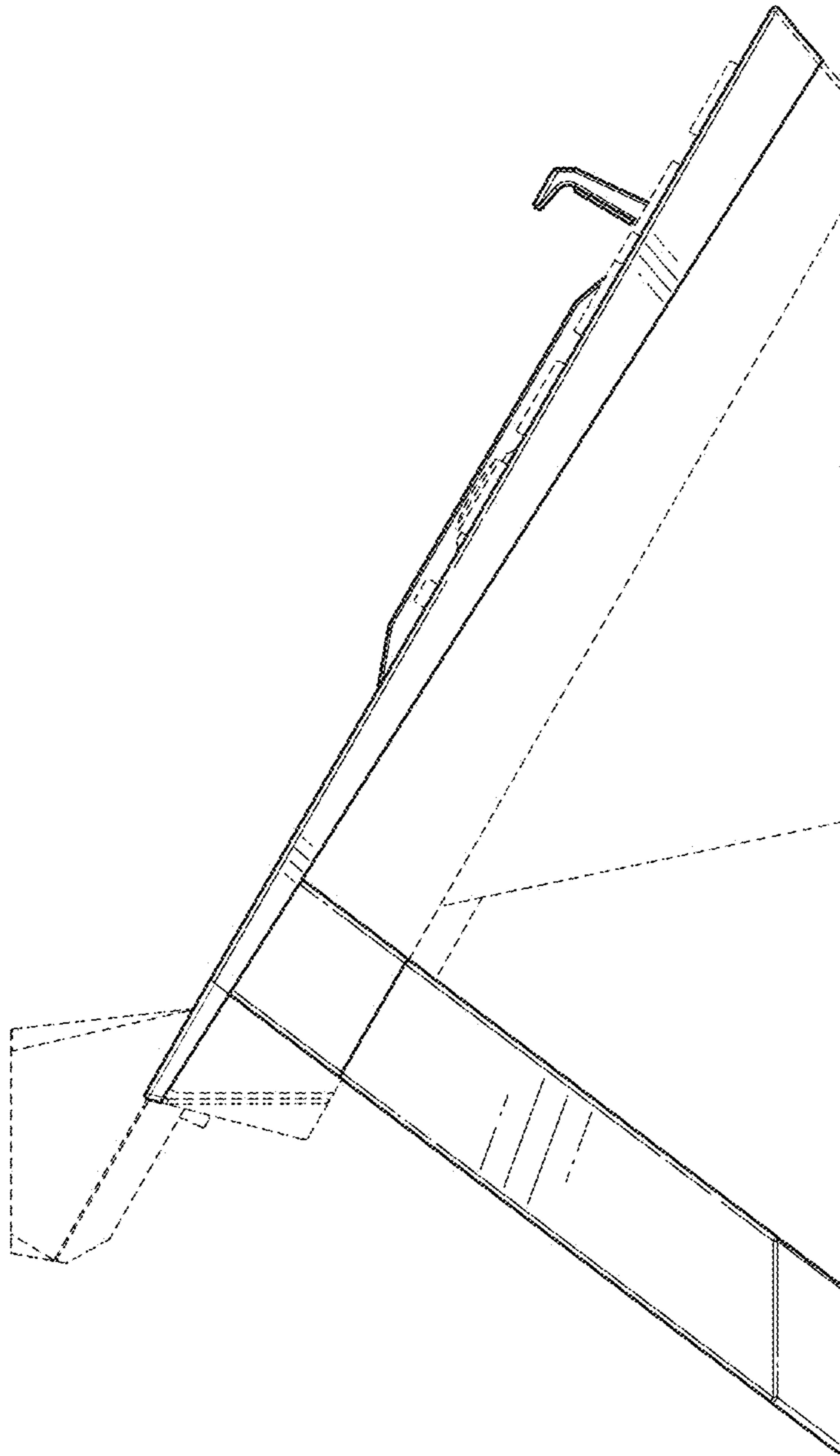


FIG. 21

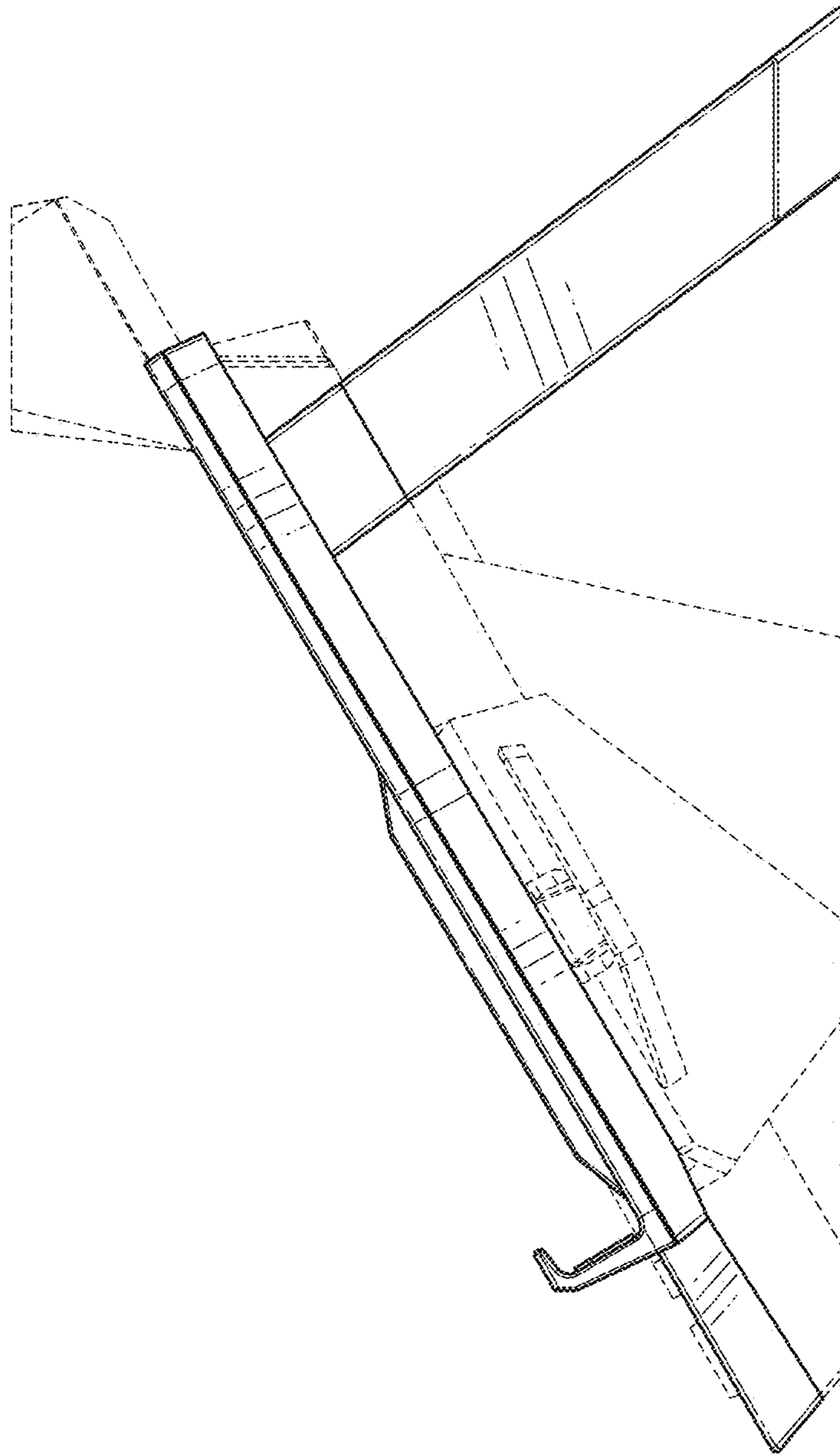


FIG. 22

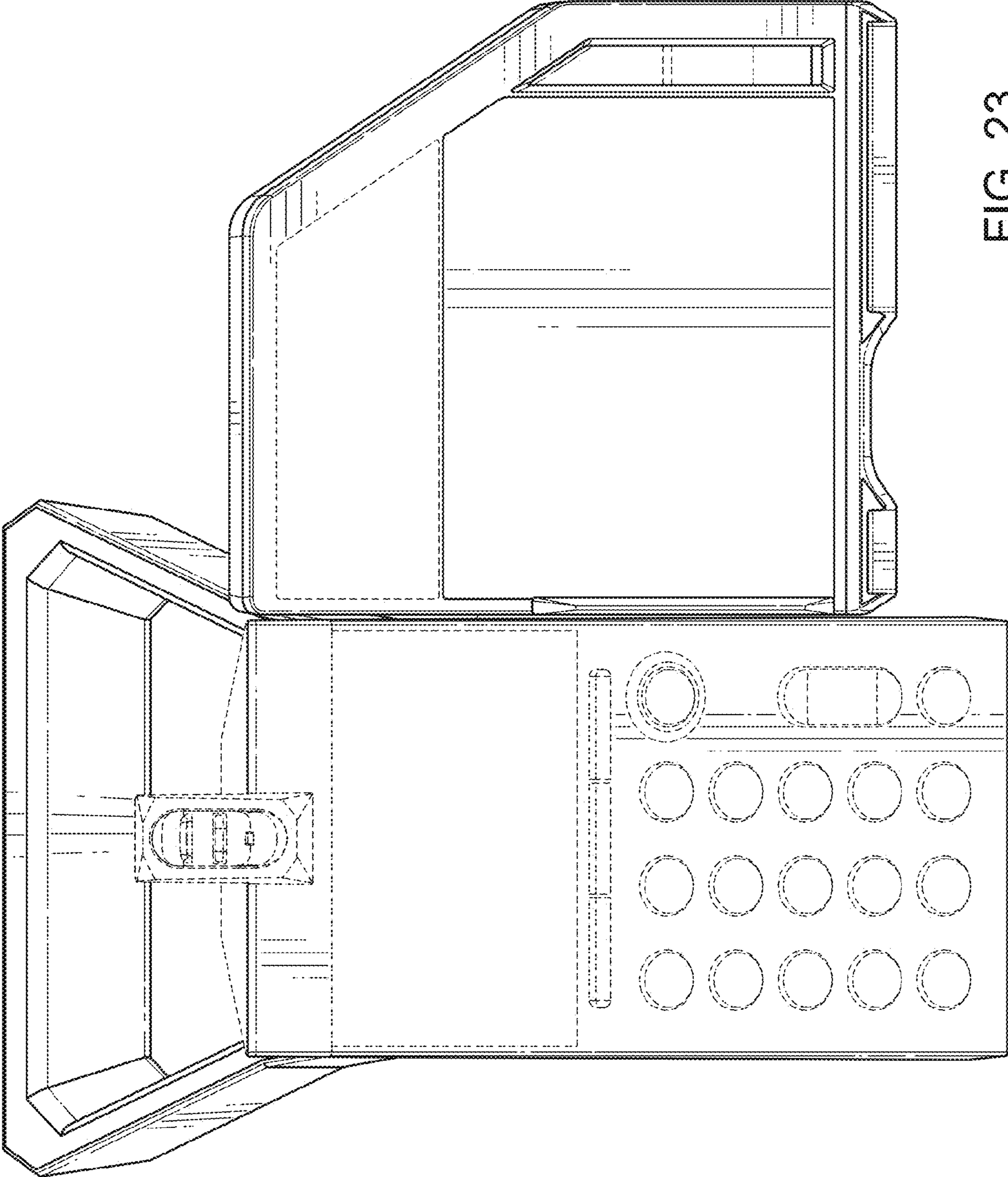


FIG. 23

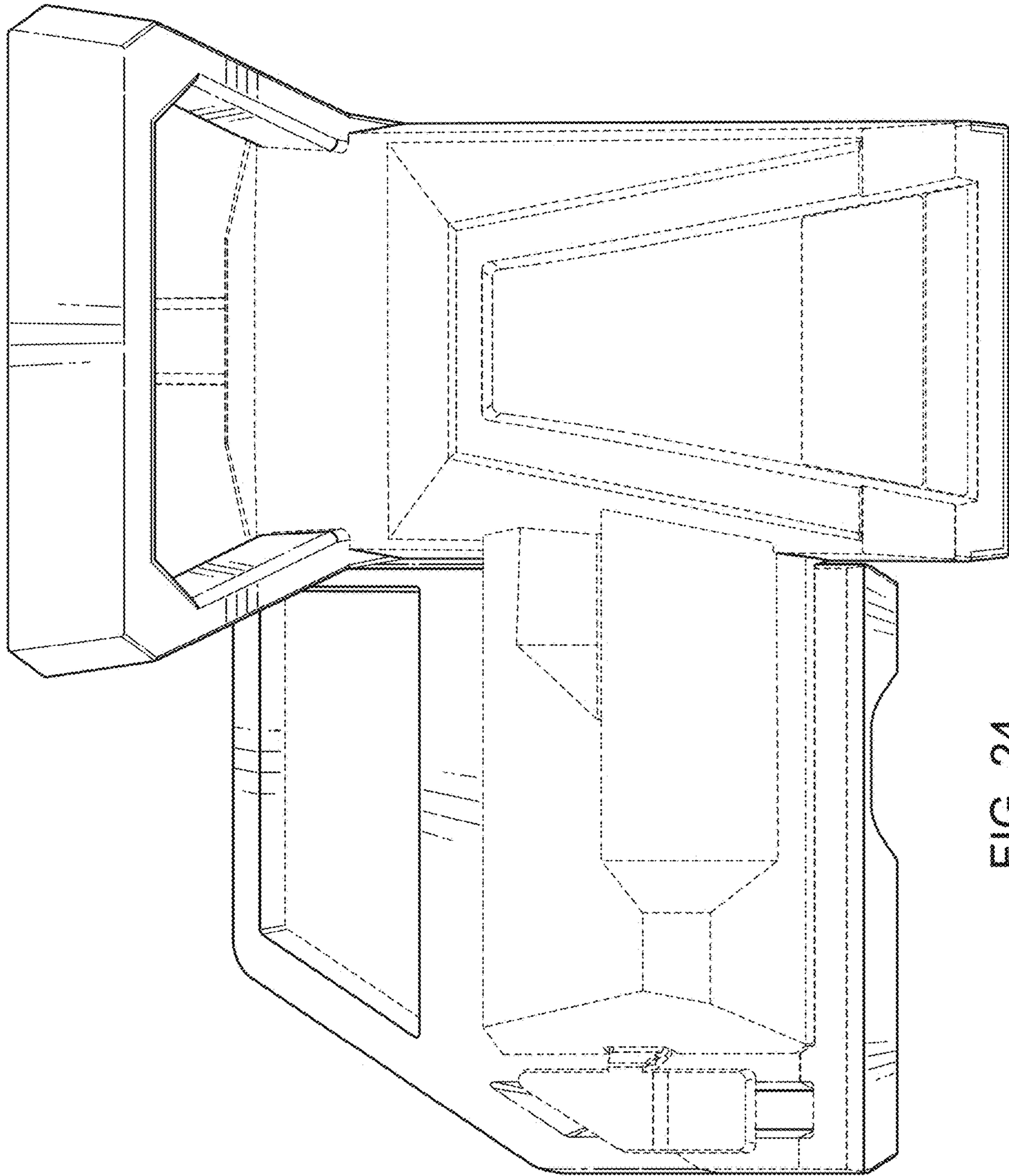


FIG. 24

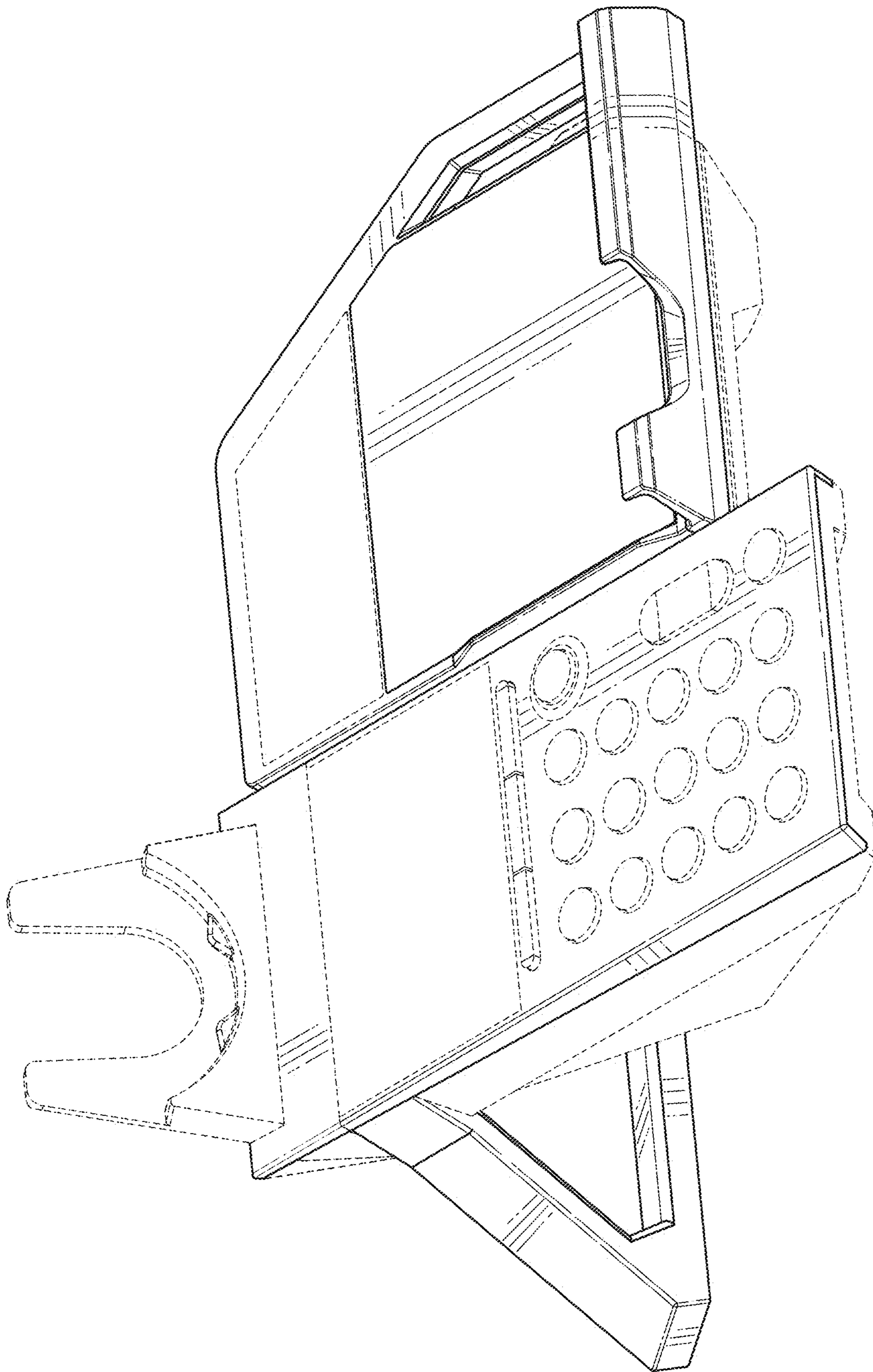


FIG. 25

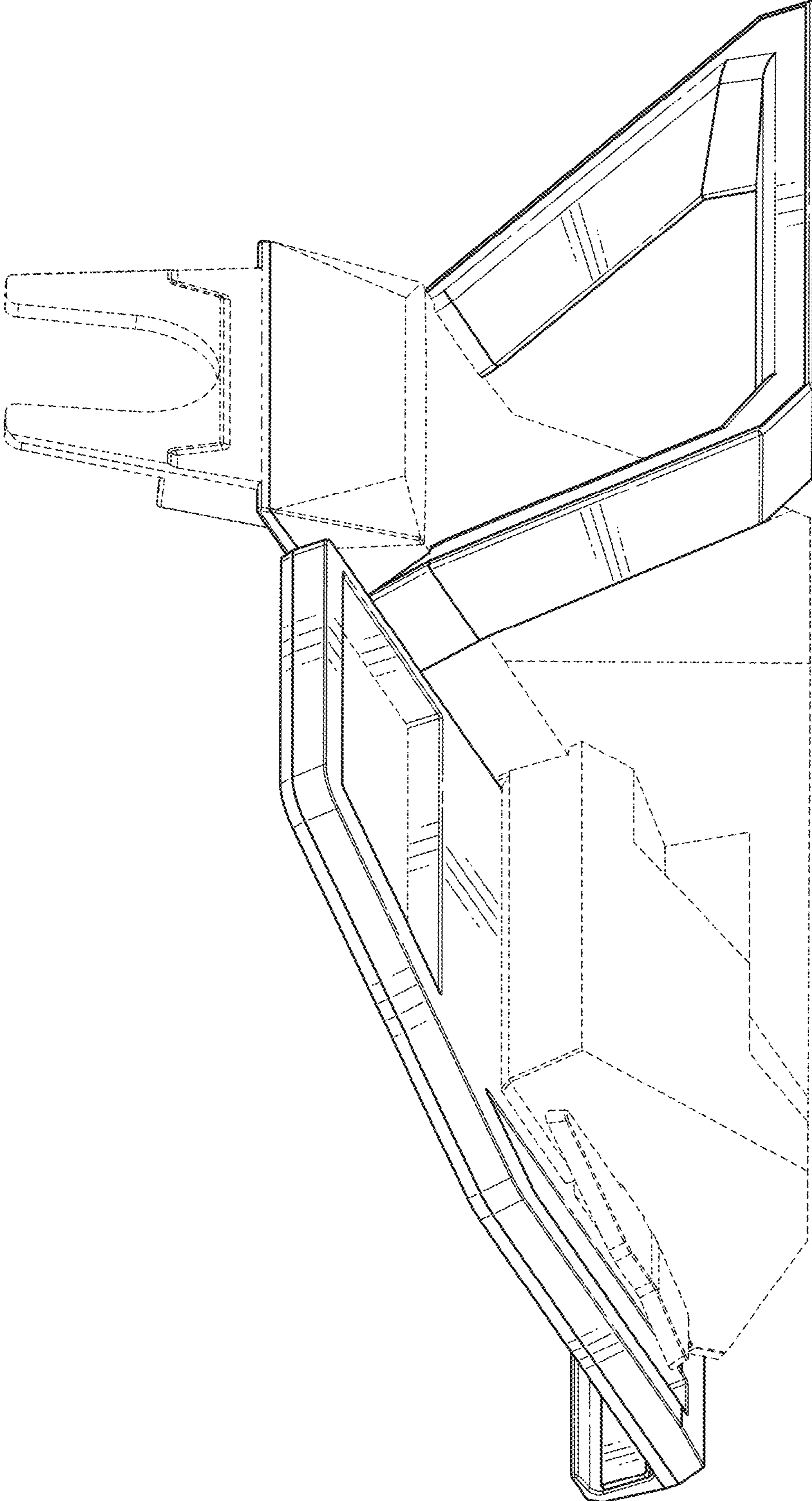


FIG. 26

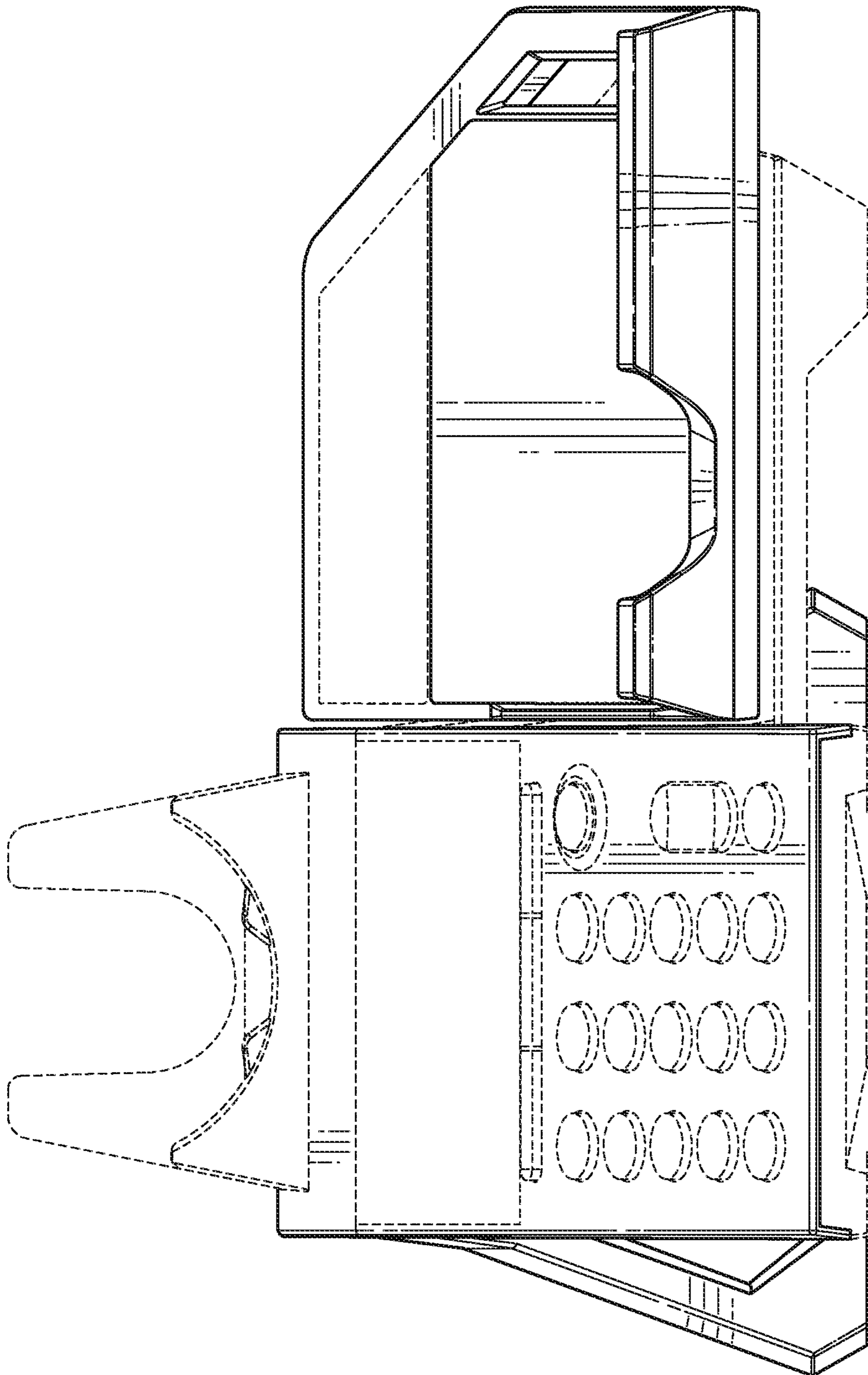


FIG. 27

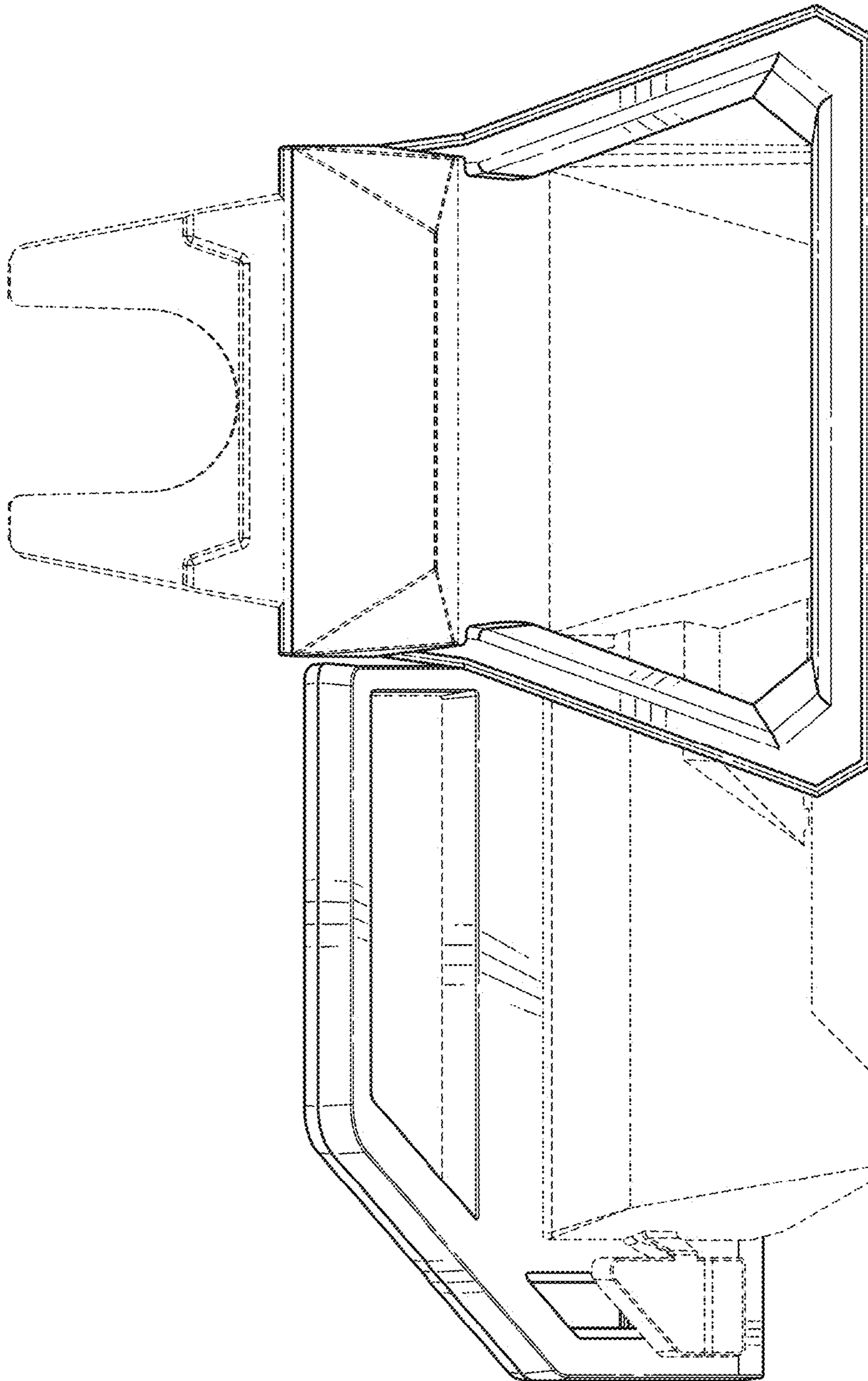


FIG. 28

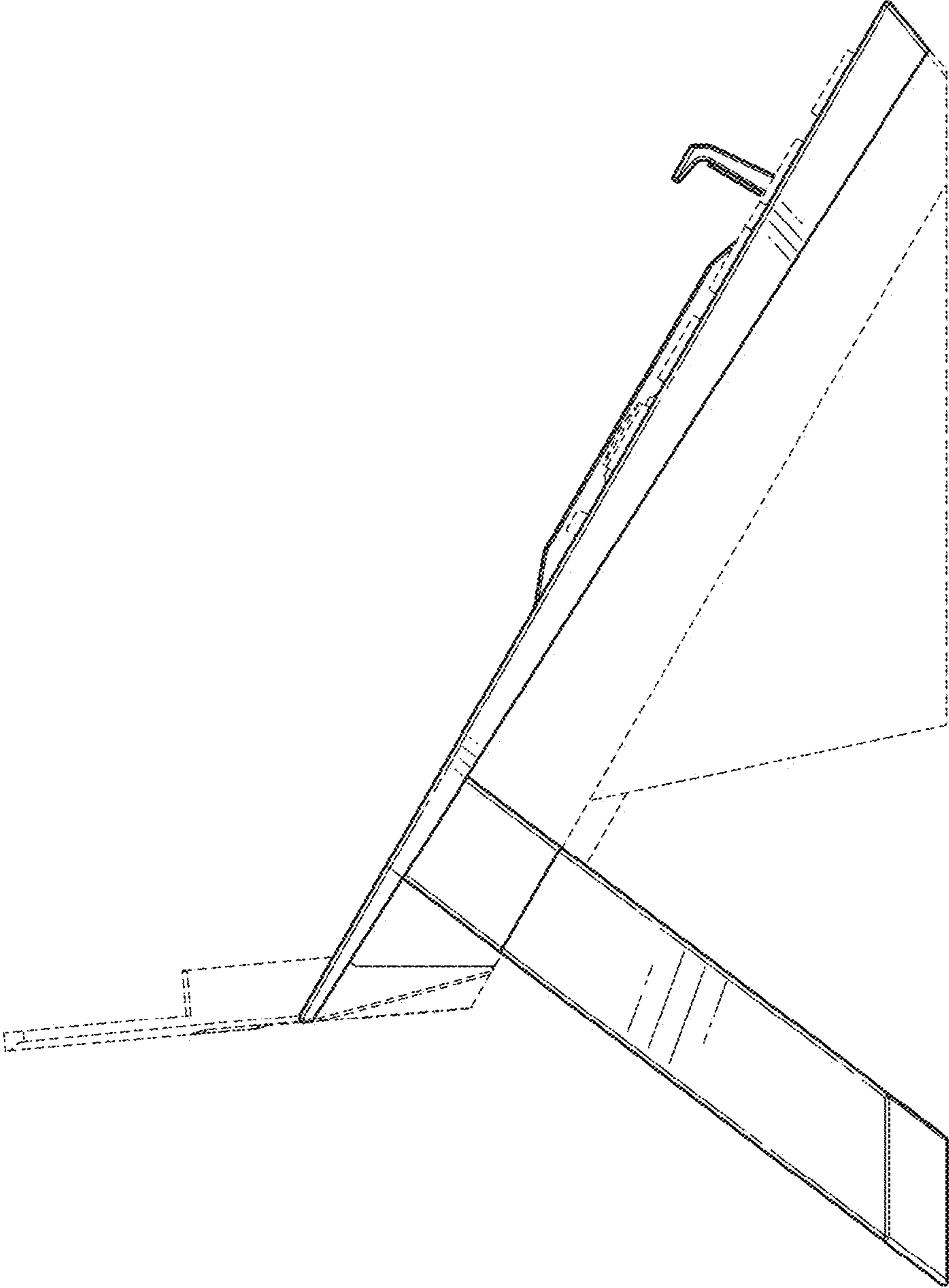


FIG. 29

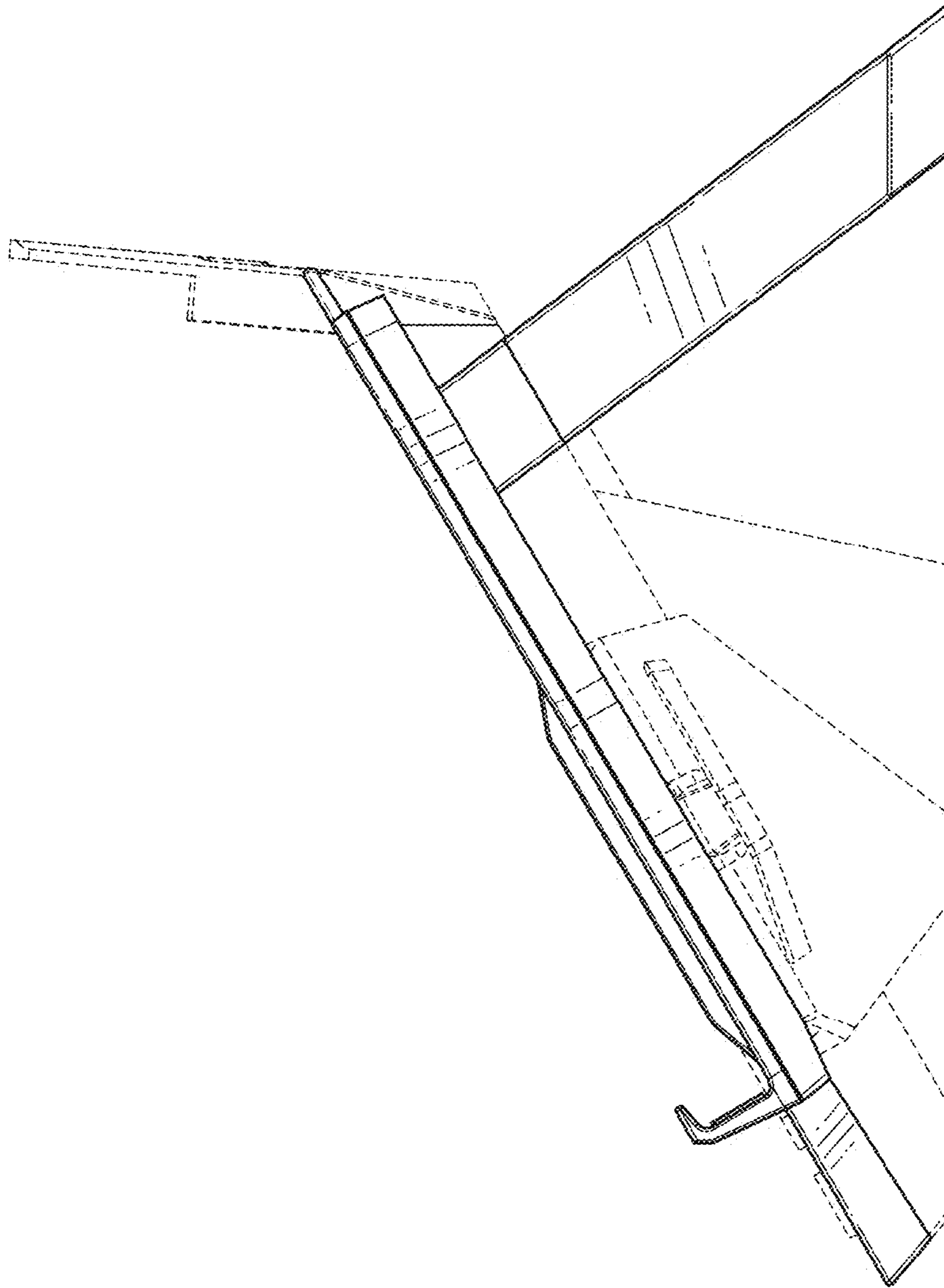


FIG. 30

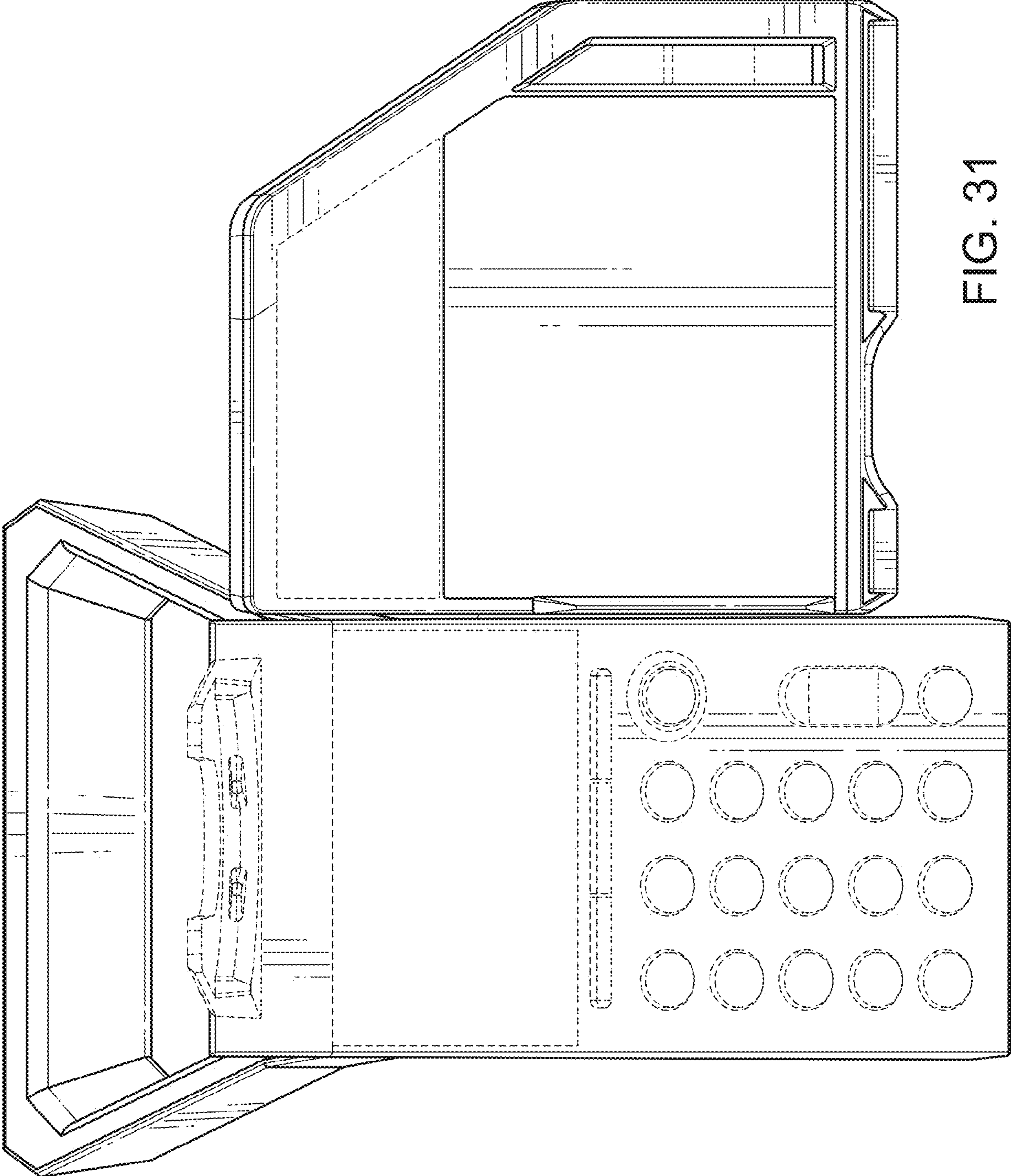


FIG. 31

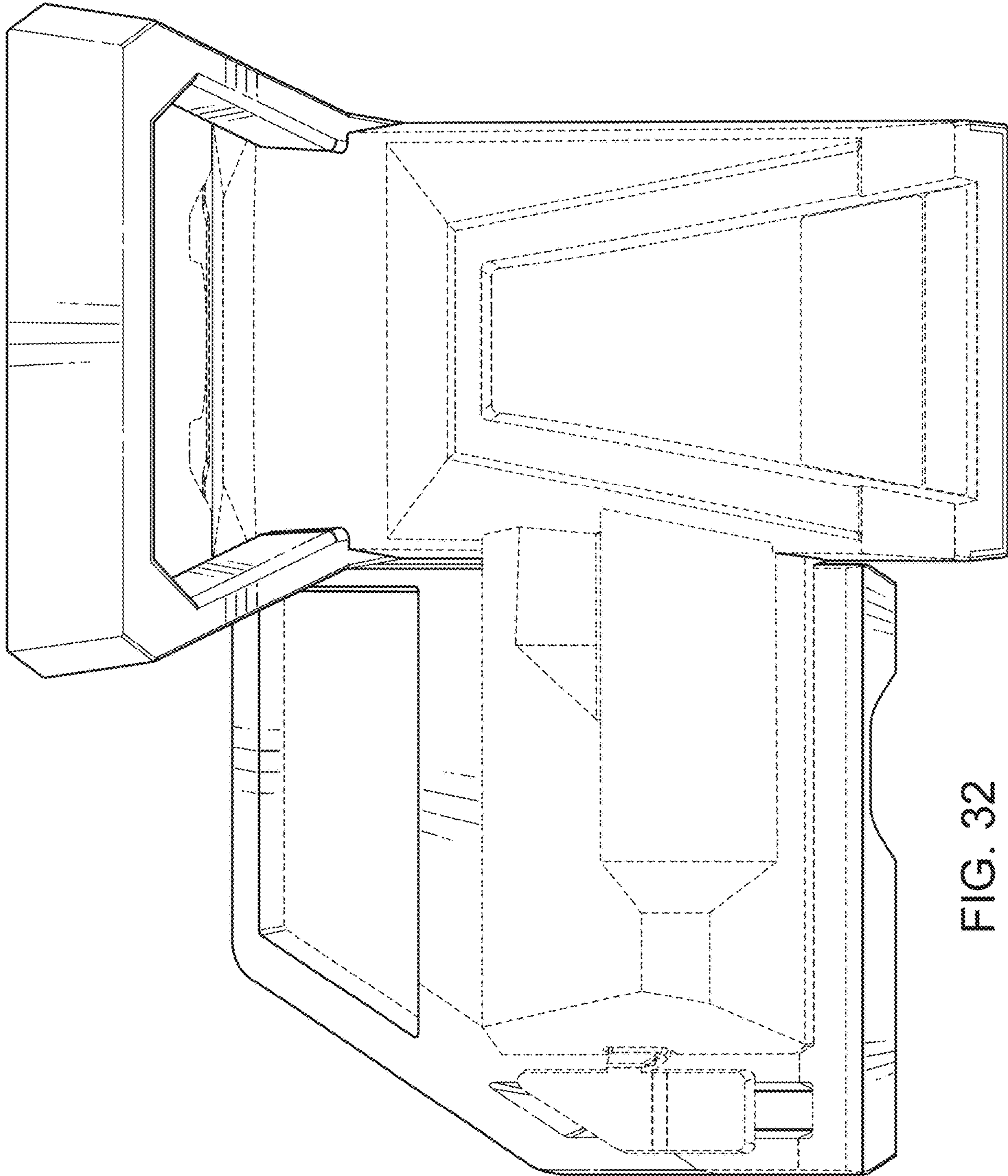


FIG. 32