

US00D900049S

(12) **United States Design Patent** (10) **Patent No.:** **US D900,049 S**
Liu (45) **Date of Patent:** **** Oct. 27, 2020**

(54) **MOBILE PHONE**
(71) Applicant: **Beijing Xiaomi Mobile Software Co., Ltd.**, Beijing (CN)
(72) Inventor: **Zhenhua Liu**, Beijing (CN)
(73) Assignee: **BEIJING XIAOMI MOBILE SOFTWARE CO., LTD.**, Beijing (CN)
(**) Term: **15 Years**
(21) Appl. No.: **29/685,358**
(22) Filed: **Mar. 28, 2019**
(30) **Foreign Application Priority Data**

Sep. 29, 2018 (CN) 2018 3 0553230

(51) **LOC (12) Cl.** **14-03**
(52) **U.S. Cl.**
USPC **D14/138 G**
(58) **Field of Classification Search**
USPC D14/138 G, 138 AD, 248, 341, 371, 374,
D14/138 R, 138 AA, 138 AB, 138 AC,
D14/138 C, 247
CPC H04M 1/0202; H04M 1/0235; H04M
1/0237; H04M 1/0239; H04M 1/0266;
H04M 1/0268; H04M 1/027; H04M
1/0295; H04M 1/02; H04M 1/0279;
H04M 1/0283
See application file for complete search history.

(56) **References Cited**

U.S. PATENT DOCUMENTS

D718,266 S * 11/2014 Zhang D14/138 G
D718,268 S * 11/2014 Wu D14/138 G
D720,712 S * 1/2015 Park D14/138 G
D733,085 S * 6/2015 Kim D14/138 G
D753,088 S * 4/2016 Wu D14/138 G
D766,861 S * 9/2016 Lee D14/138 G

D767,520 S * 9/2016 Joungh D14/138 G
D768,105 S * 10/2016 Kim D14/138 G
D770,999 S * 11/2016 Park D14/138 G
D776,074 S * 1/2017 Choo D14/138 AB
D778,254 S * 2/2017 Choo D14/138 G
D783,563 S * 4/2017 Choo D14/138 AA
D788,732 S * 6/2017 Choe D14/138 G
D791,095 S * 7/2017 Kim D14/138 G
D797,693 S * 9/2017 Park D14/138 AB
D798,258 S * 9/2017 Park D14/138 AB
D798,264 S * 9/2017 Shin D14/138 G
D813,185 S * 3/2018 Wu D14/138 G
D818,980 S * 5/2018 Kim D14/138 G
D818,983 S * 5/2018 Cho D14/138 G
D824,356 S * 7/2018 Shin D14/138 G
D827,626 S * 9/2018 Berneth D14/248
D839,857 S * 2/2019 Berneth D14/248
D866,501 S * 11/2019 Shin D14/138 G

(Continued)

Primary Examiner — Bridget L Eland

(74) *Attorney, Agent, or Firm* — Syncoda LLC; Feng Ma

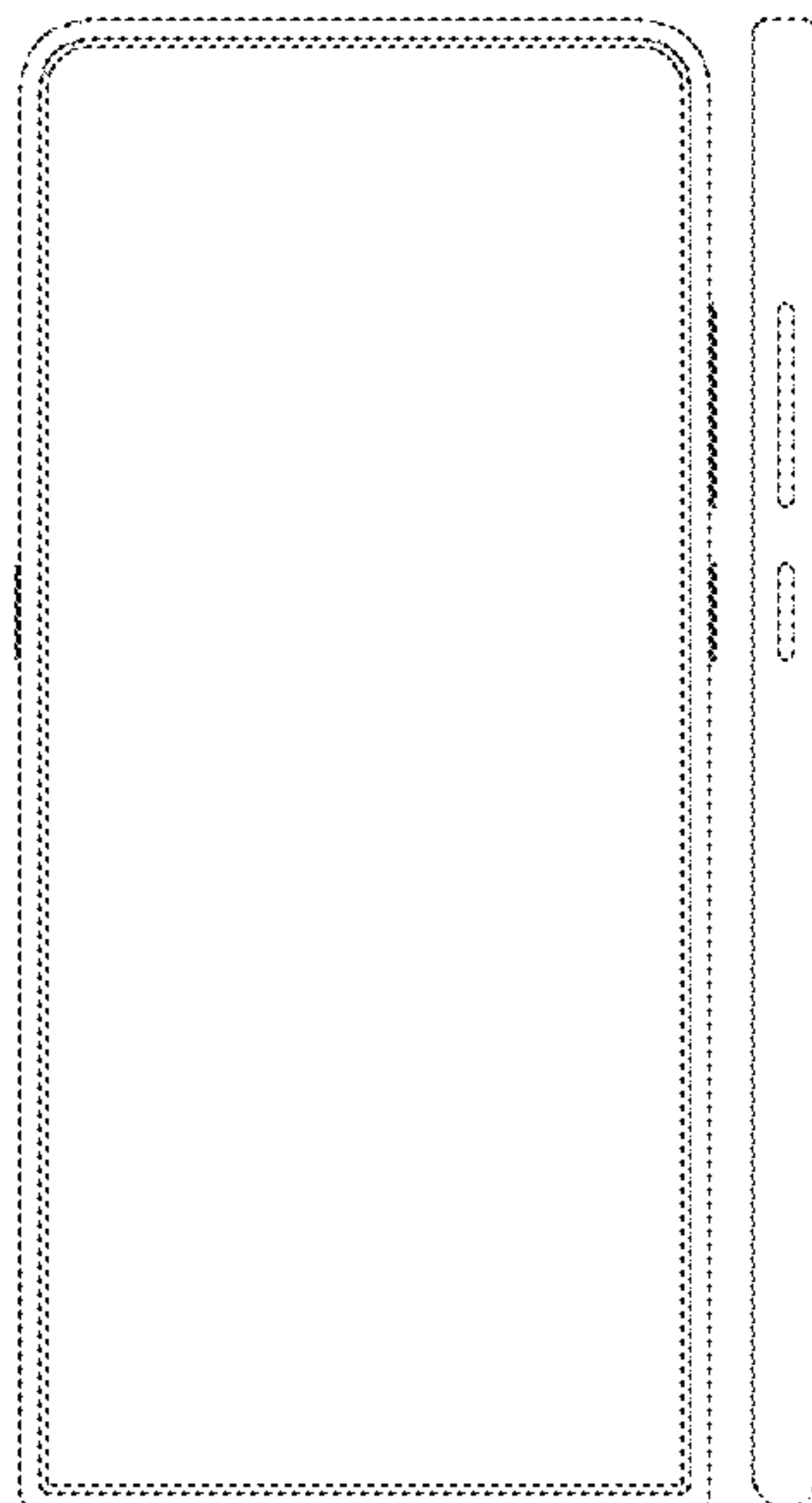
(57) **CLAIM**

The ornamental design for a mobile phone, as shown and described.

DESCRIPTION

FIG. 1 is a front view of a mobile phone, showing my new design in a first state of use;
FIG. 2 is a back view of the mobile phone of FIG. 1;
FIG. 3 is a left side view of the mobile phone of FIG. 1;
FIG. 4 is a right side view of the mobile phone of FIG. 1;
FIG. 5 is a top view of the mobile phone of FIG. 1;
FIG. 6 is a bottom view of the mobile phone of FIG. 1;
FIG. 7 is a front and right side perspective view of the mobile phone of FIG. 1 shown in a non-use state;
FIG. 8 is a back and left side perspective view of the mobile phone of FIG. 1; and,
FIG. 9 is another front view of the mobile phone of FIG. 1, shown in a second state of use.

1 Claim, 9 Drawing Sheets



(56)

References Cited

U.S. PATENT DOCUMENTS

D869,420 S * 12/2019 Cho D14/138 G
2009/0267464 A1 * 10/2009 Zhou H04M 1/0239
312/223.1

* cited by examiner

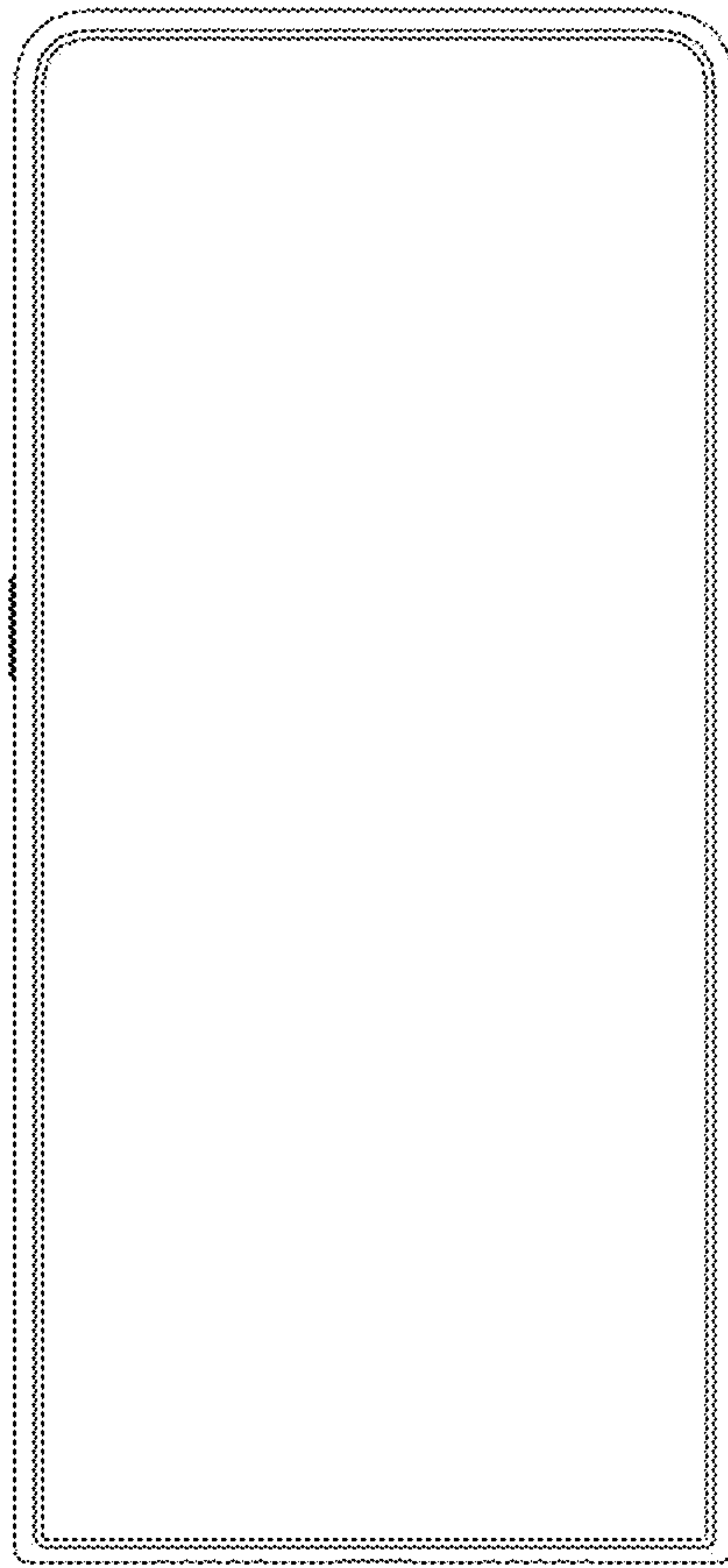


FIG. 1

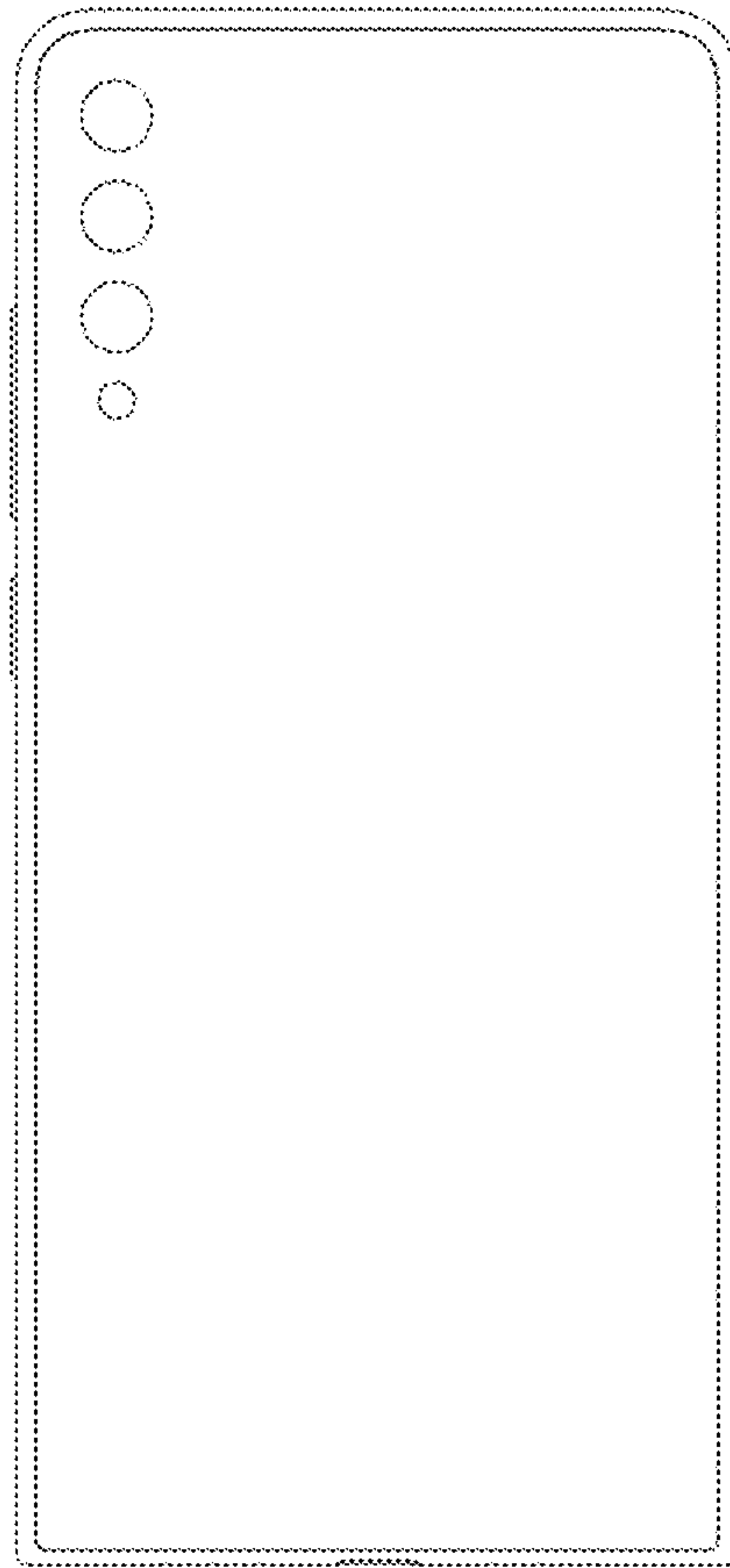


FIG. 2

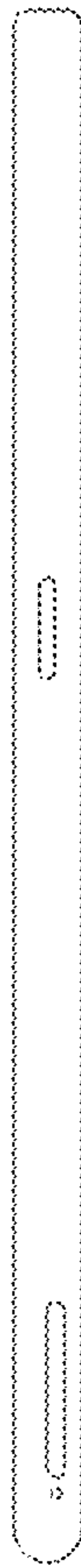


FIG. 3



FIG. 4



FIG. 5

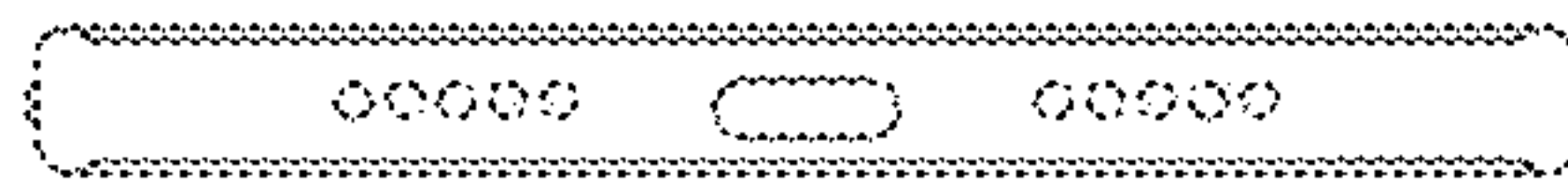


FIG. 6

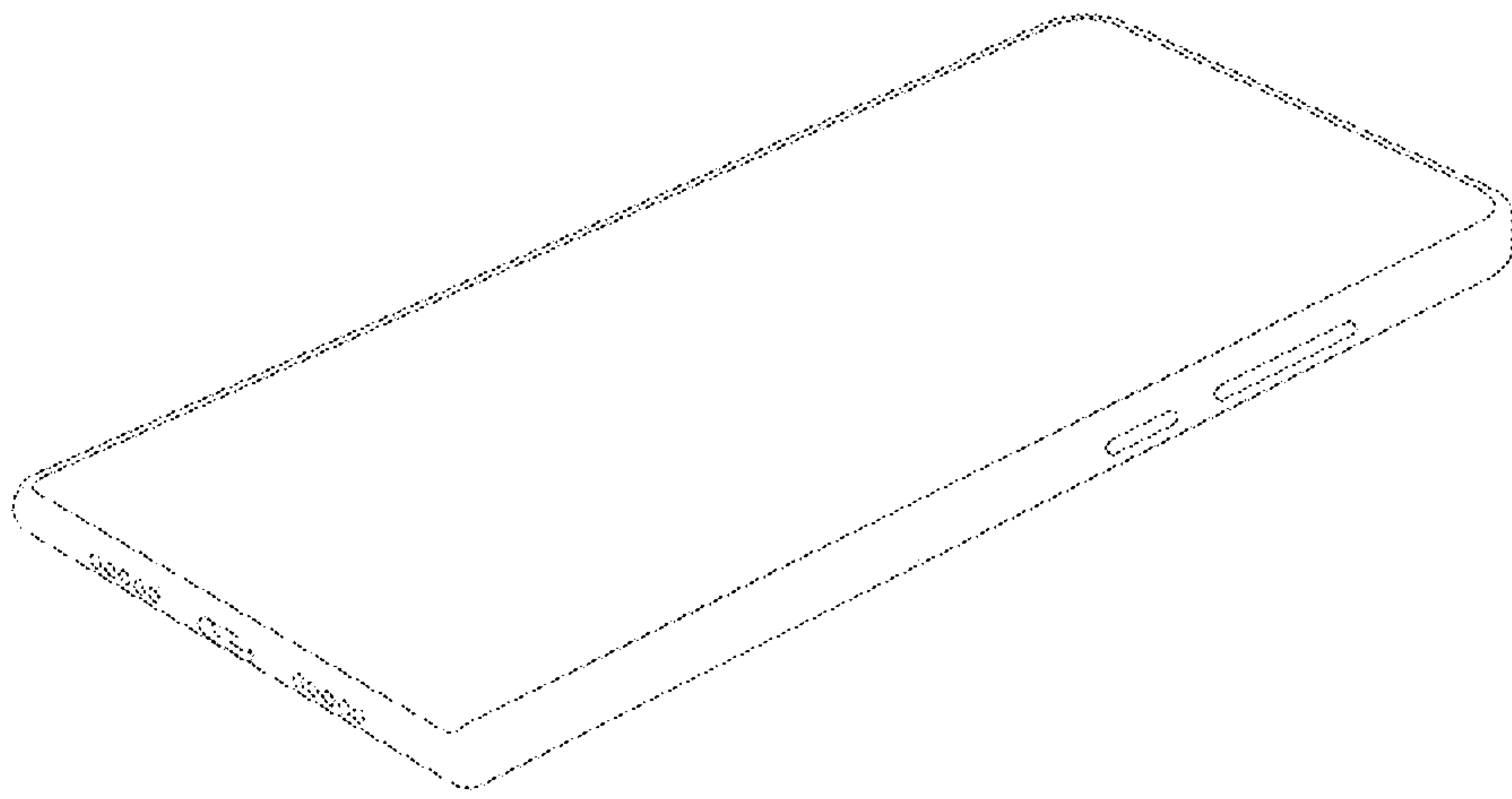


FIG. 7

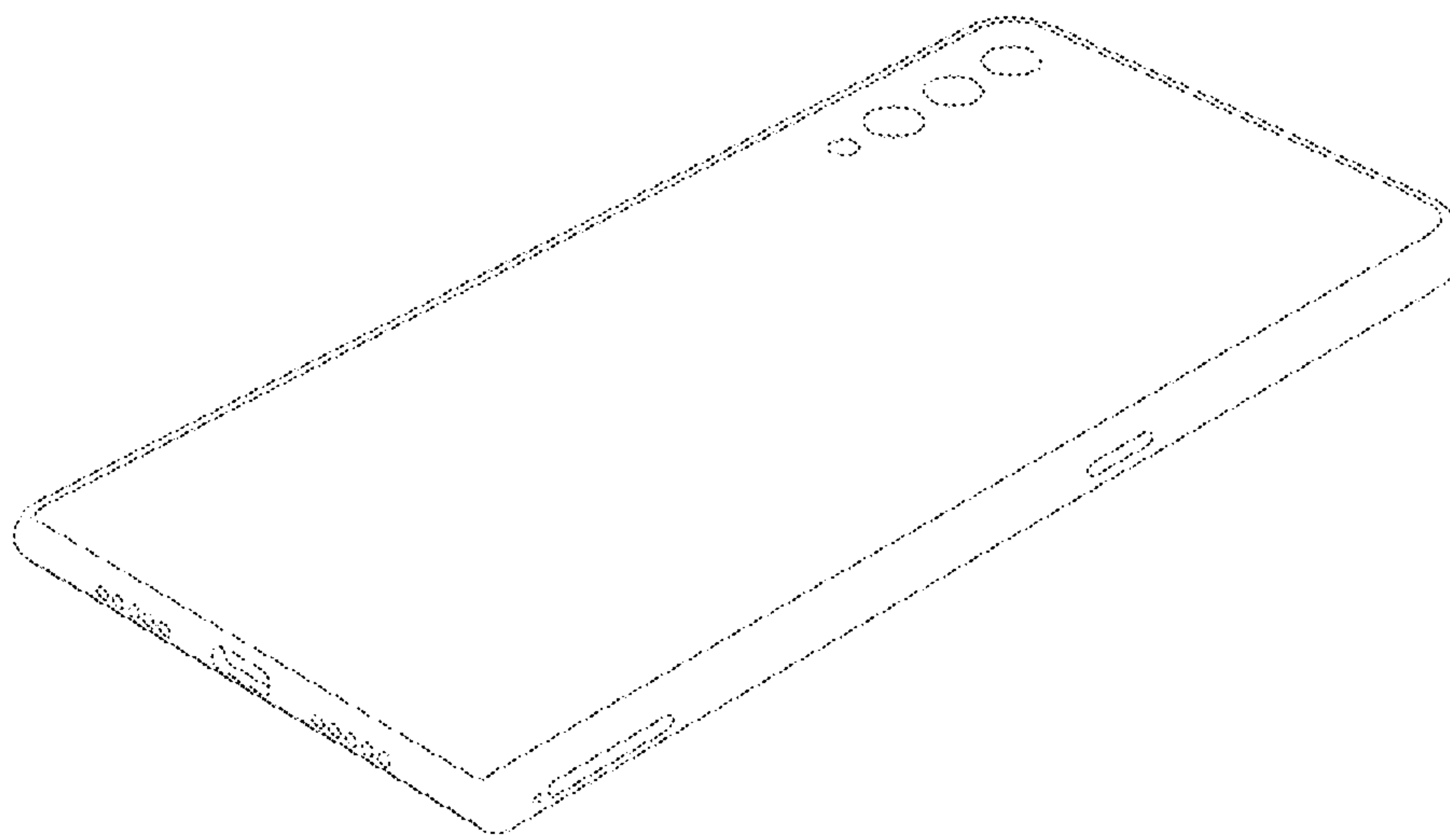


FIG. 8

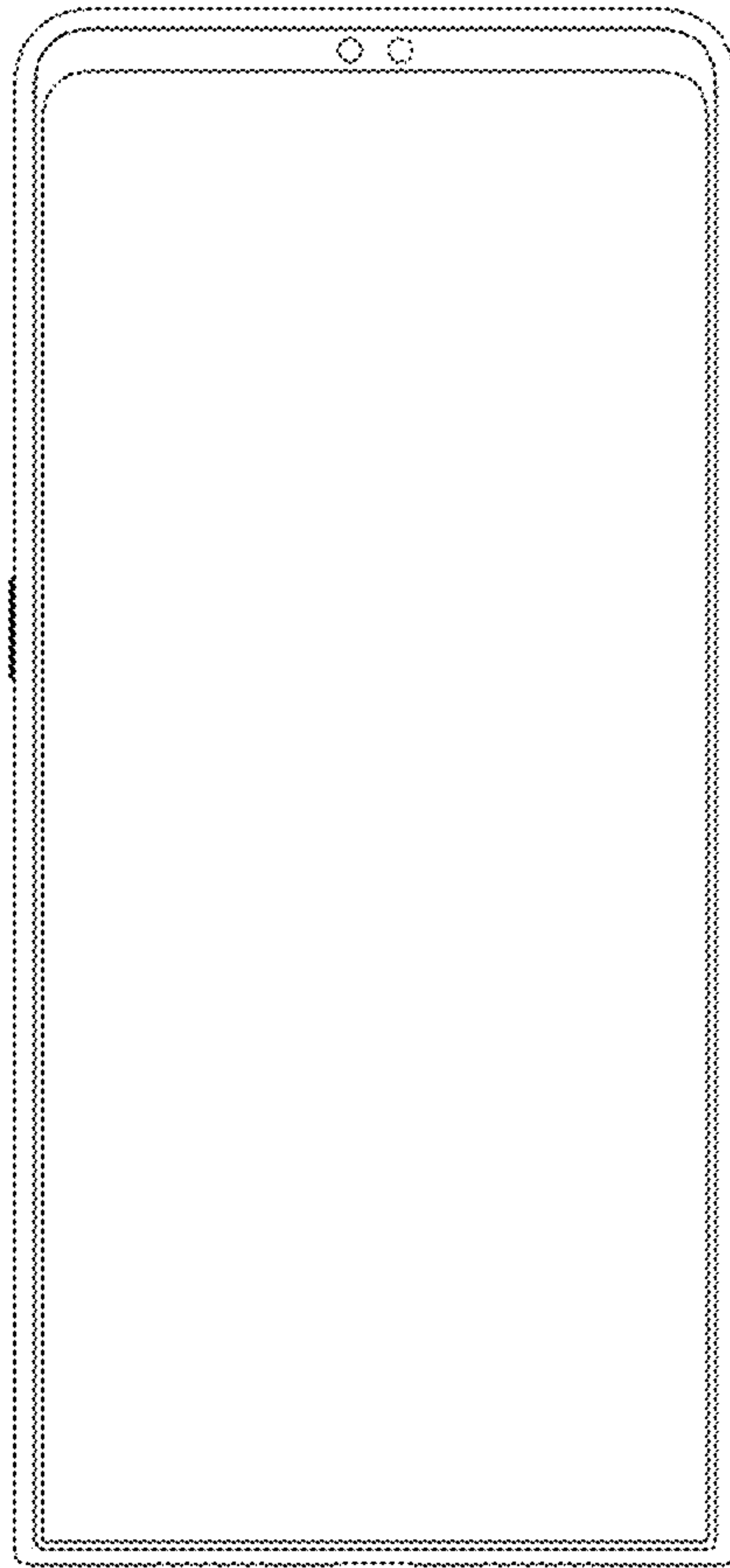


FIG. 9