



US00D900048S

(12) **United States Design Patent**
Huang

(10) **Patent No.:** **US D900,048 S**

(45) **Date of Patent:** **** Oct. 27, 2020**

(54) **WALKIE TALKIE**

D761,224 S * 7/2016 Khairudin D14/137
D880,442 S 4/2020 Wang
D889,424 S * 7/2020 Chen D14/137

(71) Applicant: **SHENZHEN YIZHONGGE ELECTRONICS CO., LTD.**, Shenzhen (CN)

OTHER PUBLICATIONS

(72) Inventor: **Yong Huang**, Chongqing (CN)

Motorola T260TP, Apr. 1, 2016, [online], [retrieved on Sep. 14, 2020]. Retrieved from Internet ,<URL: https://www.amazon.com/Motorola-T260TP-Talkabout-Radio-Pack/dp/B01DM7AEYE/ref=sr_1_13?dchild=1&keywords=walkie+talkies&qid=1600093143&sr=8-13>.*

(73) Assignee: **SHENZHEN YIZHONGGE ELECTRONICS CO., LTD.**, Shenzhen (CN)

Retevis RT16, Apr. 3, 2018, [online], [retrieved on Sep. 14, 2020]. Retrieved from Internet ,<URL:https://www.amazon.com>.*

(**) Term: **15 Years**

* cited by examiner

(21) Appl. No.: **29/740,416**

Primary Examiner — Bridget L Eland

(22) Filed: **Jul. 3, 2020**

(51) **LOC (12) Cl.** **14-03**

(57) **CLAIM**

(52) **U.S. Cl.**
USPC **D14/137**

The ornamental design for a walkie talkie, as shown and described.

(58) **Field of Classification Search**
USPC D14/137, 138 R, 138 AA, 138 AD
CPC .. H04B 1/3833; H04B 1/3827; H04B 1/3855;
H04B 2001/3861; H04M 1/0202; H04M
1/03; H04M 1/035
See application file for complete search history.

DESCRIPTION

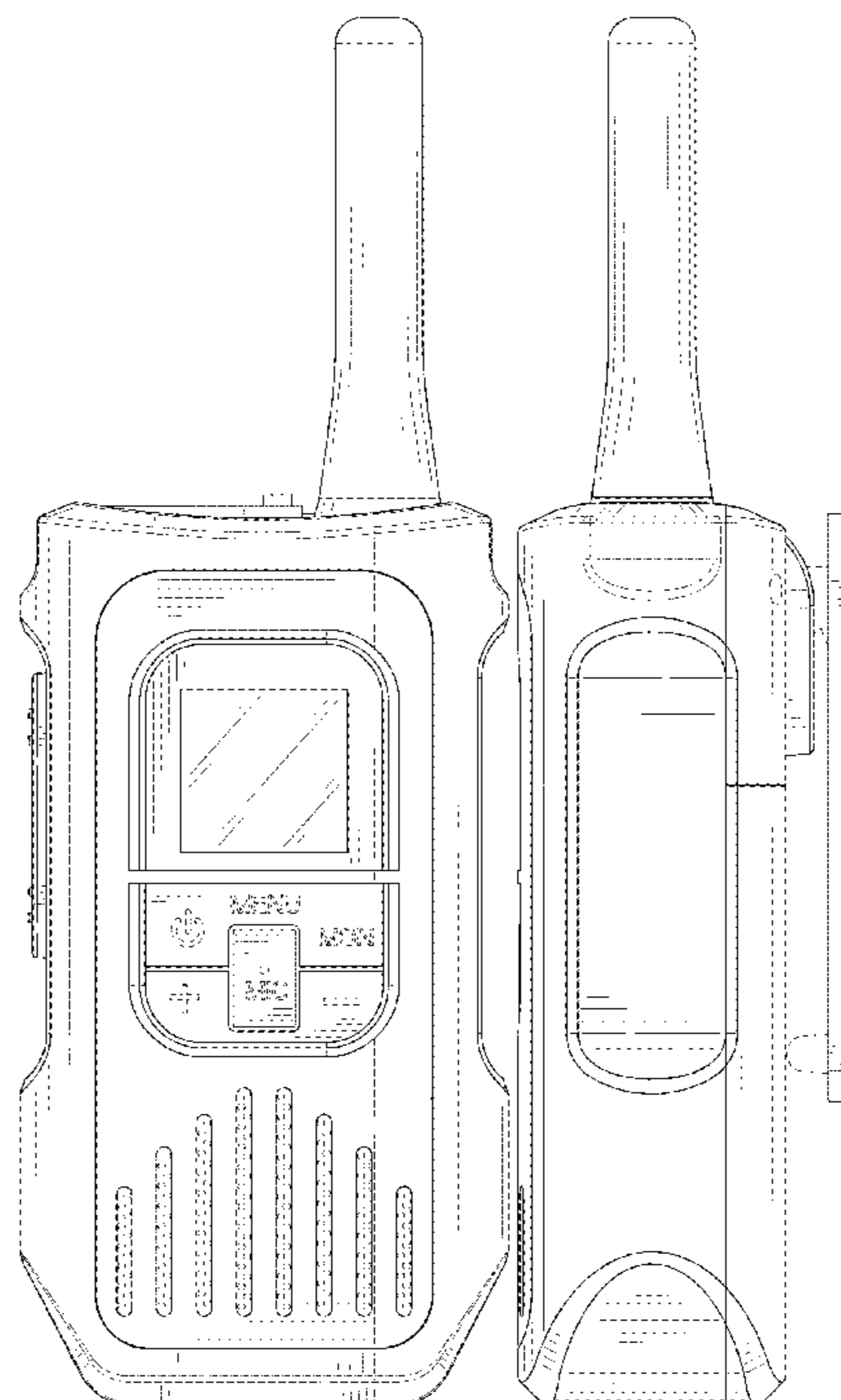
(56) **References Cited**

U.S. PATENT DOCUMENTS

D451,484 S * 12/2001 Page D14/137
D467,565 S * 12/2002 Pesqueira D14/137
D558,703 S 1/2008 Kwong
D635,946 S * 4/2011 Garra D14/137
D685,753 S * 7/2013 Kang D14/137
D700,157 S * 2/2014 Kang D14/137
D700,158 S * 2/2014 Kang D14/137

FIG. 1 is a perspective view of a walkie talkie showing my new design;
FIG. 2 is another perspective view thereof;
FIG. 3 is a front elevational view thereof
FIG. 4 is a rear elevational view thereof;
FIG. 5 is a left side elevational view thereof;
FIG. 6 is a right side elevational view thereof;
FIG. 7 is a top plan view thereof; and,
FIG. 8 is a bottom plan view thereof.
The broken lines in the drawings depict portions of the walkie talkie that form no part of the claimed design.

1 Claim, 8 Drawing Sheets



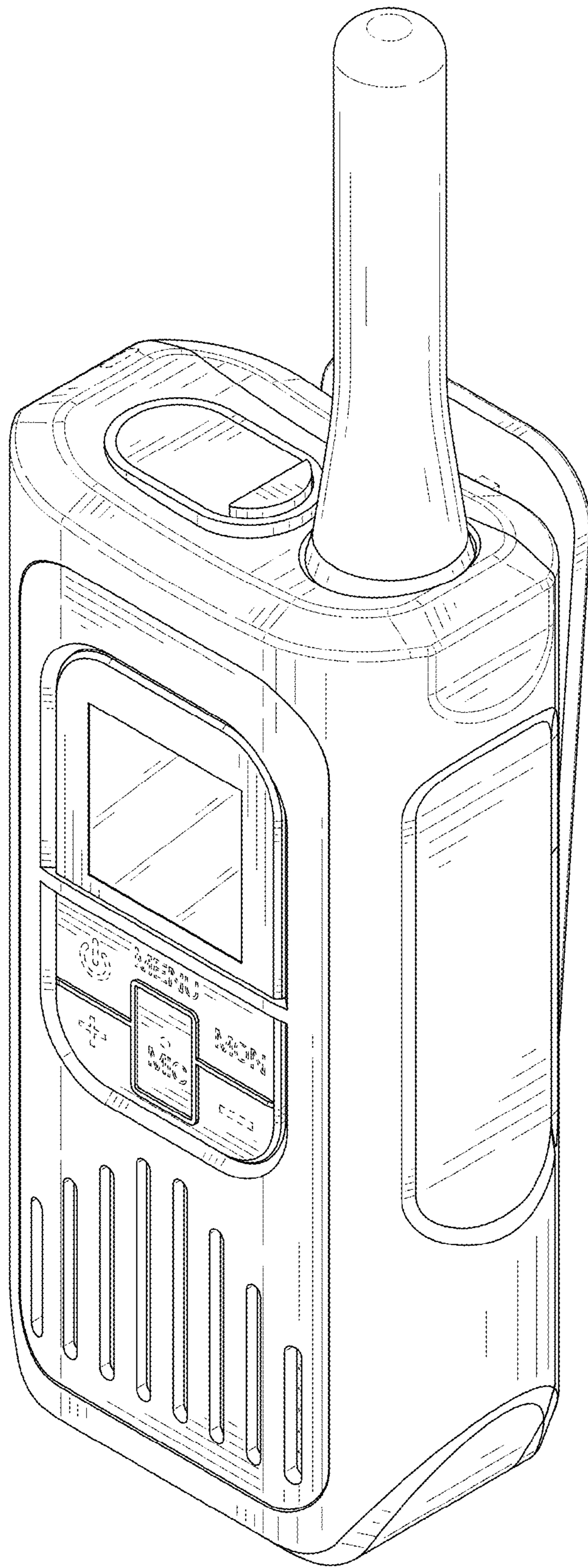


FIG. 1

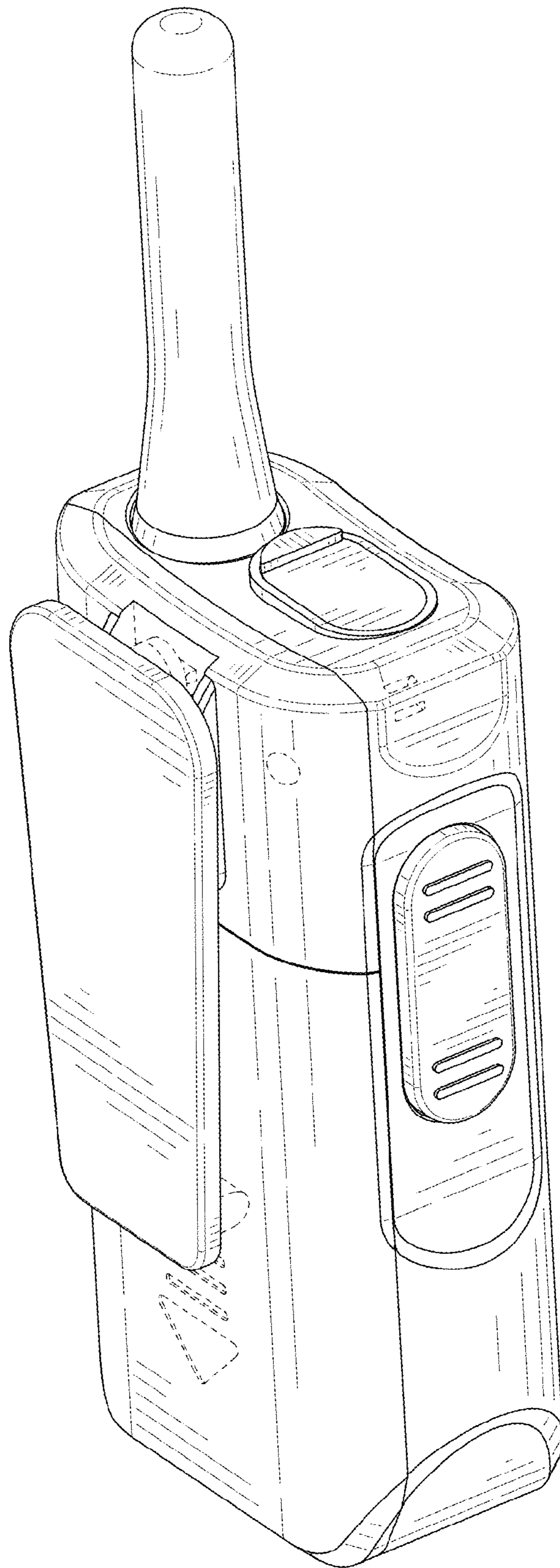


FIG. 2

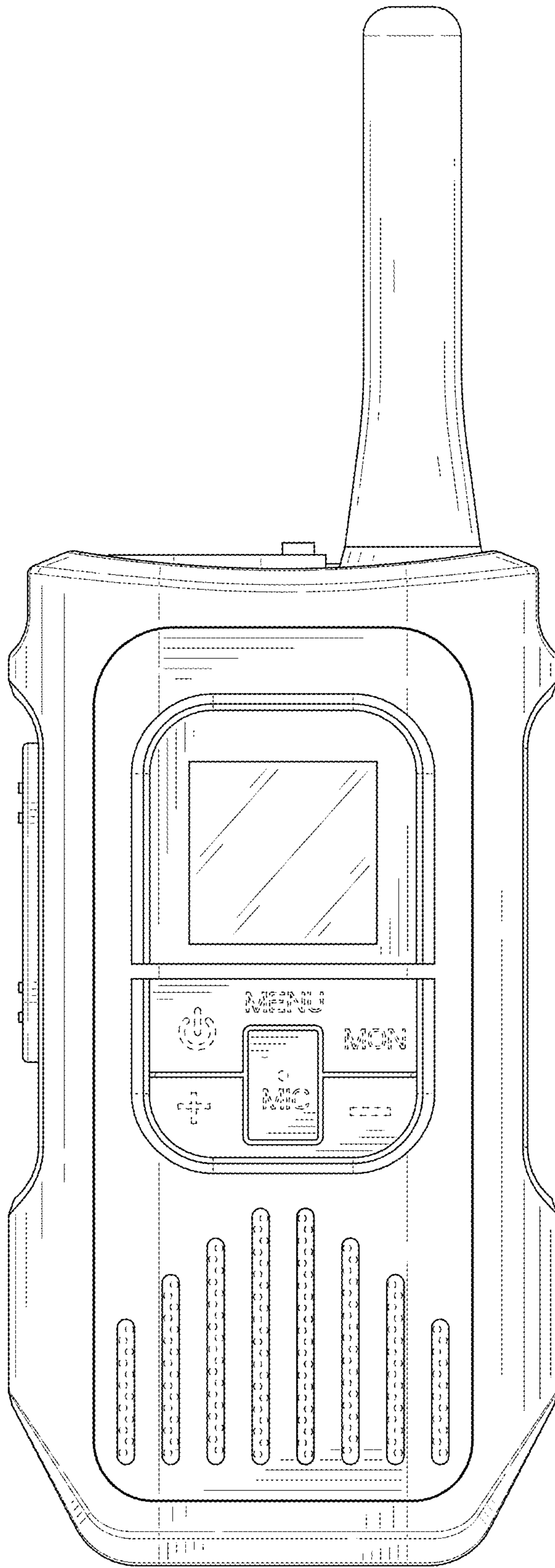


FIG. 3

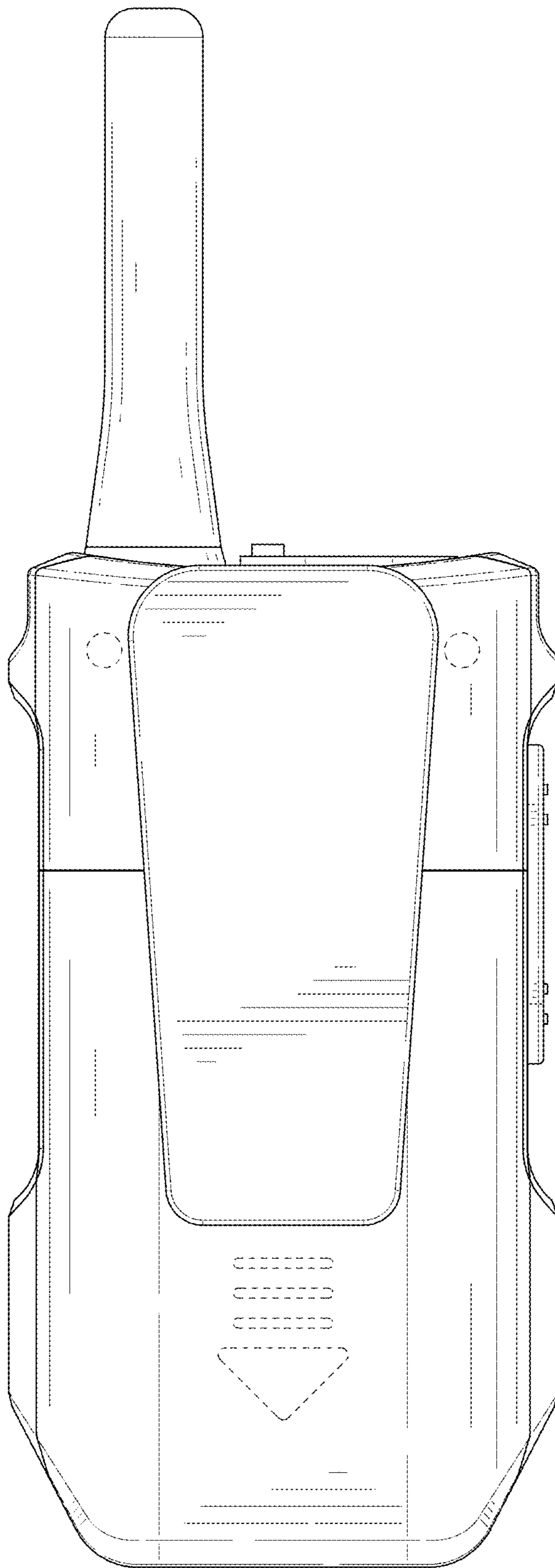


FIG. 4

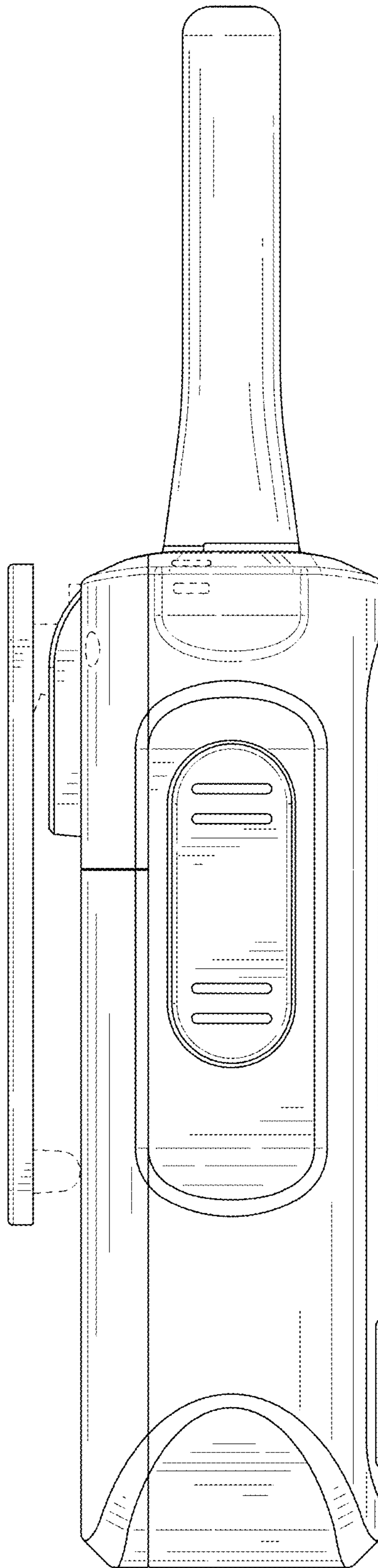


FIG. 5

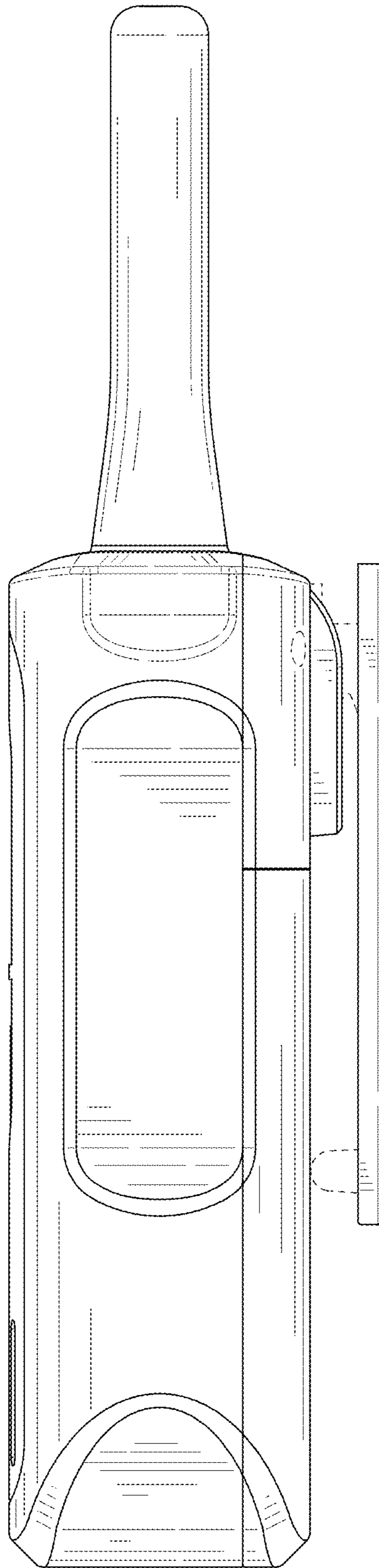


FIG. 6

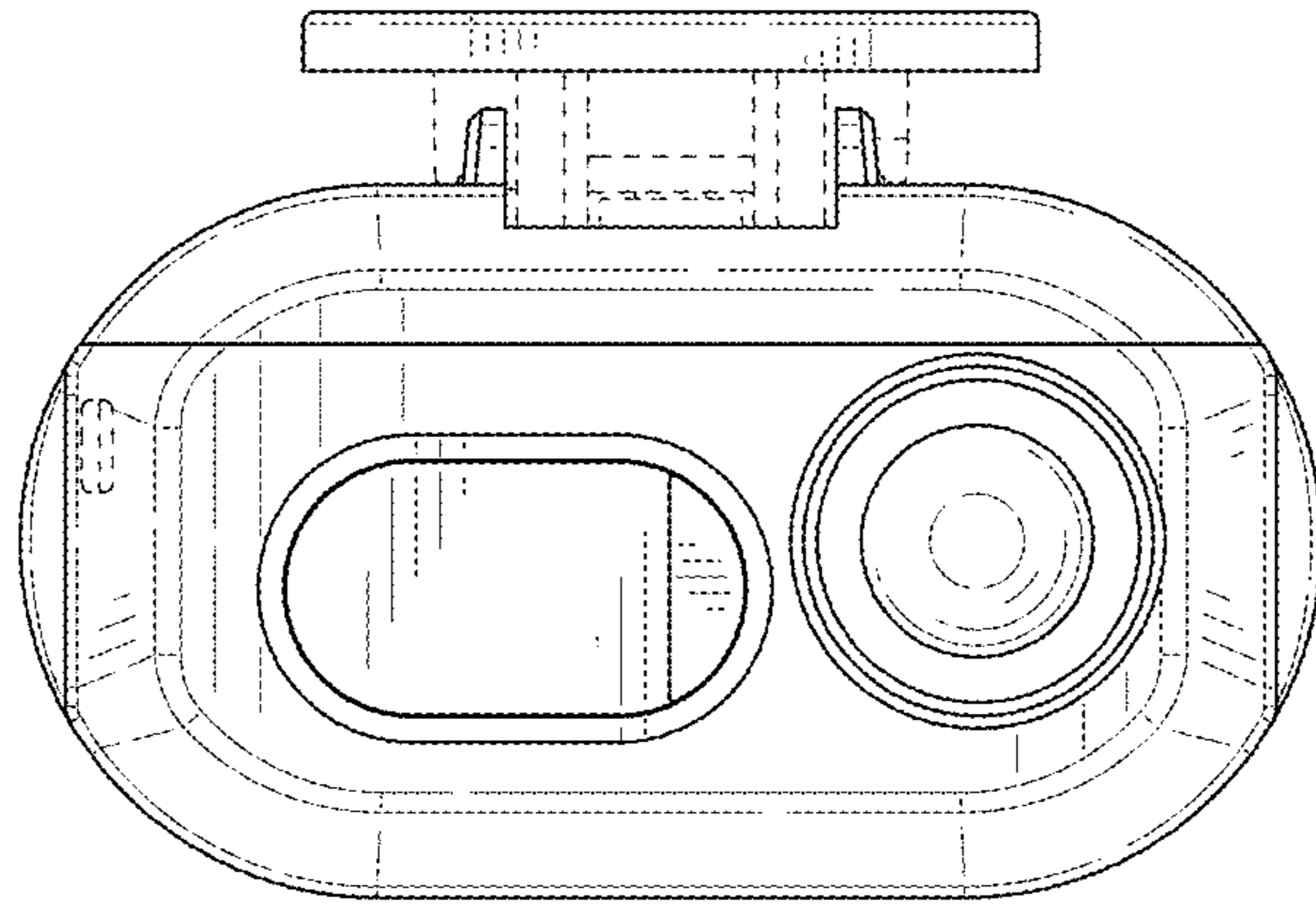


FIG. 7

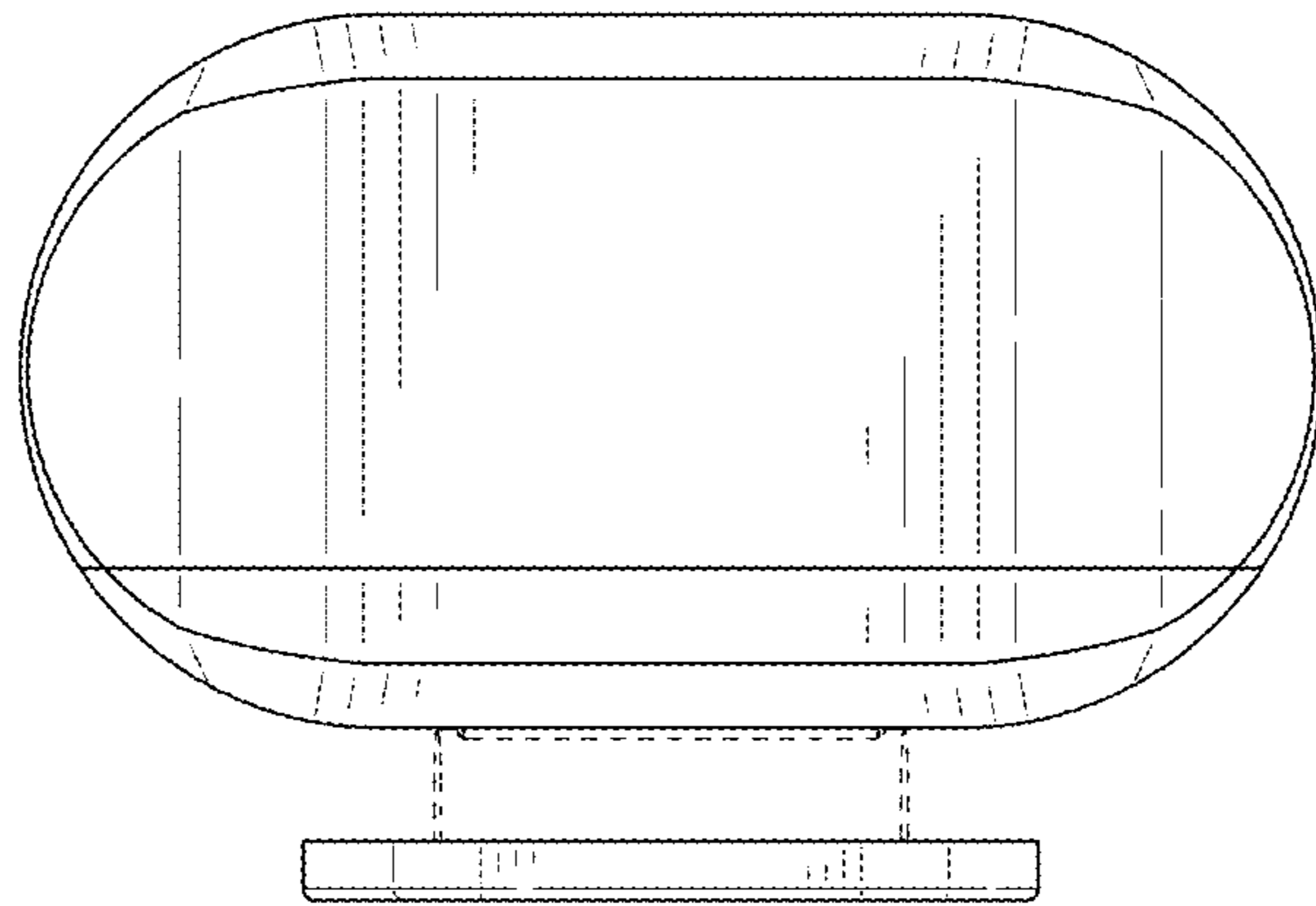


FIG. 8