



US00D900047S

(12) **United States Design Patent** (10) **Patent No.:** **US D900,047 S**  
**Jung et al.** (45) **Date of Patent:** **\*\* Oct. 27, 2020**

(54) **TELEVISION**

FOREIGN PATENT DOCUMENTS

(71) Applicant: **LG ELECTRONICS INC.**, Seoul (KR)

EM 002641779-0001 \* 3/2015  
RU 00095862 \* 10/2015

(72) Inventors: **Jaeneung Jung**, Seoul (KR); **Yooseok Kim**, Seoul (KR); **Yuonui Chong**, Seoul (KR); **Byunglok Jeon**, Seoul (KR); **Jongchul Kim**, Seoul (KR)

OTHER PUBLICATIONS

LG OLED55B9PUAB9, announced May 8, 2019 [online], [retrieved Mar. 1, 2020]. Available from Internet, URL: <<https://www.amazon.com/LG-OLED55B9PUA-Ultra-Smart-OLED/dp/B07RMSJT4J>> (Year: 2019).\*

(73) Assignee: **LG ELECTRONICS INC.**, Seoul (KR)

(Continued)

(\*\*) Term: **15 Years**

*Primary Examiner* — Dana K Weiland

(21) Appl. No.: **35/506,766**

(74) *Attorney, Agent, or Firm* — Birch, Stewart, Kolasch & Birch, LLP

(22) Filed: **Nov. 15, 2018**

(57) **CLAIM**

The ornamental design for a television, as shown and described.

(80) **Hague Agreement Data**

Int. Filing Date: **Nov. 15, 2018**

Int. Reg. No.: **DM/200265**

Int. Reg. Date: **Nov. 15, 2018**

Int. Reg. Pub. Date: **May 17, 2019**

**DESCRIPTION**

(30) **Foreign Application Priority Data**

May 25, 2018 (KR) ..... 30-2018-0024306

(51) **LOC (12) Cl.** ..... **14-03**

(52) **U.S. Cl.**  
USPC ..... **D14/126**

(58) **Field of Classification Search**

USPC ..... D14/125, 126, 127-137, 239, 314-316, D14/322, 326, 334-336, 339, 340, 341,

(Continued)

1. Television

**1.1** is a front perspective view of a television showing the new design;

**1.2** is a rear perspective view thereof;

**1.3** is a front view thereof;

**1.4** is a rear view thereof;

**1.5** is a left side view thereof;

**1.6** is a right side view thereof;

**1.7** is a top view thereof;

**1.8** is a bottom view thereof;

**1.9** is an enlarged view of the portion of the television shown within the area designated as **1.9** in reproduction **1.1**; and

**1.10** is an enlarged view of the portion of the television shown within the area designated as **1.10** in reproduction **1.5**.

The broken lines depict portions of the television that form no part of the claimed design; the dot-dashed lines indicate portions of the claimed design that are shown in the enlarged views, and form no part thereof.

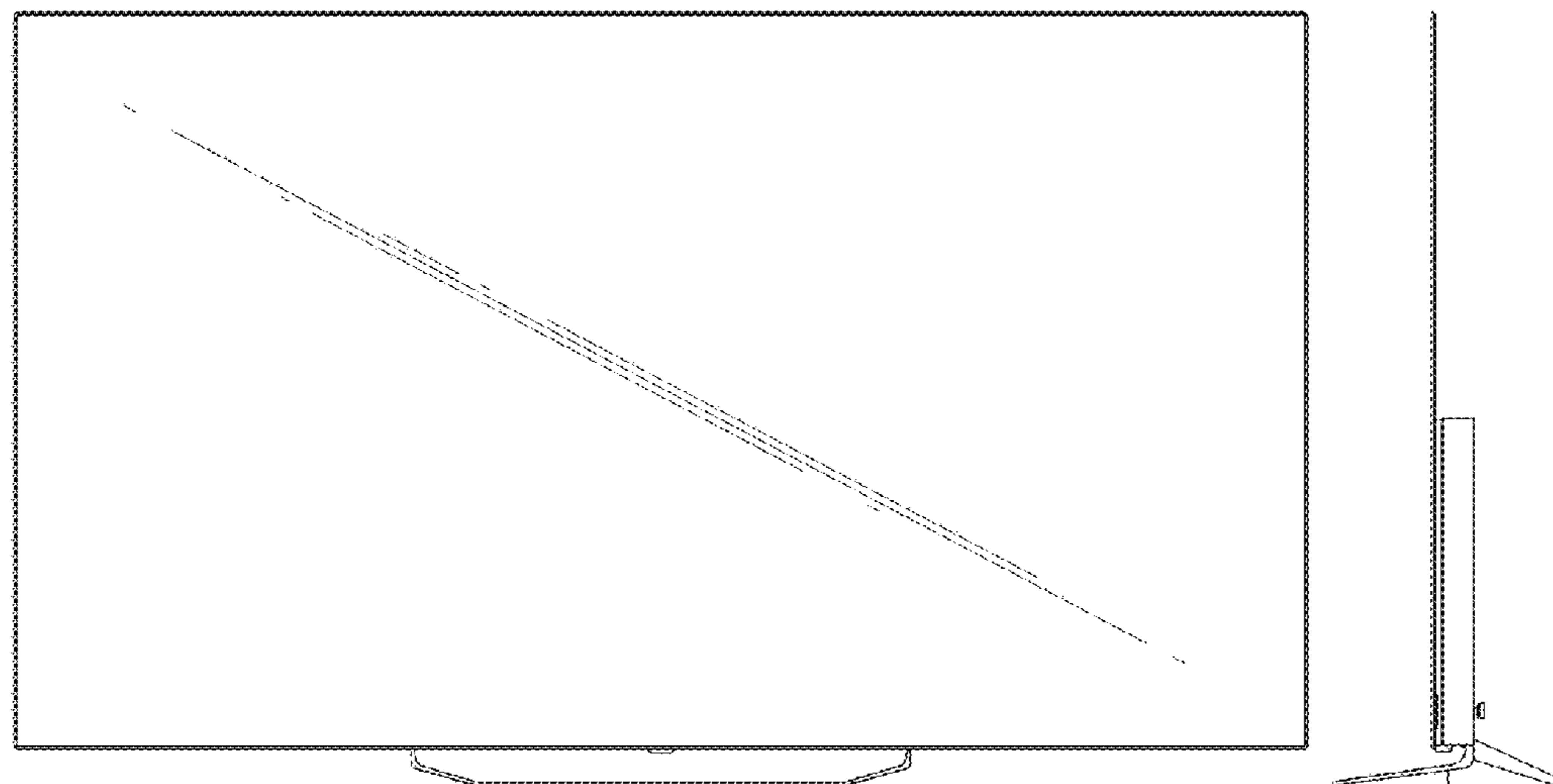
(56) **References Cited**

U.S. PATENT DOCUMENTS

D704,157 S \* 5/2014 Cha ..... D14/126  
D725,621 S \* 3/2015 Kim ..... D14/126

(Continued)

**1 Claim, 9 Drawing Sheets**



(58) **Field of Classification Search**

USPC ... D14/371, 373–374, 448, 450, 138 G, 248;  
           D6/300, 310, 314, 320, 332, 553, 657;  
                   D21/329, 332, 515, 324  
 CPC ..... G06F 1/16; G06F 1/1601; G06F 1/1637;  
           H04N 5/64; H05K 5/0204; H05K 5/0017;  
                   H05K 5/0217  
 See application file for complete search history.

D826,197 S \* 8/2018 Cha ..... D14/126  
 D826,886 S \* 8/2018 Cha ..... D14/126  
 D836,075 S \* 12/2018 Ryu ..... D14/126  
 D836,582 S \* 12/2018 Cha ..... D14/126  
 D836,583 S \* 12/2018 Cha ..... D14/126  
 D836,585 S \* 12/2018 Seo ..... D14/126  
 D836,586 S \* 12/2018 Cha ..... D14/126  
 D837,758 S \* 1/2019 Kim ..... D14/126  
 D845,259 S \* 4/2019 Won ..... D14/126  
 D847,111 S \* 4/2019 Won ..... D14/126  
 D852,154 S \* 6/2019 Won ..... D14/126  
 D852,156 S \* 6/2019 Jeon ..... D14/126  
 D869,416 S \* 12/2019 Choi ..... D14/126

(56) **References Cited**

U.S. PATENT DOCUMENTS

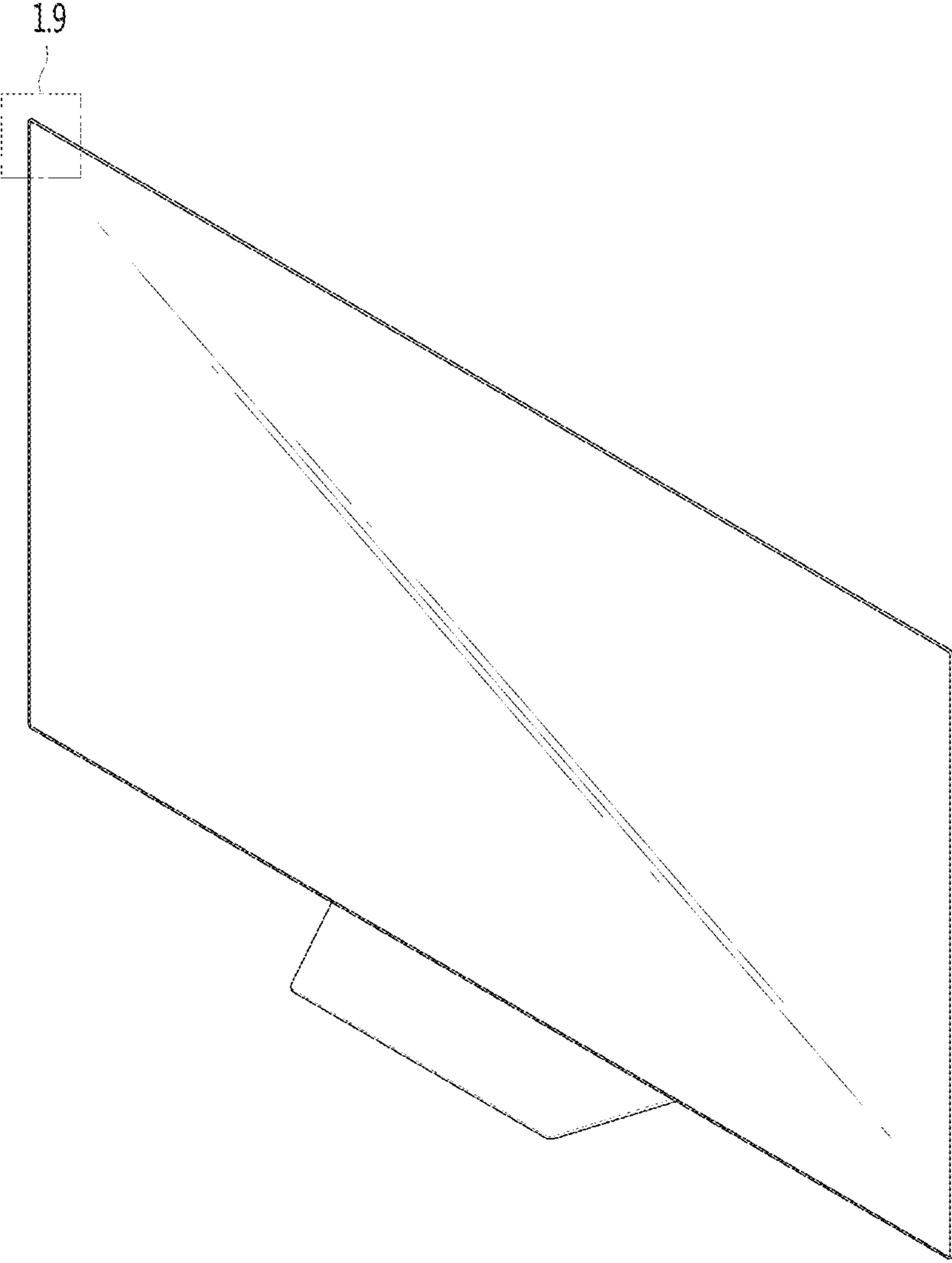
D763,211 S \* 8/2016 Kim ..... D14/126  
 D768,592 S \* 10/2016 Lee ..... D14/126  
 D769,207 S \* 10/2016 Won ..... D14/126  
 D774,484 S \* 12/2016 Han ..... D14/126  
 D775,094 S \* 12/2016 Kim ..... D14/126  
 D820,230 S \* 6/2018 Cha ..... D14/126  
 D820,231 S \* 6/2018 Cha ..... D14/126

OTHER PUBLICATIONS

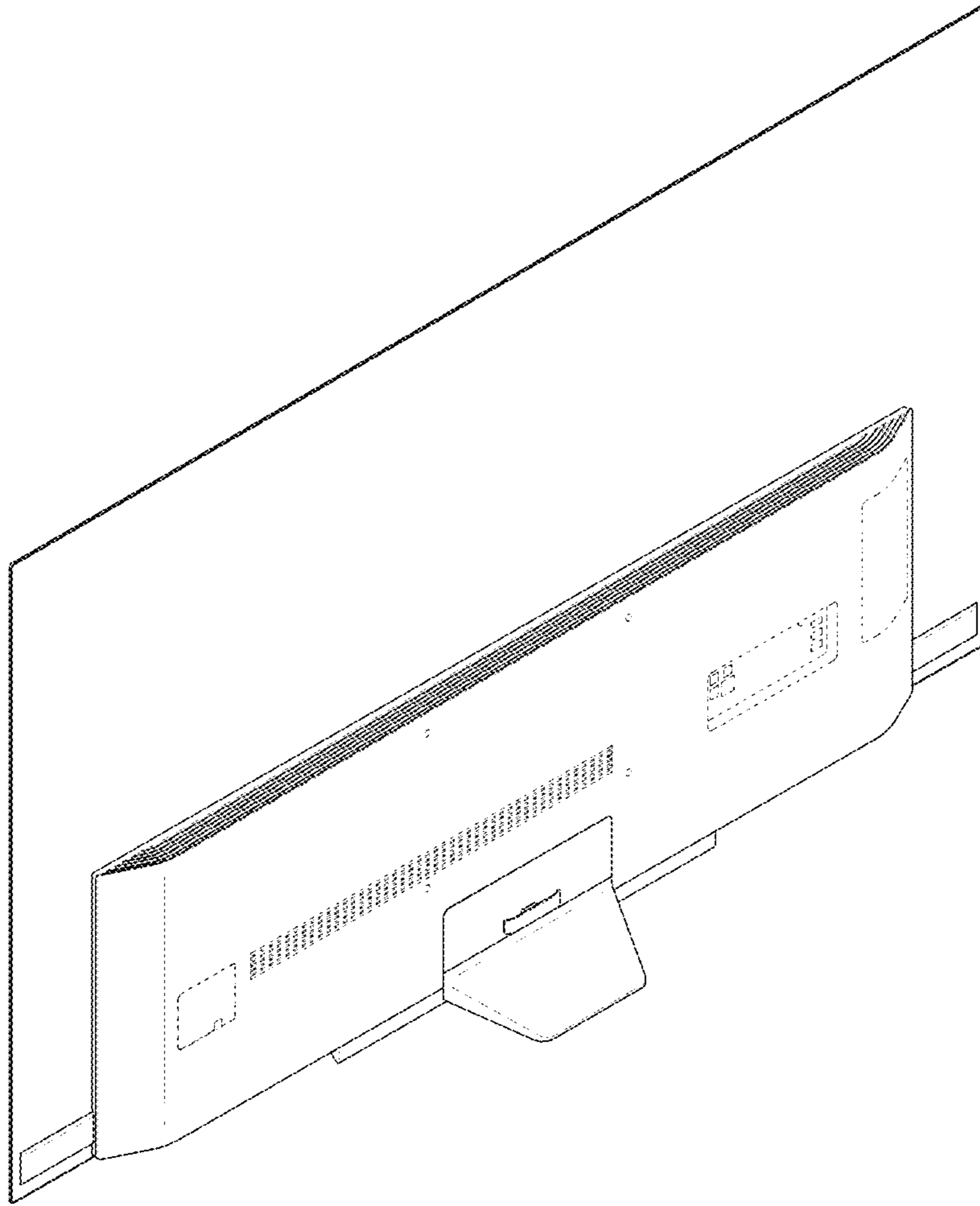
LG OLEDB8P series review, announced Nov. 1, 2018 [online],  
 [retrieved Mar. 1, 2020]. Available from Internet, URL: <<https://www.cnet.com/reviews/lg-oled65b8pua-review/>> (Year: 2018).\*

\* cited by examiner

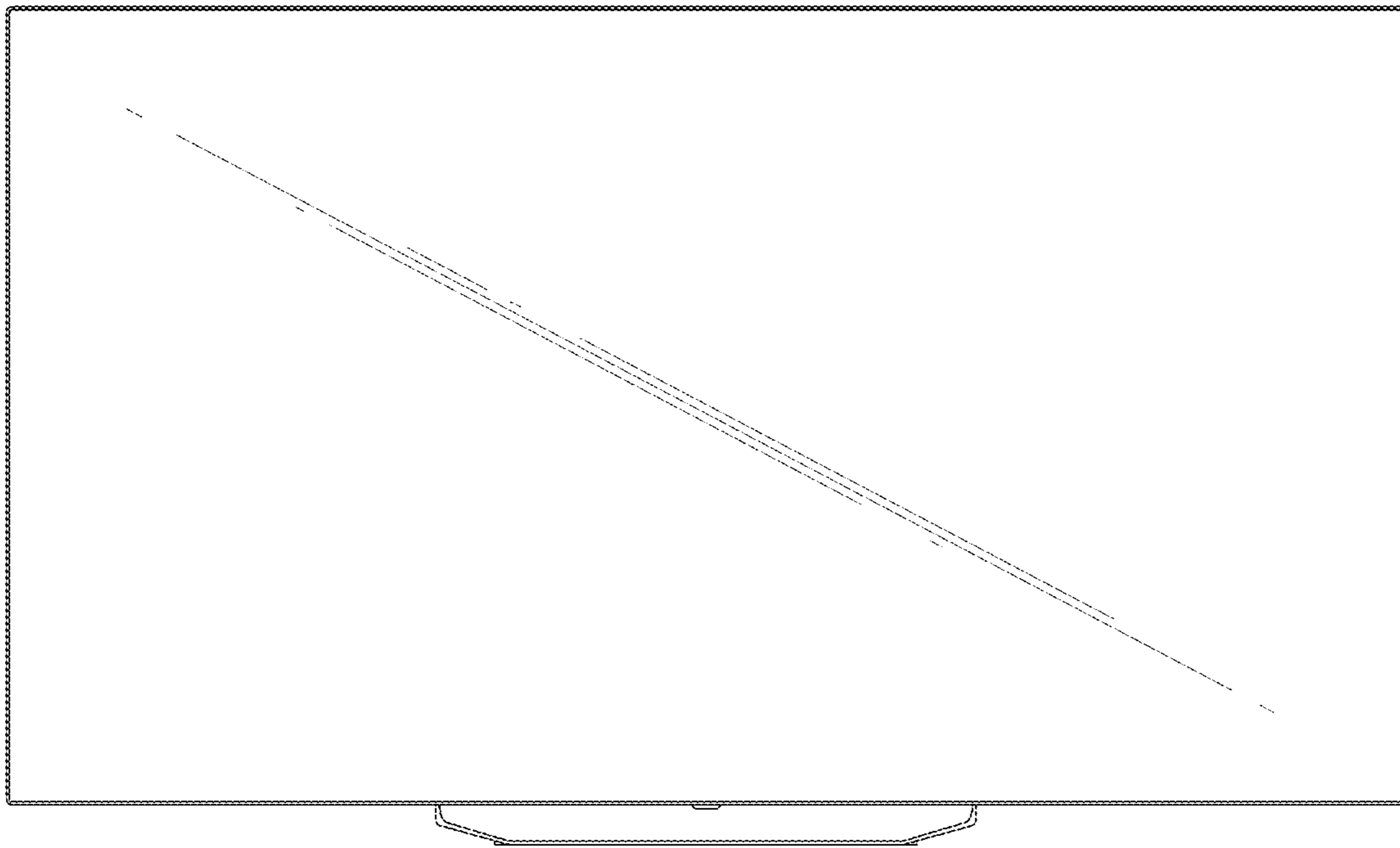
1.1



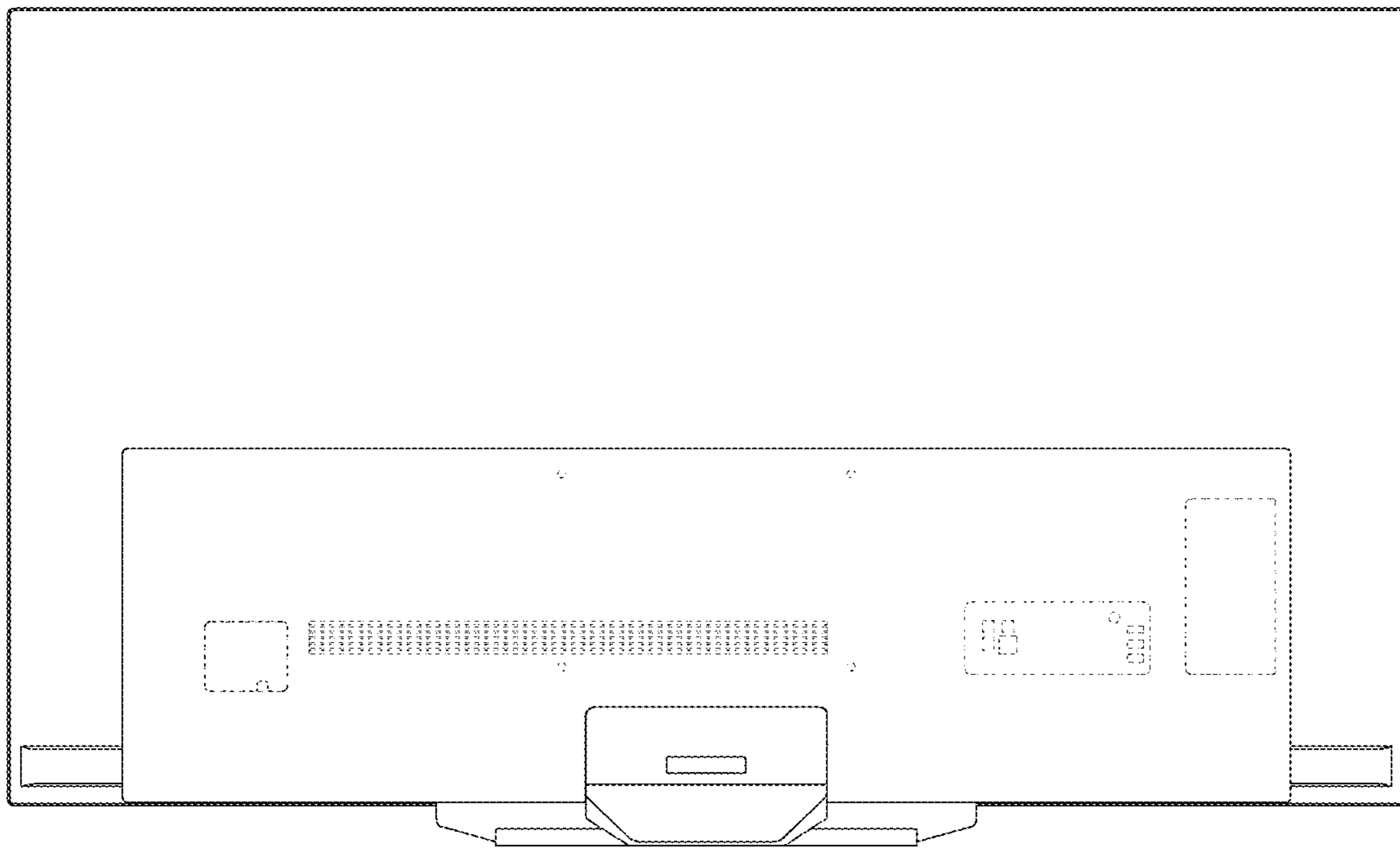
1.2



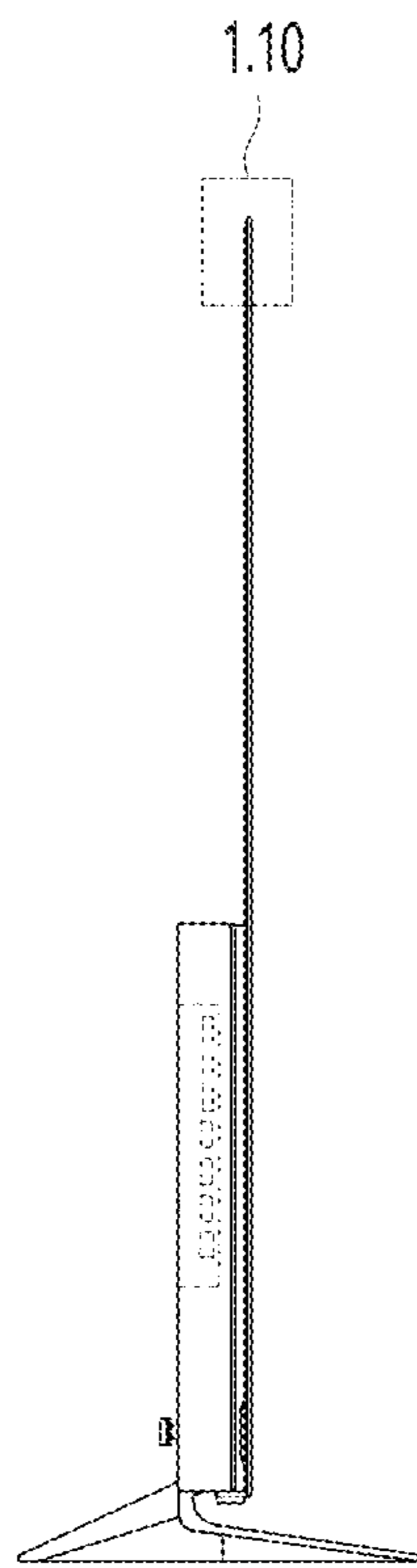
1.3



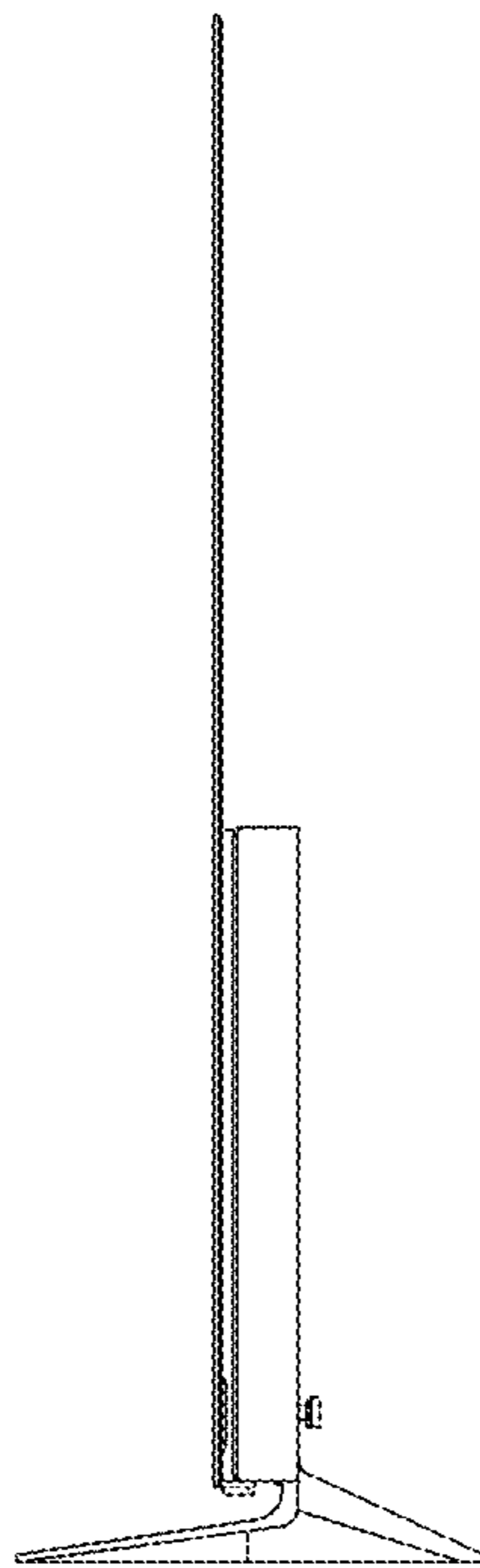
1.4



1.5

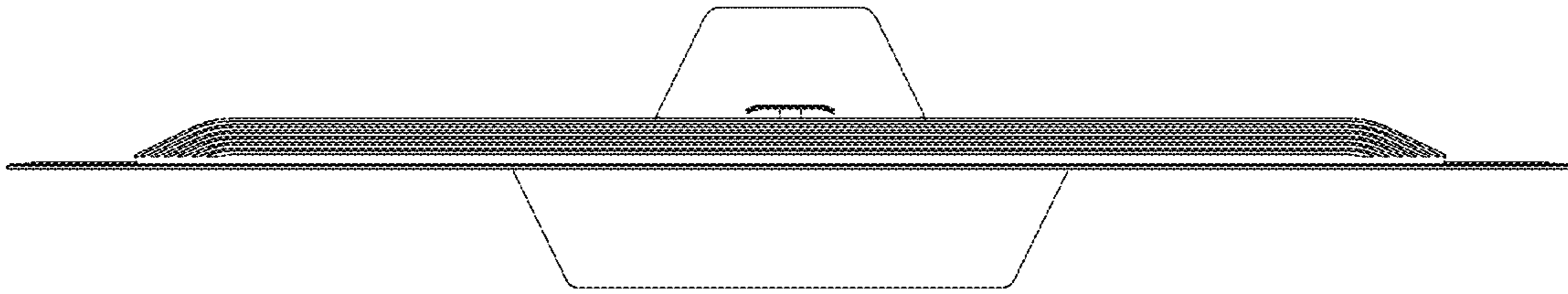


1.6

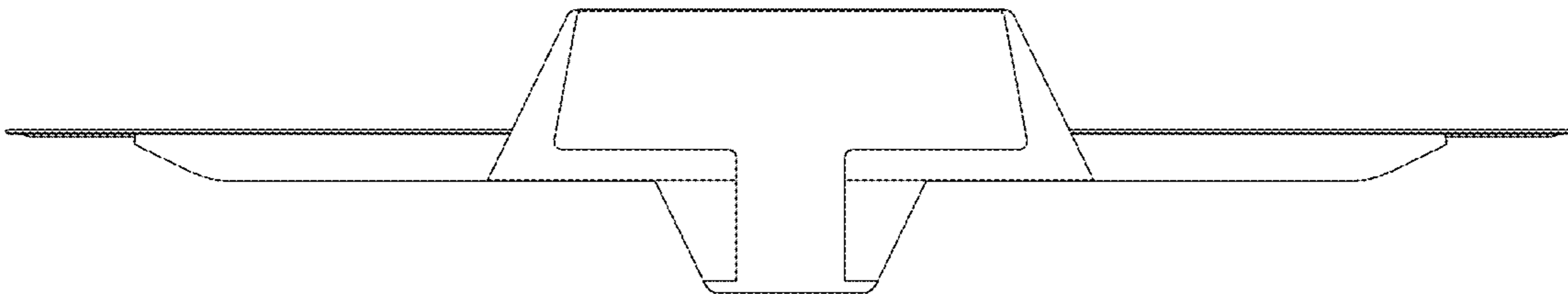




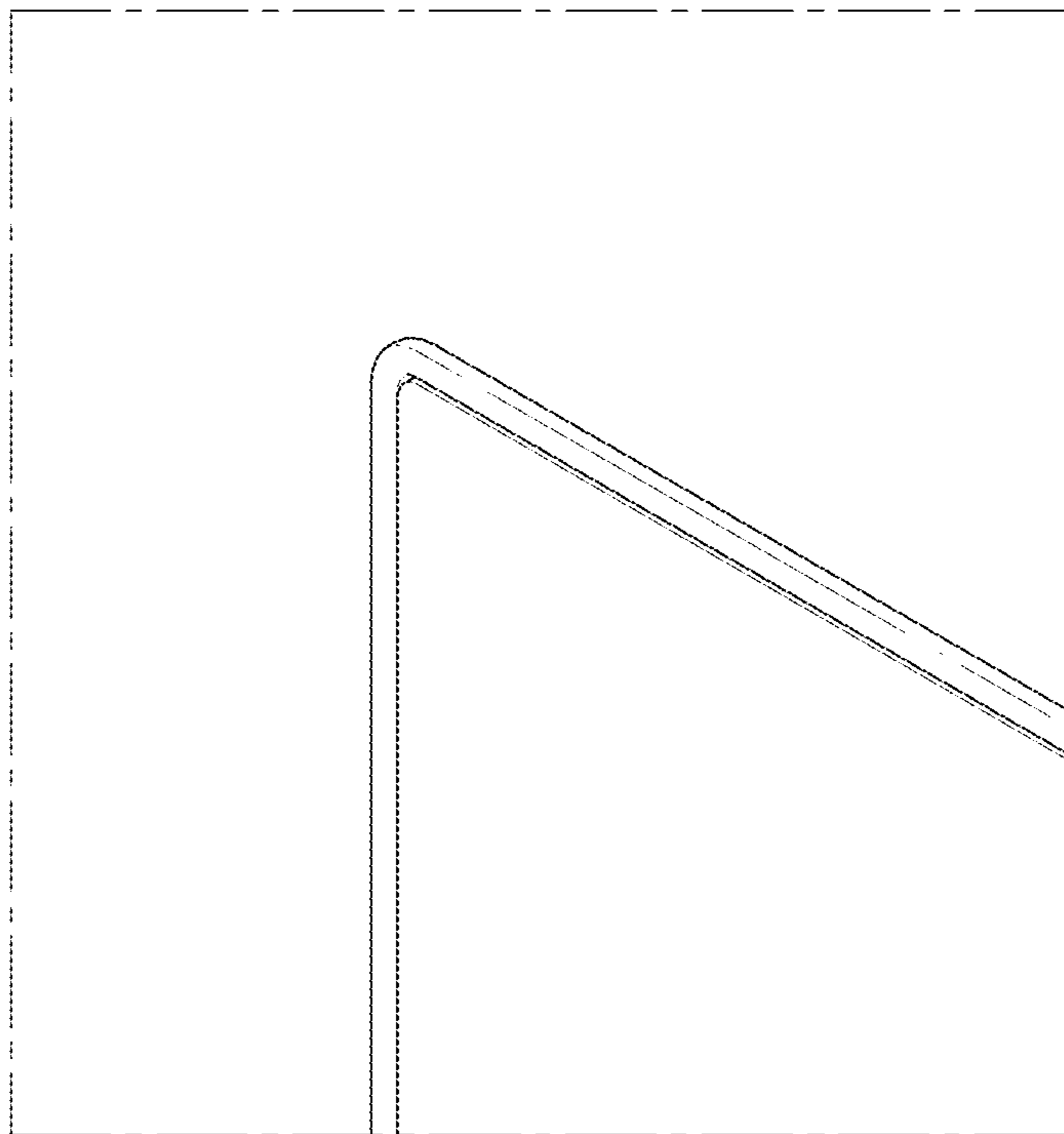
1.7



1.8



1.9



1.10

