



US00D900045S

(12) **United States Design Patent** (10) **Patent No.:** **US D900,045 S**
Jung et al. (45) **Date of Patent:** **** Oct. 27, 2020**

(54) **TELEVISION**

(71) Applicant: **LG ELECTRONICS INC.**, Seoul (KR)

(72) Inventors: **Jaeneung Jung**, Seoul (KR); **Yooseok Kim**, Seoul (KR); **Yuonui Chong**, Seoul (KR); **Byunglok Jeon**, Seoul (KR); **Jongchul Kim**, Seoul (KR)

(73) Assignee: **LG ELECTRONICS INC.**, Seoul (KR)

(**) Term: **15 Years**

(21) Appl. No.: **35/506,741**

(22) Filed: **Nov. 15, 2018**

(80) **Hague Agreement Data**

Int. Filing Date: **Nov. 15, 2018**

Int. Reg. No.: **DM/200053**

Int. Reg. Date: **Nov. 15, 2018**

Int. Reg. Pub. Date: **May 17, 2019**

(30) **Foreign Application Priority Data**

May 25, 2018 (KR) 30-2018-0024309

(51) **LOC (12) Cl.** **14-03**

(52) **U.S. Cl.**
USPC **D14/126**

(58) **Field of Classification Search**

USPC D14/125, 126, 127-137, 239, 314-316, D14/322, 326, 334-336, 339, 340, 341, D14/371, 373-374, 448, 450, 138 G, 248; D6/300, 310, 314, 320, 332, 553, 657; D21/329, 332, 515, 324

(Continued)

(56) **References Cited**

U.S. PATENT DOCUMENTS

D762,601 S * 8/2016 Seo D14/126
D768,592 S * 10/2016 Lee D14/126

(Continued)

OTHER PUBLICATIONS

LG OLED B9 vs OLED C9 Review, announced Sep. 3, 2019 [online], [retrieved Mar. 15, 2020]. Available from Internet, URL: <<https://www.4khdrtvcomparison.com/lg-oled-b9-vs-oled-c9-review-oled55b9-vs-oled55c9-oled65b9-vs-oled65c9/>> (Year: 2019).*

(Continued)

Primary Examiner — Dana K Weiland

(74) *Attorney, Agent, or Firm* — Birch, Stewart, Kolasch & Birch, LLP

(57) **CLAIM**

The ornamental design for a television, as shown and described.

DESCRIPTION

1. Television

1.1 is a front perspective view of a television showing the new design;

1.2 is a rear perspective view thereof;

1.3 is a front view thereof;

1.4 is a rear view thereof;

1.5 is a left side view thereof;

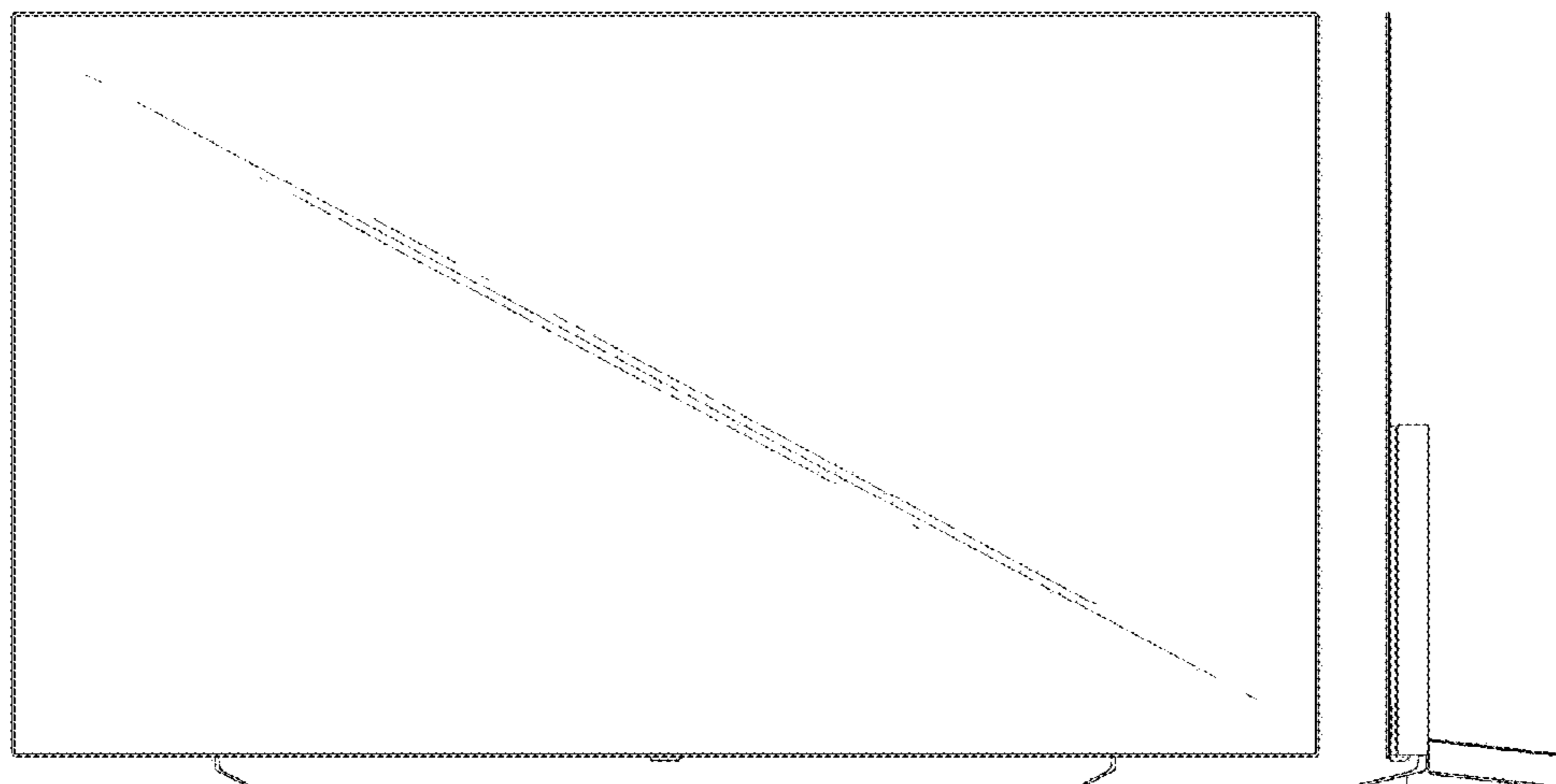
1.6 is a right side view thereof;

1.7 is a top view thereof;

1.8 is a bottom view thereof;

1.9 is an enlarged view of the portion of the television shown within the area designated as **1.9** in reproduction **1.1**; and

(Continued)



1.10 is an enlarged view of the portion of the television shown within the area designated as 1.10 in reproduction 1.5.

The broken lines depict portions of the television that form no part of the claimed design; the dot-dashed lines indicate portions of the claimed design that are shown in the enlarged views, and form no part thereof.

1 Claim, 9 Drawing Sheets

(58) Field of Classification Search

CPC G06F 1/16; G06F 1/1601; G06F 1/1637; H04N 5/64; H05K 5/0204; H05K 5/0017; H05K 5/0217

See application file for complete search history.

(56) References Cited

U.S. PATENT DOCUMENTS

D769,207 S * 10/2016 Won D14/126
D775,094 S * 12/2016 Kim D14/126

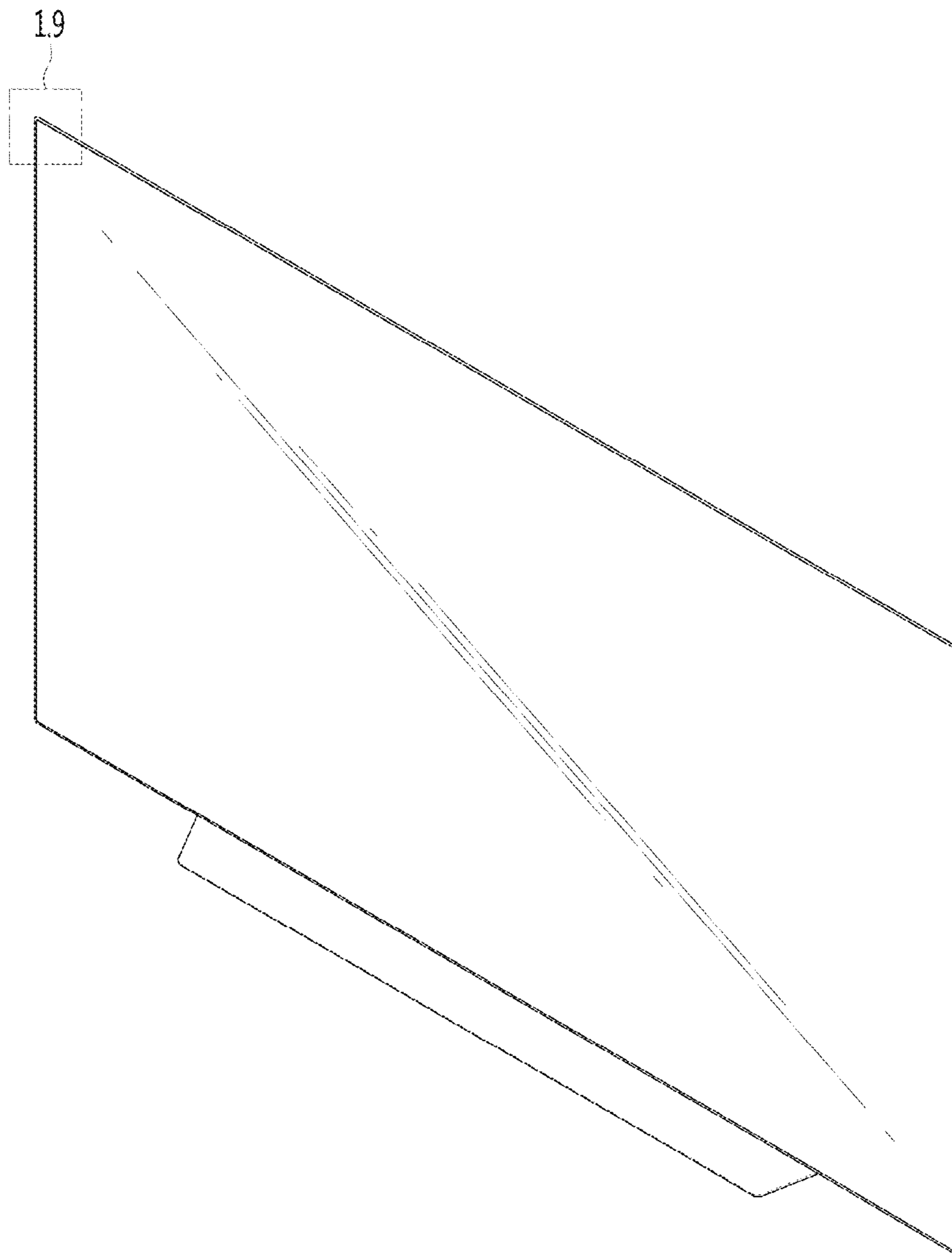
D818,976 S * 5/2018 Hotta D14/126
D819,588 S * 6/2018 Ryu D14/126
D826,201 S * 8/2018 Won D14/126
D826,886 S * 8/2018 Cha D14/126
D836,583 S * 12/2018 Cha D14/126
D836,586 S * 12/2018 Cha D14/126
D836,588 S * 12/2018 Cha D14/126
D845,259 S * 4/2019 Won D14/126
D845,260 S * 4/2019 Won D14/126
D847,111 S * 4/2019 Won D14/126
D852,154 S * 6/2019 Won D14/126
D852,156 S * 6/2019 Jeon D14/126

OTHER PUBLICATIONS

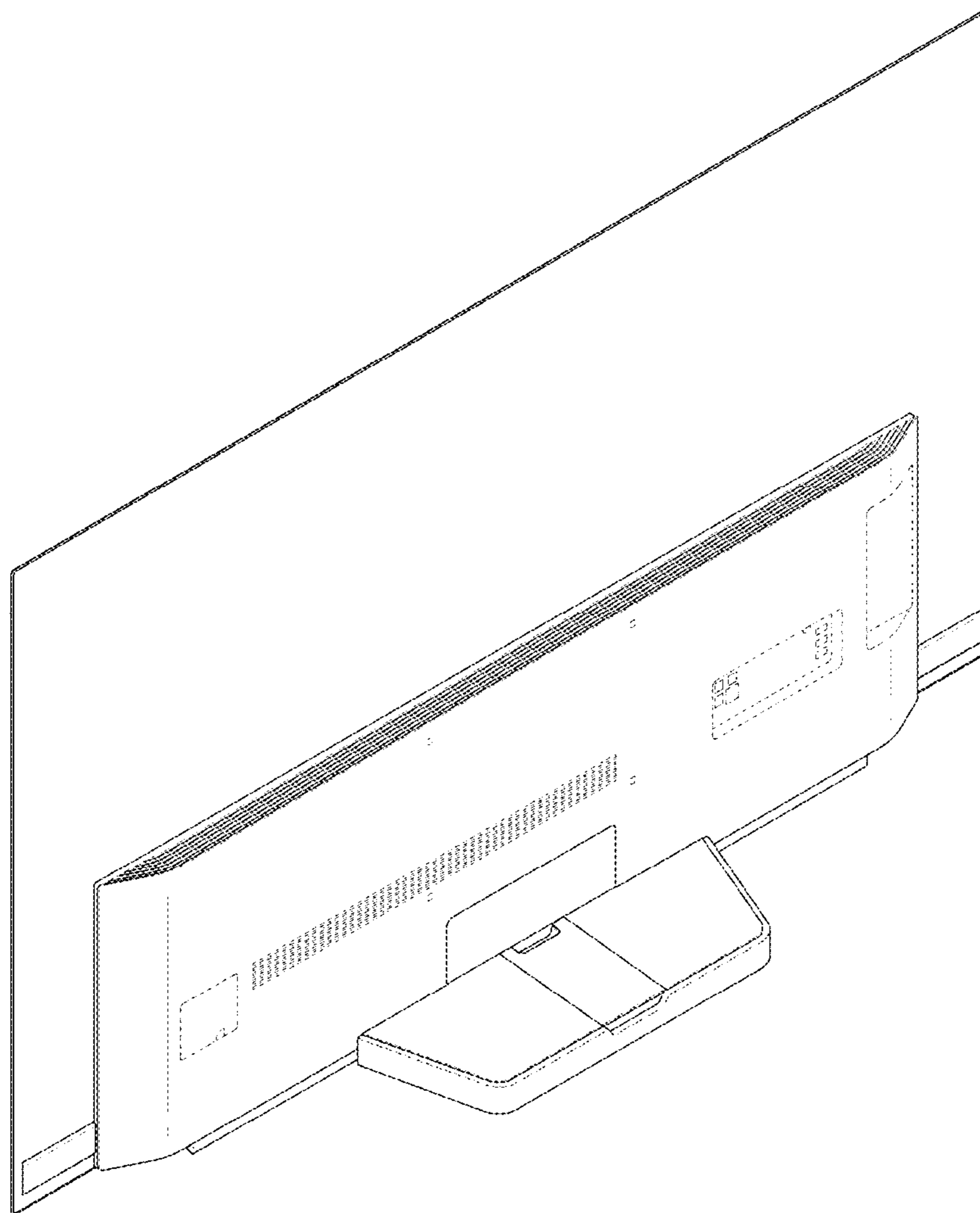
LG OLED65C9PUA, first public review available Sep. 8, 2019 [online], [retrieved Mar. 15, 2020]. Available from Internet, URL: <https://www.amazon.com/LG-OLED65C9PUA-Soundbar-Subwoofer-Wireless/dp/B07WFJ4PLH/ref=cm_cr_arp_d_product_top?ie=UTF8> (Year: 2019).*

* cited by examiner

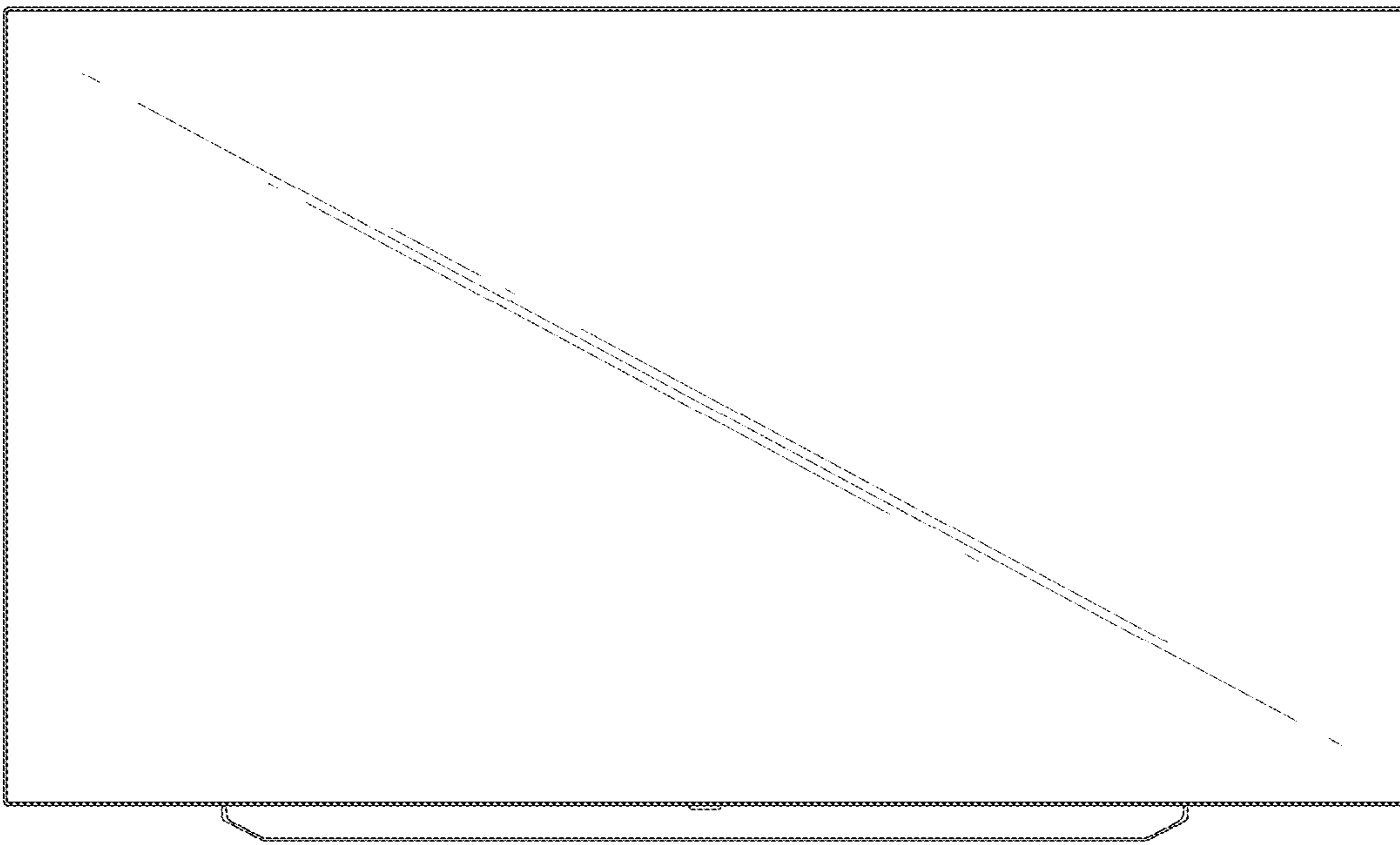
1.1



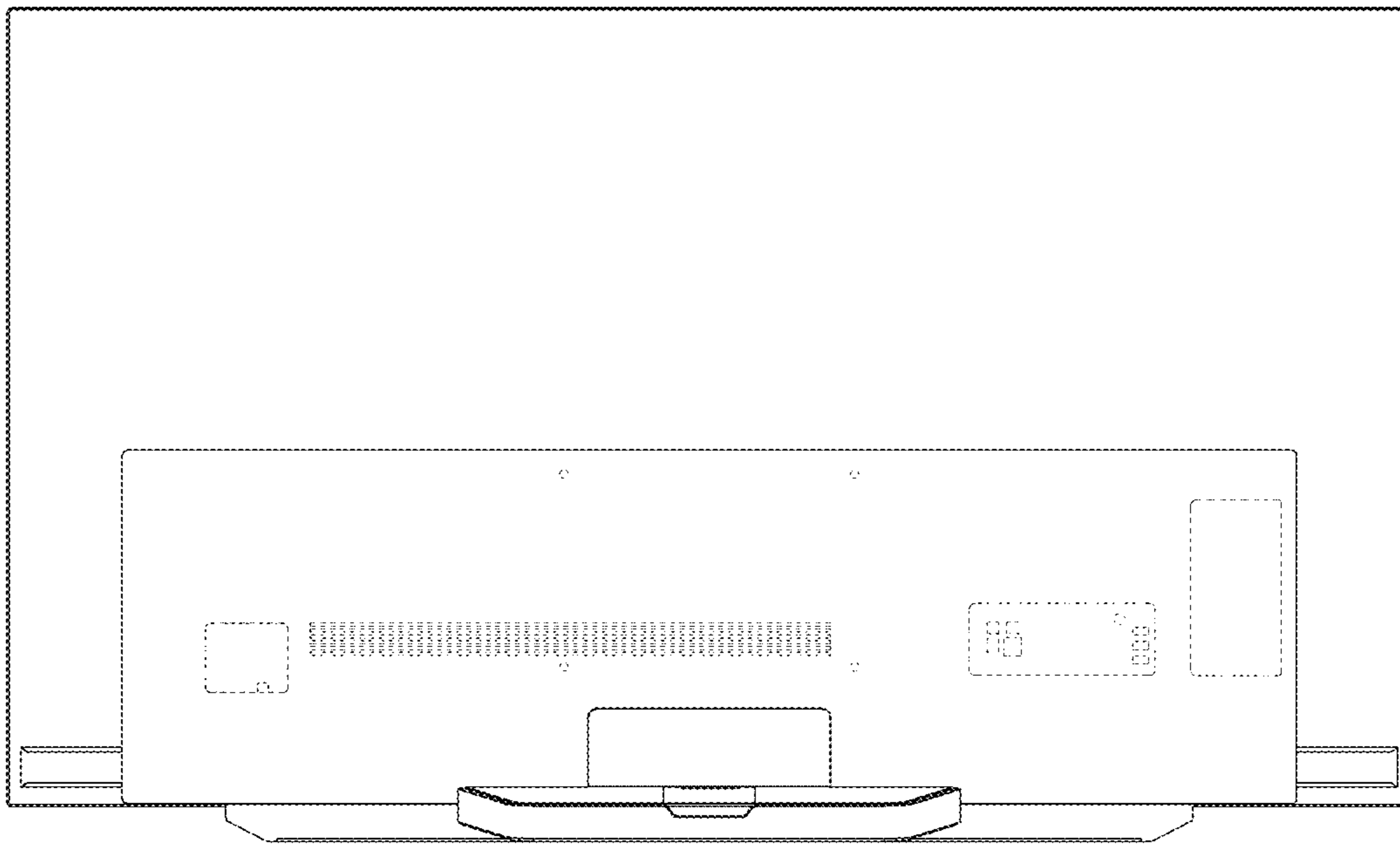
1.2



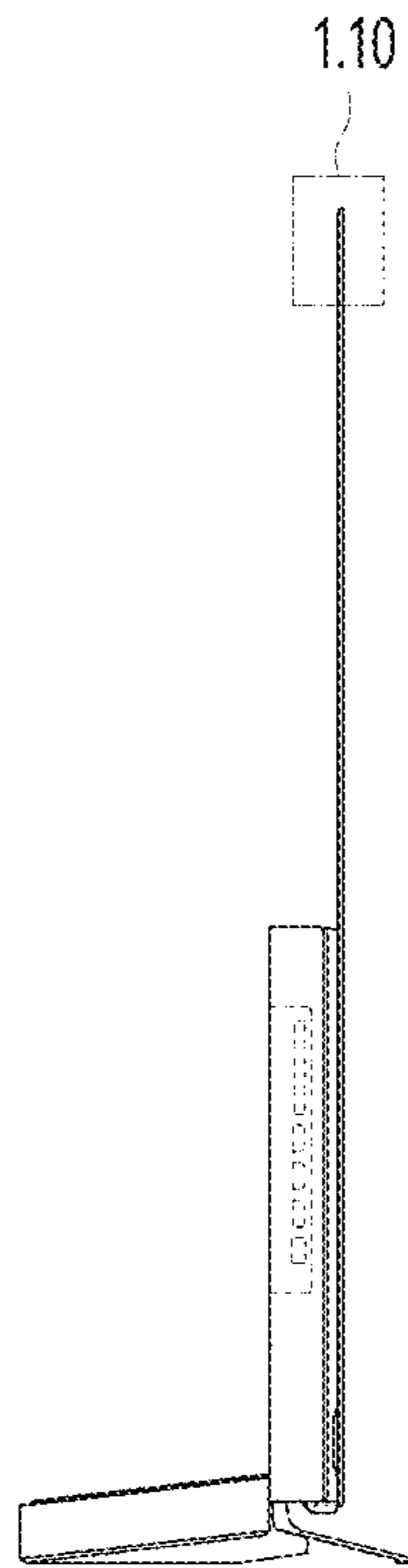
1.3



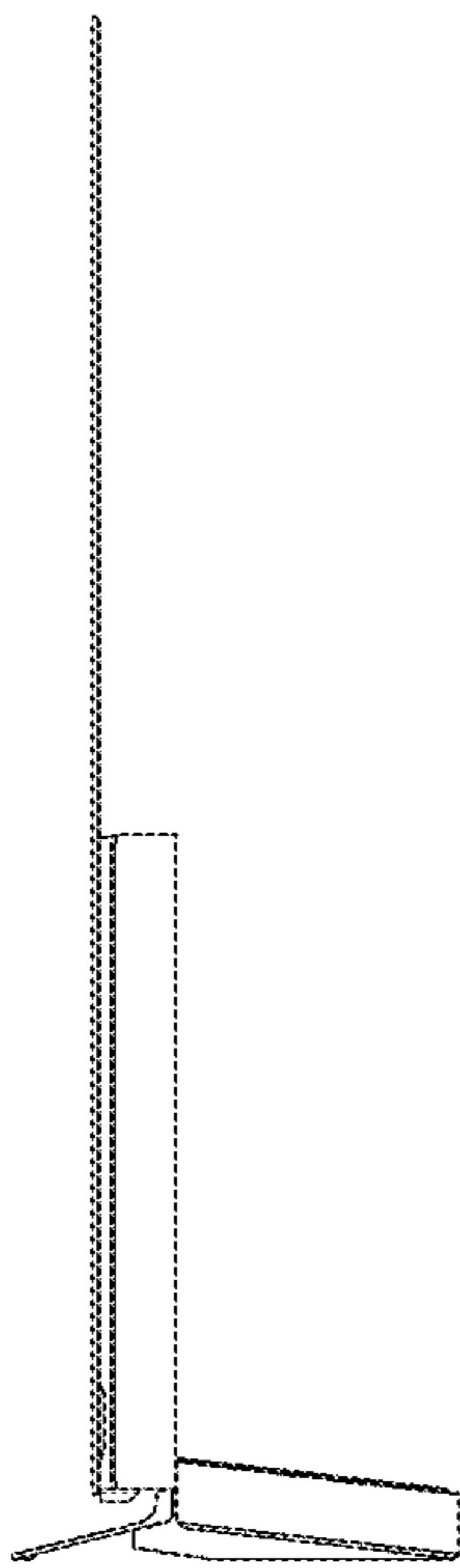
1.4



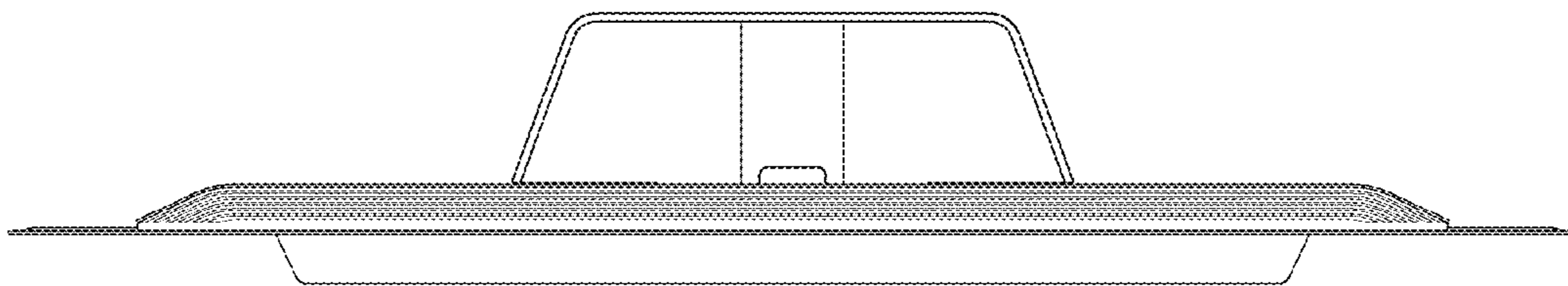
1.5



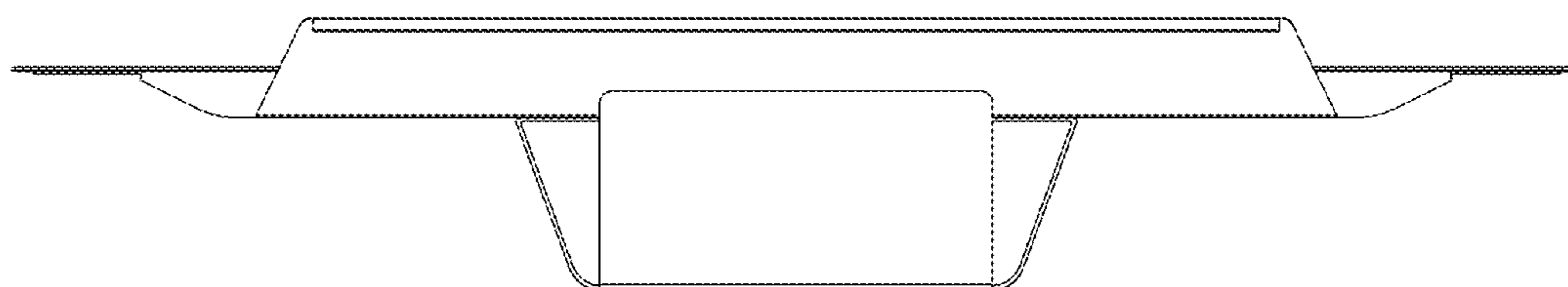
1.6



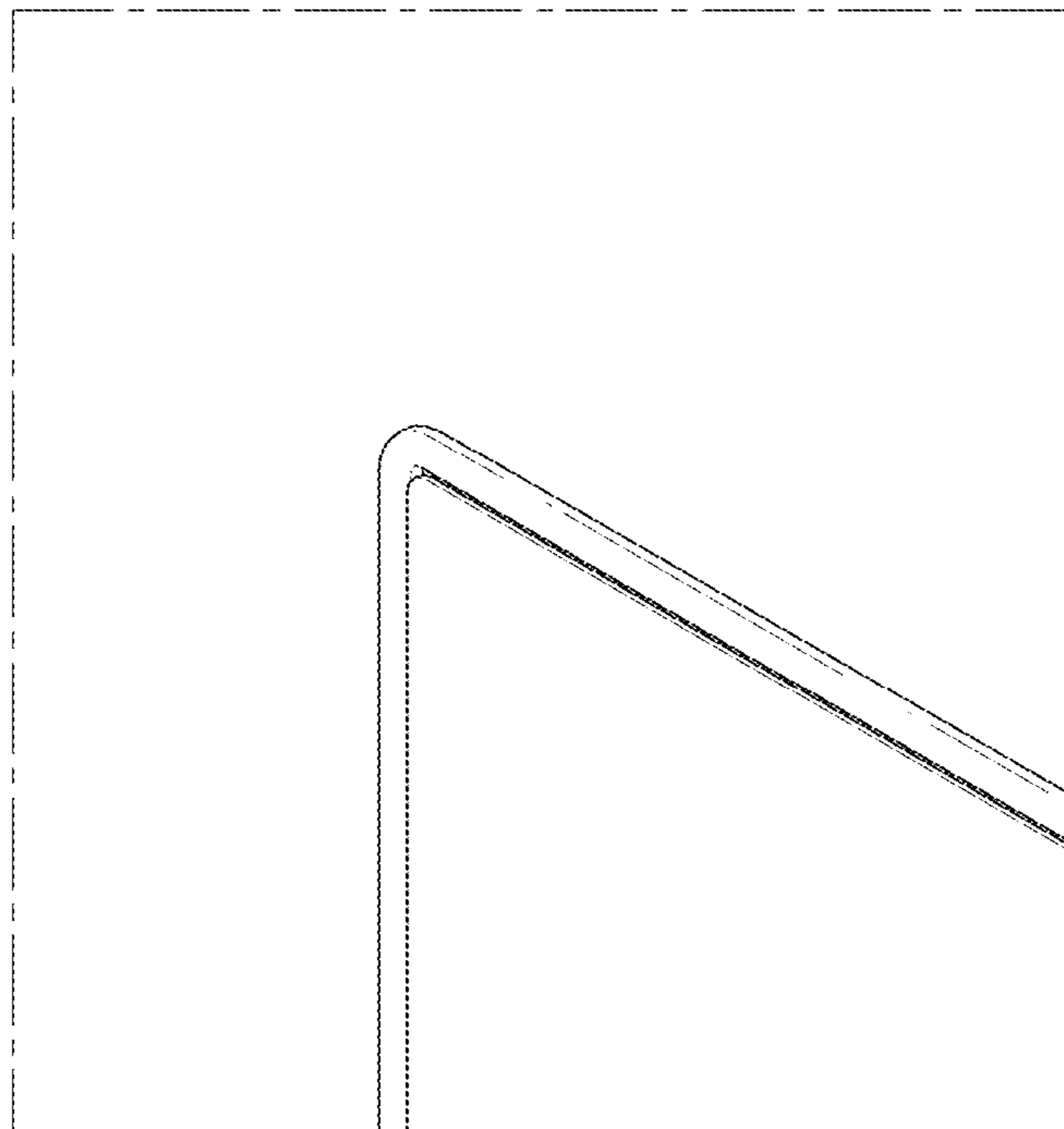
1.7



1.8



1.9



1.10

