



US00D900044S

(12) **United States Design Patent** (10) **Patent No.:** **US D900,044 S**  
**Kang et al.** (45) **Date of Patent:** **\*\* Oct. 27, 2020**

(54) **CIRCUIT BOARD**  
(71) Applicant: **SiFive, Inc.**, San Mateo, CA (US)  
(72) Inventors: **Jack Kang**, San Mateo, CA (US);  
**David Lee**, San Jose, CA (US); **Jeffrey Mulhausen**, McLean, VA (US)  
(73) Assignee: **SiFive, Inc.**, San Mateo, CA (US)  
(\*\*) Term: **15 Years**  
(21) Appl. No.: **29/729,725**  
(22) Filed: **Mar. 30, 2020**

3,072,734 A \* 1/1963 Fox ..... H05K 3/202  
174/254  
D292,698 S \* 11/1987 DeVita ..... D13/182  
5,885,148 A \* 3/1999 Vargas ..... B24D 15/045  
451/523  
D422,758 S \* 4/2000 Roche ..... D2/622  
D424,278 S \* 5/2000 Douglas ..... D2/617  
D430,856 S \* 9/2000 Wilkerson ..... D13/182  
D466,094 S \* 11/2002 Marcotte ..... D13/182  
D508,681 S \* 8/2005 Enderlein ..... D13/182  
D525,213 S \* 7/2006 Enderlein ..... D13/182  
D620,680 S \* 8/2010 Thompson ..... D2/617  
D647,072 S \* 10/2011 Bentley ..... D13/182  
D655,890 S \* 3/2012 Thompson ..... D2/617  
8,239,969 B2 \* 8/2012 Fisher ..... A41D 19/01558  
2/161.1  
D764,718 S \* 8/2016 Sibblies ..... D2/617  
D774,478 S \* 12/2016 Li ..... D13/182  
D775,779 S \* 1/2017 Luque ..... D2/617  
D794,586 S \* 8/2017 Takahashi ..... D13/182

**Related U.S. Application Data**

(63) Continuation of application No. 29/673,813, filed on Dec. 18, 2018, now Pat. No. Des. 879,730.  
(51) **LOC (12) Cl.** ..... **13-03**  
(52) **U.S. Cl.**  
USPC ..... **D13/182**  
(58) **Field of Classification Search**  
USPC ..... D13/182; 361/748, 752, 760, 761, 807,  
361/808, 809; 174/250, 253, 255;  
363/144, 147; D2/610, 614-623;  
D29/113, 117.1, 118  
CPC ..... H05K 3/30; H05K 3/301; H05K 3/284;  
H05K 1/18; H05K 1/181; H05K 1/182;  
H05K 1/183; H05K 1/185; H05K 1/00;  
H05K 7/1417; H05K 7/02; H05K 7/12;  
H05K 7/06; H01L 2924/14  
See application file for complete search history.

(Continued)

*Primary Examiner* — Elizabeth J Oswecki  
(74) *Attorney, Agent, or Firm* — Young Basile Hanlon & MacFarlane, P.C.

(57) **CLAIM**

The ornamental design for a circuit board, as shown and described.

**DESCRIPTION**

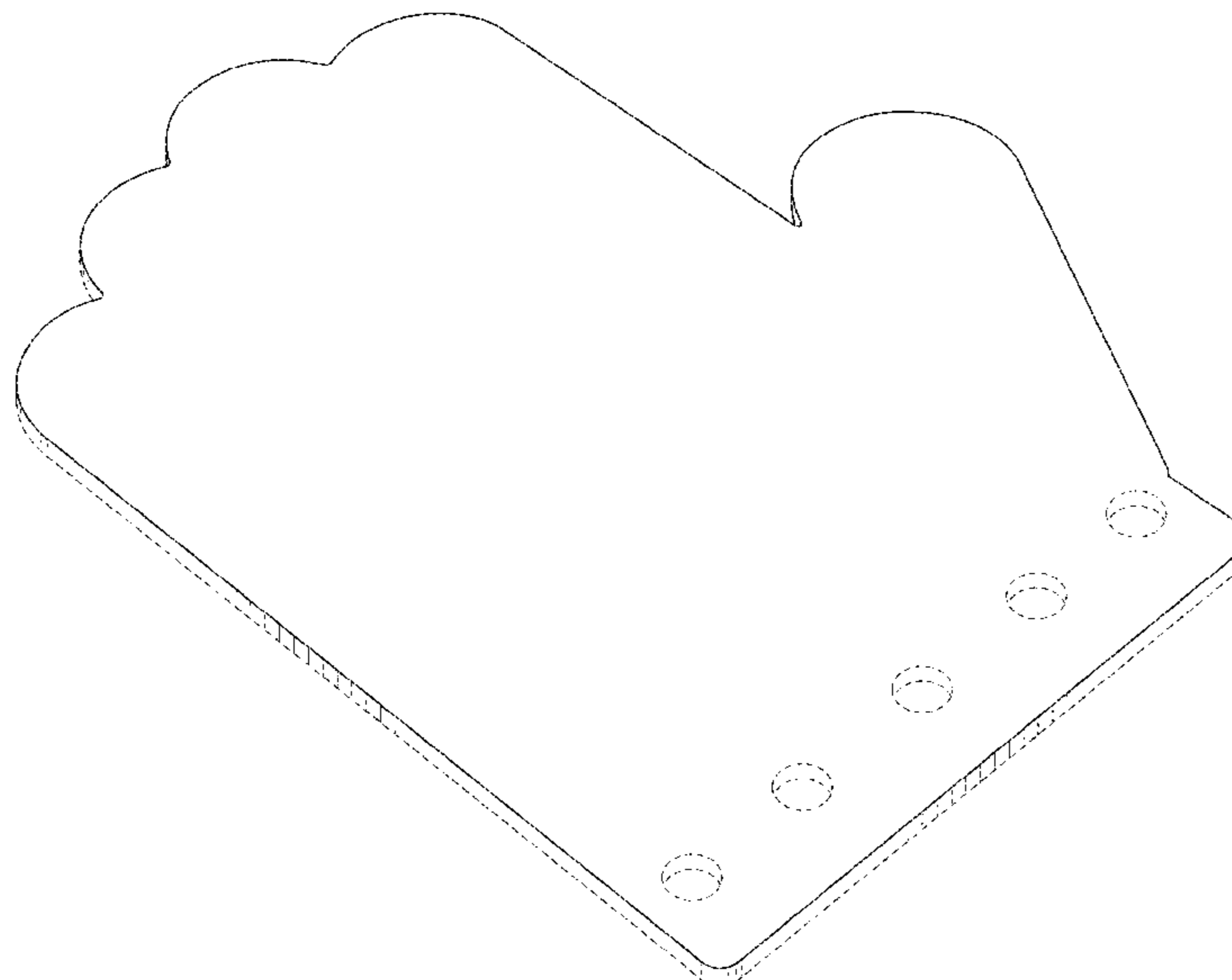
FIG. 1 is a front, lower, left perspective view of a circuit board showing our new design;  
FIG. 2 is a front view thereof;  
FIG. 3 is a rear view thereof;  
FIG. 4 is a right view thereof;  
FIG. 5 is a left view thereof;  
FIG. 6 is a top view thereof; and,  
FIG. 7 is a bottom view thereof.  
The broken lines in the drawings illustrate unclaimed features of the circuit board and form no part of the claimed design.

(56) **References Cited**

**U.S. PATENT DOCUMENTS**

D133,882 S \* 9/1942 Matthews ..... D2/622  
2,435,890 A \* 2/1948 Lembeck ..... A41D 19/01  
2/158

**1 Claim, 5 Drawing Sheets**



(56)

**References Cited**

U.S. PATENT DOCUMENTS

D799,438 S \* 10/2017 Takahashi ..... D13/182  
D801,625 S \* 11/2017 Elliott ..... D2/617  
D804,437 S \* 12/2017 Kantor ..... D13/182  
D808,611 S \* 1/2018 Kindall ..... D2/617  
D825,887 S \* 8/2018 Blunt ..... D2/617  
D834,784 S \* 12/2018 Kang ..... D2/617  
D838,415 S \* 1/2019 Dupree ..... D29/117.1  
D852,763 S \* 7/2019 Kneip ..... D13/182  
D879,730 S \* 3/2020 Kang ..... D13/182  
2017/0354816 A1 \* 12/2017 Huelman ..... A61N 1/0484

\* cited by examiner

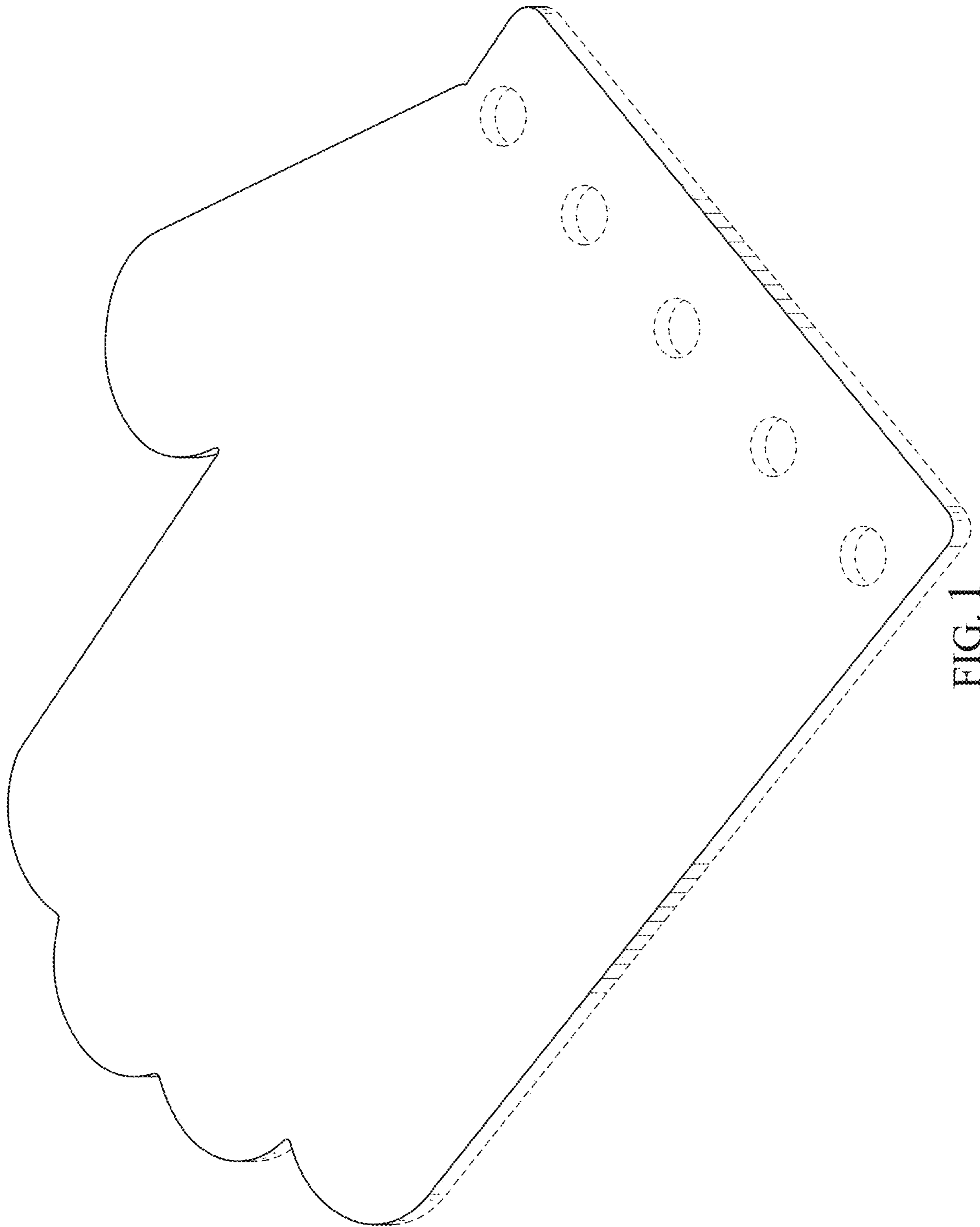


FIG. 1

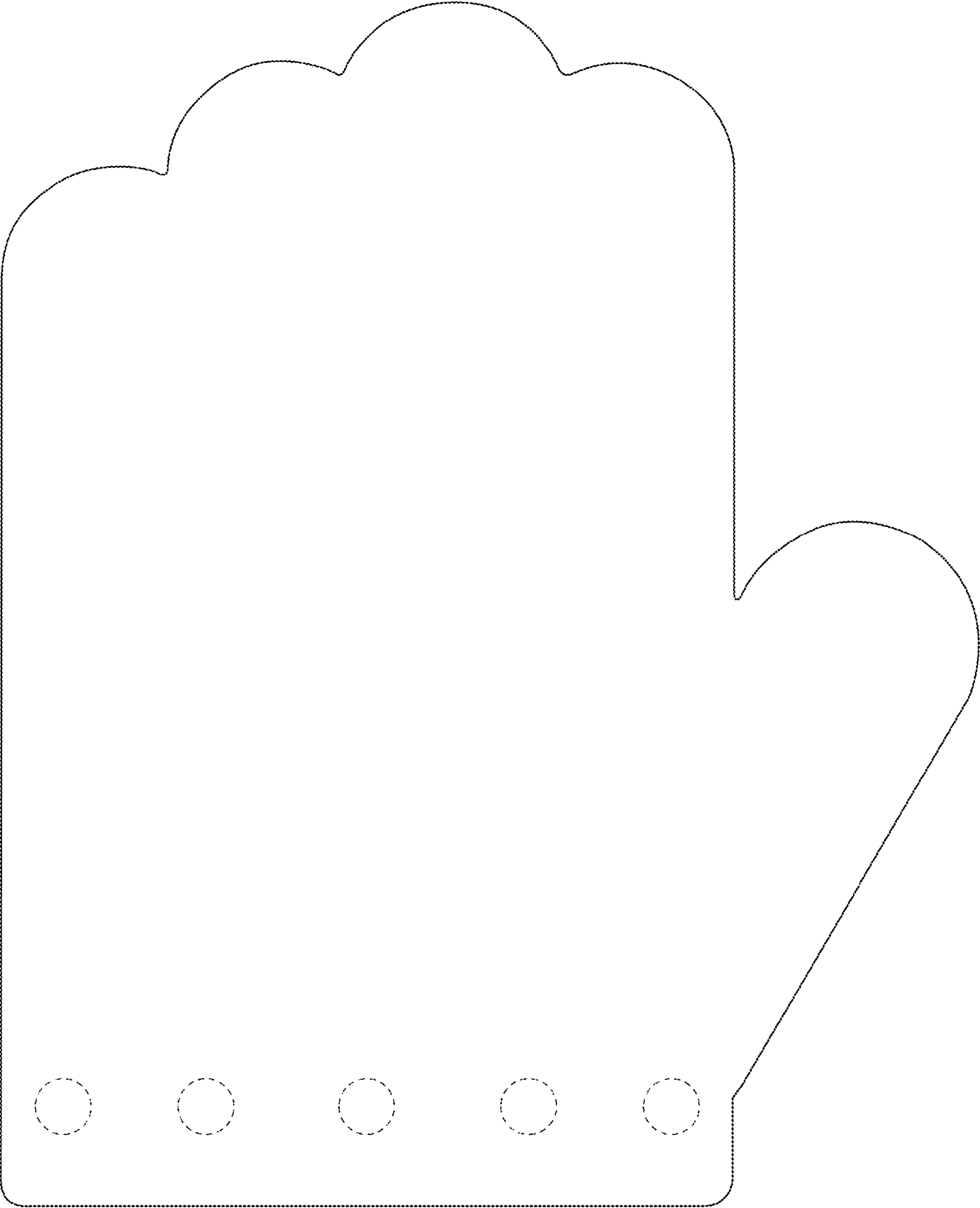


FIG. 2

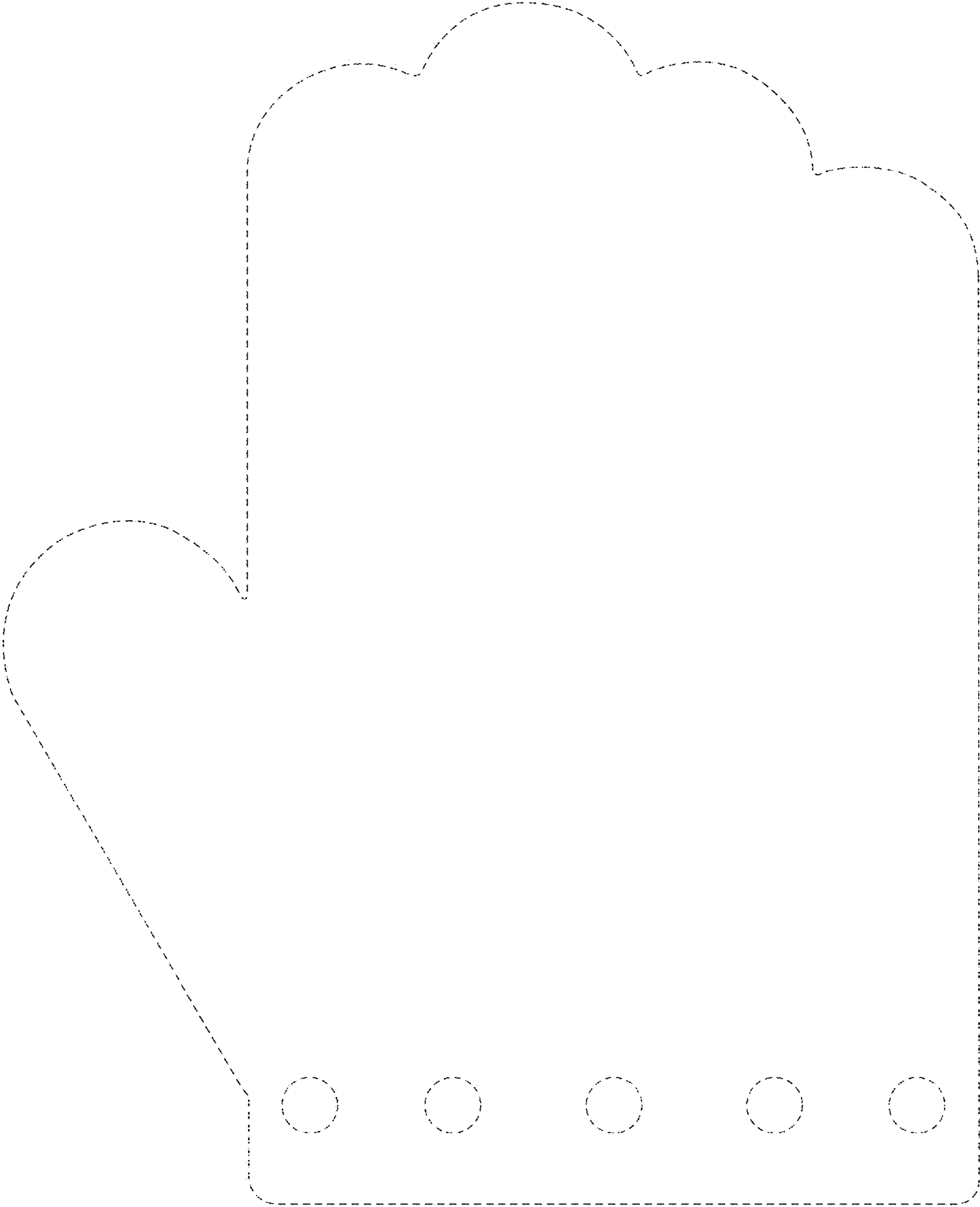


FIG. 3



FIG. 4

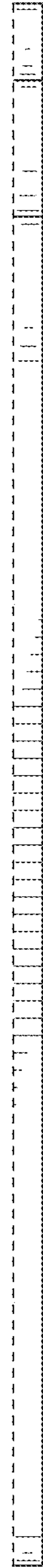


FIG. 5

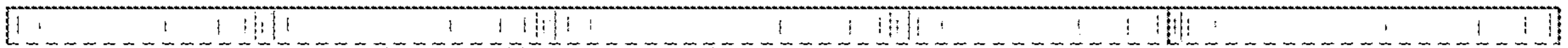


FIG. 6

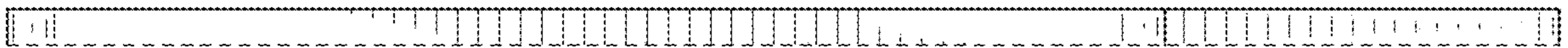


FIG. 7