



US00D900043S

(12) **United States Design Patent** (10) **Patent No.:** **US D900,043 S**
Oneufer et al. (45) **Date of Patent:** **** Oct. 27, 2020**

(54) **SWITCH HANDLE FOR CIRCUIT BREAKERS**

4,503,408 A 3/1985 Mrenna et al.
4,612,424 A 9/1986 Clark et al.
D297,726 S 9/1988 Araki
4,851,621 A 7/1989 Borchardt et al.
D349,101 S 7/1994 Schaeffer
5,493,083 A 2/1996 Olivier

(71) Applicant: **Eaton Intelligent Power Limited**,
Dublin (IE)

(Continued)

(72) Inventors: **Stephen William Oneufer**, Fayetteville,
NC (US); **Edgar Yee**, Chapel Hill, NC
(US); **Robert Allan Morris**,
Fayetteville, NC (US); **Daniel Boyd**
Kroushl, Clayton, NC (US)

FOREIGN PATENT DOCUMENTS

EP 2 393 092 A1 12/2011
WO WO 2011/012806 A1 2/2011

(73) Assignee: **Eaton Intelligent Power Limited**,
Dublin (IE)

OTHER PUBLICATIONS

(**) Term: **15 Years**

Trade Products Fortress Lock& Safe; before Oct. 16, 2013; 1 pg.;
https://www.google.com/search?q=lock+and+key+in+a+frame+fob+before%3A2013-10-16&tbm=isch&ved=2ahUKEwi2s4f1ma_oAhUFPd8KHYK3Cc4Q2-cCegQIABAA&oq=lock+and+key+in+a+frame+fob+before%3A2013-10-16&gs_l=img.12...1356016.1357125..1360595...0.0..0.63.116.2.*

(21) Appl. No.: **29/631,200**

(22) Filed: **Dec. 28, 2017**

(Continued)

Related U.S. Application Data

(60) Division of application No. 29/568,725, filed on Jun.
21, 2016, now Pat. No. Des. 809,468, which is a
division of application No. 29/506,538, filed on Oct.
16, 2014, now Pat. No. Des. 762,593, which is a
continuation-in-part of application No. 29/485,857,
filed on Mar. 24, 2014, now Pat. No. Des. 751,516.

Primary Examiner — Selina Sikder

(74) *Attorney, Agent, or Firm* — Myers Bigel, P.A.

(51) **LOC (12) Cl.** **13-03**

(52) **U.S. Cl.**
USPC **D13/174**

(58) **Field of Classification Search**
USPC D13/160, 174; D3/207, 208; D8/347
CPC .. G05G 1/04; G05G 1/08; H01H 3/08; H01H
9/02; H01H 9/182; H01H 9/22; H01H
9/282; H01H 71/04; H01H 71/46; H01H
71/56; H01H 71/501
See application file for complete search history.

(57) **CLAIM**

The ornamental design for a switch handle for circuit
breakers, as shown and described.

DESCRIPTION

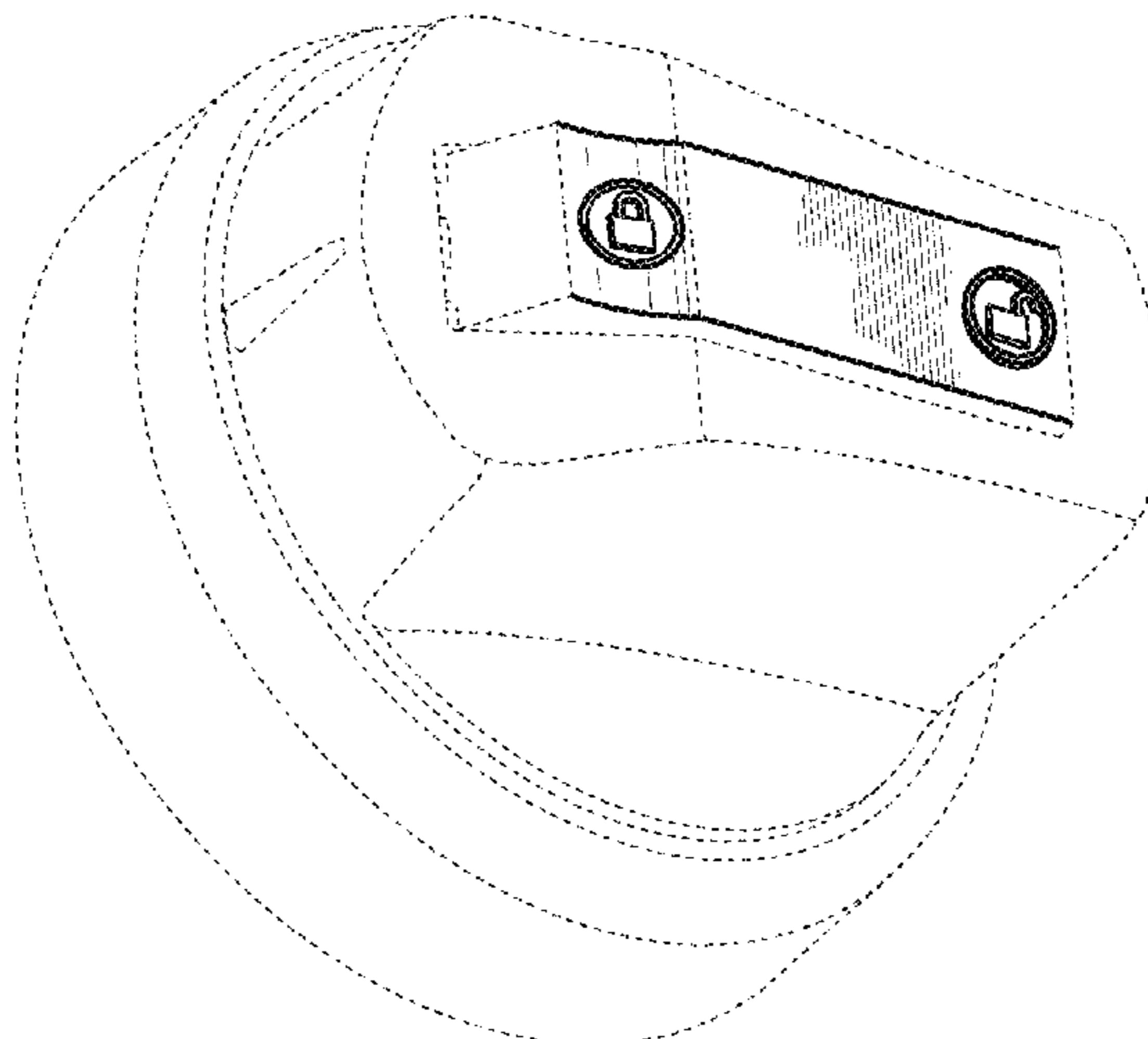
FIG. 1 is a front, side perspective view of a switch handle for
circuit breakers showing our design;
FIG. 2 is rear, side perspective view thereof;
FIG. 3 is a top view thereof (the bottom view is disclaimed);
FIG. 4 is a side view thereof;
FIG. 5 is a side view opposite that shown in FIG. 4;
FIG. 6 is a rear view taken at 90 degrees from the view
shown in FIG. 5; and,
FIG. 7 is a front view opposite that shown in FIG. 6.
The broken lines shown herein are for illustrative purposes
only and form no part of the claimed design.

(56) **References Cited**

U.S. PATENT DOCUMENTS

3,155,786 A 11/1964 Stegmaier
4,024,441 A 5/1977 Coyle et al.

1 Claim, 3 Drawing Sheets



(56)

References Cited

U.S. PATENT DOCUMENTS

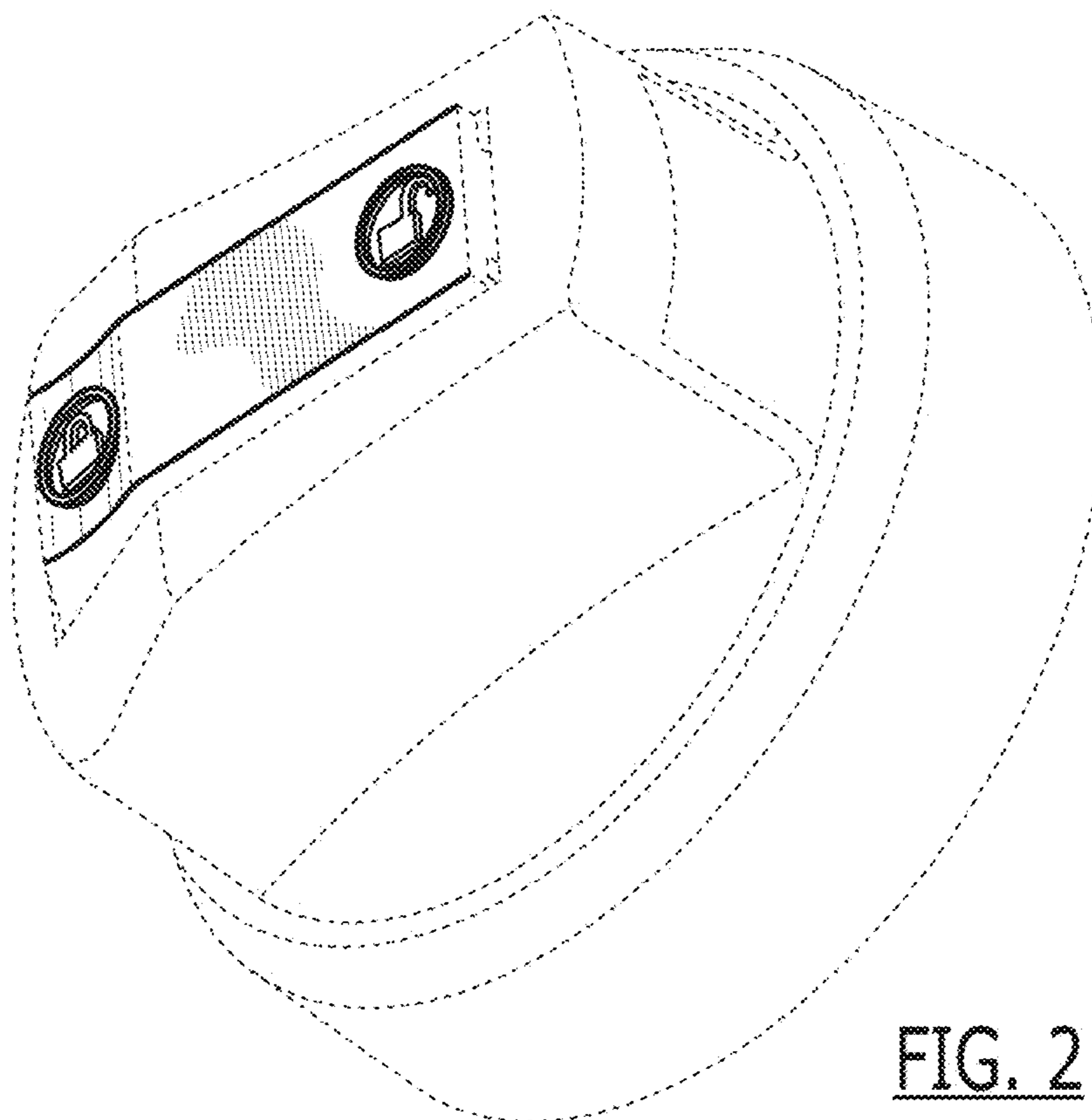
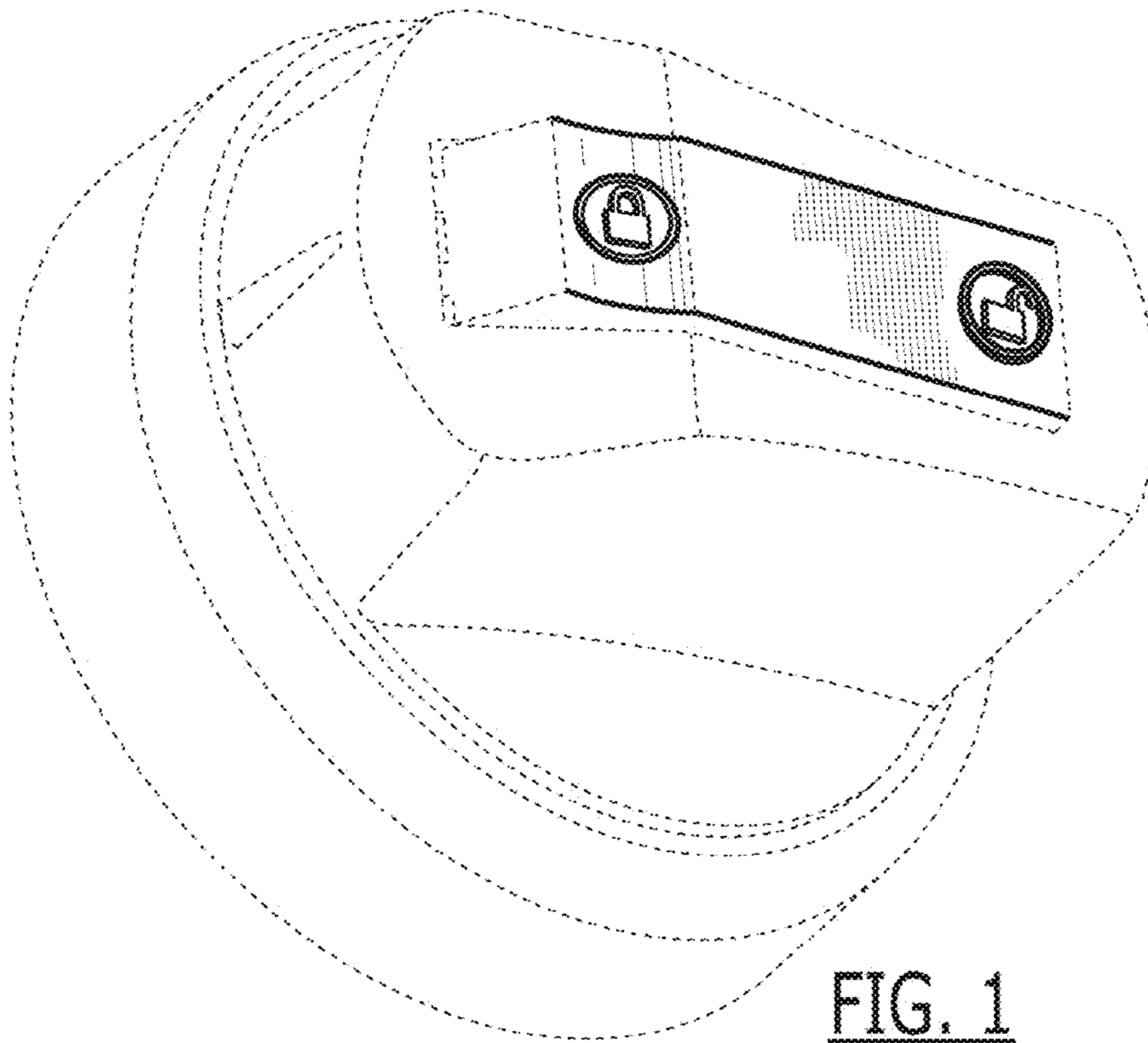
5,634,553 A 6/1997 Hopper et al.
 5,687,834 A 11/1997 Simon et al.
 D404,014 S 1/1999 Barnard et al.
 D404,284 S * 1/1999 Sacco D13/182
 D407,007 S * 3/1999 Sacco D13/182
 5,910,760 A 6/1999 Malingowski et al.
 6,159,034 A * 12/2000 Royer H01R 13/6397
 439/144
 6,194,983 B1 2/2001 Bogdon et al.
 D438,846 S 3/2001 Bonn
 D442,060 S * 5/2001 Neset D8/346
 6,423,912 B1 7/2002 Arenz et al.
 6,518,526 B2 2/2003 Hamada et al.
 6,596,952 B1 7/2003 Degrazia et al.
 6,767,104 B2 7/2004 Worrell
 D495,585 S * 9/2004 Osada D8/347
 6,797,903 B1 9/2004 Winslett et al.
 6,903,289 B2 6/2005 Tongo et al.
 6,969,813 B1 11/2005 Winslett et al.
 7,002,088 B2 2/2006 Shin
 7,186,933 B2 3/2007 Turner
 7,214,895 B2 5/2007 Houck, III et al.
 7,238,903 B2 7/2007 Fischer
 D559,206 S 1/2008 Neveu
 7,399,934 B2 7/2008 Emura et al.
 7,420,133 B2 9/2008 Farrow et al.
 D580,880 S 11/2008 Lifran
 D590,780 S 4/2009 Deboer et al.
 D604,039 S * 11/2009 Fleming D3/207
 D604,041 S * 11/2009 Fleming D3/207
 D605,140 S 12/2009 Buron
 D606,026 S 12/2009 Azzola et al.
 D635,104 S 3/2011 Louise et al.
 D635,352 S * 4/2011 Himley D3/208
 D641,711 S 7/2011 Azzola et al.
 D668,663 S 10/2012 Hazan et al.
 8,505,348 B2 * 8/2013 Colasse A62B 3/005
 206/234
 8,642,903 B2 2/2014 Sadowski et al.
 D750,577 S 3/2016 Oneufer et al.
 D751,516 S 3/2016 Oneufer et al.
 9,284,755 B2 * 3/2016 Rowe E05B 81/72
 9,337,629 B2 5/2016 Oneufer et al.
 9,347,244 B2 * 5/2016 Lu E05B 19/00
 D762,593 S 8/2016 Oneufer et al.
 D765,045 S 8/2016 Oneufer et al.
 9,451,718 B2 9/2016 Oneufer et al.
 9,484,163 B2 11/2016 Oneufer et al.
 9,595,408 B2 3/2017 Fischer et al.

D791,088 S 7/2017 Oneufer et al.
 D809,468 S * 2/2018 Oneufer D13/174
 2005/0144993 A1 7/2005 Antonucci et al.
 2007/0272526 A1 11/2007 Ishido et al.
 2008/0215841 A1 9/2008 Bolotin et al.
 2009/0167468 A1 7/2009 Dauer et al.
 2009/0173112 A1 7/2009 Tropp
 2010/0032278 A1 2/2010 Lin
 2010/0294632 A1 11/2010 Reddering et al.
 2013/0056340 A1 3/2013 Serpinet et al.
 2013/0077210 A1 3/2013 Morris
 2013/0167601 A1 * 7/2013 Colasse A62B 3/005
 70/395
 2014/0238829 A1 8/2014 Takatsu et al.
 2014/0329585 A1 11/2014 Santini et al.
 2015/0008108 A1 1/2015 Wu et al.
 2015/0053537 A1 2/2015 Manahan
 2015/0053705 A1 2/2015 Wilson et al.
 2015/0103472 A1 4/2015 Oneufer et al.
 2015/0221459 A1 8/2015 Oneufer et al.
 2016/0052475 A1 2/2016 Foster
 2016/0278229 A1 * 9/2016 Saito H01H 9/0235

OTHER PUBLICATIONS

Chilean Office Action for related Chilean Application No. 2014-002395 (6 pages) (dated Aug. 31, 2015).
 Chilean Office Action for related Chilean Application No. 2014-002396 (6 pages) (dated Aug. 31, 2015).
 Chilean Office Action for related Chilean Application No. 2014-003378 (6 pages) (dated Oct. 22, 2015).
 Chilean Office Action for related Chilean Application No. 2014-003379 (6 pages) (dated Oct. 22, 2015).
 OHIM, Design Certificate of Registration, Registration No. 001420525-0001 (9 pages) (Registered Sep. 10, 2014).
 OHIM, Design Certificate of Registration, Registration No. 001420525-0002 (9 pages) (Registered Sep. 10, 2014).
 OHIM, Design Certificate of Registration, Registration No. 001420525-0003 (9 pages) (Registered Sep. 10, 2014).
 OHIM, Design Certificate of Registration, Registration no. 001420525-0004, Registered Sep. 10, 2014, 9 pages.
 OHIM, Design Certificate of Registration, Registration No. 001420525-0005 (9 pages) (Registered Sep. 10, 2014).
 OHIM, Design Certificate of Registration, Registration No. 001420525-0006 (9 pages) (Registered Sep. 10, 2014).
 Product Brochure, Rotary handles, Molded-case circuit breakers, Eaton (2 pages) (Jun. 2013).

* cited by examiner



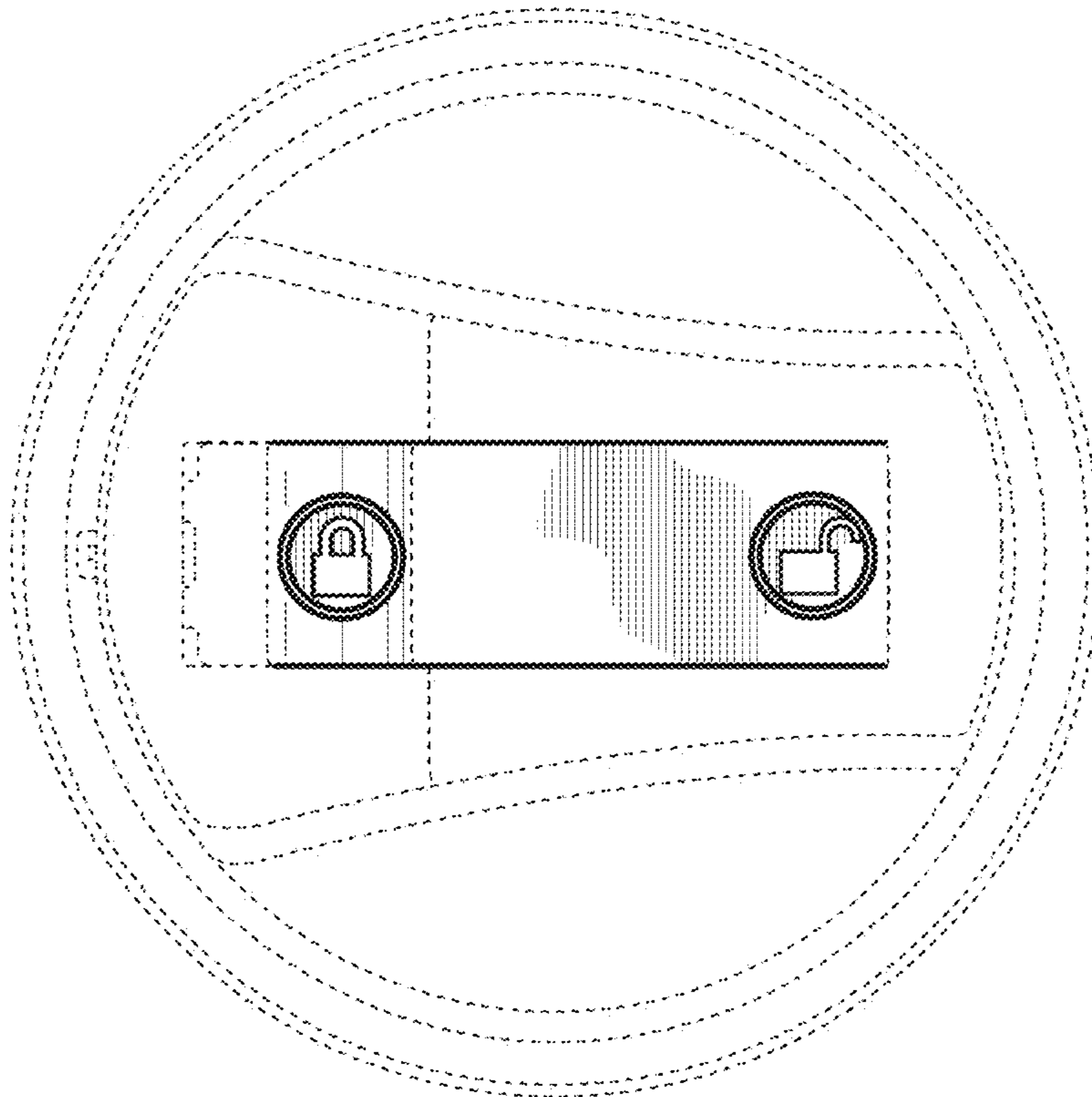


FIG. 3

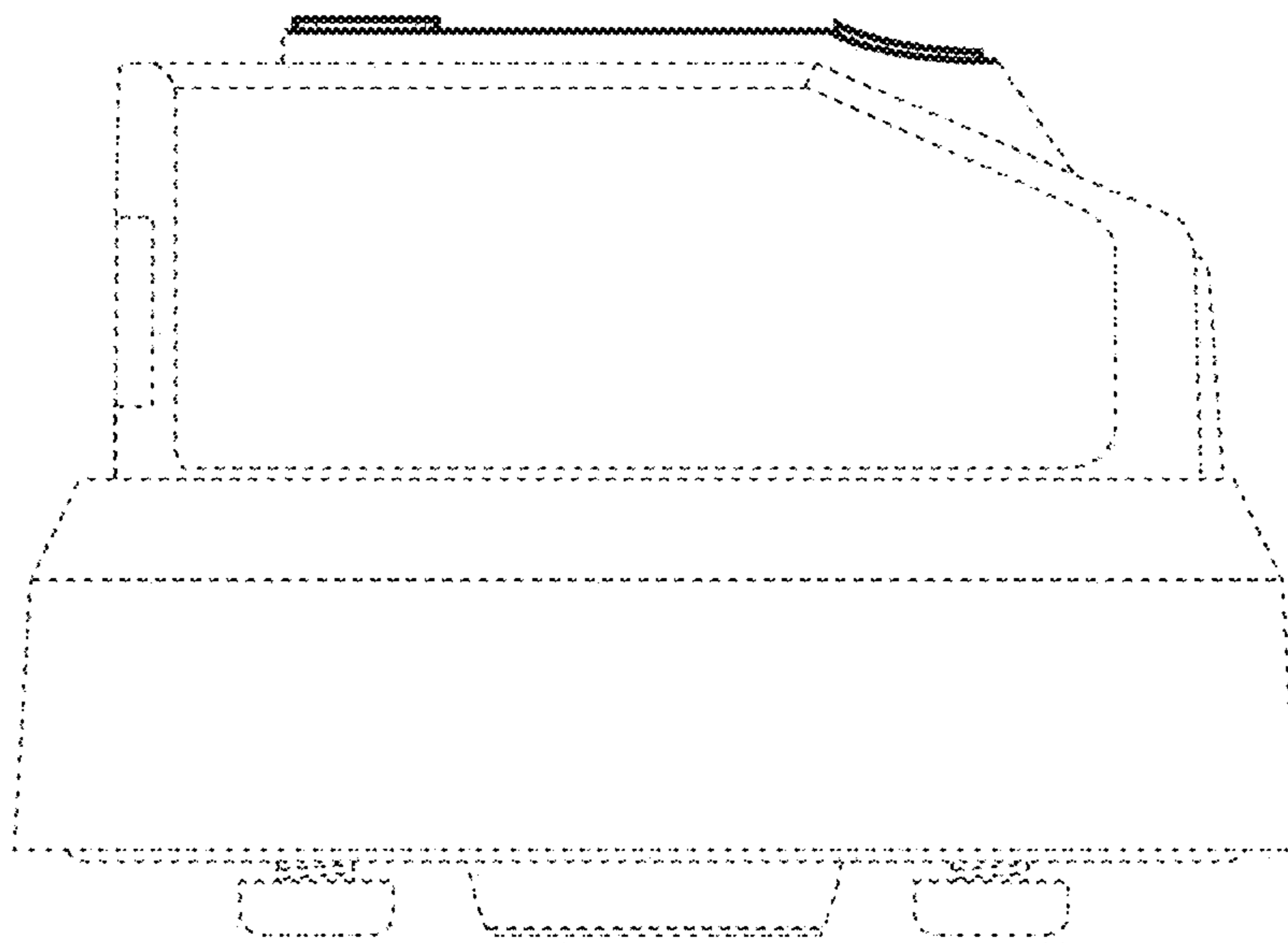


FIG. 4

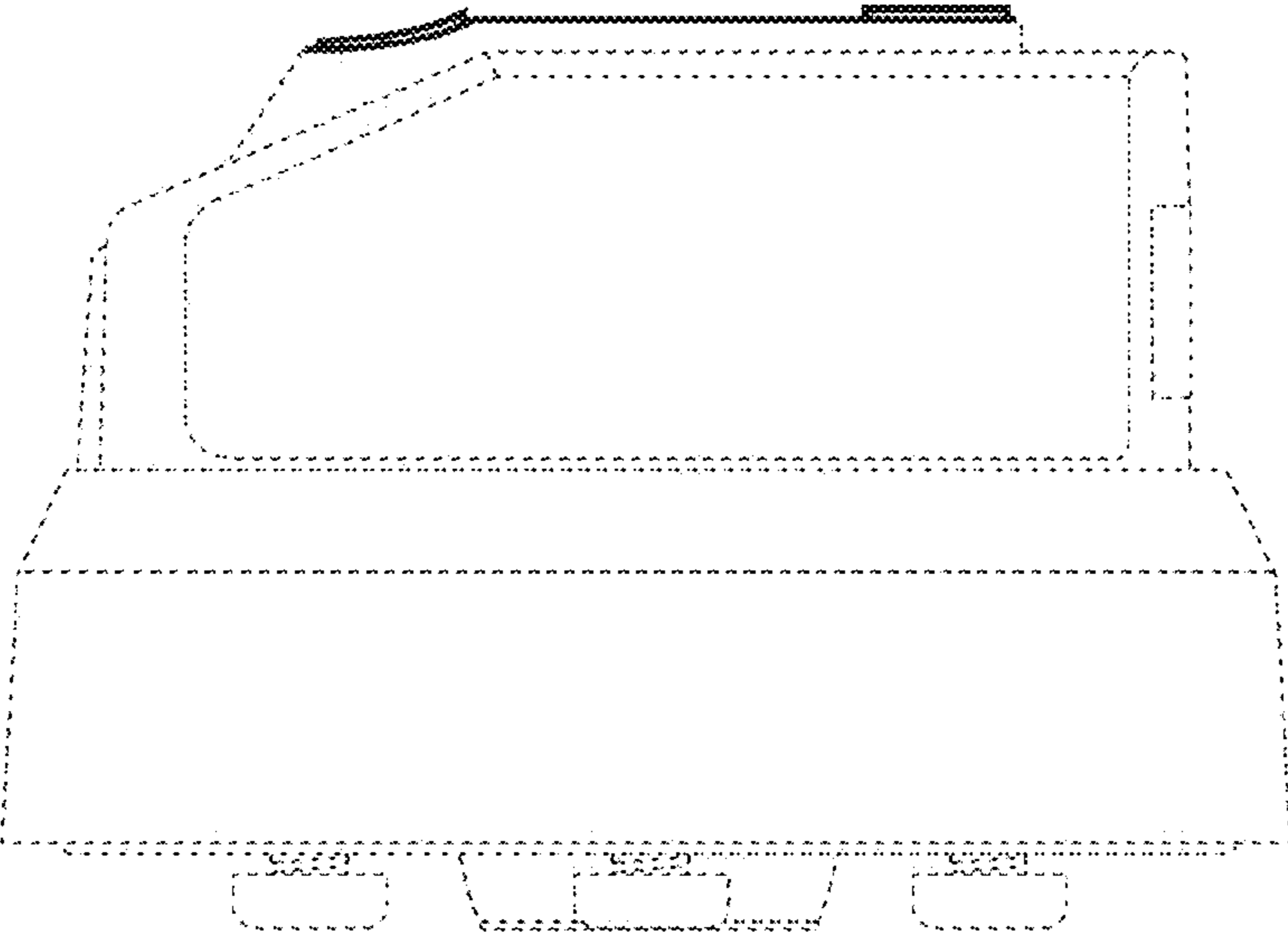


FIG. 5

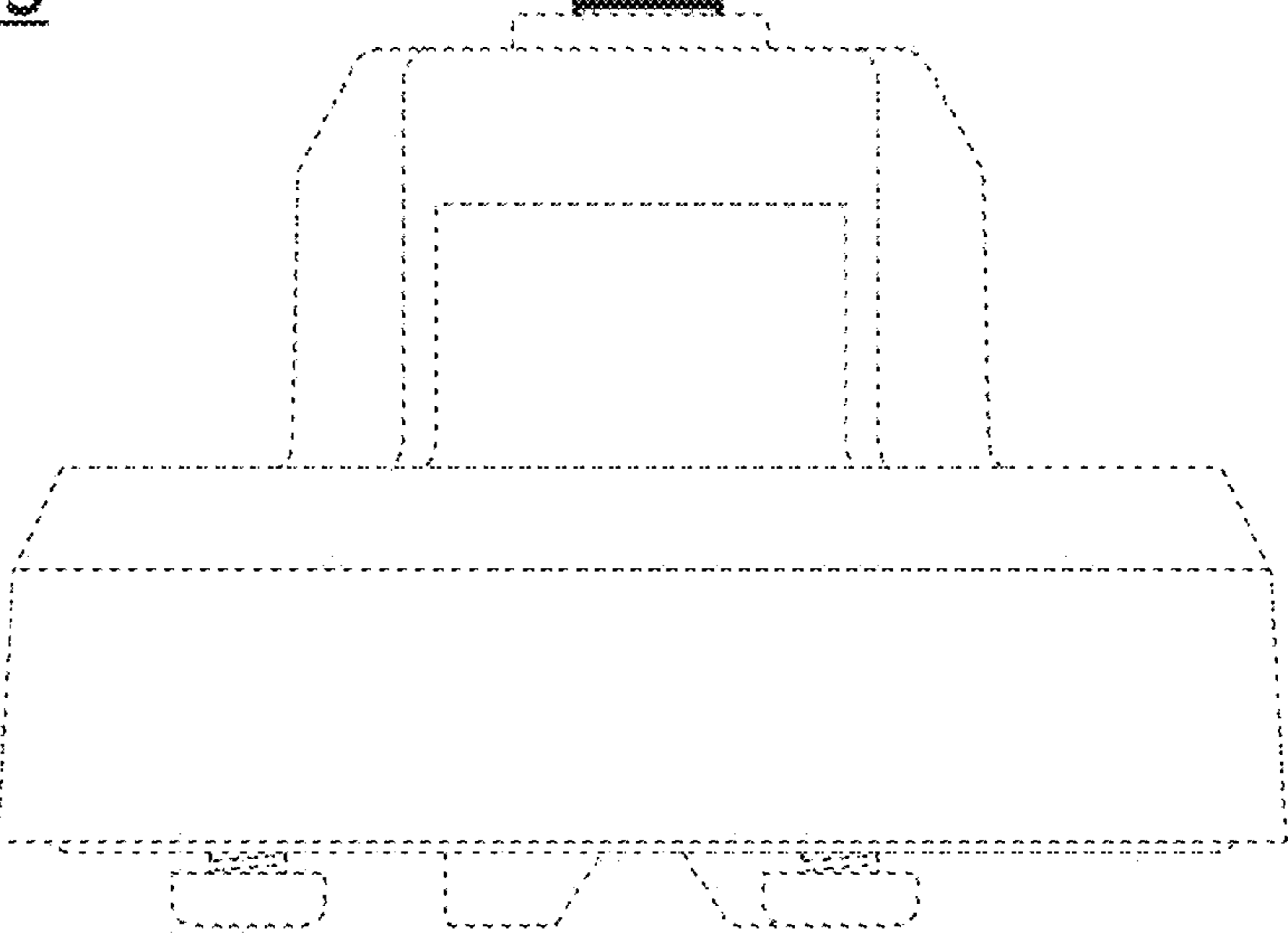


FIG. 6

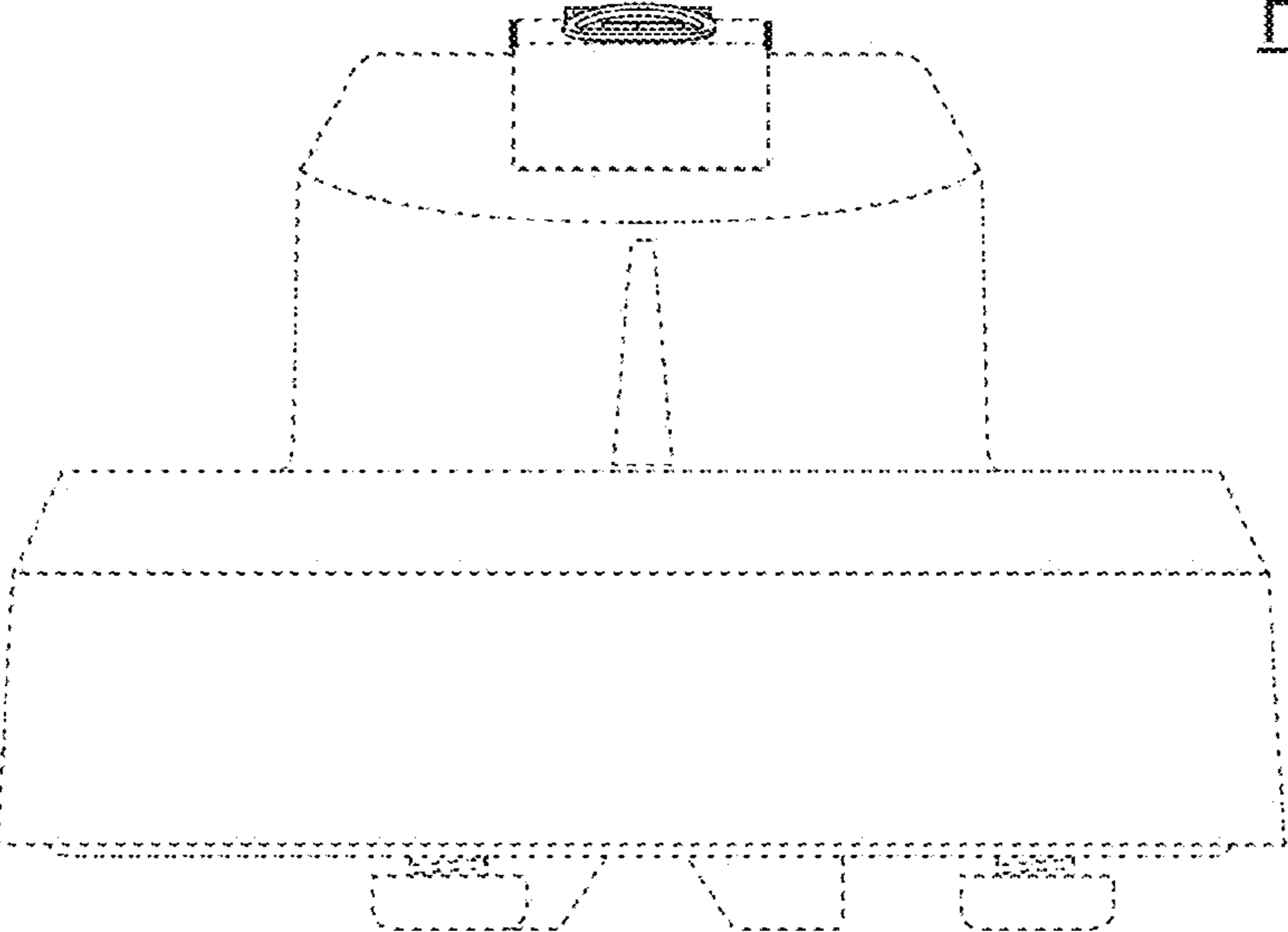


FIG. 7