



US00D900040S

(12) **United States Design Patent**  
**Pakimo et al.**

(10) **Patent No.:** **US D900,040 S**

(45) **Date of Patent:** **\*\* Oct. 27, 2020**

(54) **MODULE FOR FIELD TERMINATION ASSEMBLY**

(71) Applicant: **Honeywell International Inc.**, Morris Plains, NJ (US)

(72) Inventors: **Dawa Pakimo**, Bangalore (IN); **Dinesh Kumar KN**, Bangalore (IN); **Chandrashekar Thayumanavan**, Bangalore (IN); **Jaison Cherian**, Bangalore (IN); **Shripurnabodh Deshpande**, Bangalore (IN); **Karma Bhutia**, Bengaluru (IN); **Hemanth Vijaykumar**, Bangalore (IN); **Vishwanath Balakrishna**, Bengaluru (IN)

(73) Assignee: **Honeywell International Inc.**, Morris Plains, NJ (US)

(\*\*) Term: **15 Years**

(21) Appl. No.: **29/678,888**

(22) Filed: **Jan. 31, 2019**

(51) **LOC (12) Cl.** ..... **13-03**

(52) **U.S. Cl.**  
USPC ..... **D13/162.1**

(58) **Field of Classification Search**  
USPC ..... D13/123, 162, 162.1, 184; D14/439  
CPC ..... G05B 9/02; G05B 19/05; G05B 19/054;  
G05B 19/056; G06F 1/182; G06F 1/183;  
H05K 7/1462; H05K 7/1467; H05K  
7/1468; H05K 7/1474  
See application file for complete search history.

(56) **References Cited**

**U.S. PATENT DOCUMENTS**

D281,493 S \* 11/1985 Prager ..... D13/162.1  
5,253,140 A \* 10/1993 Inoue ..... H05K 7/1468  
16/429

6,425,770 B1 \* 7/2002 Lostoski ..... H01R 9/26  
361/759  
7,230,833 B1 \* 6/2007 Sickels ..... B60R 16/0239  
361/740  
D659,650 S \* 5/2012 Kang ..... D13/162  
(Continued)

**OTHER PUBLICATIONS**

GE Intelligent Platforms, "PAC8000 Modular I/O", General Electric Company, 2014, 66 pages (see esp. pp. 3 and 5-7).

(Continued)

*Primary Examiner* — Selina Sikder

(57) **CLAIM**

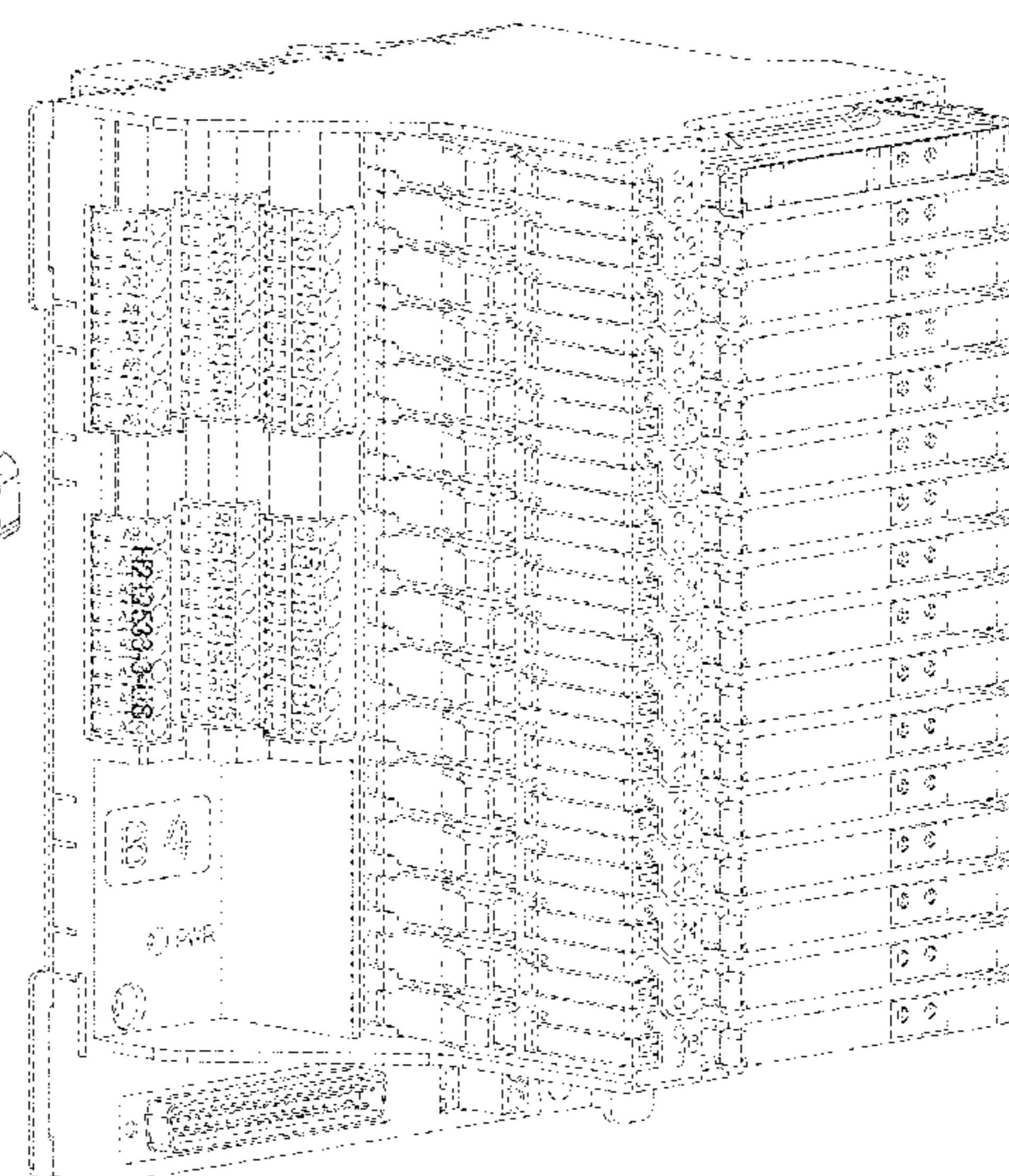
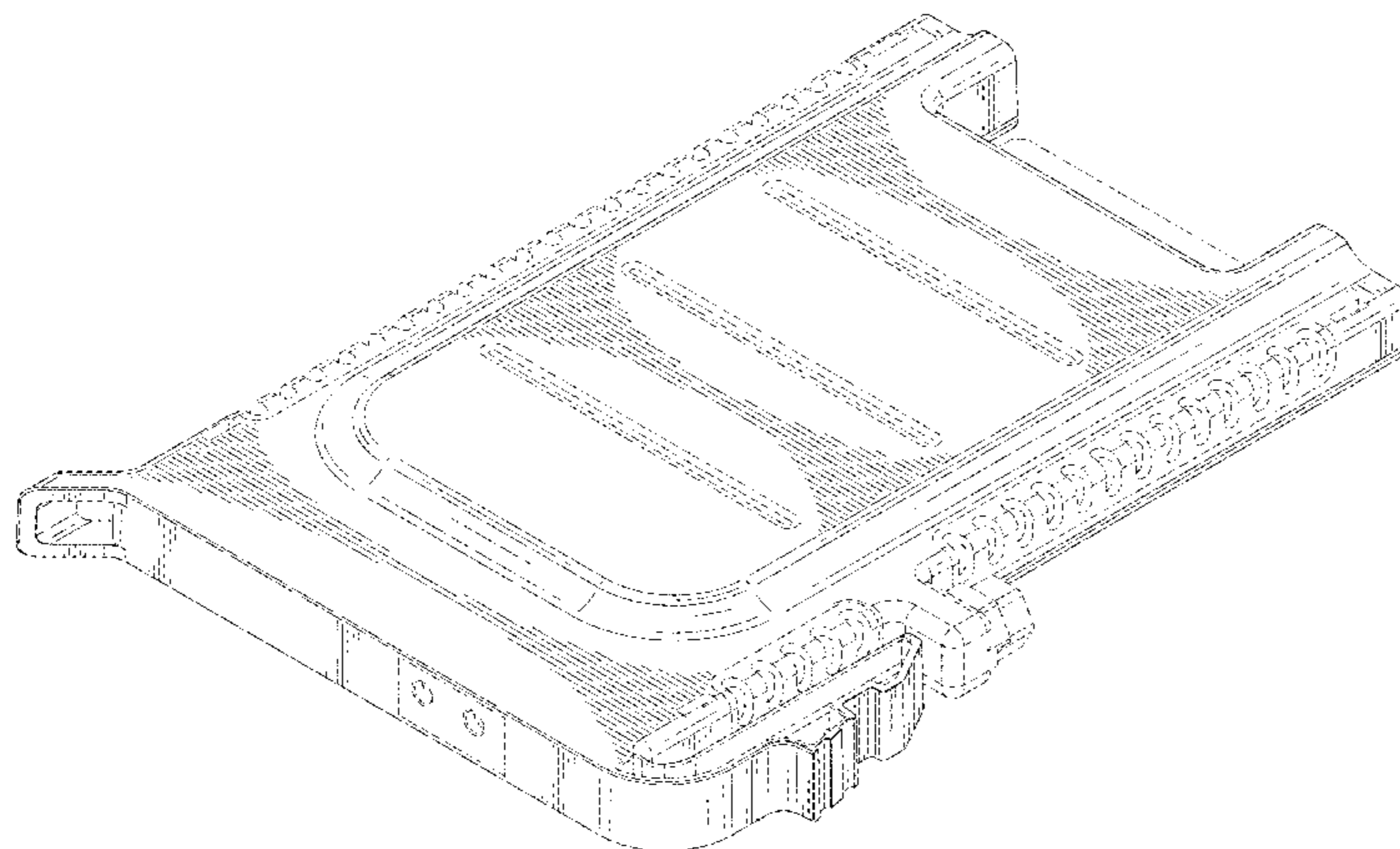
The ornamental design of a module for a field termination assembly, as shown and described.

**DESCRIPTION**

FIG. 1 is a front perspective view of a module for a field termination assembly;  
FIG. 2 is a rear perspective view of the module of FIG. 1;  
FIG. 3 is a front view of the module of FIG. 1;  
FIG. 4 is a left side view of the module of FIG. 1;  
FIG. 5 is a right side view of the module of FIG. 1;  
FIG. 6 is a rear view of the module of FIG. 1;  
FIG. 7 is a top view of the module of FIG. 1;  
FIG. 8 is a bottom view of the module of FIG. 1; and,  
FIG. 9 is a perspective view of a field termination assembly (such as one used for signal conditioning, energy limiting, galvanic isolation, protection, or a combination thereof) that includes the module of FIG. 1.

The broken lines in the drawings depict portions of module for field termination assembly that form no part the claimed design. The broken lines immediately adjacent to shaded surfaces form a boundary of the claim. The broken lines in FIG. 9 view depict environmental structure and form no part of the claimed design.

**1 Claim, 7 Drawing Sheets**



(56)

**References Cited**

U.S. PATENT DOCUMENTS

8,986,033	B2 *	3/2015	Berger	.....	H05K 7/1468 439/341
D748,096	S *	1/2016	Laessle	.....	D14/439
9,620,912	B2 *	4/2017	Wu	.....	H01R 12/721
9,979,106	B2 *	5/2018	Eriksson	.....	H05K 1/117
10,314,194	B1 *	6/2019	Chiang	.....	H05K 7/1475
10,365,696	B1 *	7/2019	Huang	.....	H05K 7/1468
2002/0072256	A1 *	6/2002	Lostoski	.....	H01R 9/26 439/76.1
2010/0202116	A1 *	8/2010	Sofker	.....	H05K 7/1474 361/747
2012/0043378	A1 *	2/2012	Vazach	.....	H05K 7/1474 235/375
2014/0156029	A1 *	6/2014	Godau	.....	H05K 7/1468 700/19
2017/0346205	A1 *	11/2017	Eriksson	.....	H01R 12/721
2018/0069359	A1 *	3/2018	Muller	.....	H01R 9/2658
2018/0115107	A1 *	4/2018	Correll	.....	H05K 7/1462
2018/0131131	A1 *	5/2018	Pathmanathan	.....	H01R 13/514

OTHER PUBLICATIONS

Installation Instructions, "Point I/O 4 Channel High Density Current Input Module", Rockwell Automation, Inc., 2016, 24 pages (see esp. pp. 6-11).

"S800 I/O Modules and Termination Units", ABB, 2010, 590 pages (see esp. pp. 15, 18-21, 36, 60, 66, 79, 91, 100, 107, 118, 129, 139, 152, 165, 171, 180, 189, 198, 208, 213, 219, 225, 237, 248, 258, 267, 276, 286, 298, 309, 321, 333, 343, 348, 354, 363, 373, 383, 392, 401, 411, 423, 443, 458, 461, 466, 471, 476, 483, 490, 498, 503, 509, 514, 520, 526, 532, 538, 544, 549, 554, 559, and 564).

\* cited by examiner

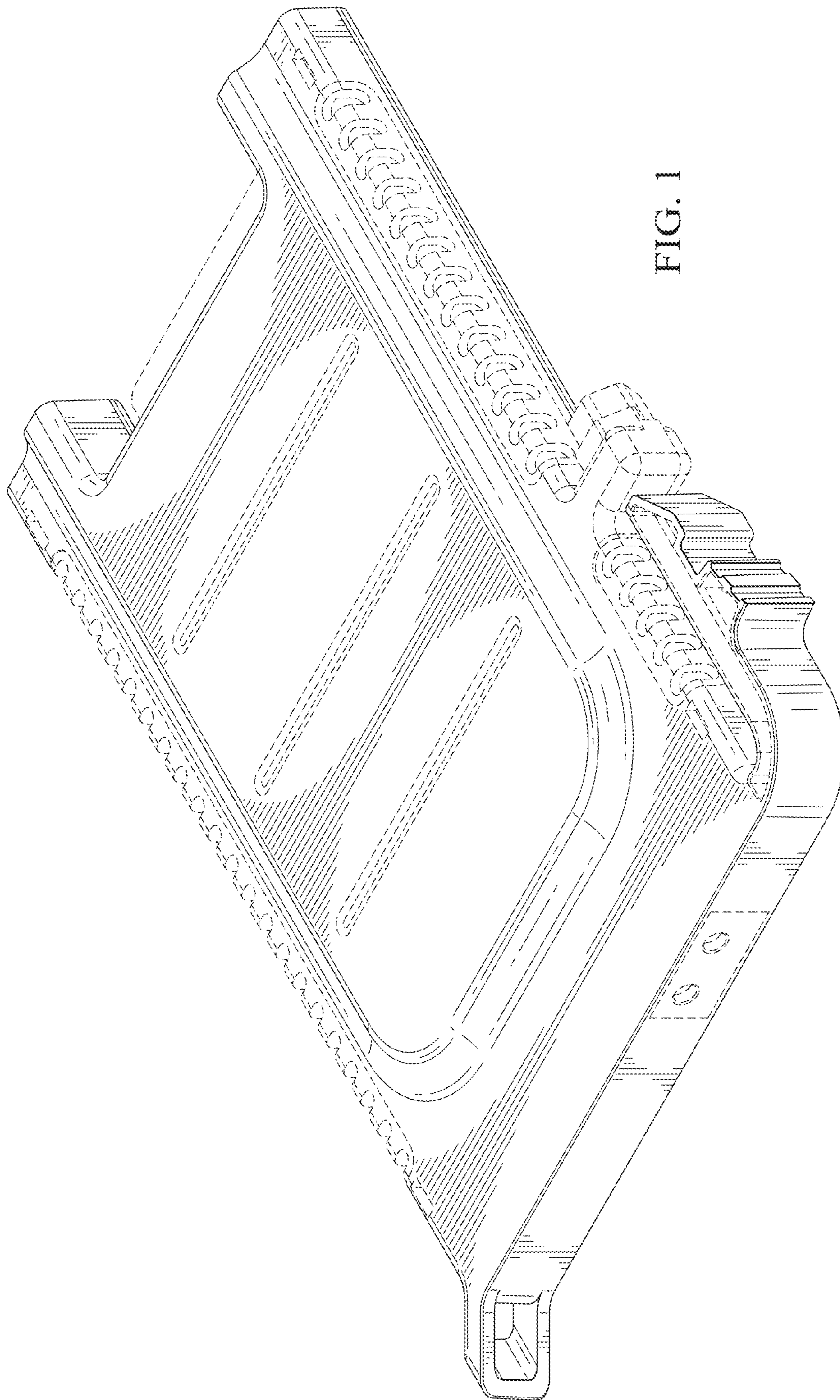


FIG. 1

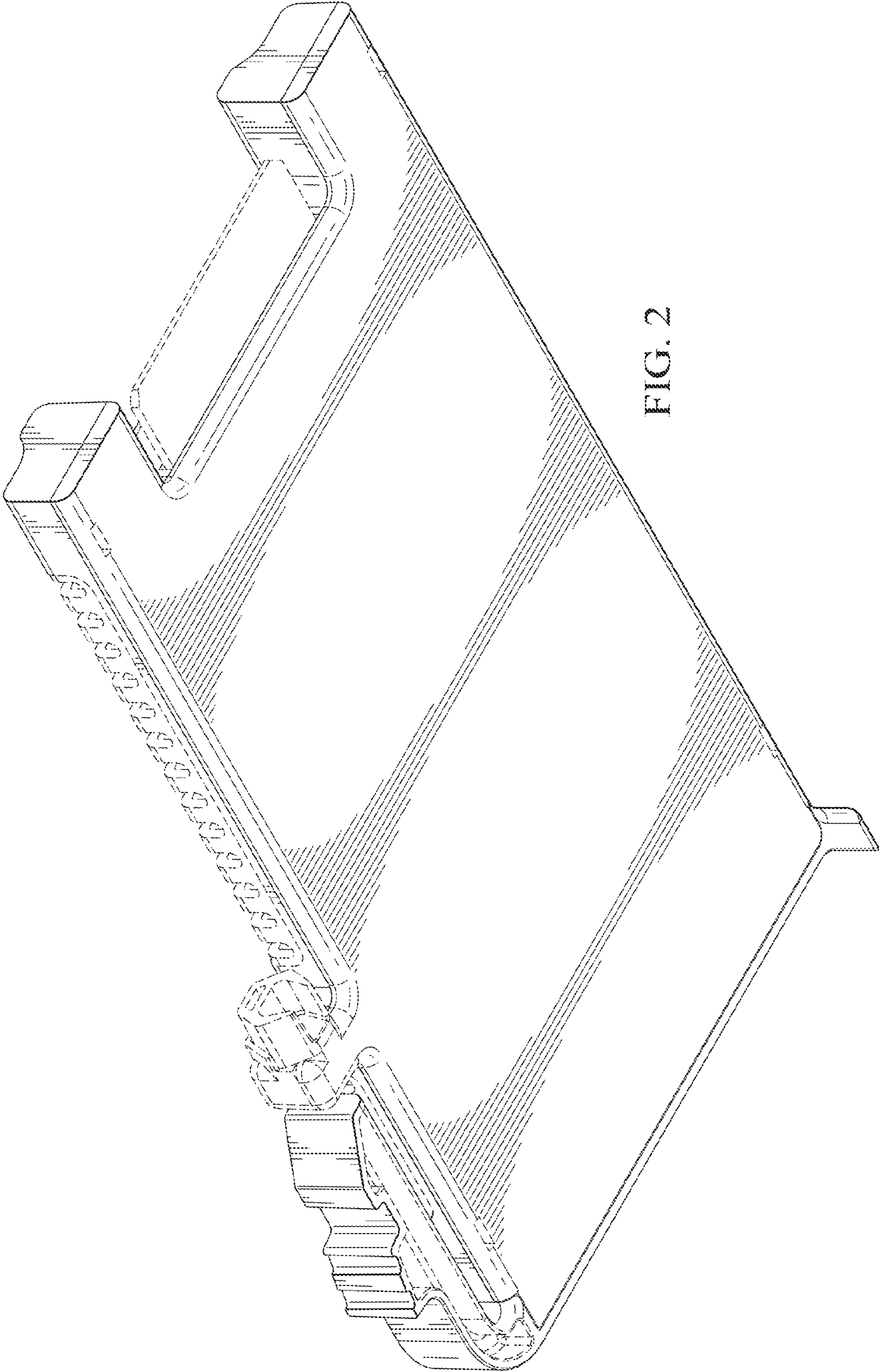


FIG. 2

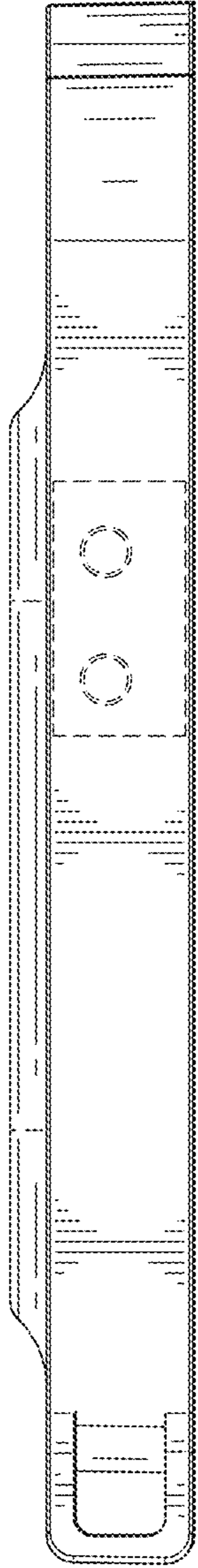


FIG. 3

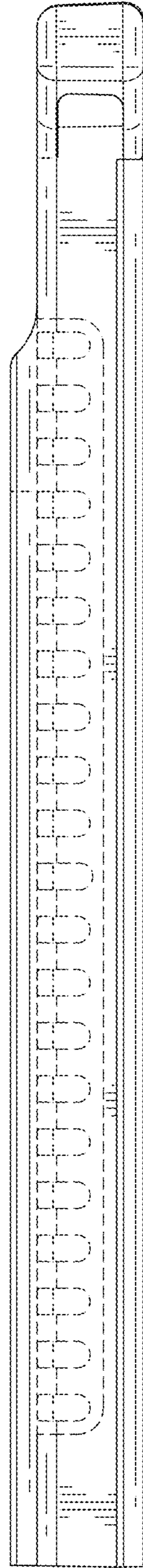


FIG. 4

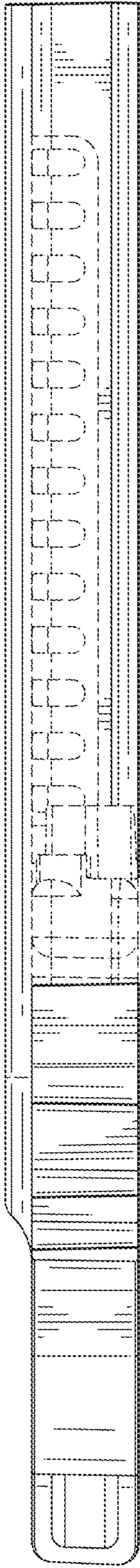


FIG. 5

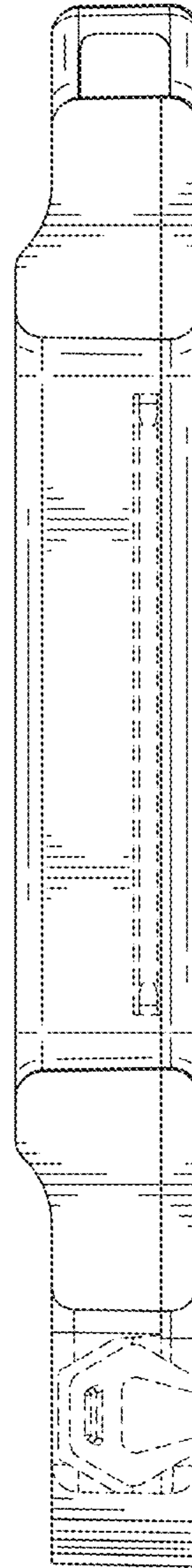


FIG. 6

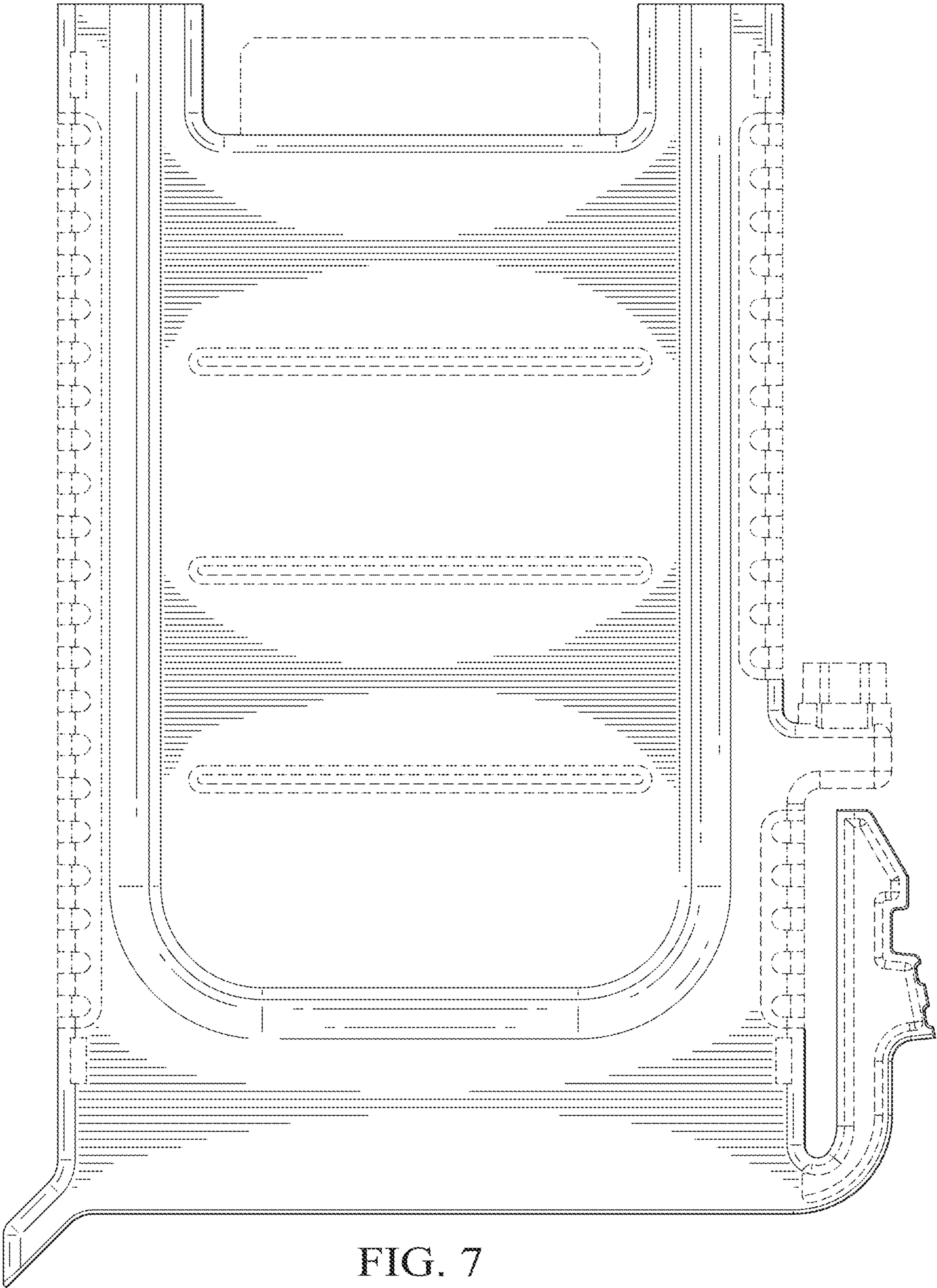


FIG. 7

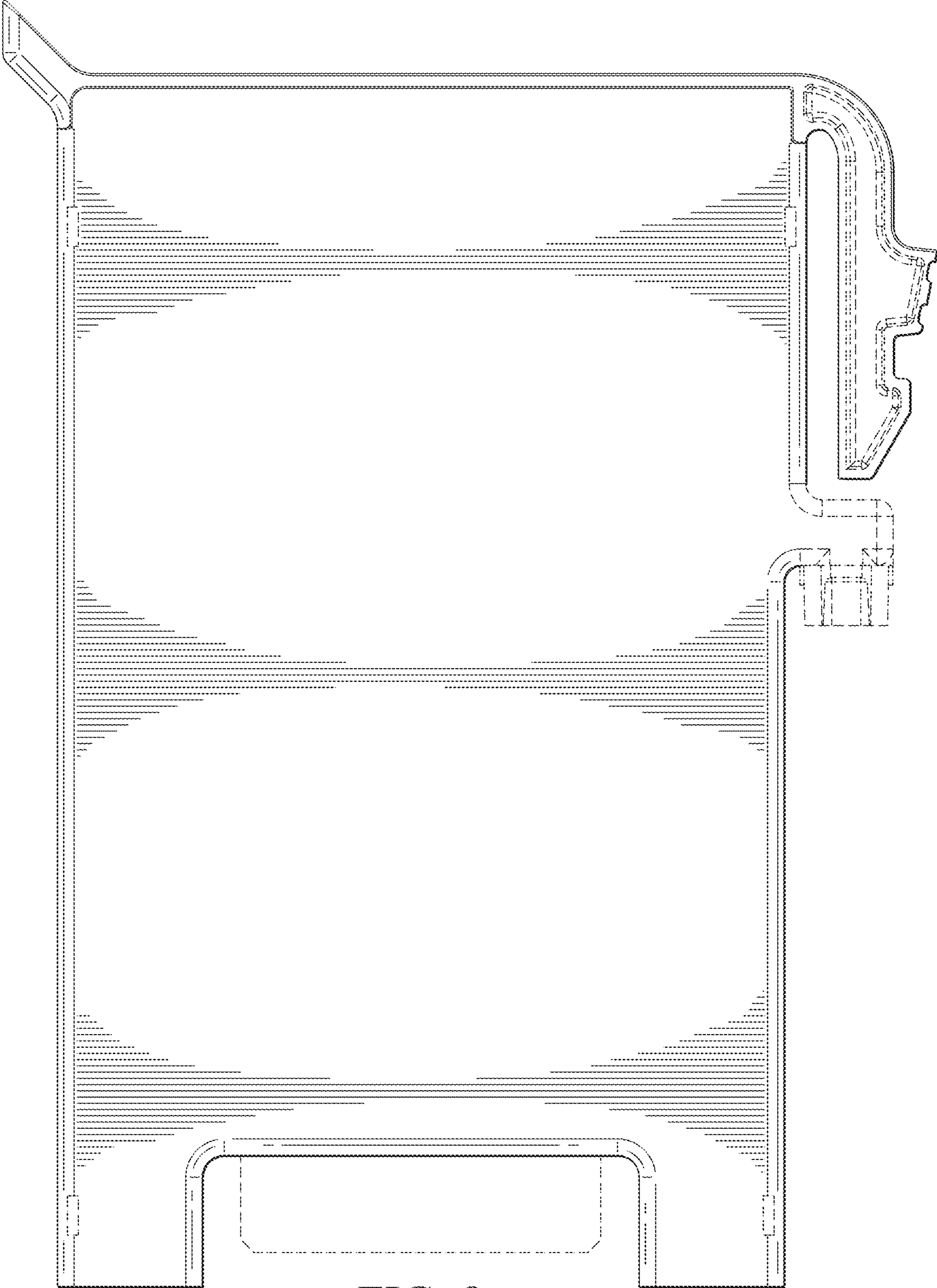


FIG. 8



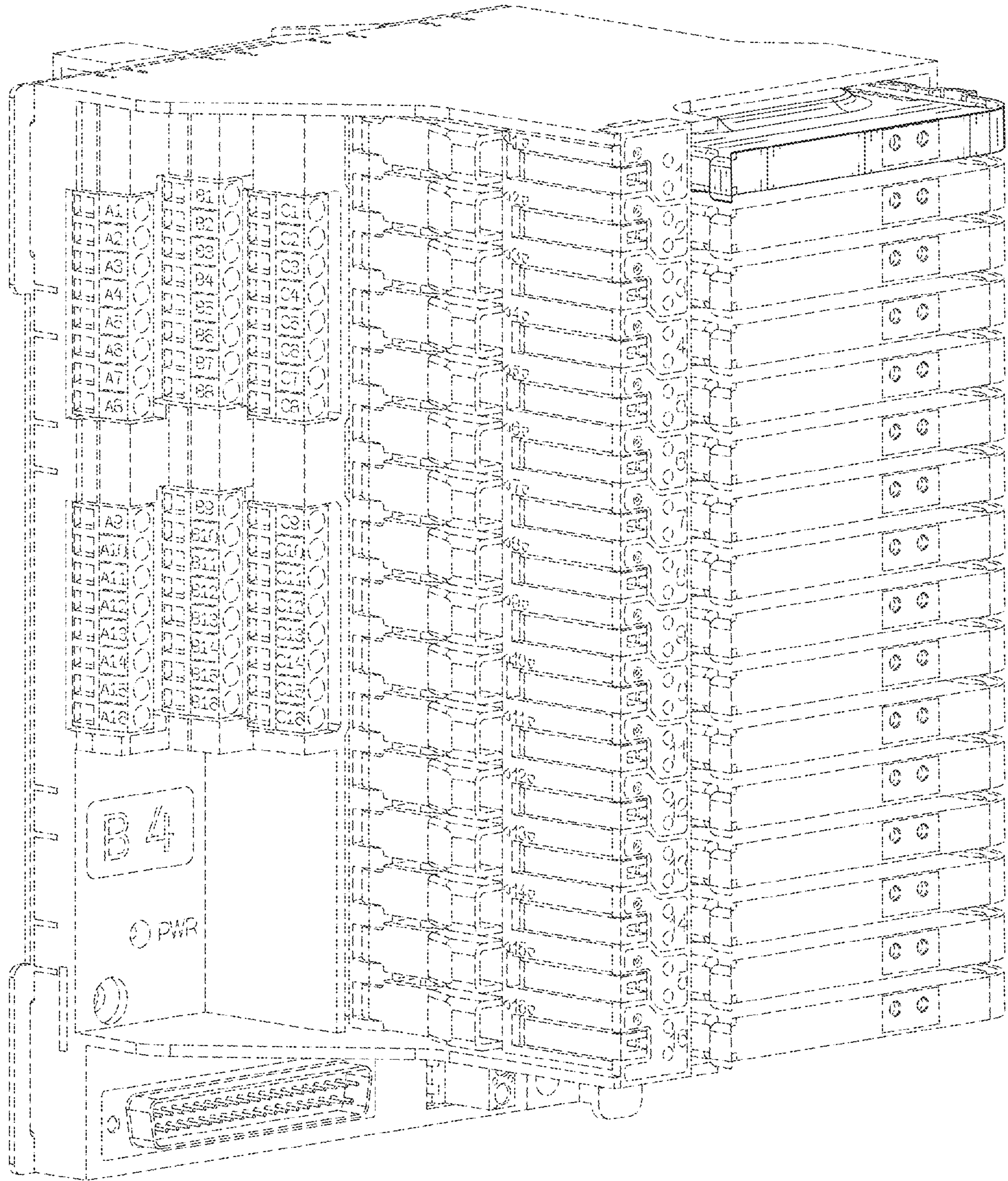


FIG. 9