



US00D900039S

(12) **United States Design Patent** (10) **Patent No.:** **US D900,039 S**
Yoshida et al. (45) **Date of Patent:** **** Oct. 27, 2020**

(54) **POWER COLLECTION FUSE BOX**
(71) Applicants: **Kabushiki Kaisha Toshiba**, Minato-ku, Tokyo (JP); **Toshiba Infrastructure Systems & Solutions Corporation**, Kawasaki-shi, Kanagawa (JP)
(72) Inventors: **Naoya Yoshida**, Tokyo (JP); **Kan Yamagishi**, Yokohama (JP)

D402,293 S * 12/1998 Kodaira D14/217
D412,313 S * 7/1999 Hughes D13/152
D415,098 S * 10/1999 Zimmer D13/103
D526,968 S * 8/2006 Castaldo D13/158
D677,624 S * 3/2013 Goodman D13/112
D742,840 S * 11/2015 Santos D13/162
D745,853 S * 12/2015 Andresen D13/184
D795,802 S * 8/2017 Inagaki D13/107
2003/0218528 A1* 11/2003 Stavnes H01H 85/17
337/159

(Continued)

(73) Assignees: **Kabushiki Kaisha Toshiba**, Minato-ku, Tokyo (JP); **Toshiba Infrastructure Systems & Solutions Corporation**, Kawasaki-shi, Kanagawa (JP)

FOREIGN PATENT DOCUMENTS

JP 2001217039 A * 8/2001
JP D1573468 4/2017

(Continued)

(**) Term: **15 Years**
(21) Appl. No.: **29/663,087**
(22) Filed: **Sep. 12, 2018**

Primary Examiner — Angela J Lee
Assistant Examiner — Shawn T Gingrich
(74) *Attorney, Agent, or Firm* — Banner & Witcoff, Ltd.

(30) **Foreign Application Priority Data**

(57) **CLAIM**

The ornamental design for a power collection fuse box, as shown and described.

Mar. 15, 2018 (JP) 2018-005370

(51) **LOC (12) Cl.** **13-03**
(52) **U.S. Cl.**

DESCRIPTION

USPC **D13/160**
(58) **Field of Classification Search**
USPC D13/107, 108, 110, 118, 119, 123, 133, D13/152, 158-162, 173, 184, 199
CPC H01H 13/04; H01H 85/00; H01H 85/08; H01H 85/20; H01H 85/30; H01R 3/00; H01R 4/20; H01R 12/00; H01R 13/68
See application file for complete search history.

FIG. 1 is a perspective view of a power collection fuse box, showing our new design;
FIG. 2 is a front view thereof;
FIG. 3 is a right side view thereof, the left side being symmetrical;
FIG. 4 is a top view thereof;
FIG. 5 is a rear view thereof;
FIG. 6 is a bottom view thereof;
FIG. 7 is a cross sectional view thereof, taken along the line 7-7 in FIG. 2; and,
FIG. 8 is a cross sectional view thereof, taken along the line 8-8 in FIG. 2.

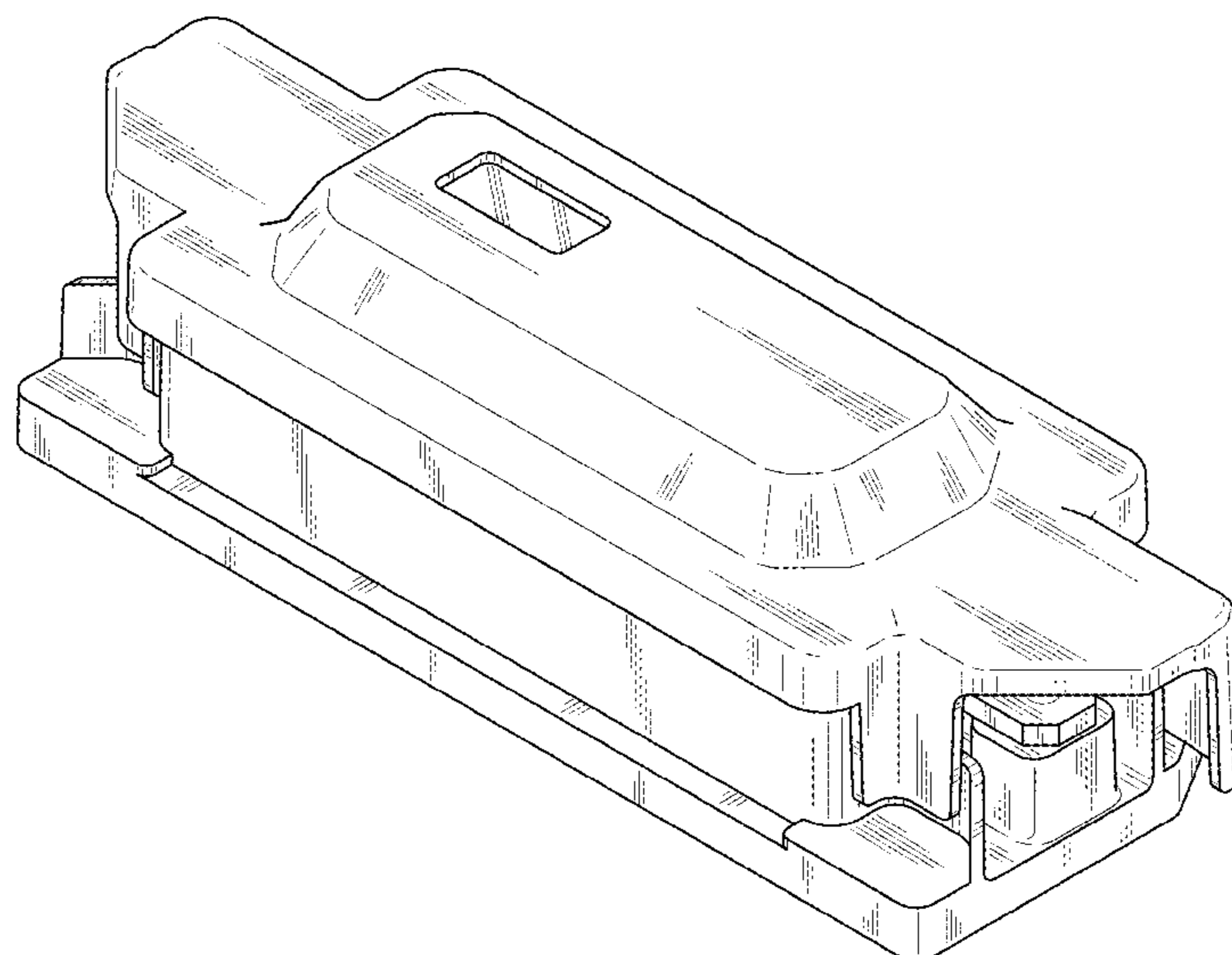
(56) **References Cited**

The broken lines show portions of the power collection fuse box that form no part of the claimed design.

U.S. PATENT DOCUMENTS

D75,769 S * 7/1928 Bennett D13/161
D294,346 S * 2/1988 Holmes D13/171
D385,849 S * 11/1997 Mathews D13/133
D394,041 S * 5/1998 Spriester D13/123

1 Claim, 8 Drawing Sheets



(56)

References Cited

U.S. PATENT DOCUMENTS

2014/0292272 A1* 10/2014 Inagaki B60L 53/18
320/109
2015/0288078 A1* 10/2015 King, Jr. H01R 4/2433
174/70 R
2018/0011574 A1* 1/2018 Lim H01H 35/00

FOREIGN PATENT DOCUMENTS

JP 2018026251 A * 2/2018
JP 2018063928 A * 4/2018
KR D30-0872854 9/2016

* cited by examiner

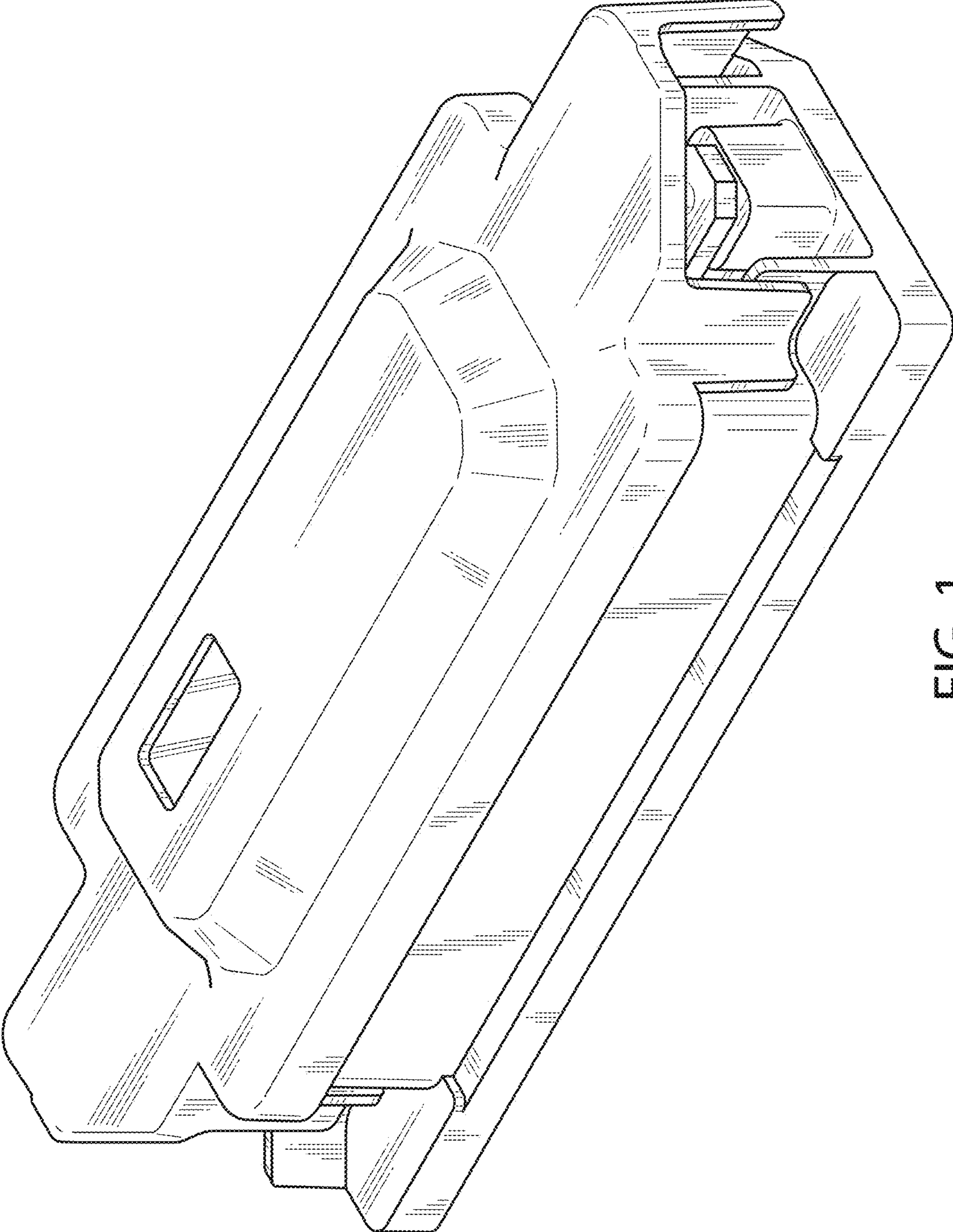


FIG. 1

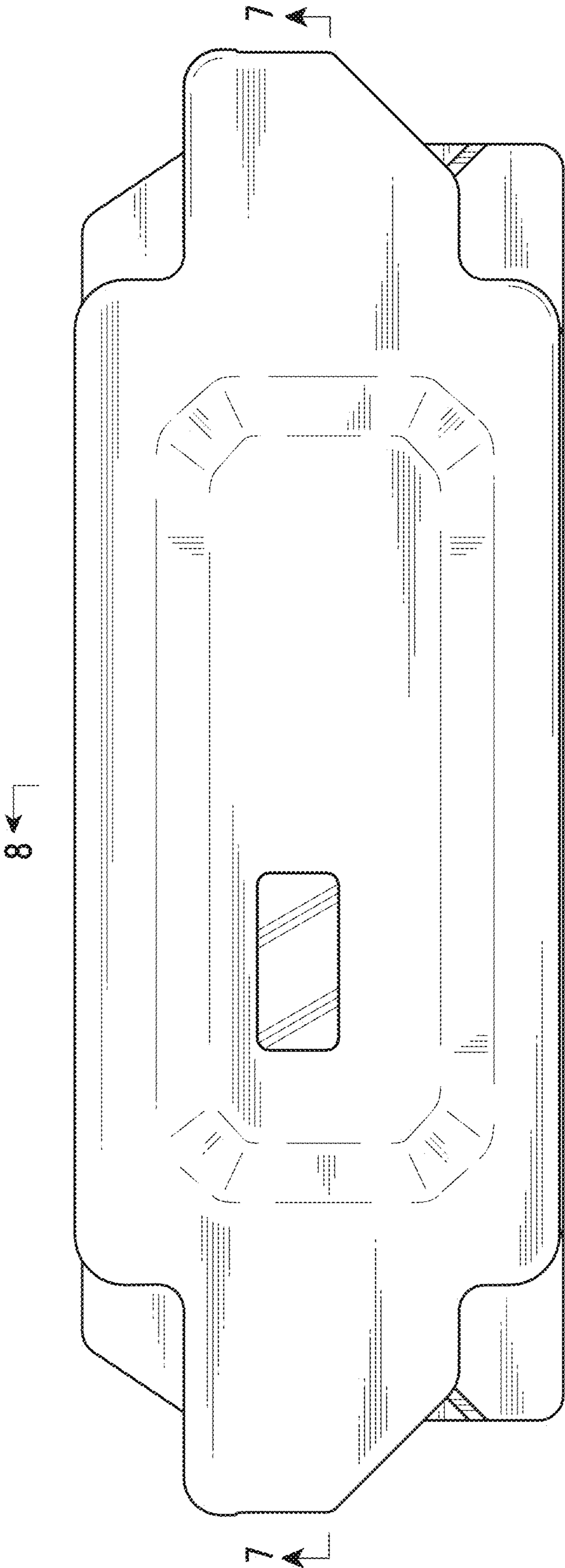


FIG. 2

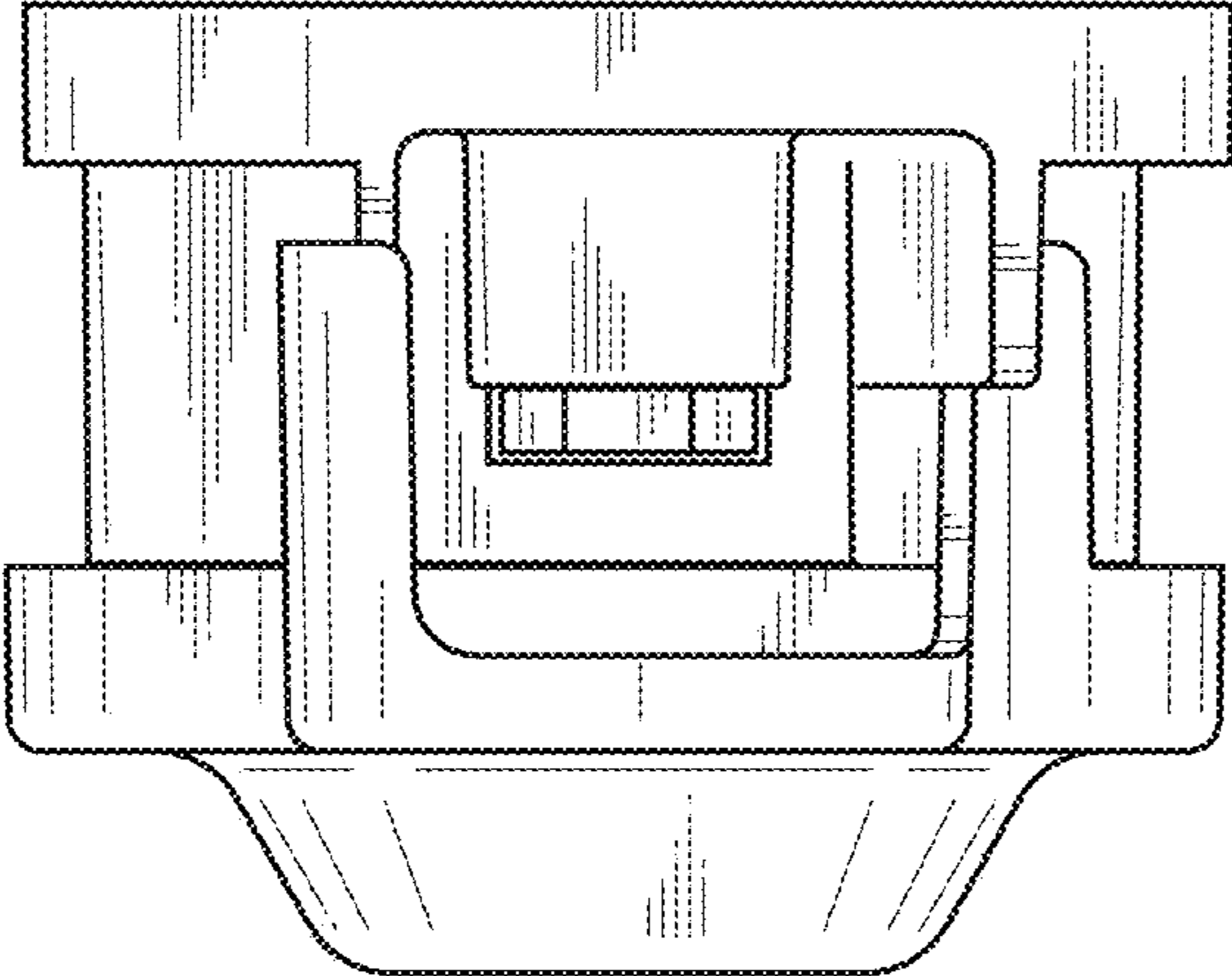


FIG. 3

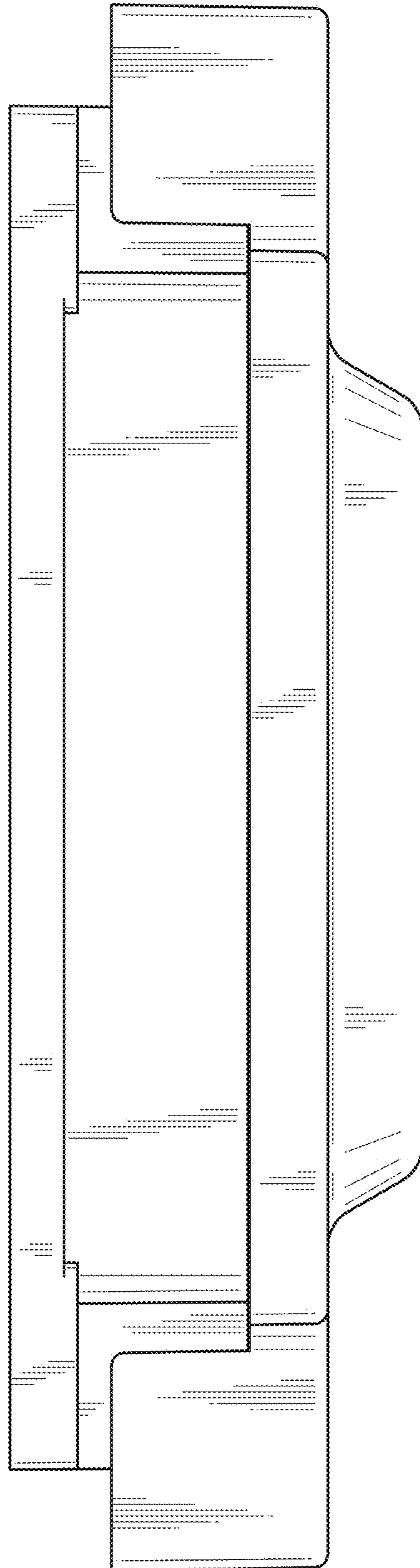


FIG. 4

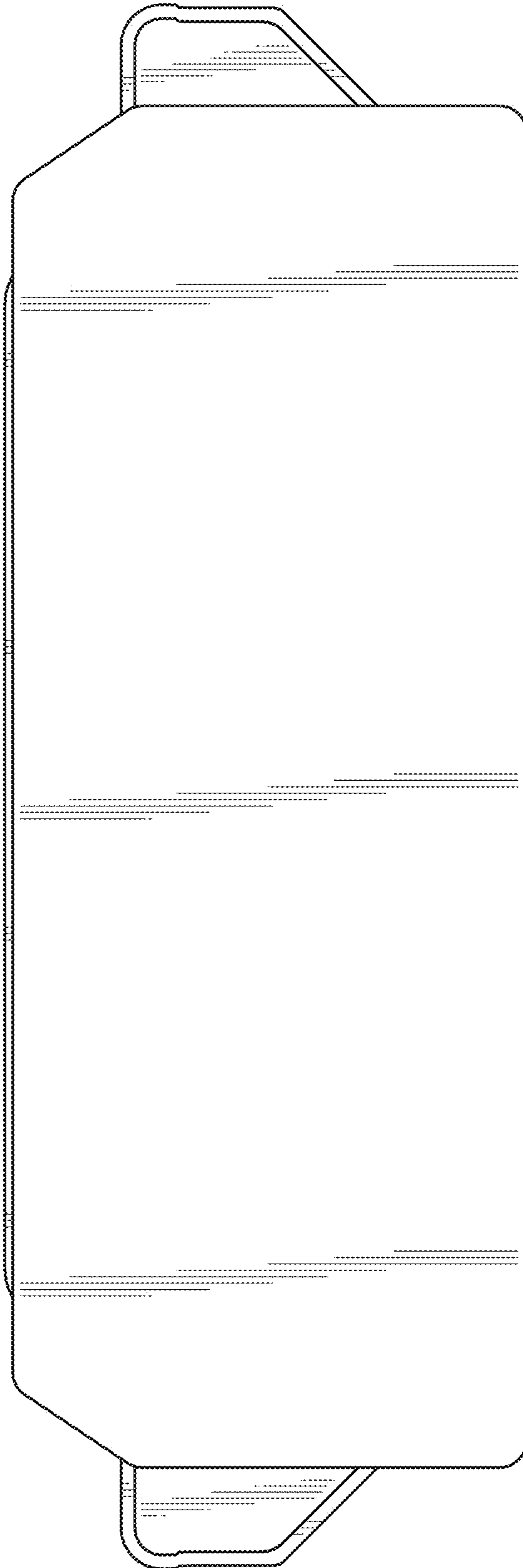


FIG. 5

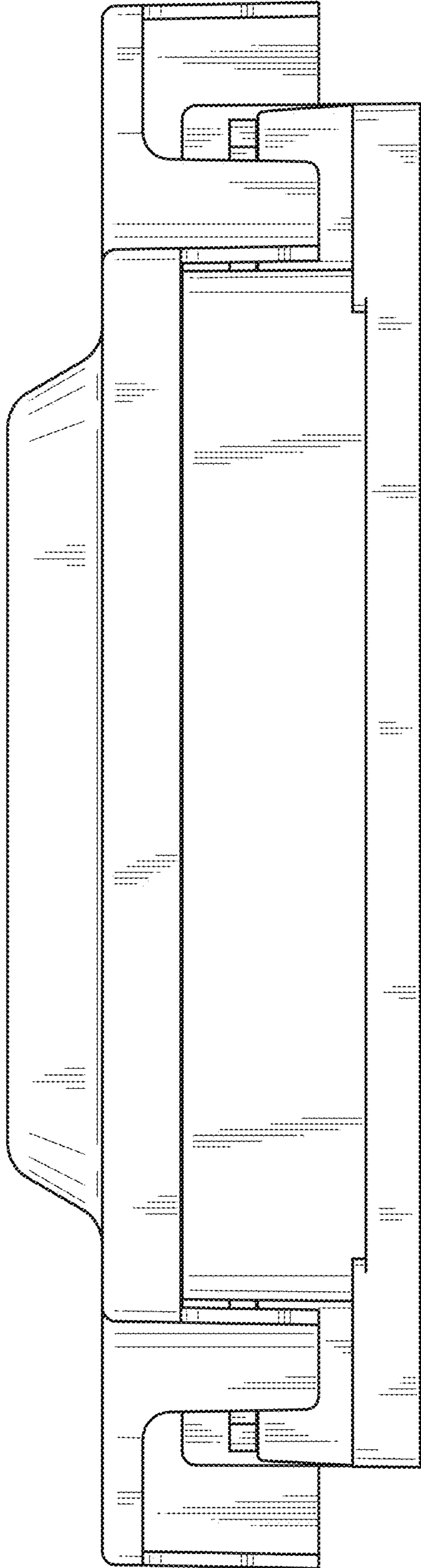


FIG. 6

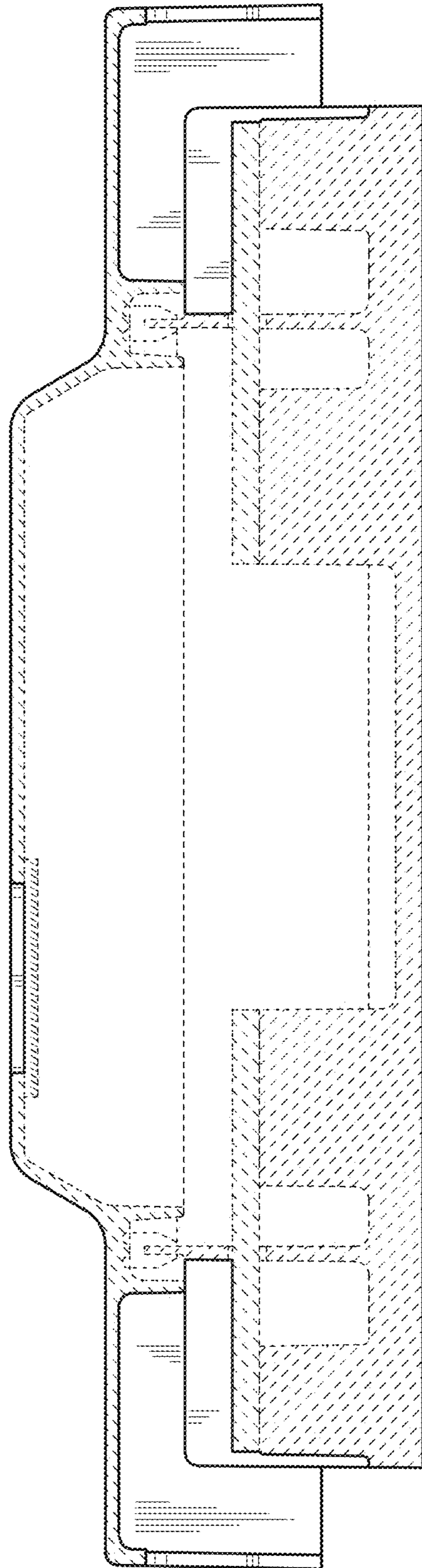


FIG. 7

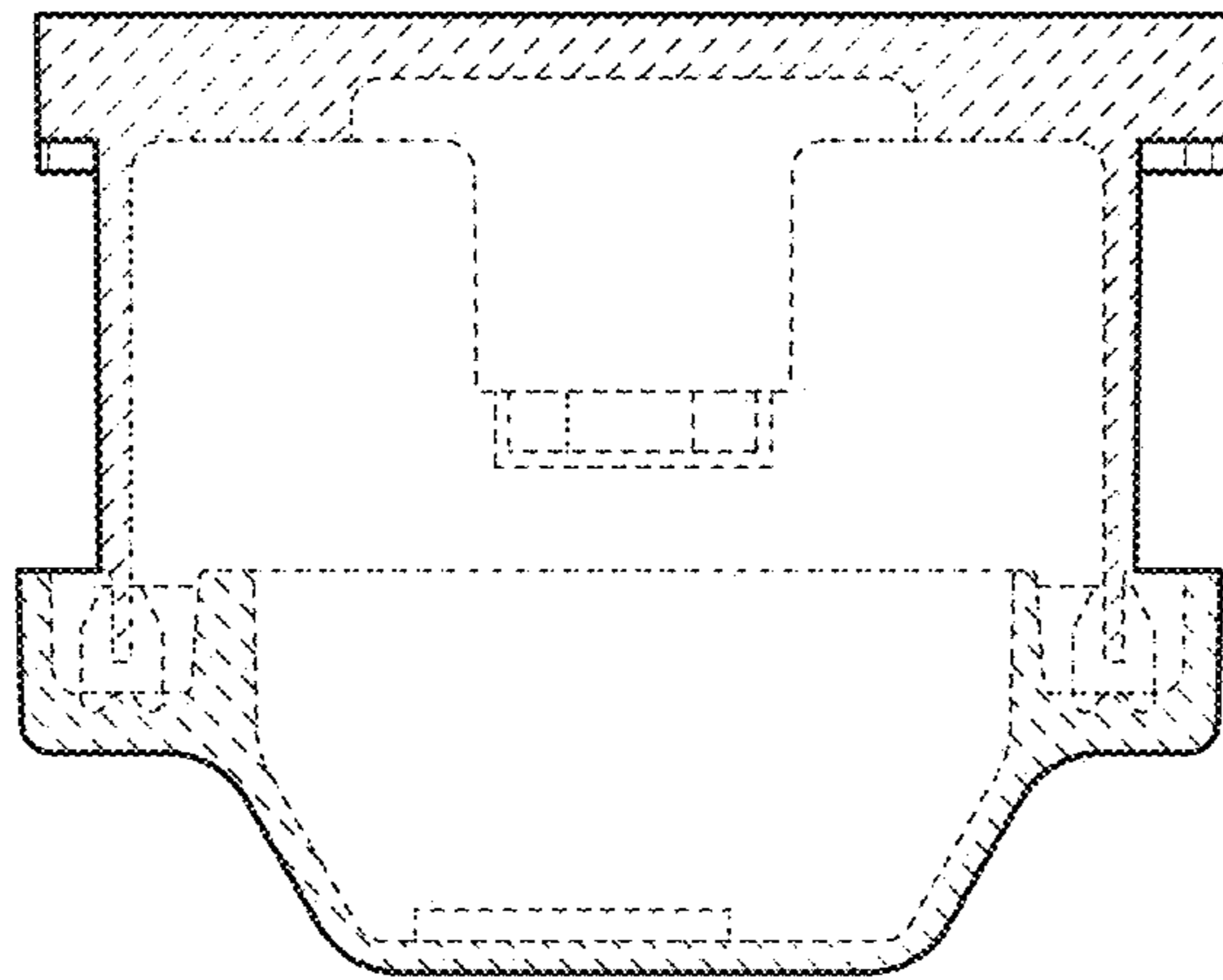


FIG. 8