



US00D900037S

(12) **United States Design Patent**
Wu

(10) **Patent No.:** **US D900,037 S**

(45) **Date of Patent:** **** Oct. 27, 2020**

(54) **LEVER FOR TERMINAL SOCKET**

(71) Applicants: **DINKLE ENTERPRISE CO., LTD.**,
New Taipei (TW); **DINKLE**
ELECTRIC MACHINERY (CHINA)
CO., LTD., Kunshan, Jiangsu (CN)

(72) Inventor: **Shang-Tsai Wu**, New Taipei (TW)

(73) Assignees: **DINKLE ENTERPRISE CO., LTD.**,
New Taipei (TW); **DINKLE**
ELECTRIC MACHINERY (CHINA)
CO., LTD., Kunshan, Jiangsu (CN)

(**) Term: **15 Years**

(21) Appl. No.: **29/687,278**

(22) Filed: **Apr. 11, 2019**

(51) **LOC (12) Cl.** **13-03**

(52) **U.S. Cl.**
USPC **D13/146**

(58) **Field of Classification Search**
USPC D13/103, 107, 108, 110, 112, 118, 120,
D13/123, 133, 137.1, 145-147, 149-156,
D13/158, 173, 177, 184, 199; D14/240,
D14/242, 432-438, 435.1; D8/308;
D12/179; D22/108; D23/252, 309
CPC ... H01R 9/2416; H01R 4/4836; H01R 9/4845
See application file for complete search history.

(56) **References Cited**

U.S. PATENT DOCUMENTS

D257,166 S * 9/1980 Hogue 42/71.02
5,251,380 A * 10/1993 Craig B25G 1/102
16/421

D349,938 S * 8/1994 Hogue D22/104
D410,988 S * 6/1999 Hines D22/100
D647,602 S * 10/2011 Jones D23/252
D686,687 S * 7/2013 Dueck D22/108
8,701,327 B2 * 4/2014 Kincel F41G 11/005
42/90
D787,913 S * 5/2017 Robinson D8/322
D875,872 S * 2/2020 Dew D22/108
D880,639 S * 4/2020 Burgess D22/108

* cited by examiner

Primary Examiner — Darcey E Gottschalk

(74) *Attorney, Agent, or Firm* — Chun-Ming Shih; HDSL
IPR Services

(57) **CLAIM**

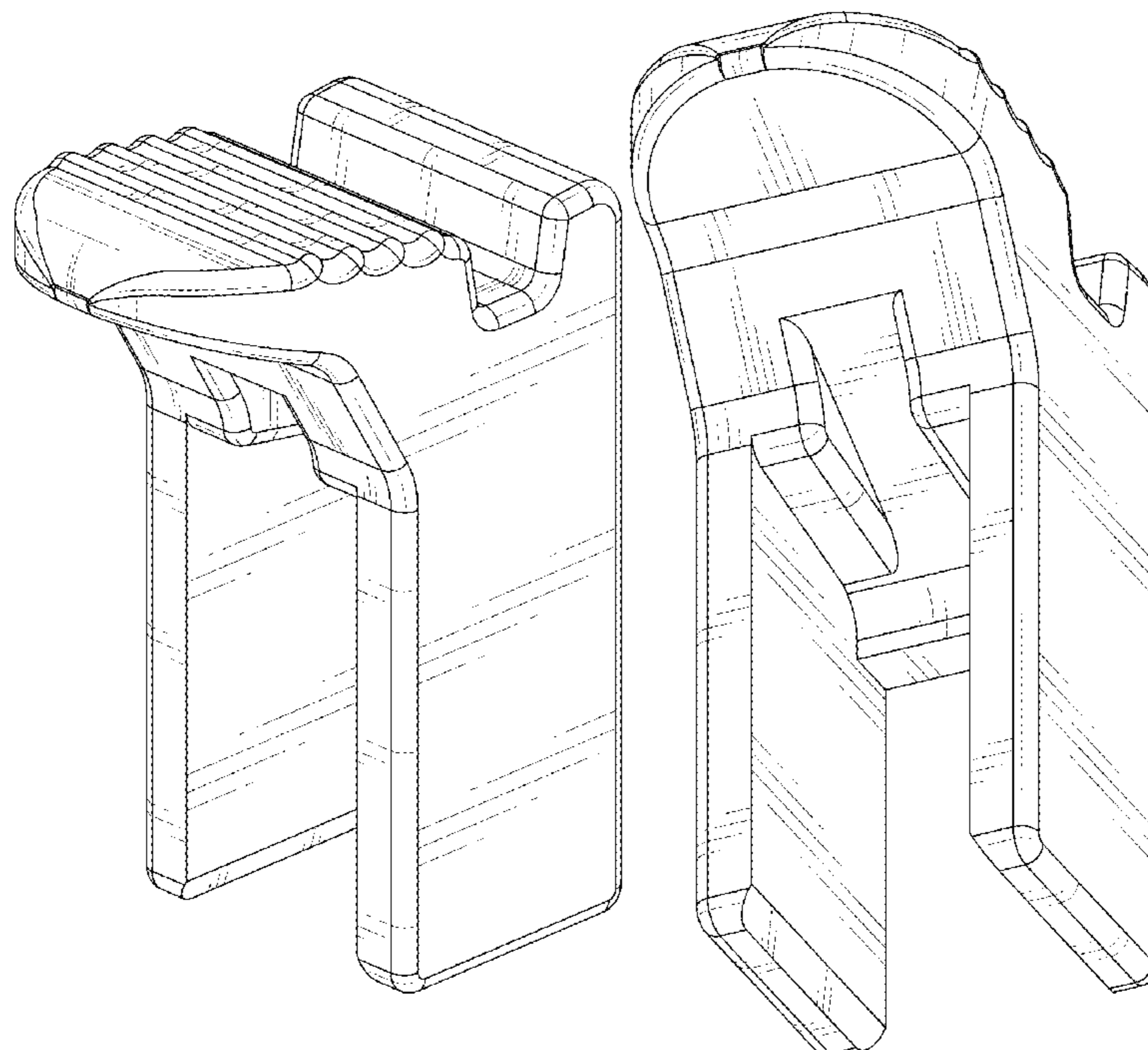
The ornamental design for a lever for terminal socket, as shown and described.

DESCRIPTION

FIG. 1 is a perspective view of a lever for terminal socket showing my new design;
FIG. 2 is a front view thereof;
FIG. 3 is a rear view thereof;
FIG. 4 is a left side view thereof;
FIG. 5 is a right side view thereof;
FIG. 6 is a top view thereof;
FIG. 7 is a bottom view thereof;
FIG. 8 is second perspective view thereof;
FIG. 9 is third perspective view thereof; and,
FIG. 10 a perspective view showing the lever for terminal socket in use.

The broken lines in the drawings illustrate portions of the lever for terminal socket that form no part of the claimed design.

1 Claim, 10 Drawing Sheets



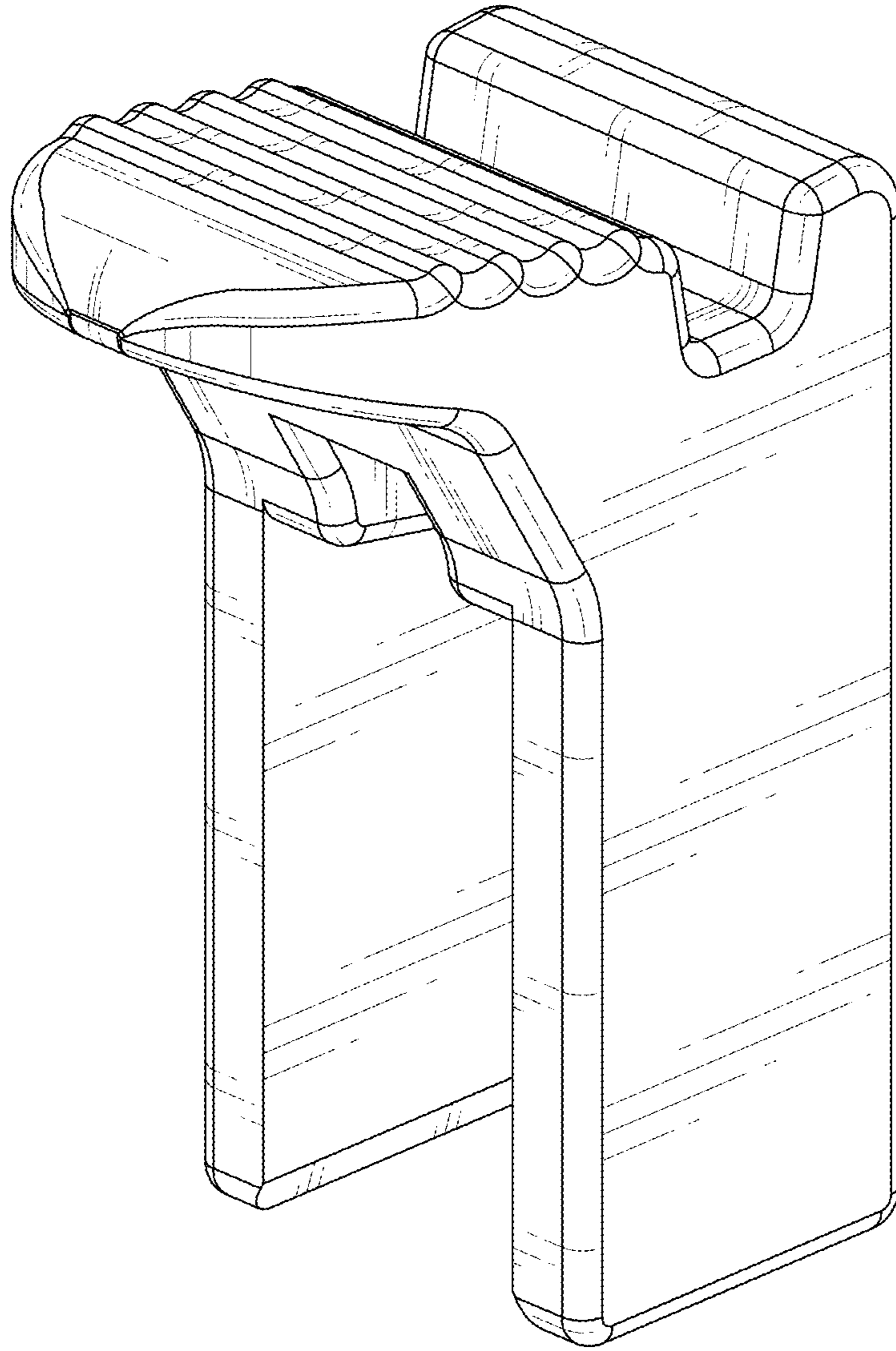


FIG.1

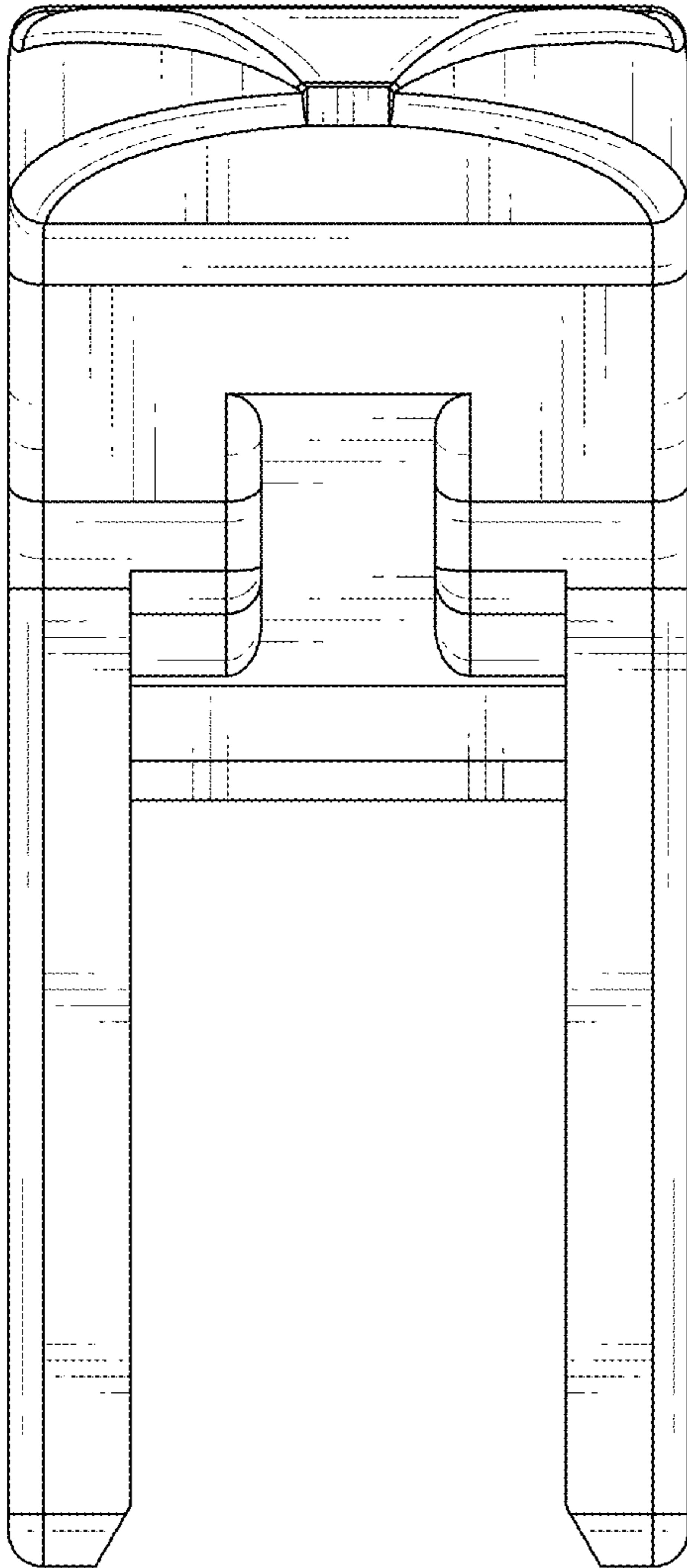


FIG.2

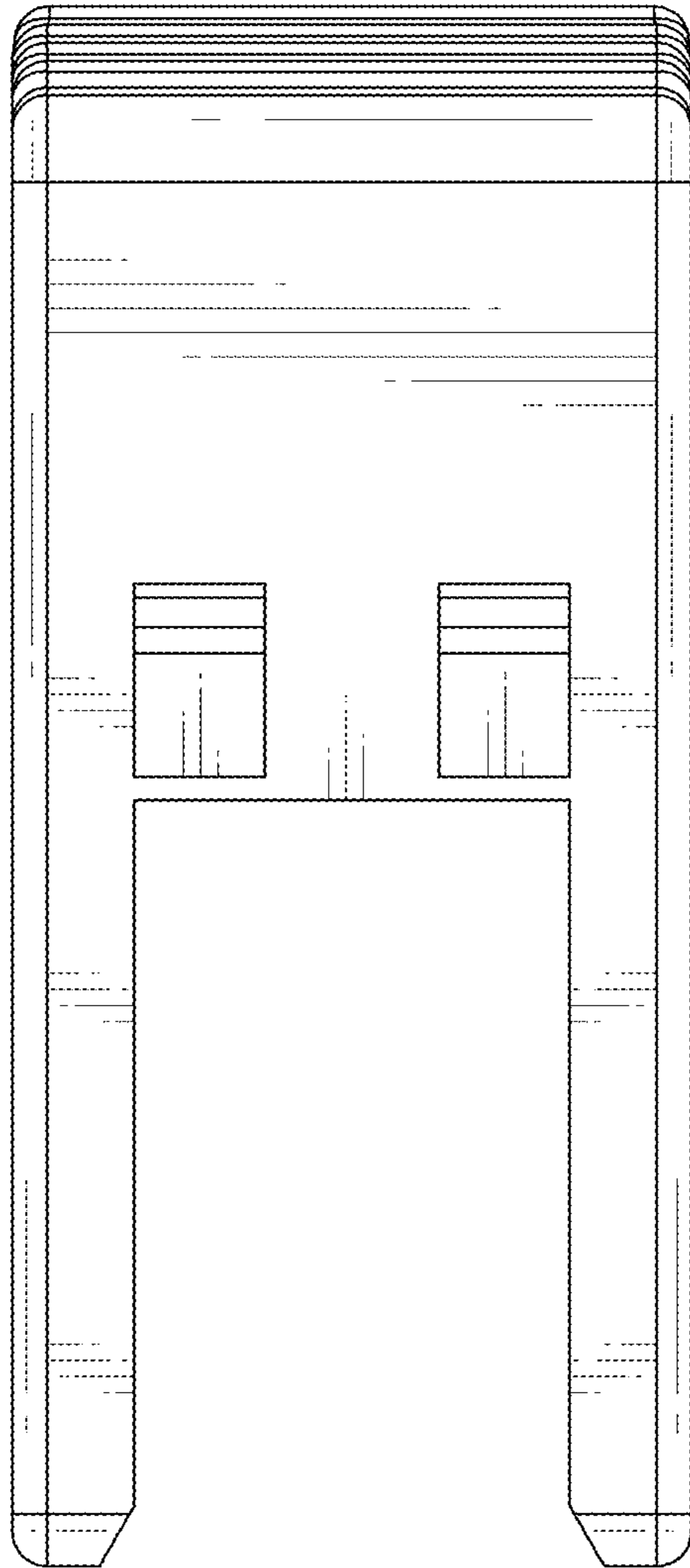


FIG.3

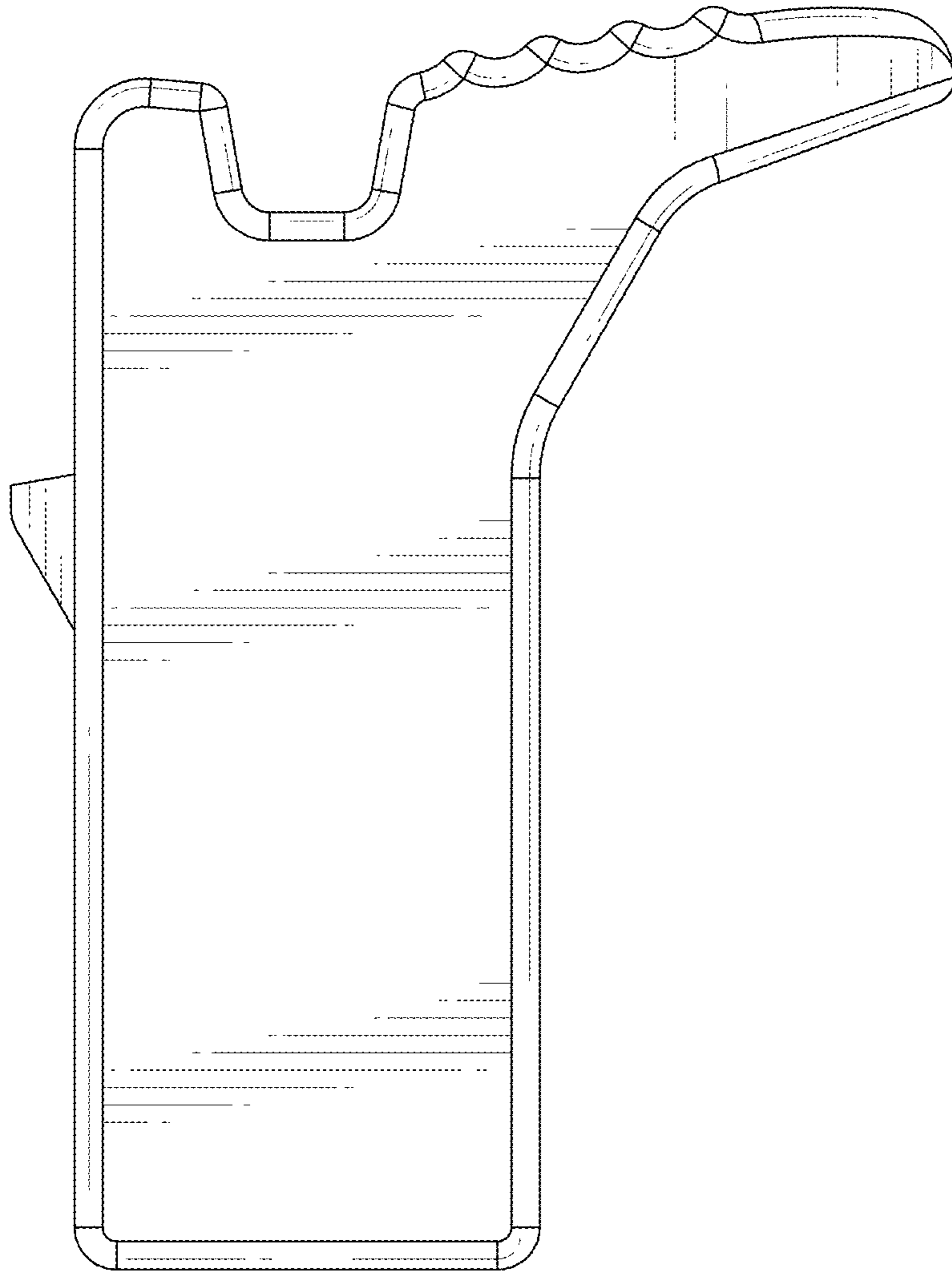


FIG.4

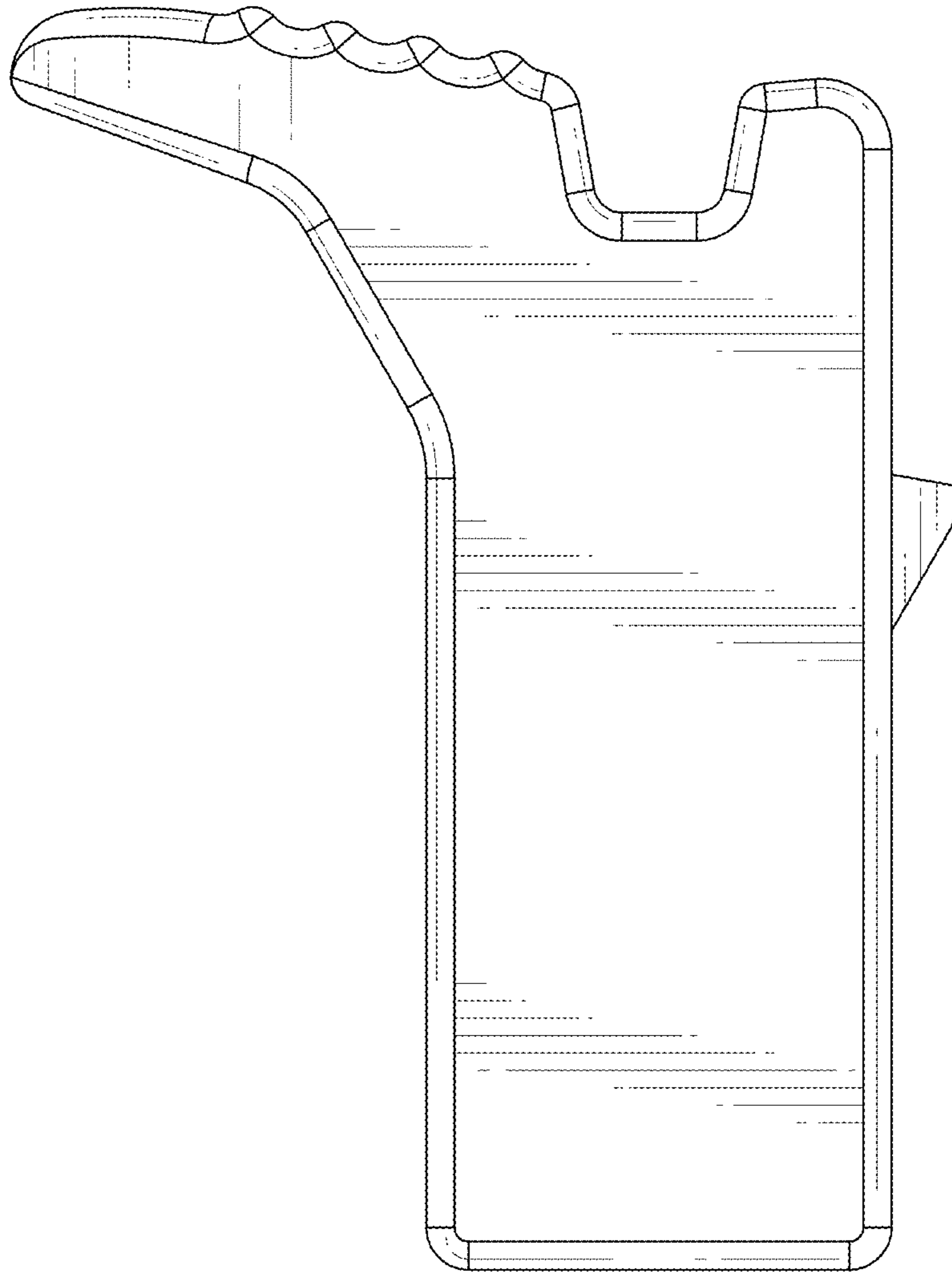


FIG.5

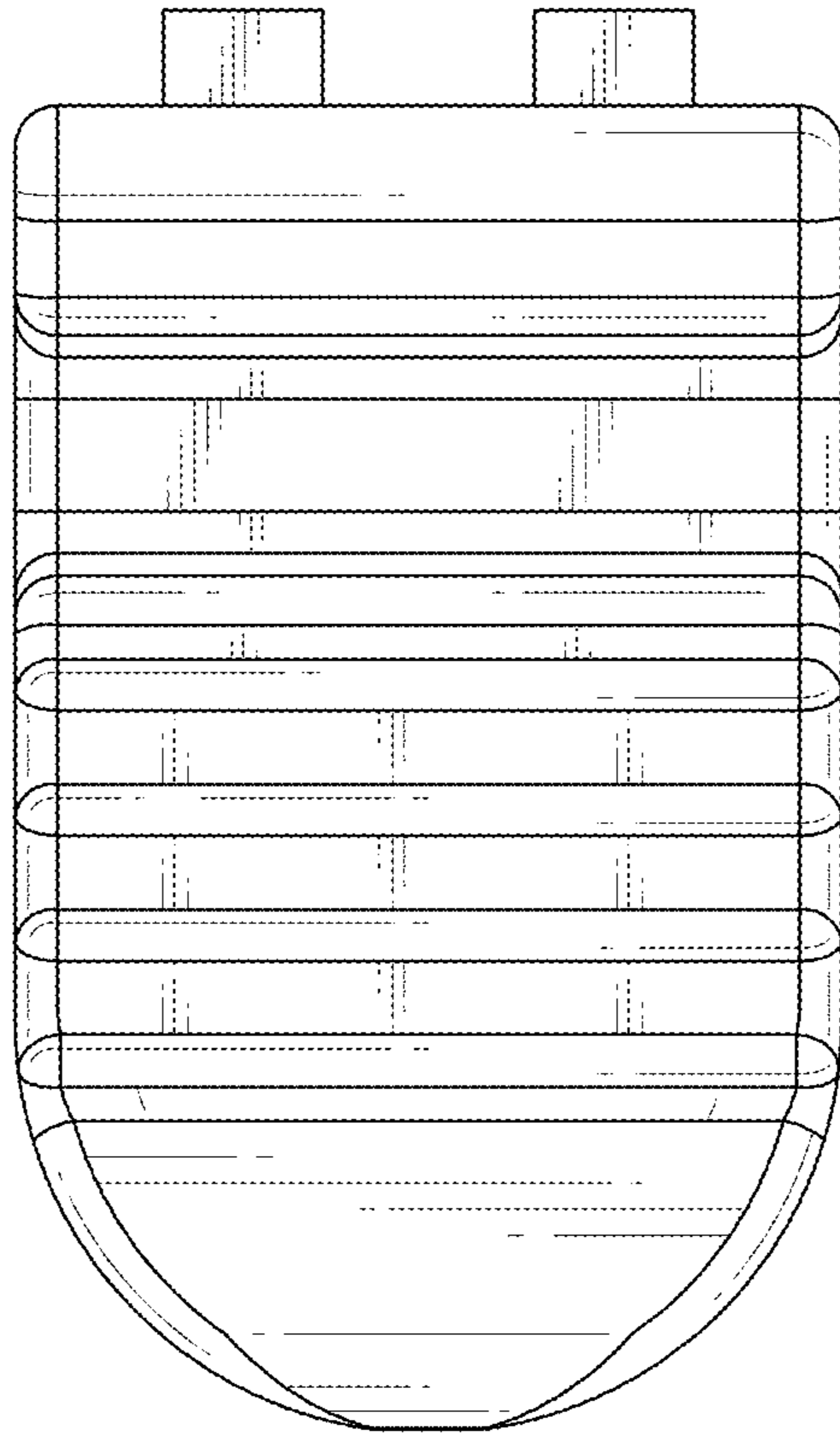


FIG.6

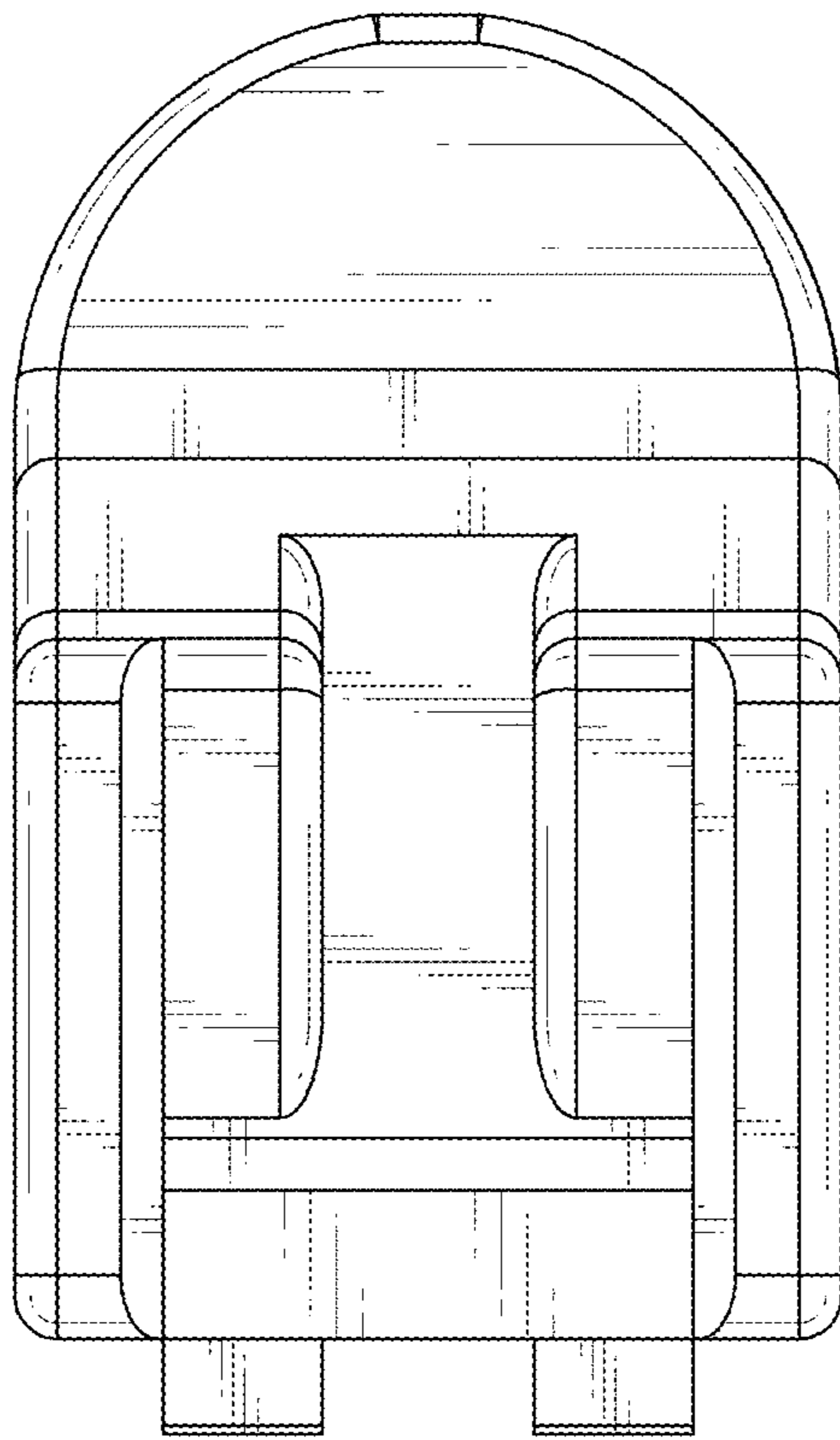


FIG.7

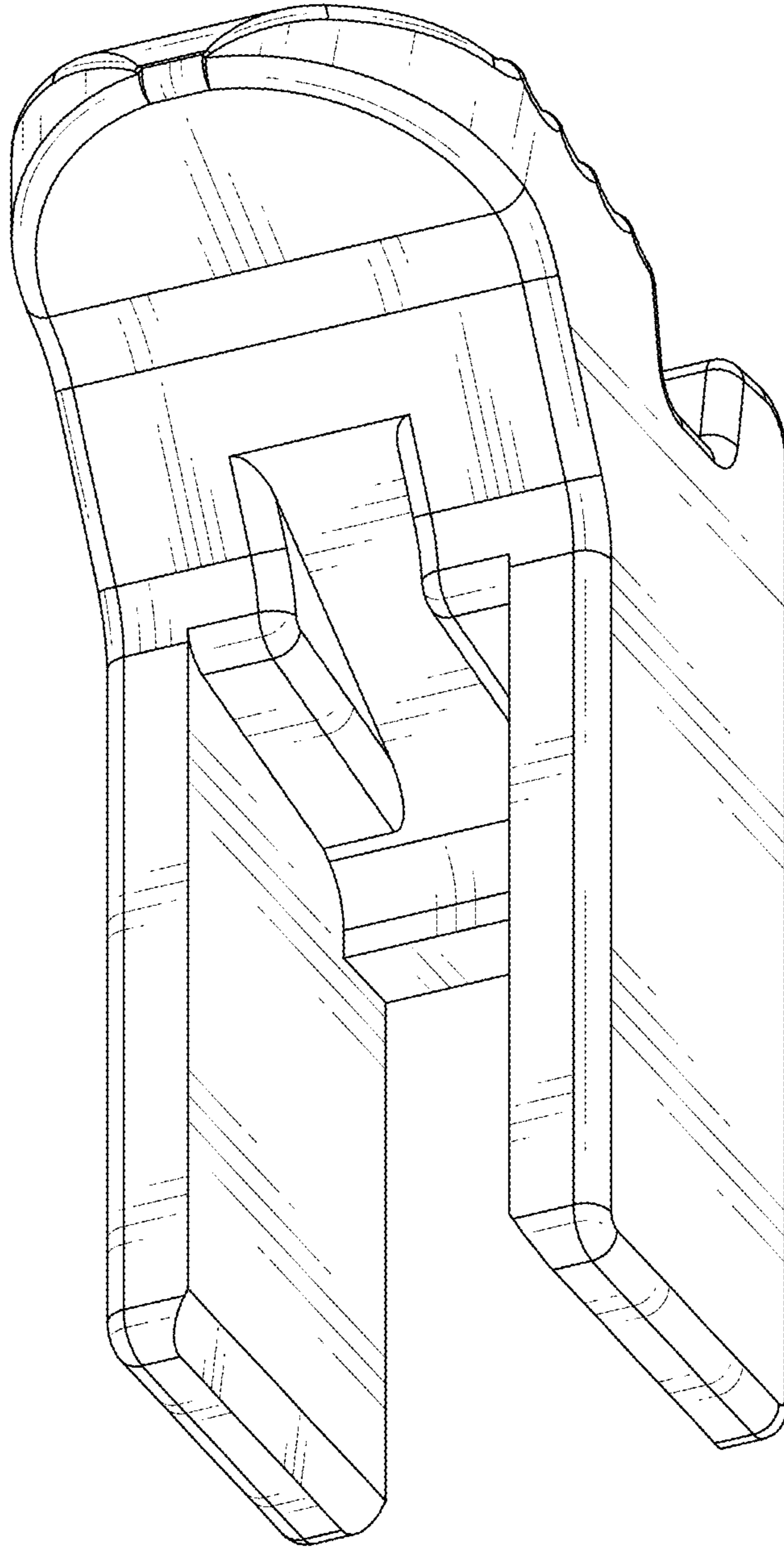


FIG.8

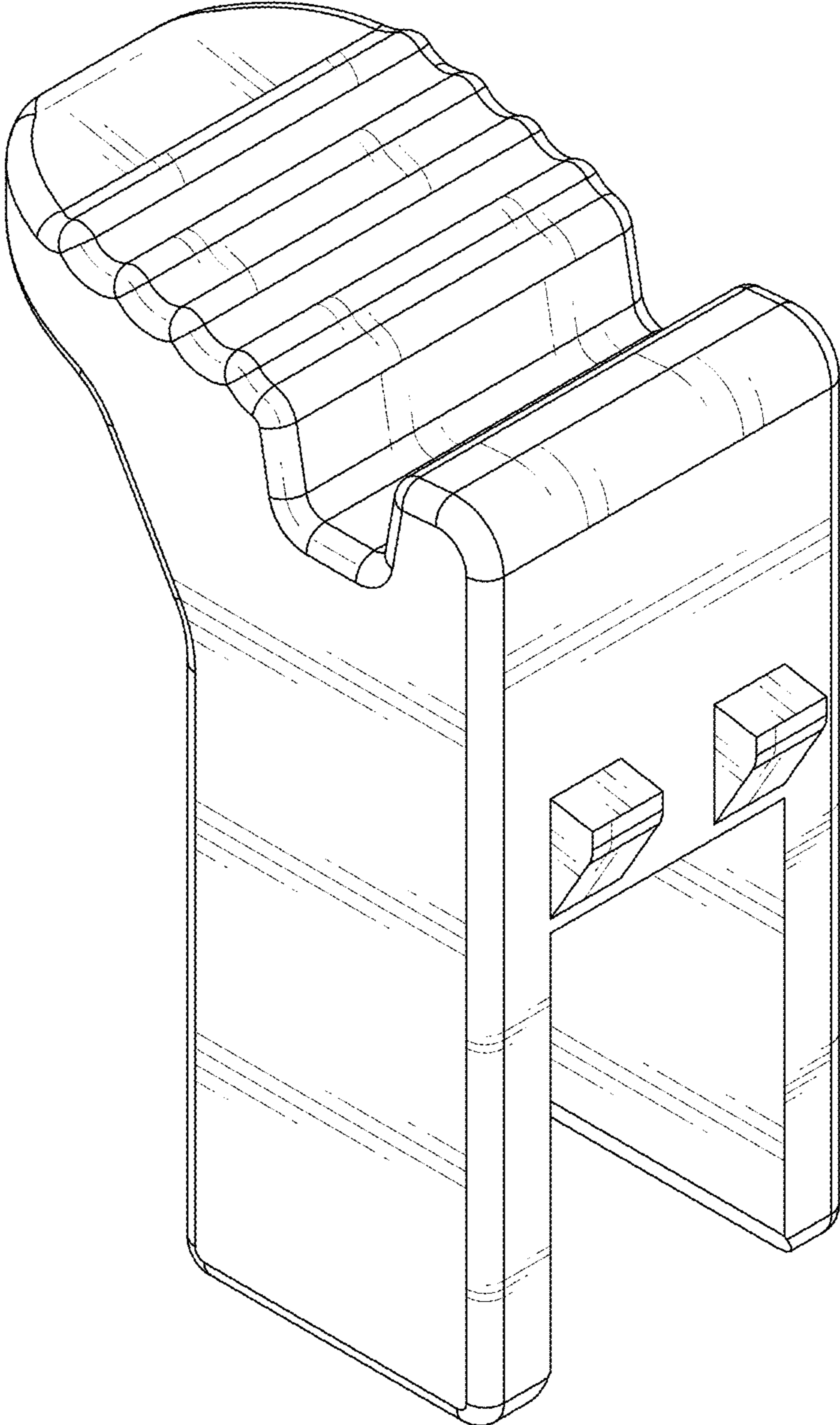


FIG.9

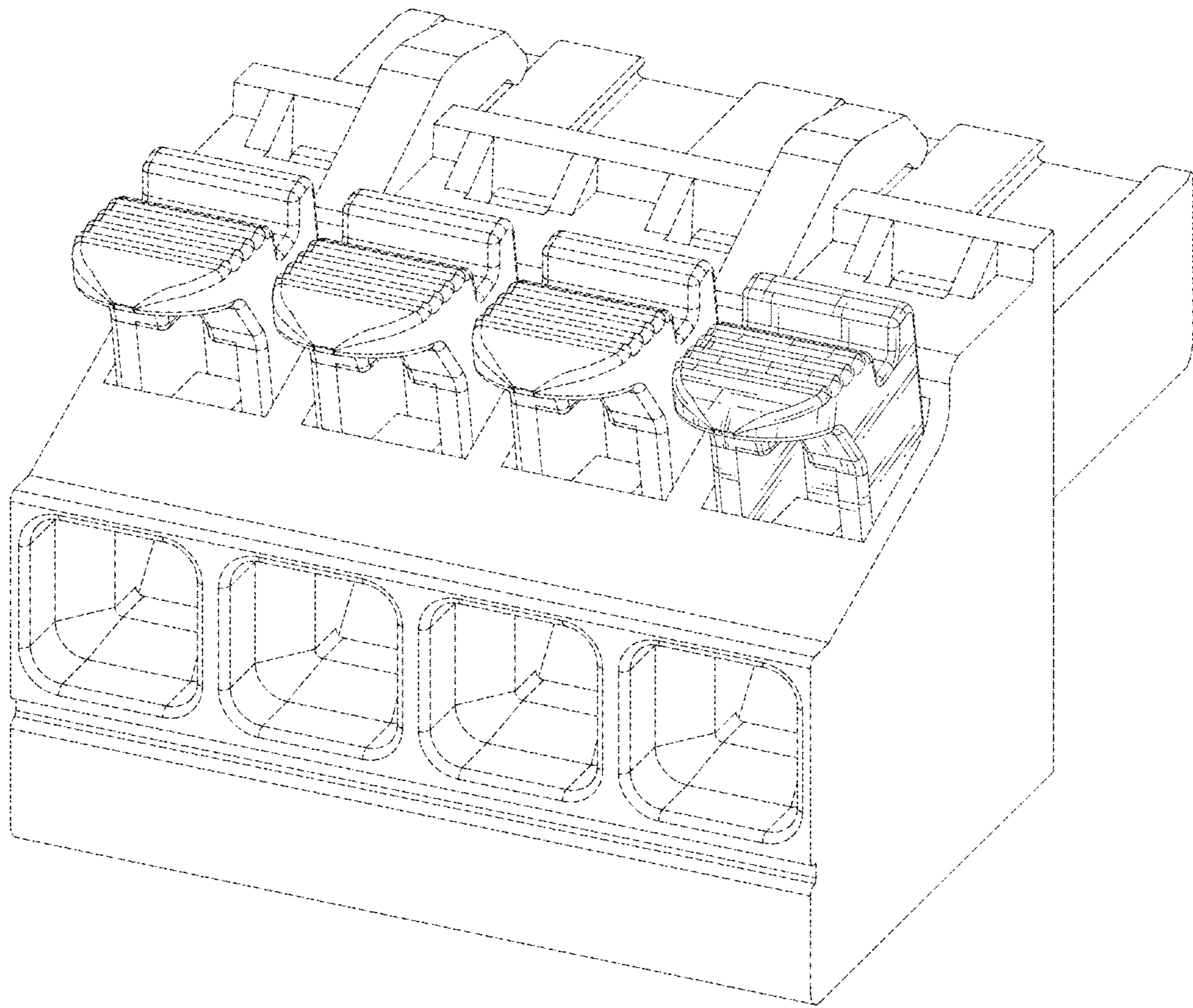


FIG.10