



US00D900036S

(12) **United States Design Patent** (10) **Patent No.:** **US D900,036 S**
Wuester et al. (45) **Date of Patent:** **** Oct. 27, 2020**

(54) **HEATER ELECTRICAL CONNECTOR AND ADAPTER**

(71) Applicant: **ASM IP Holding B.V.**, Almere (NL)

(72) Inventors: **Christopher Wuester**, Chandler, AZ (US); **Raj Singu**, Phoenix, AZ (US)

(73) Assignee: **ASM IP Holding B.V.**, Almere (NL)

(**) Term: **15 Years**

(21) Appl. No.: **29/615,000**

(22) Filed: **Aug. 24, 2017**

(51) **LOC (12) Cl.** **13-03**

(52) **U.S. Cl.**
USPC **D13/146**; D13/182; D13/151

(58) **Field of Classification Search**
USPC D13/101, 103, 110, 118, 123, 133, D13/145-147, 149, 151, 153, 154, 173, D13/182, 184, 199, 134, 135, 156; D26/1, 2, 24, 40, 113
CPC F21L 4/08; F21V 3/00; F21V 29/00; F21V 29/70; H01J 5/54; H01J 13/46; H01J 61/52; H01R 13/44; H01R 13/52; H01R 13/62; H01R 13/627; H01R 13/64; H01R 13/645; H01R 33/02; H01R 33/22; H01R 33/46

See application file for complete search history.

(56) **References Cited**

U.S. PATENT DOCUMENTS

| | | |
|-------------|---------|-----------------|
| D30,036 S | 1/1899 | Rhind |
| D31,889 S | 11/1899 | Gill |
| D56,051 S | 8/1920 | Cohn |
| 2,059,480 A | 11/1936 | Obermaier |
| 2,161,626 A | 6/1939 | Loughner et al. |
| 2,266,416 A | 12/1941 | Duclos |
| 2,280,778 A | 4/1942 | Anderson |
| D142,841 S | 11/1945 | D'Algodt |

| | | |
|-------------|---------|--------------|
| 2,410,420 A | 11/1946 | Bennett |
| 2,563,931 A | 8/1951 | Harrison |
| 2,660,061 A | 11/1953 | Lewis |
| 2,745,640 A | 5/1956 | Cushman |
| 2,990,045 A | 9/1959 | Root |
| 3,038,951 A | 6/1962 | Mead |
| 3,089,507 A | 5/1963 | Drake et al. |

(Continued)

FOREIGN PATENT DOCUMENTS

| | | |
|----|---------|---------|
| CN | 2588350 | 11/2003 |
| CN | 1563483 | 1/2005 |

(Continued)

OTHER PUBLICATIONS

IPS Water Heater Pan Adapter Kit, dated Nov. 1, 2015, [online], [site visited Dec. 4, 2019]. Available from Internet, URL: <https://es.ipscorp.com/watertite/protectivesystem/whpanadapter> (Year: 2015).*

(Continued)

Primary Examiner — Angela J Lee

Assistant Examiner — Shawn T Gingrich

(74) *Attorney, Agent, or Firm* — Snell & Wilmer L.L.P.

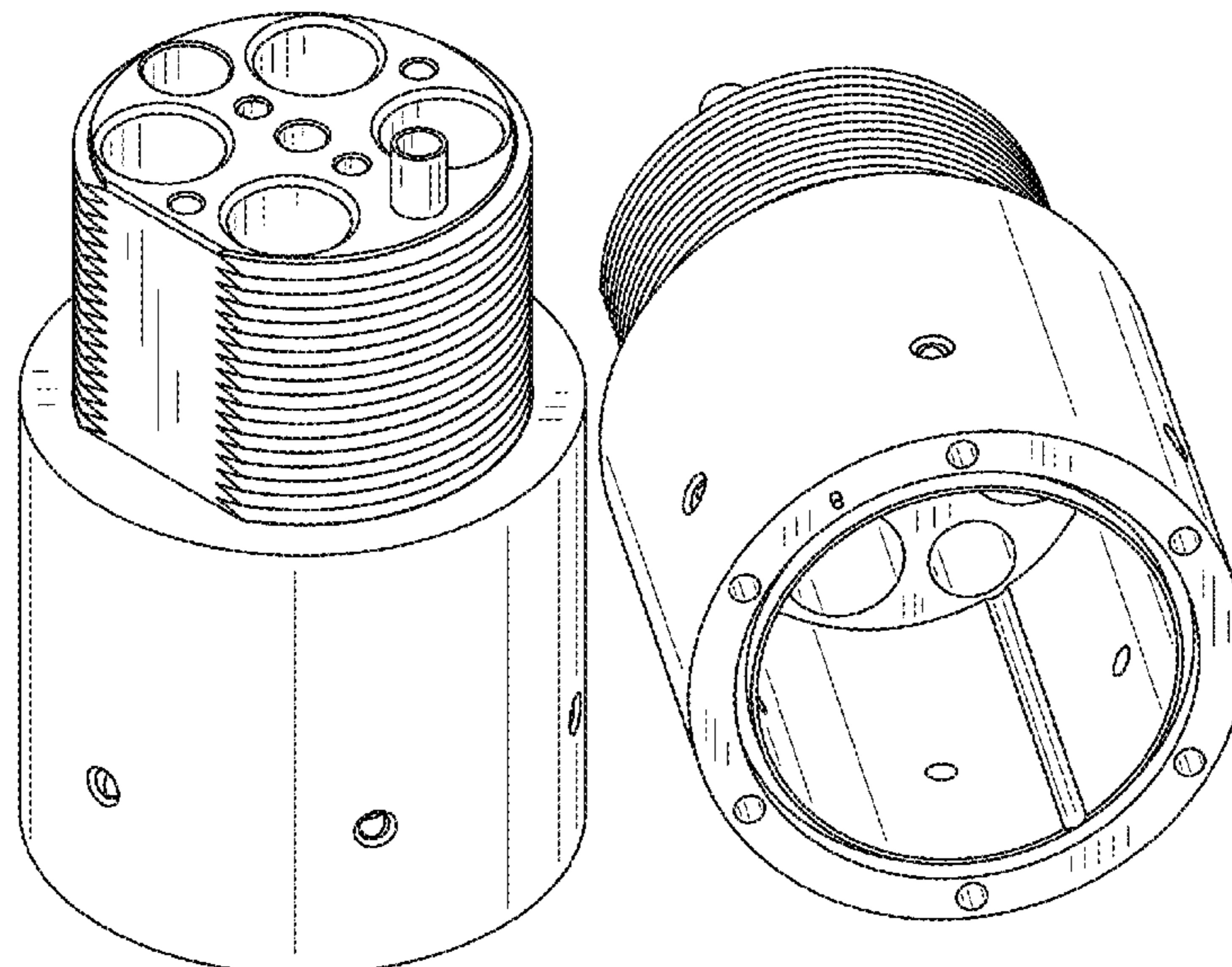
(57) **CLAIM**

The ornamental design for a heater electrical connector and adapter, as shown and described.

DESCRIPTION

FIG. 1 is an isometric view of a heater electrical connector and adapter in accordance with the design; FIG. 2 is a bottom isometric view thereof; FIG. 3 is a front view thereof; FIG. 4 is back view thereof; FIG. 5 is a right side view thereof; FIG. 6 is a left side view thereof; FIG. 7 is a top view thereof; and, FIG. 8 is a bottom view thereof.

1 Claim, 7 Drawing Sheets



(56)

References Cited

U.S. PATENT DOCUMENTS

| | | | | | |
|---------------|---------|--------------------------------------|---------------|---------|------------------------------------|
| 3,094,396 A | 6/1963 | Flugge et al. | 4,722,298 A | 2/1988 | Rubin et al. |
| 3,232,437 A | 2/1966 | Hultgren | 4,724,272 A | 2/1988 | Raniere et al. |
| 3,263,502 A | 8/1966 | Springfield | 4,735,259 A | 4/1988 | Vincent |
| 3,410,349 A | 11/1968 | Troutman | 4,749,416 A | 6/1988 | Greenspan |
| 3,588,192 A | 6/1971 | Drutchas et al. | 4,753,192 A | 6/1988 | Goldsmith et al. |
| 3,647,387 A | 3/1972 | Benson | 4,753,856 A | 6/1988 | Haluska et al. |
| 3,647,716 A | 3/1972 | Koches | 4,756,794 A | 7/1988 | Yoder |
| 3,713,899 A | 1/1973 | Sebestyen | 4,771,015 A | 9/1988 | Kanai |
| 3,718,429 A | 2/1973 | Williamson | 4,780,169 A | 10/1988 | Stark et al. |
| 3,833,492 A | 9/1974 | Bollyky | 4,789,294 A | 12/1988 | Sato et al. |
| 3,854,443 A | 12/1974 | Baerg | 4,821,674 A | 4/1989 | deBoer et al. |
| 3,862,397 A | 1/1975 | Anderson et al. | 4,827,430 A | 5/1989 | Aid et al. |
| 3,867,205 A | 2/1975 | Schley | 4,830,515 A | 5/1989 | Cortes |
| 3,885,504 A | 5/1975 | Baermann | 4,837,113 A | 6/1989 | Luttmer et al. |
| 3,887,790 A | 6/1975 | Ferguson | 4,837,185 A | 6/1989 | Yau et al. |
| 3,904,371 A | 9/1975 | Neti | 4,854,263 A | 8/1989 | Chang et al. |
| 3,913,058 A | 10/1975 | Nishio et al. | 4,854,266 A | 8/1989 | Simson et al. |
| 3,913,617 A | 10/1975 | van Laar | 4,857,137 A | 8/1989 | Tashiro et al. |
| 3,947,685 A | 3/1976 | Meinel | 4,857,382 A | 8/1989 | Sheng et al. |
| 3,953,099 A * | 4/1976 | Wilson H01R 13/50 439/205 | 4,882,199 A | 11/1989 | Sadoway et al. |
| 3,960,559 A | 6/1976 | Suzuki | 4,916,091 A | 4/1990 | Freeman et al. |
| 3,997,638 A | 12/1976 | Manning et al. | 4,934,831 A | 6/1990 | Volbrecht |
| 4,054,071 A | 10/1977 | Patejak | D309,702 S | 8/1990 | Hall |
| 4,058,430 A | 11/1977 | Suntola et al. | 4,949,848 A | 8/1990 | Kos |
| 4,093,491 A | 6/1978 | Whelpton et al. | D311,126 S | 10/1990 | Crowley |
| D249,341 S | 9/1978 | Mertz | 4,960,388 A * | 10/1990 | Frantz H01R 9/031 439/404 |
| 4,123,139 A * | 10/1978 | Sandahl G02B 6/3841 385/64 | 4,976,996 A | 12/1990 | Monkowski et al. |
| 4,126,027 A | 11/1978 | Smith et al. | 4,978,567 A | 12/1990 | Miller |
| 4,134,425 A | 1/1979 | Gussefeld et al. | 4,984,904 A | 1/1991 | Nakano et al. |
| 4,145,699 A | 3/1979 | Hu et al. | 4,985,114 A | 1/1991 | Okudaira |
| 4,164,959 A | 8/1979 | Wurzburger | 4,986,215 A | 1/1991 | Yamada |
| 4,176,630 A | 12/1979 | Elmer | 4,987,856 A | 1/1991 | Hey |
| 4,181,330 A | 1/1980 | Kojima | 4,989,992 A | 2/1991 | Piai |
| 4,194,536 A | 3/1980 | Stine et al. | 4,991,614 A | 2/1991 | Hammel |
| 4,217,463 A | 8/1980 | Swearingen | 5,002,632 A | 3/1991 | Loewenstein et al. |
| 4,229,064 A * | 10/1980 | Vetter H01R 13/6456 439/680 | 5,013,691 A | 5/1991 | Lory et al. |
| 4,234,449 A | 11/1980 | Wolson et al. | 5,027,746 A | 7/1991 | Frijlink |
| 4,322,592 A | 3/1982 | Martin | 5,028,366 A | 7/1991 | Harakal et al. |
| 4,333,735 A | 6/1982 | Hardy | D320,148 S | 9/1991 | Andrews |
| 4,355,912 A | 10/1982 | Haak | 5,053,247 A | 10/1991 | Moore |
| 4,389,973 A | 6/1983 | Suntola et al. | 5,057,436 A | 10/1991 | Ball |
| D269,850 S | 7/1983 | Preisler et al. | 5,060,322 A | 10/1991 | Delepine |
| 4,393,013 A | 7/1983 | McMenamin | 5,061,083 A | 10/1991 | Grimm et al. |
| 4,401,507 A | 8/1983 | Engle | 5,062,386 A | 11/1991 | Christensen |
| 4,414,492 A | 11/1983 | Hanlet | 5,065,698 A | 11/1991 | Koike |
| 4,436,674 A | 3/1984 | McMenamin | 5,069,591 A | 12/1991 | Kinoshita |
| 4,444,990 A | 4/1984 | Villar | 5,071,258 A | 12/1991 | Usher et al. |
| D274,122 S | 6/1984 | Stahel et al. | 5,074,017 A | 12/1991 | Toya et al. |
| 4,454,370 A | 6/1984 | Voznick | 5,082,517 A | 1/1992 | Moslehi |
| 4,455,193 A | 6/1984 | Jeuch et al. | 5,084,126 A | 1/1992 | McKee |
| 4,466,766 A | 8/1984 | Geren et al. | 5,098,638 A | 3/1992 | Sawada |
| 4,479,831 A | 10/1984 | Sadow | 5,098,865 A | 3/1992 | Machado |
| 4,499,354 A | 2/1985 | Hill et al. | 5,104,514 A | 4/1992 | Quartarone |
| 4,512,113 A | 4/1985 | Budinger | 5,108,192 A | 4/1992 | Mailliet et al. |
| 4,527,005 A | 7/1985 | McKelvey et al. | 5,116,018 A | 5/1992 | Friemoth et al. |
| 4,537,001 A | 8/1985 | Uppstrom | D327,534 S | 6/1992 | Manville |
| 4,548,688 A | 10/1985 | Mathews | 5,119,760 A | 6/1992 | McMillan et al. |
| 4,570,328 A | 2/1986 | Price et al. | 5,130,003 A | 7/1992 | Conrad |
| 4,575,636 A | 3/1986 | Caprari | 5,137,286 A | 8/1992 | Whitford |
| 4,578,560 A | 3/1986 | Tanaka et al. | 5,154,301 A | 10/1992 | Kos |
| 4,579,378 A | 4/1986 | Snyders | 5,158,128 A | 10/1992 | Inoue et al. |
| 4,579,623 A | 4/1986 | Suzuki et al. | D330,900 S | 11/1992 | Wakegijig |
| 4,590,326 A | 5/1986 | Woldy | 5,167,716 A | 12/1992 | Boitnott et al. |
| 4,611,966 A | 9/1986 | Johnson | 5,176,451 A | 1/1993 | Sasada |
| 4,620,998 A | 11/1986 | Lalvani | 5,178,682 A | 1/1993 | Tsukamoto et al. |
| D288,556 S | 3/1987 | Wallgren | 5,181,779 A | 1/1993 | Shia et al. |
| 4,653,541 A | 3/1987 | Oehlschlaeger et al. | 5,183,511 A | 2/1993 | Yamazaki et al. |
| 4,654,226 A | 3/1987 | Jackson et al. | 5,192,717 A | 3/1993 | Kawakami |
| 4,664,769 A | 5/1987 | Cuomo et al. | 5,194,401 A | 3/1993 | Adams et al. |
| 4,681,134 A | 7/1987 | Paris | 5,199,603 A | 4/1993 | Prescott |
| 4,718,637 A | 1/1988 | Contin | 5,213,650 A | 5/1993 | Wang et al. |
| 4,721,533 A | 1/1988 | Phillippi et al. | 5,221,556 A | 6/1993 | Hawkins et al. |
| | | | 5,225,366 A | 7/1993 | Yoder et al. |
| | | | 5,226,383 A | 7/1993 | Bhat |
| | | | 5,228,114 A | 7/1993 | Suzuki |
| | | | 5,242,539 A | 9/1993 | Kumihashi et al. |
| | | | 5,243,195 A | 9/1993 | Nishi |
| | | | 5,243,202 A | 9/1993 | Mori et al. |

(56)

References Cited

U.S. PATENT DOCUMENTS

| | | | | | |
|---------------|---------|----------------------|---------------|---------|----------------------|
| 5,246,218 A | 9/1993 | Yap et al. | 5,583,736 A | 12/1996 | Anderson et al. |
| 5,246,500 A | 9/1993 | Samata et al. | 5,586,585 A | 12/1996 | Bonora et al. |
| 5,259,881 A | 11/1993 | Edwards et al. | 5,589,002 A | 12/1996 | Su |
| 5,266,526 A | 11/1993 | Aoyama | 5,589,110 A | 12/1996 | Motoda et al. |
| 5,271,967 A | 12/1993 | Kramer et al. | 5,595,606 A | 1/1997 | Fujikawa et al. |
| 5,273,445 A * | 12/1993 | Ehrenfels | 5,601,641 A | 2/1997 | Stephens |
| | | H01R 13/60 | 5,602,060 A | 2/1997 | Kobayashi et al. |
| | | 439/134 | 5,604,410 A | 2/1997 | Vollkommer et al. |
| 5,273,609 A | 12/1993 | Moslehi | 5,616,264 A | 4/1997 | Nishi et al. |
| 5,278,494 A | 1/1994 | Obigane | 5,616,947 A | 4/1997 | Tamura |
| 5,281,274 A | 1/1994 | Yoder | 5,621,982 A | 4/1997 | Yamashita |
| 5,284,519 A | 2/1994 | Gadgil | 5,632,655 A * | 5/1997 | DeMarco, Jr. |
| 5,288,684 A | 2/1994 | Yamazaki et al. | | | H01R 13/42 |
| 5,294,778 A | 3/1994 | Carman et al. | 5,632,919 A | 5/1997 | 439/598 |
| 5,305,417 A | 4/1994 | Najm et al. | 5,632,919 A | 5/1997 | MacCracken et al. |
| 5,306,666 A | 4/1994 | Izumi | D380,527 S | 7/1997 | Velez |
| 5,306,946 A | 4/1994 | Yamamoto | 5,656,093 A | 8/1997 | Burkhart et al. |
| 5,310,456 A | 5/1994 | Kadomura | 5,663,899 A | 9/1997 | Zvonar et al. |
| 5,314,570 A | 5/1994 | Ikegaya et al. | 5,665,608 A | 9/1997 | Chapple-Sokol et al. |
| 5,315,092 A | 5/1994 | Takahashi et al. | 5,667,592 A | 9/1997 | Boitnott et al. |
| 5,320,218 A | 6/1994 | Yamashita et al. | 5,679,215 A | 10/1997 | Barnes et al. |
| 5,326,427 A | 7/1994 | Jerbic | 5,681,779 A | 10/1997 | Pasch et al. |
| 5,336,327 A | 8/1994 | Lee | D386,076 S | 11/1997 | Moore |
| 5,338,362 A | 8/1994 | Imahashi | 5,683,517 A | 11/1997 | Shan |
| 5,348,774 A | 9/1994 | Golecki et al. | 5,685,912 A | 11/1997 | Nishizaka |
| 5,354,580 A | 10/1994 | Goela et al. | 5,695,567 A | 12/1997 | Kordina |
| 5,356,478 A | 10/1994 | Chen et al. | 5,697,706 A | 12/1997 | Ciaravino et al. |
| 5,356,672 A | 10/1994 | Schmitt et al. | 5,700,729 A | 12/1997 | Lee et al. |
| 5,360,269 A | 11/1994 | Ogawa et al. | 5,708,825 A | 1/1998 | Sotomayor |
| 5,364,667 A | 11/1994 | Rhieu | 5,709,745 A | 1/1998 | Larkin et al. |
| D353,452 S | 12/1994 | Groenhoff | 5,711,811 A | 1/1998 | Suntola et al. |
| 5,374,315 A | 12/1994 | Deboer et al. | 5,716,133 A | 2/1998 | Hosokawa et al. |
| D354,898 S | 1/1995 | Nagy | 5,718,574 A | 2/1998 | Shimazu |
| 5,380,367 A | 1/1995 | Bertone | D392,855 S | 3/1998 | Pillow |
| 5,382,311 A | 1/1995 | Ishikawa et al. | 5,724,748 A | 3/1998 | Brooks |
| 5,388,945 A | 2/1995 | Garric et al. | 5,728,223 A | 3/1998 | Murakarni et al. |
| 5,397,395 A | 3/1995 | Sano et al. | 5,728,425 A | 3/1998 | Ebe et al. |
| 5,404,082 A | 4/1995 | Hernandez et al. | 5,730,801 A | 3/1998 | Tepman et al. |
| 5,407,449 A | 4/1995 | Zinger | 5,730,802 A | 3/1998 | Ishizumi et al. |
| 5,413,813 A | 5/1995 | Cruse et al. | 5,732,744 A | 3/1998 | Barr et al. |
| 5,414,221 A | 5/1995 | Gardner | 5,736,314 A | 4/1998 | Hayes et al. |
| 5,415,753 A | 5/1995 | Hurwitt et al. | 5,753,835 A | 5/1998 | Gustin |
| 5,418,382 A | 5/1995 | Blackwood et al. | 5,761,328 A | 6/1998 | Solberg et al. |
| 5,421,893 A | 6/1995 | Perlov | 5,777,838 A | 7/1998 | Tamagawa et al. |
| 5,422,139 A | 6/1995 | Fischer | 5,779,203 A | 7/1998 | Edlinger |
| 5,423,942 A | 6/1995 | Robbins et al. | 5,781,693 A | 7/1998 | Balance et al. |
| 5,426,137 A | 6/1995 | Allen | 5,782,979 A | 7/1998 | Kaneno |
| 5,430,011 A | 7/1995 | Tanaka et al. | 5,791,782 A | 8/1998 | Wooten et al. |
| 5,431,734 A | 7/1995 | Chapple-Sokol et al. | 5,792,272 A | 8/1998 | Van Os et al. |
| 5,444,217 A | 8/1995 | Moore | 5,796,074 A | 8/1998 | Edelstein et al. |
| 5,447,294 A | 9/1995 | Sakata et al. | 5,801,104 A | 9/1998 | Schuegraf et al. |
| 5,453,124 A | 9/1995 | Moslehi et al. | 5,801,945 A | 9/1998 | Comer |
| D363,464 S | 10/1995 | Fukasawa | 5,806,980 A | 9/1998 | Berrian |
| 5,463,176 A | 10/1995 | Eckert | 5,813,851 A | 9/1998 | Nakao |
| 5,480,818 A | 1/1996 | Matsumoto et al. | 5,819,092 A | 10/1998 | Ferguson et al. |
| 5,482,559 A | 1/1996 | Imai et al. | 5,819,434 A | 10/1998 | Herchen et al. |
| 5,484,484 A | 1/1996 | Yamaga et al. | 5,827,420 A | 10/1998 | Shirazi et al. |
| 5,494,494 A | 2/1996 | Mizuno et al. | 5,827,435 A | 10/1998 | Seiji |
| 5,496,408 A | 3/1996 | Motoda et al. | 5,827,757 A | 10/1998 | Robinson, Jr. et al. |
| 5,501,740 A | 3/1996 | Besen et al. | 5,836,483 A | 11/1998 | Disel |
| 5,503,875 A | 4/1996 | Imai et al. | 5,837,058 A | 11/1998 | Chen et al. |
| 5,504,042 A | 4/1996 | Cho et al. | 5,837,320 A | 11/1998 | Hampden-Smith et al. |
| 5,510,277 A | 4/1996 | Cunningham et al. | 5,844,683 A | 12/1998 | Pavloski et al. |
| 5,514,439 A | 5/1996 | Sibley | 5,846,332 A | 12/1998 | Zhao et al. |
| 5,518,549 A | 5/1996 | Hellwig | 5,851,294 A | 12/1998 | Young et al. |
| 5,523,616 A | 6/1996 | Yasuhide | 5,852,879 A | 12/1998 | Schumaier |
| 5,527,111 A | 6/1996 | Lysen et al. | 5,853,484 A | 12/1998 | Jeong |
| 5,527,417 A | 6/1996 | Iida | D404,370 S | 1/1999 | Kimura |
| 5,531,218 A | 7/1996 | Krebs | D404,372 S | 1/1999 | Ishii |
| 5,531,835 A | 7/1996 | Fodor et al. | 5,855,680 A | 1/1999 | Soininen et al. |
| 5,540,898 A | 7/1996 | Davidson | 5,855,681 A | 1/1999 | Maydan et al. |
| 5,558,717 A | 9/1996 | Zhao et al. | 5,857,777 A | 1/1999 | Schuh |
| 5,559,046 A | 9/1996 | Oishi et al. | 5,863,123 A | 1/1999 | Lee |
| 5,574,247 A | 11/1996 | Nishitani et al. | 5,865,205 A | 2/1999 | Wilmer |
| 5,576,629 A | 11/1996 | Turner | 5,866,795 A | 2/1999 | Wang et al. |
| 5,577,331 A | 11/1996 | Suzuki | 5,873,942 A | 2/1999 | Park |
| | | | 5,877,095 A | 3/1999 | Tamura et al. |
| | | | 5,879,128 A | 3/1999 | Tietz et al. |
| | | | 5,879,459 A | 3/1999 | Gadgil et al. |
| | | | 5,884,640 A | 3/1999 | Fishkin et al. |

(56)

References Cited

U.S. PATENT DOCUMENTS

| | | | | | |
|-------------|---------|--------------------|--------------|---------|-------------------|
| 5,893,741 A | 4/1999 | Huang | 6,124,600 A | 9/2000 | Moroishi et al. |
| D409,894 S | 5/1999 | McClurg | 6,125,789 A | 10/2000 | Gupta et al. |
| 5,904,170 A | 5/1999 | Harvey et al. | 6,126,848 A | 10/2000 | Li et al. |
| D411,516 S | 6/1999 | Imafuku et al. | 6,129,044 A | 10/2000 | Zhao et al. |
| 5,908,672 A | 6/1999 | Ryu | 6,129,546 A | 10/2000 | Sada |
| 5,915,562 A | 6/1999 | Nyseth et al. | 6,134,807 A | 10/2000 | Komino |
| 5,916,365 A | 6/1999 | Sherman | 6,137,240 A | 10/2000 | Bogdan et al. |
| D412,270 S | 7/1999 | Fredrickson | 6,140,252 A | 10/2000 | Cho et al. |
| 5,920,798 A | 7/1999 | Higuchi et al. | 6,143,082 A | 11/2000 | McInerney et al. |
| D412,512 S | 8/1999 | Boisvert | 6,143,659 A | 11/2000 | Leem |
| 5,937,323 A | 8/1999 | Orczyk et al. | 6,148,761 A | 11/2000 | Majewski et al. |
| 5,939,886 A | 8/1999 | Turner et al. | 6,158,941 A | 12/2000 | Muka et al. |
| 5,947,718 A | 9/1999 | Weaver | 6,160,244 A | 12/2000 | Ohashi |
| 5,954,375 A | 9/1999 | Trickle et al. | 6,161,500 A | 12/2000 | Kopacz et al. |
| 5,961,775 A | 10/1999 | Fujimura | 6,162,323 A | 12/2000 | Koshimizu et al. |
| 5,968,275 A | 10/1999 | Lee et al. | 6,174,809 B1 | 1/2001 | Kang et al. |
| 5,970,621 A | 10/1999 | Bazydola | 6,178,918 B1 | 1/2001 | Van Os et al. |
| 5,975,492 A | 11/1999 | Brenes | 6,180,979 B1 | 1/2001 | Hofman et al. |
| 5,979,506 A | 11/1999 | Aarseth | 6,187,672 B1 | 2/2001 | Zhao |
| 5,982,931 A | 11/1999 | Ishimaru | 6,187,691 B1 | 2/2001 | Fukuda |
| 5,984,391 A | 11/1999 | Vanderpot et al. | 6,190,037 B1 | 2/2001 | Das et al. |
| 5,987,480 A | 11/1999 | Donohue et al. | 6,190,457 B1 | 2/2001 | Arai et al. |
| 5,989,342 A | 11/1999 | Ikeda et al. | 6,190,634 B1 | 2/2001 | Lieber et al. |
| 5,992,453 A | 11/1999 | Zimmer | 6,191,399 B1 | 2/2001 | Van Bilsen |
| 5,997,588 A | 12/1999 | Goodwin | 6,194,037 B1 | 2/2001 | Terasaki et al. |
| 5,997,768 A | 12/1999 | Scully | 6,201,999 B1 | 3/2001 | Jevtic |
| 5,998,870 A | 12/1999 | Lee et al. | 6,203,613 B1 | 3/2001 | Gates et al. |
| 6,000,732 A | 12/1999 | Scheler et al. | 6,203,969 B1 | 3/2001 | Ueda |
| 6,001,267 A | 12/1999 | Os et al. | 6,207,932 B1 | 3/2001 | Yoo |
| D419,652 S | 1/2000 | Hall et al. | 6,212,789 B1 | 4/2001 | Kato |
| 6,013,553 A | 1/2000 | Wallace | 6,214,122 B1 | 4/2001 | Thompson |
| 6,013,920 A | 1/2000 | Gordon et al. | 6,217,658 B1 | 4/2001 | Orczyk et al. |
| 6,015,459 A | 1/2000 | Jamison et al. | 6,218,288 B1 | 4/2001 | Li et al. |
| 6,015,465 A | 1/2000 | Kholodenko et al. | 6,225,020 B1 | 5/2001 | Jung et al. |
| 6,017,779 A | 1/2000 | Miyasaka | 6,231,290 B1 | 5/2001 | Kikuchi et al. |
| 6,017,818 A | 1/2000 | Lu | 6,235,858 B1 | 5/2001 | Swarup et al. |
| 6,024,799 A | 2/2000 | Chen | 6,238,734 B1 | 5/2001 | Senzaki et al. |
| 6,035,101 A | 3/2000 | Sajoto et al. | 6,241,822 B1 | 6/2001 | Ide |
| 6,035,804 A | 3/2000 | Arami et al. | 6,242,359 B1 | 6/2001 | Misra |
| 6,042,652 A | 3/2000 | Hyun | 6,243,654 B1 | 6/2001 | Johnson et al. |
| 6,044,860 A | 4/2000 | Nue | 6,245,665 B1 | 6/2001 | Yokoyama |
| 6,045,260 A | 4/2000 | Schwartz et al. | 6,247,245 B1 | 6/2001 | Ishii |
| 6,048,154 A | 4/2000 | Wytman | 6,250,250 B1 | 6/2001 | Maishev et al. |
| 6,050,506 A | 4/2000 | Guo et al. | 6,257,758 B1 | 7/2001 | Culbertson |
| 6,053,982 A | 4/2000 | Halpin et al. | 6,264,467 B1 | 7/2001 | Andreas et al. |
| 6,053,983 A | 4/2000 | Saeki et al. | 6,271,148 B1 | 8/2001 | Kao |
| 6,054,013 A | 4/2000 | Collins et al. | 6,274,878 B1 | 8/2001 | Li et al. |
| 6,054,678 A | 4/2000 | Miyazaki | 6,281,098 B1 | 8/2001 | Wang |
| 6,060,691 A | 5/2000 | Minami et al. | 6,281,141 B1 | 8/2001 | Das et al. |
| 6,060,721 A | 5/2000 | Huang | 6,284,050 B1 | 9/2001 | Shi et al. |
| 6,068,441 A | 5/2000 | Raaijmakers et al. | 6,287,965 B1 | 9/2001 | Kang et al. |
| 6,072,163 A | 6/2000 | Armstrong | 6,287,988 B1 | 9/2001 | Nagamine et al. |
| 6,073,973 A | 6/2000 | Boscaljon et al. | 6,293,700 B1 | 9/2001 | Lund et al. |
| 6,074,154 A | 6/2000 | Ueda et al. | D449,873 S | 10/2001 | Bronson |
| 6,074,443 A | 6/2000 | Venkatesh | 6,296,710 B1 | 10/2001 | Allen et al. |
| 6,079,356 A | 6/2000 | Umotoy et al. | 6,296,909 B1 | 10/2001 | Spitsberg |
| 6,079,927 A | 6/2000 | Muka | 6,299,133 B2 | 10/2001 | Waragai et al. |
| 6,083,321 A | 7/2000 | Lei et al. | 6,302,964 B1 | 10/2001 | Umotoy et al. |
| 6,086,677 A | 7/2000 | Umotoy et al. | 6,303,523 B2 | 10/2001 | Cheung |
| 6,091,062 A | 7/2000 | Pfahnl et al. | 6,305,898 B1 | 10/2001 | Yamagishi et al. |
| 6,093,252 A | 7/2000 | Wengert et al. | 6,311,016 B1 | 10/2001 | Yanagawa et al. |
| 6,093,253 A | 7/2000 | Lofgren | 6,312,525 B1 | 11/2001 | Bright et al. |
| 6,095,083 A | 8/2000 | Rice et al. | 6,315,512 B1 | 11/2001 | Tabrizi et al. |
| 6,096,267 A | 8/2000 | Kishkovich | 6,316,162 B1 | 11/2001 | Jung et al. |
| 6,099,302 A | 8/2000 | Hong et al. | 6,321,680 B2 | 11/2001 | Cook et al. |
| 6,102,565 A | 8/2000 | Kita et al. | D451,893 S | 12/2001 | Robson |
| 6,104,011 A | 8/2000 | Juliano | D452,220 S | 12/2001 | Robson |
| 6,104,401 A | 8/2000 | Parsons | 6,325,858 B1 | 12/2001 | Wengert |
| 6,106,625 A | 8/2000 | Koai et al. | 6,326,322 B1 | 12/2001 | Kim et al. |
| 6,106,678 A | 8/2000 | Shufflebotham | 6,326,597 B1 | 12/2001 | Lubomirsky et al. |
| 6,119,710 A | 9/2000 | Brown | 6,329,297 B1 | 12/2001 | Balish |
| 6,120,008 A | 9/2000 | Littman et al. | 6,335,049 B1 | 1/2002 | Basceri |
| 6,121,061 A | 9/2000 | Van Bilsen et al. | 6,342,427 B1 | 1/2002 | Choi et al. |
| 6,121,158 A | 9/2000 | Benchikha et al. | 6,344,084 B1 | 2/2002 | Koinuma et al. |
| 6,122,036 A | 9/2000 | Yamasaki et al. | 6,344,232 B1 | 2/2002 | Jones et al. |
| | | | 6,346,419 B1 | 2/2002 | Ryerson et al. |
| | | | 6,347,636 B1 | 2/2002 | Xia |
| | | | 6,350,391 B1 | 2/2002 | Livshits et al. |
| | | | 6,352,945 B1 | 3/2002 | Matsuki |

(56)

References Cited

U.S. PATENT DOCUMENTS

| | | | | | |
|--------------|---------|--------------------|--------------|---------|------------------|
| D455,024 S | 4/2002 | Mimick et al. | 6,521,295 B1 | 2/2003 | Remington |
| 6,367,410 B1 | 4/2002 | Leahey et al. | 6,521,547 B1 | 2/2003 | Chang et al. |
| 6,368,773 B1 | 4/2002 | Jung et al. | 6,527,884 B1 | 3/2003 | Takakuwa et al. |
| 6,368,987 B1 | 4/2002 | Kopacz et al. | 6,528,430 B2 | 3/2003 | Kwan |
| 6,370,796 B1 | 4/2002 | Zucker | 6,528,767 B2 | 3/2003 | Bagley et al. |
| 6,372,583 B1 | 4/2002 | Tyagi | 6,531,193 B2 | 3/2003 | Fonash et al. |
| 6,374,831 B1 | 4/2002 | Chandran | 6,531,412 B2 | 3/2003 | Conti et al. |
| 6,375,312 B1 | 4/2002 | Ikeda et al. | 6,534,133 B1 | 3/2003 | Kaloyeros et al. |
| 6,375,750 B1 | 4/2002 | Van Os et al. | 6,534,395 B2 | 3/2003 | Werkhoven et al. |
| 6,379,466 B1 | 4/2002 | Sahin et al. | 6,536,950 B1 | 3/2003 | Green |
| D457,609 S | 5/2002 | Piano | 6,540,469 B2 | 4/2003 | Matsunaga et al. |
| 6,383,566 B1 | 5/2002 | Zagdoun | 6,544,906 B2 | 4/2003 | Rotondaro et al. |
| 6,383,955 B1 | 5/2002 | Matsuki | 6,552,209 B1 | 4/2003 | Lei et al. |
| 6,387,207 B1 | 5/2002 | Janakiraman | 6,558,517 B2 | 5/2003 | Basceri |
| 6,390,754 B2 | 5/2002 | Yamaga et al. | 6,558,755 B2 | 5/2003 | Berry et al. |
| 6,391,803 B1 | 5/2002 | Kim et al. | 6,559,026 B1 | 5/2003 | Rossmann et al. |
| 6,395,650 B1 | 5/2002 | Callegari et al. | 6,565,763 B1 | 5/2003 | Asakawa et al. |
| 6,398,184 B1 | 6/2002 | Sowada et al. | 6,566,278 B1 | 5/2003 | Harvey et al. |
| 6,410,459 B2 | 6/2002 | Blalock et al. | 6,569,239 B2 | 5/2003 | Arai et al. |
| 6,413,321 B1 | 7/2002 | Kim et al. | 6,569,971 B2 | 5/2003 | Roh et al. |
| 6,413,583 B1 | 7/2002 | Moghadam et al. | 6,608,745 B2 | 5/2003 | Tsuruta et al. |
| 6,420,279 B1 | 7/2002 | Ono et al. | 6,573,030 B1 | 6/2003 | Fairbairn et al. |
| 6,423,949 B1 | 7/2002 | Chen et al. | 6,574,644 B2 | 6/2003 | Hsu et al. |
| D461,233 S | 8/2002 | Whalen | 6,576,062 B2 | 6/2003 | Matsuse |
| D461,882 S | 8/2002 | Piano | 6,576,064 B2 | 6/2003 | Griffiths et al. |
| 6,432,849 B1 | 8/2002 | Endo et al. | 6,576,300 B1 | 6/2003 | Berry et al. |
| 6,435,798 B1 | 8/2002 | Satoh | 6,576,564 B2 | 6/2003 | Agarwal |
| 6,435,865 B1 | 8/2002 | Tseng et al. | 6,578,589 B1 | 6/2003 | Mayusumi |
| 6,436,819 B1 | 8/2002 | Zhang | 6,579,833 B1 | 6/2003 | McNallan et al. |
| 6,437,444 B2 | 8/2002 | Andideh | 6,580,050 B1 | 6/2003 | Miller et al. |
| 6,438,502 B1 | 8/2002 | Awtrey | 6,582,174 B1 | 6/2003 | Hayashi |
| 6,439,822 B1 | 8/2002 | Kimura et al. | 6,583,048 B1 | 6/2003 | Vincent et al. |
| 6,441,350 B1 | 8/2002 | Stoddard et al. | 6,589,352 B1 | 7/2003 | Yudovsky et al. |
| 6,445,574 B1 | 9/2002 | Saw et al. | 6,589,707 B2 | 7/2003 | Lee et al. |
| 6,446,573 B2 | 9/2002 | Hirayama et al. | 6,589,868 B2 | 7/2003 | Rossmann |
| 6,447,232 B1 | 9/2002 | Davis et al. | 6,590,251 B2 | 7/2003 | Kang et al. |
| 6,447,651 B1 | 9/2002 | Ishikawa et al. | 6,594,550 B1 | 7/2003 | Okrah |
| 6,448,192 B1 | 9/2002 | Kaushik | 6,596,653 B2 | 7/2003 | Tan |
| 6,450,117 B1 | 9/2002 | Murugesu et al. | 6,598,559 B1 | 7/2003 | Vellore et al. |
| 6,450,757 B1 | 9/2002 | Saeki | 6,607,868 B2 | 8/2003 | Choi |
| 6,451,713 B1 | 9/2002 | Tay et al. | 6,607,948 B1 | 8/2003 | Sugiyama et al. |
| 6,454,860 B2 | 9/2002 | Metzner et al. | 6,620,251 B2 | 9/2003 | Kitano |
| 6,455,098 B2 | 9/2002 | Tran et al. | 6,624,064 B1 | 9/2003 | Sahin |
| 6,455,225 B1 | 9/2002 | Kong et al. | 6,627,268 B1 | 9/2003 | Fair et al. |
| 6,455,445 B2 | 9/2002 | Matsuki | 6,627,503 B2 | 9/2003 | Ma et al. |
| 6,461,435 B1 | 10/2002 | Littau et al. | 6,632,478 B2 | 10/2003 | Gaillard et al. |
| 6,461,436 B1 | 10/2002 | Campbell et al. | 6,633,364 B2 | 10/2003 | Hayashi |
| 6,468,924 B2 | 10/2002 | Lee | 6,635,117 B1 | 10/2003 | Kinnard et al. |
| 6,471,779 B1 | 10/2002 | Nishio et al. | 6,638,839 B2 | 10/2003 | Deng et al. |
| 6,472,266 B1 | 10/2002 | Yu et al. | 6,645,304 B2 | 11/2003 | Yamaguchi |
| 6,475,276 B1 | 11/2002 | Elers et al. | 6,648,974 B1 | 11/2003 | Ogliari et al. |
| 6,475,930 B1 | 11/2002 | Junker et al. | 6,649,921 B1 | 11/2003 | Cekic et al. |
| 6,478,872 B1 | 11/2002 | Chae et al. | 6,652,924 B2 | 11/2003 | Sherman |
| 6,481,945 B1 | 11/2002 | Hasper et al. | 6,656,281 B1 | 12/2003 | Ueda |
| 6,482,331 B2 | 11/2002 | Lu et al. | 6,660,662 B2 | 12/2003 | Ishikawa et al. |
| 6,482,663 B1 | 11/2002 | Buckland | 6,662,817 B2 | 12/2003 | Yamagishi |
| 6,483,989 B1 | 11/2002 | Okada et al. | 6,673,196 B1 | 1/2004 | Oyabu |
| 6,492,625 B1 | 12/2002 | Boguslajski et al. | 6,676,290 B1 | 1/2004 | Lu |
| 6,494,065 B2 | 12/2002 | Babbitt | 6,682,971 B2 | 1/2004 | Tsuneda et al. |
| 6,494,998 B1 | 12/2002 | Brcka | 6,682,973 B1 | 1/2004 | Paton et al. |
| 6,496,819 B1 | 12/2002 | Bello et al. | D486,891 S | 2/2004 | Cronce |
| 6,497,734 B1 | 12/2002 | Barber et al. | 6,684,659 B1 | 2/2004 | Tanaka et al. |
| 6,498,091 B1 | 12/2002 | Chen et al. | 6,688,784 B1 | 2/2004 | Templeton |
| 6,499,533 B2 | 12/2002 | Yamada | 6,689,220 B1 | 2/2004 | Nguyen |
| 6,502,530 B1 | 1/2003 | Turlot et al. | 6,692,575 B1 | 2/2004 | Omstead et al. |
| 6,503,079 B2 | 1/2003 | Kogano et al. | 6,692,576 B2 | 2/2004 | Halpin et al. |
| 6,503,365 B1 | 1/2003 | Kim et al. | 6,696,367 B1 | 2/2004 | Aggarwal |
| 6,503,562 B1 | 1/2003 | Saito et al. | 6,699,003 B2 | 3/2004 | Saeki |
| 6,503,826 B1 | 1/2003 | Oda | 6,699,399 B1 | 3/2004 | Qian et al. |
| 6,506,009 B1 | 1/2003 | Nulman et al. | 6,709,989 B2 | 3/2004 | Ramdani et al. |
| 6,506,253 B2 | 1/2003 | Sakuma | 6,710,364 B2 | 3/2004 | Guldi et al. |
| 6,507,410 B1 | 1/2003 | Robertson et al. | 6,710,857 B2 | 3/2004 | Kondo |
| 6,511,539 B1 | 1/2003 | Raaijmakers | 6,713,824 B1 | 3/2004 | Mikata |
| 6,514,313 B1 | 2/2003 | Spiegelman | 6,716,571 B2 | 4/2004 | Gabriel |
| 6,514,666 B1 | 2/2003 | Choi et al. | 6,720,260 B1 | 4/2004 | Fair et al. |
| | | | 6,722,837 B2 | 4/2004 | Inui |
| | | | 6,723,642 B1 | 4/2004 | Lim et al. |
| | | | 6,730,614 B1 | 5/2004 | Lim et al. |
| | | | 6,732,006 B2 | 5/2004 | Haanstra et al. |

(56)

References Cited

U.S. PATENT DOCUMENTS

| | | | | | |
|--------------|---------|--------------------------|--------------|---------|----------------------|
| 6,734,090 B2 | 5/2004 | Agarwala et al. | 6,949,204 B1 | 9/2005 | Lenz et al. |
| 6,740,853 B1 | 5/2004 | Kitayama et al. | 6,951,587 B1 | 10/2005 | Narushima |
| 6,743,475 B2 | 6/2004 | Skarp et al. | 6,953,609 B2 | 10/2005 | Carollo |
| 6,743,738 B2 | 6/2004 | Todd et al. | 6,955,836 B2 | 10/2005 | Kumagai et al. |
| 6,745,095 B1 | 6/2004 | Ben-Dov | 6,963,052 B2 | 11/2005 | Kuibira et al. |
| 6,746,308 B1 | 6/2004 | Bode et al. | 6,972,055 B2 | 12/2005 | Sferlazzo |
| 6,753,507 B2 | 6/2004 | Fure et al. | 6,972,478 B1 | 12/2005 | Waite et al. |
| 6,755,221 B2 | 6/2004 | Jeong et al. | 6,974,781 B2 | 12/2005 | Timmermans et al. |
| 6,756,085 B2 | 6/2004 | Waldfried | 6,975,921 B2 | 12/2005 | Verhaar |
| 6,756,293 B2 | 6/2004 | Li et al. | 6,976,822 B2 | 12/2005 | Woodruff |
| 6,756,318 B2 | 6/2004 | Nguyen et al. | 6,981,832 B2 | 1/2006 | Zinger et al. |
| 6,759,098 B2 | 7/2004 | Han | 6,982,046 B2 | 1/2006 | Srivastava et al. |
| 6,760,981 B2 | 7/2004 | Leap | 6,982,103 B2 | 1/2006 | Basceri et al. |
| D494,552 S | 8/2004 | Tezuka et al. | 6,984,591 B1 | 1/2006 | Buchanan et al. |
| 6,784,108 B1 | 8/2004 | Donohoe et al. | 6,984,595 B1 | 1/2006 | Yamazaki |
| D496,008 S | 9/2004 | Takahashi et al. | 6,985,788 B2 | 1/2006 | Haanstra et al. |
| D497,977 S | 11/2004 | Engelbrektsson | 6,987,155 B2 | 1/2006 | Roh et al. |
| 6,811,960 B2 | 11/2004 | Lee et al. | 6,990,430 B2 | 1/2006 | Hosek |
| 6,812,157 B1 | 11/2004 | Gadgil | 7,005,227 B2 | 2/2006 | Yueh et al. |
| 6,815,350 B2 | 11/2004 | Kim et al. | 7,005,391 B2 | 2/2006 | Min |
| 6,815,352 B1 | 11/2004 | Tamura et al. | 7,010,580 B1 | 3/2006 | Fu et al. |
| 6,820,570 B2 | 11/2004 | Kilpela et al. | 7,017,514 B1 | 3/2006 | Shepherd |
| 6,821,910 B2 | 11/2004 | Adomaitis et al. | 7,018,941 B2 | 3/2006 | Cui et al. |
| 6,824,665 B2 | 11/2004 | Shelnut et al. | 7,021,881 B2 | 4/2006 | Yamagishi |
| 6,825,134 B2 | 11/2004 | Law et al. | 7,036,453 B2 | 5/2006 | Ishikawa et al. |
| D499,620 S | 12/2004 | Horner-Richardson et al. | 7,041,609 B2 | 5/2006 | Vaartstra |
| 6,828,235 B2 | 12/2004 | Takano | 7,045,430 B2 | 5/2006 | Ahn et al. |
| 6,831,004 B2 | 12/2004 | Byun | 7,049,226 B2 | 5/2006 | Chung et al. |
| 6,835,039 B2 | 12/2004 | Van Den Berg | 7,049,247 B2 | 5/2006 | Gates et al. |
| 6,838,122 B2 | 1/2005 | Basceri et al. | 7,052,584 B2 | 5/2006 | Basceri |
| 6,841,201 B2 | 1/2005 | Shanov et al. | 7,053,009 B2 | 5/2006 | Conley, Jr. et al. |
| 6,846,146 B2 | 1/2005 | Inui | 7,055,875 B2 | 6/2006 | Bonora |
| 6,846,515 B2 | 1/2005 | Vrtis | 7,062,161 B2 | 6/2006 | Kusuda et al. |
| 6,846,742 B2 | 1/2005 | Rossmann | 7,070,178 B2 | 7/2006 | Van Der Toorn et al. |
| 6,847,014 B1 | 1/2005 | Benjamin et al. | 7,071,051 B1 | 7/2006 | Jeon et al. |
| 6,858,524 B2 | 2/2005 | Haukka et al. | 7,073,834 B2 | 7/2006 | Matsumoto et al. |
| 6,858,547 B2 | 2/2005 | Metzner | 7,080,545 B2 | 7/2006 | Dimeo et al. |
| 6,861,642 B2 | 3/2005 | Ichiki et al. | 7,084,060 B1 | 8/2006 | Furukawa |
| 6,863,019 B2 | 3/2005 | Shamouilian | 7,084,079 B2 | 8/2006 | Conti et al. |
| 6,863,281 B2 | 3/2005 | Endou et al. | 7,085,623 B2 | 8/2006 | Siegers |
| 6,864,041 B2 | 3/2005 | Brown | 7,088,003 B2 | 8/2006 | Gates et al. |
| 6,867,859 B1 | 3/2005 | Powell | 7,090,394 B2 | 8/2006 | Hashikura et al. |
| 6,872,258 B2 | 3/2005 | Park et al. | 7,092,287 B2 | 8/2006 | Beulens et al. |
| 6,872,259 B2 | 3/2005 | Strang | 7,098,149 B2 | 8/2006 | Lukas |
| D504,142 S | 4/2005 | Horner-Richardson et al. | 7,101,763 B1 | 9/2006 | Anderson et al. |
| 6,874,247 B1 | 4/2005 | Hsu | 7,109,098 B1 | 9/2006 | Ramaswamy et al. |
| 6,874,480 B1 | 4/2005 | Ismailov | 7,109,114 B2 | 9/2006 | Chen et al. |
| 6,875,677 B1 | 4/2005 | Conley, Jr. et al. | 7,111,232 B1 | 9/2006 | Bascom |
| 6,876,017 B2 | 4/2005 | Goodner | 7,115,305 B2 | 10/2006 | Bronikowski et al. |
| 6,876,191 B2 | 4/2005 | de Ridder | 7,115,838 B2 | 10/2006 | Kurara et al. |
| 6,878,206 B2 | 4/2005 | Tzu et al. | 7,122,085 B2 | 10/2006 | Shero et al. |
| 6,878,402 B2 | 4/2005 | Chiang et al. | 7,122,222 B2 | 10/2006 | Xiao et al. |
| 6,883,733 B1 | 4/2005 | Lind | 7,129,165 B2 | 10/2006 | Basol et al. |
| 6,884,066 B2 | 4/2005 | Nguyen et al. | 7,132,360 B2 | 11/2006 | Schaeffer et al. |
| 6,884,295 B2 | 4/2005 | Ishii | 7,135,421 B2 | 11/2006 | Ahn et al. |
| 6,884,319 B2 | 4/2005 | Kim | 7,143,897 B1 | 12/2006 | Guzman et al. |
| 6,884,475 B2 | 4/2005 | Basceri | 7,144,809 B2 | 12/2006 | Elers et al. |
| D505,590 S | 5/2005 | Greiner | 7,147,766 B2 | 12/2006 | Uzoh et al. |
| 6,889,211 B1 | 5/2005 | Yoshiura et al. | 7,153,542 B2 | 12/2006 | Nguyen et al. |
| 6,889,864 B2 | 5/2005 | Linclfors et al. | 7,156,380 B2 | 1/2007 | Soininen |
| 6,895,158 B2 | 5/2005 | Alyward et al. | 7,163,393 B2 | 1/2007 | Adachi et al. |
| 6,899,507 B2 | 5/2005 | Yamagishi et al. | 7,163,721 B2 | 1/2007 | Zhang et al. |
| 6,909,839 B2 | 6/2005 | Wang et al. | 7,163,900 B2 | 1/2007 | Weber |
| 6,911,092 B2 | 6/2005 | Sneh | 7,168,852 B2 | 1/2007 | Linnarsson |
| 6,913,152 B2 | 7/2005 | Zuk | 7,172,497 B2 | 2/2007 | Basol et al. |
| 6,913,796 B2 | 7/2005 | Albano et al. | 7,186,648 B1 | 3/2007 | Rozbicki |
| 6,916,398 B2 | 7/2005 | Chen et al. | 7,192,824 B2 | 3/2007 | Ahn et al. |
| 6,917,755 B2 | 7/2005 | Nguyen et al. | 7,192,892 B2 | 3/2007 | Ahn et al. |
| 6,924,078 B2 | 8/2005 | Lee et al. | 7,195,693 B2 | 3/2007 | Cowans |
| 6,929,700 B2 | 8/2005 | Tan et al. | D541,125 S | 4/2007 | Gaudron |
| 6,930,041 B2 | 8/2005 | Agarwal | 7,198,447 B2 | 4/2007 | Morimitsu et al. |
| 6,930,059 B2 | 8/2005 | Conley, Jr. et al. | 7,201,943 B2 | 4/2007 | Park et al. |
| 6,935,269 B2 | 8/2005 | Lee et al. | 7,202,512 B2 | 4/2007 | Chen et al. |
| 6,939,817 B2 | 9/2005 | Sandhu et al. | 7,204,886 B2 | 4/2007 | Chen et al. |
| 6,942,753 B2 | 9/2005 | Choi et al. | 7,204,887 B2 | 4/2007 | Kawamura et al. |
| | | | 7,205,246 B2 | 4/2007 | MacNeil et al. |
| | | | 7,205,247 B2 | 4/2007 | Lee et al. |
| | | | 7,207,763 B2 | 4/2007 | Lee |
| | | | 7,208,198 B2 | 4/2007 | Basceri et al. |

(56)

References Cited

U.S. PATENT DOCUMENTS

| | | | | | |
|--------------|---------|---------------------------|--------------|---------|----------------------|
| 7,208,389 B1 | 4/2007 | Tipton et al. | 7,431,966 B2 | 10/2008 | Derderian et al. |
| 7,210,925 B2 | 5/2007 | Adachi | 7,432,476 B2 | 10/2008 | Morita et al. |
| 7,211,524 B2 | 5/2007 | Ryu et al. | 7,437,060 B2 | 10/2008 | Wang et al. |
| 7,211,525 B1 | 5/2007 | Shanker | 7,442,275 B2 | 10/2008 | Cowans |
| 7,214,630 B1 | 5/2007 | Varadarajan et al. | 7,456,429 B2 | 11/2008 | Levy |
| 7,217,617 B2 | 5/2007 | Basceri | D583,395 S | 12/2008 | Ueda |
| 7,223,014 B2 | 5/2007 | Lojen | 7,467,632 B2 | 12/2008 | Lee et al. |
| 7,208,413 B2 | 6/2007 | Byun et al. | 7,475,588 B2 | 1/2009 | Dimeo et al. |
| 7,234,476 B2 | 6/2007 | Arai | 7,476,291 B2 | 1/2009 | Wang et al. |
| 7,235,137 B2 | 6/2007 | Kitayama et al. | 7,479,198 B2 | 1/2009 | Guffrey |
| 7,235,482 B2 | 6/2007 | Wu | 7,482,247 B1 | 1/2009 | Papasouliotis |
| 7,235,501 B2 | 6/2007 | Ahn et al. | 7,482,283 B2 | 1/2009 | Yamasaki et al. |
| D547,724 S * | 7/2007 | Ciancanelli D13/134 | D585,968 S | 2/2009 | Elkins et al. |
| 7,238,596 B2 | 7/2007 | Kouvetakis et al. | 7,489,389 B2 | 2/2009 | Shibazaki et al. |
| 7,238,616 B2 | 7/2007 | Agarwal | 7,494,882 B2 | 2/2009 | Vitale |
| 7,238,653 B2 | 7/2007 | Lee et al. | 7,497,614 B2 | 3/2009 | Gaff |
| 7,265,061 B1 | 9/2007 | Cho et al. | 7,498,242 B2 | 3/2009 | Kumar et al. |
| 7,274,867 B2 | 9/2007 | Peukert | 7,501,292 B2 | 3/2009 | Matsushita et al. |
| D553,104 S | 10/2007 | Oohashi et al. | 7,501,355 B2 | 3/2009 | Bhatia et al. |
| 7,279,256 B2 | 10/2007 | Son | 7,503,980 B2 | 3/2009 | Kida et al. |
| 7,290,813 B2 | 11/2007 | Bonora | 7,504,344 B2 | 3/2009 | Matsuki et al. |
| 7,294,581 B2 | 11/2007 | Haverkort et al. | D590,933 S | 4/2009 | Vansell |
| 7,296,460 B2 | 11/2007 | Dimeo et al. | 7,514,375 B1 | 4/2009 | Shanker et al. |
| 7,297,641 B2 | 11/2007 | Todd et al. | 7,541,297 B2 | 4/2009 | Mallick et al. |
| 7,298,009 B2 | 11/2007 | Yan et al. | D593,585 S | 6/2009 | Ota et al. |
| D556,704 S | 12/2007 | Nakamura et al. | D593,969 S | 6/2009 | Li |
| D557,226 S | 12/2007 | Uchino et al. | 7,544,398 B1 | 6/2009 | Chang et al. |
| D558,021 S | 12/2007 | Lawrence | 7,547,363 B2 | 6/2009 | Tomiyasu et al. |
| 7,307,028 B2 | 12/2007 | Goto et al. | 7,547,633 B2 | 6/2009 | Ranish et al. |
| 7,307,178 B2 | 12/2007 | Kiyomori et al. | 7,550,396 B2 | 6/2009 | Frohberg et al. |
| 7,312,148 B2 | 12/2007 | Ramaswamy et al. | 7,561,982 B2 | 7/2009 | Ruud et al. |
| 7,312,162 B2 | 12/2007 | Ramaswamy et al. | 7,563,715 B2 | 7/2009 | Haukka et al. |
| 7,312,494 B2 | 12/2007 | Ahn et al. | 7,566,891 B2 | 7/2009 | Rocha-Alvarez et al. |
| D559,993 S | 1/2008 | Nagakubo et al. | 7,575,968 B2 | 8/2009 | Sadaka et al. |
| D559,994 S | 1/2008 | Nagakubo et al. | 7,579,285 B2 | 8/2009 | Zimmerman et al. |
| 7,320,544 B2 | 1/2008 | Hsieh | 7,579,785 B2 | 8/2009 | DeVincentis et al. |
| 7,323,401 B2 | 1/2008 | Ramaswamy et al. | D600,223 S | 9/2009 | Aggarwal |
| 7,326,656 B2 | 2/2008 | Brask et al. | 7,582,555 B1 | 9/2009 | Lang |
| 7,326,657 B2 | 2/2008 | Xia et al. | 7,582,575 B2 | 9/2009 | Fukazawa et al. |
| 7,327,948 B1 | 2/2008 | Shrinivasan | 7,589,003 B2 | 9/2009 | Kouvetakis et al. |
| 7,329,947 B2 | 2/2008 | Adachi et al. | 7,589,029 B2 | 9/2009 | Derderian et al. |
| 7,335,611 B2 | 2/2008 | Ramaswamy et al. | 7,591,601 B2 | 9/2009 | Matsuoka et al. |
| 7,351,057 B2 | 4/2008 | Berenbak et al. | D602,575 S | 10/2009 | Breda |
| 7,354,847 B2 | 4/2008 | Chan et al. | 7,598,513 B2 | 10/2009 | Kouvetakis et al. |
| 7,354,873 B2 | 4/2008 | Fukazawa et al. | 7,601,223 B2 | 10/2009 | Linclfors et al. |
| 7,356,762 B2 | 4/2008 | van Driel | 7,601,225 B2 | 10/2009 | Tuominen et al. |
| 7,357,138 B2 | 4/2008 | Ji et al. | 7,601,652 B2 | 10/2009 | Singh et al. |
| 7,361,447 B2 | 4/2008 | Jung | 7,611,751 B2 | 11/2009 | Elers |
| 7,376,520 B2 | 5/2008 | Wong | 7,611,980 B2 | 11/2009 | Wells et al. |
| 7,379,785 B2 | 5/2008 | Higashi et al. | 7,618,226 B2 | 11/2009 | Takizawa |
| D571,383 S | 6/2008 | Ota et al. | 7,621,672 B2 | 11/2009 | Ripley |
| D571,831 S | 6/2008 | Ota et al. | 7,622,369 B1 | 11/2009 | Lee et al. |
| 7,381,644 B1 | 6/2008 | Soubramonium et al. | 7,622,378 B2 | 11/2009 | Liu et al. |
| 7,387,685 B2 | 6/2008 | Choi et al. | 7,623,940 B2 | 11/2009 | Huskamp et al. |
| 7,393,207 B2 | 7/2008 | Imai | D606,952 S | 12/2009 | Lee |
| 7,393,418 B2 | 7/2008 | Yokogawa | 7,625,820 B1 | 12/2009 | Papasouliotis |
| 7,393,736 B2 | 7/2008 | Ahn et al. | 7,629,277 B2 | 12/2009 | Ghatnagar |
| 7,393,765 B2 | 7/2008 | Hanawa et al. | 7,632,549 B2 | 12/2009 | Goundar |
| 7,396,491 B2 | 7/2008 | Marking et al. | 7,640,142 B2 | 12/2009 | Tachikawa et al. |
| 7,399,388 B2 | 7/2008 | Moghadam et al. | 7,645,341 B2 | 1/2010 | Kennedy et al. |
| 7,399,570 B2 | 7/2008 | Lee et al. | 7,645,484 B2 | 1/2010 | Ishizaka |
| 7,402,534 B2 | 7/2008 | Mahajani | 7,648,927 B2 | 1/2010 | Singh et al. |
| 7,405,166 B2 | 7/2008 | Liang et al. | 7,651,269 B2 | 1/2010 | Comendant |
| 7,405,454 B2 | 7/2008 | Ahn et al. | 7,651,583 B2 | 1/2010 | Kent et al. |
| D575,713 S | 8/2008 | Ratcliffe | 7,651,955 B2 | 1/2010 | Ranish et al. |
| 7,410,290 B2 | 8/2008 | Tanaka | 7,651,959 B2 | 1/2010 | Fukazawa et al. |
| 7,410,666 B2 | 8/2008 | Elers | 7,651,961 B2 | 1/2010 | Clark |
| 7,411,352 B2 | 8/2008 | Madocks | D609,652 S | 2/2010 | Munetoshi |
| 7,414,281 B1 | 8/2008 | Fastow | D609,655 S | 2/2010 | Sugimoto |
| D576,001 S | 9/2008 | Brunderman | 7,661,299 B2 | 2/2010 | Kusunoki |
| 7,422,635 B2 | 9/2008 | Zheng et al. | 7,678,197 B2 | 3/2010 | Maki |
| 7,422,636 B2 | 9/2008 | Ishizaka | 7,678,715 B2 | 3/2010 | Mungekar et al. |
| 7,422,653 B2 | 9/2008 | Blahnik et al. | 7,682,454 B2 | 3/2010 | Sneh |
| 7,422,775 B2 | 9/2008 | Ramaswamy et al. | 7,682,657 B2 | 3/2010 | Sherman |
| 7,429,532 B2 | 9/2008 | Ramaswamy et al. | D613,829 S | 4/2010 | Griffin et al. |
| | | | D614,153 S | 4/2010 | Fondurulia et al. |
| | | | D614,267 S | 4/2010 | Breda |
| | | | D614,268 S | 4/2010 | Breda |
| | | | D614,593 S | 4/2010 | Lee |

(56)

References Cited

U.S. PATENT DOCUMENTS

| | | | | | |
|--------------|---------|-------------------------|----------------|---------|-----------------------------------|
| 7,690,881 B2 | 4/2010 | Yamagishi | 7,942,969 B2 | 5/2011 | Riker et al. |
| 7,691,205 B2 | 4/2010 | Ikedo | 7,946,762 B2 | 5/2011 | Yednak |
| 7,692,171 B2 | 4/2010 | Kaszuba et al. | 7,951,262 B2 | 5/2011 | Koshiishi et al. |
| 7,695,808 B2 | 4/2010 | Tuma | 7,955,516 B2 | 6/2011 | Chandrachood |
| D616,394 S | 5/2010 | Sato | 7,955,650 B2 | 6/2011 | Tsuji |
| 7,712,435 B2 | 5/2010 | Yoshizaki et al. | 7,957,708 B2 | 6/2011 | Karschnia et al. |
| 7,713,874 B2 | 5/2010 | Milligan | 7,963,736 B2 | 6/2011 | Takizawa et al. |
| 7,716,993 B2 | 5/2010 | Ozawa et al. | 7,967,913 B2 | 6/2011 | Hua et al. |
| 7,720,560 B2 | 5/2010 | Menser et al. | 7,972,980 B2 | 7/2011 | Lee et al. |
| 7,723,648 B2 | 5/2010 | Tsukamoto et al. | 7,977,256 B2 | 7/2011 | Liu et al. |
| 7,727,864 B2 | 6/2010 | Elers | 7,981,751 B2 | 7/2011 | Zhu et al. |
| 7,732,343 B2 | 6/2010 | Niroomand et al. | D643,055 S | 8/2011 | Takahashi |
| 7,736,437 B2 | 6/2010 | Cadwell et al. | 7,989,736 B2 | 8/2011 | Park et al. |
| 7,736,528 B2 | 6/2010 | Okita et al. | 7,992,318 B2 | 8/2011 | Kawaji |
| 7,740,437 B2 | 6/2010 | de Ridder et al. | 7,994,070 B1 | 8/2011 | Dip et al. |
| 7,740,705 B2 | 6/2010 | Li | 7,994,721 B2 | 8/2011 | Espiau et al. |
| 7,745,346 B2 | 6/2010 | Hausmann et al. | 7,997,795 B2 | 8/2011 | Schwagerman et al. |
| 7,748,760 B2 | 7/2010 | Kushida | 7,998,875 B2 | 8/2011 | DeYoung |
| 7,749,563 B2 | 7/2010 | Zheng et al. | 8,003,174 B2 | 8/2011 | Fukazawa |
| 7,753,584 B2 | 7/2010 | Gambino et al. | 8,003,919 B2 | 8/2011 | Goto et al. |
| 7,754,621 B2 | 7/2010 | Putjkonen | 8,004,198 B2 | 8/2011 | Bakre et al. |
| 7,758,698 B2 | 7/2010 | Bang et al. | 8,020,315 B2 | 9/2011 | Nishimura |
| 7,763,869 B2 | 7/2010 | Matsushita et al. | 8,030,129 B2 | 10/2011 | Jeong |
| 7,767,262 B2 | 8/2010 | Clark | 8,033,771 B1 | 10/2011 | Gage et al. |
| 7,771,796 B2 | 8/2010 | Kohno et al. | 8,038,835 B2 | 10/2011 | Hayashi et al. |
| 7,780,440 B2 | 8/2010 | Shibagaki et al. | 8,041,197 B2 | 10/2011 | Kasai et al. |
| 7,780,789 B2 | 8/2010 | Wu et al. | 8,041,450 B2 | 10/2011 | Takizawa et al. |
| 7,781,352 B2 | 8/2010 | Fukazawa et al. | 8,043,972 B1 | 10/2011 | Liu et al. |
| 7,789,559 B2 | 9/2010 | Waser et al. | 8,046,193 B2 | 10/2011 | Yetter et al. |
| 7,789,965 B2 | 9/2010 | Matsushita et al. | 8,048,783 B2 | 11/2011 | Chung et al. |
| 7,790,633 B1 | 9/2010 | Tarafdar et al. | 8,055,378 B2 | 11/2011 | Numakura |
| 7,798,096 B2 | 9/2010 | Mahajani et al. | 8,060,252 B2 | 11/2011 | Gage et al. |
| 7,799,706 B2 | 9/2010 | Yeom et al. | 8,083,853 B2 | 11/2011 | Choi et al. |
| 7,803,722 B2 | 9/2010 | Liang | RE43,023 E | 12/2011 | Nakashima et al. |
| D625,977 S | 10/2010 | Watson et al. | D649,986 S | 12/2011 | Fujikata et al. |
| 7,795,160 B2 | 10/2010 | Wang et al. | D651,291 S | 12/2011 | Liebson et al. |
| 7,806,587 B2 | 10/2010 | Kobayashi | 8,071,451 B2 | 12/2011 | Uzoh |
| 7,807,566 B2 | 10/2010 | Tsuji et al. | 8,071,452 B2 | 12/2011 | Raisanen |
| 7,807,578 B2 | 10/2010 | Bencher et al. | 8,072,578 B2 | 12/2011 | Yasuda et al. |
| 7,816,278 B2 | 10/2010 | Reed et al. | 8,076,230 B2 | 12/2011 | Wei |
| 7,824,492 B2 | 11/2010 | Tois et al. | 8,076,237 B2 | 12/2011 | Uzoh |
| 7,825,040 B1 | 11/2010 | Fukazawa et al. | 8,076,250 B1 | 12/2011 | Rajagopalan |
| 7,829,460 B2 | 11/2010 | Streck et al. | 8,076,251 B2 | 12/2011 | Akae et al. |
| 7,833,348 B2 | 11/2010 | Wada et al. | 8,078,310 B2 | 12/2011 | Nishimoto et al. |
| 7,833,353 B2 | 11/2010 | Furukawahara et al. | 8,082,946 B2 | 12/2011 | Laverdiere et al. |
| 7,838,084 B2 | 11/2010 | Derderian et al. | 8,084,104 B2 | 12/2011 | Shinriki et al. |
| 7,842,518 B2 | 11/2010 | Miyajima | 8,084,372 B2 | 12/2011 | You et al. |
| 7,842,622 B1 | 11/2010 | Lee et al. | D652,896 S | 1/2012 | Gether |
| D629,874 S | 12/2010 | Hermans | 8,092,604 B2 | 1/2012 | Tomiyasu et al. |
| 7,850,449 B2 | 12/2010 | Yang et al. | 8,100,583 B2 | 1/2012 | Aggarwal |
| 7,851,019 B2 | 12/2010 | Tuominen et al. | D653,734 S | 2/2012 | Sisk |
| 7,851,232 B2 | 12/2010 | van Schravendijk et al. | D654,882 S | 2/2012 | Honma et al. |
| 7,858,519 B2 | 12/2010 | Liu et al. | D654,884 S | 2/2012 | Honma |
| 7,858,533 B2 | 12/2010 | Liu et al. | D655,055 S | 2/2012 | Toll |
| 7,865,070 B2 | 1/2011 | Nakamura | 8,110,099 B2 | 2/2012 | Hersey et al. |
| 7,871,198 B2 | 1/2011 | Rempe et al. | 8,114,734 B2 | 2/2012 | Yang et al. |
| 7,874,726 B2 | 1/2011 | Jacobs et al. | 8,119,466 B2 | 2/2012 | Avouris |
| 7,884,918 B2 | 2/2011 | Hattori | D655,260 S | 3/2012 | Honma et al. |
| 7,888,233 B1 | 2/2011 | Gauri | D655,261 S | 3/2012 | Honma et al. |
| 7,894,474 B1 | 2/2011 | Bell | 8,129,290 B2 | 3/2012 | Balseanu et al. |
| D634,329 S | 3/2011 | Wastrom | 8,137,462 B2 | 3/2012 | Fondurulia et al. |
| D634,719 S | 3/2011 | Yasuda et al. | 8,137,465 B1 | 3/2012 | Shrinivasan et al. |
| 7,897,215 B1 | 3/2011 | Fair et al. | 8,138,104 B2 | 3/2012 | Balseanu et al. |
| 7,897,217 B2 | 3/2011 | Faguet | 8,138,676 B2 | 3/2012 | Mills |
| 7,902,009 B2 | 3/2011 | Simonelli et al. | 8,142,862 B2 | 3/2012 | Lee et al. |
| 7,902,582 B2 | 3/2011 | Forbes et al. | 8,143,174 B2 | 3/2012 | Xia et al. |
| 7,906,174 B1 | 3/2011 | Wu et al. | 8,147,242 B2 | 4/2012 | Shibagaki et al. |
| 7,910,288 B2 | 3/2011 | Abatchev et al. | 8,158,512 B2 | 4/2012 | Ji et al. |
| 7,915,139 B1 | 3/2011 | Lang | 8,172,947 B2 | 5/2012 | Shibata et al. |
| 7,915,667 B2 | 3/2011 | Knoefler et al. | 8,173,554 B2 | 5/2012 | Lee et al. |
| 7,919,142 B2 | 4/2011 | Yeom et al. | 8,178,436 B2 | 5/2012 | King et al. |
| 7,919,416 B2 | 4/2011 | Lee et al. | 8,187,679 B2 | 5/2012 | Dickey et al. |
| 7,925,378 B2 | 4/2011 | Gilchrist et al. | 8,187,951 B1 | 5/2012 | Wang |
| 7,935,940 B1 | 5/2011 | Smargiassi | 8,272,516 B2 | 5/2012 | Salvador |
| 7,939,447 B2 | 5/2011 | Bauer et al. | 8,192,216 B1 * | 6/2012 | Puluc H01R 13/64 439/271 |
| | | | 8,192,901 B2 | 6/2012 | Kageyama |
| | | | 8,196,234 B2 | 6/2012 | Glunk |
| | | | 8,197,915 B2 | 6/2012 | Oka et al. |

(56)

References Cited

U.S. PATENT DOCUMENTS

| | | | | | |
|--------------|---------|------------------------|--------------|---------|---------------------|
| 8,198,168 B2 | 6/2012 | Tanioku | 8,614,047 B2 | 12/2013 | Ayothi et al. |
| 8,206,506 B2 | 6/2012 | Kadkhodayan et al. | 8,616,765 B2 | 12/2013 | Darabnia et al. |
| 8,216,380 B2 | 7/2012 | White et al. | 8,617,411 B2 | 12/2013 | Singh |
| 8,231,799 B2 | 7/2012 | Bera et al. | D697,038 S | 1/2014 | Matsumoto et al. |
| D665,055 S | 8/2012 | Yanagisawa et al. | 8,633,115 B2 | 1/2014 | Chang et al. |
| 8,241,991 B2 | 8/2012 | Hsieh et al. | D698,904 S | 2/2014 | Milligan et al. |
| 8,241,992 B2 | 8/2012 | Clevenger et al. | 8,642,488 B2 | 2/2014 | Liu et al. |
| 8,242,028 B1 | 8/2012 | van Schravendijk | 8,647,722 B2 | 2/2014 | Kobayashi et al. |
| 8,242,031 B2 | 8/2012 | Mallick et al. | 8,647,993 B2 | 2/2014 | Lavoie et al. |
| 8,246,900 B2 | 8/2012 | Kasai et al. | 8,664,627 B1 | 3/2014 | Ishikawa et al. |
| 8,252,114 B2 | 8/2012 | Vukovic | 8,667,654 B2 | 3/2014 | Gros-Jean |
| 8,252,659 B2 | 8/2012 | Huyghabaert et al. | 8,668,957 B2 | 3/2014 | Dussarrat et al. |
| 8,252,691 B2 | 8/2012 | Beynet et al. | 8,669,185 B2 | 3/2014 | Onizawa |
| 8,267,633 B2 | 9/2012 | Obikane | 8,679,958 B2 | 3/2014 | Takamure et al. |
| 8,278,176 B2 | 10/2012 | Bauer et al. | D702,188 S | 4/2014 | Jacobs |
| 8,282,769 B2 | 10/2012 | Iizuka | 8,683,943 B2 | 4/2014 | Onodera et al. |
| 8,282,847 B2 | 10/2012 | Romano | 8,710,580 B2 | 4/2014 | Sakuma et al. |
| 8,287,648 B2 | 10/2012 | Reed et al. | 8,711,338 B2 | 4/2014 | Liu et al. |
| 8,293,016 B2 | 10/2012 | Bahng et al. | D705,745 S | 5/2014 | Kurs et al. |
| 8,293,642 B2 | 10/2012 | Kim | D705,762 S | 5/2014 | Yu |
| 8,298,951 B1 | 10/2012 | Nakano | 8,664,127 B2 | 5/2014 | Bhatia et al. |
| 8,307,472 B1 | 11/2012 | Saxon et al. | 8,720,965 B2 | 5/2014 | Hino et al. |
| 8,309,173 B2 | 11/2012 | Tuominen et al. | 8,721,791 B2 | 5/2014 | Choi et al. |
| 8,323,413 B2 | 12/2012 | Son | 8,722,510 B2 | 5/2014 | Watanabe et al. |
| 8,328,939 B2 | 12/2012 | Choi et al. | 8,722,546 B2 | 5/2014 | Fukazawa et al. |
| 8,329,599 B2 | 12/2012 | Fukazawa et al. | 8,726,837 B2 | 5/2014 | Patalay et al. |
| 8,334,219 B2 | 12/2012 | Lee et al. | 8,728,832 B2 | 5/2014 | Raisanen et al. |
| 8,338,809 B2 | 12/2012 | Yang et al. | 8,728,956 B2 | 5/2014 | Lavoie et al. |
| 8,349,083 B2 | 1/2013 | Takasuka et al. | 8,741,062 B2 | 6/2014 | Lindfors et al. |
| D676,943 S | 2/2013 | Kluss | 8,742,668 B2 | 6/2014 | Nakano et al. |
| 8,367,528 B2 | 2/2013 | Bauer et al. | 8,759,223 B2 | 6/2014 | Sapre et al. |
| 8,372,204 B2 | 2/2013 | Nakamura | D709,536 S | 7/2014 | Yoshimura et al. |
| 8,378,464 B2 | 2/2013 | Kato et al. | D709,537 S | 7/2014 | Kuwabara et al. |
| 8,393,091 B2 | 3/2013 | Kawamoto | 8,764,085 B2 | 7/2014 | Urabe |
| 8,394,466 B2 | 3/2013 | Hong et al. | 8,771,807 B2 | 7/2014 | Xiao et al. |
| 8,398,773 B2 | 3/2013 | Jdira et al. | 8,779,502 B2 | 7/2014 | Sakuma et al. |
| 8,402,918 B2 | 3/2013 | Kadkhodayan et al. | 8,784,950 B2 | 7/2014 | Fukazawa et al. |
| 8,404,499 B2 | 3/2013 | Moffatt | 8,784,951 B2 | 7/2014 | Fukazawa et al. |
| 8,415,258 B2 | 4/2013 | Akae | 8,785,215 B2 | 7/2014 | Kobayashi et al. |
| 8,415,259 B2 | 4/2013 | Lee et al. | 8,785,311 B2 | 7/2014 | Miyoshi |
| 8,419,959 B2 | 4/2013 | Bettencourt et al. | 8,790,743 B1 | 7/2014 | Omari |
| 8,440,259 B2 | 5/2013 | Chiang et al. | 8,790,749 B2 | 7/2014 | Omori et al. |
| 8,444,120 B2 | 5/2013 | Gregg et al. | 8,802,201 B2 | 8/2014 | Raisanen et al. |
| 8,445,075 B2 | 5/2013 | Xu et al. | 8,809,170 B2 | 8/2014 | Bauer |
| 8,450,191 B2 | 5/2013 | Wang | D712,358 S * | 9/2014 | Allen D13/147 |
| 8,465,811 B2 | 6/2013 | Ueda | D712,359 S * | 9/2014 | Allen D13/147 |
| 8,465,903 B2 | 6/2013 | Weidman et al. | 8,820,809 B2 | 9/2014 | Ando et al. |
| 8,466,411 B2 | 6/2013 | Arai | 8,821,640 B2 | 9/2014 | Cleary et al. |
| 8,470,187 B2 | 6/2013 | Ha | 8,828,886 B2 | 9/2014 | Samukawa et al. |
| 8,484,846 B2 | 7/2013 | Dhindsa | 8,841,182 B1 | 9/2014 | Chen et al. |
| 8,492,170 B2 | 7/2013 | Xie et al. | 8,845,806 B2 | 9/2014 | Aida et al. |
| 8,496,377 B2 | 7/2013 | Harr et al. | 8,846,502 B2 | 9/2014 | Haukka et al. |
| 8,496,756 B2 | 7/2013 | Cruse et al. | D715,410 S | 10/2014 | Lohmann |
| 8,497,213 B2 | 7/2013 | Yasui et al. | 8,859,368 B2 | 10/2014 | Deniz |
| 8,501,599 B2 | 8/2013 | Ueno et al. | 8,860,955 B2 | 10/2014 | Rodnick et al. |
| 8,506,162 B2 | 8/2013 | Schick et al. | 8,864,202 B1 | 10/2014 | Schrameyer |
| 8,506,713 B2 | 8/2013 | Takagi | D716,742 S | 11/2014 | Jang et al. |
| 8,529,701 B2 | 9/2013 | Morita | 8,876,974 B2 | 11/2014 | Wan |
| 8,535,767 B1 | 9/2013 | Kimura | 8,877,655 B2 | 11/2014 | Shero et al. |
| D691,974 S | 10/2013 | Osada et al. | 8,882,923 B2 | 11/2014 | Saido et al. |
| 8,551,892 B2 | 10/2013 | Nakano | 8,883,270 B2 | 11/2014 | Shero et al. |
| 8,557,712 B1 | 10/2013 | Antonelli et al. | 8,900,999 B1 | 12/2014 | Wu et al. |
| 8,562,272 B2 | 10/2013 | Lenz | 8,901,016 B2 | 12/2014 | Ha et al. |
| 8,563,443 B2 | 10/2013 | Fukazawa | 8,911,553 B2 | 12/2014 | Baluja et al. |
| 8,569,184 B2 | 10/2013 | Oka | 8,911,826 B2 | 12/2014 | Adachi et al. |
| D693,200 S | 11/2013 | Saunders | 8,912,101 B2 | 12/2014 | Tsuji et al. |
| D694,189 S * | 11/2013 | Ledinger D13/146 | D720,838 S | 1/2015 | Yamagishi et al. |
| 8,573,152 B2 | 11/2013 | de la Llera et al. | 8,927,906 B2 | 1/2015 | Tadokoro et al. |
| 8,573,154 B2 | 11/2013 | Yorozuya | 8,933,375 B2 | 1/2015 | Dunn et al. |
| 8,586,484 B2 | 11/2013 | Matsuyama et al. | 8,940,646 B1 | 1/2015 | Chandrasekharan |
| 8,591,659 B1 | 11/2013 | Fang et al. | D723,153 S | 2/2015 | Borkholder |
| 8,592,005 B2 | 11/2013 | Ueda | 8,945,305 B2 | 2/2015 | Marsh |
| 8,608,885 B2 | 11/2013 | Goto et al. | 8,945,306 B2 | 2/2015 | Tsuda |
| D694,790 S | 12/2013 | Matsumoto et al. | 8,945,339 B2 | 2/2015 | Kakimoto |
| D695,240 S | 12/2013 | Iida et al. | 8,946,830 B2 | 2/2015 | Jung et al. |
| | | | 8,956,971 B2 | 2/2015 | Huakka |
| | | | 8,956,983 B2 | 2/2015 | Swaminathan |
| | | | D723,330 S | 3/2015 | York |
| | | | D724,553 S | 3/2015 | Choi |

(56)

References Cited

U.S. PATENT DOCUMENTS

| | | | | | |
|--------------|---------|-------------------|----------------|---------|------------------------------|
| D724,701 S | 3/2015 | Yamagishi et al. | 9,257,274 B2 | 2/2016 | Kang et al. |
| D725,168 S | 3/2015 | Yamagishi | 9,263,298 B2 | 2/2016 | Matsumoto et al. |
| 8,967,608 B2 | 3/2015 | Mitsumori et al. | 9,267,204 B2 | 2/2016 | Honma |
| 8,974,868 B2 | 3/2015 | Ishizaka et al. | 9,267,850 B2 | 2/2016 | Aggarwal |
| 8,980,006 B2 | 3/2015 | Huh et al. | D751,176 S | 3/2016 | Schoenherr et al. |
| 8,986,456 B2 | 3/2015 | Fondurulia et al. | 9,281,277 B2 | 3/2016 | Baek et al. |
| 8,991,214 B2 | 3/2015 | Hoshino et al. | 9,284,642 B2 | 3/2016 | Nakano |
| 8,991,887 B2 | 3/2015 | Shin et al. | 9,287,273 B2 | 3/2016 | Ragnarsson et al. |
| 8,993,054 B2 | 3/2015 | Jung et al. | 9,297,705 B2 | 3/2016 | Aggarwal |
| 8,993,457 B1 | 3/2015 | Ramkumar et al. | 9,299,557 B2 | 3/2016 | Tolle et al. |
| D726,365 S | 4/2015 | Weigensberg | 9,299,595 B2 | 3/2016 | Dunn et al. |
| D726,884 S | 4/2015 | Yamagishi et al. | D753,269 S | 4/2016 | Yamagishi et al. |
| 8,999,102 B2 | 4/2015 | Miyoshi et al. | D753,629 S | 4/2016 | Plattard |
| 9,004,744 B1 | 4/2015 | Kemp | 9,305,836 B1 | 4/2016 | Gates et al. |
| 9,005,539 B2 | 4/2015 | Halpin et al. | 9,309,598 B2 | 4/2016 | Wang et al. |
| 9,017,481 B1 | 4/2015 | Pettinger et al. | 9,309,978 B2 | 4/2016 | Hatch et al. |
| 9,017,933 B2 | 4/2015 | Liu et al. | 9,312,155 B2 | 4/2016 | Mori |
| 9,018,093 B2 | 4/2015 | Tsuji et al. | 9,315,897 B2 | 4/2016 | Byun |
| 9,018,111 B2 | 4/2015 | Milligan et al. | 9,324,811 B2 | 4/2016 | Weeks |
| 9,018,567 B2 | 4/2015 | de Ridder et al. | 9,324,846 B1 | 4/2016 | Camillo |
| 9,021,985 B2 | 5/2015 | Alokozai et al. | D756,929 S * | 5/2016 | Harck D13/146 |
| 9,023,737 B2 | 5/2015 | Beynet et al. | 9,337,054 B2 | 5/2016 | Hunks et al. |
| 9,023,738 B2 | 5/2015 | Kato et al. | 9,337,057 B2 | 5/2016 | Park et al. |
| 9,029,244 B2 | 5/2015 | Won et al. | 9,341,296 B2 | 5/2016 | Yednak |
| 9,029,253 B2 | 5/2015 | Milligan et al. | 9,343,297 B1 | 5/2016 | Fukazawa et al. |
| 9,029,272 B1 | 5/2015 | Nakano | 9,343,308 B2 | 5/2016 | Isii |
| D732,145 S | 6/2015 | Yamagishi | 9,343,343 B2 | 5/2016 | Mori |
| D732,644 S | 6/2015 | Yamagishi et al. | 9,343,350 B2 | 5/2016 | Arai |
| D733,257 S | 6/2015 | Schoenherr et al. | 9,349,620 B2 | 5/2016 | Kamata et al. |
| D733,261 S | 6/2015 | Yamagishi et al. | 9,353,441 B2 | 5/2016 | Chung |
| D733,262 S | 7/2015 | Yamagishi et al. | 9,355,876 B2 | 5/2016 | Rejuter et al. |
| D733,843 S | 7/2015 | Yamagishi | D759,137 S * | 6/2016 | Hassan D15/144 |
| D734,377 S | 7/2015 | Hirakida | 9,362,137 B2 | 6/2016 | Kang et al. |
| 9,076,726 B2 | 7/2015 | Kauerauf et al. | 9,362,180 B2 | 6/2016 | Lee et al. |
| D735,836 S | 8/2015 | Yamagishi | 9,365,924 B2 | 6/2016 | Nonaka |
| D736,348 S | 8/2015 | Tan | 9,368,352 B2 | 6/2016 | Takamure et al. |
| 9,096,931 B2 | 8/2015 | Yednak et al. | 9,370,863 B2 | 6/2016 | Tsuji et al. |
| 9,099,423 B2 | 8/2015 | Weeks et al. | 9,384,987 B2 | 7/2016 | Jung et al. |
| 9,099,505 B2 | 8/2015 | Kusakabe et al. | 9,390,909 B2 | 7/2016 | Pasquale et al. |
| 9,111,972 B2 | 8/2015 | Takeshita et al. | 9,394,608 B2 | 7/2016 | Shero et al. |
| 9,117,657 B2 | 8/2015 | Nakano et al. | 9,396,934 B2 | 7/2016 | Tolle |
| 9,117,866 B2 | 8/2015 | Marquardt et al. | 9,396,956 B1 | 7/2016 | Fukazawa |
| D739,222 S | 9/2015 | Chadbourne | 9,399,228 B2 | 7/2016 | Breiling et al. |
| 9,123,510 B2 | 9/2015 | Nakano et al. | 9,404,587 B2 | 8/2016 | Shugrue |
| 9,123,577 B2 | 9/2015 | Fujimoto et al. | 9,412,564 B2 | 8/2016 | Milligan |
| 9,127,358 B2 | 9/2015 | Inoue et al. | 9,412,582 B2 | 8/2016 | Sasaki et al. |
| 9,129,897 B2 | 9/2015 | Pore et al. | 9,425,078 B2 | 8/2016 | Tang et al. |
| 9,136,108 B2 | 9/2015 | Matsushita et al. | 9,443,725 B2 | 9/2016 | Liu et al. |
| 9,136,180 B2 | 9/2015 | Machkaoutsan | 9,447,498 B2 | 9/2016 | Shiba et al. |
| 9,142,393 B2 | 9/2015 | Okabe et al. | 9,449,793 B2 | 9/2016 | Shaji et al. |
| 9,142,437 B2 | 9/2015 | Fosnight et al. | 9,455,138 B1 | 9/2016 | Fukazawa |
| 9,153,441 B2 | 10/2015 | Takamure et al. | 9,455,177 B1 | 9/2016 | Park et al. |
| 9,166,012 B2 | 10/2015 | Sim et al. | 9,464,352 B2 | 10/2016 | Nakano et al. |
| 9,169,975 B2 | 10/2015 | Sarin et al. | 9,474,163 B2 | 10/2016 | Tolle et al. |
| 9,171,714 B2 | 10/2015 | Mori | 9,478,414 B2 | 10/2016 | Kobayashi et al. |
| 9,171,716 B2 | 10/2015 | Fukuda | 9,478,415 B2 | 10/2016 | Kimura |
| D742,202 S | 11/2015 | Cyphers et al. | 9,478,912 B1 * | 10/2016 | Zusman H01R 13/645 |
| D743,357 S | 11/2015 | Vyne | D770,993 S | 11/2016 | Yoshida et al. |
| D743,513 S | 11/2015 | Yamagishi | 9,484,191 B2 | 11/2016 | Winkler |
| 9,174,178 B2 | 11/2015 | Yudovsky et al. | 9,514,927 B2 | 12/2016 | Tolle et al. |
| 9,175,394 B2 | 11/2015 | Berger et al. | 9,514,932 B2 | 12/2016 | Mallick et al. |
| 9,177,784 B2 | 11/2015 | Raisanen et al. | 9,523,148 B1 | 12/2016 | Pore et al. |
| 9,184,047 B2 | 11/2015 | Liu et al. | D777,546 S | 1/2017 | Ishii et al. |
| 9,184,054 B1 | 11/2015 | Huang et al. | 9,543,180 B2 | 1/2017 | Kamiya |
| 9,190,263 B2 | 11/2015 | Ishikawa et al. | 9,556,516 B2 | 1/2017 | Takamure |
| 9,190,264 B2 | 11/2015 | Yuasa et al. | 9,558,931 B2 | 1/2017 | Tang |
| 9,196,483 B1 | 11/2015 | Lee et al. | 9,564,314 B2 | 2/2017 | Takamure et al. |
| D745,641 S | 12/2015 | Blum | 9,570,302 B1 | 2/2017 | Chang et al. |
| 9,202,727 B2 | 12/2015 | Dunn et al. | 9,574,268 B1 | 2/2017 | Dunn et al. |
| 9,214,333 B1 | 12/2015 | Sims et al. | 9,576,952 B2 | 2/2017 | Joshi et al. |
| 9,228,259 B2 | 1/2016 | Haukka et al. | 9,583,345 B2 | 2/2017 | Chen et al. |
| 9,240,412 B2 | 1/2016 | Xie et al. | D782,419 S * | 3/2017 | Willette D13/134 |
| 9,245,742 B2 | 1/2016 | Haukka | 9,589,770 B2 | 3/2017 | Winkler |
| 9,252,024 B2 | 2/2016 | Lam et al. | 9,590,359 B1 * | 3/2017 | Patterson H01R 13/6473 |
| 9,252,238 B1 | 2/2016 | Trevino et al. | 9,605,342 B2 | 3/2017 | Alokozai et al. |
| | | | 9,605,343 B2 | 3/2017 | Winkler |
| | | | 9,607,837 B1 | 3/2017 | Namba |
| | | | D783,351 S | 4/2017 | Fujino et al. |
| | | | 9,613,801 B2 | 4/2017 | Carcasi et al. |

(56)

References Cited

U.S. PATENT DOCUMENTS

| | | | | | |
|----------------|---------|---------------------------|-----------------|---------|-----------------------------|
| 9,627,221 B1 | 4/2017 | Zaitso et al. | 10,018,920 B2 | 7/2018 | Chang et al. |
| D785,766 S | 5/2017 | Sato | 10,023,960 B2 | 7/2018 | Alokozai |
| D787,458 S | 5/2017 | Kim et al. | 10,032,792 B2 | 7/2018 | Kim et al. |
| 9,640,416 B2 | 5/2017 | Arai | 10,043,661 B2 | 8/2018 | Kato et al. |
| 9,640,448 B2 | 5/2017 | Ikegawa et al. | 10,047,435 B2 | 8/2018 | Haukka et al. |
| 9,647,114 B2 | 5/2017 | Margetis | 10,053,774 B2 | 8/2018 | Tolle et al. |
| 9,657,845 B2 | 5/2017 | Shugrue | D827,592 S | 9/2018 | Ichino et al. |
| 9,659,799 B2 | 5/2017 | Lawson | 10,083,836 B2 | 9/2018 | Milligan |
| 9,663,857 B2 | 5/2017 | Nakano et al. | D830,981 S | 10/2018 | Jeong et al. |
| 9,666,528 B1 | 5/2017 | Bergendahl et al. | 10,087,522 B2 | 10/2018 | Raisanen et al. |
| D789,888 S | 6/2017 | Jang et al. | 10,087,525 B2 | 10/2018 | Schmotzer et al. |
| 9,680,268 B1 * | 6/2017 | Finona H01R 24/38 | 10,090,316 B2 | 10/2018 | Ootsuka |
| 9,684,234 B2 | 6/2017 | Darling et al. | 10,103,040 B1 | 10/2018 | Oosterlaken et al. |
| 9,685,320 B2 | 6/2017 | Kang et al. | 10,106,892 B1 | 10/2018 | Siddiqui et al. |
| 9,691,771 B2 | 6/2017 | Lansalot-Matras | 10,121,671 B2 | 11/2018 | Fu et al. |
| 9,698,031 B2 | 7/2017 | Kobayashi et al. | 10,134,757 B2 | 11/2018 | Chun et al. |
| 9,708,707 B2 | 7/2017 | Ditizio et al. | RE47,170 E | 12/2018 | Beynet et al. |
| 9,708,708 B2 | 7/2017 | Isobe et al. | 10,147,600 B2 | 12/2018 | Takamure et al. |
| 9,711,345 B2 | 7/2017 | Shiba et al. | 10,167,557 B2 | 1/2019 | Hawkins et al. |
| D793,352 S | 8/2017 | Hill | 10,177,025 B2 | 1/2019 | Pore |
| D793,572 S | 8/2017 | Kozuka et al. | 10,179,947 B2 | 1/2019 | Fukazawa |
| D793,976 S | 8/2017 | Fukushima et al. | 10,186,420 B2 | 1/2019 | Fukazawa |
| D795,208 S | 8/2017 | Sasaki et al. | 10,190,213 B2 | 1/2019 | Zhu et al. |
| 9,735,024 B2 | 8/2017 | Zaitso | D840,364 S | 2/2019 | Ichino et al. |
| 9,741,559 B2 | 8/2017 | Shimura et al. | 10,211,308 B2 | 2/2019 | Zhu et al. |
| 9,748,145 B1 | 8/2017 | Kannan et al. | 10,229,833 B2 | 3/2019 | Raisanen et al. |
| D796,458 S | 9/2017 | Jang et al. | 10,236,177 B1 | 3/2019 | Kohen et al. |
| D796,670 S | 9/2017 | Dolk et al. | 10,249,524 B2 | 4/2019 | den Hartog Besselink et al. |
| 9,754,779 B1 | 9/2017 | Ishikawa | 10,249,577 B2 | 4/2019 | Lee et al. |
| 9,754,818 B2 | 9/2017 | Shiu et al. | 10,262,859 B2 | 4/2019 | Margetis et al. |
| 9,759,489 B2 | 9/2017 | Kaneko | 10,269,558 B2 | 4/2019 | Blanquart et al. |
| 9,786,491 B2 | 10/2017 | Suzuki et al. | 10,276,355 B2 | 4/2019 | White et al. |
| 9,790,595 B2 | 10/2017 | Jung et al. | D849,662 S | 5/2019 | Rike |
| 9,793,115 B2 | 10/2017 | Tolle | 10,283,353 B2 | 5/2019 | Kobayashi et al. |
| 9,793,135 B1 | 10/2017 | Zaitso et al. | 10,290,508 B1 | 5/2019 | Kubota et al. |
| 9,793,148 B2 | 10/2017 | Yamagishi et al. | 10,312,055 B2 | 6/2019 | Suzuki |
| 9,798,308 B2 | 10/2017 | Mimura | 10,312,129 B2 | 6/2019 | Coomer |
| 9,799,736 B1 | 10/2017 | Ebrish et al. | 10,319,588 B2 | 6/2019 | Mattinen et al. |
| D802,546 S | 11/2017 | Jang et al. | 10,322,384 B2 | 6/2019 | Stumpf et al. |
| 9,808,246 B2 | 11/2017 | Shelton et al. | D855,089 S | 7/2019 | Hopkins |
| 9,812,319 B1 | 11/2017 | Fukazawa et al. | 10,340,125 B2 | 7/2019 | Winkler |
| 9,812,320 B1 | 11/2017 | Pore et al. | 10,340,135 B2 | 7/2019 | Blanquart |
| 9,812,814 B1 * | 11/2017 | Borkar H01R 13/6397 | 10,343,920 B2 | 7/2019 | Haukka |
| 9,820,289 B1 | 11/2017 | Pawar et al. | 10,361,201 B2 | 7/2019 | Xie et al. |
| 9,824,893 B1 | 11/2017 | Smith et al. | 2001/0000141 A1 | 4/2001 | Zhou et al. |
| 9,859,151 B1 | 1/2018 | Niskanen | 2001/0001953 A1 | 5/2001 | Griffiths et al. |
| 9,865,455 B1 | 1/2018 | Sims et al. | 2001/0003191 A1 | 6/2001 | Kovacs et al. |
| 9,865,815 B2 | 1/2018 | Hausmann | 2001/0006070 A1 | 7/2001 | Shang |
| 9,868,131 B2 | 1/2018 | Kilpi et al. | 2001/0007645 A1 | 7/2001 | Honma |
| 9,870,964 B1 | 1/2018 | Yoshino et al. | 2001/0014267 A1 | 8/2001 | Yamaga et al. |
| 9,875,891 B2 | 1/2018 | Henri et al. | 2001/0014514 A1 | 8/2001 | Geusic |
| 9,875,893 B2 | 1/2018 | Takamure et al. | 2001/0017103 A1 | 8/2001 | Takeshita et al. |
| D810,705 S | 2/2018 | Krishnan et al. | 2001/0018267 A1 | 8/2001 | Shinriki et al. |
| 9,887,082 B1 | 2/2018 | Pore et al. | 2001/0019777 A1 | 9/2001 | Tanaka et al. |
| 9,890,456 B2 | 2/2018 | Tolle et al. | 2001/0019900 A1 | 9/2001 | Hasegawa |
| 9,891,521 B2 | 2/2018 | Kang et al. | 2001/0020715 A1 | 9/2001 | Yamasaki |
| 9,892,908 B2 | 2/2018 | Pettinger et al. | 2001/0028924 A1 | 10/2001 | Sherman |
| 9,892,913 B2 | 2/2018 | Margetis et al. | 2001/0031535 A1 | 10/2001 | Agnello et al. |
| 9,895,715 B2 | 2/2018 | Haukka et al. | 2001/0031541 A1 | 10/2001 | Madan et al. |
| 9,899,291 B2 | 2/2018 | Kato | 2001/0038783 A1 | 11/2001 | Nakashima et al. |
| 9,899,405 B2 | 2/2018 | Kim | 2001/0039922 A1 | 11/2001 | Nakahara |
| 9,905,420 B2 | 2/2018 | Margetis et al. | 2001/0039966 A1 | 11/2001 | Walpole et al. |
| 9,909,492 B2 | 2/2018 | Tang | 2001/0040511 A1 | 11/2001 | Bushner et al. |
| 9,909,214 B2 | 3/2018 | Suemori | 2001/0041250 A1 | 11/2001 | Werkhoven et al. |
| 9,911,676 B2 | 3/2018 | Tang | 2001/0046765 A1 | 11/2001 | Cappellani et al. |
| 9,916,980 B1 | 3/2018 | Knaepen | 2001/0048981 A1 | 12/2001 | Suzuki |
| 9,929,011 B2 | 3/2018 | Hawryluk et al. | 2001/0049080 A1 | 12/2001 | Asano |
| 9,951,421 B2 | 4/2018 | Lind | 2001/0049202 A1 | 12/2001 | Maeda et al. |
| 9,960,072 B2 | 5/2018 | Coomer | 2001/0054388 A1 | 12/2001 | Qian |
| 9,984,869 B1 | 5/2018 | Blanquart | 2002/0001974 A1 | 1/2002 | Chan |
| D819,580 S | 6/2018 | Krishnan et al. | 2002/0001976 A1 | 1/2002 | Danek |
| 9,987,747 B2 | 6/2018 | Hwang et al. | 2002/0005400 A1 | 1/2002 | Gat et al. |
| 9,997,357 B2 | 6/2018 | Arghavani et al. | 2002/0008270 A1 | 1/2002 | Marsh |
| 9,997,373 B2 | 6/2018 | Hudson | 2002/0009119 A1 | 1/2002 | Matthew et al. |
| 10,032,628 B2 | 6/2018 | Xie et al. | 2002/0011210 A1 | 1/2002 | Satoh et al. |
| | | | 2002/0011211 A1 | 1/2002 | Halpin |
| | | | 2002/0013792 A1 | 1/2002 | Imielinski et al. |
| | | | 2002/0014204 A1 | 2/2002 | Pyo |
| | | | 2002/0014483 A1 | 2/2002 | Suzuki et al. |

(56)

References Cited

| U.S. PATENT DOCUMENTS | | | |
|-----------------------|----|---------|---------------------|
| 2002/0016829 | A1 | 2/2002 | Defosse |
| 2002/0023677 | A1 | 2/2002 | Zheng |
| 2002/0025688 | A1 | 2/2002 | Kato |
| 2002/0027945 | A1 | 3/2002 | Hirano et al. |
| 2002/0031644 | A1 | 3/2002 | Malofsky et al. |
| 2002/0041931 | A1 | 4/2002 | Suntola et al. |
| 2002/0043337 | A1 | 4/2002 | Goodman et al. |
| 2002/0048634 | A1 | 4/2002 | Basceri |
| 2002/0081826 | A1 | 4/2002 | Rotondaro et al. |
| 2002/0064592 | A1 | 5/2002 | Datta et al. |
| 2002/0064598 | A1 | 5/2002 | Wang et al. |
| 2002/0069222 | A1 | 6/2002 | McNeely |
| 2002/0073922 | A1 | 6/2002 | Frankel et al. |
| 2002/0076507 | A1 | 6/2002 | Chiang et al. |
| 2002/0076944 | A1 | 6/2002 | Wang et al. |
| 2002/0078893 | A1 | 6/2002 | Os et al. |
| 2002/0079714 | A1 | 6/2002 | Soucy et al. |
| 2002/0088542 | A1 | 7/2002 | Nishikawa et al. |
| 2002/0090735 | A1 | 7/2002 | Kishkovich et al. |
| 2002/0096211 | A1 | 7/2002 | Zheng |
| 2002/0098627 | A1 | 7/2002 | Pomarede et al. |
| 2002/0099470 | A1 | 7/2002 | Zinger et al. |
| 2002/0100418 | A1 | 8/2002 | Sandhu et al. |
| 2002/0104751 | A1 | 8/2002 | Drewery et al. |
| 2002/0108670 | A1 | 8/2002 | Baker et al. |
| 2002/0109115 | A1 | 8/2002 | Cederstav et al. |
| 2002/0110695 | A1 | 8/2002 | Yang et al. |
| 2002/0110991 | A1 | 8/2002 | Li |
| 2002/0112114 | A1 | 8/2002 | Blair et al. |
| 2002/0114886 | A1 | 8/2002 | Chou et al. |
| 2002/0115252 | A1 | 8/2002 | Haukka et al. |
| 2002/0123237 | A1 | 9/2002 | Nguyen et al. |
| 2002/0124883 | A1 | 9/2002 | Zheng |
| 2002/0127350 | A1 | 9/2002 | Ishikawa et al. |
| 2002/0132408 | A1 | 9/2002 | Ma et al. |
| 2002/0134511 | A1 | 9/2002 | Ushioda et al. |
| 2002/0136214 | A1 | 9/2002 | Do et al. |
| 2002/0136909 | A1 | 9/2002 | Yang |
| 2002/0139775 | A1 | 10/2002 | Chang |
| 2002/0146512 | A1 | 10/2002 | Rossman |
| 2002/0151327 | A1 | 10/2002 | Levitt |
| 2002/0152244 | A1 | 10/2002 | Dean et al. |
| 2002/0155219 | A1 | 10/2002 | Wang et al. |
| 2002/0160112 | A1 | 10/2002 | Sakai et al. |
| 2002/0164420 | A1 | 11/2002 | Derderian et al. |
| 2002/0172768 | A1 | 11/2002 | Endo et al. |
| 2002/0174106 | A1 | 11/2002 | Martin |
| 2002/0179011 | A1 | 12/2002 | Jonnalagadda et al. |
| 2002/0184111 | A1 | 12/2002 | Swanson |
| 2002/0187650 | A1 | 12/2002 | Blalock et al. |
| 2002/0187656 | A1 | 12/2002 | Tan et al. |
| 2002/0197849 | A1 | 12/2002 | Mandal |
| 2003/0000647 | A1 | 1/2003 | Yudovsky et al. |
| 2003/0002562 | A1 | 1/2003 | Yerlikaya et al. |
| 2003/0003607 | A1 | 1/2003 | Kagoshima |
| 2003/0003635 | A1 | 1/2003 | Paranjpe et al. |
| 2003/0003696 | A1 | 1/2003 | Gelatos et al. |
| 2003/0008528 | A1 | 1/2003 | Xia et al. |
| 2003/0010451 | A1 | 1/2003 | Tzu |
| 2003/0010452 | A1 | 1/2003 | Park et al. |
| 2003/0012632 | A1 | 1/2003 | Saeki |
| 2003/0015294 | A1 | 1/2003 | Wang |
| 2003/0015596 | A1 | 1/2003 | Evans |
| 2003/0017265 | A1 | 1/2003 | Basceri et al. |
| 2003/0017266 | A1 | 1/2003 | Basceri et al. |
| 2003/0017268 | A1 | 1/2003 | Hu |
| 2003/0019428 | A1 | 1/2003 | Ku et al. |
| 2003/0019580 | A1 | 1/2003 | Strang |
| 2003/0022468 | A1 | 1/2003 | Shioya et al. |
| 2003/0022523 | A1 | 1/2003 | Irino et al. |
| 2003/0023338 | A1 | 1/2003 | Chin et al. |
| 2003/0024901 | A1 | 2/2003 | Ishikawa |
| 2003/0025146 | A1 | 2/2003 | Narwankar et al. |
| 2003/0029303 | A1 | 2/2003 | Hasegawa et al. |
| 2003/0029381 | A1 | 2/2003 | Nishibayashi |
| 2003/0029475 | A1 | | |
| 2003/0035002 | A1 | | |
| 2003/0036272 | A1 | | |
| 2003/0040120 | A1 | | |
| 2003/0040158 | A1 | | |
| 2003/0040196 | A1 | | |
| 2003/0040841 | A1 | | |
| 2003/0041971 | A1 | | |
| 2003/0042419 | A1 | | |
| 2003/0045961 | A1 | | |
| 2003/0049372 | A1 | | |
| 2003/0049375 | A1 | | |
| 2003/0049937 | A1 | | |
| 2003/0054670 | A1 | | |
| 2003/0059535 | A1 | | |
| 2003/0059980 | A1 | | |
| 2003/0062359 | A1 | | |
| 2003/0065413 | A1 | | |
| 2003/0066482 | A1 | | |
| 2003/0066541 | A1 | | |
| 2003/0066826 | A1 | | |
| 2003/0071015 | A1 | | |
| 2003/0072882 | A1 | | |
| 2003/0075925 | A1 | | |
| 2003/0077857 | A1 | | |
| 2003/0077883 | A1 | | |
| 2003/0082296 | A1 | | |
| 2003/0082307 | A1 | | |
| 2003/0091938 | A1 | | |
| 2003/0094133 | A1 | | |
| 2003/0101938 | A1 | | |
| 2003/0109107 | A1 | | |
| 2003/0109951 | A1 | | |
| 2003/0111013 | A1 | | |
| 2003/0111963 | A1 | | |
| 2003/0116087 | A1 | | |
| 2003/0168750 | A1 | | |
| 2003/0121608 | A1 | | |
| 2003/0124792 | A1 | | |
| 2003/0133854 | A1 | | |
| 2003/0134038 | A1 | | |
| 2003/0140851 | A1 | | |
| 2003/0141820 | A1 | | |
| 2003/0143328 | A1 | | |
| 2003/0153177 | A1 | | |
| 2003/0157436 | A1 | | |
| 2003/0159656 | A1 | | |
| 2003/0162412 | A1 | | |
| 2003/0168001 | A1 | | |
| 2003/0168699 | A1 | | |
| 2003/0170583 | A1 | | |
| 2003/0170945 | A1 | | |
| 2003/0173490 | A1 | | |
| 2003/0176074 | A1 | | |
| 2003/0180458 | A1 | | |
| 2003/0183156 | A1 | | |
| 2003/0183856 | A1 | | |
| 2003/0188685 | A1 | | |
| 2003/0190804 | A1 | | |
| 2003/0192875 | A1 | | |
| 2003/0198587 | A1 | | |
| 2003/0201541 | A1 | | |
| 2003/0205202 | A1 | | |
| 2003/0209323 | A1 | | |
| 2003/0209326 | A1 | | |
| 2003/0209746 | A1 | | |
| 2003/0211735 | A1 | | |
| 2003/0213435 | A1 | | |
| 2003/0213560 | A1 | | |
| 2003/0217915 | A1 | | |
| 2003/0219972 | A1 | | |
| 2003/0226840 | A1 | | |
| 2003/0228772 | A1 | | |
| 2003/0231698 | A1 | | |
| 2003/0232138 | A1 | | |
| 2003/0232491 | A1 | | |
| 2003/0232511 | A1 | | |
| 2004/0002224 | A1 | | |
| 2004/0009307 | A1 | | |
| 2/2003 | | | Hua et al. |
| 2/2003 | | | Moles |
| 2/2003 | | | Shamouilian et al. |
| 2/2003 | | | Allen et al. |
| 2/2003 | | | Saitoh |
| 2/2003 | | | Lim et al. |
| 2/2003 | | | Nasr et al. |
| 3/2003 | | | Kido et al. |
| 3/2003 | | | Katsumata et al. |
| 3/2003 | | | Nakao |
| 3/2003 | | | Cook et al. |
| 3/2003 | | | Nguyen et al. |
| 3/2003 | | | Suzuki |
| 3/2003 | | | Wang et al. |
| 3/2003 | | | Luo et al. |
| 3/2003 | | | Chen et al. |
| 4/2003 | | | Ho et al. |
| 4/2003 | | | Liteplo et al. |
| 4/2003 | | | Pokharna et al. |
| 4/2003 | | | Sun et al. |
| 4/2003 | | | Lee et al. |
| 4/2003 | | | Chinn et al. |
| 4/2003 | | | Niinisto et al. |
| 4/2003 | | | Lindfors et al. |
| 4/2003 | | | Xia et al. |
| 4/2003 | | | Ohtake |
| 5/2003 | | | Elers et al. |
| 5/2003 | | | Chung et al. |
| 5/2003 | | | Fairbairn et al. |
| 5/2003 | | | Yoshidome et al. |
| 6/2003 | | | Ronsse et al. |
| 6/2003 | | | Hsieh et al. |
| 6/2003 | | | Hsiung et al. |
| 6/2003 | | | Oosterlaken et al. |
| 6/2003 | | | Tolmachev et al. |
| 6/2003 | | | Nguyen |
| 6/2003 | | | Basceri et al. |
| 7/2003 | | | Chen |
| 7/2003 | | | Jeon et al. |
| 7/2003 | | | Tabata et al. |
| 7/2003 | | | Paranjpe |
| 7/2003 | | | Janakiraman et al. |
| 7/2003 | | | White et al. |
| 7/2003 | | | Chen |
| 8/2003 | | | Tepman et al. |
| 8/2003 | | | Manger et al. |
| 8/2003 | | | Tan |
| 8/2003 | | | Chung |
| 9/2003 | | | Sneh |
| 9/2003 | | | Honda |
| 9/2003 | | | Nakashima |
| 9/2003 | | | Igeta et al. |
| 9/2003 | | | Lappen |
| 9/2003 | | | Paterson et al. |
| 9/2003 | | | Sneh |
| 10/2003 | | | Dando |
| 10/2003 | | | Wieczorek et al. |
| 10/2003 | | | Wang |
| 10/2003 | | | Glenn et al. |
| 10/2003 | | | Bieker et al. |
| 10/2003 | | | Kaloyeros |
| 10/2003 | | | Kim |
| 11/2003 | | | Funaki et al. |
| 11/2003 | | | Yokogaki |
| 11/2003 | | | Lee et al. |
| 11/2003 | | | Horii |
| 11/2003 | | | Rossman |
| 11/2003 | | | Okuda et al. |
| 11/2003 | | | Wang et al. |
| 11/2003 | | | Ouellet |
| 11/2003 | | | Green |
| 12/2003 | | | Dalton |
| 12/2003 | | | Cowans |
| 12/2003 | | | Yamaguchi |
| 12/2003 | | | Tuominen et al. |
| 12/2003 | | | Yamaguchi |
| 12/2003 | | | Metzner et al. |
| 1/2004 | | | Chono et al. |
| 1/2004 | | | Koh et al. |

(56)

References Cited

U.S. PATENT DOCUMENTS

| | | | | | | | |
|--------------|----|---------|---------------------|--------------|----|---------|----------------------|
| 2004/0009679 | A1 | 1/2004 | Yeo et al. | 2004/0213921 | A1 | 10/2004 | Leu |
| 2004/0010772 | A1 | 1/2004 | McKenna et al. | 2004/0214399 | A1 | 10/2004 | Ahn et al. |
| 2004/0011504 | A1 | 1/2004 | Ku et al. | 2004/0214445 | A1 | 10/2004 | Shimizu et al. |
| 2004/0013577 | A1 | 1/2004 | Ganguli et al. | 2004/0217217 | A1 | 11/2004 | Han et al. |
| 2004/0013818 | A1 | 1/2004 | Moon et al. | 2004/0219793 | A1 | 11/2004 | Hishiya et al. |
| 2004/0015300 | A1 | 1/2004 | Ganguli et al. | 2004/0221807 | A1 | 11/2004 | Verghese et al. |
| 2004/0016637 | A1 | 1/2004 | Yang | 2004/0223893 | A1 | 11/2004 | Tabata et al. |
| 2004/0018304 | A1 | 1/2004 | Chung et al. | 2004/0228968 | A1 | 11/2004 | Basceri |
| 2004/0018307 | A1 | 1/2004 | Park et al. | 2004/0231600 | A1 | 11/2004 | Lee |
| 2004/0018723 | A1 | 1/2004 | Byun et al. | 2004/0238523 | A1 | 12/2004 | Kuibira et al. |
| 2004/0018750 | A1 | 1/2004 | Sophie et al. | 2004/0241322 | A1 | 12/2004 | Basceri et al. |
| 2004/0023516 | A1 | 2/2004 | Londergan et al. | 2004/0241998 | A1 | 12/2004 | Hanson |
| 2004/0025787 | A1 | 2/2004 | Selbrede et al. | 2004/0247779 | A1 | 12/2004 | Selvamanickam et al. |
| 2004/0026372 | A1 | 2/2004 | Takenaka et al. | 2004/0250600 | A1 | 12/2004 | Bevers et al. |
| 2004/0029052 | A1 | 2/2004 | Park et al. | 2004/0253867 | A1 | 12/2004 | Matsumoto |
| 2004/0031564 | A1 | 2/2004 | Gottscho et al. | 2004/0261712 | A1 | 12/2004 | Hayashi et al. |
| 2004/0035358 | A1 | 2/2004 | Basceri et al. | 2004/0266011 | A1 | 12/2004 | Lee et al. |
| 2004/0036129 | A1 | 2/2004 | Forbes et al. | 2005/0000428 | A1 | 1/2005 | Shero et al. |
| 2004/0037675 | A1 | 2/2004 | Zinger et al. | 2005/0003662 | A1 | 1/2005 | Jurisch et al. |
| 2004/0043544 | A1 | 3/2004 | Asai et al. | 2005/0008799 | A1 | 1/2005 | Tomiyasu et al. |
| 2004/0048439 | A1 | 3/2004 | Soman | 2005/0009325 | A1 | 1/2005 | Chung et al. |
| 2004/0048452 | A1 | 3/2004 | Sugawara et al. | 2005/0017272 | A1 | 1/2005 | Yamashita et al. |
| 2004/0048492 | A1 | 3/2004 | Ishikawa et al. | 2005/0019026 | A1 | 1/2005 | Wang et al. |
| 2004/0050325 | A1 | 3/2004 | Samoilov | 2005/0019494 | A1 | 1/2005 | Moghadam et al. |
| 2004/0056017 | A1 | 3/2004 | Renken | 2005/0020071 | A1 | 1/2005 | Sonobe et al. |
| 2004/0062081 | A1 | 4/2004 | Drewes | 2005/0023624 | A1 | 2/2005 | Ahn et al. |
| 2004/0063289 | A1 | 4/2004 | Ohta | 2005/0026402 | A1 | 2/2005 | Jurgensen |
| 2004/0065255 | A1 | 4/2004 | Yang et al. | 2005/0034674 | A1 | 2/2005 | Ono |
| 2004/0069226 | A1 | 4/2004 | Yoshida et al. | 2005/0037154 | A1 | 2/2005 | Koh et al. |
| 2004/0071897 | A1 | 4/2004 | Verplancken et al. | 2005/0037578 | A1 | 2/2005 | Chen et al. |
| 2004/0077182 | A1 | 4/2004 | Lim et al. | 2005/0037610 | A1 | 2/2005 | Cha |
| 2004/0079960 | A1 | 4/2004 | Shakuda | 2005/0042778 | A1 | 2/2005 | Peukert |
| 2004/0080697 | A1 | 4/2004 | Song | 2005/0046825 | A1 | 3/2005 | Powell et al. |
| 2004/0082171 | A1 | 4/2004 | Shin et al. | 2005/0048797 | A1 | 3/2005 | Fukazawa |
| 2004/0083975 | A1 | 5/2004 | Tong et al. | 2005/0051093 | A1 | 3/2005 | Makino et al. |
| 2004/0087141 | A1 | 5/2004 | Ramanathan et al. | 2005/0054228 | A1 | 3/2005 | March |
| 2004/0089236 | A1 | 5/2004 | Yokogawa et al. | 2005/0056218 | A1 | 3/2005 | Sun et al. |
| 2004/0092073 | A1 | 5/2004 | Cabral et al. | 2005/0056780 | A1 | 3/2005 | Miller et al. |
| 2004/0092120 | A1 | 5/2004 | Wicker | 2005/0059261 | A1 | 3/2005 | Basceri et al. |
| 2004/0094402 | A1 | 5/2004 | Gopalraja | 2005/0059262 | A1 | 3/2005 | Yin et al. |
| 2004/0099213 | A1 | 5/2004 | Adomaitis et al. | 2005/0059264 | A1 | 3/2005 | Cheung |
| 2004/0101622 | A1 | 5/2004 | Park et al. | 2005/0064207 | A1 | 3/2005 | Senzaki et al. |
| 2004/0103914 | A1 | 6/2004 | Cheng et al. | 2005/0064719 | A1 | 3/2005 | Liu |
| 2004/0105738 | A1 | 6/2004 | Ahn et al. | 2005/0066893 | A1 | 3/2005 | Soininen |
| 2004/0106249 | A1 | 6/2004 | Huotari | 2005/0069651 | A1 | 3/2005 | Miyoshi |
| 2004/0124131 | A1 | 7/2004 | Aitchison | 2005/0070123 | A1 | 3/2005 | Hirano |
| 2004/0124549 | A1 | 7/2004 | Curran | 2005/0070729 | A1 | 3/2005 | Kiyomori et al. |
| 2004/0126990 | A1 | 7/2004 | Ohta | 2005/0072357 | A1 | 4/2005 | Shero et al. |
| 2004/0127069 | A1 | 7/2004 | Yamazaki et al. | 2005/0074983 | A1 | 4/2005 | Shinriki et al. |
| 2004/0129211 | A1 | 7/2004 | Blonigan et al. | 2005/0092247 | A1 | 5/2005 | Schmidt |
| 2004/0129671 | A1 | 7/2004 | Ji et al. | 2005/0092249 | A1 | 5/2005 | Kilpela et al. |
| 2004/0134429 | A1 | 7/2004 | Yamanaka | 2005/0092733 | A1 | 5/2005 | Ito et al. |
| 2004/0142577 | A1 | 7/2004 | Sugawara et al. | 2005/0095770 | A1 | 5/2005 | Kumagai et al. |
| 2004/0144311 | A1 | 7/2004 | Chen | 2005/0095859 | A1 | 5/2005 | Chen et al. |
| 2004/0144980 | A1 | 7/2004 | Ahn et al. | 2005/0098107 | A1 | 5/2005 | Du Bois et al. |
| 2004/0146644 | A1 | 7/2004 | Xia et al. | 2005/0100669 | A1 | 5/2005 | Kools et al. |
| 2004/0151844 | A1 | 8/2004 | Zhang et al. | 2005/0101154 | A1 | 5/2005 | Huang |
| 2004/0151845 | A1 | 8/2004 | Nguyen et al. | 2005/0101843 | A1 | 5/2005 | Quinn et al. |
| 2004/0152287 | A1 | 8/2004 | Sherrill et al. | 2005/0106893 | A1 | 5/2005 | Wilk |
| 2004/0159343 | A1 | 8/2004 | Shimbara et al. | 2005/0107627 | A1 | 5/2005 | Dussarrat et al. |
| 2004/0168627 | A1 | 9/2004 | Conley et al. | 2005/0109461 | A1 | 5/2005 | Sun |
| 2004/0169032 | A1 | 9/2004 | Murayama et al. | 2005/0110069 | A1 | 5/2005 | Kil et al. |
| 2004/0185177 | A1 | 9/2004 | Basceri et al. | 2005/0115946 | A1 | 6/2005 | Shim et al. |
| 2004/0187777 | A1 | 9/2004 | Okamoto et al. | 2005/0118804 | A1 | 6/2005 | Byun et al. |
| 2004/0187784 | A1 | 9/2004 | Sferlazzo | 2005/0118837 | A1 | 6/2005 | Todd |
| 2004/0187790 | A1 | 9/2004 | Bader | 2005/0120805 | A1 | 6/2005 | Lane |
| 2004/0187928 | A1 | 9/2004 | Ambrosin | 2005/0120962 | A1 | 6/2005 | Ushioda et al. |
| 2004/0198069 | A1 | 10/2004 | Metzner et al. | 2005/0123690 | A1 | 6/2005 | Derderian et al. |
| 2004/0200499 | A1 | 10/2004 | Harvey et al. | 2005/0130427 | A1 | 6/2005 | Seok-Jun |
| 2004/0202786 | A1 | 10/2004 | Wongsenakhum et al. | 2005/0132957 | A1 | 6/2005 | El-Raghy |
| 2004/0203251 | A1 | 10/2004 | Kawaguchi et al. | 2005/0133161 | A1 | 6/2005 | Carpenter et al. |
| 2004/0206305 | A1 | 10/2004 | Choi et al. | 2005/0141591 | A1 | 6/2005 | Sakano |
| 2004/0209477 | A1 | 10/2004 | Buxbaum et al. | 2005/0142361 | A1 | 6/2005 | Nakanishi |
| 2004/0211357 | A1 | 10/2004 | Gadgil | 2005/0145338 | A1 | 7/2005 | Park et al. |
| 2004/0212947 | A1 | 10/2004 | Nguyen | 2005/0148162 | A1 | 7/2005 | Chen et al. |
| | | | | 2005/0153571 | A1 | 7/2005 | Senzaki |
| | | | | 2005/0161434 | A1 | 7/2005 | Sugawara et al. |
| | | | | 2005/0172895 | A1 | 8/2005 | Kijima et al. |
| | | | | 2005/0173003 | A1 | 8/2005 | Laverdiere et al. |

(56)

References Cited

U.S. PATENT DOCUMENTS

| | | | | | | | |
|--------------|----|---------|------------------------|--------------|----|---------|------------------------|
| 2005/0175789 | A1 | 8/2005 | Helms | 2006/0060930 | A1 | 3/2006 | Metz et al. |
| 2005/0181535 | A1 | 8/2005 | Yun et al. | 2006/0062910 | A1 | 3/2006 | Meiere |
| 2005/0181555 | A1 | 8/2005 | Hauka et al. | 2006/0063346 | A1 | 3/2006 | Lee et al. |
| 2005/0183827 | A1 | 8/2005 | White et al. | 2006/0068104 | A1 | 3/2006 | Ishizaka |
| 2005/0186688 | A1 | 8/2005 | Basceri | 2006/0068121 | A1 | 3/2006 | Lee et al. |
| 2005/0187647 | A1 | 8/2005 | Wang et al. | 2006/0068125 | A1 | 3/2006 | Radhakrishnan |
| 2005/0191828 | A1 | 9/2005 | Al-Bayati et al. | 2006/0087638 | A1 | 4/2006 | Hirayanagi |
| 2005/0193948 | A1 | 9/2005 | Oohirabaru et al. | 2006/0096540 | A1 | 5/2006 | Choi |
| 2005/0199013 | A1 | 9/2005 | Vandroux et al. | 2006/0099782 | A1 | 5/2006 | Ritenour |
| 2005/0208217 | A1 | 9/2005 | Shinriki et al. | 2006/0105566 | A1 | 5/2006 | Waldfried et al. |
| 2005/0208219 | A1 | 9/2005 | Basceri | 2006/0107898 | A1 | 5/2006 | Blomberg |
| 2005/0208718 | A1 | 9/2005 | Lim et al. | 2006/0108221 | A1 | 5/2006 | Goodwin et al. |
| 2005/0211167 | A1 | 9/2005 | Gunji | 2006/0110934 | A1 | 5/2006 | Fukuchi |
| 2005/0212119 | A1 | 9/2005 | Shero | 2006/0113038 | A1 | 6/2006 | Gondhalekar et al. |
| 2005/0214457 | A1 | 9/2005 | Schmitt et al. | 2006/0113675 | A1 | 6/2006 | Chang et al. |
| 2005/0214458 | A1 | 9/2005 | Meiere | 2006/0113806 | A1 | 6/2006 | Tsuji et al. |
| 2005/0208778 | A1 | 10/2005 | Li | 2006/0127067 | A1 | 6/2006 | Wintenberger et al. |
| 2005/0218462 | A1 | 10/2005 | Ahn et al. | 2006/0128142 | A1 | 6/2006 | Whelan et al. |
| 2005/0221021 | A1 | 10/2005 | Strang | 2006/0128168 | A1 | 6/2006 | Ahn et al. |
| 2005/0221618 | A1 | 10/2005 | AmRhein et al. | 2006/0130767 | A1 | 6/2006 | Herchen |
| 2005/0223982 | A1 | 10/2005 | Park et al. | 2006/0137608 | A1 | 6/2006 | Choi et al. |
| 2005/0223994 | A1 | 10/2005 | Blomiley et al. | 2006/0137609 | A1 | 6/2006 | Puchacz et al. |
| 2005/0227502 | A1 | 10/2005 | Schmitt et al. | 2006/0141155 | A1 | 6/2006 | Gordon et al. |
| 2005/0229848 | A1 | 10/2005 | Shinriki | 2006/0147626 | A1 | 7/2006 | Blomberg |
| 2005/0229849 | A1 | 10/2005 | Silvetti et al. | 2006/0148180 | A1 | 7/2006 | Ahn et al. |
| 2005/0229972 | A1 | 10/2005 | Hoshi et al. | 2006/0151117 | A1 | 7/2006 | Kasanami et al. |
| 2005/0233477 | A1 | 10/2005 | Yamazaki et al. | 2006/0154424 | A1 | 7/2006 | Yang et al. |
| 2005/0241176 | A1 | 11/2005 | Shero et al. | 2006/0156981 | A1 | 7/2006 | Fondurulia |
| 2005/0241763 | A1 | 11/2005 | Huang et al. | 2006/0163612 | A1 | 7/2006 | Kouvetakis et al. |
| 2005/0245058 | A1 | 11/2005 | Lee et al. | 2006/0165892 | A1 | 7/2006 | Weidman |
| 2005/0249876 | A1 | 11/2005 | Kawahara et al. | 2006/0166428 | A1 | 7/2006 | Kamioka |
| 2005/0250340 | A1 | 11/2005 | Chen et al. | 2006/0172531 | A1 | 8/2006 | Lin et al. |
| 2005/0251990 | A1 | 11/2005 | Choi | 2006/0175669 | A1 | 8/2006 | Kim et al. |
| 2005/0252447 | A1 | 11/2005 | Zhao et al. | 2006/0177855 | A1 | 8/2006 | Utermohlen |
| 2005/0252449 | A1 | 11/2005 | Nguyen et al. | 2006/0182885 | A1 | 8/2006 | Lei et al. |
| 2005/0252455 | A1 | 11/2005 | Moriya et al. | 2006/0188360 | A1 | 8/2006 | Bonora et al. |
| 2005/0253061 | A1 | 11/2005 | Cameron et al. | 2006/0191555 | A1 | 8/2006 | Yoshida et al. |
| 2005/0255257 | A1 | 11/2005 | Choi et al. | 2006/0193979 | A1 | 8/2006 | Meiere et al. |
| 2005/0258280 | A1 | 11/2005 | Goto et al. | 2006/0196420 | A1 | 9/2006 | Ushakov et al. |
| 2005/0260347 | A1 | 11/2005 | Narwankar et al. | 2006/0199357 | A1 | 9/2006 | Wan et al. |
| 2005/0260850 | A1 | 11/2005 | Loke | 2006/0205194 | A1 | 9/2006 | Bauer |
| 2005/0263072 | A1 | 12/2005 | Balasubramanian et al. | 2006/0205223 | A1 | 9/2006 | Smayling |
| 2005/0263075 | A1 | 12/2005 | Wang et al. | 2006/0205231 | A1 | 9/2006 | Chou et al. |
| 2005/0263932 | A1 | 12/2005 | Heugel | 2006/0208215 | A1 | 9/2006 | Metzner et al. |
| 2005/0271812 | A1 | 12/2005 | Myo et al. | 2006/0211243 | A1 | 9/2006 | Ishizaka et al. |
| 2005/0271813 | A1 | 12/2005 | Kher et al. | 2006/0211259 | A1 | 9/2006 | Maes |
| 2005/0274323 | A1 | 12/2005 | Seidel et al. | 2006/0213439 | A1 | 9/2006 | Ishizaka |
| 2005/0277271 | A1 | 12/2005 | Beintner | 2006/0216942 | A1 | 9/2006 | Kim et al. |
| 2005/0282101 | A1 | 12/2005 | Adachi | 2006/0219169 | A1 | 10/2006 | Chen et al. |
| 2005/0284991 | A1 | 12/2005 | Saez | 2006/0223301 | A1 | 10/2006 | Vanhaelemeersch et al. |
| 2005/0285097 | A1 | 12/2005 | Shang et al. | 2006/0226117 | A1 | 10/2006 | Bertram et al. |
| 2005/0287725 | A1 | 12/2005 | Kitagawa | 2006/0228496 | A1 | 10/2006 | Choi |
| 2005/0287771 | A1 | 12/2005 | Seamons et al. | 2006/0228863 | A1 | 10/2006 | Zhang et al. |
| 2006/0000411 | A1 | 1/2006 | Seo | 2006/0228888 | A1 | 10/2006 | Lee et al. |
| 2006/0009044 | A1 | 1/2006 | Igeta et al. | 2006/0228898 | A1 | 10/2006 | Wajda et al. |
| 2006/0013674 | A1 | 1/2006 | Elliott et al. | 2006/0236934 | A1 | 10/2006 | Choi et al. |
| 2006/0013946 | A1 | 1/2006 | Park et al. | 2006/0240187 | A1 | 10/2006 | Weidman |
| 2006/0014384 | A1 | 1/2006 | Lee et al. | 2006/0240574 | A1 | 10/2006 | Yoshie |
| 2006/0014397 | A1 | 1/2006 | Seamons et al. | 2006/0240662 | A1 | 10/2006 | Conley et al. |
| 2006/0016783 | A1 | 1/2006 | Wu et al. | 2006/0249253 | A1 | 11/2006 | Dando |
| 2006/0019033 | A1 | 1/2006 | Muthukrishnan et al. | 2006/0251827 | A1 | 11/2006 | Nowak |
| 2006/0019502 | A1 | 1/2006 | Park et al. | 2006/0252228 | A1 | 11/2006 | Jeng |
| 2006/0021572 | A1 | 2/2006 | Wolden | 2006/0252351 | A1 | 11/2006 | Kundracik |
| 2006/0021573 | A1 | 2/2006 | Monsma et al. | 2006/0257563 | A1 | 11/2006 | Doh et al. |
| 2006/0021703 | A1 | 2/2006 | Umotoy et al. | 2006/0257584 | A1 | 11/2006 | Derderian et al. |
| 2006/0024439 | A2 | 2/2006 | Tuominen et al. | 2006/0258078 | A1 | 11/2006 | Lee et al. |
| 2006/0026314 | A1 | 2/2006 | Franchuk et al. | 2006/0258173 | A1 | 11/2006 | Xiao et al. |
| 2006/0040054 | A1 | 2/2006 | Pearlstein et al. | 2006/0260545 | A1 | 11/2006 | Ramaswamy et al. |
| 2006/0040508 | A1 | 2/2006 | Ji | 2006/0263522 | A1 | 11/2006 | Byun |
| 2006/0046518 | A1 | 3/2006 | Hill et al. | 2006/0264060 | A1 | 11/2006 | Ramaswamy et al. |
| 2006/0048710 | A1 | 3/2006 | Horiguchi et al. | 2006/0264066 | A1 | 11/2006 | Bartholomew |
| 2006/0051520 | A1 | 3/2006 | Behle et al. | 2006/0266289 | A1 | 11/2006 | Verghese et al. |
| 2006/0051925 | A1 | 3/2006 | Ahn et al. | 2006/0269690 | A1 | 11/2006 | Watanabe et al. |
| 2006/0057799 | A1 | 3/2006 | Horiguchi et al. | 2006/0269692 | A1 | 11/2006 | Balseanu |
| 2006/0057828 | A1 | 3/2006 | Omura | 2006/0275710 | A1 | 12/2006 | Yamazaki et al. |
| | | | | 2006/0275933 | A1 | 12/2006 | Du Bois et al. |
| | | | | 2006/0278524 | A1 | 12/2006 | Stowell |
| | | | | 2006/0283629 | A1 | 12/2006 | Kikuchi et al. |
| | | | | 2006/0286774 | A1 | 12/2006 | Singh et al. |

(56)

References Cited

U.S. PATENT DOCUMENTS

| | | | | | | | |
|--------------|----|---------|---------------------|--------------|----|---------|------------------------|
| 2006/0286775 | A1 | 12/2006 | Singh et al. | 2007/0163625 | A1 | 7/2007 | Lee |
| 2006/0286817 | A1 | 12/2006 | Kato et al. | 2007/0166457 | A1 | 7/2007 | Yamoto et al. |
| 2006/0286818 | A1 | 12/2006 | Wang et al. | 2007/0166966 | A1 | 7/2007 | Todd et al. |
| 2006/0286819 | A1 | 12/2006 | Seutter | 2007/0166999 | A1 | 7/2007 | Vaarstra |
| 2006/0291982 | A1 | 12/2006 | Tanaka | 2007/0173071 | A1 | 7/2007 | Afzali-Ardakani et al. |
| 2007/0006806 | A1 | 1/2007 | Imai | 2007/0175393 | A1 | 8/2007 | Nishimura et al. |
| 2007/0010072 | A1 | 1/2007 | Bailey et al. | 2007/0175397 | A1 | 8/2007 | Tomiyasu et al. |
| 2007/0012402 | A1 | 1/2007 | Sneh | 2007/0178235 | A1 | 8/2007 | Yamada et al. |
| 2007/0020160 | A1 | 1/2007 | Berkman et al. | 2007/0184179 | A1 | 8/2007 | Waghray et al. |
| 2007/0020167 | A1 | 1/2007 | Han et al. | 2007/0186849 | A1 | 8/2007 | Furuya |
| 2007/0020830 | A1 | 1/2007 | Speranza | 2007/0186952 | A1 | 8/2007 | Honda et al. |
| 2007/0020953 | A1 | 1/2007 | Tsai et al. | 2007/0187363 | A1 | 8/2007 | Oka et al. |
| 2007/0022954 | A1 | 2/2007 | Iizuka et al. | 2007/0190362 | A1 | 8/2007 | Weidman |
| 2007/0026148 | A1 | 2/2007 | Arai et al. | 2007/0190782 | A1 | 8/2007 | Park |
| 2007/0026162 | A1 | 2/2007 | Wei et al. | 2007/0202678 | A1 | 8/2007 | Plombon et al. |
| 2007/0028842 | A1 | 2/2007 | Inagawa et al. | 2007/0207275 | A1 | 9/2007 | Nowak et al. |
| 2007/0031598 | A1 | 2/2007 | Okuyama et al. | 2007/0209590 | A1 | 9/2007 | Li |
| 2007/0031599 | A1 | 2/2007 | Gschwandtner et al. | 2007/0210890 | A1 | 9/2007 | Hsu et al. |
| 2007/0032045 | A1 | 2/2007 | Kasahara et al. | 2007/0215048 | A1 | 9/2007 | Suzuki et al. |
| 2007/0032082 | A1 | 2/2007 | Ramaswamy et al. | 2007/0218200 | A1 | 9/2007 | Suzuki et al. |
| 2007/0034477 | A1 | 2/2007 | Inui | 2007/0218705 | A1 | 9/2007 | Matsuki et al. |
| 2007/0037343 | A1 | 2/2007 | Colombo et al. | 2007/0224777 | A1 | 9/2007 | Hamelin |
| 2007/0037412 | A1 | 2/2007 | Dip et al. | 2007/0224833 | A1 | 9/2007 | Morisada et al. |
| 2007/0042117 | A1 | 2/2007 | Kupurao et al. | 2007/0231488 | A1 | 10/2007 | Von Kaenel |
| 2007/0049053 | A1 | 3/2007 | Mahajani | 2007/0232031 | A1 | 10/2007 | Singh et al. |
| 2007/0051299 | A1 | 3/2007 | Ong et al. | 2007/0232071 | A1 | 10/2007 | Balseanu et al. |
| 2007/0054499 | A1 | 3/2007 | Jang | 2007/0232501 | A1 | 10/2007 | Tomomura |
| 2007/0056843 | A1 | 3/2007 | Ye et al. | 2007/0234955 | A1 | 10/2007 | Suzuki et al. |
| 2007/0056850 | A1 | 3/2007 | Ye et al. | 2007/0237697 | A1 | 10/2007 | Clark |
| 2007/0059948 | A1 | 3/2007 | Metzner et al. | 2007/0237698 | A1 | 10/2007 | Clark |
| 2007/0062439 | A1 | 3/2007 | Wada et al. | 2007/0237699 | A1 | 10/2007 | Clark |
| 2007/0062453 | A1 | 3/2007 | Ishikawa | 2007/0241688 | A1 | 10/2007 | DeVancentis et al. |
| 2007/0062646 | A1 | 3/2007 | Ogawa et al. | 2007/0248767 | A1 | 10/2007 | Okura |
| 2007/0065578 | A1 | 3/2007 | McDougall | 2007/0249131 | A1 | 10/2007 | Allen et al. |
| 2007/0066010 | A1 | 3/2007 | Ando | 2007/0252532 | A1 | 10/2007 | DeVancentis et al. |
| 2007/0066038 | A1 | 3/2007 | Sadjadi et al. | 2007/0251444 | A1 | 11/2007 | Gros-Jean et al. |
| 2007/0066079 | A1 | 3/2007 | Kolster et al. | 2007/0251456 | A1 | 11/2007 | Herchen et al. |
| 2007/0066084 | A1 | 3/2007 | Wajda et al. | 2007/0252233 | A1 | 11/2007 | Yamazaki et al. |
| 2007/0077355 | A1 | 4/2007 | Chacin et al. | 2007/0252244 | A1 | 11/2007 | Srividya et al. |
| 2007/0082132 | A1 | 4/2007 | Shinriki | 2007/0258506 | A1 | 11/2007 | Schwagerman et al. |
| 2007/0082500 | A1 | 4/2007 | Norman et al. | 2007/0258855 | A1 | 11/2007 | Turcot et al. |
| 2007/0084405 | A1 | 4/2007 | Kim | 2007/0261868 | A1 | 11/2007 | Gross |
| 2007/0087296 | A1 | 4/2007 | Kim et al. | 2007/0264807 | A1 | 11/2007 | Leone et al. |
| 2007/0087579 | A1 | 4/2007 | Kitayama et al. | 2007/0266945 | A1 | 11/2007 | Shuto et al. |
| 2007/0089670 | A1 | 4/2007 | Ikedo | 2007/0269983 | A1 | 11/2007 | Sneh |
| 2007/0095283 | A1 | 5/2007 | Galewski | 2007/0275166 | A1 | 11/2007 | Thridandam et al. |
| 2007/0095286 | A1 | 5/2007 | Baek et al. | 2007/0277735 | A1 | 12/2007 | Mokhesi et al. |
| 2007/0096194 | A1 | 5/2007 | Streck et al. | 2007/0281082 | A1 | 12/2007 | Mokhesi et al. |
| 2007/0098527 | A1 | 5/2007 | Hall et al. | 2007/0281105 | A1 | 12/2007 | Mokhesi et al. |
| 2007/0107845 | A1 | 5/2007 | Ishizawa et al. | 2007/0281496 | A1 | 12/2007 | Ingle et al. |
| 2007/0111470 | A1 | 5/2007 | Smythe | 2007/0292974 | A1 | 12/2007 | Mizuno et al. |
| 2007/0111545 | A1 | 5/2007 | Lee et al. | 2007/0295602 | A1 | 12/2007 | Tiller et al. |
| 2007/0116873 | A1 | 5/2007 | Li et al. | 2007/0298362 | A1 | 12/2007 | Rocha-Alvarez et al. |
| 2007/0116888 | A1 | 5/2007 | Faguet | 2008/0003824 | A1 | 1/2008 | Padhi et al. |
| 2007/0119370 | A1 | 5/2007 | Ma et al. | 2008/0003838 | A1 | 1/2008 | Hauldca et al. |
| 2007/0123037 | A1 | 5/2007 | Lee et al. | 2008/0006208 | A1 | 1/2008 | Ueno et al. |
| 2007/0123189 | A1 | 5/2007 | Saito et al. | 2008/0018004 | A1 | 1/2008 | Steidl |
| 2007/0125762 | A1 | 6/2007 | Cui et al. | 2008/0020591 | A1 | 1/2008 | Balseanu et al. |
| 2007/0128538 | A1 | 6/2007 | Fairbairn et al. | 2008/0020593 | A1 | 1/2008 | Wang et al. |
| 2007/0128858 | A1 | 6/2007 | Haukka et al. | 2008/0023436 | A1 | 1/2008 | Gros-Jean et al. |
| 2007/0128876 | A1 | 6/2007 | Fukiage | 2008/0026162 | A1 | 1/2008 | Dickey et al. |
| 2007/0128888 | A1 | 6/2007 | Goto et al. | 2008/0026574 | A1 | 1/2008 | Brcka |
| 2007/0129621 | A1 | 6/2007 | Kellogg et al. | 2008/0026597 | A1 | 1/2008 | Munro et al. |
| 2007/0131168 | A1 | 6/2007 | Gomi et al. | 2008/0029790 | A1 | 2/2008 | Ahn et al. |
| 2007/0134919 | A1 | 6/2007 | Gunji et al. | 2008/0031708 | A1 | 2/2008 | Bonora et al. |
| 2007/0134942 | A1 | 6/2007 | Ahn et al. | 2008/0036354 | A1 | 2/2008 | Letz et al. |
| 2007/0137794 | A1 | 6/2007 | Qiu et al. | 2008/0038485 | A1 | 2/2008 | Lukas |
| 2007/0146621 | A1 | 6/2007 | Yeom | 2008/0038934 | A1 | 2/2008 | Vrtis et al. |
| 2007/0148347 | A1 | 6/2007 | Hatanpaa et al. | 2008/0042165 | A1 | 2/2008 | Sugizaki |
| 2007/0148350 | A1 | 6/2007 | Rahtu | 2008/0043803 | A1 | 2/2008 | Bandoh |
| 2007/0148990 | A1 | 6/2007 | Deboer et al. | 2008/0044938 | A1 | 2/2008 | England et al. |
| 2007/0155138 | A1 | 7/2007 | Tomasini et al. | 2008/0050536 | A1 | 2/2008 | Aing et al. |
| 2007/0157466 | A1 | 7/2007 | Kida et al. | 2008/0050538 | A1 | 2/2008 | Hirata |
| 2007/0158026 | A1 | 7/2007 | Amikura | 2008/0054332 | A1 | 3/2008 | Kim et al. |
| 2007/0163440 | A1 | 7/2007 | Kim et al. | 2008/0054813 | A1 | 3/2008 | Espiau et al. |
| | | | | 2008/0056860 | A1 | 3/2008 | Natume |
| | | | | 2008/0057659 | A1 | 3/2008 | Forbes et al. |
| | | | | 2008/0061667 | A1 | 3/2008 | Gaertner et al. |
| | | | | 2008/0063798 | A1 | 3/2008 | Kher et al. |

(56)

References Cited

| U.S. PATENT DOCUMENTS | | | 2008/0257102 A1 | 10/2008 | Packer |
|-----------------------|---------|---|------------------|---------|---|
| | | | 2008/0257494 A1 | 10/2008 | Hayashi et al. |
| | | | 2008/0260345 A1* | 10/2008 | Mertesdorf G02B 6/3897 385/137 |
| 2008/0066778 A1 | 3/2008 | Matsushita et al. | 2008/0260963 A1 | 10/2008 | Yoon et al. |
| 2008/0067146 A1 | 3/2008 | Onishi et al. | 2008/0261413 A1 | 10/2008 | Mahajani |
| 2008/0069955 A1 | 3/2008 | Hong et al. | 2008/0264337 A1 | 10/2008 | Sano et al. |
| 2008/0075562 A1 | 3/2008 | Maria et al. | 2008/0267598 A1 | 10/2008 | Nakamura |
| 2008/0075881 A1 | 3/2008 | Won et al. | 2008/0268171 A1 | 10/2008 | Ma et al. |
| 2008/0076070 A1 | 3/2008 | Koh et al. | 2008/0268635 A1 | 10/2008 | Yu et al. |
| 2008/0076266 A1 | 3/2008 | Fukazawa et al. | 2008/0272424 A1 | 11/2008 | Kim et al. |
| 2008/0076281 A1* | 3/2008 | Ciancanelli H01R 13/6275 439/133 | 2008/0274369 A1 | 11/2008 | Lee et al. |
| | | | 2008/0277647 A1 | 11/2008 | Kouvetakis et al. |
| | | | 2008/0277715 A1 | 11/2008 | Ohmi et al. |
| 2008/0081104 A1 | 4/2008 | Hasebe et al. | 2008/0282970 A1 | 11/2008 | Heys et al. |
| 2008/0081113 A1 | 4/2008 | Clark | 2008/0283962 A1 | 11/2008 | Dyer |
| 2008/0081121 A1 | 4/2008 | Morita et al. | 2008/0289574 A1 | 11/2008 | Jacobs et al. |
| 2008/0085226 A1 | 4/2008 | Fondurulia et al. | 2008/0291964 A1 | 11/2008 | Shrimpling |
| 2008/0092815 A1 | 4/2008 | Chen et al. | 2008/0295872 A1 | 12/2008 | Riker et al. |
| 2008/0102203 A1 | 5/2008 | Wu | 2008/0298945 A1 | 12/2008 | Cox |
| 2008/0102205 A1 | 5/2008 | Barry et al. | 2008/0299326 A1 | 12/2008 | Fukazawa |
| 2008/0102208 A1 | 5/2008 | Wu et al. | 2008/0299758 A1 | 12/2008 | Harada et al. |
| 2008/0113094 A1 | 5/2008 | Casper | 2008/0302303 A1 | 12/2008 | Choi et al. |
| 2008/0113096 A1 | 5/2008 | Mahajani | 2008/0305014 A1 | 12/2008 | Honda |
| 2008/0113097 A1 | 5/2008 | Mahajani et al. | 2008/0305246 A1 | 12/2008 | Choi et al. |
| 2008/0118334 A1 | 5/2008 | Bonora | 2008/0305443 A1 | 12/2008 | Nakamura |
| 2008/0121177 A1 | 5/2008 | Bang et al. | 2008/0315292 A1 | 12/2008 | Ji et al. |
| 2008/0121626 A1 | 5/2008 | Thomas et al. | 2008/0317972 A1 | 12/2008 | Hendriks |
| 2008/0124197 A1 | 5/2008 | van der Meulen et al. | 2009/0000550 A1 | 1/2009 | Tran et al. |
| 2008/0124908 A1 | 5/2008 | Forbes et al. | 2009/0000551 A1 | 1/2009 | Choi et al. |
| 2008/0124945 A1 | 5/2008 | Miya et al. | 2009/0000769 A1 | 1/2009 | Lin et al. |
| 2008/0124946 A1 | 5/2008 | Xiao et al. | 2009/0004875 A1 | 1/2009 | Shen et al. |
| 2008/0128726 A1 | 6/2008 | Sakata et al. | 2009/0011145 A1 | 1/2009 | Yun |
| 2008/0132046 A1 | 6/2008 | Walther | 2009/0011608 A1 | 1/2009 | Nabatame |
| 2008/0133154 A1 | 6/2008 | Krauss et al. | 2009/0017631 A1 | 1/2009 | Bencher |
| 2008/0142483 A1 | 6/2008 | Hua | 2009/0020072 A1 | 1/2009 | Mizunaga et al. |
| 2008/0149031 A1 | 6/2008 | Chu et al. | 2009/0023229 A1 | 1/2009 | Matsushita |
| 2008/0149593 A1 | 6/2008 | Bai et al. | 2009/0029503 A1 | 1/2009 | Arai |
| 2008/0152463 A1 | 6/2008 | Chidambaram et al. | 2009/0029528 A1 | 1/2009 | Sanchez et al. |
| 2008/0153308 A1 | 6/2008 | Ogawa et al. | 2009/0029564 A1 | 1/2009 | Yamashita et al. |
| 2008/0153311 A1 | 6/2008 | Padhi et al. | 2009/0033907 A1 | 2/2009 | Watson |
| 2008/0157157 A1 | 7/2008 | Tonomura | 2009/0035927 A1 | 2/2009 | Olsen et al. |
| 2008/0157365 A1 | 7/2008 | Ott et al. | 2009/0035947 A1 | 2/2009 | Horii |
| 2008/0173237 A1 | 7/2008 | Collins | 2009/0041952 A1 | 2/2009 | Yoon et al. |
| 2008/0173238 A1 | 7/2008 | Nakashima et al. | 2009/0041984 A1 | 2/2009 | Mayers et al. |
| 2008/0173240 A1 | 7/2008 | Furukawahara | 2009/0042344 A1 | 2/2009 | Ye et al. |
| 2008/0173326 A1 | 7/2008 | Gu et al. | 2009/0042408 A1 | 2/2009 | Maeda |
| 2008/0176335 A1 | 7/2008 | Alberti et al. | 2009/0045829 A1 | 2/2009 | Awazu |
| 2008/0176375 A1 | 7/2008 | Erben et al. | 2009/0047433 A1 | 2/2009 | Kim et al. |
| 2008/0176412 A1 | 7/2008 | Komeda | 2009/0050621 A1 | 2/2009 | Awazu |
| 2008/0178805 A1 | 7/2008 | Paterson et al. | 2009/0052498 A1 | 2/2009 | Halpin et al. |
| 2008/0179104 A1 | 7/2008 | Zhang | 2009/0053023 A1 | 2/2009 | Wakabayashi |
| 2008/0179715 A1 | 7/2008 | Coppa | 2009/0053900 A1 | 2/2009 | Nozawa et al. |
| 2008/0182075 A1 | 7/2008 | Chopra | 2009/0053906 A1 | 2/2009 | Miya et al. |
| 2008/0182390 A1 | 7/2008 | Lemmi et al. | 2009/0056112 A1 | 3/2009 | Kobayashi |
| 2008/0182411 A1 | 7/2008 | Elers | 2009/0056629 A1 | 3/2009 | Katz et al. |
| 2008/0191193 A1 | 8/2008 | Li et al. | 2009/0057269 A1 | 3/2009 | Katz et al. |
| 2008/0193643 A1 | 8/2008 | Dip | 2009/0061083 A1 | 3/2009 | Chiang et al. |
| 2008/0194105 A1 | 8/2008 | Dominguez et al. | 2009/0061644 A1 | 3/2009 | Chiang et al. |
| 2008/0199977 A1 | 8/2008 | Weigel et al. | 2009/0061647 A1 | 3/2009 | Mallick et al. |
| 2008/0202416 A1 | 8/2008 | Provencher | 2009/0075491 A1 | 3/2009 | Liu et al. |
| 2008/0202689 A1 | 8/2008 | Kim | 2009/0084317 A1 | 4/2009 | Wu |
| 2008/0203487 A1 | 8/2008 | Hohage et al. | 2009/0085156 A1 | 4/2009 | Dewey et al. |
| 2008/0205483 A1 | 8/2008 | Rempe et al. | 2009/0087585 A1 | 4/2009 | Lee et al. |
| 2008/0210278 A1 | 9/2008 | Orii et al. | 2009/0090382 A1 | 4/2009 | Morisada |
| 2008/0211423 A1 | 9/2008 | Shinmen et al. | 2009/0093094 A1 | 4/2009 | Ye et al. |
| 2008/0211526 A1 | 9/2008 | Shinma | 2009/0095221 A1 | 4/2009 | Tam et al. |
| 2008/0216077 A1 | 9/2008 | Emani et al. | 2009/0104351 A1 | 4/2009 | Kakegawa |
| 2008/0216742 A1 | 9/2008 | Takebayashi | 2009/0104594 A1 | 4/2009 | Webb |
| 2008/0220619 A1 | 9/2008 | Matsushita et al. | 2009/0104789 A1 | 4/2009 | Mallick et al. |
| 2008/0223130 A1 | 9/2008 | Snell et al. | 2009/0107404 A1 | 4/2009 | Ogliari et al. |
| 2008/0224240 A1 | 9/2008 | Ahn et al. | 2009/0108308 A1 | 4/2009 | Yang et al. |
| 2008/0228306 A1 | 9/2008 | Yeller et al. | 2009/0112458 A1 | 4/2009 | Nakai |
| 2008/0233288 A1 | 9/2008 | Clark | 2009/0115064 A1 | 5/2009 | Sandhu et al. |
| 2008/0237572 A1 | 10/2008 | Chui et al. | 2009/0116936 A1 | 5/2009 | Marubayashi et al. |
| 2008/0241052 A1 | 10/2008 | Hooper et al. | 2009/0117717 A1 | 5/2009 | Tomasini et al. |
| 2008/0241384 A1 | 10/2008 | Jeong | 2009/0120580 A1 | 5/2009 | Kagoshima et al. |
| 2008/0241387 A1 | 10/2008 | Keto | 2009/0122293 A1 | 5/2009 | Shibazaki |
| 2008/0242116 A1 | 10/2008 | Clark | 2009/0122458 A1 | 5/2009 | Lischer et al. |
| 2008/0248310 A1 | 10/2008 | Kim et al. | | | |

(56)

References Cited

U.S. PATENT DOCUMENTS

| | | | | | | | |
|--------------|----|---------|--------------------|--------------|----|--------|---------------------|
| 2009/0124131 | A1 | 5/2009 | Breunsbach et al. | 2010/0006923 | A1 | 1/2010 | Fujitsuka |
| 2009/0130331 | A1 | 5/2009 | Asai | 2010/0014479 | A1 | 1/2010 | Kim |
| 2009/0130859 | A1 | 5/2009 | Itatani et al. | 2010/0015813 | A1 | 1/2010 | McGinnis et al. |
| 2009/0136668 | A1 | 5/2009 | Gregg et al. | 2010/0018460 | A1 | 1/2010 | Singh et al. |
| 2009/0136683 | A1 | 5/2009 | Fukasawa et al. | 2010/0024727 | A1 | 2/2010 | Kim et al. |
| 2009/0137055 | A1 | 5/2009 | Bognar | 2010/0024872 | A1 | 2/2010 | Kishimoto |
| 2009/0139657 | A1 | 6/2009 | Lee et al. | 2010/0025766 | A1 | 2/2010 | Nuttinck et al. |
| 2009/0142905 | A1 | 6/2009 | Yamazaki | 2010/0025796 | A1 | 2/2010 | Dabiran |
| 2009/0142935 | A1 | 6/2009 | Fukazawa et al. | 2010/0032587 | A1 | 2/2010 | Hosch et al. |
| 2009/0146322 | A1 | 6/2009 | Weling et al. | 2010/0032842 | A1 | 2/2010 | Herd et al. |
| 2009/0155488 | A1 | 6/2009 | Nakano et al. | 2010/0034719 | A1 | 2/2010 | Dussarrat et al. |
| 2009/0156015 | A1 | 6/2009 | Park et al. | 2010/0040441 | A1 | 2/2010 | Obikane |
| 2009/0159000 | A1 | 6/2009 | Aggarwal et al. | 2010/0041179 | A1 | 2/2010 | Lee |
| 2009/0159002 | A1 | 6/2009 | Bera et al. | 2010/0041243 | A1 | 2/2010 | Cheng et al. |
| 2009/0159424 | A1 | 6/2009 | Liu et al. | 2010/0050943 | A1 | 3/2010 | Kato et al. |
| 2009/0162996 | A1 | 6/2009 | Ramaswamy et al. | 2010/0051584 | A1 | 3/2010 | Okita et al. |
| 2009/0163038 | A1 | 6/2009 | Miyoshi | 2010/0051597 | A1 | 3/2010 | Morita et al. |
| 2009/0165715 | A1 | 7/2009 | Oh | 2010/0055312 | A1 | 3/2010 | Kato et al. |
| 2009/0165721 | A1 | 7/2009 | Pitney et al. | 2010/0055316 | A1 | 3/2010 | Honma |
| 2009/0165722 | A1 | 7/2009 | Ha | 2010/0055442 | A1 | 3/2010 | Kellock |
| 2009/0166616 | A1 | 7/2009 | Uchiyama | 2010/0055898 | A1 | 3/2010 | Chang et al. |
| 2009/0179365 | A1 | 7/2009 | Lerner et al. | 2010/0058984 | A1 | 3/2010 | Marubayashi |
| 2009/0186571 | A1 | 7/2009 | Haro | 2010/0065758 | A1 | 3/2010 | Liu et al. |
| 2009/0197015 | A1 | 8/2009 | Kudela et al. | 2010/0068009 | A1 | 3/2010 | Kimura |
| 2009/0197411 | A1 | 8/2009 | Dussarrat et al. | 2010/0068891 | A1 | 3/2010 | Hatanaka et al. |
| 2009/0200494 | A1 | 8/2009 | Hatem | 2010/0075037 | A1 | 3/2010 | Marsh et al. |
| 2009/0200547 | A1 | 8/2009 | Griffin et al. | 2010/0075507 | A1 | 3/2010 | Chang et al. |
| 2009/0204403 | A1 | 8/2009 | Hollander et al. | 2010/0081094 | A1 | 4/2010 | Hasebe et al. |
| 2009/0206056 | A1 | 8/2009 | Xu | 2010/0086703 | A1 | 4/2010 | Mangum et al. |
| 2009/0209081 | A1 | 8/2009 | Matero | 2010/0089320 | A1 | 4/2010 | Kim |
| 2009/0211523 | A1 | 8/2009 | Kuppurao et al. | 2010/0089870 | A1 | 4/2010 | Hiroshima et al. |
| 2009/0211525 | A1 | 8/2009 | Sarigiannis et al. | 2010/0090149 | A1 | 4/2010 | Thompson et al. |
| 2009/0223441 | A1 | 9/2009 | Arena et al. | 2010/0092696 | A1 | 4/2010 | Shinriki |
| 2009/0227094 | A1 | 9/2009 | Bateman | 2010/0093187 | A1 | 4/2010 | Lee et al. |
| 2009/0230211 | A1 | 9/2009 | Kobayashi et al. | 2010/0098862 | A1 | 4/2010 | Xu et al. |
| 2009/0236014 | A1 | 9/2009 | Wilson | 2010/0102417 | A1 | 4/2010 | Ganguli et al. |
| 2009/0236276 | A1 | 9/2009 | Kurth et al. | 2010/0105936 | A1 | 4/2010 | Tada |
| 2009/0239386 | A1 | 9/2009 | Suzaki et al. | 2010/0111648 | A1 | 5/2010 | Tamura et al. |
| 2009/0242957 | A1 | 10/2009 | Ma et al. | 2010/0112496 | A1 | 5/2010 | Nakajima et al. |
| 2009/0246374 | A1 | 10/2009 | Vukovic | 2010/0116207 | A1 | 5/2010 | Givens |
| 2009/0246399 | A1 | 10/2009 | Goundar | 2010/0116209 | A1 | 5/2010 | Kato |
| 2009/0246971 | A1 | 10/2009 | Reid et al. | 2010/0119439 | A1 | 5/2010 | Shindou |
| 2009/0250004 | A1 | 10/2009 | Yamada et al. | 2010/0124610 | A1 | 5/2010 | Aikawa et al. |
| 2009/0250955 | A1 | 10/2009 | Aoki | 2010/0124618 | A1 | 5/2010 | Kobayashi et al. |
| 2009/0255901 | A1 | 10/2009 | Okita | 2010/0124621 | A1 | 5/2010 | Kobayashi et al. |
| 2009/0261331 | A1 | 10/2009 | Yang et al. | 2010/0126415 | A1 | 5/2010 | Ishino et al. |
| 2009/0267225 | A1 | 10/2009 | Eguchi | 2010/0126539 | A1 | 5/2010 | Lee et al. |
| 2009/0269506 | A1 | 10/2009 | Okura et al. | 2010/0126605 | A1 | 5/2010 | Stones |
| 2009/0269507 | A1 | 10/2009 | Yu et al. | 2010/0129548 | A1 | 5/2010 | Sneh |
| 2009/0269941 | A1 | 10/2009 | Raisanen | 2010/0129990 | A1 | 5/2010 | Nishizawa et al. |
| 2009/0275205 | A1 | 11/2009 | Kiehlbauch et al. | 2010/0130015 | A1 | 5/2010 | Nakajima et al. |
| 2009/0275210 | A1 | 11/2009 | Shanker et al. | 2010/0130017 | A1 | 5/2010 | Luo et al. |
| 2009/0277510 | A1 | 11/2009 | Shikata | 2010/0130105 | A1 | 5/2010 | Lee |
| 2009/0280248 | A1 | 11/2009 | Goodman et al. | 2010/0134023 | A1 | 6/2010 | Mills |
| 2009/0283041 | A1 | 11/2009 | Tomiyasu et al. | 2010/0136216 | A1 | 6/2010 | Tsuei et al. |
| 2009/0283217 | A1 | 11/2009 | Lubomirsky et al. | 2010/0140221 | A1 | 6/2010 | Kikuchi et al. |
| 2009/0284156 | A1 | 11/2009 | Hanna et al. | 2010/0140684 | A1 | 6/2010 | Ozawa |
| 2009/0286400 | A1 | 11/2009 | Heo et al. | 2010/0143609 | A1 | 6/2010 | Fukazawa et al. |
| 2009/0286402 | A1 | 11/2009 | Xia et al. | 2010/0144162 | A1 | 6/2010 | Lee et al. |
| 2009/0289300 | A1 | 11/2009 | Sasaki et al. | 2010/0144968 | A1 | 6/2010 | Lee et al. |
| 2009/0298257 | A1 | 12/2009 | Lee et al. | 2010/0145547 | A1 | 6/2010 | Darabnia et al. |
| 2009/0302434 | A1 | 12/2009 | Pallem et al. | 2010/0151206 | A1 | 6/2010 | Wu et al. |
| 2009/0304558 | A1 | 12/2009 | Patton | 2010/0159638 | A1 | 6/2010 | Jeong |
| 2009/0308315 | A1 | 12/2009 | de Ridder | 2010/0159707 | A1 | 6/2010 | Huang et al. |
| 2009/0308425 | A1 | 12/2009 | Yednak | 2010/0162752 | A1 | 7/2010 | Tabata et al. |
| 2009/0311857 | A1 | 12/2009 | Todd et al. | 2010/0162956 | A1 | 7/2010 | Murakami et al. |
| 2009/0315093 | A1 | 12/2009 | Li et al. | 2010/0163524 | A1 | 7/2010 | Arai |
| 2009/0320754 | A1 | 12/2009 | Oya | 2010/0163937 | A1 | 7/2010 | Clendenning |
| 2009/0324971 | A1 | 12/2009 | De Vries et al. | 2010/0166630 | A1 | 7/2010 | Gu et al. |
| 2009/0324989 | A1 | 12/2009 | Witz et al. | 2010/0168404 | A1 | 7/2010 | Girolami et al. |
| 2009/0325391 | A1 | 12/2009 | De Vusser et al. | 2010/0170441 | A1 | 7/2010 | Won et al. |
| 2009/0325469 | A1 | 12/2009 | Koo et al. | 2010/0170868 | A1 | 7/2010 | Lin et al. |
| 2010/0001409 | A1 | 1/2010 | Humbert et al. | 2010/0173432 | A1 | 7/2010 | White et al. |
| 2010/0003406 | A1 | 1/2010 | Lam et al. | 2010/0178137 | A1 | 7/2010 | Chintalapati et al. |
| 2010/0006031 | A1 | 1/2010 | Choi et al. | 2010/0178423 | A1 | 7/2010 | Shimizu et al. |
| | | | | 2010/0180819 | A1 | 7/2010 | Hatanaka et al. |
| | | | | 2010/0183825 | A1 | 7/2010 | Becker et al. |
| | | | | 2010/0184302 | A1 | 7/2010 | Lee et al. |
| | | | | 2010/0186669 | A1 | 7/2010 | Shin et al. |

(56)

References Cited

U.S. PATENT DOCUMENTS

| | | | | | | | |
|--------------|----|---------|--------------------|--------------|----|---------|---------------------|
| 2010/0193501 | A1 | 8/2010 | Zucker et al. | 2011/0108929 | A1 | 5/2011 | Meng |
| 2010/0195392 | A1 | 8/2010 | Freeman | 2011/0117490 | A1 | 5/2011 | Bae et al. |
| 2010/0202860 | A1 | 8/2010 | Reed | 2011/0117492 | A1 | 5/2011 | Yamada et al. |
| 2010/0209598 | A1 | 8/2010 | Xu et al. | 2011/0117737 | A1 | 5/2011 | Agarwala et al. |
| 2010/0221452 | A1 | 9/2010 | Kang | 2011/0117749 | A1 | 5/2011 | Sheu |
| 2010/0229795 | A1 | 9/2010 | Tanabe | 2011/0124196 | A1 | 5/2011 | Lee |
| 2010/0230051 | A1 | 9/2010 | Iizuka | 2011/0139272 | A1 | 6/2011 | Matsumoto et al. |
| 2010/0230863 | A1 | 9/2010 | Moench et al. | 2011/0139748 | A1 | 6/2011 | Donnelly et al. |
| 2010/0233885 | A1 | 9/2010 | Kushibiki et al. | 2011/0140172 | A1 | 6/2011 | Chu |
| 2010/0233886 | A1 | 9/2010 | Yang et al. | 2011/0143032 | A1 | 6/2011 | Vrtis et al. |
| 2010/0236691 | A1 | 9/2010 | Yamazaki | 2011/0143461 | A1 | 6/2011 | Fish et al. |
| 2010/0243166 | A1 | 9/2010 | Hayashi et al. | 2011/0159200 | A1 | 6/2011 | Kogure |
| 2010/0244688 | A1 | 9/2010 | Braun et al. | 2011/0159202 | A1 | 6/2011 | Matsushita |
| 2010/0248465 | A1 | 9/2010 | Yi et al. | 2011/0159673 | A1 | 6/2011 | Hanawa et al. |
| 2010/0255198 | A1 | 10/2010 | Cleary et al. | 2011/0159680 | A1 | 6/2011 | Yoo |
| 2010/0255218 | A1 | 10/2010 | Oka et al. | 2011/0168330 | A1 | 7/2011 | Sakaue et al. |
| 2010/0255625 | A1 | 10/2010 | De Vries | 2011/0171775 | A1 | 7/2011 | Yamamoto et al. |
| 2010/0255658 | A1 | 10/2010 | Aggarwal | 2011/0175011 | A1 | 7/2011 | Ehrne et al. |
| 2010/0259152 | A1 | 10/2010 | Yasuda et al. | 2011/0180233 | A1 | 7/2011 | Bera et al. |
| 2010/0266765 | A1 | 10/2010 | White et al. | 2011/0183079 | A1 | 7/2011 | Jackson et al. |
| 2010/0267248 | A1 | 10/2010 | Ma | 2011/0183269 | A1 | 7/2011 | Zhu |
| 2010/0270675 | A1 | 10/2010 | Harada | 2011/0183527 | A1 | 7/2011 | Cho |
| 2010/0246630 | A1 | 11/2010 | Kaszynski et al. | 2011/0192820 | A1 | 8/2011 | Yeom et al. |
| 2010/0275846 | A1 | 11/2010 | Kitagawa | 2011/0198417 | A1 | 8/2011 | Detmar et al. |
| 2010/0279008 | A1 | 11/2010 | Takagi | 2011/0198736 | A1 | 8/2011 | Shero et al. |
| 2010/0282163 | A1 | 11/2010 | Aggarwal et al. | 2011/0204025 | A1 | 8/2011 | Tahara |
| 2010/0282170 | A1 | 11/2010 | Nishizawa | 2011/0210468 | A1 | 9/2011 | Shannon et al. |
| 2010/0282645 | A1 | 11/2010 | Wang | 2011/0217838 | A1 | 9/2011 | Hsieh et al. |
| 2010/0285237 | A1 | 11/2010 | Ditizio et al. | 2011/0220874 | A1 | 9/2011 | Hanrath |
| 2010/0285319 | A1 | 11/2010 | Kwak et al. | 2011/0223334 | A1 | 9/2011 | Yudovsky et al. |
| 2010/0294199 | A1 | 11/2010 | Tran et al. | 2011/0236600 | A1 | 9/2011 | Fox et al. |
| 2010/0297391 | A1 | 11/2010 | Kley | 2011/0237040 | A1 | 9/2011 | Ng et al. |
| 2010/0301752 | A1 | 12/2010 | Bakre et al. | 2011/0239936 | A1 | 10/2011 | Suzaki et al. |
| 2010/0304047 | A1 | 12/2010 | Yang et al. | 2011/0253044 | A1 | 10/2011 | Tam et al. |
| 2010/0307415 | A1 | 12/2010 | Shero et al. | 2011/0254052 | A1 | 10/2011 | Kouvetakis |
| 2010/0317177 | A1 | 12/2010 | Huang et al. | 2011/0256675 | A1 | 10/2011 | Avouris |
| 2010/0317198 | A1 | 12/2010 | Antonelli | 2011/0256726 | A1 | 10/2011 | Lavoie et al. |
| 2010/0322604 | A1 | 12/2010 | Fondurulia et al. | 2011/0256727 | A1 | 10/2011 | Beynet et al. |
| 2010/0326358 | A1 | 12/2010 | Choi | 2011/0256734 | A1 | 10/2011 | Hausmann et al. |
| 2011/0000619 | A1 | 1/2011 | Suh | 2011/0263107 | A1 | 10/2011 | Chung et al. |
| 2011/0006402 | A1 | 1/2011 | Zhou | 2011/0264250 | A1 | 10/2011 | Nishimura et al. |
| 2011/0006406 | A1 | 1/2011 | Urbanowicz et al. | 2011/0265549 | A1 | 11/2011 | Cruse et al. |
| 2011/0014359 | A1 | 1/2011 | Hashim | 2011/0265715 | A1 | 11/2011 | Keller |
| 2011/0014795 | A1 | 1/2011 | Lee | 2011/0265725 | A1 | 11/2011 | Tsuji |
| 2011/0021033 | A1 | 1/2011 | Ikeuchi et al. | 2011/0265951 | A1 | 11/2011 | Xu et al. |
| 2011/0027725 | A1 | 2/2011 | Tsutsumi et al. | 2011/0275018 | A1 | 11/2011 | Matteo et al. |
| 2011/0027999 | A1 | 2/2011 | Sparks et al. | 2011/0275166 | A1 | 11/2011 | Shero et al. |
| 2011/0031562 | A1 | 2/2011 | Lin et al. | 2011/0277690 | A1 | 11/2011 | Rozenzon et al. |
| 2011/0034039 | A1 | 2/2011 | Liang et al. | 2011/0281417 | A1 | 11/2011 | Gordon et al. |
| 2011/0042200 | A1 | 2/2011 | Wilby | 2011/0283933 | A1 | 11/2011 | Makarov et al. |
| 2011/0045610 | A1 | 2/2011 | van Schravendijk | 2011/0291243 | A1 | 12/2011 | Seamons |
| 2011/0046314 | A1 | 2/2011 | Klipp et al. | 2011/0294075 | A1 | 12/2011 | Chen et al. |
| 2011/0048642 | A1 | 3/2011 | Mihara et al. | 2011/0294288 | A1 | 12/2011 | Lee et al. |
| 2011/0048769 | A1 | 3/2011 | Fujwara | 2011/0298062 | A1 | 12/2011 | Ganguli et al. |
| 2011/0049100 | A1 | 3/2011 | Han et al. | 2011/0300720 | A1 | 12/2011 | Fu |
| 2011/0052833 | A1 | 3/2011 | Hanawa et al. | 2011/0308453 | A1 | 12/2011 | Su et al. |
| 2011/0053383 | A1 | 3/2011 | Shero et al. | 2011/0308460 | A1 | 12/2011 | Hong et al. |
| 2011/0056513 | A1 | 3/2011 | Hombach et al. | 2011/0312191 | A1 | 12/2011 | Ohkura et al. |
| 2011/0056626 | A1 | 3/2011 | Brown et al. | 2011/0318888 | A1 | 12/2011 | Komatsu et al. |
| 2011/0057248 | A1 | 3/2011 | Ma et al. | 2012/0003500 | A1 | 1/2012 | Yoshida et al. |
| 2011/0061810 | A1 | 3/2011 | Ganguly et al. | 2012/0006489 | A1 | 1/2012 | Okita |
| 2011/0065289 | A1 | 3/2011 | Asai | 2012/0009802 | A1 | 1/2012 | Lavoie |
| 2011/0067522 | A1 | 3/2011 | Lai | 2012/0024223 | A1 | 2/2012 | Torres et al. |
| 2011/0070380 | A1 | 3/2011 | Shero et al. | 2012/0024227 | A1 | 2/2012 | Takasuka et al. |
| 2011/0070740 | A1 | 3/2011 | Bettencourt et al. | 2012/0024479 | A1 | 2/2012 | Palagashvili et al. |
| 2011/0081519 | A1 | 4/2011 | Dillingh | 2012/0028454 | A1 | 2/2012 | Swaminathan et al. |
| 2011/0083496 | A1 | 4/2011 | Lin et al. | 2012/0028469 | A1 | 2/2012 | Onizawa et al. |
| 2011/0086516 | A1 | 4/2011 | Lee et al. | 2012/0031333 | A1 | 2/2012 | Kurita et al. |
| 2011/0089166 | A1 | 4/2011 | Hunter et al. | 2012/0032311 | A1 | 2/2012 | Gates |
| 2011/0089469 | A1 | 4/2011 | Merckling | 2012/0033695 | A1 | 2/2012 | Hayashi et al. |
| 2011/0092077 | A1 | 4/2011 | Xu et al. | 2012/0036732 | A1 | 2/2012 | Varadarajan |
| 2011/0097901 | A1 | 4/2011 | Banna et al. | 2012/0040528 | A1 | 2/2012 | Kim et al. |
| 2011/0107512 | A1 | 5/2011 | Gilbert | 2012/0043556 | A1 | 2/2012 | Dube et al. |
| 2011/0108194 | A1 | 5/2011 | Yoshioka et al. | 2012/0046421 | A1 | 2/2012 | Darling et al. |
| 2011/0108741 | A1 | 5/2011 | Ingram | 2012/0052681 | A1 | 3/2012 | Marsh |
| | | | | 2012/0058270 | A1 | 3/2012 | Winter et al. |
| | | | | 2012/0058630 | A1 | 3/2012 | Quinn |
| | | | | 2012/0064690 | A1 | 3/2012 | Hirota et al. |
| | | | | 2012/0064764 | A1 | 3/2012 | Islam |

(56)

References Cited

U.S. PATENT DOCUMENTS

| | | | | | |
|------------------|---------|------------------------------------|------------------|---------|--------------------------------------|
| 2012/0068242 A1 | 3/2012 | Shin et al. | 2012/0304935 A1 | 12/2012 | Oosterlaken et al. |
| 2012/0070136 A1 | 3/2012 | Koelmel et al. | 2012/0305026 A1 | 12/2012 | Nomura et al. |
| 2012/0070997 A1 | 3/2012 | Larson | 2012/0305196 A1 | 12/2012 | Mori et al. |
| 2012/0073400 A1 | 3/2012 | Wang | 2012/0305987 A1 | 12/2012 | Hirler et al. |
| 2012/0074533 A1 | 3/2012 | Aoyama | 2012/0307588 A1 | 12/2012 | Hanada et al. |
| 2012/0077349 A1 | 3/2012 | Li et al. | 2012/0309181 A1 | 12/2012 | Machkaoutsan et al. |
| 2012/0080756 A1 | 4/2012 | Suzuki | 2012/0310440 A1 | 12/2012 | Darabnia et al. |
| 2012/0088031 A1 | 4/2012 | Neel | 2012/0315113 A1 | 12/2012 | Hiroki |
| 2012/0090704 A1 | 4/2012 | Laverdiere et al. | 2012/0318334 A1 | 12/2012 | Bedell et al. |
| 2012/0091522 A1 | 4/2012 | Ozaki et al. | 2012/0318773 A1 | 12/2012 | Wu et al. |
| 2012/0098107 A1 | 4/2012 | Raisanen et al. | 2012/0321786 A1 | 12/2012 | Satitpunwaycha et al. |
| 2012/0100464 A1 | 4/2012 | Kageyama | 2012/0322252 A1 | 12/2012 | Son et al. |
| 2012/0103264 A1 | 5/2012 | Choi et al. | 2012/0325148 A1 | 12/2012 | Yamagishi et al. |
| 2012/0103522 A1 | 5/2012 | Hohenwater | 2012/0328780 A1 | 12/2012 | Yamagishi et al. |
| 2012/0103939 A1 | 5/2012 | Wu et al. | 2013/0005122 A1 | 1/2013 | Schwarzenbach et al. |
| 2012/0107607 A1 | 5/2012 | Takaki et al. | 2013/0005147 A1 | 1/2013 | Angyal et al. |
| 2012/0108039 A1 | 5/2012 | Zajaji | 2013/0011983 A1 | 1/2013 | Tsai |
| 2012/0108048 A1 | 5/2012 | Lim et al. | 2013/0014697 A1 | 1/2013 | Kanayama |
| 2012/0114877 A1 | 5/2012 | Lee | 2013/0014896 A1 | 1/2013 | Shoji et al. |
| 2012/0115250 A1 | 5/2012 | Ariga et al. | 2013/0019944 A1 | 1/2013 | Hekmatshoar-Tabari et al. |
| 2012/0115257 A1 | 5/2012 | Matsuyam et al. | 2013/0019945 A1 | 1/2013 | Hekmatshoar-Tabari et al. |
| 2012/0119337 A1 | 5/2012 | Sasaki et al. | 2013/0019960 A1 | 1/2013 | Choi et al. |
| 2012/0121823 A1 | 5/2012 | Chhabra | 2013/0020246 A1 | 1/2013 | Hoots et al. |
| 2012/0122275 A1 | 5/2012 | Koo et al. | 2013/0023120 A1 | 1/2013 | Yaehashi et al. |
| 2012/0122302 A1 | 5/2012 | Weisman et al. | 2013/0023129 A1 | 1/2013 | Reed |
| 2012/0126300 A1 | 5/2012 | Park et al. | 2013/0025786 A1 | 1/2013 | Davidkovich et al. |
| 2012/0128897 A1 | 5/2012 | Xiao et al. | 2013/0026451 A1 | 1/2013 | Bangsaruntip et al. |
| 2012/0135145 A1 | 5/2012 | Je et al. | 2013/0037858 A1 | 2/2013 | Hong et al. |
| 2012/0139009 A1 | 6/2012 | Ning et al. | 2013/0037886 A1 | 2/2013 | Tsai et al. |
| 2012/0149207 A1 | 6/2012 | Graff | 2013/0040481 A1 | 2/2013 | Vallely et al. |
| 2012/0149213 A1 | 6/2012 | Nittala | 2013/0042811 A1 | 2/2013 | Shanker et al. |
| 2012/0156108 A1 | 6/2012 | Fondurulia et al. | 2013/0048606 A1 | 2/2013 | Mao et al. |
| 2012/0156890 A1 | 6/2012 | Yim et al. | 2013/0052585 A1 | 2/2013 | Ayothi et al. |
| 2012/0160172 A1 | 6/2012 | Wamura et al. | 2013/0059078 A1 | 3/2013 | Gatineau et al. |
| 2012/0161405 A1 | 6/2012 | Mohn | 2013/0061755 A1 | 3/2013 | Frederick |
| 2012/0164327 A1 | 6/2012 | Sato | 2013/0064973 A1 | 3/2013 | Chen et al. |
| 2012/0164837 A1 | 6/2012 | Tan et al. | 2013/0065189 A1 | 3/2013 | Yoshii et al. |
| 2012/0164842 A1 | 6/2012 | Watanabe | 2013/0068727 A1 | 3/2013 | Okita |
| 2012/0164846 A1 | 6/2012 | Ha et al. | 2013/0068970 A1 | 3/2013 | Matsushita |
| 2012/0170170 A1 | 7/2012 | Gros-Jean | 2013/0069052 A1 | 3/2013 | Sandhu |
| 2012/0171391 A1 | 7/2012 | Won | 2013/0070456 A1* | 3/2013 | Jang F21V 3/00 362/235 |
| 2012/0171874 A1 | 7/2012 | Thridandam et al. | 2013/0078376 A1 | 3/2013 | Higashino et al. |
| 2012/0175751 A1 | 7/2012 | Gatineau et al. | 2013/0078392 A1 | 3/2013 | Xiao et al. |
| 2012/0180719 A1 | 7/2012 | Inoue et al. | 2013/0081702 A1 | 4/2013 | Mohammed et al. |
| 2012/0180954 A1 | 7/2012 | Yang et al. | 2013/0082274 A1 | 4/2013 | Yang |
| 2012/0183689 A1 | 7/2012 | Suzuki et al. | 2013/0084156 A1 | 4/2013 | Shimamoto |
| 2012/0187083 A1 | 7/2012 | Hashizume | 2013/0084714 A1 | 4/2013 | Oka et al. |
| 2012/0187305 A1 | 7/2012 | Elam et al. | 2013/0089716 A1 | 4/2013 | Krishnamurthy et al. |
| 2012/0190178 A1 | 7/2012 | Wang et al. | 2013/0093048 A1 | 4/2013 | Chang et al. |
| 2012/0190185 A1 | 7/2012 | Rogers | 2013/0095664 A1 | 4/2013 | Matero et al. |
| 2012/0196048 A1 | 8/2012 | Ueda | 2013/0095973 A1 | 4/2013 | Kroneberger et al. |
| 2012/0196450 A1 | 8/2012 | Balseanu et al. | 2013/0104988 A1 | 5/2013 | Yednak et al. |
| 2012/0207456 A1 | 8/2012 | Kim et al. | 2013/0104992 A1 | 5/2013 | Yednak et al. |
| 2012/0212121 A1 | 8/2012 | Lin | 2013/0115383 A1 | 5/2013 | Lu et al. |
| 2012/0214318 A1 | 8/2012 | Fukazawa et al. | 2013/0115763 A1 | 5/2013 | Takamure et al. |
| 2012/0216743 A1 | 8/2012 | Itoh et al. | 2013/0115768 A1 | 5/2013 | Pore et al. |
| 2012/0219824 A1 | 8/2012 | Prolier et al. | 2013/0119018 A1 | 5/2013 | Kanarik et al. |
| 2012/0220139 A1 | 8/2012 | Lee et al. | 2013/0122712 A1 | 5/2013 | Kim et al. |
| 2012/0225561 A1 | 9/2012 | Watanabe | 2013/0122722 A1 | 5/2013 | Cissell et al. |
| 2012/0231771 A1 | 9/2012 | Marcus | 2013/0126515 A1 | 5/2013 | Shero et al. |
| 2012/0232340 A1* | 9/2012 | Levy A61B 1/00177 600/104 | 2013/0129577 A1 | 5/2013 | Halpin et al. |
| 2012/0238074 A1 | 9/2012 | Santhanam et al. | 2013/0134148 A1 | 5/2013 | Tachikawa |
| 2012/0240858 A1 | 9/2012 | Taniyama et al. | 2013/0143401 A1 | 6/2013 | Yu et al. |
| 2012/0241411 A1 | 9/2012 | Darling et al. | 2013/0157409 A1 | 6/2013 | Vaidya |
| 2012/0252229 A1 | 10/2012 | Timans et al. | 2013/0157521 A1* | 6/2013 | Aldrich H01R 13/516 439/848 |
| 2012/0258257 A1 | 10/2012 | Nguyen et al. | 2013/0160709 A1 | 6/2013 | White |
| 2012/0263876 A1 | 10/2012 | Haukka et al. | 2013/0161629 A1 | 6/2013 | Han et al. |
| 2012/0264051 A1 | 10/2012 | Angelov et al. | 2013/0168353 A1 | 7/2013 | Okita et al. |
| 2012/0270339 A1 | 10/2012 | Xie et al. | 2013/0168354 A1 | 7/2013 | Kanarik |
| 2012/0270393 A1 | 10/2012 | Pore et al. | 2013/0171818 A1 | 7/2013 | Kim et al. |
| 2012/0289053 A1 | 11/2012 | Holland et al. | 2013/0175596 A1 | 7/2013 | Cheng et al. |
| 2012/0289057 A1 | 11/2012 | DeDontney | 2013/0180448 A1 | 7/2013 | Sakaue et al. |
| 2012/0295427 A1 | 11/2012 | Bauer | 2013/0183814 A1 | 7/2013 | Huang et al. |
| 2012/0295449 A1 | 11/2012 | Fukazawa | 2013/0189854 A1 | 7/2013 | Hausmann et al. |
| | | | 2013/0196502 A1 | 8/2013 | Haukka et al. |
| | | | 2013/0196507 A1 | 8/2013 | Ma et al. |
| | | | 2013/0200518 A1 | 8/2013 | Ahmed et al. |

(56)

References Cited

U.S. PATENT DOCUMENTS

| | | | | | |
|------------------|---------|------------------------------------|------------------|---------|-------------------------------------|
| 2013/0203266 A1 | 8/2013 | Hintze | 2014/0065841 A1 | 3/2014 | Matero |
| 2013/0203267 A1 | 8/2013 | Pomarede et al. | 2014/0067110 A1 | 3/2014 | Lawson et al. |
| 2013/0209940 A1 | 8/2013 | Sakamoto et al. | 2014/0073143 A1 | 3/2014 | Alokozai et al. |
| 2013/0210241 A1 | 8/2013 | Lavoie et al. | 2014/0076861 A1 | 3/2014 | Cornelius et al. |
| 2013/0214232 A1 | 8/2013 | Tendulkar et al. | 2014/0077240 A1 | 3/2014 | Roucka et al. |
| 2013/0217239 A1 | 8/2013 | Mallick et al. | 2014/0084341 A1 | 3/2014 | Weeks |
| 2013/0217240 A1 | 8/2013 | Mallick et al. | 2014/0087544 A1 | 3/2014 | Tolle |
| 2013/0217241 A1 | 8/2013 | Underwood et al. | 2014/0094027 A1 | 4/2014 | Azumo et al. |
| 2013/0217243 A1 | 8/2013 | Underwood et al. | 2014/0096716 A1 | 4/2014 | Chung et al. |
| 2013/0224964 A1 | 8/2013 | Fukazawa | 2014/0097468 A1 | 4/2014 | Okita |
| 2013/0228225 A1 | 9/2013 | Leeser | 2014/0099798 A1 | 4/2014 | Tsuji |
| 2013/0230814 A1 | 9/2013 | Dunn et al. | 2014/0103145 A1 | 4/2014 | White et al. |
| 2013/0234203 A1 | 9/2013 | Tsai et al. | 2014/0106574 A1 | 4/2014 | Kang et al. |
| 2013/0242287 A1 | 9/2013 | Schlezingner | 2014/0110798 A1 | 4/2014 | Cai |
| 2013/0256265 A1 | 10/2013 | Darling et al. | 2014/0113457 A1 | 4/2014 | Sims |
| 2013/0256838 A1 | 10/2013 | Sanchez et al. | 2014/0116335 A1 | 5/2014 | Tsuji et al. |
| 2013/0256962 A1 | 10/2013 | Ranish | 2014/0117380 A1 | 5/2014 | Loboda et al. |
| 2013/0264659 A1 | 10/2013 | Jung | 2014/0120487 A1 | 5/2014 | Kaneko |
| 2013/0269612 A1 | 10/2013 | Cheng et al. | 2014/0120678 A1 | 5/2014 | Shinriki et al. |
| 2013/0270676 A1 | 10/2013 | Lindert et al. | 2014/0120723 A1 | 5/2014 | Fu et al. |
| 2013/0276978 A1 | 10/2013 | Bluck et al. | 2014/0120738 A1 | 5/2014 | Jung |
| 2013/0280891 A1 | 10/2013 | Kim et al. | 2014/0120750 A1* | 5/2014 | Johnson H01R 27/00 439/131 |
| 2013/0285155 A1 | 10/2013 | Glass | 2014/0127907 A1 | 5/2014 | Yang |
| 2013/0287526 A1 | 10/2013 | Bluck et al. | 2014/0138779 A1 | 5/2014 | Xie et al. |
| 2013/0288427 A1 | 10/2013 | Hung et al. | 2014/0141165 A1 | 5/2014 | Sato et al. |
| 2013/0288480 A1 | 10/2013 | Sanchez et al. | 2014/0141625 A1 | 5/2014 | Fuzazawa et al. |
| 2013/0288485 A1 | 10/2013 | Liang et al. | 2014/0144500 A1 | 5/2014 | Cao et al. |
| 2013/0292047 A1 | 11/2013 | Tian et al. | 2014/0158786 A1 | 6/2014 | Santo |
| 2013/0292676 A1 | 11/2013 | Milligan et al. | 2014/0159170 A1 | 6/2014 | Raisanen et al. |
| 2013/0292807 A1 | 11/2013 | Raisanen et al. | 2014/0162401 A1 | 6/2014 | Kawano et al. |
| 2013/0295779 A1 | 11/2013 | Chandra et al. | 2014/0167187 A1 | 6/2014 | Kuo et al. |
| 2013/0299944 A1 | 11/2013 | Lai et al. | 2014/0174354 A1 | 6/2014 | Arai |
| 2013/0302520 A1 | 11/2013 | Wang et al. | 2014/0175054 A1 | 6/2014 | Carlson et al. |
| 2013/0302999 A1 | 11/2013 | Won et al. | 2014/0182053 A1 | 7/2014 | Huang |
| 2013/0303803 A1 | 11/2013 | Doerr et al. | 2014/0191389 A1 | 7/2014 | Lee et al. |
| 2013/0309876 A1 | 11/2013 | Ogawa | 2014/0193983 A1 | 7/2014 | Lavoie |
| 2013/0312663 A1 | 11/2013 | Khosla et al. | 2014/0202386 A1 | 7/2014 | Taga |
| 2013/0313656 A1 | 11/2013 | Tong | 2014/0202388 A1 | 7/2014 | Um et al. |
| 2013/0319290 A1 | 12/2013 | Xiao et al. | 2014/0209976 A1 | 7/2014 | Yang et al. |
| 2013/0320429 A1 | 12/2013 | Thomas | 2014/0217065 A1 | 8/2014 | Winkler et al. |
| 2013/0323435 A1 | 12/2013 | Xiao et al. | 2014/0220247 A1 | 8/2014 | Hauldca et al. |
| 2013/0323859 A1 | 12/2013 | Chen et al. | 2014/0225065 A1 | 8/2014 | Rachmady et al. |
| 2013/0330165 A1 | 12/2013 | Wimplinger | 2014/0227072 A1 | 8/2014 | Lee et al. |
| 2013/0330911 A1 | 12/2013 | Huang et al. | 2014/0227444 A1 | 8/2014 | Winter et al. |
| 2013/0330933 A1 | 12/2013 | Fukazawa et al. | 2014/0227861 A1 | 8/2014 | Wu et al. |
| 2013/0333619 A1 | 12/2013 | Omani | 2014/0227881 A1 | 8/2014 | Lubomirsky et al. |
| 2013/0337583 A1 | 12/2013 | Kobayashi et al. | 2014/0231922 A1 | 8/2014 | Kim et al. |
| 2013/0337653 A1 | 12/2013 | Kovalgin et al. | 2014/0234466 A1 | 8/2014 | Gao et al. |
| 2013/0337693 A1* | 12/2013 | Mori H01R 13/5205 439/626 | 2014/0234550 A1 | 8/2014 | Winter et al. |
| 2013/0340619 A1 | 12/2013 | Tammera | 2014/0234992 A1 | 8/2014 | Kubota et al. |
| 2013/0344248 A1 | 12/2013 | Clark | 2014/0245948 A1 | 9/2014 | Nguyen et al. |
| 2014/0000843 A1 | 1/2014 | Dunn et al. | 2014/0251953 A1 | 9/2014 | Winkler et al. |
| 2014/0001520 A1 | 1/2014 | Glass | 2014/0251954 A1 | 9/2014 | Winkler et al. |
| 2014/0004274 A1 | 1/2014 | Thompson | 2014/0252134 A1 | 9/2014 | Chen |
| 2014/0014642 A1 | 1/2014 | Elliot et al. | 2014/0252479 A1 | 9/2014 | Utomo et al. |
| 2014/0014644 A1 | 1/2014 | Akiba et al. | 2014/0260684 A1 | 9/2014 | Christmann |
| 2014/0015186 A1 | 1/2014 | Wessel et al. | 2014/0262193 A1 | 9/2014 | Im et al. |
| 2014/0017414 A1 | 1/2014 | Fukazawa et al. | 2014/0264297 A1 | 9/2014 | Kumar et al. |
| 2014/0017908 A1 | 1/2014 | Beynet et al. | 2014/0264902 A1 | 9/2014 | Ting et al. |
| 2014/0020619 A1 | 1/2014 | Vincent et al. | 2014/0272194 A1 | 9/2014 | Xiao et al. |
| 2014/0023794 A1 | 1/2014 | Mahajani et al. | 2014/0273428 A1 | 9/2014 | Shero |
| 2014/0027884 A1 | 1/2014 | Tang et al. | 2014/0273477 A1 | 9/2014 | Niskanen |
| 2014/0033978 A1 | 2/2014 | Adachi et al. | 2014/0273510 A1 | 9/2014 | Chen et al. |
| 2014/0034632 A1 | 2/2014 | Pan et al. | 2014/0273528 A1 | 9/2014 | Niskanen |
| 2014/0036274 A1 | 2/2014 | Marquardt et al. | 2014/0273530 A1 | 9/2014 | Nguyen |
| 2014/0047705 A1 | 2/2014 | Singh | 2014/0273531 A1 | 9/2014 | Niskanen |
| 2014/0048765 A1 | 2/2014 | Ma et al. | 2014/0283747 A1 | 9/2014 | Kasai et al. |
| 2014/0056679 A1 | 2/2014 | Yamabe et al. | 2014/0322862 A1 | 10/2014 | Xie et al. |
| 2014/0056770 A1 | 2/2014 | Bedard et al. | 2014/0322885 A1 | 10/2014 | Xie et al. |
| 2014/0057454 A1 | 2/2014 | Subramonium | 2014/0346142 A1 | 11/2014 | Chapuis et al. |
| 2014/0058179 A1 | 2/2014 | Stevens et al. | 2014/0346650 A1 | 11/2014 | Raisanen et al. |
| 2014/0060147 A1 | 3/2014 | Sarin et al. | 2014/0349033 A1 | 11/2014 | Nonaka et al. |
| 2014/0061770 A1 | 3/2014 | Lee | 2014/0363980 A1 | 12/2014 | Kawamata et al. |
| 2014/0062304 A1 | 3/2014 | Nakano et al. | 2014/0363983 A1 | 12/2014 | Nakano et al. |
| | | | 2014/0363985 A1 | 12/2014 | Jang et al. |
| | | | 2014/0367043 A1 | 12/2014 | Bishara et al. |
| | | | 2014/0367642 A1 | 12/2014 | Guo |
| | | | 2014/0377960 A1 | 12/2014 | Koiwa |

(56)

References Cited

U.S. PATENT DOCUMENTS

| | | | | | | | |
|--------------|----|--------|------------------------|--------------|----|---------|---------------------|
| 2015/0004316 | A1 | 1/2015 | Thompson et al. | 2015/0267301 | A1 | 9/2015 | Hill et al. |
| 2015/0004317 | A1 | 1/2015 | Dussarrat et al. | 2015/0270140 | A1 | 9/2015 | Gupta et al. |
| 2015/0004798 | A1 | 1/2015 | Chandrasekharan et al. | 2015/0270146 | A1 | 9/2015 | Yoshihara et al. |
| 2015/0007770 | A1 | 1/2015 | Chandrasekharan et al. | 2015/0279681 | A1 | 10/2015 | Knoops |
| 2015/0010381 | A1 | 1/2015 | Cai | 2015/0279708 | A1 | 10/2015 | Kobayashi et al. |
| 2015/0014632 | A1 | 1/2015 | Kim et al. | 2015/0279956 | A1 | 10/2015 | Ozaki et al. |
| 2015/0014823 | A1 | 1/2015 | Mallikajunan et al. | 2015/0284848 | A1 | 10/2015 | Nakano et al. |
| 2015/0017794 | A1 | 1/2015 | Takamure | 2015/0287591 | A1 | 10/2015 | Pore et al. |
| 2015/0021599 | A1 | 1/2015 | Ridgeway | 2015/0287612 | A1 | 10/2015 | Luere et al. |
| 2015/0024609 | A1 | 1/2015 | Milligan et al. | 2015/0287626 | A1 | 10/2015 | Arai |
| 2015/0031218 | A1 | 1/2015 | Karakawa | 2015/0287710 | A1 | 10/2015 | Yun et al. |
| 2015/0041431 | A1 | 2/2015 | Zafiropoulo et al. | 2015/0292088 | A1 | 10/2015 | Canizares |
| 2015/0048485 | A1 | 2/2015 | Tolle | 2015/0299848 | A1 | 10/2015 | Haukka |
| 2015/0056815 | A1 | 2/2015 | Fernandez | 2015/0308586 | A1 | 10/2015 | Shugrue et al. |
| 2015/0056821 | A1 | 2/2015 | Ishikawa | 2015/0311151 | A1 | 10/2015 | Chi et al. |
| 2015/0072509 | A1 | 3/2015 | Chi et al. | 2015/0303056 | A1 | 11/2015 | Varadarajan et al. |
| 2015/0078874 | A1 | 3/2015 | Sansoni | 2015/0315704 | A1 | 11/2015 | Nakano et al. |
| 2015/0079311 | A1 | 3/2015 | Nakano | 2015/0322569 | A1 | 11/2015 | Kilpi et al. |
| 2015/0086316 | A1 | 3/2015 | Greenberg | 2015/0340247 | A1 | 11/2015 | Balakrishnan et al. |
| 2015/0087154 | A1 | 3/2015 | Guha et al. | 2015/0340500 | A1 | 11/2015 | Branco |
| 2015/0091057 | A1 | 4/2015 | Xie et al. | 2015/0343741 | A1 | 12/2015 | Shibata et al. |
| 2015/0091134 | A1 | 4/2015 | Amaratunga et al. | 2015/0345018 | A1 | 12/2015 | Detavernier et al. |
| 2015/0096973 | A1 | 4/2015 | Dunn et al. | 2015/0348755 | A1 | 12/2015 | Han et al. |
| 2015/0099065 | A1 | 4/2015 | Canizares et al. | 2015/0361553 | A1 | 12/2015 | Murakawa |
| 2015/0099072 | A1 | 4/2015 | Takamure et al. | 2015/0364371 | A1 | 12/2015 | Yen |
| 2015/0099342 | A1 | 4/2015 | Tsai | 2015/0367253 | A1 | 12/2015 | Kanyal et al. |
| 2015/0102466 | A1 | 4/2015 | Colinge | 2015/0372056 | A1 | 12/2015 | Seong et al. |
| 2015/0111374 | A1 | 4/2015 | Bao | 2015/0376211 | A1 | 12/2015 | Girard |
| 2015/0111395 | A1 | 4/2015 | Hashimoto et al. | 2015/0376785 | A1 | 12/2015 | Knaapen et al. |
| 2015/0122180 | A1 | 5/2015 | Chang et al. | 2015/0380296 | A1 | 12/2015 | Antonelli et al. |
| 2015/0132212 | A1 | 5/2015 | Winkler et al. | 2016/0002776 | A1 | 1/2016 | Nal et al. |
| 2015/0140210 | A1 | 5/2015 | Jung et al. | 2016/0002786 | A1 | 1/2016 | Gatineau et al. |
| 2015/0147483 | A1 | 5/2015 | Fukazawa | 2016/0005595 | A1 | 1/2016 | Liu et al. |
| 2015/0147488 | A1 | 5/2015 | Choi et al. | 2016/0013022 | A1 | 1/2016 | Ayoub |
| 2015/0147875 | A1 | 5/2015 | Takamure et al. | 2016/0013024 | A1 | 1/2016 | Milligan et al. |
| 2015/0147877 | A1 | 5/2015 | Jung | 2016/0020092 | A1 | 1/2016 | Kang |
| 2015/0162168 | A1 | 6/2015 | Oehrlien | 2016/0024655 | A1 | 1/2016 | Yudovsky et al. |
| 2015/0162185 | A1 | 6/2015 | Pore | 2016/0024656 | A1 | 1/2016 | White et al. |
| 2015/0162214 | A1 | 6/2015 | Thompson | 2016/0035566 | A1 | 2/2016 | LaVoie |
| 2015/0167159 | A1 | 6/2015 | Halpin et al. | 2016/0042954 | A1 | 2/2016 | Sung et al. |
| 2015/0167162 | A1 | 6/2015 | Barik et al. | 2016/0051964 | A1 | 2/2016 | Tolle et al. |
| 2015/0167165 | A1 | 6/2015 | Lindfors | 2016/0056074 | A1 | 2/2016 | Na |
| 2015/0167705 | A1 | 6/2015 | Lee et al. | 2016/0071750 | A1 | 3/2016 | de Ridder et al. |
| 2015/0170914 | A1 | 6/2015 | Haukka et al. | 2016/0079054 | A1 | 3/2016 | Chen et al. |
| 2015/0170947 | A1 | 6/2015 | Bluck | 2016/0085003 | A1 | 3/2016 | Jaiswal |
| 2015/0170954 | A1 | 6/2015 | Agarwal | 2016/0097123 | A1 | 4/2016 | Shugrue et al. |
| 2015/0170975 | A1 | 6/2015 | Blatchford et al. | 2016/0099150 | A1 | 4/2016 | Tsai |
| 2015/0171177 | A1 | 6/2015 | Cheng et al. | 2016/0099250 | A1 | 4/2016 | Rabkin et al. |
| 2015/0174768 | A1 | 6/2015 | Rodnick | 2016/0102214 | A1 | 4/2016 | Dietz et al. |
| 2015/0179501 | A1 | 6/2015 | Jhaveri et al. | 2016/0111272 | A1 | 4/2016 | Girard |
| 2015/0179564 | A1 | 6/2015 | Lee et al. | 2016/0111438 | A1 | 4/2016 | Tsutsumi et al. |
| 2015/0179640 | A1 | 6/2015 | Kim et al. | 2016/0115590 | A1 | 4/2016 | Haukka et al. |
| 2015/0184291 | A1 | 7/2015 | Alokozai et al. | 2016/0133307 | A1 | 5/2016 | Lee et al. |
| 2015/0187559 | A1 | 7/2015 | Sano | 2016/0133628 | A1 | 5/2016 | Xie |
| 2015/0187568 | A1 | 7/2015 | Pettinger et al. | 2016/0141172 | A1 | 5/2016 | Kang |
| 2015/0203961 | A1 | 7/2015 | Ha et al. | 2016/0145738 | A1 | 5/2016 | Liu et al. |
| 2015/0217330 | A1 | 8/2015 | Haukka | 2016/0148800 | A1 | 5/2016 | Henri et al. |
| 2015/0217456 | A1 | 8/2015 | Tsuji et al. | 2016/0148806 | A1 | 5/2016 | Henri et al. |
| 2015/0218695 | A1 | 8/2015 | Odedra | 2016/0148811 | A1 | 5/2016 | Nakatani et al. |
| 2015/0225850 | A1 | 8/2015 | Arora et al. | 2016/0148821 | A1 | 5/2016 | Singh |
| 2015/0228572 | A1 | 8/2015 | Yang et al. | 2016/0155629 | A1 | 6/2016 | Hawryluk et al. |
| 2015/0228749 | A1 | 8/2015 | Ando et al. | 2016/0163556 | A1 | 6/2016 | Briggs et al. |
| 2015/0240357 | A1 | 8/2015 | Tachibana et al. | 2016/0163558 | A1 | 6/2016 | Hudson et al. |
| 2015/0240359 | A1 | 8/2015 | Jdira et al. | 2016/0163561 | A1 | 6/2016 | Hudson et al. |
| 2015/0243542 | A1 | 8/2015 | Yoshihara et al. | 2016/0163711 | A1 | 6/2016 | Arndt et al. |
| 2015/0243545 | A1 | 8/2015 | Tang | 2016/0168699 | A1 | 6/2016 | Fukazawa et al. |
| 2015/0243658 | A1 | 8/2015 | Joshi et al. | 2016/0172189 | A1 | 6/2016 | Tapily |
| 2015/0255385 | A1 | 9/2015 | Lee et al. | 2016/0181128 | A1 | 6/2016 | Mori |
| 2015/0259790 | A1 | 9/2015 | Newman | 2016/0181368 | A1 | 6/2016 | Weeks |
| 2015/0262828 | A1 | 9/2015 | Brand et al. | 2016/0190137 | A1 | 6/2016 | Tsai et al. |
| 2015/0263033 | A1 | 9/2015 | Aoyama | 2016/0362813 | A1 | 6/2016 | Bao et al. |
| 2015/0267295 | A1 | 9/2015 | Hill et al. | 2016/0196970 | A1 | 7/2016 | Takamure et al. |
| 2015/0267297 | A1 | 9/2015 | Shiba | 2016/0211135 | A1 | 7/2016 | Noda et al. |
| 2015/0267298 | A1 | 9/2015 | Saitou et al. | 2016/0211147 | A1 | 7/2016 | Fukazawa |
| 2015/0267299 | A1 | 9/2015 | Hawkins | 2016/0217857 | A1 | 7/2016 | Paudel |
| | | | | 2016/0222504 | A1 | 8/2016 | Haukka et al. |
| | | | | 2016/0225607 | A1 | 8/2016 | Yamamoto et al. |
| | | | | 2016/0245704 | A1 | 8/2016 | Osaka et al. |
| | | | | 2016/0256187 | A1 | 9/2016 | Shelton et al. |

(56)

References Cited

U.S. PATENT DOCUMENTS

| | | | | | | | |
|--------------|----|---------|--------------------|--------------|----|---------|------------------|
| 2016/0268102 | A1 | 9/2016 | White | 2017/0200622 | A1 | 7/2017 | Shiokawa et al. |
| 2016/0268107 | A1 | 9/2016 | White | 2017/0216762 | A1 | 8/2017 | Shugrue et al. |
| 2016/0273106 | A1 | 9/2016 | Kanjolia et al. | 2017/0226636 | A1 | 8/2017 | Xiao |
| 2016/0276148 | A1 | 9/2016 | Qian et al. | 2017/0232457 | A1 | 8/2017 | Toshiki et al. |
| 2016/0276212 | A1 | 9/2016 | Horikoshi | 2017/0243734 | A1 | 8/2017 | Ishikawa et al. |
| 2016/0281223 | A1 | 9/2016 | Sowa et al. | 2017/0250068 | A1 | 8/2017 | Ishikawa et al. |
| 2016/0284542 | A1 | 9/2016 | Noda et al. | 2017/0250075 | A1 | 8/2017 | Caymax et al. |
| 2016/0289828 | A1 | 10/2016 | Shero et al. | 2017/0256417 | A1 | 9/2017 | Chou |
| 2016/0293398 | A1 | 10/2016 | Danek et al. | 2017/0256429 | A1 | 9/2017 | Lawson et al. |
| 2016/0307766 | A1 | 10/2016 | Jongbloed et al. | 2017/0260649 | A1 | 9/2017 | Coomer |
| 2016/0312360 | A1 | 10/2016 | Rasheed et al. | 2017/0263437 | A1 | 9/2017 | Li et al. |
| 2016/0314962 | A1 | 10/2016 | Higashino et al. | 2017/0267527 | A1 | 9/2017 | Kim et al. |
| 2016/0314964 | A1 | 10/2016 | Tang et al. | 2017/0267531 | A1 | 9/2017 | Huakka |
| 2016/0334709 | A1 | 11/2016 | Huli et al. | 2017/0271256 | A1 | 9/2017 | Inatsuka |
| 2016/0336392 | A1 | 11/2016 | Tominaga et al. | 2017/0271501 | A1 | 9/2017 | Avcı et al. |
| 2016/0358772 | A1 | 12/2016 | Xie | 2017/0278705 | A1 | 9/2017 | Murakami et al. |
| 2016/0362783 | A1 | 12/2016 | Tolle et al. | 2017/0278707 | A1 | 9/2017 | Margetis et al. |
| 2016/0365280 | A1 | 12/2016 | Brink et al. | 2017/0287681 | A1 | 10/2017 | Nitadori et al. |
| 2016/0365414 | A1 | 12/2016 | Peng et al. | 2017/0294318 | A1 | 10/2017 | Yoshida et al. |
| 2016/0372321 | A1 | 12/2016 | Krishnan et al. | 2017/0306478 | A1 | 10/2017 | Raisanen et al. |
| 2016/0372365 | A1 | 12/2016 | Tang et al. | 2017/0306479 | A1 | 10/2017 | Raisanen et al. |
| 2016/0372744 | A1 | 12/2016 | Essaki et al. | 2017/0306480 | A1 | 10/2017 | Zhu et al. |
| 2016/0376700 | A1 | 12/2016 | Haukka | 2017/0316933 | A1 | 11/2017 | Xie et al. |
| 2016/0376704 | A1 | 12/2016 | Raisanen | 2017/0316940 | A1 | 11/2017 | Ishikawa et al. |
| 2016/0379826 | A9 | 12/2016 | Arghavani et al. | 2017/0317194 | A1 | 11/2017 | Tang et al. |
| 2016/0379851 | A1 | 12/2016 | Swaminathan et al. | 2017/0338111 | A1 | 11/2017 | Takamure et al. |
| 2016/0381732 | A1 | 12/2016 | Moench et al. | 2017/0338133 | A1 | 11/2017 | Tan et al. |
| 2017/0009367 | A1 | 1/2017 | Harris et al. | 2017/0338134 | A1 | 11/2017 | Tan et al. |
| 2017/0011889 | A1 | 1/2017 | Winkler et al. | 2017/0338192 | A1 | 11/2017 | Lee et al. |
| 2017/0011950 | A1 | 1/2017 | Schmotzer | 2017/0342559 | A1 | 11/2017 | Fukazawa et al. |
| 2017/0018477 | A1 | 1/2017 | Kato | 2017/0343896 | A1 | 11/2017 | Darling et al. |
| 2017/0018570 | A1 | 1/2017 | Lue et al. | 2017/0358482 | A1 | 12/2017 | Chen et al. |
| 2017/0025280 | A1 | 1/2017 | Milligan | 2017/0358670 | A1 | 12/2017 | Kub et al. |
| 2017/0025291 | A1 | 1/2017 | Lin | 2017/0365467 | A1 | 12/2017 | Shimamoto et al. |
| 2017/0029945 | A1 | 2/2017 | Kamakura | 2017/0372884 | A1 | 12/2017 | Margetis et al. |
| 2017/0033004 | A1 | 2/2017 | Siew et al. | 2017/0373188 | A1 | 12/2017 | Mochizuki et al. |
| 2017/0037513 | A1 | 2/2017 | Haukka | 2018/0005814 | A1 | 1/2018 | Kumar et al. |
| 2017/0040164 | A1 | 2/2017 | Wang et al. | 2018/0010247 | A1 | 1/2018 | Niskanen |
| 2017/0040206 | A1 | 2/2017 | Schmotzer et al. | 2018/0019165 | A1 | 1/2018 | Baum et al. |
| 2017/0044664 | A1 | 2/2017 | Dussarrat et al. | 2018/0025890 | A1 | 1/2018 | Choi |
| 2017/0047446 | A1 | 2/2017 | Margetis et al. | 2018/0025939 | A1 | 1/2018 | Kovalgin et al. |
| 2017/0051405 | A1 | 2/2017 | Fukazawa et al. | 2018/0033616 | A1 | 2/2018 | Masaru |
| 2017/0051406 | A1 | 2/2017 | Mori et al. | 2018/0033625 | A1 | 2/2018 | Yoo |
| 2017/0051408 | A1 | 2/2017 | Kosuke et al. | 2018/0033645 | A1 | 2/2018 | Saido et al. |
| 2017/0053811 | A1 | 2/2017 | Fung et al. | 2018/0033674 | A1 | 2/2018 | Jeong |
| 2017/0062204 | A1 | 3/2017 | Suzuki et al. | 2018/0033679 | A1 | 2/2018 | Pore |
| 2017/0062209 | A1 | 3/2017 | Shiba | 2018/0040746 | A1 | 2/2018 | Johnson et al. |
| 2017/0062258 | A1 | 3/2017 | Bluck | 2018/0047749 | A1 | 2/2018 | Kim |
| 2017/0091320 | A1 | 3/2017 | Psota et al. | 2018/0053660 | A1 | 2/2018 | Jandl et al. |
| 2017/0092469 | A1 | 3/2017 | Kurita et al. | 2018/0053769 | A1 | 2/2018 | Kim et al. |
| 2017/0092531 | A1 | 3/2017 | Coomer | 2018/0057937 | A1 | 3/2018 | Lee et al. |
| 2017/0092535 | A1 | 3/2017 | Kimihiko et al. | 2018/0061628 | A1 | 3/2018 | Ou et al. |
| 2017/0092847 | A1 | 3/2017 | Kim et al. | 2018/0061851 | A1 | 3/2018 | Ootsuka |
| 2017/0100742 | A1 | 4/2017 | Pore et al. | 2018/0068844 | A1 | 3/2018 | Chen et al. |
| 2017/0103907 | A1 | 4/2017 | Chu et al. | 2018/0068862 | A1 | 3/2018 | Terakura et al. |
| 2017/0104061 | A1 | 4/2017 | Peng et al. | 2018/0068950 | A1 | 3/2018 | Bruley et al. |
| 2017/0107621 | A1 | 4/2017 | Suemori | 2018/0069019 | A1 | 3/2018 | Kim et al. |
| 2017/0110313 | A1 | 4/2017 | Tang et al. | 2018/0076021 | A1 | 3/2018 | Fukushima et al. |
| 2017/0110601 | A1 | 4/2017 | Blomberg et al. | 2018/0083435 | A1 | 3/2018 | Redler |
| 2017/0114464 | A1 | 4/2017 | Iriuda | 2018/0087152 | A1 | 3/2018 | Yoshida |
| 2017/0117141 | A1 | 4/2017 | Zhu et al. | 2018/0087154 | A1 | 3/2018 | Pore et al. |
| 2017/0117202 | A1 | 4/2017 | Tang et al. | 2018/0087156 | A1 | 3/2018 | Kohei et al. |
| 2017/0117203 | A1 | 4/2017 | Tang et al. | 2018/0090583 | A1 | 3/2018 | Choi et al. |
| 2017/0117222 | A1 | 4/2017 | Kim et al. | 2018/0094351 | A1 | 4/2018 | Verghese et al. |
| 2017/0130332 | A1 | 5/2017 | Stumpf | 2018/0097076 | A1 | 4/2018 | Cheng et al. |
| 2017/0136578 | A1 | 5/2017 | Yoshimura | 2018/0102276 | A1 | 4/2018 | Zhu et al. |
| 2017/0140925 | A1 | 5/2017 | Suzuki et al. | 2018/0105930 | A1 | 4/2018 | Kang et al. |
| 2017/0145564 | A1 | 5/2017 | Bertuch et al. | 2018/0108587 | A1 | 4/2018 | Jiang |
| 2017/0148918 | A1 | 5/2017 | Ye et al. | 2018/0114680 | A1 | 4/2018 | Kim et al. |
| 2017/0154757 | A1 | 6/2017 | Winkler et al. | 2018/0119283 | A1 | 5/2018 | Fukazawa |
| 2017/0173696 | A1 | 6/2017 | Sheinman | 2018/0122642 | A1 | 5/2018 | Raisanen |
| 2017/0178899 | A1 | 6/2017 | Kabansky et al. | 2018/0122709 | A1 | 5/2018 | Xie |
| 2017/0186754 | A1 | 6/2017 | Blomberg et al. | 2018/0122959 | A1 | 5/2018 | Calka et al. |
| 2017/0191164 | A1 | 7/2017 | Alokozai et al. | 2018/0127876 | A1 | 5/2018 | Tolle |
| 2017/0196562 | A1 | 7/2017 | Shelton | 2018/0130652 | A1 | 5/2018 | Pettinger et al. |
| | | | | 2018/0130701 | A1 | 5/2018 | Chun |
| | | | | 2018/0135173 | A1 | 5/2018 | Kim et al. |
| | | | | 2018/0135179 | A1 | 5/2018 | Toshiyuki et al. |
| | | | | 2018/0142353 | A1 | 5/2018 | Tetsuya et al. |

(56)

References Cited

FOREIGN PATENT DOCUMENTS

| | | | | | |
|----|------------|---------|----|-----------------|---------|
| JP | 7-272694 | 10/1995 | JP | 2009252851 | 10/2009 |
| JP | H07283149 | 10/1995 | JP | 2010067940 | 3/2010 |
| JP | H07-209093 | 11/1995 | JP | 2010097834 | 4/2010 |
| JP | 08-181135 | 7/1996 | JP | 2010205967 | 9/2010 |
| JP | H08181135 | 7/1996 | JP | 2010251444 | 10/2010 |
| JP | H08335558 | 12/1996 | JP | 2010255218 | 11/2010 |
| JP | H09064149 | 3/1997 | JP | 2011162830 | 8/2011 |
| JP | 9-89676 | 4/1997 | JP | 2011181681 | 9/2011 |
| JP | H09148322 | 6/1997 | JP | 2011049592 | 10/2011 |
| JP | H10-41096 | 2/1998 | JP | 2012089837 | 5/2012 |
| JP | 10-064696 | 3/1998 | JP | 2012146939 | 8/2012 |
| JP | H10-153494 | 6/1998 | JP | 2012164736 | 8/2012 |
| JP | H10-227703 | 8/1998 | JP | 2012195513 | 10/2012 |
| JP | 10-0261620 | 9/1998 | JP | 2013026479 | 2/2013 |
| JP | 2845163 | 1/1999 | JP | 2013235912 | 8/2014 |
| JP | 11-097163 | 4/1999 | JP | 2014522104 | 8/2014 |
| JP | H11-118615 | 4/1999 | JP | 2016098406 | 5/2016 |
| JP | H11-183264 | 7/1999 | JP | 2010123843 | 6/2016 |
| JP | H11-183265 | 7/1999 | JP | 2016174158 | 9/2016 |
| JP | H11-195688 | 7/1999 | JP | 2017183242 | 10/2017 |
| JP | H11-287715 | 10/1999 | KR | 1998-0026850 | 7/1998 |
| JP | 2001015698 | 1/2001 | KR | 100253664 | 4/2000 |
| JP | 2001023872 | 1/2001 | KR | 10-2000-0031098 | 6/2000 |
| JP | 2001207265 | 7/2001 | KR | 10-2000-0045257 | 7/2000 |
| JP | 2001207268 | 7/2001 | KR | 10-0295043 | 4/2001 |
| JP | 2001210602 | 8/2001 | KR | 10-2002-0064028 | 8/2002 |
| JP | 2001220677 | 8/2001 | KR | 2002-0086763 | 11/2002 |
| JP | 2001287180 | 10/2001 | KR | 10-0377095 | 3/2003 |
| JP | 2001342570 | 12/2001 | KR | 2003-0092305 | 12/2003 |
| JP | 2002164342 | 6/2002 | KR | 10-2005-0054122 | 6/2005 |
| JP | 2002170781 | 6/2002 | KR | 10-0547248 | 1/2006 |
| JP | 2002237375 | 8/2002 | KR | 10-0593960 | 6/2006 |
| JP | 2003035574 | 2/2003 | KR | 10-0688484 | 2/2007 |
| JP | 2003053688 | 2/2003 | KR | 10-2007-0084683 | 8/2007 |
| JP | 2003133300 | 5/2003 | KR | 10-2009-0055443 | 6/2009 |
| JP | 2003153706 | 5/2003 | KR | 20100020834 | 2/2010 |
| JP | 2003303814 | 10/2003 | KR | 20100032812 | 3/2010 |
| JP | 2004014952 | 1/2004 | KR | 20100079920 | 7/2010 |
| JP | 2004023043 | 1/2004 | KR | 10-1114219 | 3/2012 |
| JP | 2004091848 | 3/2004 | KR | 10-1535573 | 7/2015 |
| JP | 2004113270 | 4/2004 | SU | 494614 | 2/1976 |
| JP | 2004128019 | 4/2004 | SU | 1408319 | 7/1988 |
| JP | 2004134553 | 4/2004 | TW | 538327 | 6/2003 |
| JP | 2004163293 | 6/2004 | TW | 540093 | 7/2003 |
| JP | 2004294638 | 10/2004 | TW | 1226380 | 1/2005 |
| JP | 2004310019 | 11/2004 | TW | M292692 | 6/2006 |
| JP | 2004538374 | 12/2004 | TW | 200701301 | 1/2007 |
| JP | 2005079254 | 3/2005 | TW | 200731357 | 8/2007 |
| JP | 2005507030 | 3/2005 | TW | 201247690 | 12/2012 |
| JP | 2005172489 | 6/2005 | TW | 201330086 | 7/2013 |
| JP | 2006049352 | 2/2006 | WO | 1996017107 | 6/1996 |
| JP | 2005033221 | 3/2006 | WO | 1997003223 | 1/1997 |
| JP | 2006059931 | 3/2006 | WO | 1998032893 | 7/1998 |
| JP | 2006090762 | 4/2006 | WO | 1999023690 | 5/1999 |
| JP | 2006153706 | 6/2006 | WO | DM/048579 | 7/1999 |
| JP | 2006186271 | 7/2006 | WO | 2004008491 | 7/2002 |
| JP | 2006188729 | 7/2006 | WO | 2004008827 | 1/2004 |
| JP | 2006278058 | 10/2006 | WO | 2004010467 | 1/2004 |
| JP | 2006319261 | 11/2006 | WO | 2004106584 | 12/2004 |
| JP | 2007027777 | 2/2007 | WO | 2004106584 | 12/2004 |
| JP | 3140111 | 3/2008 | WO | 2005112082 | 11/2005 |
| JP | 2008060304 | 3/2008 | WO | 2006035281 | 4/2006 |
| JP | 2008066159 | 3/2008 | WO | 2006054854 | 5/2006 |
| JP | 2008085129 | 4/2008 | WO | 2006056091 | 6/2006 |
| JP | 2008089320 | 4/2008 | WO | 2006078666 | 7/2006 |
| JP | 2008172083 | 7/2008 | WO | 2006080782 | 8/2006 |
| JP | 2008527748 | 7/2008 | WO | 2006101857 | 9/2006 |
| JP | 2008198629 | 8/2008 | WO | 2006114781 | 11/2006 |
| JP | 2008202107 | 9/2008 | WO | 2007024720 | 3/2007 |
| JP | 2009016815 | 1/2009 | WO | 2007027165 | 3/2007 |
| JP | 2009088421 | 4/2009 | WO | 2007117718 | 10/2007 |
| JP | 2009239082 | 4/2009 | WO | 2007131051 | 11/2007 |
| JP | 2009099938 | 5/2009 | WO | 2007140376 | 12/2007 |
| JP | 2009194248 | 8/2009 | WO | 2008045972 | 4/2008 |
| JP | 2009251216 | 10/2009 | WO | 2008091900 | 7/2008 |
| | | | WO | 2008121463 | 10/2008 |
| | | | WO | 2008147731 | 12/2008 |
| | | | WO | 2009028619 | 3/2009 |
| | | | WO | 2009029532 | 3/2009 |
| | | | WO | 2009039251 | 3/2009 |

(56)

References Cited

FOREIGN PATENT DOCUMENTS

| | | |
|----|-------------|---------|
| WO | 2009099776 | 8/2009 |
| WO | 2009154889 | 12/2009 |
| WO | 2009154896 | 12/2009 |
| WO | 2010039363 | 4/2010 |
| WO | 2010077533 | 7/2010 |
| WO | 2010100702 | 9/2010 |
| WO | 2010118051 | 10/2010 |
| WO | 2010129428 | 11/2010 |
| WO | 2010129430 | 11/2010 |
| WO | 2010129431 | 11/2010 |
| WO | 2011019950 | 2/2011 |
| WO | 2011149640 | 12/2011 |
| WO | 2012077590 | 6/2012 |
| WO | 2013078065 | 5/2013 |
| WO | 2013078066 | 5/2013 |
| WO | 2014107290 | 7/2014 |
| WO | 2015026230 | 2/2015 |
| WO | 2015107009 | 7/2015 |
| WO | 2015112728 | 7/2015 |
| WO | 2018109553 | 6/2016 |
| WO | 2018109554 | 6/2016 |
| WO | 2017108713 | 6/2017 |
| WO | 2017108714 | 6/2017 |
| WO | 2017212546 | 12/2017 |
| WO | 2018003072 | 1/2018 |
| WO | 2018008088 | 1/2018 |
| WO | 2018013778 | 1/2018 |
| WO | 2018020316 | 2/2018 |
| WO | 2018020318 | 2/2018 |
| WO | 2018020320 | 2/2018 |
| WO | 2018020327 | 2/2018 |
| WO | 20181095C51 | 6/2018 |
| WO | 2018109552 | 6/2018 |
| WO | 2019030565 | 2/2019 |

OTHER PUBLICATIONS

USPTO; Office Action dated Aug. 27, 2010 in U.S. Appl. No. 12/118,596.

USPTO; Office Action dated Feb. 15, 2011 in U.S. Appl. No. 12/118,596.

USPTO; Notice of Allowance dated Aug. 4, 2011 in U.S. Appl. No. 12/118,596.

USPTO; Non-Final Office Action dated Apr. 1, 2010 in U.S. Appl. No. 12/357,174.

USPTO; Final Office Action dated Sep. 1, 2010 in U.S. Appl. No. 12/357,174.

USPTO; Notice of Allowance dated Dec. 13, 2010 in U.S. Appl. No. 12/357,174.

USPTO; Non-Final Office Action dated Dec. 29, 2010 in U.S. Appl. No. 12/362,023.

USPTO; Non-Final Office Action dated Jul. 26, 2011 in U.S. Appl. No. 12/416,809.

USPTO; Final Office Action dated Dec. 6, 2011 in U.S. Appl. No. 12/416,809.

USPTO; Notice of Allowance dated Jun. 16, 2011 in U.S. Appl. No. 12/430,751.

USPTO; Notice of Allowance dated Jul. 27, 2011 in U.S. Appl. No. 12/430,751.

USPTO; Notice of Allowance dated Oct. 1, 2010 in U.S. Appl. No. 12/467,017.

USPTO; Non-Final Office Action dated Mar. 18, 2010 in U.S. Appl. No. 12/489,252.

USPTO; Notice of Allowance dated Sep. 2, 2010 in U.S. Appl. No. 12/489,252.

USPTO; Non-Final Office Action dated Dec. 15, 2010 in U.S. Appl. No. 12/553,759.

USPTO; Final Office Action dated May 4, 2011 in U.S. Appl. No. 12/553,759.

USPTO; Non-Final Office Action dated Sep. 6, 2011 in U.S. Appl. No. 12/553,759.

USPTO; Notice of Allowance dated Jan. 24, 2012 in U.S. Appl. No. 12/553,759.

USPTO; Non-Final Office Action dated Oct. 19, 2012 in U.S. Appl. No. 12/618,355.

USPTO; Final Office Action dated May 8, 2013 in U.S. Appl. No. 12/618,355.

USPTO; Non-Final Office Action dated Apr. 8, 2015 in U.S. Appl. No. 12/618,355.

USPTO; Final Office Action dated Oct. 22, 2015 in U.S. Appl. No. 12/618,355.

USPTO; Non-Final Office Action dated Jun. 30, 2016 in U.S. Appl. No. 12/618,355.

USPTO; Final Office Action dated Feb. 10, 2017 in U.S. Appl. No. 12/618,355.

USPTO; Non-Final Office Action dated Feb. 16, 2012 in U.S. Appl. No. 12/618,419.

USPTO; Final Office Action dated Jun. 22, 2012 in U.S. Appl. No. 12/618,419.

USPTO; Non-Final Office Action dated Nov. 27, 2012 in U.S. Appl. No. 12/618,419.

USPTO; Notice of Allowance dated Apr. 12, 2013 in U.S. Appl. No. 12/618,419.

USPTO; Non-Final Office Action dated Dec. 6, 2011 in U.S. Appl. No. 12/718,731.

USPTO; Notice of Allowance dated Mar. 16, 2012 in U.S. Appl. No. 12/718,731.

USPTO; Restriction Requirement dated Jan. 15, 2013 in U.S. Appl. No. 12/754,223.

USPTO; Office Action dated Feb. 26, 2013 in U.S. Appl. No. 12/754,223.

USPTO; Final Office Action dated Jun. 28, 2013 in U.S. Appl. No. 12/754,223.

USPTO; Office Action dated Feb. 25, 2014 in U.S. Appl. No. 12/754,223.

USPTO; Final Office Action dated Jul. 14, 2014 in U.S. Appl. No. 12/754,223.

USPTO; Non-Final Office Action dated Mar. 25, 2015 in U.S. Appl. No. 12/754,223.

USPTO; Final Office Action dated Aug. 12, 2015 in U.S. Appl. No. 12/754,223.

USPTO; Notice of Allowance dated May 23, 2016 in U.S. Appl. No. 12/754,223.

USPTO; Office Action dated Apr. 23, 2013 in U.S. Appl. No. 12/763,037.

USPTO; Final Office Action dated Oct. 21, 2013 in U.S. Appl. No. 12/763,037.

USPTO; Office Action dated Oct. 8, 2014 in U.S. Appl. No. 12/763,037.

USPTO; Notice of Allowance dated Jan. 27, 2015 in U.S. Appl. No. 12/763,037.

USPTO; Non-Final Office Action dated Jan. 24, 2011 in U.S. Appl. No. 12/778,808.

USPTO; Notice of Allowance dated May 9, 2011 in U.S. Appl. No. 12/778,808.

USPTO; Notice of Allowance dated Oct. 12, 2012 in U.S. Appl. No. 12/832,739.

USPTO; Non-Final Office Action dated Oct. 16, 2012 in U.S. Appl. No. 12/847,848.

USPTO; Final Office Action dated Apr. 22, 2013 in U.S. Appl. No. 12/847,848.

USPTO; Notice of Allowance dated Jan. 16, 2014 in U.S. Appl. No. 12/847,848.

USPTO; Restriction Requirement dated Sep. 25, 2012 in U.S. Appl. No. 12/854,818.

USPTO; Office Action dated Dec. 6, 2012 in U.S. Appl. No. 12/854,818.

USPTO; Final Office Action dated Mar. 13, 2013 in U.S. Appl. No. 12/854,818.

USPTO; Office Action dated Aug. 30, 2013 in U.S. Appl. No. 12/854,818.

USPTO; Final Office Action dated Mar. 26, 2014 in U.S. Appl. No. 12/854,818.

(56)

References Cited

OTHER PUBLICATIONS

USPTO; Office Action dated Jun. 3, 2014 in U.S. Appl. No. 12/854,818.
USPTO; Non-Final Office Action dated Jul. 11, 2012 in U.S. Appl. No. 12/875,889.
USPTO; Notice of Allowance dated Jan. 4, 2013 in U.S. Appl. No. 12/875,889.
USPTO; Notice of Allowance dated Jan. 9, 2012 in U.S. Appl. No. 12/901,323.
USPTO; Non-Final Office Action dated Nov. 20, 2013 in U.S. Appl. No. 12/910,607.
USPTO; Final Office Action dated Apr. 28, 2014 in U.S. Appl. No. 12/910,607.
USPTO; Notice of Allowance dated Aug. 15, 2014 in U.S. Appl. No. 12/910,607.
USPTO; Non-Final Office Action dated Oct. 24, 2012 in U.S. Appl. No. 12/940,906.
USPTO; Final Office Action dated Feb. 13, 2013 in U.S. Appl. No. 12/940,906.
USPTO; Notice of Allowance dated Apr. 23, 2013 in U.S. Appl. No. 12/940,906.
USPTO; Non-Final Office Action dated Dec. 7, 2012 in U.S. Appl. No. 12/953,870.
USPTO; Final Office Action dated Apr. 22, 2013 in U.S. Appl. No. 12/953,870.
USPTO; Non-Final Office Action dated Sep. 19, 2012 in U.S. Appl. No. 13/016,735.
USPTO; Final Office Action dated Feb. 11, 2013 in U.S. Appl. No. 13/016,735.
USPTO; Notice of Allowance dated Apr. 24, 2013 in U.S. Appl. No. 13/016,735.
USPTO; Non-Final Office Action dated Apr. 4, 2012 in U.S. Appl. No. 13/030,438.
USPTO; Final Office Action dated Aug. 22, 2012 in U.S. Appl. No. 13/030,438.
USPTO; Notice of Allowance dated Oct. 24, 2012 in U.S. Appl. No. 13/030,438.
USPTO; Non-Final Office Action dated Dec. 3, 2012 in U.S. Appl. No. 13/040,013.
USPTO; Notice of Allowance dated May 3, 2013 in U.S. Appl. No. 13/040,013.
USPTO; Notice of Allowance dated Sep. 13, 2012 in U.S. Appl. No. 13/085,698.
USPTO; Non-Final Office Action dated Mar. 29, 2013 in U.S. Appl. No. 13/094,402.
USPTO; Final Office Action dated Jul. 17, 2013 in U.S. Appl. No. 13/094,402.
USPTO; Notice of Allowance dated Sep. 30, 2013 in U.S. Appl. No. 13/094,402.
USPTO; Restriction Requirement dated May 8, 2013 in U.S. Appl. No. 13/102,980.
USPTO; Office Action dated Oct. 7, 2013 in U.S. Appl. No. 13/102,980.
USPTO; Final Office Action dated Mar. 25, 2014 in U.S. Appl. No. 13/102,980.
USPTO; Notice of Allowance dated Jul. 3, 2014 in U.S. Appl. No. 13/102,980.
USPTO; Non-Final Office Action dated Jul. 17, 2014 in U.S. Appl. No. 13/154,271.
USPTO; Final Office Action dated Jan. 2, 2015 in U.S. Appl. No. 13/154,271.
USPTO; Non-Final Office Action dated May 27, 2015 in U.S. Appl. No. 13/154,271.
USPTO; Final Office Action dated Nov. 23, 2015 in U.S. Appl. No. 13/154,271.
USPTO; Notice of Allowance dated Feb. 10, 2016 in U.S. Appl. No. 13/154,271.
USPTO; Non-Final Office Action dated Jun. 27, 2016 in U.S. Appl. No. 13/166,367.

USPTO; Final Office Action dated Dec. 30, 2016 in U.S. Appl. No. 13/166,367.
USPTO; Notice of Allowance dated Jun. 28, 2017 in U.S. Appl. No. 13/166,367.
USPTO; Non-Final Office Action dated Oct. 27, 2014 in U.S. Appl. No. 13/169,951.
USPTO; Final Office Action dated May 26, 2015 in U.S. Appl. No. 13/169,951.
USPTO; Non-Final Office Action dated Sep. 1, 2015 in U.S. Appl. No. 13/169,951.
USPTO; Final Office Action dated Mar. 3, 2016 in U.S. Appl. No. 13/169,951.
USPTO; Non-Final Office Action dated Jun. 9, 2016 in U.S. Appl. No. 13/169,951.
USPTO; Final Office Action dated Dec. 9, 2016 in U.S. Appl. No. 13/169,951.
USPTO; Non-Final Office Action dated Apr. 26, 2017 in U.S. Appl. No. 13/169,951.
USPTO; Non-Final Office Action dated Jun. 24, 2014 in U.S. Appl. No. 13/181,407.
USPTO; Final Office Action dated Sep. 24, 2014 in U.S. Appl. No. 13/181,407.
USPTO; Non-Final Office Action dated Jan. 2, 2015 in U.S. Appl. No. 13/181,407.
USPTO; Final Office Action dated Apr. 8, 2015 in U.S. Appl. No. 13/181,407.
USPTO; Non-Final Office Action dated Jan. 23, 2013 in U.S. Appl. No. 13/184,351.
USPTO; Final Office Action dated Jul. 29, 2013 in U.S. Appl. No. 13/184,351.
USPTO; Non-Final Office Action dated Jul. 16, 2014 in U.S. Appl. No. 13/184,351.
USPTO; Final Office Action dated Feb. 17, 2015 in U.S. Appl. No. 13/184,351.
USPTO; Non-Final Office Action dated Aug. 10, 2015 in U.S. Appl. No. 13/184,351.
USPTO; Final Office Action dated Feb. 12, 2016 in U.S. Appl. No. 13/184,351.
USPTO; Non-Final Office Action dated Dec. 15, 2016 in U.S. Appl. No. 13/184,351.
USPTO; Final Office Action dated Jun. 15, 2017 in U.S. Appl. No. 13/184,351.
USPTO; Non-Final Office Action dated Sep. 17, 2014 in U.S. Appl. No. 13/187,300.
USPTO; Final Office Action dated Apr. 15, 2015 in U.S. Appl. No. 13/187,300.
USPTO; Non-Final Office Action dated Apr. 7, 2016 in U.S. Appl. No. 13/187,300.
USPTO; Final Office Action dated Sep. 23, 2016 in U.S. Appl. No. 13/187,300.
USPTO; Non-Final Office Action dated Jan. 30, 2017 in U.S. Appl. No. 13/187,300.
USPTO; Final Office Action dated Aug. 9, 2017 in U.S. Appl. No. 13/187,300.
USPTO; Non-Final Office Action dated Oct. 1, 2012 in U.S. Appl. No. 13/191,762.
USPTO; Final Office Action dated Apr. 10, 2013 in U.S. Appl. No. 13/191,762.
USPTO; Notice of Allowance dated Aug. 15, 2013 in U.S. Appl. No. 13/191,762.
USPTO; Non-Final Office Action dated Oct. 22, 2012 in U.S. Appl. No. 13/238,960.
USPTO; Final Office Action dated May 3, 2013 in U.S. Appl. No. 13/238,960.
USPTO; Non-Final Office Action dated Apr. 26, 2013 in U.S. Appl. No. 13/250,721.
USPTO; Notice of Allowance dated Sep. 11, 2013 in U.S. Appl. No. 13/250,721.
USPTO; Non-Final Office Action dated Jul. 2, 2014 in U.S. Appl. No. 13/283,408.
USPTO; Final Office Action dated Jan. 29, 2015 in U.S. Appl. No. 13/283,408.

(56)

References Cited

OTHER PUBLICATIONS

- USPTO; Non-Final Office Action dated Jun. 17, 2015 in U.S. Appl. No. 13/283,408.
- USPTO; Final Office Action dated Dec. 18, 2015 in U.S. Appl. No. 13/283,408.
- USPTO; Notice of Allowance dated Mar. 28, 2016 in U.S. Appl. No. 13/283,408.
- USPTO; Restriction Requirement dated Dec. 16, 2013 in U.S. Appl. No. 13/284,642.
- USPTO; Restriction Requirement dated Apr. 21, 2014 in U.S. Appl. No. 13/284,642.
- USPTO; Office Action dated Jul. 30, 2014 in U.S. Appl. No. 13/284,642.
- USPTO; Notice of Allowance dated Feb. 11, 2015 in U.S. Appl. No. 13/284,642.
- USPTO; Office Action dated Jan. 28, 2014 in U.S. Appl. No. 13/312,591.
- USPTO; Final Office Action dated May 14, 2014 in U.S. Appl. No. 13/312,591.
- USPTO; Non-Final Office Action dated Nov. 26, 2014 in U.S. Appl. No. 13/312,591.
- USPTO; Final Office Action dated Mar. 20, 2015 in U.S. Appl. No. 13/312,591.
- USPTO; Notice of Allowance dated May 14, 2015 in U.S. Appl. No. 13/312,591.
- USPTO; Non-Final Office Action dated Apr. 9, 2014 in U.S. Appl. No. 13/333,420.
- USPTO; Notice of Allowance dated Sep. 15, 2014 in U.S. Appl. No. 13/333,420.
- USPTO; Office Action dated Jan. 10, 2013 in U.S. Appl. No. 13/339,609.
- USPTO; Office Action dated Feb. 11, 2013 in U.S. Appl. No. 13/339,609.
- USPTO; Final Office Action dated May 17, 2013 in U.S. Appl. No. 13/339,609.
- USPTO; Office Action dated Aug. 29, 2013 in U.S. Appl. No. 13/339,609.
- USPTO; Final Office Action dated Dec. 18, 2013 in U.S. Appl. No. 13/339,609.
- USPTO; Notice of Allowance dated Apr. 7, 2014 in U.S. Appl. No. 13/339,609.
- USPTO; Non-Final Office Action dated Oct. 10, 2012 in U.S. Appl. No. 13/406,791.
- USPTO; Final Office Action dated Jan. 31, 2013 in U.S. Appl. No. 13/406,791.
- USPTO; Non-Final Office Action dated Apr. 25, 2013 in U.S. Appl. No. 13/406,791.
- USPTO; Final Office Action dated Aug. 23, 2013 in U.S. Appl. No. 13/406,791.
- USPTO; Non-Final Office Action dated Dec. 4, 2013 in U.S. Appl. No. 13/406,791.
- USPTO; Final Office Action dated Apr. 21, 2014 in U.S. Appl. No. 13/406,791.
- USPTO; Non-Final Office Action dated Jan. 14, 2013 in U.S. Appl. No. 13/410,970.
- USPTO; Notice of Allowance dated Feb. 14, 2013 in U.S. Appl. No. 13/410,970.
- USPTO; Non-Final Office Action dated Feb. 13, 2014 in U.S. Appl. No. 13/411,271.
- USPTO; Non-Final Office Action dated Jul. 31, 2014 in U.S. Appl. No. 13/411,271.
- USPTO; Final Office Action dated Jan. 16, 2015 in U.S. Appl. No. 13/411,271.
- USPTO; Notice of Allowance dated Oct. 6, 2015 in U.S. Appl. No. 13/411,271.
- USPTO; Office Action dated Feb. 4, 2014 in U.S. Appl. No. 13/439,528.
- USPTO; Final Office Action dated Jul. 8, 2014 in U.S. Appl. No. 13/439,528.
- USPTO; Notice of Allowance dated Oct. 21, 2014 in U.S. Appl. No. 13/439,528.
- USPTO; Non-Final Office Action dated Apr. 11, 2013 in U.S. Appl. No. 13/450,368.
- USPTO; Notice of Allowance dated Jul. 17, 2013 in U.S. Appl. No. 13/450,368.
- USPTO; Office Action dated May 23, 2013 in U.S. Appl. No. 13/465,340.
- USPTO; Final Office Action dated Oct. 30, 2013 in U.S. Appl. No. 13/465,340.
- USPTO; Notice of Allowance dated Feb. 12, 2014 in U.S. Appl. No. 13/465,340.
- USPTO; Non-Final Office Action dated Oct. 17, 2013 in U.S. Appl. No. 13/493,897.
- USPTO; Notice of Allowance dated Mar. 20, 2014 in U.S. Appl. No. 13/493,897.
- USPTO; Office Action dated Dec. 20, 2013 in U.S. Appl. No. 13/535,214.
- USPTO; Final Office Action dated Jun. 18, 2014 in U.S. Appl. No. 13/535,214.
- USPTO; Notice of Allowance dated Oct. 23, 2014 in U.S. Appl. No. 13/535,214.
- USPTO; Non-Final Office Action dated Sep. 11, 2013 in U.S. Appl. No. 13/550,419.
- USPTO; Final Office Action dated Jan. 27, 2014 in U.S. Appl. No. 13/550,419.
- USPTO; Notice of Allowance dated May 29, 2014 in U.S. Appl. No. 13/550,419.
- USPTO; Non-Final Office Action dated Aug. 8, 2014 in U.S. Appl. No. 13/563,066.
- USPTO; Final Office Action dated Feb. 12, 2015 in U.S. Appl. No. 13/563,066.
- USPTO; Notice of Allowance dated Jun. 12, 2015 in U.S. Appl. No. 13/563,066.
- USPTO; Notice of Allowance dated Jul. 16, 2015 in U.S. Appl. No. 13/563,066.
- USPTO; Non-Final Office Action dated Nov. 7, 2013 in U.S. Appl. No. 13/565,564.
- USPTO; Final Office Action dated Feb. 28, 2014 in U.S. Appl. No. 13/565,564.
- USPTO; Non-Final Office Action dated Jul. 2, 2014 in U.S. Appl. No. 13/565,564.
- USPTO; Notice of Allowance dated Nov. 3, 2014 in U.S. Appl. No. 13/565,564.
- USPTO; Non-Final Office Action dated Aug. 30, 2013 in U.S. Appl. No. 13/570,067.
- USPTO; Notice of Allowance dated Jan. 6, 2014 in U.S. Appl. No. 13/570,067.
- USPTO; Non-Final Office Action dated Oct. 15, 2014 in U.S. Appl. No. 13/597,043.
- USPTO; Final Office Action dated Mar. 13, 2015 in U.S. Appl. No. 13/597,043.
- USPTO;; Notice of Allowance dated Aug. 28, 2015 in U.S. Appl. No. 13/597,043.
- USPTO; Non-Final Office Action dated Feb. 12, 2015 in U.S. Appl. No. 13/597,108.
- USPTO; Final Office Action dated Jun. 1, 2015 in U.S. Appl. No. 13/597,108.
- USPTO; Non-Final Office Action dated Dec. 8, 2015 in U.S. Appl. No. 13/597,108.
- USPTO; Final Office Action dated Jun. 2, 2016 in U.S. Appl. No. 13/597,108.
- USPTO; Non-Final Office Action dated Sep. 15, 2016 in U.S. Appl. No. 13/597,108.
- USPTO; Notice of Allowance dated Mar. 27, 2014 in U.S. Appl. No. 13/604,498.
- USPTO; Office Action dated Nov. 15, 2013 in U.S. Appl. No. 13/612,538.
- USPTO; Office Action dated Jul. 10, 2014 in U.S. Appl. No. 13/612,538.
- USPTO; Non-Final Office Action dated Apr. 15, 2015 in U.S. Appl. No. 13/646,403.

(56)

References Cited

OTHER PUBLICATIONS

- USPTO; Final Office Action dated Oct. 15, 2015 in U.S. Appl. No. 13/646,403.
- USPTO; Notice of Allowance dated Feb. 2, 2016 in U.S. Appl. No. 13/646,403
- USPTO; Non-Final Office Action dated May 15, 2014 in U.S. Appl. No. 13/646,471.
- USPTO; Final Office Action dated Aug. 18, 2014 in U.S. Appl. No. 13/646,471.
- USPTO; Non-Final Office Action dated Dec. 16, 2014 in U.S. Appl. No. 13/646,471.
- USPTO; Final Office Action dated Apr. 21, 2015 in U.S. Appl. No. 13/646,471.
- USPTO; Non-Final Office Action dated Aug. 19, 2015 in U.S. Appl. No. 13/646,471.
- USPTO; Final Office Action dated Jan. 22, 2016 in U.S. Appl. No. 13/646,471.
- USPTO; Non-Final Office Action dated Jun. 2, 2016 in U.S. Appl. No. 13/646,471.
- USPTO; Non-Final Office Action dated May 28, 2015 in U.S. Appl. No. 13/651,144.
- USPTO; Final Office Action dated Sep. 30, 2016 in U.S. Appl. No. 14/808,979.
- USPTO; Final Office Action dated Nov. 19, 2015 in U.S. Appl. No. 13/651,144.
- USPTO; Non-Final Office Action dated May 10, 2016 in U.S. Appl. No. 13/651,144.
- USPTO; Final Office Action dated Sep. 20, 2016 in U.S. Appl. No. 13/651,144.
- USPTO; Non-Final Office Action dated May 17, 2017 in U.S. Appl. No. 13/651,144.
- USPTO; Final Office Action dated Dec. 14, 2017 in U.S. Appl. No. 13/651,144.
- USPTO; Non-Final Office Action dated Nov. 19, 2015 in U.S. Appl. No. 14/659,437.
- USPTO; Final Office Action dated Mar. 17, 2016 in U.S. Appl. No. 14/659,437.
- USPTO; Notice of Allowance dated May 31, 2016 in U.S. Appl. No. 14/659,437.
- USPTO; Non-Final Office Action dated Jun. 18, 2015 in U.S. Appl. No. 13/665,366.
- USPTO; Non-Final Office Action dated Apr. 3, 2015 in U.S. Appl. No. 13/677,133.
- USPTO; Notice of Allowance dated Aug. 4, 2015 in U.S. Appl. No. 13/677,133.
- USPTO; Office Action dated Jun. 2, 2014 in U.S. Appl. No. 13/677,151.
- USPTO; Final Office Action dated Nov. 14, 2014 in U.S. Appl. No. 13/677,151.
- USPTO; Notice of Allowance dated Feb. 26, 2015 in U.S. Appl. No. 13/677,151.
- USPTO; Non-Final Office Action dated Aug. 20, 2013 in U.S. Appl. No. 13/679,502.
- USPTO; Final Office Action dated Feb. 25, 2014 in U.S. Appl. No. 13/679,502.
- USPTO; Notice of Allowance dated May 2, 2014 in U.S. Appl. No. 13/679,502.
- USPTO; Non-Final Office Action dated Jul. 21, 2015 in U.S. Appl. No. 13/727,324.
- USPTO; Final Office Action dated Jan. 22, 2016 in U.S. Appl. No. 13/727,324.
- USPTO; Non-Final Office Action dated 05/25/206 in U.S. Appl. No. 13/727,324.
- USPTO; Final Office Action dated Dec. 1, 2016 in U.S. Appl. No. 13/727,324.
- USPTO; Notice of Allowance dated Mar. 1, 2017 in U.S. Appl. No. 13/727,324.
- USPTO; Non-Final Office Action dated Oct. 24, 2013 in U.S. Appl. No. 13/749,878.
- USPTO; Non-Final Office Action dated Jun. 18, 2014 in U.S. Appl. No. 13/749,878.
- USPTO; Final Office Action dated Dec. 10, 2014 in U.S. Appl. No. 13/749,878.
- USPTO; Notice of Allowance Mar. 13, 2015 dated in U.S. Appl. No. 13/749,878.
- USPTO; Office Action dated Apr. 23, 2014 in U.S. Appl. No. 13/784,362.
- USPTO; Notice of Allowance dated Aug. 13, 2014 in U.S. Appl. No. 13/784,362.
- USPTO; Non-Final Office Action dated Dec. 19, 2013 in U.S. Appl. No. 13/784,388.
- USPTO; Notice of Allowance dated Jun. 4, 2014 in U.S. Appl. No. 13/784,388.
- USPTO; Restriction Requirement dated May 8, 2014 in U.S. Appl. No. 13/791,246.
- USPTO; Non-Final Office Action dated Sep. 19, 2014 in U.S. Appl. No. 13/791,246.
- USPTO; Final Office Action dated Mar. 25, 2015 in U.S. Appl. No. 13/791,246.
- USPTO; Non-Final Office Action dated Oct. 26, 2015 in U.S. Appl. No. 13/791,246.
- USPTO; Final Office Action dated Apr. 20, 2016 in U.S. Appl. No. 13/791,246.
- USPTO; Non-Final Office Action dated Aug. 11, 2016 in U.S. Appl. No. 13/791,246.
- USPTO; Notice of Allowance dated Nov. 25, 2016 in U.S. Appl. No. 13/791,246.
- USPTO; Non-Final Office Action dated Nov. 6, 2015 in U.S. Appl. No. 13/791,339.
- USPTO; Final Office Action dated Apr. 12, 2016 in U.S. Appl. No. 13/791,339.
- USPTO; Notice of Allowance dated Aug. 24, 2016 in U.S. Appl. No. 13/791,339.
- USPTO; Non-Final Office Action dated Mar. 21, 2014 in U.S. Appl. No. 13/799,708.
- USPTO; Notice of Allowance dated Oct. 31, 2014 in U.S. Appl. No. 13/799,708.
- USPTO; Non-Final Office Action dated Sep. 1, 2016 in U.S. Appl. No. 14/827,177.
- USPTO; Restriction Requirement dated Jun. 26, 2014 in U.S. Appl. No. 13/874,708.
- USPTO; Non-Final Office Action dated Oct. 9, 2014 in U.S. Appl. No. 13/874,708.
- USPTO; Notice of Allowance dated Mar. 10, 2015 in U.S. Appl. No. 13/874,708.
- USPTO; Notice of Allowance dated Apr. 10, 2014 in U.S. Appl. No. 13/901,341.
- USPTO; Notice of Allowance dated Jun. 6, 2014 in U.S. Appl. No. 13/901,341.
- USPTO; Non-Final Office Action dated Jan. 2, 2015 in U.S. Appl. No. 13/901,372.
- USPTO; Final Office Action dated Apr. 16, 2015 in U.S. Appl. No. 13/901,372.
- USPTO; Non-Final Office Action dated Jul. 8, 2015 in U.S. Appl. No. 13/901,400.
- USPTO; Final Office Action dated Jan. 14, 2016 in U.S. Appl. No. 13/901,400.
- USPTO; Notice of Allowance dated Apr. 12, 2016 in U.S. Appl. No. 13/901,400.
- USPTO; Notice of Allowance dated Aug. 5, 2015 in U.S. Appl. No. 13/901,372.
- USPTO; Non-Final Office Action dated Apr. 24, 2014 in U.S. Appl. No. 13/912,666.
- USPTO; Final Office Action dated Sep. 25, 2014 in U.S. Appl. No. 13/912,666.
- USPTO; Non-Final Office Action dated Jan. 26, 2015 in U.S. Appl. No. 13/912,666.
- USPTO; Notice of Allowance dated Jun. 25, 2015 in U.S. Appl. No. 13/912,666.
- USPTO; Non-Final Office Action dated Dec. 16, 2014 in U.S. Appl. No. 13/915,732.

(56)

References Cited

OTHER PUBLICATIONS

- USPTO; Final Office Action dated Apr. 10, 2015 in U.S. Appl. No. 13/915,732.
- USPTO; Notice of Allowance dated Jun. 19, 2015 in U.S. Appl. No. 13/915,732.
- USPTO; Notice of Allowance dated Mar. 17, 2015 in U.S. Appl. No. 13/923,197.
- USPTO; Non-Final Office Action dated Sep. 12, 2014 in U.S. Appl. No. 13/941,134.
- USPTO; Notice of Allowance dated Jan. 20, 2015 in U.S. Appl. No. 13/941,134.
- USPTO; Restriction Requirement dated Apr. 30, 2015 in U.S. Appl. No. 13/941,216.
- USPTO; Non-Final Office Action dated Jul. 30, 2015 in U.S. Appl. No. 13/941,216.
- USPTO; Non-Final Office Action dated Jun. 15, 2016 in U.S. Appl. No. 13/941,216.
- USPTO; Notice of Allowance dated Sep. 13, 2016 in U.S. Appl. No. 13/941,216.
- USPTO; Restriction Requirement dated Sep. 16, 2014 in U.S. Appl. No. 13/948,055.
- USPTO; Non-Final Office Action dated Oct. 30, 2014 in U.S. Appl. No. 13/948,055.
- USPTO; Non-Final Office Action dated Jun. 29, 2015 in U.S. Appl. No. 13/966,782.
- USPTO; Final Office Action dated Jan. 04, 2016 in U.S. Appl. No. 13/966,782.
- USPTO; Notice of Allowance dated Oct. 7, 2015 in U.S. Appl. No. 13/973,777.
- USPTO; Non-Final Office Action dated Feb. 20, 2015 in U.S. Appl. No. 14/018,231.
- USPTO; Notice of Allowance dated Jul. 20, 2015 in U.S. Appl. No. 14/018,231.
- USPTO; Restriction Requirement Action dated Jan. 28, 2015 in U.S. Appl. No. 14/018,345.
- USPTO; Non-Final Office Action dated Apr. 7, 2015 in U.S. Appl. No. 14/018,345.
- USPTO; Final Office Action dated Sep. 14, 2015 in U.S. Appl. No. 14/018,345.
- USPTO; Notice of Allowance dated Jan. 14, 2016 in U.S. Appl. No. 14/018,345.
- USPTO; Notice of Allowance dated Mar. 17, 2016 in U.S. Appl. No. 14/018,345.
- USPTO; Non-Final Office Action dated Mar. 26, 2015 in U.S. Appl. No. 14/031,982.
- USPTO; Final Office Action dated Aug. 28, 2015 in U.S. Appl. No. 14/031,982.
- USPTO; Notice of Allowance dated Nov. 17, 2015 in U.S. Appl. No. 14/031,982.
- USPTO; Non-Final Office Action dated Apr. 28, 2015 in U.S. Appl. No. 14/040,196.
- USPTO; Notice of Allowance dated Sep. 11, 2015 in U.S. Appl. No. 14/040,196.
- USPTO; Non-Final Action dated Dec. 3, 2015 in U.S. Appl. No. 14/050,150.
- USPTO; Final Office Action dated Jun. 15, 2016 in U.S. Appl. No. 14/050,150.
- USPTO; Final Office Action dated Jul. 8, 2016 in U.S. Appl. No. 14/050,150.
- USPTO; Notice of Allowance dated Oct. 20, 2016 in U.S. Appl. No. 14/050,150.
- USPTO; Non-Final Office Action dated Dec. 15, 2014 in U.S. Appl. No. 14/065,114.
- USPTO; Final Office Action dated Jun. 19, 2015 in U.S. Appl. No. 14/065,114.
- USPTO; Non-Final Office Action dated Oct. 7, 2015 in U.S. Appl. No. 14/065,114.
- USPTO; Notice of Allowance dated Feb. 22, 2016 in U.S. Appl. No. 14/065,114.
- USPTO; Non-Final Office Action dated Nov. 14, 2014 in U.S. Appl. No. 14/069,244.
- USPTO; Notice of Allowance dated Mar. 25, 2015 in U.S. Appl. No. 14/069,244.
- USPTO; Non-Final Office Action dated Sep. 9, 2015 in U.S. Appl. No. 14/090,750.
- USPTO; Final Office Action dated Feb. 11, 2016 U.S. Appl. No. 14/090,750.
- USPTO; Non-Final Office Action dated Jun. 14, 2016 in U.S. Appl. No. 14/090,750.
- USPTO; Final Office Action dated Sep. 28, 2016 in U.S. Appl. No. 14/090,750.
- USPTO; Non-Final Office Action dated Jun. 23, 2017 in U.S. Appl. No. 14/090,750.
- USPTO; Final Office Action dated Nov. 17, 2017 in U.S. Appl. No. 14/090,750.
- USPTO; Non-Final Office Action dated Mar. 19, 2015 in U.S. Appl. No. 14/079,302.
- USPTO; Final Office Action dated Sep. 1, 2015 in U.S. Appl. No. 14/079,302.
- USPTO; Non-Final Office Action dated Apr. 27, 2016 in U.S. Appl. No. 14/079,302.
- USPTO; Final Office Action dated Aug. 22, 2016 in U.S. Appl. No. 14/079,302.
- USPTO; Notice of Allowance dated Dec. 14, 2016 in U.S. Appl. No. 14/079,302.
- USPTO; Non-Final Office Action dated Mar. 19, 2015 in U.S. Appl. No. 14/166,462.
- USPTO; Notice of Allowance dated Sep. 3, 2015 in U.S. Appl. No. 14/166,462.
- USPTO; Non-Final Office Action dated Nov. 17, 2015 in U.S. Appl. No. 14/172,220.
- USPTO; Office Action dated May 29, 2014 in U.S. Appl. No. 14/183,187.
- USPTO; Final Office Action dated Nov. 7, 2014 in U.S. Appl. No. 14/183,187.
- USPTO; Non-Final Office Action dated Mar. 16, 2015 in U.S. Appl. No. 14/183,187.
- USPTO; Final Office Action dated Jul. 10, 2015 in U.S. Appl. No. 14/183,187.
- USPTO; Non-Final Office Action dated Jan. 11, 2016 in U.S. Appl. No. 14/188,760.
- USPTO; Final Office Action dated Aug. 25, 2016 in U.S. Appl. No. 14/188,760.
- USPTO; Advisory Action dated Jan. 12, 2017 in U.S. Appl. No. 14/188,760.
- USPTO; Non-Final Office Action dated Mar. 23, 2017 in U.S. Appl. No. 14/188,760.
- USPTO; Final Office Action dated Oct. 5, 2017 in U.S. Appl. No. 14/188,760.
- USPTO; Advisory Action dated Jan. 3, 2018 in U.S. Appl. No. 14/188,760.
- USPTO; Non-Final Office Action dated Oct. 8, 2015 in U.S. Appl. No. 14/218,374.
- USPTO; Final Office Action dated Feb. 23, 2016 in U.S. Appl. No. 14/218,374.
- USPTO; Restriction Requirement dated May 20, 2016 in U.S. Appl. No. 14/218,690.
- USPTO; Non-Final Office Action dated Jul. 15, 2016 in U.S. Appl. No. 14/218,690.
- USPTO; Final Office Action dated Nov. 14, 2016 in U.S. Appl. No. 14/218,690.
- USPTO; Non-Final Office Action dated Apr. 6, 2017 in U.S. Appl. No. 14/218,690.
- USPTO; Final Office Action dated Jul. 20, 2017 in U.S. Appl. No. 14/218,690.
- USPTO; Non-Final Office Action dated Jan. 11, 2018 in U.S. Appl. No. 14/218,690.
- USPTO; Non-Final Office Action dated Sep. 22, 2015 in U.S. Appl. No. 14/219,839.
- USPTO; Final Office Action dated Mar. 25, 2016 in U.S. Appl. No. 14/219,839.

(56)

References Cited

OTHER PUBLICATIONS

- USPTO; Non-Final Office Action dated Dec. 22, 2016 in U.S. Appl. No. 14/219,839.
- USPTO; Non-Final Office Action dated Nov. 25, 2015 in U.S. Appl. No. 14/219,879.
- USPTO; Non-Final Office Action dated Dec. 23, 2016 in U.S. Appl. No. 14/219,879.
- USPTO; Final Office Action dated Jul. 6, 2017 in U.S. Appl. No. 14/219,879.
- USPTO; Non-Final Office Action dated Sep. 18, 2015 in U.S. Appl. No. 14/244,689.
- USPTO; Notice of Allowance dated Feb. 11, 2016 in U.S. Appl. No. 14/244,689.
- USPTO; Non-Final Office Action dated Oct. 7, 2015 in U.S. Appl. No. 14/246,969.
- USPTO; Final Office Action dated May 4, 2016 in U.S. Appl. No. 14/246,969.
- USPTO; Non-Final Office Action dated Aug. 12, 2016 in U.S. Appl. No. 14/246,969.
- USPTO; Non-Final Office Action dated Nov. 20, 2015 in U.S. Appl. No. 14/260,701.
- USPTO; Notice of Allowance dated Jun. 2, 2016 in U.S. Appl. No. 14/260,701.
- USPTO; Notice of Allowance dated Feb. 23, 2016 in U.S. Appl. No. 14/327,134.
- USPTO; Non-Final Office Action dated Aug. 19, 2015 in U.S. Appl. No. 14/268,348.
- USPTO; Non-Final Office Action dated Jan. 6, 2016 in U.S. Appl. No. 14/268,348.
- USPTO; Final Office Action dated Apr. 29, 2016 in U.S. Appl. No. 14/268,348.
- USPTO; Non-Final Office Action dated Oct. 20, 2015 in U.S. Appl. No. 14/281,477.
- USPTO; Non-Final Office Action dated Jan. 13, 2017 in U.S. Appl. No. 14/444,744.
- USPTO; Final Office Action dated Jul. 10, 2017 in U.S. Appl. No. 14/444,744.
- USPTO; Non-Final Office Action dated Nov. 29, 2017 in U.S. Appl. No. 14/444,744.
- USPTO; Non-Final Office Action dated May 18, 2016 in U.S. Appl. No. 14/449,838.
- USPTO; Non-Final Office Action dated Feb. 12, 2015 in U.S. Appl. No. 14/457,058.
- USPTO; Final Office Action dated Jul. 14, 2015 in U.S. Appl. No. 14/457,058.
- USPTO; Non-Final Office Action dated Nov. 6, 2015 in U.S. Appl. No. 14/457,058.
- USPTO; Final Office Action dated Jun. 17, 2016 in U.S. Appl. No. 14/457,058.
- USPTO; Non-Final Office Action dated Oct. 6, 2016 in U.S. Appl. No. 14/457,058.
- USPTO; Final Office Action dated May 4, 2017 in U.S. Appl. No. 14/457,058.
- USPTO; Non-Final Office Action dated Sep. 16, 2016 in U.S. Appl. No. 14/465,252.
- USPTO; Final Office Action dated Nov. 1, 2016 in U.S. Appl. No. 14/465,252.
- USPTO; Non-Final Office Action dated Mar. 6, 2017 in U.S. Appl. No. 14/465,252.
- USPTO; Final Office Action dated Jun. 9, 2017 in U.S. Appl. No. 14/465,252.
- USPTO; Notice of Allowance dated Oct. 3, 2017 in U.S. Appl. No. 14/465,252.
- USPTO; Non-Final Office Action dated Nov. 24, 2015 in U.S. Appl. No. 14/498,036.
- USPTO; Final Office Action dated Apr. 5, 2016 in U.S. Appl. No. 14/498,036.
- USPTO; Non-Final Office Action dated Apr. 10, 2015 in U.S. Appl. No. 14/505,290.
- USPTO; Notice of Allowance dated Aug. 21, 2015 in U.S. Appl. No. 14/505,290.
- USPTO; Non-Final Office Action dated Dec. 17, 2015 in U.S. Appl. No. 14/508,296.
- USPTO; Final Office Action dated May 26, 2016 in U.S. Appl. No. 14/508,296.
- USPTO; Non-Final Office Action dated Sep. 8, 2016 in U.S. Appl. No. 14/508,296.
- USPTO; Final Office Action dated Dec. 7, 2016 in U.S. Appl. No. 14/508,296.
- USPTO; Non-Final Office Action dated Apr. 6, 2017 in U.S. Appl. No. 14/508,489.
- USPTO; Final Office Action dated Oct. 4, 2017 in U.S. Appl. No. 14/508,489.
- USPTO; Non-Final Office Action dated Jan. 16, 2015 in U.S. Appl. No. 14/563,044.
- USPTO; Final Office Action dated Jul. 16, 2015 in U.S. Appl. No. 14/563,044.
- USPTO; Notice of Allowance dated Oct. 15, 2015 in U.S. Appl. No. 14/563,044.
- USPTO; Notice of Allowance dated Dec. 2, 2015 in U.S. Appl. No. 14/563,044.
- USPTO; Non-Final Office Action dated May 4, 2016 in U.S. Appl. No. 14/568,647.
- USPTO; Final Office Action dated Sep. 29, 2016 in U.S. Appl. No. 14/568,647.
- USPTO; Non-Final Office Action dated Feb. 2, 2017 in U.S. Appl. No. 14/568,647.
- USPTO; Final Office Action dated May 19, 2017 in U.S. Appl. No. 14/568,647.
- USPTO; Non-Final Office Action dated Sep. 14, 2017 in U.S. Appl. No. 14/568,647.
- USPTO; Final Office Action dated Jan. 23, 2018 in U.S. Appl. No. 14/568,647.
- USPTO; Non-Final Office Action dated Oct. 1, 2015 in U.S. Appl. No. 14/571,126.
- USPTO; Final Office Action dated Feb. 22, 2016 in U.S. Appl. No. 14/571,126.
- USPTO; Notice of Allowance dated Jun. 2, 2016 in U.S. Appl. No. 14/571,126.
- USPTO; Non-Final Office Action dated Nov. 25, 2015 in U.S. Appl. No. 14/598,532.
- USPTO; Notice of Allowance dated May 16, 2016 in U.S. Appl. No. 14/598,532.
- USPTO; Non-Final Office Action dated Jan. 15, 2016 in U.S. Appl. No. 14/606,364.
- USPTO; Final Office Action dated Jan. 12, 2017 in U.S. Appl. No. 14/606,364.
- USPTO; Non-Final Office Action dated May 10, 2017 in U.S. Appl. No. 14/606,364.
- USPTO; Non-Final Office Action dated Mar. 3, 2016 in U.S. Appl. No. 14/622,603.
- USPTO; Non-Final Office Action dated Oct. 19, 2017 in U.S. Appl. No. 14/645,234.
- USPTO; Non-Final Office Action dated Jun. 7, 2017 in U.S. Appl. No. 14/656,588.
- USPTO; Final Office Action dated Dec. 26, 2017 in U.S. Appl. No. 14/656,588.
- USPTO; Non-Final Office Action dated Mar. 21, 2016 in U.S. Appl. No. 14/659,152.
- USPTO; Final Office Action dated Jul. 29, 2016 in U.S. Appl. No. 14/659,152.
- USPTO; Notice of Allowance dated Nov. 22, 2016 in U.S. Appl. No. 14/659,152.
- USPTO; Restriction Requirement dated Sep. 11, 2017 in U.S. Appl. No. 14/660,755.
- USPTO; Notice of Allowance dated Oct. 2, 2017 in U.S. Appl. No. 14/660,755.
- USPTO; Notice of Allowance dated Mar. 25, 2016 in U.S. Appl. No. 14/693,138.
- USPTO; Non-Final Office Action dated Aug. 3, 2017 in U.S. Appl. No. 14/752,712.

(56)

References Cited

OTHER PUBLICATIONS

- USPTO; Final Office Action dated Nov. 29, 2017 in U.S. Appl. No. 14/752,712.
- USPTO; Non-Final Office Action dated Nov. 29, 2017 in U.S. Appl. No. 14/793,323.
- USPTO; Non-Final Office Action dated Jun. 16, 2017 in U.S. Appl. No. 14/798,136.
- USPTO; Notice of Allowance dated Oct. 5, 2017 in U.S. Appl. No. 14/798,136.
- USPTO; Non-Final Office Action dated Mar. 30, 2016 in U.S. Appl. No. 14/808,979.
- USPTO; Non-Final Office Action dated Dec. 20, 2016 in U.S. Appl. No. 14/808,979.
- USPTO; Final Office Action dated Jun. 8, 2017 in U.S. Appl. No. 14/808,979.
- USPTO; Non-Final Office Action dated Sep. 9, 2016 in U.S. Appl. No. 14/829,565.
- USPTO; Final Office Action dated Feb. 9, 2017 in U.S. Appl. No. 14/829,565.
- USPTO; Non-Final Office Action dated Sep. 19, 2017 in U.S. Appl. No. 14/829,565.
- USPTO; Non-Final Office Action dated Apr. 29, 2016 in U.S. Appl. No. 14/835,637.
- USPTO; Final Office Action dated Nov. 25, 2016 in U.S. Appl. No. 14/835,637.
- USPTO; Notice of Allowance dated Apr. 25, 2017 in U.S. Appl. No. 14/835,637.
- USPTO; Non-Final Office Action dated Jul. 29, 2016 in U.S. Appl. No. 14/884,695.
- USPTO; Final Office Action dated Feb. 9, 2017 in U.S. Appl. No. 14/884,695.
- USPTO; Non-Final Office Action dated May 18, 2017 in U.S. Appl. No. 14/884,695.
- USPTO; Notice of Allowance dated Oct. 20, 2017 in U.S. Appl. No. 14/884,695.
- USPTO; Non-Final Office Action dated May 18, 2017 in U.S. Appl. No. 14/886,571.
- USPTO; Final Office Action dated Sep. 21, 2017 in U.S. Appl. No. 14/886,571.
- USPTO; Notice of Allowance dated Dec. 6, 2017 in U.S. Appl. No. 14/886,571.
- USPTO; Non-Final Office Action dated Dec. 1, 2016 in U.S. Appl. No. 14/919,536.
- USPTO; Final Office Action dated Mar. 28, 2017 in U.S. Appl. No. 14/919,536.
- USPTO; Non-Final Office Action dated Aug. 29, 2017 in U.S. Appl. No. 14/919,536.
- USPTO; Non-Final Office Action dated Dec. 15, 2016 in U.S. Appl. No. 14/938,180.
- USPTO; Notice of Allowance dated Nov. 9, 2017 in U.S. Appl. No. 14/938,180.
- USPTO; Non-Final Office Action dated Apr. 14, 2017 in U.S. Appl. No. 14/956,115.
- USPTO; Final Office Action dated Jul. 21, 2017 in U.S. Appl. No. 14/956,115.
- USPTO; Notice of Allowance dated Dec. 14, 2017 in U.S. Appl. No. 14/956,115.
- USPTO; Notice of Allowance dated Feb. 3, 2017 in U.S. Appl. No. 14/977,291.
- USPTO; Non-Final Office Action dated Aug. 12, 2016 in U.S. Appl. No. 14/981,434.
- USPTO; Non-Final Office Action dated Jan. 12, 2017 in U.S. Appl. No. 14/981,468.
- USPTO; Notice of Allowance dated Jun. 7, 2017 in U.S. Appl. No. 14/981,468.
- USPTO; Non-Final Office Action dated Mar. 22, 2016 in U.S. Appl. No. 14/987,420.
- USPTO; Non-Final Office Action dated Dec. 14, 2016 in U.S. Appl. No. 14/997,683.
- USPTO; Final Office Action dated Apr. 14, 2017 in U.S. Appl. No. 14/997,683.
- USPTO; Non-Final Office Action dated Sep. 1, 2017 in U.S. Appl. No. 14/997,683.
- USPTO; Non-Final Office Action dated Sep. 23, 2016 in U.S. Appl. No. 15/048,422.
- USPTO; Notice of Allowance dated May 4, 2017 in U.S. Appl. No. 15/048,422.
- USPTO; Non-Final Office Action dated Aug. 4, 2017 in U.S. Appl. No. 15/050,159.
- USPTO; Non-Final Office Action dated Jan. 9, 2018 in U.S. Appl. No. 15/135,224.
- USPTO; Non-Final Office Action dated Jan. 9, 2018 in U.S. Appl. No. 15/135,258.
- USPTO; Non-Final Office Action dated Jan. 9, 2018 in U.S. Appl. No. 15/135,333.
- USPTO; Final Office Action dated May 26, 2017 in U.S. Appl. No. 15/144,481.
- USPTO; Non-Final Office Action dated Sep. 21, 2017 in U.S. Appl. No. 15/144,481.
- USPTO; Non-Final Office Action dated Apr. 13, 2017 in U.S. Appl. No. 15/144,506.
- USPTO; Final Office Action dated Oct. 10, 2017 in U.S. Appl. No. 15/144,506.
- USPTO; Non-Final Office Action dated Nov. 29, 2016 in U.S. Appl. No. 15/203,642.
- USPTO; Final Office Action dated Apr. 13, 2017 in U.S. Appl. No. 15/203,642.
- USPTO; Notice of Allowance dated Aug. 7, 2017 in U.S. Appl. No. 15/203,642.
- USPTO; Non-Final Office Action dated Nov. 28, 2016 in U.S. Appl. No. 15/203,632.
- USPTO; Notice of Allowance dated Sep. 20, 2017 in U.S. Appl. No. 15/203,632.
- USPTO; Non-Final Office Action dated Jun. 1, 2017 in U.S. Appl. No. 15/205,827.
- USPTO; Final Office Action dated Oct. 16, 2017 in U.S. Appl. No. 15/205,827.
- USPTO; Non-Final Office Action dated Mar. 31, 2017 in U.S. Appl. No. 15/205,890.
- USPTO; Notice of Allowance dated Oct. 16, 2017 in U.S. Appl. No. 15/205,890.
- USPTO; Non-Final Office Action dated Apr. 21, 2017 in U.S. Appl. No. 15/222,715.
- USPTO; Notice of Allowance dated Jul. 14, 2017 in U.S. Appl. No. 15/222,715.
- USPTO; Notice of Allowance dated Sep. 27, 2017 in U.S. Appl. No. 15/222,715.
- USPTO; Non-Final Office Action dated Feb. 3, 2017 in U.S. Appl. No. 15/222,738.
- USPTO; Notice of Allowance dated May 22, 2017 in U.S. Appl. No. 15/222,738.
- USPTO; Notice of Allowance dated Aug. 23, 2017 in U.S. Appl. No. 15/222,738.
- USPTO; Non-Final Office Action dated Jan. 17, 2017 in U.S. Appl. No. 15/222,749.
- USPTO; Final Office Action dated May 5, 2017 in U.S. Appl. No. 15/222/749.
- USPTO; Non-Final Office Action dated Sep. 7, 2017 in U.S. Appl. No. 15/222,749.
- USPTO; Non-Final Office Action dated Jan. 3, 2017 in U.S. Appl. No. 15/222,780.
- USPTO; Final Office Action dated May 5, 2017 in U.S. Appl. No. 15/222,780.
- USPTO; Non-Final Office Action dated Sep. 7, 2017 in U.S. Appl. No. 15/222,780.
- USPTO; Non-Final Office Action dated Aug. 28, 2017 in U.S. Appl. No. 15/254,724.
- USPTO; Notice of Allowance dated Jan. 17, 2018 in U.S. Appl. No. 15/254,724.
- USPTO; Non-Final Office Action dated Oct. 23, 2017 in U.S. Appl. No. 15/377,439.

(56)

References Cited

OTHER PUBLICATIONS

- USPTO; Notice of Allowance dated Oct. 11, 2017 in U.S. Appl. No. 15/380,895.
- USPTO; Non-Final Office Action dated Jan. 4, 2018 in U.S. Appl. No. 15/380,921.
- USPTO; Non-Final Office Action dated Oct. 3, 2017 in U.S. Appl. No. 15/388,410.
- USPTO; Non-Final Office Action dated Aug. 11, 2017 in U.S. Appl. No. 15/397,237.
- USPTO; Notice of Allowance dated Dec. 22, 2017 in U.S. Appl. No. 15/397,237.
- USPTO; Non-Final Office Action dated Apr. 12, 2017 in U.S. Appl. No. 15/397,319.
- USPTO; Final Office Action dated Jul. 12, 2017 in U.S. Appl. No. 15/397,319.
- USPTO; Notice of Allowance dated Dec. 15, 2017 in U.S. Appl. No. 15/397,319.
- USPTO; Notice of Allowance dated Oct. 6, 2017 in U.S. Appl. No. 15/450,199.
- USPTO; Non-Final Office Action dated Dec. 15, 2017 in U.S. Appl. No. 15/466,149.
- USPTO; Non-Final Office Action dated Dec. 6, 2017 in U.S. Appl. No. 15/476,035.
- USPTO; Non-Final Office Action dated Oct. 4, 2017 in U.S. Appl. No. 15/489,453.
- USPTO; Non-Final Office Action dated Jan. 16, 2018 in U.S. Appl. No. 15/499,647.
- USPTO; Non-Final Office Action dated Dec. 26, 2017 in U.S. Appl. No. 15/798,120.
- USPTO; Non-Final Office Action dated Mar. 16, 2015 in U.S. Appl. No. 29/447,298.
- USPTO; Notice of Allowance dated Jul. 6, 2015 in U.S. Appl. No. 29/447,298.
- USPTO; Notice of Allowance dated Nov. 26, 2014 in U.S. Appl. No. 29/481,301.
- USPTO; Notice of Allowance dated Feb. 17, 2015 in U.S. Appl. No. 29/481,308.
- USPTO; Notice of Allowance dated Jan. 12, 2015 in U.S. Appl. No. 29/481,312.
- USPTO; Notice of Allowance dated Apr. 30, 2015 in U.S. Appl. No. 29/481,315.
- USPTO; Notice of Allowance dated May 11, 2015 in U.S. Appl. No. 29/511,011.
- USPTO; Notice of Allowance dated May 11, 2015 in U.S. Appl. No. 29/514,153.
- USPTO; Notice of Allowance dated Dec. 14, 2015 in U.S. Appl. No. 29/514,264.
- PCT; International Search report and Written Opinion dated Nov. 12, 2010 in Application No. PCT/US2010/030126.
- PCT; International Preliminary Report on Patentability dated Oct. 11, 2011 Application No. PCT/US2010/030126.
- PCT; International Search report and Written Opinion dated Jan. 20, 2011 in Application No. PCT/US2010/045368.
- PCT; International Search report and Written Opinion dated Feb. 6, 2013 in Application No. PCT/US2012/065343.
- PCT; International Search report and Written Opinion dated Feb. 13, 2013 in Application No. PCT/US2012/065347.
- Chinese Patent Office; Office Action dated Jan. 10, 2013 in Application No. 201080015699.9.
- Chinese Patent Office; Office Action dated Jan. 12, 2015 in Application No. 201080015699.9.
- Chinese Patent Office; Office Action dated May 24, 2013 in Application No. 201080036764.6.
- Chinese Patent Office; Office Action dated Jan. 2, 2014 in Application No. 201080036764.6.
- Chinese Patent Office; Office Action dated Jul. 1, 2014 in Application No. 201080036764.6.
- Chinese Patent Office; Office Action dated Feb. 8, 2014 in Application No. 201110155056.
- Chinese Patent Office; Office Action dated Sep. 16, 2014 in Application No. 201110155056.
- Chinese Patent Office; Office Action dated Feb. 9, 2015 in Application No. 201110155056.
- Japanese Patent Office; Office Action dated Jan. 25, 2014 in Application No. 2012-504786.
- Japanese Patent Office; Office Action dated Dec. 1, 2014 in Application No. 2012-504786.
- Korean Patent Office; Office Action dated Dec. 10, 2015 in Application No. 10-2010-0028336.
- Taiwan Patent Office; Office Action dated Jul. 4, 2014 in Application No. 099110511.
- Taiwan Patent Office; Office Action dated Dec. 19, 2014 in Taiwan Application No. 099127063.
- Taiwan Patent Office; Office Action dated May 13, 2016 in Taiwan Application No. 101142582.
- Bearzotti, et al., "Fast Humidity Response of a Metal Halide-Doped Novel Polymer," *Sensors and Actuators B*, 7, pp. 451-454, (1992).
- Becker et al., "Atomic Layer Deposition of Insulating Hafnium and Zirconium Nitrides," *Chem. Mater.*, 16, 3497-3501 (2004).
- Bhatnagar et al., "Copper Interconnect Advances to Meet Moore's Law Milestones," *Solid State Technology*, 52, 10 (2009).
- Buriak, "Organometallic Chemistry on Silicon and Germanium Surfaces," *Chemical Reviews*, 102, 5 (2002).
- Cant et al., "Chemisorption Sites on Porous Silica Glass and on Mixed-Oxide Catalysis," *Can. J. Chem.* 46, 1373 (1968).
- Chang et al. "Small-Subthreshold-Swing and Low-Voltage Flexible Organic Thin-Film Transistors Which Use HfLaO as the Gate Dielectric," *IEEE Electron Device Letters*, Feb. 2009, pp. 133-135; vol. 30. No. 2; IEEE Electron Device Society.
- Chatterjee et al., "Sub-100nm Gate Length Metal Gate NMOS Transistors Fabricated by a Replacement by a Replacement Gate Process," *IEEE Semiconductor Process and Device Center*, 821-824 (1997).
- Chen et al., "A Self-Aligned Airgap Interconnect Scheme," *IEEE International Interconnect Technology Conference*, vol. 1-3, 146-148 (2009).
- Choi et al., "Improvement of Silicon Direct Bonding using Surfaces Activated by Hydrogen Plasma Treatment," *Journal of the Korean Physical Society*, 37, 6, 878-881 (2000).
- Choi et al., "Low Temperature Formation of Silicon Oxide Thin Films by Atomic Layer Deposition Using NH₃/O₂ Plasma," *ECS Solid State Letters*, 2(12) p. 114-p. 116 (2013).
- Coates, "Process Analytical Technology: Spectroscopic Tools and Implementation Strategies for the Chemical and Pharmaceutical Industries." Blackwell Publishing Ltd, 91-132, (2005).
- Crowell, "Chemical methods of thin film deposition: Chemical vapor deposition, atomic layer deposition, and related technologies," *Journal of Vacuum Science & Technology A* 21.5, (2003): S88-S95.
- Cui et al., "Impact of Reductive N₂/H₂ Plasma on Porous Low-Dielectric Constant SiCOH Thin Films," *Journal of Applied Physics* 97, 113302, 1-8 (2005).
- Dingemans et al., "Comparison Between Aluminum Oxide Surface Passivation Films Deposited with Thermal Aid," *Plasma Aid and Pevcd*, 35th IEEE PVCS, (Jun. 2010).
- Drummond et al., "Hydrophobic Radiofrequency Plasma-Deposited Polymer Films: Dielectric Properties and Surface Forces," *Colloids and Surfaces A*, 129-130, 117-129 (2006).
- Easley et al., "Thermal Isolation of Microchip Reaction Chambers for Rapid Non-Contact DNA Amplification," *J. Micromech. Microeng.* 17, 1758-1766 (2007).
- Ge et al., "Carbon Nanotube-Based Synthetic Gecko Tapes," *Department of Polymer Science, PNAS*, 10792-10795 (2007).
- George et al., "Atomic Layer Deposition: An Overview," *Chem. Rev.* 110, 111-131 (2010).
- Grill et al., "The Effect of Plasma Chemistry on the Damage Induced Porous SiCOH Dielectrics," *IBM Research Division, RC23683 (W0508-008), Materials Science*, 1-19 (2005).
- Gupta et al., "Conversion of Metal Carbides to Carbide Derived Carbon by Reactive Ion Etching in Halogen Gas," *Proceedings of SPIE—The International Society for Optical Engineering and Nanotechnologies for Space Applications*, ISSN: 0277-786X (2006).

(56)

References Cited

OTHER PUBLICATIONS

- Harrison et al., "Poly-gate Replacement Through Contact Hole (Pretch): A New Method for High-K/ Metal Gate and Multi-Oxide Implementation on Chip," IEEE (2004).
- Heo et al., "Structural Characterization of Nanoporous Low-Dielectric Constant SiCOH Films Using Organosilane Precursors," NSTI-Nanotech, vol. 4, 122-123 (2007).
- H.J. Yun et al., "Comparison of Atomic Scale Etching of Poly-Si in Inductively Coupled Ar and He Plasmas", Korean Journal of Chemical Engineering, vol. 24, 670-673 (2007).
- Hubert et al., "A Stacked SONOS Technology, up to 4 Levels and 6nm Crystalline Nanowires, With Gate-All-Around or Independent Gates (-Flash), Suitable for Full 3D Integration," Minatec, IEDM09-637-640 (2009).
- Jones et al., "Growth of Aluminium Films by Low Pressure Chemical Vapour Deposition Using Tertiarybutylaluminium," Journal of Crystal Growth 135, pp. 285-289, Elsevier Science B.V. (1994).
- Jones et al., "Recent Developments in Metalorganic Precursors for Metalorganic Chemical Vapour Deposition," Journal of Crystal Growth 146, pp. 503-510, Elsevier Science B.V. (1995).
- Jung et al., "Double Patterning of Contact Array with Carbon Polymer," Proc. Of SPIE, 6924, 69240C, 1-10 (2008).
- Katamreddy et al., "ALD and Characterization of Aluminum Oxide Deposited on Si(100) using Tris(diethylamino) Aluminum and Water Vapor," Journal of the Electrochemical Society, 153 (10) C701-C706 (2006).
- Kim et al., "Passivation Effect on Low-k S/OC Dielectrics by H₂ Plasma Treatment," Journal of the Korean Physical Society, 40, 1, 94-98 (2002).
- Kim et al., "Characteristics of Low Temperature High Quality Silicon Oxide by Plasma Enhanced Atomic Layer Deposition with In-Situ Plasma Densification Process," the Electrochemical Society, ECS Transactions. College of Information and Communication Engineerign, Sungkyunkwan University, 53(1).
- King, Plasma Enhanced Atomic Layer Deposition of SiN_x: H and SiO₂, J. Vac. Sci. Technol., A29(4) (2011).
- Kobayshi, et al., "Temperature Dependence of SiO₂ Film Growth with Plasma-Enhanced Atomic Layer Deposition," regarding Thin Solid Films, published by Elsevier in the International Journal on the Science and Technology of Condensed Matter, in vol. 520, No. 11, 3994-3998 (2012).
- Koo et al., "Characteristics of Al₂O₃ Thin Films Deposited Using Dimethylaluminum Isopropoxide and Trimethylaluminum Precursors by the Plasma-Enhanced Atomic-Layer Deposition Method," Journal of Physical Society, 48, 1, 131-136 (2006).
- Koutsokeras et al. "Texture and Microstructure Evolution in Single-Phase Ti_xTa_{1-x}N Alloys of Rocksalt Structure," Journal of Applied Physics, 110, pp. 043535-1-043535-6, (2011).
- Klug et al., "Atomic Layer Deposition of Amorphous Niobium Carbide-Based Thin Film Superconductors," The Journal of Physical Chemistry, 115, 25063-25071 (2011).
- Knoops et al., "Atomic Layer Deposition of Silicon Nitride from Bis(tert-butyloamino) silane and N₂ Plasma," Applied Materials & Interfaces, American Chemical Society, A-E (2015).
- Krenek et al. "IR Laser CVD of Nanodisperse Ge—Si—Sn Alloys Obtained by Dielectric Breakdown of GeH₄/SiH₄/SnH₄ Mixtures", NanoCon 2014, Nov. 5-7, Brno, Czech Republic, EU.
- Kurosawa et al., "Synthesis and Characterization of Plasma-Polymerized Hexamethyldisiloxane Films," Thin Solid Films, 506-507, 176-179 (2006).
- Lanford et al., "The Hydrogen Content of Plasmadeposited Silicon Nitride," J. Appl. Phys., 49, 2473 (1978).
- Lee et al., Layer Selection by Multi-Level Permutation in 3-D Stacked NAND Flash Memory, IEEE Electron Device Letters, vol. 37, No. 7, 866-869 (2016).
- Lieberman, et al., "Principles of Plasma Discharges and Materials Processing," Second Edition, 368-381.
- Lim et al., "Low-Temperature Growth of SiO₂ Films by Plasma-Enhanced Atomic Layer Deposition," ETRI Journal, 27 (1), 118-121 (2005).
- Liu et al., "Research, Design, and Experiment of End Effector for Wafer Transfer Robot," Industrial Robot: An International Journal, 79-91 (2012).
- Mackus et al., "Optical Emission Spectroscopy as a Tool for Studying Optimizing, and Monitoring Plasma-Assisted Atomic Layer Deposition Processes," Journal of Vacuum Science and Technology, 77-87 (2010).
- Maeno, "Gecko Tape Using Carbon Nanotubes," Nitto Denko Gihou, 47, 48-51.
- Maeng et al. Electrical properties of atomic layer disposition HfO₂ and HfO_xNy on Si substrates with various crystal orientations, Journal of the Electrochemical Society, 2008-04, p. H267-H271, vol. 155, No. 4, Department of Materials Science and Engineering, Pohang University of Science and Technology, Pohang, Korea.
- Marsik et al., "Effect of Ultraviolet Curing Wavelength on Low-k Dielectric Material Properties and Plasma Damage Resistance," Sciencedirect.com, 519, 11, 3619-3626 (2011).
- Mason et al., "Hydrolysis of Tri-tert-butylaluminum: The First Structural Characterization of Alkylalumoxanes [(R₂Al)₂O]_n and (RAIO)_n," J. American Chemical Society, vol. 115, No. 12, pp. 4971-4984 (1993).
- Massachusetts Institute of Technology Lincoln Laboratory, "Solid State Research," Quarterly Technical Report (1995).
- Meng et al., "Atomic Layer of Deposition of Silicon Nitride Thin Films: A Review of Recent Progress, Challenges, and Outlooks," Materials, 9, 1007 (2016).
- Moeen, "Design, Modelling and Characterization of Si/SiGe Structures for IR Bolometer Applications," KTH Royal Institute of Technology. Information and Communication Technology, Department of Integrated Devices and Circuits, Stockholm Sweden (2015).
- Morishige et al., "Thermal Desorption and Infrared Studies of Ammonia Amines and Pyridines Chemisorbed on Chromic Oxide," J.Chem. Soc., Faraday Trans. 1, 78, 2947-2957 (1982).
- Mosleh et al., "Enhancement of Material Quality of (Si)GeSn Films Grown by SnCl₄ Precursor," ECS Transactions, 69 (5), 279-285 (2015).
- Mukai et al., "A Study of CD Budget in Spacer Patterning Technology," Proc. Of SPIE, 6924, 1-8 (2008).
- Nigamananda et al., "Low-Temperature (<200°C) Plasma. Enhanced Atomic Deposition of Dense Titanium Nitride Thin Films."
- Nogueira et al., "Production of Highly Hydrophobic Films Using Low Frequency and High Density Plasma," Revista Brasileira de Aplicacoes de Vacuo, 25(1), 45-53 (2006).
- Novaro et al. Theoretical Study on a Reaction Pathway of Ziegler-Natta-Type Catalysis, J. Chem. Phys. 68(5), Mar. 1, 1978 p. 2337-2351.
- S. Okamoto et al., "Luminescent Properties of Pr³⁺—sensitized LaPO₄: Gd³⁺ Ultraviolet-B Phosphor Under Vacuum-Ultraviolet Light Excitation," J. App. Phys. 106, 013522 (2009).
- Park "Substituted Aluminum Metal Gate on High-K Dielectric for Low Work-Function and Fermi-Level Pinning Free," 4 pages, IEEE 0-7803-8684-1/04 (2004).
- Portet et al., "Impact of Synthesis Conditions on Surface Chemistry and Structure of Carbide-Derived Carbons," Thermochemica Acta, 497, 137-142 (2010).
- Potts et al., "Low Temperature Plasma-Enhanced Atomic Layer Deposition of metal Oxide Thin Films," Journal of the Electrochemical Society, 157, 66-74 (2010).
- Presser, et al., "Effect of Pore Size on Carbon Dioxide Sorption by Carbide Derived Carbon," Energy & Environmental Science 4.8, 3059-3066 (2011).
- Provine et al., "Correlation of Film Density and Wet Etch Rate in Hydrofluoric Acid of Plasma Enhanced Atomic Layer Deposited Silicon Nitride," AIP Advances, 6 (2016).
- Radamson et al. "Growth of Sn—alloyed Group IV Materials for Photonic and Electronic Applications", Chapter 5 pp. 129-144, Manufacturing NanoStructures.
- Sakuma et al., "Highly Scalable Horizontal Channel 3-D NAND Memory Excellent in Compatibility with Conventional Fabrication Technology," IEEE Electron Device Letters, vol. 34, No. 9, 1142-1144 (2013).

(56)

References Cited

OTHER PUBLICATIONS

Salim, "In-situ Fourier Transform Infrared Spectroscopy of Chemistry and Growth in Chemical Vapor Deposition," Massachusetts Institute of Technology, 187 pages (1995).

Salim et al., "In Situ Concentration Monitoring in a Vertical OMVPE Reactor by Fiber-Optics-Based Fourier Transform Infrared Spectroscopy," *Journal of Crystal Growth* 169, pp. 443-449, Elsevier Science B.V. (1996).

Selvaraj et al., "Selective Atomic Layer Deposition of Zirconia on Copper Patterened Silicon Substrates Using Ethanol as Oxygen Source as Well as Copper Reductant," *J. Vac. Sci. Technol. A* 32(1), (2014).

Schmatz et al., "Unusual Isomerization Reactions in 1,3-Diaz-2-Silyclopentanes," *Organometallics*, 23, 1180-1182 (2004).

Scientific and Technical Information Center EIC 2800 Search Report dated Feb. 16, 2012.

S.D. Athavale and D.J. Economou, "Realization of Atomic Layer Etching of Silicon", *Journal of Vacuum Science and Technology B*, vol. 14, year 1996, pp. 3702-3705.

Shamma et al., "PDL Oxide Enabled Doubling," *Proc. Of SPIE*, 6924, 69240D, 1-10 (2008).

Tseng et al., "Enhanced Block Copolymer Lithography Using Sequential Infiltration Synthesis," *The Journal of Physical Chemistry*, 17725-17729 (2011).

Tseng et al., "Etch Properties of Resists Modified by Sequential Infiltration Synthesis," *Journal of Vacuum Science & Technology*, 29, (2011).

Varma, et al., "Effect of Metal Halides on Thermal, Mechanical, and Electrical Properties of Polypyromellitimide Films," *Journal of Applied Polymer Science*, vol. 32, pp. 3987-4000, (1986).

Wang et al., "Tertiarybutylaluminum as an Organometallic Source for Epitaxial Growth of AlGaSb," *Appl. Phys. Lett.* 67 (10), Sep. 4, pp. 1384-1386, American Institute of Physics (1995).

Wirths, et al., "SiGeSn Growth studies Using Reduced Pressure Chemical Vapor Deposition Towards Optoelectronic Applications," *This Soid Films*, 557, 183-187 (2014).

Xu et al., "14NM Metal Gate Film Stack Development and Challenges," SMIC et al., (2016).

Yoshida, et al., Threshold Voltage Tuning for 10NM and Beyond CMOS Integration, *Solid State Technology*, 57(7): 23-25 (2014).

Yu et al., "Modulation of the Ni FUSI Workfunction by Yb Doping: from Midgap to N-Type Band-Edge," 4 pages, *IEEE 0-7803-9269-8/05* (2005).

Yun et al., "Behavior of Various Organosilicon Molecules in PECVD Processes for Hydrocarbon-Doped Silicon Oxide Films," *Solid State Phenomena*, vol. 124-126, 347-350 (2007).

Yun et al., "Single-Crystalline Si Stacked Array (STAR) NAND Flash Memory," *IEEE Transactions on Electron Devices*, vol. 58, No. 4, 1006-1014 (2011).

Yun et al., "Effect of Plasma on Characteristics of Zirconium Oxide Films Deposited by Plasma-Enhanced Atomic Layer Deposition," *Electrochemical and Solid State Letters*, 8(11) F47-F50 (2005).

Yushin et al., "Carbon-Derived Carbon," Department of Materials Science and Engineering, Taylor & Francis Group, LLC (2006).

Chemistry Stack Exchange, "Why is CF4 Non-Polar and CHF Polar," <https://chemistry.stackexchange.com/questions/31604/why-is-cf4-non-polar-and-chf3-polar>, (2015).

USPTO; Non-Final Office Action dated Sep. 20, 2018 in U.S. Appl. No. 13/651,144.

USPTO; Notice of Allowance dated Aug. 13, 2018 in U.S. Appl. No. 13/941,226.

USPTO; Notice of Allowance dated Oct. 3, 2018 in U.S. Appl. No. 13/941,226.

USPTO; Notice of Allowance dated Aug. 29, 2018 in U.S. Appl. No. 14/090,750.

USPTO; Notice of Allowance dated Sep. 24, 2018 in U.S. Appl. No. 14/218,690.

USPTO; Final Office Action dated Sep. 5, 2018 in Appl. No. 14/752,712.

USPTO; Advisory Action dated Aug. 10, 2018 in U.S. Appl. No. 14/829,565.

USPTO; Non-Final Office Action dated Sep. 6, 2018 in U.S. Appl. No. 14/829,565.

USPTO; Notice of Allowance dated Oct. 4, 2018 in U.S. Appl. No. 14/919,536.

USPTO; Non-Final Office Action dated Aug. 27, 2018 in U.S. Appl. No. 15/067,028.

USPTO; Non-Final Office Action dated Oct. 1, 2018 in U.S. Appl. No. 15/222,780.

USPTO; Non-Final Office Action dated Sep. 13, 2018 in U.S. Appl. No. 15/262,990.

USPTO; Non-Final Office Action dated Sep. 20, 2018 in U.S. Appl. No. 15/410,503.

USPTO; Final Office Action dated Aug. 29, 2018 in U.S. Appl. No. 15/434,051.

USPTO; Non-Final Office Action dated Sep. 10, 2018 in U.S. Appl. No. 15/489,453.

USPTO; Notice of Allowance dated Jul. 18, 2018 in U.S. Appl. No. 15/640,239.

USPTO; Notice of Allowance dated Aug. 30, 2018 in U.S. Appl. No. 15/640,239.

USPTO; Non-Final Office Action dated Aug. 27, 2018 in U.S. Appl. No. 15/662,107.

USPTO; Requirement for Restriction dated Sep. 11, 2018 in U.S. Appl. No. 15/672,063.

USPTO; Requirement for Restriction dated Aug. 14, 2018 in U.S. Appl. No. 15/705,955.

USPTO; Non-Final Office Action dated Oct. 4, 2018 in U.S. Appl. No. 15/726,222.

USPTO; Restriction Requirement dated Aug. 31, 2018 in U.S. Appl. No. 15/795,056.

USPTO; Non-Final Office Action dated Sep. 10, 2018 in U.S. Appl. No. 15/836,547.

European Patent Office; Office Action dated Aug. 10, 2018 in Application No. 09767208.3.

Korean Patent Office; Office Action dated Apr. 2, 2018 in Application No. 10-2011-0036449.

Korean Patent Office; Office Action dated Sep. 18, 2018 in Application No. 10-2012-0064526.

Korean Patent Office; Office Action dated Sep. 27, 2018 in Application No. 10-2012-0076564.

Korean Patent Office; Office Action dated Sep. 28, 2017 in Application No. 10-2017-7023740.

Taiwanese Patent Office; Office Action Sep. 26, 2018 in Application No. 103132230.

Taiwanese Patent Office; Office Action dated May 21, 2018 Application No. 103139014.

Taiwanese Patent Office; Office Action dated Jul. 9, 2018 in Application No. 104107876.

Taiwanese Patent Office; Office Action dated Aug. 7, 2018 Application No. 104107888.

Taiwanese Patent Office; Office Action dated Jul. 9, 2018 in Application No. 104110326.

Taiwanese Patent Office; Office Action dated Jul. 11, 2018 in Application No. 104124377.

Taiwanese Patent Office; Office Action dated Jun. 25, 2018 in Application No. 106138800.

Taiwanese Patent Office; Office Action dated Aug. 31, 2018 in Application No. 10720809210.

WIPO; International Search Report and Written Opinion dated Jul. 9, 2018 in Application No. PCT/IB2018/000419.

WIPO; International Search Report and Written Opinion dated Sep. 14, 2018 in Application No. PCT/IB2017/001640.

Crystal IS "Application Note: Using UV Reflective Materials to Maximize Disinfection"; AN011; Jun. 16, 2016.

Kukli et al., "Properties of hafnium oxide films grown by atomic layer deposition from hafnium tetraiodide and oxygen". *Journal of Applied Physics*, vol. 92, No. 10, Nov. 15, 2002, pp. 5698-5703.

Liang et al. "Conversion of Metal Carbides to Carbide Derived Carbon by Reactive Ion Etching in Halogen Gas" *Micro (MEMS) and Nanotechnologies for Space Applications*, Thomas George et al. vol. 6223, 2006 p. 62230J-I to 62230J-11 lines 3-14 in the "Abstract"

(56)

References Cited

OTHER PUBLICATIONS

section and lines 7-9 in the "Introduction" section of p. 1, lines 3-4 in the "Introduction" section and lines 3-4 in the "Experimental Procedure" section of p. 2.

CNIPA; Office Action dated Dec. 14, 2018 in Application No. 201410331047.6.

CNIPA; Office Action dated Oct. 19, 2018 in Application No. 201510765170.3.

CNIPA; Office Action dated Jun. 28, 2019 in Application No. 201510765406.3.

CNIPA; Office Action dated Mar. 14, 2019 in Application No. 201610141027.1.

CNIPA; Office Action dated Dec. 20, 2018 in Application No. 201710738549.4.

CNIPA; Office Action dated Jun. 20, 2019 in Application No. 201711120632.1.

CNIPA; Notice of Allowance dated Nov. 1, 2018 in Application No. 201830397219.9.

EPO; Office action dated Jan. 11, 2019 in application No. 09836647.9.

JPO; Office Action dated Jun. 30, 2009 in Application No. 2004558313.

JPO; Office Action dated Jun. 27, 2019 in Application No. 2015034774.

JPO; Notice of Allowance dated Apr. 5, 2019 in Application No. 2015052198.

KIPO; Office Action dated Jan. 12, 2019 in Application No. 10-2012-0064526.

KIPO; Office Action dated Mar. 27, 2019 in Application No. 10-2012-0076564.

KIPO; Office Action dated May 30, 2019 in Application No. 10-2012-7004062.

KIPO; Decision of Intellectual Property Trial and Appeal Board dated May 13, 2019 in Application No. 10-2012-7004062.

KIPO; Office Action dated Apr. 19, 2019 in Application No. 10-2013-0101944.

KIPO; Office Action dated Apr. 24, 2019 in Application No. 10-2013-0036823.

KIPO; Office Action dated May 31, 2019 in Application No. 10-2013-0050740.

KIPO; Office Action dated Mar. 27, 2019 in Application No. 10-2013-0084459.

KIPO; Office Action dated Apr. 30, 2019 in Application No. 10-2013-0088450.

KIPO; Office Action dated May 21, 2019 in Application No. 10-2013-0121554.

KIPO; Office Action dated Jan. 22, 2019 in Application No. 10-2014-7017110.

KIPO; Notice of Allowance dated Apr. 1, 2019 in Application No. 30-2018-0033442.

TIPO; Office Action dated Feb. 22, 2019 in Application No. 104105533.

TIPO; Notice of Allowance dated May 9, 2019 in Application No. 104107876.

TIPO; Notice of Allowance dated Apr. 26, 2019 in Application No. 104107888.

TIPO; Notice of Allowance dated May 8, 2019 in Application No. 104110326.

TIPO; Office Action dated Apr. 29, 2019 in Application No. 104122889.

TIPO; Notice of Allowance dated Apr. 12, 2019 in Application No. 104132991.

TIPO; Office Action dated Apr. 25, 2019 in Application No. 104141679.

TIPO; Notice of Allowance dated May 7, 2019 in Application No. 105104453.

TIPO; Office Action dated Dec. 26, 2018 in Application No. 106127690.

TIPO; Notice of Allowance dated Feb. 21, 2019 in Application No. 107303723.

USPTO; Notice of Allowance dated Apr. 4, 2019 in U.S. Appl. No. 12/618,355.

USPTO; Advisory Action dated Feb. 4, 2019 in U.S. Appl. No. 13/169,951.

USPTO; Final Office Action dated Dec. 28, 2018 in U.S. Appl. No. 13/184,351.

USPTO; Final Office Action dated Mar. 15, 2019 in U.S. Appl. No. 13/651,144.

USPTO; Final Office Action dated Jan. 25, 2019 in U.S. Appl. No. 14/188,760.

USPTO; Advisory Action dated Jan. 22, 2019 in U.S. Appl. No. 14/219,839.

USPTO; Advisory Action dated Jan. 22, 2019 in U.S. Appl. No. 14/219,879.

USPTO; Final Office Action dated Feb. 7, 2019 in U.S. Appl. No. 14/444,744.

USPTO; Non-Final Office Action dated Jan. 11, 2019 in U.S. Appl. No. 14/457,058.

USPTO; Final Office Action dated Jun. 25, 2019 in U.S. Appl. No. 14/457,058.

USPTO; Non-Final Office Action dated Apr. 4, 2019 in U.S. Appl. No. 14/508,489.

USPTO; Non-Final Office Action dated Dec. 28, 2018 in U.S. Appl. No. 14/752,712.

USPTO; Notice of Allowance dated Jun. 11, 2019 in U.S. Appl. No. 14/752,712.

USPTO; Final Office Action dated Feb. 25, 2019 in U.S. Appl. No. 14/793,323.

USPTO; Non-Final Office Action dated Jun. 27, 2019 in U.S. Appl. No. 14/793,323.

USPTO; Final Office Action dated Apr. 18, 2019 in U.S. Appl. No. 14/829,565.

USPTO; Advisory Action dated Jul. 22, 2019 in U.S. Appl. No. 14/829,565.

USPTO; Notice of Allowance dated Mar. 25, 2019 in U.S. Appl. No. 14/997,683.

USPTO; Non-Final Office Action dated Jun. 3, 2019 in U.S. Appl. No. 15/060,412.

USPTO; Notice of Allowance dated Dec. 21, 2018 in U.S. Appl. No. 15/067,028.

USPTO; Notice of Allowance dated Feb. 25, 2019 in U.S. Appl. No. 15/074,813.

USPTO; Final Office Action dated Mar. 14, 2019 in U.S. Appl. No. 15/135,258.

USPTO; Non-Final Office Action dated Jul. 19, 2019 in U.S. Appl. No. 15/135,258.

USPTO; Notice of Allowance dated Mar. 13, 2019 in U.S. Appl. No. 15/144,506.

USPTO; Final Office Action dated Mar. 28, 2019 in U.S. Appl. No. 15/182,504.

USPTO; Notice of Allowance dated Jul. 17, 2019 in U.S. Appl. No. 15/182,504.

USPTO; Non-Final Office Action dated Mar. 28, 2019 in U.S. Appl. No. 15/205,827.

USPTO; Notice of Allowance dated Apr. 19, 2019 in U.S. Appl. No. 15/222,780.

USPTO; Non-Final Office Action dated Jan. 30, 2019 in U.S. Appl. No. 15/262,990.

USPTO; Final Office Action dated May 13, 2019 in U.S. Appl. No. 15/262,990.

USPTO; Advisory Action dated Jul. 22, 2019 in U.S. Appl. No. 15/262,990.

USPTO; Final Office Action dated Jan. 11, 2019 in U.S. Appl. No. 15/273,488.

USPTO; Notice of Allowance dated Apr. 19, 2019 in U.S. Appl. No. 15/273,488.

USPTO; Final Office Action dated Feb. 7, 2019 in U.S. Appl. No. 15/286,503.

USPTO; Non-Final Office Action dated Jun. 27, 2019 in U.S. Appl. No. 15/286,503.

USPTO; Non-Final Office Action dated Dec. 14, 2018 in U.S. Appl. No. 15/340,512.

USPTO; Notice of Allowance dated May 24, 2019 in U.S. Appl. No. 15/340,512.

(56)

References Cited

OTHER PUBLICATIONS

- USPTO; Final Office Action dated Jun. 25, 2019 in U.S. Appl. No. 15/377,439.
- USPTO; Non-Final Office Action dated May 31, 2019 in U.S. Appl. No. 15/380,909.
- USPTO; Non-Final Office Action dated Feb. 25, 2019 in U.S. Appl. No. 15/380,921.
- USPTO; Non-Final Office Action dated Feb. 5, 2019 in U.S. Appl. No. 15/402,993.
- USPTO; Final Office Action dated May 21, 2019 in U.S. Appl. No. 15/402,993.
- USPTO; Final Office Action dated Feb. 4, 2019 in U.S. Appl. No. 15/410,503.
- USPTO; Non-Final Office Action dated Apr. 25, 2019 in U.S. Appl. No. 15/410,503.
- USPTO; Final Office Action dated Jan. 11, 2019 in U.S. Appl. No. 15/428,808.
- USPTO; Notice of Allowance dated Apr. 25, 2019 in U.S. Appl. No. 15/428,808.
- USPTO; Non-Final Office Action dated Jan. 25, 2019 in U.S. Appl. No. 15/434,051.
- USPTO; Notice of Allowance dated Jun. 3, 2019 in U.S. Appl. No. 15/434,051.
- USPTO; Final Office Action dated Feb. 27, 2019 in U.S. Appl. No. 15/489,453.
- USPTO; Non-Final Office Action dated Jun. 5, 2019 in U.S. Appl. No. 15/489,453.
- USPTO; Final Office Action dated May 1, 2019 in U.S. Appl. No. 15/491,726.
- USPTO; Final Office Action dated Mar. 6, 2019 in U.S. Appl. No. 15/589,849.
- USPTO; Non-Final Office Action dated Jun. 28, 2019 in U.S. Appl. No. 15/589,849.
- USPTO; Non-Final Office Action dated Dec. 21, 2018 in U.S. Appl. No. 15/589,861.
- USPTO; Final Office Action dated Jun. 26, 2019 in U.S. Appl. No. 15/589,861.
- USPTO; Advisory Action dated Mar. 15, 2019 in U.S. Appl. No. 15/592,730.
- USPTO; Non-Final Office Action dated Mar. 7, 2019 in U.S. Appl. No. 15/598,169.
- USPTO; Final Office Action dated Jun. 25, 2019 in U.S. Appl. No. 15/598,169.
- USPTO; Ex Parte Quayle Action dated Mar. 21, 2019 in U.S. Appl. No. 15/615,489.
- USPTO; Non-Final Office Action dated Feb. 1, 2019 in U.S. Appl. No. 15/627,189.
- USPTO; Notice of Allowance dated May 21, 2019 in U.S. Appl. No. 15/627,189.
- USPTO; Final Office Action dated Mar. 6, 2019 in U.S. Appl. No. 15/636,307.
- USPTO; Non-Final Office Action dated Jul. 16, 2019 in U.S. Appl. No. 15/636,307.
- USPTO; Notice of Allowance dated Jun. 24, 2019 in U.S. Appl. No. 15/650,686.
- USPTO; Notice of Allowance dated Feb. 21, 2019 in U.S. Appl. No. 15/659,631.
- USPTO; Non-Final Office Action dated Mar. 1, 2019 in U.S. Appl. No. 15/660,805.
- USPTO; Notice of Allowance dated Feb. 21, 2019 in U.S. Appl. No. 15/662,107.
- USPTO; Notice of Allowance dated Mar. 20, 2019 in U.S. Appl. No. 15/672,063.
- USPTO; Non-Final Office Action dated Feb. 8, 2019 in U.S. Appl. No. 15/672,119.
- USPTO; Final Office Action dated Jul. 16, 2019 in U.S. Appl. No. 15/672,119.
- USPTO; Notice of Allowance dated Jan. 9, 2019 in U.S. Appl. No. 15/673,110.
- USPTO; Notice of Allowance dated May 6, 2019 in U.S. Appl. No. 15/673,278.
- USPTO; Notice of Allowance dated Jan. 9, 2019 in U.S. Appl. No. 15/683,701.
- USPTO; Non-Final Office Action dated Mar. 19, 2019 in U.S. Appl. No. 15/691,241.
- USPTO; Final Office Action dated Jan. 11, 2019 in U.S. Appl. No. 15/691,241.
- USPTO; Notice of Allowance dated Apr. 16, 2019 in U.S. Appl. No. 15/705,955.
- USPTO; Non-Final Office Action dated Feb. 11, 2019 in U.S. Appl. No. 15/707,786.
- USPTO; Non-Final Office Action dated Jun. 25, 2019 in U.S. Appl. No. 15/719,208.
- USPTO; Notice of Allowance dated Apr. 19, 2019 in U.S. Appl. No. 15/726,222.
- USPTO; Notice of Allowance dated Jan. 23, 2019 in U.S. Appl. No. 15/729,485.
- USPTO; Final Office Action dated Apr. 19, 2019 in U.S. Appl. No. 15/795,056.
- USPTO; Final Office Action dated Jun. 14, 2019 in U.S. Appl. No. 15/796,593.
- USPTO; Final Office Action dated Feb. 21, 2019 in U.S. Appl. No. 15/796,593.
- USPTO; Non-Final Office Action dated Dec. 21, 2018 in U.S. Appl. No. 15/798,150.
- USPTO; Notice of Allowance dated May 14, 2019 in U.S. Appl. No. 15/798,150.
- USPTO; Final Office Action dated Dec. 14, 2018 in U.S. Appl. No. 15/798,201.
- USPTO; Final Office Action dated Mar. 7, 2019 in U.S. Appl. No. 15/815,483.
- USPTO; Notice of Allowance dated Dec. 5, 2017 in U.S. Appl. No. 15/832,188.
- USPTO; Non-Final Office Action dated Mar. 13, 2019 in U.S. Appl. No. 15/836,547.
- USPTO; Non-Final Office Action dated Jan. 11, 2019 in U.S. Appl. No. 15/879,209.
- USPTO; Non-Final Office Action dated Jan. 22, 2019 in U.S. Appl. No. 15/879,209.
- USPTO; Non-Final Office Action dated Apr. 17, 2019 in U.S. Appl. No. 15/886,225.
- USPTO; Final Office Action dated May 2, 2019 in U.S. Appl. No. 15/890,037.
- USPTO; Notice of Allowance dated Feb. 8, 2019 in U.S. Appl. No. 15/892,756.
- USPTO; Non-Final Office Action dated Apr. 24, 2019 in U.S. Appl. No. 15/896,986.
- USPTO; Non-Final Office Action dated May 30, 2019 in U.S. Appl. No. 15/900,425.
- USPTO; Non-Final Office Action dated Mar. 8, 2019 in U.S. Appl. No. 15/917,224.
- USPTO; Non-Final Office Action dated Feb. 8, 2019 in U.S. Appl. No. 15/917,262.
- USPTO; Final Office Action dated Jun. 14, 2019 in U.S. Appl. No. 15/917,262.
- USPTO; Non-Final Office Action dated May 8, 2019 in U.S. Appl. No. 15/925,532.
- USPTO; Non-Final Office Action dated Mar. 29, 2019 in U.S. Appl. No. 15/940,801.
- USPTO; Notice of Allowance dated May 31, 2019 in U.S. Appl. No. 15/957,565.
- USPTO; Non-Final Office Action dated Apr. 19, 2019 in U.S. Appl. No. 15/985,298.
- USPTO; Non-Final Office Action dated Feb. 21, 2019 in U.S. Appl. No. 15/987,755.
- USPTO; Non-Final Office Action dated Jul. 16, 2019 in U.S. Appl. No. 16/014,981.
- USPTO; Non-Final Office Action dated Jan. 24, 2019 in U.S. Appl. No. 16/018,692.
- USPTO; Notice of Allowance dated Apr. 9, 2019 in U.S. Appl. No. 16/026,711.

(56)

References Cited

OTHER PUBLICATIONS

- USPTO; Non-Final Office Action dated Apr. 25, 2019 in U.S. Appl. No. 16/038,024.
- USPTO; Non-Final Office Action dated Apr. 2, 2019 in U.S. Appl. No. 16/147,047.
- USPTO; Notice of Allowance dated Apr. 17, 2019 in U.S. Appl. No. 16/171,098.
- USPTO; Notice of Allowance dated May 1, 2019 in U.S. Appl. No. 16/171,098.
- USPTO; Non-Final Office Action dated Apr. 2, 2019 in U.S. Appl. No. 16/188,690.
- USPTO; Notice of Allowance dated Jun. 13, 2019 in U.S. Appl. No. 16/396,475.
- USPTO; Non-Final Office Action dated Apr. 16, 2019 in U.S. Appl. No. 29/604,101.
- USPTO; Non-Final Office Action dated Feb. 20, 2019 in U.S. Appl. No. 29/646,377.
- WIPO; International Search Report and Written Opinion dated Jan. 25, 2019 in Application No. PCT/IB2018/000192.
- WIPO; International Search Report and Written Opinion dated Jan. 4, 2019 in Application No. PCT/IB2018/000936.
- WIPO; International Search Report and Written Opinion dated Dec. 20, 2018 in Application No. PCT/IB2018/001003.
- WIPO; International Search Report and Written Opinion dated Dec. 20, 2018 in Application No. PCT/IB2018/001022.
- WIPO; International Search Report and Written Opinion dated May 23, 2019 in Application No. PCT/IB2019/050974.
- Alen, "Atomic layer deposition of TaN, NbN and MoN films for Cu Metallizations," University of Helsinki Finland, 72 pages, (2005).
- Arita et al. "Electrical and optical properties of germanium-doped zinc oxide thin films" *Materials Transactions*, vol. 45, No. 11, pp. 3180-3183 (2004).
- Arnold et al., "Novel single-layer vanadium sulphide phases" *2D Materials*, 5, 045009, 11 pages (2018).
- Boscher et al., "Atmosphere Pressure Chemical Vapour Deposition of NbSe₂ Thin Films on Glass" *Eur. J. Inorg. Chem.*, pp. 1255-1259 (2006).
- Carmalt et al., "Chemical Vapor Deposition of Niobium Disulfide Thin Films" *Eur. J. Inorg. Chem.*, pp. 4470-4476 (2004).
- Casey et al. "Chemical Vapor Deposition of Mo onto Si" *J. Electrochem. Soc.: Solid State Science*, 114 (2), pp. 201-204 (1967).
- Chen et al., "Develop Gap-fill Process of Shallow Trench Isolation in 450nm Wafer by Advanced Flowable CVD Technology for Sub-20nm Node," 2016 27th Annual Semi Advanced Semiconductor Manufacturing Conference (ASMC), IEEE, May 16, 2016, pp. 157-159 (2016).
- Cheng et al., "Effect of carrier gas on the structure and electric properties of low dielectric constant SiCOH film using trimethylsilane prepared by plasma enhanced chemical vapor deposition," *Thin Solid Films* vol. 469-470, pp. 178-183 (2004).
- Closser et al., "Molecular Layer Deposition Of a Highly Stable Silicon Oxycathide Thin Film Using An Organic Chlorosilane And Water," *ACS Applied Materials & Interfaces* 10, pp. 24266-24274 (2018).
- Conroy et al., "The Preparation and Properties of Single Crystals of the 1S and 2S Polymorphs of Tantalum Disulfide" *J. Solid State Chemistry*, 4, pp. 345-350 (1972).
- De Silva et al., "Inorganic Hardmask Development for Extreme Ultraviolet Patterning," *Journal of Micro/Nanolithography, MEMS, and MOEMS* 18(1) (2018).
- Duffey et al., "Raman Scattering from 1T-TaS₂" *Solid State Communications* 20, pp. 617-621.
- Elers et al. "Film Uniformity in Atomic Layer Deposition," *Chemical Vapor Deposition*, 12, pp. 13-24 (2006).
- Fu et al., "Controlled Synthesis of Atomically Thin 1T-TaS₂ for Tunable Charge Density Wave Phase Transitions" *Chem. Mater.* 28, pp. 7613-7618 (2016).
- Gesheva et al. "Composition and Microstructure of Black Molybdenum Photothermal Converter Layers Deposited by the Pyrolytic Hydrogen Reduction of MoO₂Cl₂" *Thin Solid Films*, 79, pp. 39-49 (1981).
- Gole et al. "Preparation of Nickel Sulfide Thin Films and Nanocrystallites Using Nickel Furfuraldehyde Thiosemicarbazone as Single-source Precursor," *Advanced Materials Research*, vols. 383-390, pp. 3828-3834 (2012).
- Habib et al. "Atmospheric oxygen plasma activation of silicon (100) surfaces," *American Vacuum Society*, 28(3), pp. 476-485 (2010).
- Han et al., "van der Waals Metallic Transition Metal Dichalcogenides" *Chem. Rev.* 118, pp. 6297-6336 (2018).
- Heyne et al., "The conversion mechanism of amorphous silicon to stoichiometric W52" *J. Materials Chemistry C*, 6, pp. 4122-4130 (2018).
- Hossain et al., "Recent Advances in Two-Dimensional Materials with Charge Density Waves: Synthesis, Characterization and Applications" *Crystals* 7, 298, 19 pp. (2017).
- Johansson et al. "Towards absolute asymmetric synthesis. Synthesis and crystal structure of stereochemically labile MC₁₂ (M=Co, Ni, Cu, Zn) complexes with diamine ligands," *Inorganica Chimica Acta* 358, pp. 3293-3302 (2005).
- Jung et al. "New Mechanisms for Ozone-Based ALO Growth of High-k Dielectrics via Nitrogen-Oxygen Species" *ECS Transactions*, 33(2), pp. 91-99 (2010).
- Kern et al., "Chemically Vapor-Deposited Borophosphosilicate Glasses for Silicon Device Applications" *RCE Review*, 43, 3, pp. 423-457 (1982).
- Kim et al., "Novel Flowable CVD Process Technology for sub-20nm Interlayer Dielectrics," *IEEE International Interconnect Technology Conference (IITC 2012)*, San Jose, California, USA, Jun. 4-6, 2012, pp. 1-3 (2012).
- Kogelschatz et al. "Ozone Generation from Oxygen and Air: Discharge Physics and Reaction Mechanisms" *Ozone Science & Engineering*, 10, pp. 367-378 (1998).
- Kukli et al., "Influence of atomic layer deposition parameters on the phase content of Ta₂O₅ films" *J. Crystal Growth*, 212, pp. 459-468 (2000).
- Kukli et al. "Properties of tantalum oxide thin films grown by atomic layer deposition" *Thin Solid Films*, 260, pp. 135-142 (1995).
- Kwon et al., "Substrate Selectivity of (tBu-Allyl)Co(CO)₃ during Thermal Atomic Layer Deposition of Cobalt," *Chem. Materials*, 24, pp. 1025-1030 (2012).
- Lee et al., "Characteristics of Low- K Sioc Films Deposited Via Atomic Layer Deposition," *Thin Solid Films* 645, pp. 334-339 (2018).
- Levy et al., "Reflow Mechanisms of Contact Vias in VLSI Processing" *J. Electrochem. Soc.: Solid-State Science and Technology*, 133, 7, pp. 1417-1424 (1986).
- Li et al., "Metallic Transition-Metal Dichalcogenide Nanocatalysts for Energy Conversion" *Chem.* 4, pp. 1510-1537 (2018).
- Liu et al., "Van der Waals metal-semiconductor junction: Weak Fermi level pinning enables effective tuning of Schottky barrier" *Sci. Adv.* 2: e1600069, 7 pages (2016).
- Makela et al. "Thermal Atomic Layer Deposition of Continuous and Highly Conducting Gold Thin Films," *Chem. Materials*, 29, pp. 6130-6136 (2017).
- Mattinen et al., "Crystalline tungsten sulfide thin films by atomic layer deposition and mild annealing" *J. Vac. Sci. Tech.* 37, 020921, 35 pages (2019).
- Nakano et al., "Layer-by-Layer Epitaxial Growth of Scalable WSe₂ on Sapphire by Molecular Beam Epitaxy" *Nano. Lett.* 17, pp. 5595-5599 (2017).
- Ngo et al. "Atomic layer deposition of photoactive CoO/SrTiO₃ and CoO/TiO₂ on Si(001) for visible light driven photoelectrochemical water oxidation," *J. Applied Physics*, 114, 9 pages (2013).
- Ohchi et al. "Reducing damage to Si substrates during gate etching processes." *Japanese Journal of Applied Physics* 47.7R 5324 (2008).
- Peters et al., "Aerosol-Assisted Chemical Vapor Deposition of NbS₂ and TaS₂ Thin Films from Pentakis(dimethylamido)metal Complexes and 2-Methylpropanethiol" *Eur. J. Inorg. Chem.*, pp. 4179-4185 (2005).

(56)

References Cited

OTHER PUBLICATIONS

- Samal et al., "Low-Temperature (<200° C.) Plasma Enhanced Atomic Deposition of Dense Titanium Nitride Thin Films" (2012).
- Sanders et al., "Crystalline and electronic structure of single-layer TaS₂" *Phys. Rev. B.* 94, 081404, 6 pages (2016).
- Schindler, Dissertation, Next Generation High-k Dielectrics for DRAM Produced by Atomic Layer Deposition Studied by Transmission Electron Microscopy (2015).
- Seshadri et al., "Ultrathin Extreme Ultraviolet Patterning Stack Using Polymer Brush As An Adhesion Promotion Layer," *Journal of Micro/Nanolithography, MEMS, and MOEMS* 16(3) (2017)
- Simchi et al., "Sulfidation of 2D transition metals (Mo, W, Re, Nb, Ta): thermodynamics, processing, and characterization" *J. Materials Science* 52: 17, 9 pages (2017)
- Stanley et al. "Feedgas for Modern High-Performance Ozone Generators" Ozonia Ltd., Duebendorf, Switzerland. 7 pages. Available Jul. 14, 2017 online at: http://www.degremont-technologies.com/cms_medias/pdf/tech_ozonia_feedgas.pdf (1999).
- Svetin et al., "Three-dimensional resistivity and switching between correlated electronic states in 1T-TaS₂" *Nature, Scientific Reports* Apr. 12, 2017, 7:46048, 10 pages (2017).
- Tatehaba et al., "Adhesion Energy of Polystyrene and Substrate in Function Water," 5th International Symposium of Cleaning Technology in Semiconductor Device Manufacturing, pp. 560-565 (1998).
- Todi et al., "Characterization of Pt—Ru Binary Alloy Thin Films for Work Function Tuning," *IEEE Electron Device Letters*, vol. 27, No. 7, pp. 542-545 (2006).
- Ueda et al. "Enhanced Sidewall Grown (ESG) process: towards Peald with conformality above 100%," *Extended Abstracts of the 2011 International Conference on Solid State Devices and Materials*, Nagoya, pp. 34-35 (2011).
- Xing et al., "Ising Superconductivity and Quantum Phase Transition in Macro-Size Monolayer NbSe₂" *Nano. Lett.* 17, pp. 6802-6807 (2017).
- Xu et al., "Contacts between Two- and Three- Dimensional Materials: Ohmic, Schottky, and p-n Heterojunctions" *ACS Nano* 10, pp. 4895-4919 (2016).
- Yuan et al., "Facile Synthesis of Single Crystal Vanadium Disulfide Nanosheets by Chemical Vapor Deposition for Efficient Hydrogen Evolution Reaction" *Adv. Mater.* 27, pp. 5605-5609 (2015).
- Zhou et al., "A library of atomically thin metal chalcogenides" *Nature* 556, pp. 355-361 (2018).
- CNIPA; Notice of Allowance dated Sep. 3, 2019 in Application No. 201610141027.1.
- CNIPA; Notice of Allowance dated Sep. 30, 2010 in Application No. 201510765170.3.
- CNIPA; Office Action dated Jul. 23, 2019 in Application No. 201610897958.4.
- EPO; Notice of Allowance dated Aug. 1, 2019 in Application No. 09767208.3.
- KIPO; Notice of Allowance dated Jul. 5, 2019 in Application No. 10-2012-0064526.
- KIPO; Notice of Allowance dated Aug. 29, 2019 in Application No. 10-2013-0036823.
- KIPO; Office Action dated Aug. 27, 2019 in Application No. 10-2013-0049598.
- KIPO; Office Action dated Aug. 27, 2019 in Application No. 10-2013-0089998.
- KIPO; Notice of Allowance dated Oct. 8, 2019 in Application No. 10-2013-0101944.
- KIPO; Office Action dated Aug. 15, 2019 in Application No. 10-2013-0109390.
- KIPO; Office Action dated Oct. 7, 2019 in Application No. 10-2013-0114079.
- KIPO; Notice of Allowance dated Aug. 26, 2019 in Application No. 10-2014-7017110.
- KIPO; Final Office Action dated Jun. 17, 2019 in Application No. 10-2017-7023740.
- TIPO; Office Action dated Aug. 16, 2019 in Application No. 102136496.
- TIPO; Notice of Allowance dated Jul. 10, 2019 in Application No. 103123439.
- TIPO; Notice of Allowance dated Sep. 27, 2019 in Application No. 104105533.
- TIPO; Notice of Allowance dated Sep. 23, 2019 in Application No. 104105965.
- TIPO; Notice of Allowance dated Oct. 4, 2019 in Application No. 104122889.
- TIPO; Notice of Allowance dated Jul. 19, 2019 in Application No. 104122890.
- TIPO; Office Action dated Jul. 5, 2019 in Application No. 105112363.
- TIPO; Office Action dated Sep. 9, 2019 in Application No. 105115513.
- TIPO; Notice of Allowance dated Sep. 20, 2019 in Application No. 106138800.
- USPTO; Non-Final Office Action dated Aug. 19, 2019 in U.S. Appl. No. 13/184,351.
- USPTO; Advisory Action dated Feb. 12, 2016 in U.S. Appl. No. 13/651,144.
- USPTO; Advisory Action dated Dec. 29, 2016 in U.S. Appl. No. 13/651,144.
- USPTO; Non-Final Office Action dated Sep. 18, 2019 in U.S. Appl. No. 13/651,144.
- USPTO; Advisory Action dated Jun. 26, 2015 in U.S. Appl. No. 13/791,246.
- USPTO; Notice of Allowance dated Apr. 22, 2016 in U.S. Appl. No. 14/172,220.
- USPTO; Non-Final Office Action dated Aug. 8, 2019 in U.S. Appl. No. 14/188,760.
- USPTO; Notice of Allowance dated Aug. 19, 2016 in U.S. Appl. No. 14/268,348.
- USPTO; Non-Final Office Action dated Aug. 8, 2019 in U.S. Appl. No. 14/444,744.
- USPTO; Notice of Allowance dated Aug. 16, 2017 in U.S. Appl. No. 14/606,364.
- USPTO; Notice of Allowance dated Aug. 15, 2019 in U.S. Appl. No. 14/645,234.
- USPTO; Non-Final Office Action dated Sep. 19, 2019 in U.S. Appl. No. 14/829,565.
- USPTO; Final Office Action dated Jun. 10, 2016 in U.S. Appl. No. 14/987,420.
- USPTO; Notice of Allowance dated Mar. 26, 2018 in U.S. Appl. No. 15/144,481.
- USPTO; Final Office Action dated Aug. 9, 2019 in U.S. Appl. No. 15/205,827.
- USPTO; Non-Final Office Action dated Aug. 5, 2019 in U.S. Appl. No. 15/262,990.
- USPTO; Advisory Action dated Jul. 29, 2019 in U.S. Appl. No. 15/402,993.
- USPTO; Notice of Allowance dated Aug. 14, 2019 in U.S. Appl. No. 15/410,503.
- USPTO; Final Office Action dated Aug. 20, 2019 in U.S. Appl. No. 14/508,489.
- USPTO; Notice of Allowance dated Aug. 21, 2019 in U.S. Appl. No. 15/592,730.
- USPTO; Notice of Allowance dated Sep. 11, 2019 in U.S. Appl. No. 15/598,169.
- USPTO; Non-Final Office Action dated Sep. 4, 2019 in U.S. Appl. No. 15/615,489.
- USPTO; Non-Final Office Action dated Jul. 29, 2019 in U.S. Appl. No. 15/660,797.
- USPTO; Notice of Allowance dated Aug. 22, 2019 in U.S. Appl. No. 15/660,805.
- USPTO; Final Office Action dated Jul. 26, 2019 in U.S. Appl. No. 15/690,017.
- USPTO; Final Office Action dated Aug. 12, 2019 in U.S. Appl. No. 15/707,786.
- USPTO; Non-Final Office Action dated Jul. 8, 2019 in U.S. Appl. No. 15/726,959.
- USPTO; Final Office Action dated Jul. 31, 2019 in U.S. Appl. No. 15/795,056.
- UPSTO; Non-Final Office Action dated Oct. 2, 2019 in U.S. Appl. No. 15/798,201.

(56)

References Cited

OTHER PUBLICATIONS

- USPTO; Non-Final Office Action dated Aug. 20, 2019 in U.S. Appl. No. 15/815,483.
- USPTO; Notice of Allowance dated Aug. 16, 2019 in U.S. Appl. No. 15/836,547.
- USPTO; Non-Final Office Action dated Jul. 31, 2019 in U.S. Appl. No. 15/860,564.
- USPTO; Final Office Action dated Aug. 21, 2019 in U.S. Appl. No. 15/879,209.
- USPTO; Notice of Allowance dated Sep. 23, 2019 in U.S. Appl. No. 15/886,225.
- USPTO; Non-Final Office Action dated Sep. 19, 2019 in U.S. Appl. No. 15/897,578.
- USPTO; Final Office Action dated Aug. 28, 2019 in U.S. Appl. No. 15/917,224.
- USPTO; Notice of Allowance dated Aug. 30, 2019 in U.S. Appl. No. 15/917,262.
- USPTO; Non-Final Office Action dated Jul. 22, 2019 in U.S. Appl. No. 15/940,759.
- USPTO; Notice of Allowance dated Aug. 26, 2019 in U.S. Appl. No. 15/940,801.
- USPTO; Notice of Allowance dated Aug. 22, 2019 in U.S. Appl. No. 15/985,298.
- USPTO; Notice of Allowance dated Jul. 31, 2019 in U.S. Appl. No. 15/987,755.
- USPTO; Non-Final Office Action dated Jul. 29, 2019 in U.S. Appl. No. 16/000,125.
- USPTO; Final Office Action dated Aug. 23, 2019 in U.S. Appl. No. 16/018,692.
- USPTO; Non-Final Office Action dated Aug. 7, 2019 in U.S. Appl. No. 16/024,390.
- USPTO; Notice of Allowance dated Jul. 10, 2019 in U.S. Appl. No. 16/046,218.
- USPTO; Final Office Action dated Sep. 25, 2019 in U.S. Appl. No. 16/147,047.
- USPTO; Non-Final Office Action dated Aug. 6, 2019 in U.S. Appl. No. 16/158,077.
- USPTO; Final Office Action dated Sep. 26, 2019 in U.S. Appl. No. 16/188,690.
- USPTO; Non-Final Office Action dated Aug. 29, 2019 in U.S. Appl. No. 16/161,744.
- USPTO; Non-Final Office Action dated Aug. 16, 2019 in U.S. Appl. No. 16/167,225.
- USPTO; Non-Final Office Action dated Aug. 19, 2019 in U.S. Appl. No. 16/208,062.
- USPTO; Non-Final Office Action dated Sep. 16, 2019 in U.S. Appl. No. 16/213,702.
- USPTO; Non-Final Office Action dated Aug. 21, 2019 in U.S. Appl. No. 29/634,768.
- WIPO; International Search Report and Written Opinion dated Jun. 28, 2019 in Application No. PCT/IB2019/000084.
- Bark et al. "Large-area niobium disulfide thin films as transparent electrodes for devices based on two-dimensional materials," *Nanoscale*, published online, 7 pages (2012).
- Barreca et al. "Cobalt oxide nanomaterials by vapor phase synthesis for fast and reversible lithium storage" *J Phys Chem C*, 114, 10054-10060 (2010).
- Basuvalingam et al. "NS-WeA6—Low Temperature ALD for Phase-controlled Synthesis of 2D Transition Metal (M=Ti, Nb) di—(MX₂) and Tri—(MX₃) Sulfides," AVS 19th International Conference on Atomic Layer Deposition (ALD 2019), Jul. 22, 2019, Abstract, 1 page (2019).
- Cahiez et al. "Cobalt-Catalyzed cross coupling reaction between functionalized primary and secondary alkyl halides and aliphatic grignard reagents" *Adv. Synth. Catal.* 350, 1484-1488 (2008).
- "Fiji F200 200mm Thermal/Plasma ALD Systems: Installation and Use Manual." CAW-02635 Rev. 0.6.(Mar. 13, 2012). Cambridge NanoTech Inc. pp. 1-164 (2012).
- Ge et al. "Large-scale synthesis of NbS₂ nanosheets with controlled orientation on graphene by ambient pressure CVD," *Nanoscale*, vol. 5, 5773-5778 (2013).
- Gordon et al. "A Kinetic Model for Step Coverage by Atomic Layer Deposition in Narrow Holes or Trenches." *Chemical Vapor Deposition*. 9 [2]. pp. 73-78 (2003).
- Hansen. "A Primer on Vacuum Pressure Measurement." *Vacuum Technology & Coating*. Jun. 2009. pp. 36-42 (2009).
- Hansen. "Speed, Pressure and Throughput: Part 1 System Diagnostics." *Vacuum Technology & Coating*. Sep. 2011. pp. 14-17 (2011).
- Hansen. "Speed, Pressure and Throughput: Part 2 Managing Gas Flow in High Vacuum Systems." *Vacuum Technology & Coating*. Oct. 2011. pp. 19-22 (2011).
- Hansen. "Speed, Pressure and Throughput: Part 3 Automating the Pressure Control Process." *Vacuum Technology & Coating*. Nov. 2011. pp. 22-25 (2011).
- Hansen. "Speed, Pressure and Throughput: Part 4 Outgassing and Base Pressure." *Vacuum Technology & Coating*. Dec. 2011. pp. 22-25 (2011).
- Hansen. "Speed, Pressure and Throughput: Part 5 Leaks and Gas Flow in Leak Detection." *Vacuum Technology & Coating*. Jan. 2012. pp. 18-21 (2011).
- Khandelwal et al. "Low-temperature Ar/N₂ remote plasma nitridation of SiO₂ thin films," *J. Vacuum Science & Technology A*, 20(6), pp. 1989-1996 (2002).
- Kucheyev et al. "Mechanisms of Atomic Layer Deposition on Substrates with Ultrahigh Aspect Ratios." *Langmuir*. 24 [3]. pp. 943-948 (2008).
- Londergan et al. "Engineered Low Resistivity Titanium-Tantalum Nitride Films by Atomic Layer Deposition," *Mat. Res. Soc. Symp. Proc.*, vol. 714E, pp. L5.3.1-L5.3.6 (2001).
- Naito et al. "Electrical Transport Properties in 2H-NbS₂, -NbSe₂, -TaS₂ and -TaSe₂," *J. of Physical Society of Japan*, vol. 51, No. 1, 219-227 (1982).
- Pichler. "Intrinsic Point Defects, Impurities and Their Diffusion in Silicon," Springer-Verlag Wien, p. 367 (2004).
- Trumbore et al. "Solid solubilities of aluminum and gallium in germanium," *J. of Physics and Chemistry of Solids*, vol. 11, Issues 3-4, 239-240 (1959).
- EPO; Extended European Search Report dated Apr. 28, 2014 in Application No. 11162225.4.
- EPO; Notice of Allowance dated Feb. 3, 2015 in Application No. 11162225.4.
- IPOS; Notice of Allowance dated Aug. 14, 2017 in Application No. 10201401237.
- JPO; Office Action dated Mar. 27, 2012 in Application No. 2009-532567.
- JPO; Notice of Allowance dated Jul. 31, 2012 in Application No. 2009-532567.
- JPO; Office Action dated May 9, 2013 in Application No. 2010058415.
- JPO; Office Action dated Nov. 5, 2013 in Application No. 2010058415.
- JPO; Office Action dated Aug. 29, 2014 in Application No. 2010058415.
- JPO; Office Action dated Aug. 26, 2013 in Application No. 2010-153754.
- JPO; Office Action dated Nov. 5, 2013 in Application No. 2010-193285.
- JPO; Notice of Allowance dated Apr. 2, 2013 in Application No. 2010-509478.
- JPO; Notice of Allowance dated Mar. 9, 2016 in Application No. 2011-284831.
- JPO; Notice of Allowance dated Dec. 21, 2012 in Application No. 2011-514650.
- JPO; Office Action dated Dec. 15, 2014 in Application No. 2011090067.
- JPO; Notice of Allowance dated May 1, 2015 in Application No. 2011090067.
- JPO; Office Action dated Jul. 19, 2016 in Application No. 2012-153698.
- JPO; Notice of Allowance dated Oct. 26, 2016 in Application No. 2012-153698.
- JPO; Notice of Allowance dated Jul. 2, 2013 in Application No. 2012-509857.
- JPO; Office Action dated May 31, 2017 in Application No. 2013-160173.

(56)

References Cited

OTHER PUBLICATIONS

JPO; Notice of Allowance dated Aug. 25, 2017 in Application No. 2013-160173.
JPO; Office Action dated Jun. 15, 2017 in Application No. 2013-178344.
JPO; Office Action dated Jan. 29, 2018 in Application No. 2013-178344.
JPO; Notice of Allowance dated Aug. 21, 2018 in Application No. 2013-178344.
JPO; Office Action dated Apr. 10, 2018 in Application No. 2014-120675.
JPO; Notice of Allowance dated Jun. 12, 2018 in Application No. 2014-120675.
JPO; Office Action dated Apr. 3, 2018 in Application No. 2014-188835.
JPO; Notice of Allowance dated Jun. 12, 2018 in Application No. 2014-188835.
JPO; Office Action dated May 8, 2018 in Application No. 2014-205548.
JPO; Notice of Allowance dated May 22, 2018 in Application No. 2014-216540.
JPO; Office Action dated Jul. 31, 2018 in Application No. 2015-034774.
KIPO; Notice of Allowance dated Sep. 29, 2016 in Application No. 10-2010-0028336.
KIPO; Notice of Allowance dated Dec. 1, 2016 in Application No. 10-2010-0067768.
KIPO; Notice of Allowance dated Mar. 7, 2017 in Application No. 10-2010-0082446.
KIPO; Office Action dated Mar. 13, 2017 in Application No. 20110034612.
KIPO; Office Action dated Jul. 20, 2017 in Application No. 20110034612.
KIPO; Notice of Allowance dated Sep. 1, 2017 in Application No. 20110034612.
KIPO; Notice of Allowance dated Oct. 24, 2018 in Application No. 10-2011-0036449.
KIPO; Notice of Allowance dated Mar. 14, 2018 in Application No. 10-2011-0142924.
KIPO; Notice of Allowance dated Jun. 2, 2016 in Application No. 10-2011-7023416.
KIPO; Notice of Allowance dated Feb. 28, 2018 in Application No. 10-2012-0041878.
KIPO; Notice of Allowance dated May 30, 2018 in Application No. 10-2012-0042518.
KIPO; Office Action dated Dec. 13, 2018 in Application No. 10-2012-0064526.
KIPO; Notice of Allowance dated Nov. 22, 2018 in Application No. 10-2012-0103114.
KIPO; Notice of Allowance dated Feb. 23, 2018 in Application No. 10-2014-7017112.
KIPO; Notice of Allowance dated May 30, 2017 in Application No. 10-2016-7023913.
KIPO; Notice of Allowance dated Feb. 27, 2018 in Application No. 10-2017-0175442.
KIPO; Notice of Allowance dated Jul. 19, 2018 in Application No. 20187013945.
KIPO; Notice of Allowance dated Jan. 19, 2018 in Application No. 30-2017-0001320.
KIPO; Notice of Allowance dated Jul. 1, 2018 in Application No. 30-2017-0052872.
KIPO; Notice of Allowance dated Oct. 16, 2018 in Application No. 30-2018-0006016.
SIPO; Notice of Allowance dated May 8, 2015 in Application No. 201080015699.9.
SIPO; Notice of Allowance dated Aug. 22, 2014 in Application No. 201080020267.7.
SIPO; Notice of Allowance dated Oct. 16, 2015 in Application No. 201080020268.1.

SIPO; Notice of Allowance dated Aug. 26, 2015 in Application No. 201110155056.
SIPO; Notice of Allowance dated Apr. 13, 2017 in Application No. 201210201995.9.
SIPO; Notice of Allowance dated Jun. 16, 2016 in Application No. 201280057466.4.
SIPO; Notice of Allowance dated Jan. 3, 2017 in Application No. 201280057542.1.
SIPO; Notice of Allowance dated Jul. 20, 2017 in Application No. 201310412808.6.
SIPO; Notice of Allowance dated May 25, 2017 in Application No. 201730010308.9.
SIPO; Notice of Allowance dated Oct. 24, 2018 in Application No. 201830060972.9.
TIPO; Notice of Allowance dated Jun. 12, 2014 in Application No. 98117513.
TIPO; Notice of Allowance dated Feb. 24, 2016 in Application No. 99110511.
TIPO; Notice of Allowance dated Apr. 28, 2015 in Application No. 99114330.
TIPO; Notice of Allowance dated Oct. 16, 2015 in Application No. 99114331.
TIPO; Notice of Allowance dated Mar. 14, 2016 in Application No. 99127063.
TIPO; Notice of Allowance dated Jun. 29, 2016 in Application No. 100113130.
TIPO; Notice of Allowance dated Oct. 14, 2015 in Application No. 100130472.
TIPO; Notice of Allowance dated Oct. 19, 2016 in Application No. 101124745.
TIPO; Notice of Allowance dated Nov. 2, 2016 in Application No. 101142581.
TIPO; Notice of Allowance dated Sep. 9, 2016 in Application No. 101142582.
TIPO; Notice of Allowance dated Feb. 13, 2017 in Application No. 102113028.
TIPO; Notice of Allowance dated Dec. 26, 2017 in Application No. 102115605.
TIPO; Notice of Allowance dated May 3, 2017 in Application No. 102129262.
TIPO; Notice of Allowance dated Aug. 24, 2018 in Application No. 102126071.
TIPO; Notice of Allowance dated Jul. 18, 2017 in Application No. 102127065.
TIPO; Notice of Allowance dated Aug. 29, 2017 in Application No. 102129397.
TIPO; Notice of Allowance dated Apr. 19, 2017 in Application No. 102132952.
TIPO; Notice of Allowance dated Nov. 30, 2017 in Application No. 103102563.
TIPO; Notice of Allowance dated Apr. 10, 2018 in Application No. 103106021.
TIPO; Notice of Allowance dated Apr. 10, 2018 in Application No. 103106022.
TIPO; Notice of Allowance dated Sep. 25, 2017 in Application No. 103120478.
TIPO; Office Action dated Sep. 20, 2018 in Application No. 103123439.
TIPO; Office Action dated Apr. 25, 2018 in Application No. 103124509.
TIPO; Notice of Allowance dated Jun. 19, 2018 in Application No. 103127588.
TIPO; Notice of Allowance dated Dec. 11, 2017 in Application No. 103127734.
TIPO; Notice of Allowance dated Apr. 19, 2018 in Application No. 103134537.
TIPO; Notice of Allowance dated Oct. 17, 2017 in Application No. 103136251.
TIPO; Notice of Allowance dated Jun. 13, 2018 in Application No. 103138510.
TIPO; Notice of Allowance dated Sep. 11, 2018 in Application No. 103139014.

(56)

References Cited

OTHER PUBLICATIONS

- TIPO; Notice of Allowance dated Dec. 5, 2017 in Application No. 105308015.
- TIPO; Notice of Allowance dated Jun. 5, 2018 in Application No. 106117181.
- TIPO; Office Action dated Sep. 28, 2018 in Application No. 106119537.
- TIPO; Office Action dated Aug. 31, 2018 in Application No. 106138119.
- TIPO; Office Action dated Oct. 3, 2018 in Application No. 106142731.
- TIPO; Office Action dated Sep. 28, 2018 in Application No. 107112951.
- TIPO; Notice of Allowance dated Aug. 29, 2018 in Application No. 107300633.
- TIPO; Notice of Allowance dated Apr. 11, 2018 in Application No. 105308015D01.
- USPTO; Non-Final Office Action dated Feb. 15, 2012 in U.S. Appl. No. 13/085,531.
- USPTO; Notice of Allowance dated Jul. 12, 2012 in U.S. Appl. No. 13/085,531.
- USPTO; Final Office Action dated Nov. 2, 2018 in U.S. Appl. No. 13/169,951.
- USPTO; Final Office Action dated Nov. 1, 2018 in U.S. Appl. No. 14/219,839.
- USPTO; Final Office Action dated Nov. 2, 2018 in U.S. Appl. No. 14/219,879.
- USPTO; Final Office Action dated Nov. 28, 2018 in U.S. Appl. No. 14/508,489.
- USPTO; Notice of Allowance dated Nov. 19, 2018 in U.S. Appl. No. 14/656,588.
- USPTO; Notice of Allowance dated Nov. 19, 2018 in U.S. Appl. No. 14/919,536.
- USPTO; Final Office Action dated Dec. 10, 2018 in U.S. Appl. No. 14/997,683.
- USPTO; Final Office Action dated Oct. 19, 2018 in U.S. Appl. No. 15/060,412.
- USPTO; Non-Final Office Action dated Sep. 26, 2018 in U.S. Appl. No. 15/074,813.
- USPTO; Non-Final Office Action dated Nov. 23, 2018 in U.S. Appl. No. 15/135,258.
- USPTO; Non-Final Office Action dated Oct. 9, 2018 in U.S. Appl. No. 15/182,504.
- USPTO; Final Office Action dated Oct. 9, 2018 in U.S. Appl. No. 15/205,827.
- USPTO; Non-Final Office Action dated Nov. 14, 2018 in U.S. Appl. No. 15/377,439.
- USPTO; Notice of Allowance dated Nov. 14, 2018 in U.S. Appl. No. 15/388,410.
- USPTO; Notice of Allowance dated Dec. 28, 2018 in U.S. Appl. No. 15/388,410.
- USPTO; Restriction Requirement dated Dec. 5, 2018 in U.S. Appl. No. 15/402,993.
- USPTO; Advisory Action dated Dec. 4, 2018 in U.S. Appl. No. 15/434,051.
- USPTO; Notice of Allowance dated Nov. 30, 2018 in U.S. Appl. No. 15/472,750.
- USPTO; Notice of Allowance dated Nov. 1, 2018 in U.S. Appl. No. 15/499,647.
- USPTO; Notice of Allowance dated Nov. 15, 2018 in U.S. Appl. No. 15/499,647.
- USPTO; Final Office Action dated Nov. 16, 2018 in U.S. Appl. No. 15/592,730.
- USPTO; Restriction Requirement dated Oct. 10, 2018 in U.S. Appl. No. 15/615,489.
- USPTO; Non-Final Office Action dated Nov. 9, 2018 in U.S. Appl. No. 15/636,307.
- USPTO; Final Office Action dated Nov. 20, 2018 in U.S. Appl. No. 15/650,686.
- USPTO; Non-Final Office Action dated Dec. 4, 2018 in U.S. Appl. No. 15/672,063.
- USPTO; Restriction Requirement dated Oct. 15, 2018 in U.S. Appl. No. 15/672,119.
- USPTO; Advisory Action dated Nov. 26, 2018 in U.S. Appl. No. 15/683,701.
- USPTO; Non-Final Office Action dated Dec. 18, 2018 in U.S. Appl. No. 15/690,017.
- USPTO; Non-Final Office Action dated Dec. 6, 2018 in U.S. Appl. No. 15/705,955.
- USPTO; Notice of Allowance dated Dec. 6, 2018 in U.S. Appl. No. 15/711,989.
- USPTO; Final Office Action dated Dec. 13, 2018 in U.S. Appl. No. 15/719,208.
- USPTO; Final Office Action dated Nov. 14, 2018 in U.S. Appl. No. 15/726,959.
- USPTO; Non-Final Office Action dated Nov. 28, 2018 in U.S. Appl. No. 15/795,056.
- USPTO; Non-Final Office Action dated Sep. 26, 2018 in U.S. Appl. No. 15/832,188.
- USPTO; Notice of Allowance dated Dec. 10, 2018 in U.S. Appl. No. 15/863,340.
- USPTO; Restriction Requirement dated Dec. 13, 2018 in U.S. Appl. No. 15/886,225.
- USPTO; Non-Final Office Action dated Nov. 15, 2018 in U.S. Appl. No. 15/890,037.
- USPTO; Restriction Requirement dated Oct. 9, 2018 in U.S. Appl. No. 15/892,756.
- USPTO; Restriction Requirement dated Nov. 26, 2018 in U.S. Appl. No. 15/917,262.
- USPTO; Restriction Requirement dated Nov. 2, 2018 in U.S. Appl. No. 16/018,692.
- WIPO; International Search Report and Written Opinion dated Nov. 6, 2018 in Application No. PCT/IB2017/001652.
- Beynet et al. "Low temperature plasma-enhanced ALD enables cost-effective spacer defined double patterning," Proceedings of SPIE, 7520, (2009).
- Gupta et al., "Charge carrier transport and electroluminescence in atomic layer deposited poly-GaN/c-Si heterojunction diodes," Journal of Applied Physics, 124, 084503 (2018).
- MacKenzie et al. "Stress Control of Si-Based PEVCD Dielectrics," Proc. Symp. Silicon Nitride and Silicon Dioxide Thin Insulating Films & Other Emerging Dielectrics VIII, 148-159 (2005).
- USPTO; Notice of Allowance dated Jul. 26, 2005 in U.S. Appl. No. 10/033,058.
- USPTO; Non-Final Office Action dated Aug. 25, 2005 in U.S. Appl. No. 10/191,635.
- USPTO; Final Office Action dated Apr. 25, 2006 in U.S. Appl. No. 10/191,635.
- USPTO; Non-Final Office Action dated Nov. 20, 2006 in U.S. Appl. No. 10/191,635.
- USPTO; Notice of Allowance dated May 21, 2007 in U.S. Appl. No. 10/191,635.
- USPTO; Notice of Allowance dated Feb. 20, 2008 in U.S. Appl. No. 10/191,635.
- USPTO; Non-Final Office Action dated May 13, 2003 in U.S. Appl. No. 10/222,229.
- USPTO; Non-Final Office Action dated Oct. 22, 2003 in U.S. Appl. No. 10/222,229.
- USPTO; Final Office Action dated Mar. 22, 2004 in U.S. Appl. No. 10/222,229.
- USPTO; Advisory Action dated Oct. 7, 2004 in U.S. Appl. No. 10/222,229.
- USPTO; Non-Final Office Action dated Dec. 22, 2004 in U.S. Appl. No. 10/222,229.
- USPTO; Final Office Action dated Jun. 20, 2005 in U.S. Appl. No. 10/222,229.
- USPTO; Advisory Action dated Nov. 16, 2005 in U.S. Appl. No. 10/222,229.
- USPTO; Notice of Allowance dated Mar. 8, 2006 in U.S. Appl. No. 10/222,229.
- USPTO; Non-Final Office Action dated Jan. 26, 2005 in U.S. Appl. No. 10/838,510.
- USPTO; Notice of Allowance dated Jul. 12, 2005 in U.S. Appl. No. 10/838,510.

(56)

References Cited

OTHER PUBLICATIONS

- USPTO; Non-Final Office Action dated Mar. 28, 2010 in U.S. Appl. No. 12/121,085.
- USPTO; Notice of Allowance dated Jul. 26, 2010 in U.S. Appl. No. 12/121,085.
- USPTO; Notice of Allowance dated Oct. 4, 2010 in U.S. Appl. No. 12/121,085.
- USPTO; Non-Final Office Action dated Sep. 13, 2010 in U.S. Appl. No. 12/140,809.
- USPTO; Final Office Action dated Dec. 28, 2010 in U.S. Appl. No. 12/140,809.
- USPTO; Notice of Allowance dated Mar. 17, 2011 in U.S. Appl. No. 12/140,809.
- USPTO; Non-Final Office Action dated Mar. 15, 2011 in U.S. Appl. No. 12/193,924.
- USPTO; Foma; Office Action dated Sep. 30, 2011 in U.S. Appl. No. 12/193,924.
- USPTO; Non-Final Office Action dated Oct. 24, 2012 in U.S. Appl. No. 12/193,924.
- USPTO; Final Office Action dated Apr. 17, 2013 in U.S. Appl. No. 12/193,924.
- USPTO; Advisory Action dated Jul. 9, 2013 in U.S. Appl. No. 12/193,924.
- USPTO; Non-Final Office Action dated Jul. 28, 2011 in U.S. Appl. No. 12/330,096.
- USPTO; Final Office Action dated Jan. 13, 2012 in U.S. Appl. No. 12/330,096.
- USPTO; Notice of Allowance dated Mar. 6, 2012 in U.S. Appl. No. 12/330,096.
- USPTO; Non-Final Office Action dated Mar. 20, 2012 in U.S. Appl. No. 12/330,096.
- USPTO; Notice of Allowance dated Jun. 7, 2012 in U.S. Appl. No. 12/330,096.
- USPTO; Notice of Allowance dated Apr. 2, 2012 in U.S. Appl. No. 12/416,809.
- USPTO; Advisory Action dated Feb. 3, 2012 in U.S. Appl. No. 12/416,809.
- USPTO; Non-Final Office Action dated Aug. 3, 2011 in U.S. Appl. No. 12/436,300.
- USPTO; Final Office Action dated Jan. 23, 2012 in U.S. Appl. No. 12/436,300.
- USPTO; Advisory Action dated Mar. 6, 2012 in U.S. Appl. No. 12/436,300.
- USPTO; Non-Final Office Action dated May 22, 2012 in U.S. Appl. No. 12/436,300.
- USPTO; Notice of Allowance dated Nov. 28, 2012 in U.S. Appl. No. 12/436,300.
- USPTO; Restriction Requirement dated Dec. 20, 2011 in U.S. Appl. No. 12/436,306.
- USPTO; Non-Final Office Action dated Apr. 11, 2012 in U.S. Appl. No. 12/436,306.
- USPTO; Final Office Action dated Sep. 26, 2012 in U.S. Appl. No. 12/436,306.
- USPTO; Non-Final Office Action dated May 31, 2013 in U.S. Appl. No. 12/436,306.
- USPTO; Final Office Action dated Oct. 17, 2013 in U.S. Appl. No. 12/436,306.
- USPTO; Advisory Action dated Oct. 1, 2014 in U.S. Appl. No. 12/436,306.
- USPTO; Non-Final Office Action dated Feb. 4, 2014 in U.S. Appl. No. 12/436,306.
- USPTO; Final Office Action dated Jun. 23, 2014 in U.S. Appl. No. 12/436,306.
- USPTO; Non-Final Office Action dated Feb. 3, 2015 in U.S. Appl. No. 12/436,306.
- USPTO; Final Office Action dated May 13, 2015 in U.S. Appl. No. 12/436,306.
- USPTO; Non-Final Office Action dated Oct. 14, 2015 in U.S. Appl. No. 12/436,306.
- USPTO; Final Office Action dated Dec. 31, 2015 in U.S. Appl. No. 12/436,306.
- USPTO; Notice of Allowance dated Feb. 3, 2016 in U.S. Appl. No. 12/436,306.
- USPTO; Non-Final Office Action dated Aug. 3, 2011 in U.S. App. No. 12/436,315.
- USPTO; Notice of Allowance dated Nov. 17, 2011 in U.S. Appl. No. 12/436,315.
- USPTO; Advisory Action dated Jul. 23, 2013 in U.S. Appl. No. 12/618,355.
- USPTO; Advisory Action dated Mar. 4, 2016 in U.S. Appl. No. 12/618,355.
- USPTO; Advisory Action dated May 16, 2017 in U.S. Appl. No. 12/618,355.
- USPTO; Non-Final Office Action dated Nov. 29, 2017 in U.S. Appl. No. 12/618,355.
- USPTO; Final Office Action dated Aug. 10, 2018 in U.S. Appl. No. 12/618,355.
- USPTO; Advisory Action dated Aug. 9, 2012 in U.S. Appl. No. 12/618,419.
- USPTO; Notice of Allowance dated Oct. 9, 2013 in U.S. Appl. No. 12/618,419.
- USPTO; Requirement for Restriction dated Sep. 12, 2011 in U.S. Appl. No. 12/718,731.
- USPTO; Advisory Action dated Jul. 1, 2013 in U.S. Appl. No. 12/847,848.
- USPTO; Requirement for Restriction dated Jul. 22, 2013 in U.S. Appl. No. 12/910,607.
- USPTO; Advisory Action dated Jul. 9, 2014 in U.S. Appl. No. 12/910,607.
- USPTO; Advisory Action dated Jul. 8, 2013 in U.S. Appl. No. 12/953,870.
- USPTO; Non-Final Office Action dated Aug. 28, 2013 in U.S. Appl. No. 12/953,870.
- USPTO; Final Office Action dated Apr. 17, 2014 in U.S. Appl. No. 12/953,870.
- USPTO; Requirement for Restriction dated Sep. 10, 2010 in U.S. Appl. No. 12/148,956.
- USPTO; Advisory Action dated Jun. 12, 2014 in U.S. Appl. No. 13/102,980.
- USPTO; Notice of Allowance dated Sep. 17, 2014 in U.S. Appl. No. 13/102,980.
- USPTO; Requirement for Restriction dated Jun. 5, 2014 in U.S. Appl. No. 13/154,271.
- USPTO; Requirement for Restriction dated Apr. 6, 2016 in U.S. Appl. No. 13/166,367.
- USPTO; Advisory Action dated Apr. 21, 2017 in U.S. Appl. No. 13/166,367.
- USPTO; Requirement for Restriction dated Jun. 18, 2014 in U.S. Appl. No. 13/169,951.
- USPTO; Advisory Action dated May 13, 2016 in U.S. Appl. No. 13/169,951.
- USPTO; Advisory Action dated Feb. 15, 2017 in U.S. Appl. No. 13/169,951.
- USPTO; Final Office Action dated Nov. 2, 2017 in U.S. Appl. No. 13/169,951.
- USPTO; Advisory Action dated Feb. 8, 2018 in U.S. Appl. No. 13/169,951.
- USPTO; Non-Final Office Action dated Apr. 6, 2018 in U.S. Appl. No. 13/169,951.
- USPTO; Advisory Action dated Dec. 17, 2014 in U.S. Appl. No. 13/181,407.
- USPTO; Requirement for Restriction Sep. 25, 2012 in U.S. Appl. No. 13/184,351.
- USPTO; Advisory Action dated Nov. 7, 2013 in U.S. Appl. No. 13/184,351.
- USPTO; Advisory Action dated May 18, 2015 in U.S. Appl. No. 13/184,351.
- USPTO; Advisory Action dated Oct. 4, 2017 in U.S. Appl. No. 13/184,351.
- USPTO; Non-Final Office Action dated Jul. 26, 2018 in U.S. Appl. No. 13/184,351.

(56)

References Cited

OTHER PUBLICATIONS

- USPTO; Restriction Requirement dated Aug. 21, 2014 in U.S. Appl. No. 13/187,300.
- USPTO; Advisory Action dated Mar. 28, 2016 in U.S. Appl. No. 13/283,408.
- USPTO; Restriction Requirement dated Oct. 2, 2013 in U.S. Appl. No. 13/312,591.
- USPTO; Advisory Action dated Aug. 26, 2014 in U.S. Appl. No. 13/312,591.
- USPTO; Notice of Allowance dated Jun. 11, 2015 in U.S. Appl. No. 13/312,591.
- USPTO; Requirement for Restriction dated Nov. 26, 2013 in U.S. Appl. No. 13/333,420.
- USPTO; Advisory Action dated Mar. 27, 2013 in U.S. Appl. No. 13/406,791.
- USPTO; Advisory Action dated Oct. 29, 2013 in U.S. Appl. No. 13/406,791.
- USPTO; Advisory Action dated Apr. 22, 2015 in U.S. Appl. No. 13/411,271.
- USPTO; Advisory Action dated Mar. 31, 2014 in U.S. Appl. No. 13/550,419.
- USPTO; Advisory Action dated Apr. 16, 2015 in U.S. Appl. No. 13/563,066.
- USPTO; Non-Final Office Action dated May 28, 2013 in U.S. Appl. No. 13/563,274.
- USPTO; Notice of Allowance dated Sep. 27, 2013 in U.S. Appl. No. 13/563,274.
- USPTO; Advisory Action dated May 5, 2014 in U.S. Appl. No. 13/565,564.
- USPTO; Notice of Allowance dated Sep. 13, 2013 in U.S. Appl. No. 13/566,069.
- USPTO; Advisory Action dated Sep. 2, 2015 in U.S. Appl. No. 13/597,108.
- USPTO; Notice of Allowance dated Mar. 7, 2017 in U.S. Appl. No. 13/597,108.
- USPTO; Restriction Requirement dated Jul. 9, 2013 in U.S. Appl. No. 13/612,538.
- USPTO; Notice of Allowance dated Feb. 25, 2015 in U.S. Appl. No. 13/612,538.
- USPTO; Requirement for Restriction dated Feb. 4, 2015 in U.S. Appl. No. 13/646,403.
- USPTO; Requirement for Restriction dated Apr. 11, 2014 in U.S. Appl. No. 13/646,471.
- USPTO; Advisory Action dated Nov. 14, 2014 in U.S. Appl. No. 13/646,471.
- USPTO; Advisory Action dated Apr. 15, 2016 in U.S. Appl. No. 13/646,471.
- USPTO; Final Office Action dated Oct. 20, 2016 in U.S. Appl. No. 13/646,471.
- USPTO; Restriction Requirement dated Mar. 4, 2015 in U.S. Appl. No. 13/651,144.
- USPTO; Advisory Action dated Apr. 19, 2018 in U.S. Appl. No. 13/651,144.
- USPTO; Requirement for Restriction dated Dec. 24, 2014 in U.S. Appl. No. 13/665,366.
- USPTO; Final Office Action dated Mar. 1, 2016 in U.S. Appl. No. 13/665,366.
- USPTO; Advisory Action dated May 13, 2016 in U.S. Appl. No. 13/665,366.
- USPTO; Non-Final Office Action dated Jun. 17, 2016 in U.S. Appl. No. 13/665,366.
- USPTO; Final Office Action dated May 3, 2017 in U.S. Appl. No. 13/665,366.
- USPTO; Notice of Allowance dated Aug. 24, 2015 in U.S. Appl. No. 13/677,133.
- USPTO; Notice of Allowance dated Mar. 17, 2015 in U.S. Appl. No. 13/677,151.
- USPTO; Advisory Action dated Apr. 6, 2016 in U.S. Appl. No. 13/727,324.
- USPTO; Non-Final Office Action dated Sep. 16, 2013 in U.S. Appl. No. 13/760,160.
- USPTO; Final Office Action dated Dec. 27, 2013 in U.S. Appl. No. 13/760,160.
- USPTO; Non-Final Office Action dated Jun. 4, 2014 in U.S. Appl. No. 13/760,160.
- USPTO; Final Office Action dated Sep. 25, 2014 in U.S. Appl. No. 13/760,160.
- USPTO; Final Office Action dated Jan. 28, 2015 in U.S. Appl. No. 13/760,160.
- USPTO; Final Office Action dated May 12, 2015 in U.S. Appl. No. 13/760,160.
- USPTO; Notice of Allowance dated Oct. 21, 2015 in U.S. Appl. No. 13/760,160.
- USPTO; Notice of Allowance dated Jan. 20, 2016 in U.S. Appl. No. 13/760,160.
- USPTO; Advisory Action dated Jul. 13, 2016 in U.S. Appl. No. 13/791,246.
- USPTO; Notice of Allowance dated Oct. 19, 2016 in U.S. Appl. No. 13/791,246.
- USPTO; Advisory Action dated Jul. 14, 2016 in U.S. Appl. No. 13/791,339.
- USPTO; Advisory Action dated Jun. 29, 2015 in U.S. Appl. No. 13/901,372.
- USPTO; Advisory Action dated Dec. 11, 2014 in U.S. Appl. No. 13/912,666.
- USPTO; Requirement for Restriction dated Sep. 4, 2014 in U.S. Appl. No. 13/915,732.
- USPTO; Final Office Action dated Mar. 1, 2016 in U.S. Appl. No. 13/941,216.
- USPTO; Notice of Allowance dated Nov. 14, 2016 in U.S. Appl. No. 13/941,216.
- USPTO; Non-Final Office Action dated Jan. 14, 2014 in U.S. Appl. No. 13/941,226.
- USPTO; Non-Final Office Action dated Jul. 8, 2014 in U.S. Appl. No. 13/941,226.
- USPTO; Non-Final Office Action dated Feb. 3, 2015 in U.S. Appl. No. 13/941,226.
- USPTO; Final Office Action dated Feb. 12, 2016 in U.S. Appl. No. 13/941,226.
- USPTO; Advisory Action dated Jul. 29, 2016 in U.S. Appl. No. 13/941,226.
- USPTO; Non-Final Office Action dated Aug. 8, 2017 in U.S. Appl. No. 13/941,226.
- USPTO; Notice of Allowance dated Feb. 27, 2015 in U.S. Appl. No. 13/948,055.
- USPTO; Notice of Allowance dated Mar. 31, 2015 in U.S. Appl. No. 13/948,055.
- USPTO; Notice of Allowance dated Mar. 21, 2016 in U.S. Appl. No. 13/966,782.
- USPTO; Non-Final Office Action Restriction dated Jan. 2, 2015 in U.S. Appl. No. 14/040,196.
- USPTO; Advisory Action dated Aug. 24, 2015 in U.S. Appl. No. 14/065,114.
- USPTO; Non-Final Office Action dated Dec. 23, 2015 in U.S. Appl. No. 14/079,302.
- USPTO; Requirement for Restriction dated Aug. 11, 2015 in U.S. Appl. No. 14/090,750.
- USPTO; Advisory Action dated May 5, 2016 in U.S. Appl. No. 14/090,750.
- USPTO; Advisory Action dated Dec. 21, 2016 in U.S. Appl. No. 14/090,750.
- USPTO; Advisory Action dated Jan. 30, 2018 in U.S. Appl. No. 14/090,750.
- USPTO; Non-Final Office Action dated Mar. 12, 2018 in U.S. Appl. No. 14/090,750.
- USPTO; Advisory Action dated Feb. 20, 2015 in U.S. Appl. No. 14/183,187.
- USPTO; Notice of Allowance dated Aug. 31, 2015 in U.S. Appl. No. 14/183,187.
- USPTO; Requirement for Restriction dated Sep. 24, 2015 in U.S. Appl. No. 14/188,760.

(56)

References Cited

OTHER PUBLICATIONS

- USPTO; Non-Final Office Action dated Apr. 18, 2018 in U.S. Appl. No. 14/188,760.
- USPTO; Advisory Action dated Apr. 29, 2016 in U.S. Appl. No. 14/218,374.
- USPTO; Notice of Allowance dated Aug. 5, 2016 in U.S. Appl. No. 14/218,374.
- USPTO; Final Office Action dated May 24, 2018 in U.S. Appl. No. 14/218,690.
- USPTO; Advisory Action dated Jun. 30, 2016 in U.S. Appl. No. 14/219,839.
- USPTO; Final Office Action dated Jul. 6, 2017 in U.S. Appl. No. 14/219,839.
- USPTO; Non-Final Office Action dated Mar. 27, 2018 in U.S. Appl. No. 14/219,839.
- USPTO; Final Office action dated May 19, 2016 in U.S. Appl. No. 14/219,879.
- USPTO; Advisory Action dated Aug. 22, 2016 in U.S. Appl. No. 14/219,879.
- USPTO; Advisory Action dated Oct. 5, 2017 in U.S. Appl. No. 14/219,879.
- USPTO; Non-Final Office Action dated Apr. 6, 2018 in U.S. Appl. No. 14/219,879.
- USPTO; Advisory Action dated Aug. 2, 2016 in U.S. Appl. No. 14/246,969.
- USPTO; Notice of Allowance dated Feb. 27, 2017 in U.S. Appl. No. 14/246,969.
- USPTO; Requirement for Restriction dated Jun. 15, 2015 in U.S. Appl. No. 14/268,348.
- USPTO; Notice of Allowance dated Aug. 30, 2016 in U.S. Appl. No. 14/268,348.
- USPTO; Requirement for Restriction dated May 21, 2015 in U.S. Appl. No. 14/281,477.
- USPTO; Advisory Action dated Mar. 28, 2016 in U.S. Appl. No. 14/281,477.
- USPTO; Final Office Action dated Mar. 28, 2018 in U.S. Appl. No. 14/444,744.
- USPTO; Non-Final Office Action Dated Jul. 27, 2018 in U.S. Appl. No. 14/444,744.
- USPTO; Notice of Allowance dated Nov. 28, 2016 in U.S. Appl. No. 14/449,838.
- USPTO; Advisory Action dated Sep. 21, 2016 in U.S. Appl. No. 14/457,058.
- USPTO; Non-Final Office Action dated Oct. 19, 2017 in U.S. Appl. No. 14/457,058.
- USPTO; Final Office Action dated Jun. 14, 2018 in U.S. Appl. No. 14/457,058.
- USPTO; Non-Final Office Action dated May 31, 2018 in U.S. Appl. No. 15/491,726.
- USPTO; Requirement for Restriction dated Sep. 3, 2015 in U.S. Appl. No. 14/498,036.
- USPTO; Advisory Action dated Jun. 16, 2016 in U.S. Appl. No. 14/498,036.
- USPTO; Notice of Allowance dated Aug. 17, 2016 in U.S. Appl. No. 14/498,036.
- USPTO; Requirement for Restriction dated Mar. 20, 2015 in U.S. Appl. No. 14/505,290.
- USPTO; Advisory Action dated Aug. 17, 2016 in U.S. Appl. No. 14/508,296.
- USPTO; Notice of Allowance dated Jan. 27, 2017 in U.S. Appl. No. 14/508,296.
- USPTO; Restriction for Requirement dated Dec. 30, 2016 in U.S. Appl. No. 14/508,489.
- USPTO; Non-Final Office Action dated May 15, 2018 in U.S. Appl. No. 14/508,489.
- USPTO; Advisory Action dated Dec. 21, 2016 in U.S. Appl. No. 14/568,647.
- USPTO; Advisory Action dated Apr. 12, 2018 in U.S. Appl. No. 14/568,647.
- USPTO; Non-Final Office Action dated May 25, 2018 in U.S. Appl. No. 14/568,647.
- USPTO; Notice of Allowance dated May 18, 2016 in U.S. Appl. No. 14/571,126.
- USPTO; Restriction Requirement dated Mar. 7, 2016 in U.S. Appl. No. 14/606,364.
- USPTO; Final Office Action dated Jun. 14, 2016 in U.S. Appl. No. 14/606,364.
- USPTO; Advisory Action dated Aug. 25, 2016 in U.S. Appl. No. 14/606,364.
- USPTO; Non-Final Office Action dated Sep. 27, 2016 in U.S. Appl. No. 14/606,354.
- USPTO; Notice of Allowance dated Aug. 2, 2016 in U.S. Appl. No. 14/622,603.
- USPTO; Notice of Allowance dated Feb. 16, 2016 in U.S. Appl. No. 14/634,342.
- USPTO; Non-Final Office Action dated May 16, 2018 in U.S. Appl. No. 14/645,234.
- USPTO; Final Office Action dated Aug. 10, 2018 in U.S. Appl. No. 14/645,234.
- USPTO; Non-Final Office Action dated Apr. 6, 2018 in U.S. Appl. No. 14/656,588.
- USPTO; Requirement for Restriction dated Oct. 26, 2015 in U.S. Appl. No. 14/659,152.
- USPTO; Non-Final Office Action dated Sep. 7, 2017 in U.S. Appl. No. 14/660,755.
- USPTO; Requirement for Restriction dated Jul. 5, 2017 in U.S. Appl. No. 14/752,712.
- USPTO; Advisory Action dated Feb. 15, 2018 in U.S. Appl. No. 14/752,712.
- USPTO; Non-Final Office Action dated Mar. 21, 2018 in U.S. Appl. No. 14/752,712.
- USPTO; Final Office Action dated Mar. 29, 2018 in U.S. Appl. No. 14/793,323.
- USPTO; Non-Final Office Action dated Aug. 10, 2018 in U.S. Appl. No. 14/793,323.
- USPTO; Non-Final Office Action dated Sep. 21, 2017 in U.S. Appl. No. 14/808,979.
- USPTO; Final Office Action dated Mar. 14, 2018 in U.S. Appl. No. 14/808,979.
- USPTO; Notice of Allowance dated Jun. 27, 2018 in U.S. Appl. No. 14/808,979.
- USPTO; Non-Final Office Action dated Feb. 23, 2018 in U.S. Appl. No. 14/817,953.
- USPTO; Notice of Allowance dated Jul. 11, 2018 in U.S. Appl. No. 14/817,953.
- USPTO; Requirement for Restriction dated Mar. 17, 2016 in U.S. Appl. No. 14/827,177.
- USPTO; Notice of Allowance dated Jan. 27, 2017 in U.S. Appl. No. 14/827,177.
- USPTO; Requirement for Restriction dated Aug. 8, 2016 in U.S. Appl. No. 14/829,565.
- USPTO; Advisory Action dated Apr. 20, 2017 in U.S. Appl. No. 14/829,565.
- USPTO; Final Office Action dated Mar. 5, 2018 in U.S. Appl. No. 14/829,565.
- USPTO; Advisory Action dated Feb. 14, 2017 in U.S. Appl. No. 14/835,637.
- USPTO; Advisory Action dated Apr. 20, 2017 in U.S. Appl. No. 14/884,695.
- USPTO; Requirement for Restriction dated Dec. 1, 2016 in U.S. Appl. No. 14/886,571.
- USPTO; Requirement for Restriction dated Sep. 20, 2016 in U.S. Appl. No. 14/919,536.
- USPTO; Final Office Action dated May 11, 2018 in U.S. Appl. No. 14/919,536.
- USPTO; Non-Final Office Action dated May 3, 2016 in U.S. Appl. No. 14/937,053.
- USPTO; Notice of Allowance dated Jul. 26, 2016 in U.S. Appl. No. 14/937,053.
- USPTO; Requirement for Restriction dated Sep. 15, 2016 in U.S. Appl. No. 14/938,180.

(56)

References Cited

OTHER PUBLICATIONS

- USPTO; Notice of Allowance dated Nov. 21, 2016 in U.S. Appl. No. 14/981,434.
- USPTO; Final Office Action dated Feb. 6, 2018 in U.S. Appl. No. 14/997,683.
- USPTO; Advisory Action dated May 2, 2018 in U.S. Appl. No. 14/997,683.
- USPTO; Non-Final Office Action dated Jun. 20, 2018 in U.S. Appl. No. 14/997,683.
- USPTO; Requirement for Restriction dated Apr. 19, 2017 in U.S. Appl. No. 15/050,159.
- USPTO; Notice of Allowance dated Feb. 7, 2018 in U.S. Appl. No. 15/050,159.
- USPTO; Non-Final Office Action dated Apr. 22, 2016 in U.S. Appl. No. 15/055,122.
- USPTO; Notice of Allowance dated Sep. 15, 2016 in U.S. Appl. No. 15/055,122.
- USPTO; Non-Final Office Action dated Feb. 20, 2018 in U.S. Appl. No. 15/060,412.
- USPTO; Requirement for Restriction dated Jun. 4, 2018 in U.S. Appl. No. 15/067,028.
- USPTO; Requirement for Restriction dated Jun. 28, 2018 in U.S. Appl. No. 15/074,813.
- USPTO; Notice of Allowance dated Jun. 29, 2018 in U.S. Appl. No. 15/135,224.
- USPTO; Final Office Action dated Jul. 6, 2018 in U.S. Appl. No. 15/135,258.
- USPTO; Notice of Allowance dated Apr. 11, 2018 in U.S. Appl. No. 15/144,481.
- USPTO; Final Office Action dated Jul. 26, 2018 in U.S. Appl. No. 15/144,506.
- USPTO; Requirement for Restriction dated Jun. 22, 2018 in U.S. Appl. No. 15/182,504.
- USPTO; Final Office Action dated Jun. 7, 2017 in U.S. Appl. No. 15/203,632.
- USPTO; Advisory Action dated Aug. 23, 2017 in U.S. Appl. No. 15/203,632.
- USPTO; Advisory Action dated Jun. 22, 2017 in U.S. Appl. No. 15/203,642.
- USPTO; Non-Final Office Action dated May 14, 2018 in U.S. Appl. No. 15/205,827.
- USPTO; Requirement for Restriction dated Jan. 26, 2017 in U.S. Appl. No. 15/205,890.
- USPTO; Non-Final Office Action Jan. 20, 2017 in U.S. Appl. No. 15/210,256.
- USPTO; Notice of Allowance dated May 18, 2017 in U.S. Appl. No. 15/210,256.
- USPTO; Notice of Allowance dated Jul. 24, 2017 in U.S. Appl. No. 15/210,256.
- USPTO; Requirement for Restriction dated Apr. 3, 2017 in U.S. Appl. No. 15/222,715.
- USPTO; Final Office Action dated Jun. 4, 2018 in U.S. Appl. No. 15/222,749.
- USPTO; Final Office Action dated May 17, 2018 in U.S. Appl. No. 15/222,780.
- USPTO; Requirement for Restriction dated Dec. 5, 2017 in U.S. Appl. No. 15/254,605.
- USPTO; Notice of Allowance dated Jul. 12, 2018 in U.S. Appl. No. 15/254,605.
- USPTO; Notice of Allowance dated Apr. 2, 2018 in U.S. Appl. No. 15/254,724.
- USPTO; Non-Final Office Action dated May 22, 2018 in U.S. Appl. No. 15/262,990.
- USPTO; Non-Final Office Action dated Aug. 3, 2018 in U.S. Appl. No. 15/273,488.
- USPTO; Non-Final Office Action dated Jul. 2, 2018 in U.S. Appl. No. 15/286,503.
- USPTO; Requirement for Restriction dated Sep. 12, 2017 in U.S. Appl. No. 15/377,439.
- USPTO; Final Office Action dated Apr. 16, 2018 in U.S. Appl. No. 15/377,439.
- USPTO; Advisory Action dated Aug. 8, 2018 in U.S. Appl. No. 15/377,439.
- USPTO; Notice of Allowance dated Aug. 8, 2017 in U.S. Appl. No. 15/380,895.
- USPTO; Requirement for Restriction dated Sep. 21, 2017 in U.S. Appl. No. 15/380,921.
- USPTO; Final Office Action dated Jun. 28, 2018 in U.S. Appl. No. 15/380,921.
- USPTO; Final Office Action dated May 15, 2018 in U.S. Appl. No. 15/388,410.
- USPTO; Non-Final Office Action dated Aug. 7, 2018 in U.S. Appl. No. 15/428,808.
- USPTO; Non-Final Office Action dated Apr. 6, 2018 in U.S. Appl. No. 15/434,051.
- USPTO; Notice of Allowance dated Apr. 20, 2018 in U.S. Appl. No. 15/466,149.
- USPTO; Final Office Action dated Apr. 19, 2018 in U.S. Appl. No. 15/489,453.
- USPTO; Notice of Allowance dated Dec. 19, 2017 in U.S. Appl. No. 15/489,660.
- USPTO; Non-Final Office Action dated Apr. 6, 2018 in U.S. Appl. No. 15/472,750.
- USPTO; Notice of Allowance dated Mar. 21, 2018 in U.S. Appl. No. 15/476,035.
- USPTO; Notice of Allowance dated Aug. 14, 2018 in U.S. Appl. No. 15/476,035.
- USPTO; Notice of Allowance dated May 23, 2018 in U.S. Appl. No. 15/499,647.
- USPTO; Non-Final Office Action dated Jun. 21, 2018 in U.S. Appl. No. 15/499,647.
- USPTO; Office Action dated May 3, 2018 in U.S. Appl. No. 15/589,861.
- USPTO; Requirement of Restriction dated Mar. 30, 2018 in U.S. Appl. No. 15/589,849.
- USPTO; Office Action dated Aug. 30, 2018 in U.S. Appl. No. 15/589,849.
- USPTO; Non-Final Office Action dated Apr. 4, 2018 in U.S. Appl. No. 15/592,730.
- USPTO; Requirement for Restriction dated Aug. 1, 2018 in U.S. Appl. No. 15/627,189.
- USPTO; Non-Final Office Action dated Jun. 5, 2018 in U.S. Appl. No. 15/650,686.
- USPTO; Requirement for Restriction dated Apr. 6, 2018 in U.S. Appl. No. 15/659,631.
- USPTO; Non-Final Office Action dated Aug. 9, 2018 in U.S. Appl. No. 15/660,805.
- USPTO; Non-Final Office Action dated Jul. 27, 2018 in U.S. Appl. No. 15/673,110.
- USPTO; Non-Final Office Action dated Apr. 25, 2018 in U.S. Appl. No. 15/673,278.
- USPTO; Non-Final Office Action dated Jan. 18, 2018 in U.S. Appl. No. 15/683,701.
- USPTO; Final Office Action dated Aug. 24, 2018 in U.S. Appl. No. 15/683,701.
- USPTO; Non-Final Office Action dated Aug. 9, 2018 in U.S. Appl. No. 15/691,241.
- USPTO; Requirement for Restriction dated Jul. 11, 2018 in U.S. Appl. No. 15/707,786.
- USPTO; Requirement for Restriction dated May 11, 2018 in U.S. Appl. No. 15/711,989.
- USPTO; Non-Final Office Action dated Jun. 14, 2018 in U.S. Appl. No. 15/711,989.
- USPTO; Non-Final Office Action dated May 29, 2018 in U.S. Appl. No. 15/719,208.
- USPTO; Non-Final Office Action dated Apr. 19, 2018 in U.S. Appl. No. 15/726,959.
- USPTO; Non-Final Office Action dated May 17, 2018 in U.S. Appl. No. 15/729,485.
- USPTO; Non-Final Office Action dated Jun. 26, 2018 in U.S. Appl. No. 15/796,593.

(56)

References Cited

OTHER PUBLICATIONS

- USPTO; Notice of Allowance dated Jun. 13, 2018 in U.S. Appl. No. 15/798,120.
- USPTO; Requirement for Restriction dated Apr. 6, 2018 in U.S. Appl. No. 15/798,201.
- USPTO; Non-Final Office Action dated Aug. 9, 2018 in U.S. Appl. No. 15/798,201.
- USPTO; Non-Final Office Action dated Jul. 2, 2018 in U.S. Appl. No. 15/815,483.
- USPTO; Requirement for Restriction dated Mar. 21, 2018 in U.S. Appl. No. 15/863,340.
- USPTO; Non-Final Office Action dated Jul. 23, 2018 in U.S. Appl. No. 15/863,340.
- USPTO; Notice of Allowance dated May 14, 2012 in U.S. Appl. No. 29/411,637.
- USPTO; Notice of Allowance dated Oct. 2, 2013 in U.S. Appl. No. 29/412,887.
- USPTO; Notice of Allowance dated Dec. 19, 2013 in U.S. Appl. No. 29/448,094.
- USPTO; Requirement for Restriction dated Dec. 1, 2014 in U.S. Appl. No. 29/481,312.
- USPTO; Requirement for Restriction dated Dec. 4, 2014 in U.S. Appl. No. 29/481,315.
- USPTO; Notice of Allowance dated Jun. 16, 2017 in U.S. Appl. No. 29/570,711
- USPTO; Notice of Allowance dated Jun. 26, 2018 in U.S. Appl. No. 29/604,288.
- PCT; International Preliminary Report on Patentability dated Nov. 24, 2009 and International Search Report dated Jul. 31, 2008 in Application No. PCT/US2008/063919.
- PCT; International Preliminary Report on Patentability dated Feb. 24, 2010 in Application No. PCT/US2008/074063.
- PCT; International Preliminary Report on Patentability dated Nov. 26, 2009 in Application No. PCT/US2009/043454.
- PCT; International Preliminary Report on Patentability dated Jun. 14, 2011 in Application No. PCT/US2009/066377.
- PCT; International Preliminary Report on Patentability dated Nov. 9, 2011 in Application No. PCT/US2010/033244.
- PCT; International Preliminary Report on Patentability dated Nov. 9, 2011 in Application No. PCT/US2010/033248.
- PCT; International Preliminary Report on Patentability dated Nov. 9, 2011 in Application No. PCT/US2010/033252.
- PCT; International Search Report and Written Opinion dated Nov. 16, 2017 in Application No. PCT/IB2017/001015.
- PCT; International Search Report and Written Opinion dated Nov. 13, 2017 in Application No. PCT/IB2017/001050.
- PCT; International Search Report and Written Opinion dated Nov. 30, 2017 in Application No. PCT/IB2017/001070.
- PCT; International Search Report and Written Opinion dated Jan. 25, 2018 in Application No. PCT/IB2017/001262.
- PCT; International Search Report and Written Opinion dated Jun. 1, 2018 in Application No. PCT/IB2017/001644.
- PCT; International Search Report and Written Opinion dated Jun. 1, 2018 in Application No. PCT/IB2017/001656.
- Chinese Patent Office; Office Action dated Aug. 1, 2013 in Application No. 201080015699.9.
- Chinese Patent Office; Office Action dated Jan. 21, 2014 in Application No. 201080015699.9
- Chinese Patent Office; Office Action dated Jul. 24, 2014 in Application No. 201080015699.9.
- Chinese Patent Office; Office Action dated Dec. 10, 2013 in Application No. 201080020267.7.
- Chinese Patent Office; Office Action dated Jan. 21, 2013 in Application No. 201080020268.1.
- Chinese Patent Office; Office Action dated Sep. 26, 2013 in Application No. 201080020268.1.
- Chinese Patent Office; Office Action dated Apr. 3, 2014 in Application No. 201080020268.1.
- Chinese Patent Office; Office Action dated Sep. 23, 2014 in Application No. 201080020268.1.
- Chinese Patent Office; Office Action dated Apr. 7, 2015 in Application No. 201080020268.1.
- Chinese Patent Office; Office Action dated Dec. 4, 2015 in Application No. 201210201995.9.
- Chinese Patent Office; Office Action dated Jul. 14, 2016 in Application No. 201210201995.9.
- Chinese Patent Office; Office Action dated Jan. 20, 2017 in Application No. 201210201995.9.
- Chinese Patent Office; Office Action dated Dec. 24, 2015 in Application No. 201280057466.4.
- Chinese Patent Office; Office Action dated Dec. 4, 2015 in Application No. 201280057542.1.
- Chinese Patent Office; Office Action dated May 16, 2016 in Application No. 201280057542.1.
- Chinese Patent Office; Office Action dated Sep. 9, 2016 in Application No. 201280057542.1.
- Chinese Patent Office; Office Action dated Dec. 5, 2016 in Application No. 201310412808.6.
- Chinese Patent Office; Office Action dated Feb. 5, 2018 in Application No. 201410331047.6.
- European Patent Office; Supplementary European Search Report and Opinion dated Nov. 9, 2012 in Application No. 08798519.8.
- European Patent Office; Office Action dated Jul. 18, 2016 in Application No. 08798519.8.
- European Patent Office; Extended European Search Report dated Dec. 9, 2016 in Application No. 9767208.3.
- European Patent Office; Supplementary European Search Report and Opinion dated Jan. 5, 2017 in Application No. 09836647.9.
- European Patent Office; Office Action dated Feb. 28, 2018 in Application No. 09836647.9.
- Japanese Patent Office; Office Action dated Dec. 20, 2011 in Application No. 2010-522075.
- Japanese Patent Office; Office Action dated Apr. 11, 2012 in Application No. 2010-522075.
- Japanese Patent Office; Office Action dated May 31, 2012 in Application No. 2011-514650.
- Japanese Patent Office; Office Action dated Sep. 11, 2012 in Application No. 2011-514650.
- Japanese Patent Office; Office Action dated Dec. 25, 2013 in Application No. 2012-504786.
- Japanese Patent Office; Office Action dated Mar. 11, 2013 in Application No. 2012-509857.
- Korean Patent Office; Final Office Action dated Jun. 29, 2016 in Application No. 10-2010-0028336.
- Korean Patent Office; Office Action dated Mar. 3, 2016 in Application No. 10-2010-0067768.
- Korean Patent Office; Office Action dated Aug. 1, 2016 in Application No. 10-2010-0067768.
- Korean Patent Office; Office Action dated May 2, 2016 in Application No. 10-2010-0082446.
- Korean Patent Office; Office Action dated Sep. 19, 2016 in Application No. 10-2010-0082446.
- Korean Patent Office; Office Action dated Nov. 24, 2017 in Application No. 10-20110036449.
- Korean Patent Office; Office Action dated May 23, 2017 in Application No. 10-20110036449.
- Korean Patent Office; Office Action dated Sep. 4, 2017 in Application No. 10-2011-0087600.
- Korean Patent Office; Office Action dated Oct. 23, 2017 in Application No. 10-2011-0142924.
- Korean Patent Office; Office Action dated Dec. 11, 2015 in Application No. 10-20117023416.
- Korean Patent Office; Office Action dated Mar. 13, 2016 in Application No. 10-20117023416.
- Korean Patent Office; Office Action dated Oct. 30, 2017 in Application No. 10-2012-0041878.
- Korean Patent Office; Office Action dated Mar. 21, 2018 in Application No. 20120042518.
- Korean Patent Office; Office Action dated Mar. 21, 2018 in Application No. 10-2012-0064526.
- Korean Patent Office; Office Action dated Mar. 30, 2018 in Application No. 10-2012-0076564.

(56)

References Cited

OTHER PUBLICATIONS

- Korean Patent Office; Office Action dated Apr. 30, 2018 in Application No. 10-2012-0103114.
- Korean Patent Office; Office Action dated Oct. 24, 2016 in Application No. 10-20127004062.
- Korean Patent Office; Office Action dated Jul. 24, 2017 in Application No. 10-20127004062.
- Korean Patent Office; Office Action dated Sep. 28, 2017 in Application No. 10-20147017112.
- Korean Patent Office; Office Action dated Nov. 9, 2016 in Application No. 10-20167023913.
- Korean Patent Office; Office Action dated Sep. 15, 2017 in Application No. 30-2017-0001320.
- Korean Patent Office; Office Action dated Jul. 11, 2018 in Application No. 30-2018-006016.
- Taiwanese Patent Office; Office Action dated Aug. 30, 2013 in Application No. 97132391.
- Taiwanese Patent Office; Office Action dated Dec. 20, 2013 in Application No. 98117513.
- Taiwanese Patent Office; Office Action dated Aug. 27, 2014 in Application No. 99114329.
- Taiwanese Patent Office; Office Action dated Dec. 26, 2014 in Application No. 99114330.
- Taiwanese Patent Office; Office Action dated Aug. 14, 2014 in Application No. 99114331.
- Taiwanese Patent Office; Office Action received in Application No. 100113130.
- Taiwanese Patent Office; Office Action dated Aug. 1, 2016 in Application No. 101124745.
- Taiwanese Patent Office; Office Action received in Application No. 102113028.
- Taiwanese Patent Office; Office Action received in Application No. 102115605.
- Taiwanese Patent Office; Office Action dated Feb. 24, 2017 in Application No. 102115605.
- Taiwanese Patent Office; Office Action received in Application No. 102125191.
- Taiwanese Patent Office; Office Action dated Dec. 6, 2016 in Application No. 102126071.
- Taiwanese Patent Office; Office Action dated May 17, 2018 in Application No. 102126071.
- Taiwanese Patent Office; Office Action dated Feb. 10, 2017 in Application No. 102127065.
- Taiwanese Patent Office; Office Action dated Mar. 11, 2016 in Application No. 102129262.
- Taiwanese Patent Office; Office Action dated Dec. 29, 2016 in Application No. 102129397.
- Taiwanese Patent Office; Office Action dated Nov. 4, 2016 in Application No. 102131839.
- Taiwanese Patent Office; Office Action dated Dec. 2, 2016 in Application No. 102136496.
- Taiwanese Patent Office; Office Action dated Jan. 10, 2018 in Application No. 102136496.
- Taiwanese Patent Office; Office Action dated Nov. 11, 2016 in Application No. 102132952.
- Taiwanese Patent Office; Office Action dated Jul. 17, 2017 in Application No. 103101400.
- Taiwanese Patent Office; Office Action dated Feb. 23, 2017 in Application No. 103102563.
- Taiwanese Patent Office; Office Action dated Mar. 3, 2017 in Application No. 103105251.
- Taiwanese Patent Office; Office Action received in Application No. 103106021.
- Taiwanese Patent Office; Office Action dated Oct. 31, 2017 in Application No. 103106022.
- Taiwanese Patent Office; Office Action dated Jul. 5, 2017 in Application No. 103117477.
- Taiwanese Patent Office; Office Action dated Nov. 22, 2017 in Application No. 103117478.
- Taiwanese Patent Office; Office Action dated May 19, 2017 in Application No. 103120478.
- Taiwanese Patent Office; Office Action dated Nov. 8, 2017 in Application No. 103124509.
- Taiwanese Patent Office; Office Action dated Nov. 20, 2017 in Application No. 103127588.
- Taiwanese Patent Office; Office Action dated Sep. 19, 2017 in Application No. 103127734.
- Taiwanese Patent Office; Office Action dated Nov. 22, 2017 in Application No. 103134537.
- Taiwanese Patent Office; Office Action dated Aug. 24, 2017 in Application No. 103136251.
- Taiwanese Patent Office; Office Action dated Feb. 26, 2018 in Application No. 103138510.
- Taiwanese Patent Office; Office Action dated May 21, 2018 in Application No. 103139014.
- Taiwanese Patent Office; Office Action dated Jun. 22, 2018 in Application No. 104105533.
- Taiwanese Patent Office; Office Action dated Jun. 13, 2018 in Application No. 104111910.
- Taiwanese Patent Office; Office Action received in Application No. 106117181.
- Choi et al., "Improvement of Silicon Direct Bonding using Surfaces Activated by Hydrogen Plasma Treatment," *Journal of the Korean Physical Society*, 37, 6, 878-881 (2000).
- Choi et al., "Low temperature Formation of Silicon Oxide Thin Films by Atomic Layer Deposition Using NH₃/O₂ Plasma," *ECS Solid State Letters*, 2(12) p. 114-p. 116 (2013).
- Elam et al., "New Insights into Sequential Infiltration Synthesis", *ECS Transactions*, vol. 69, pp. 147-157 (2015).
- Guan et al., "Voltage gated ion and molecule transport in engineered nanochannels: theory, fabrication and applications," *Nanotechnology* 25 (2014) 122001.
- Henke et al., "X-Ray Interactions: Photo absorption, Scattering, Transmission, and Reflection at E=50-30,000 eV, Z=1-92," *Atomic Data and Nuclear Data Tables*, 54, 181-342 (1993).
- Hudis, "Surface Crosslinking of Polyethylene Using a Hydrogen Glow Discharge," *J. Appl. Polym. Sci.*, 16 (1972) 2397.
- Klug et al., "Atomic Layer Deposition of Amorphous Niobium Carbide-Based Thin Film Superconductors," *The Journal of Physical Chemistry C*, vol. 115, pp. 25063-25071, (2011).
- Longrie et al., "Plasma-Enhanced ALD of Platinum with O₂, N₂ and NH₃ Plasmas", *ECS Journal of Solid State Science and Technology*, vol. 1, pp. Q123-Q129 (2012).
- Maydannik et al., "Spatial atomic layer deposition: Performance of low temperature H₂O and O₃ oxidant chemistry for flexible electronics encapsulation", *Journal of Vacuum Science and Technology: Part A AVS/ AIP*, vol. 33, (1901).
- Mix et al., "Characterization of plasma-polymerized allyl alcohol polymers and copolymers with styrene," *Adhes. Sci. Technol.*, 21 (2007), S. 487-507.
- Potts et al., "Room-Temperature ALD of Metal Oxide Thin Films by Energy-Enhanced ALD", *Chemical Vapor Deposition*, vol. 19, pp. 125-133 (2013).
- Selvaraj et al., "Surface Selective Atomic Layer Deposition of Hafnium Oxide for Copper Diffusion Barrier Application Using Tetrakis (diethylamino) Hafnium and Ethanol," 225th ECS Meeting, Meeting Abstract, (May 12, 2014).
- Voltaix, "Material Safety Data Sheet for: Trisilylamine", pp. 1-8, (2014).
- CNIPA; Notice of Allowance dated Oct. 24, 2014 in Application No. 201080036764.6.
- CNIPA; Notice of Allowance dated Jun. 14, 2019 in Application No. 201410331047.6.
- CNIPA; Office Action dated Jun. 28, 2019 in Application No. 201510765170.3.
- CNIPA; Office Action dated Oct. 31, 2018 in Application No. 201510765406.3.
- JPO; Notice of Allowance dated Jun. 24, 2010 in Application No. 2003029767.
- JPO; Notice of Allowance dated Dec. 18, 2014 in Application No. 2010058415.

(56)

References Cited

OTHER PUBLICATIONS

JPO; Office Action dated Aug. 26, 2015 in Application No. 2011-284831.
 JPO; Notice of Allowance dated Dec. 19, 2018 in Application No. 2014205548.
 JPO; Office Action dated Jan. 30, 2019 in Application No. 2015052198.
 JPO; Office Action dated Aug. 29, 2019 in Application No. 2016001928.
 KIPO; Notice of Allowance dated Jan. 11, 2018 in Application No. 10-2011-0087600.
 KIPO; Office Action dated Jan. 30, 2019 in Application No. 30-2018-0033442.
 TIPO; Notice of Allowance dated Jan. 28, 2015 in Application No. 99114329.
 TIPO; Office Action dated Jun. 20, 2017 in Application No. 102125191.
 TIPO; Notice of Allowance dated Jan. 26, 2017 in Application No. 102131839.
 TIPO; Notice of Allowance dated Jan. 24, 2018 in Application No. 103101400.
 TIPO; Notice of Allowance dated Oct. 20, 2017 in Application No. 103105251.
 TIPO; Notice of Allowance dated Jan. 22, 2018 in Application No. 103117477.
 TIPO; Notice of Allowance dated Mar. 13, 2018 in Application No. 103117478.
 TIPO; Notice of Allowance dated Jan. 29, 2019 in Application No. 103132230.
 TIPO; Office Action dated Nov. 19, 2018 in Application No. 104105965.
 TIPO; Notice of Allowance dated Sep. 18, 2018 in Application No. 104111910.
 TIPO; Office Action dated Jan. 30, 2019 in Application No. 104122890.
 TIPO; Notice of Allowance dated Jun. 19, 2019 in Application No. 104124377.
 TIPO; Office Action dated Jan. 7, 2019 in Application No. 104132991.
 TIPO; Office Action dated Apr. 25, 2019 in Application No. 105101536.
 TIPO; Office Action dated Jan. 7, 2019 in Application No. 106138800.
 TIPO; Office Action dated Aug. 27, 2019 in Application No. 107116804.
 TIPO; Office Action dated Nov. 20, 2018 in Application No. 107118271.

TIPO; Office Action dated Jun. 4, 2019 in Application No. 107123992.
 TIPO; Office Action dated May 28, 2019 in Application No. 107125586.
 TIPO; Office Action dated Jun. 28, 2019 in Application No. 108102948.
 USPTO; Advisory Action dated Jul. 13, 2011 in U.S. Appl. No. 12/553,759.
 USPTO; Notice of Allowance dated Apr. 4, 2019 in U.S. Appl. No. 13/169,951.
 USPTO; Non-Final Office Action dated Jul. 15, 2019 in U.S. Appl. No. 14/219,839.
 USPTO; Non-Final Office Action dated Jun. 24, 2019 in U.S. Appl. No. 14/219,879.
 USPTO; Notice of Allowance dated Sep. 14, 2018 in U.S. Appl. No. 15/135,333.
 USPTO; Non-Final Office Action dated Nov. 21, 2016 in U.S. Appl. No. 15/144,481.
 USPTO; Notice of Allowance dated Aug. 30, 2018 in U.S. Appl. No. 15/222,749.
 USPTO; Non-Final Office Action dated Sep. 21, 2018 in U.S. Appl. No. 15/659,631.
 Kerrigan et al. "Low Temperature, Selective Atomic Layer Deposition of Cobalt Metal Films Using Bis(1,4-di-tert-butyl-1,3-diazadienyl)cobalt and Alkylamine Precursors," *Chem. Materials*, 29, pp. 7458-7466 (2017).
 Lim et al. "Synthesis and Characterization of Volatile, Thermally Stable, Reactive Transition Metal Amidinates," *Inorg. Chem.*, 42, pp. 7951-7958 (2003).
 Sellers, Making Your Own Timber Dogs, Paul Sellers blog, Published on Nov. 18, 2014, [online], [site visited Jun. 10, 2017]. Available from Internet, <URL: <https://paulsellers.com/2014/11/making-your-own-timber-dogs/>>.
 Tidman et al. "Resistivity of thin TaS₂ crystals," *Can. J. Phys.*, vol. 54, 2306-2309 (1976).
 Vasilev, "Borophosphosilicate Glass Films in Silicon Microelectronics, Part 1: Chemical Vapor Deposition, Composition, and Properties" *Russian Microelectronics*, vol. 33, No. 5, pp. 271-284 (2004).
 JPO; Office Action dated Aug. 6, 2009 in Application No. 2003029767.
 JPO; Office Action dated Apr. 9, 2010 in Application No. 2003029767.
 JPO; Office Action dated Oct. 28, 2008 in Application No. 2004558313.
 JPO; Office Action dated Feb. 17, 2009 in Application No. 2004558313.
 JPO; Notice of Allowance dated Jun. 9, 2015 in Application No. 2012-504786.

* cited by examiner

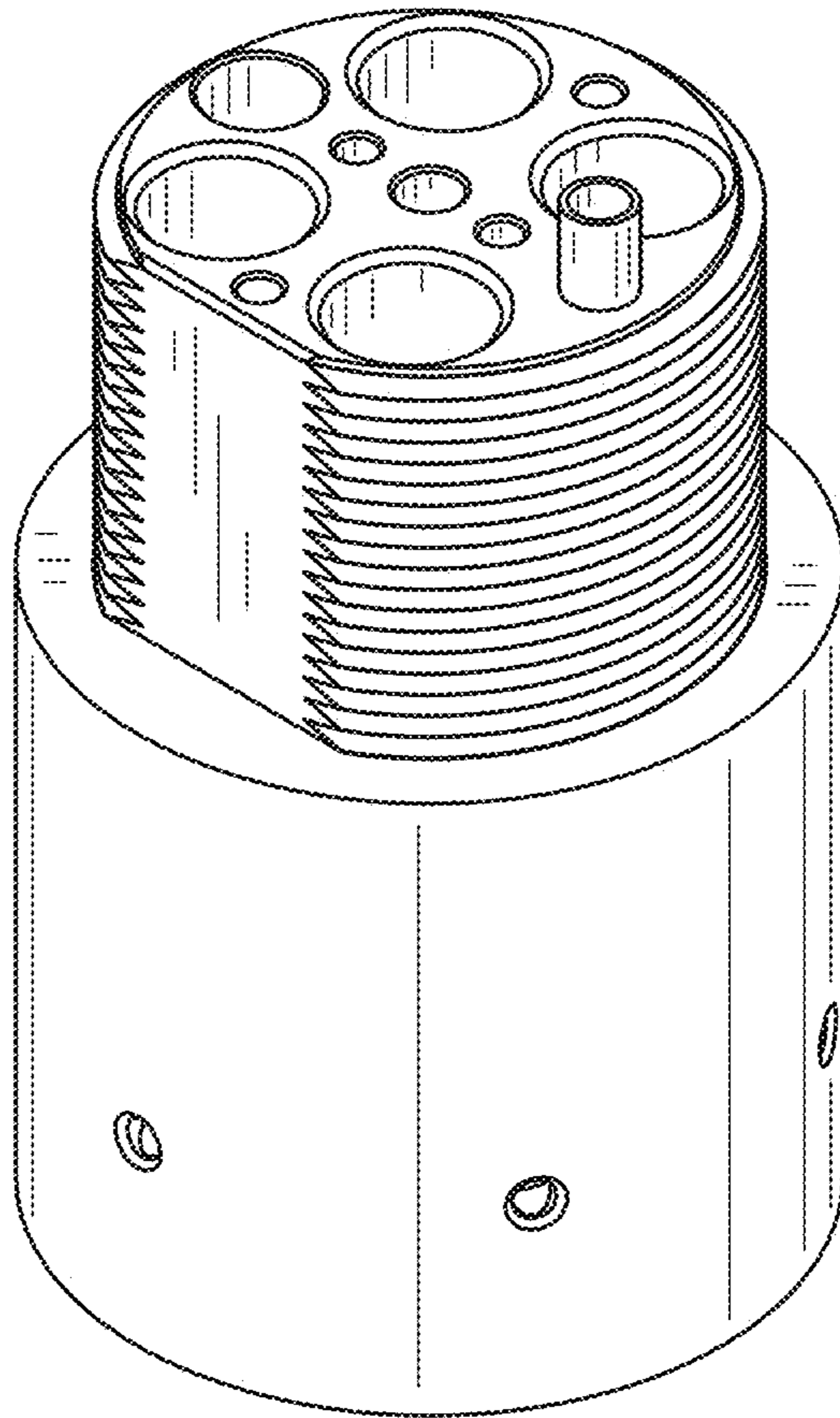


FIG.1

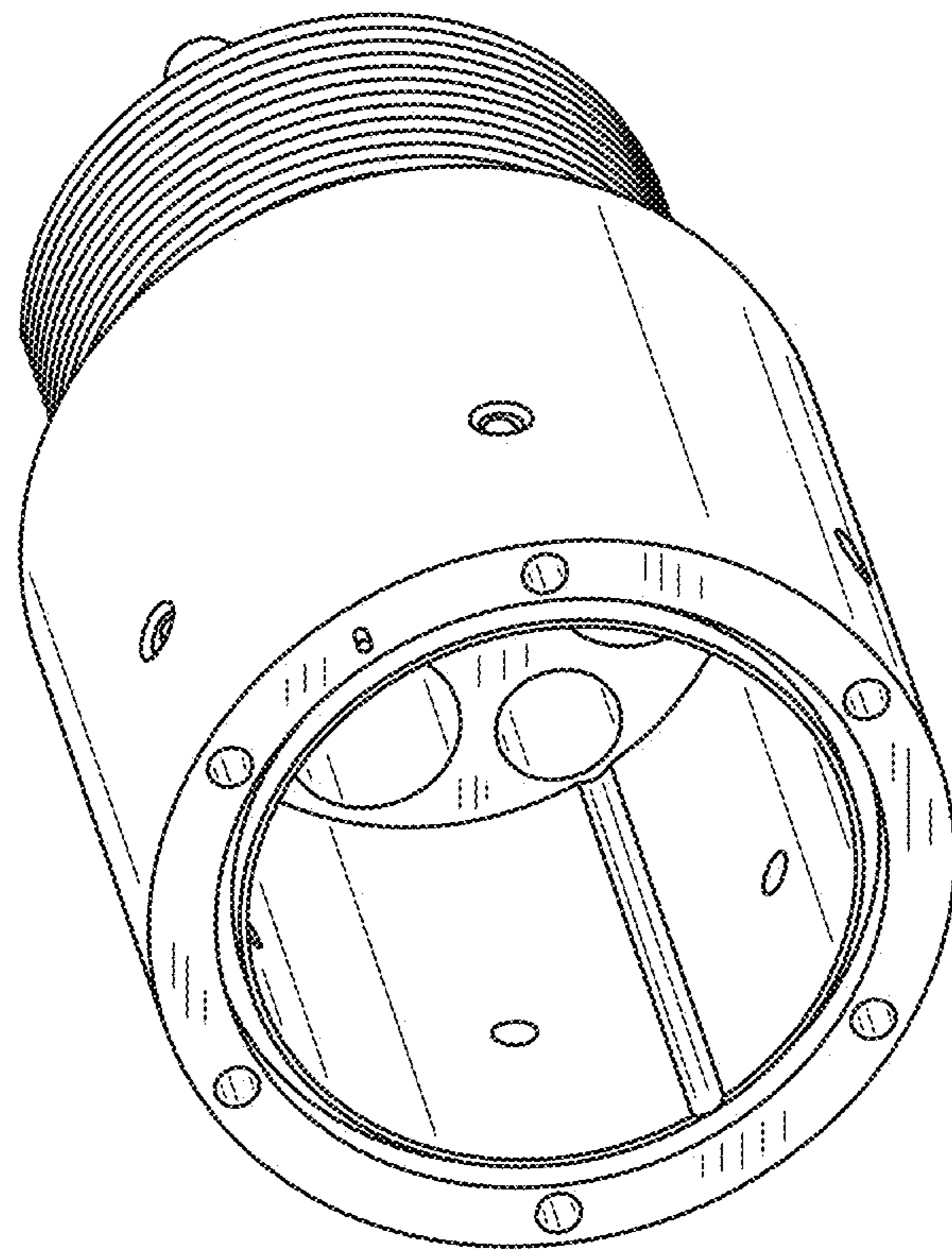


FIG.2

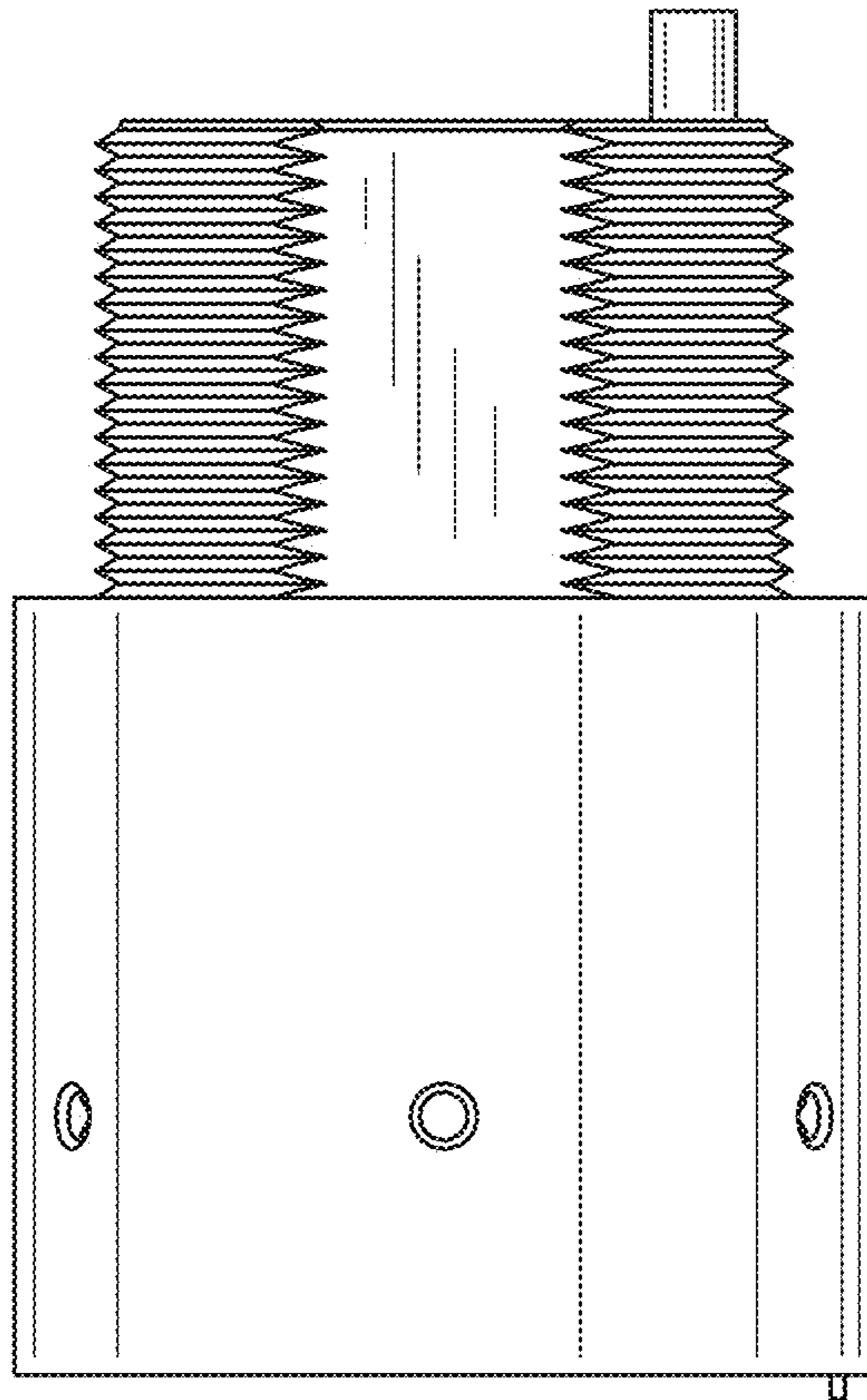


FIG.3

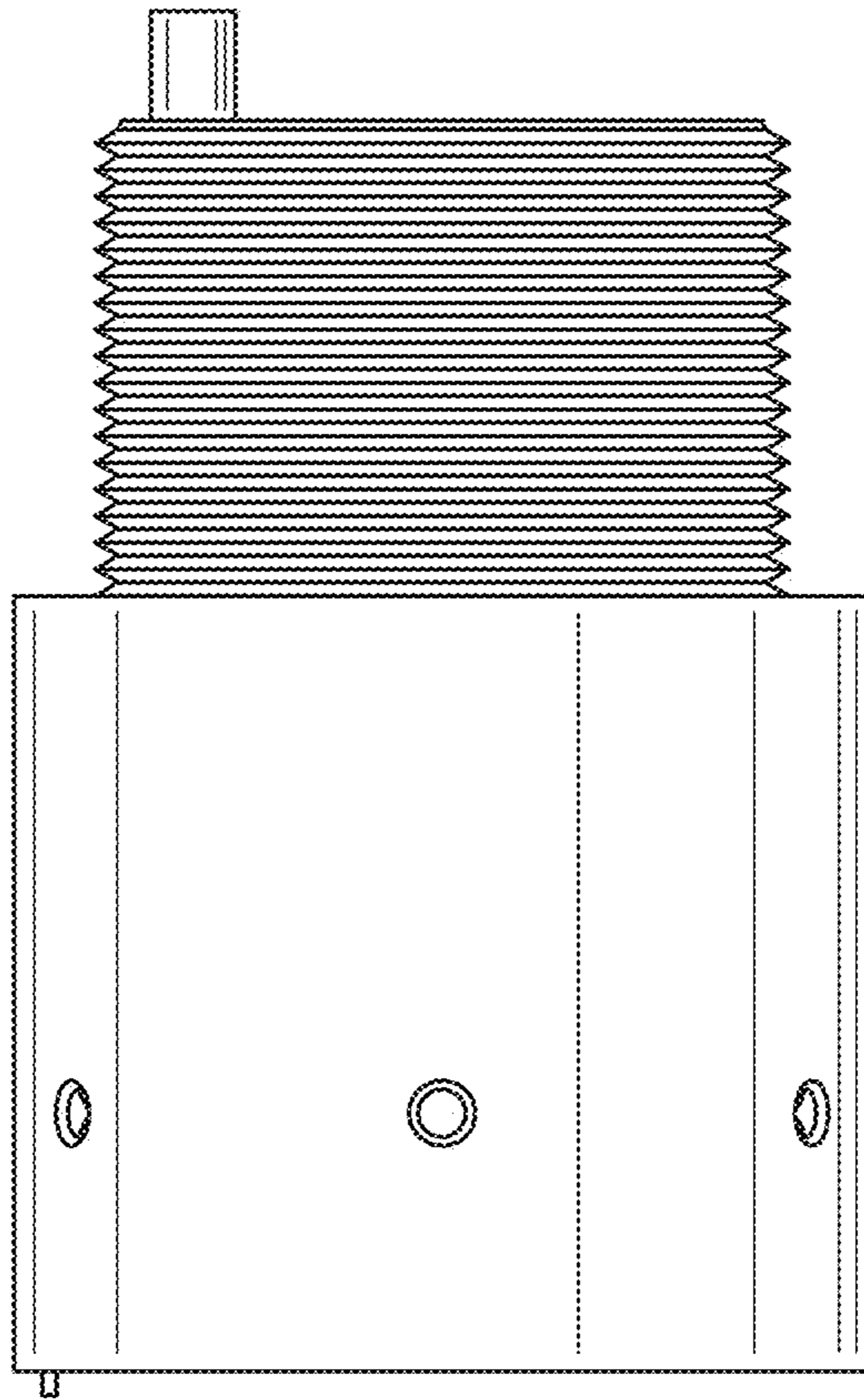


FIG.4

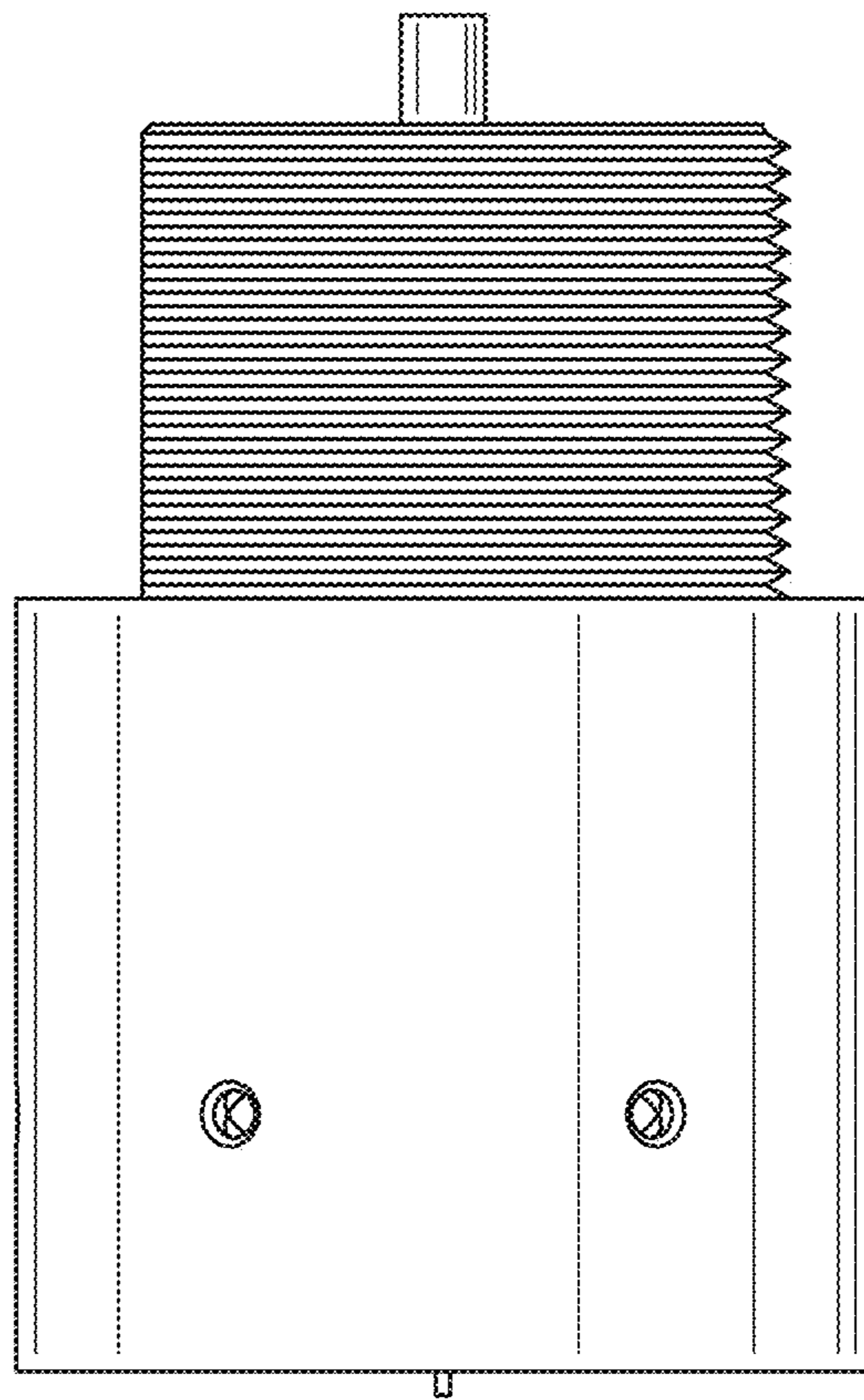


FIG.5

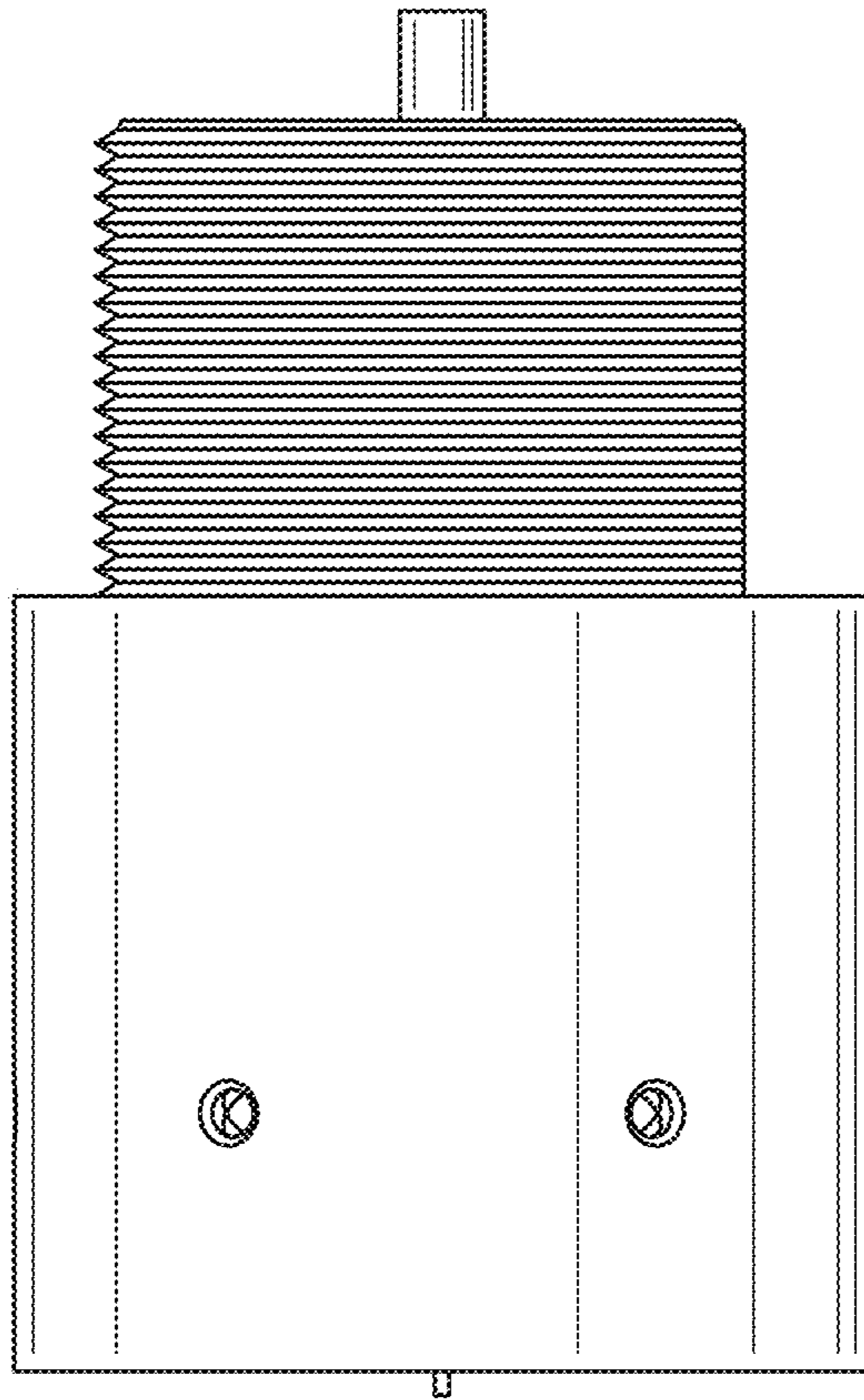


FIG.6

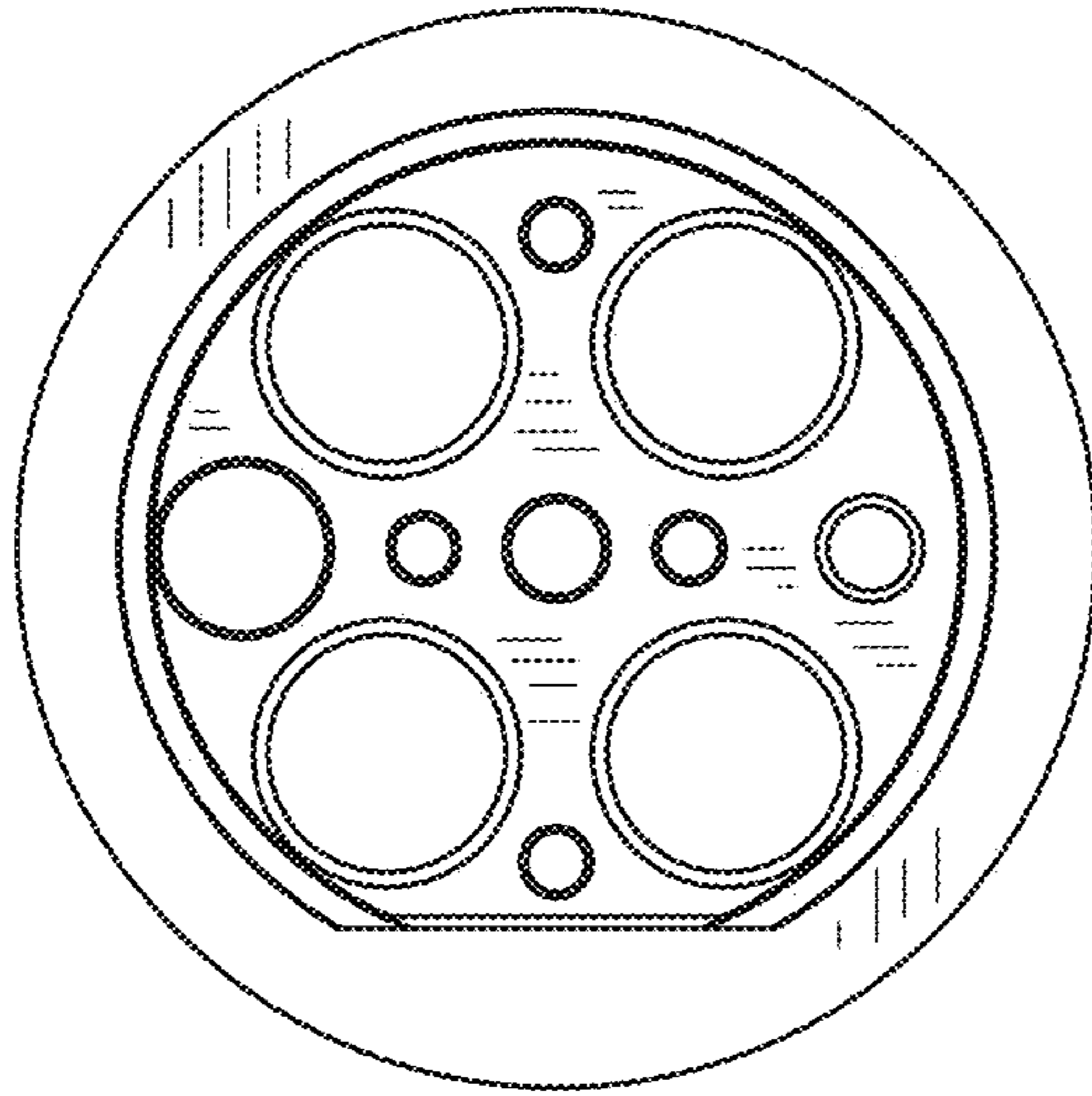


FIG. 7

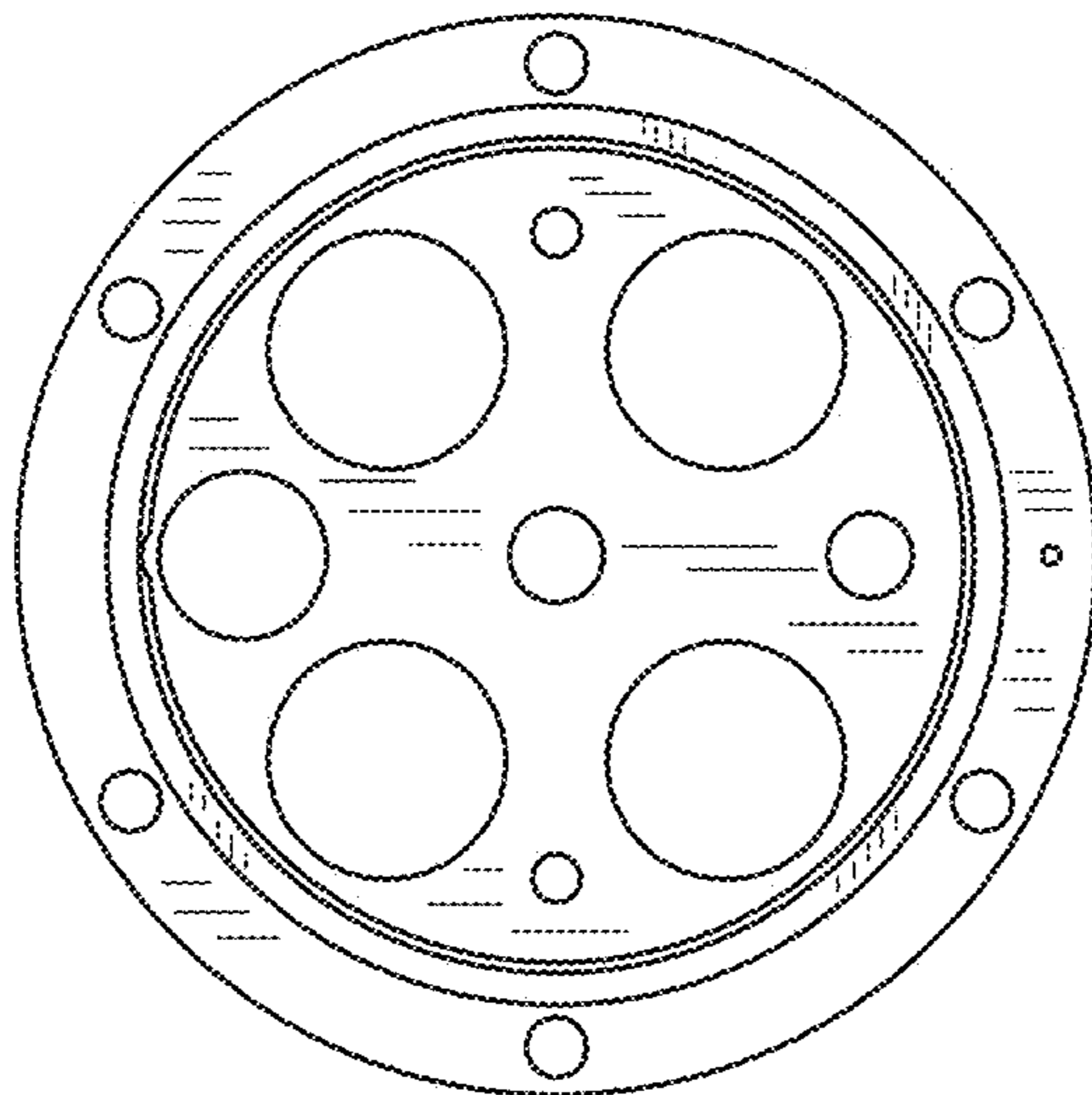


FIG. 8