



US00D900035S

(12) **United States Design Patent**  
**Byrne et al.**

(10) **Patent No.:** **US D900,035 S**  
(45) **Date of Patent:** **\*\* Oct. 27, 2020**

(54) **ELECTRICAL POWER GROMMET FOR A WORKSURFACE**

**DESCRIPTION**

(71) Applicants: **Norman R. Byrne**, Ada, MI (US);  
**Timothy J. Warwick**, Sparta, MI (US);  
**Jorge Angulo Givaudan**, Las Anguilas (MX);  
**Ryan J. Alt**, Byron Center, MI (US)

(72) Inventors: **Norman R. Byrne**, Ada, MI (US);  
**Timothy J. Warwick**, Sparta, MI (US);  
**Jorge Angulo Givaudan**, Las Anguilas (MX);  
**Ryan J. Alt**, Byron Center, MI (US)

(\*\*) Term: **15 Years**

(21) Appl. No.: **29/650,793**

(22) Filed: **Jun. 8, 2018**

(51) **LOC (12) Cl.** ..... **13-03**

(52) **U.S. Cl.**  
USPC ..... **D13/139.4**

(58) **Field of Classification Search**  
USPC ..... D13/107, 108, 110, 123, 133,  
D13/137.1–137.4, 138.1–138.2,  
(Continued)

(56) **References Cited**

**U.S. PATENT DOCUMENTS**

D78,966 S 7/1929 Conner  
4,453,059 A 6/1984 Fukushima  
(Continued)

*Primary Examiner* — Rosemary K Tarca

*Assistant Examiner* — Christy M Nemeth

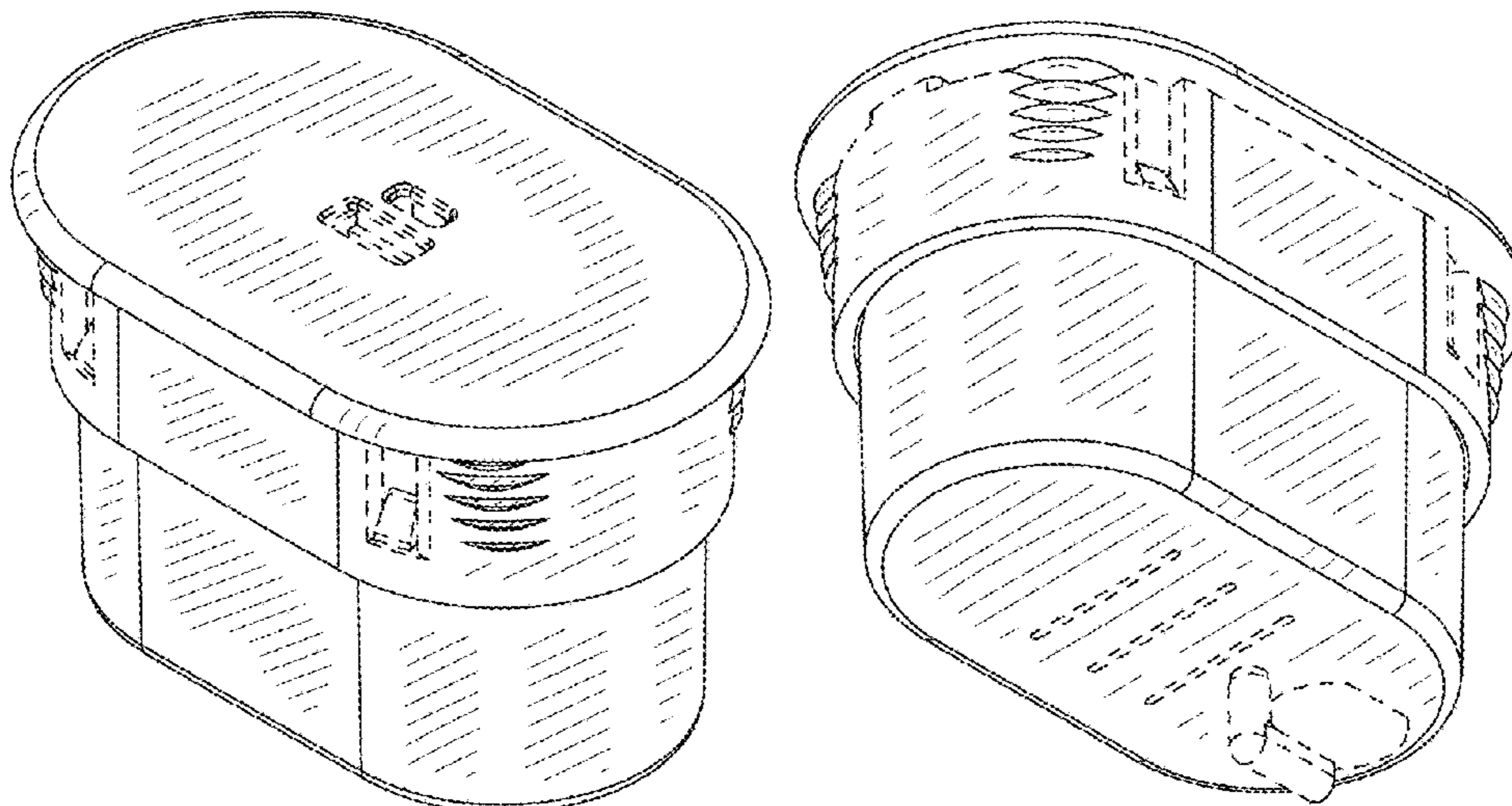
(74) *Attorney, Agent, or Firm* — Gardner, Linn, Burkhardt & Ondersma LLP

(57) **CLAIM**

The ornamental design for an electrical power grommet for a worksurface, as shown and described.

FIG. 1 is a top perspective view of a first embodiment of an electrical power grommet for a worksurface of our new design;  
FIG. 2 is another top perspective view thereof;  
FIG. 3 is a bottom perspective view thereof;  
FIG. 4 is another bottom perspective view thereof;  
FIG. 5 is a front elevation thereof;  
FIG. 6 is a rear elevation thereof;  
FIG. 7 is a right side elevation thereof;  
FIG. 8 is a left side elevation thereof;  
FIG. 9 is a top plan view thereof;  
FIG. 10 is a bottom plan view thereof;  
FIG. 11 is a top perspective view of a second embodiment of an electrical power grommet for a worksurface of our new design;  
FIG. 12 is another top perspective view thereof;  
FIG. 13 is a bottom perspective view thereof;  
FIG. 14 is another bottom perspective view thereof;  
FIG. 15 is a front elevation thereof;  
FIG. 16 is a rear elevation thereof;  
FIG. 17 is a right side elevation thereof;  
FIG. 18 is a left side elevation thereof;  
FIG. 19 is a top plan view thereof;  
FIG. 20 is a bottom plan view thereof;  
FIG. 21 is a top perspective view of a third embodiment of an electrical power grommet for a worksurface of our new design;  
FIG. 22 is another top perspective view thereof;  
FIG. 23 is a bottom perspective view thereof;  
FIG. 24 is another bottom perspective view thereof;  
FIG. 25 is a front elevation thereof;  
FIG. 26 is a rear elevation thereof;  
FIG. 27 is a right side elevation thereof;  
FIG. 28 is a left side elevation thereof;  
FIG. 29 is a top plan view thereof; and,  
FIG. 30 is a bottom plan view thereof.  
The broken lines in the drawings are for the purpose of illustrating portions of the electrical power grommet for a worksurface that form no part of the claimed design.

**1 Claim, 12 Drawing Sheets**



(58) **Field of Classification Search**  
 USPC ..... D13/139.1-139.8, 151-156, 173, 177,  
                   D13/184; D14/432, 433, 435.1  
 CPC ..... H01R 11/00; H01R 9/00; H01R 13/00;  
                   H01R 13/04; H01R 13/10; H01R  
                   13/6666; H01R 13/6675; H01R 13/5845;  
                   H01R 13/72; H01R 13/46; H01R 25/00;  
                   H01R 25/006; H01R 31/06; H01R 24/28;  
                   H01H 2207/00; H01H 2207/022; H01B  
   7/2806  
 See application file for complete search history.

6,307,152 B1 10/2001 Bonilla et al.  
 6,492,591 B1 12/2002 Metcalf  
 6,923,684 B2 8/2005 Strayer  
 D514,518 S 2/2006 Strayer  
 7,053,296 B2 5/2006 Drane et al.  
 D534,495 S 1/2007 Gershfeld  
 D537,039 S 2/2007 Pincek  
 D553,306 S 10/2007 Hansen  
 7,605,330 B1 \* 10/2009 Black ..... H02G 3/185  
   174/53  
 7,806,723 B2 10/2010 Chong et al.  
 8,021,185 B1 \* 9/2011 Mortun ..... H01R 13/6666  
   439/535

(56) **References Cited**  
 U.S. PATENT DOCUMENTS

D325,723 S 4/1992 Gary et al.  
 D362,841 S \* 10/1995 Roza ..... D13/171  
 D389,459 S 1/1998 Byrne  
 5,705,772 A 1/1998 Brown  
 D405,416 S 2/1999 Byrne  
 5,888,093 A 3/1999 Polgar et al.  
 D409,980 S 5/1999 Byrne  
 D418,815 S 1/2000 Byrne  
 6,024,599 A 2/2000 Stathis et al.  
 6,081,356 A 6/2000 Branc et al.  
 6,234,812 B1 \* 5/2001 Ivers ..... A47B 21/06  
   362/127  
 6,296,522 B1 \* 10/2001 Ho ..... H01R 25/003  
   439/640

D647,853 S 11/2011 Kan  
 D653,215 S 1/2012 Lam  
 D682,212 S 5/2013 Udagawa et al.  
 D714,726 S 10/2014 Byrne et al.  
 D720,305 S \* 12/2014 Wenji ..... D13/174  
 9,124,056 B1 \* 9/2015 Lewis, Jr. .... H01R 39/64  
 9,219,341 B1 \* 12/2015 O'Keefe ..... H01R 31/02  
 9,559,472 B2 \* 1/2017 Chien ..... H02G 11/02  
 D788,046 S \* 5/2017 Oksengendler ..... D13/162  
 D794,578 S \* 8/2017 Oksengendler ..... D13/162  
 D812,024 S \* 3/2018 Lewis ..... D13/184  
 D826,873 S \* 8/2018 Shim ..... D13/184  
 2006/0258195 A1 11/2006 Schwartz et al.  
 2007/0275594 A1 11/2007 Greenberg  
 2013/0210252 A1 \* 8/2013 Ilyes ..... G08C 19/00  
   439/226

\* cited by examiner



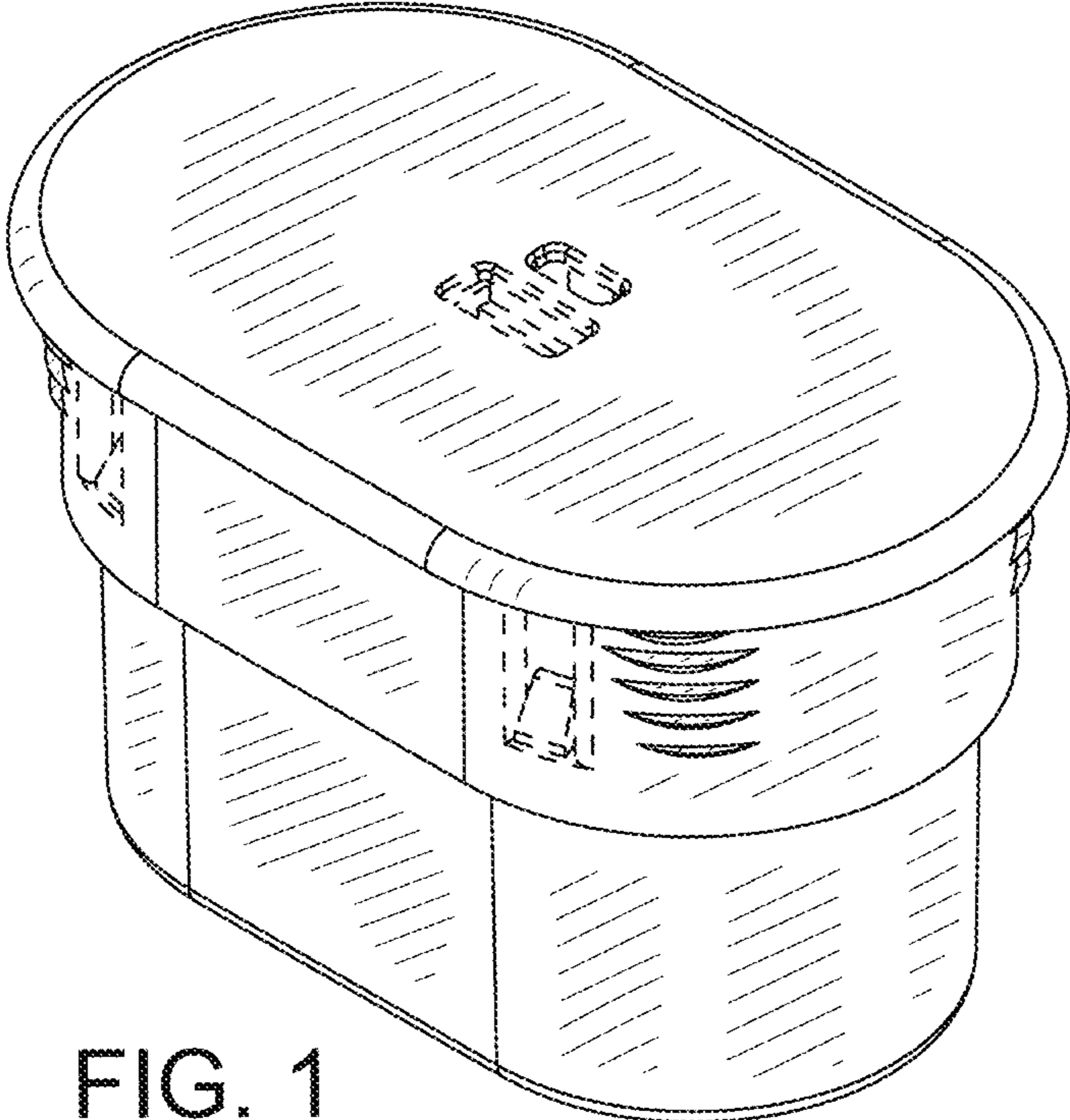


FIG. 1

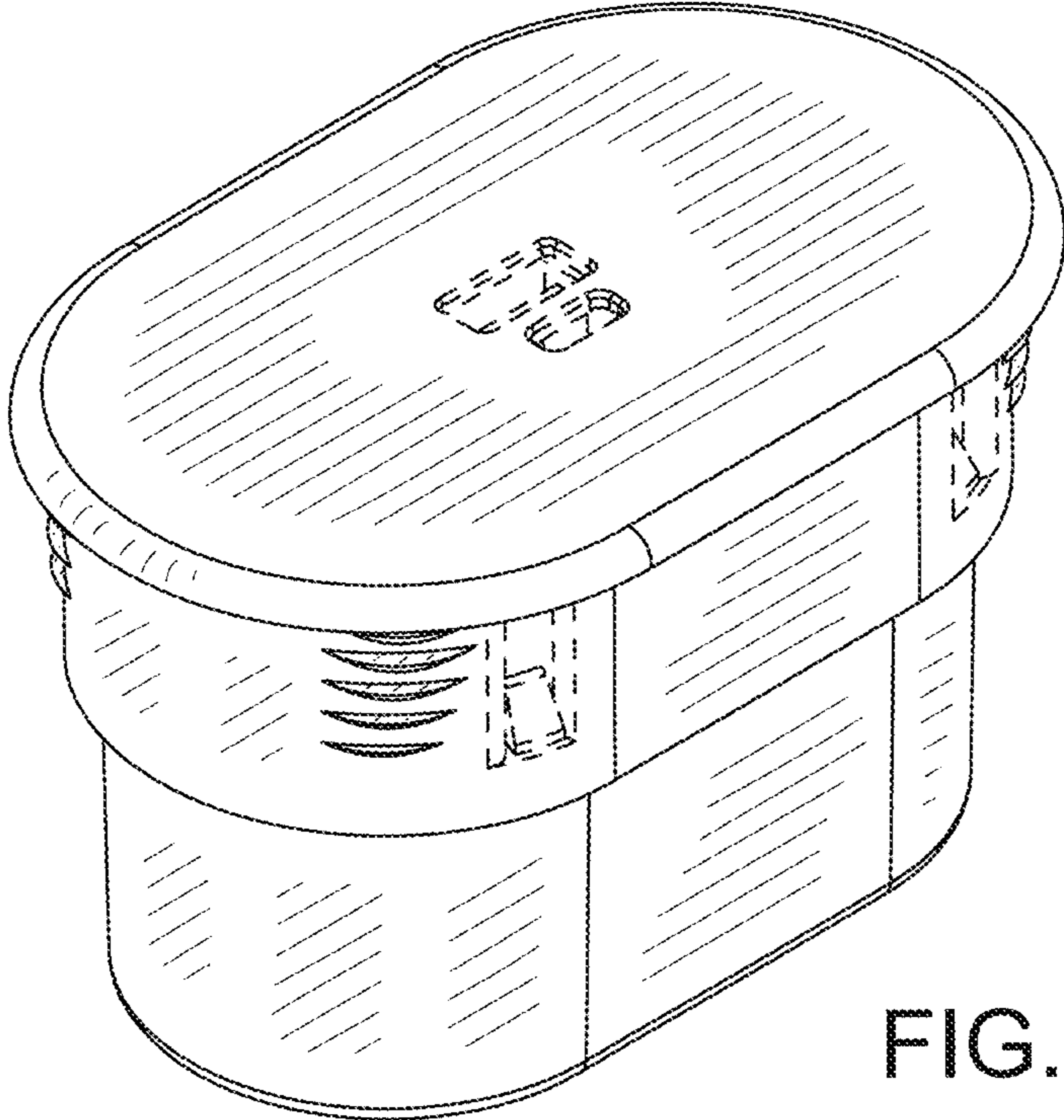


FIG. 2

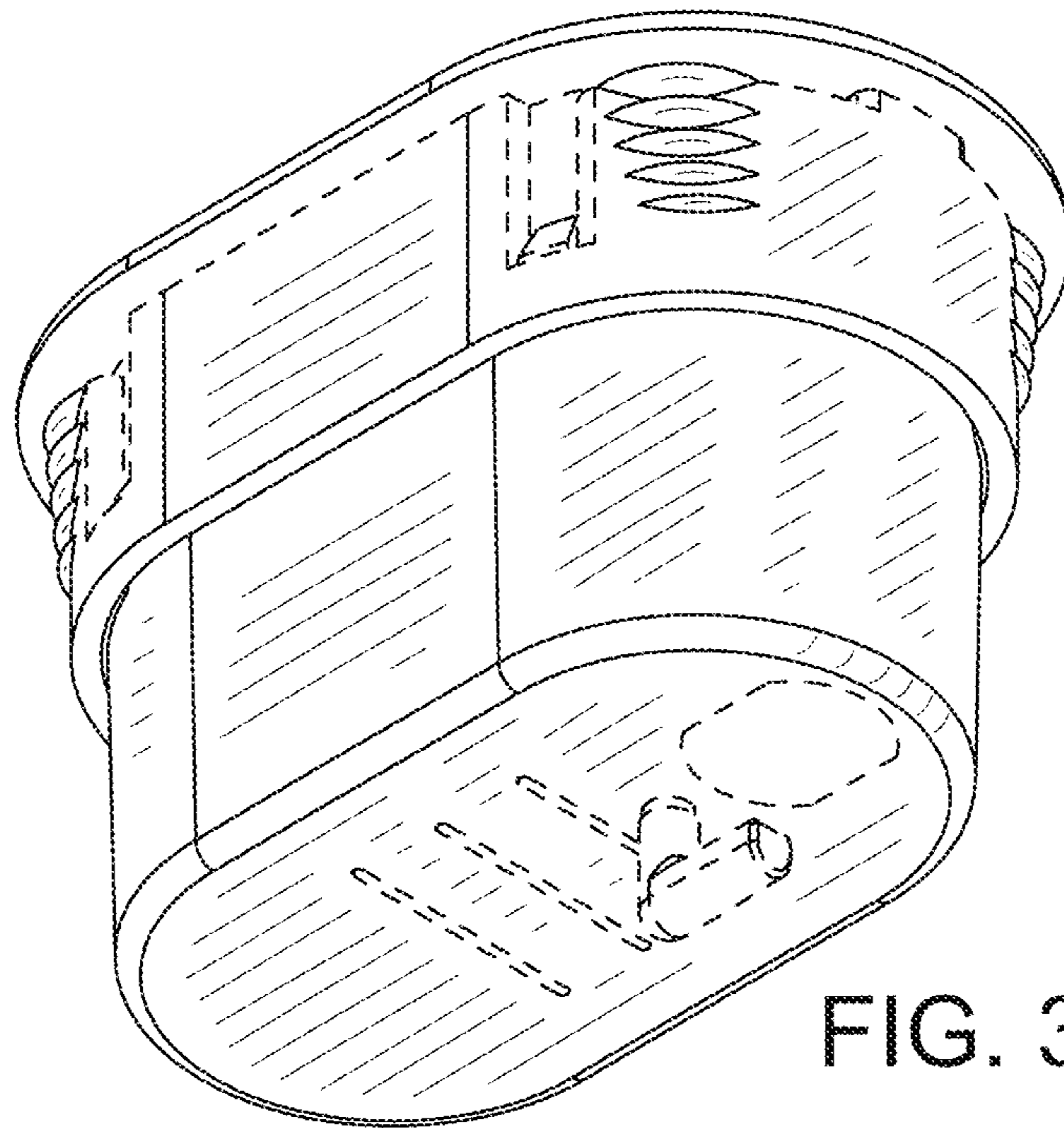


FIG. 3

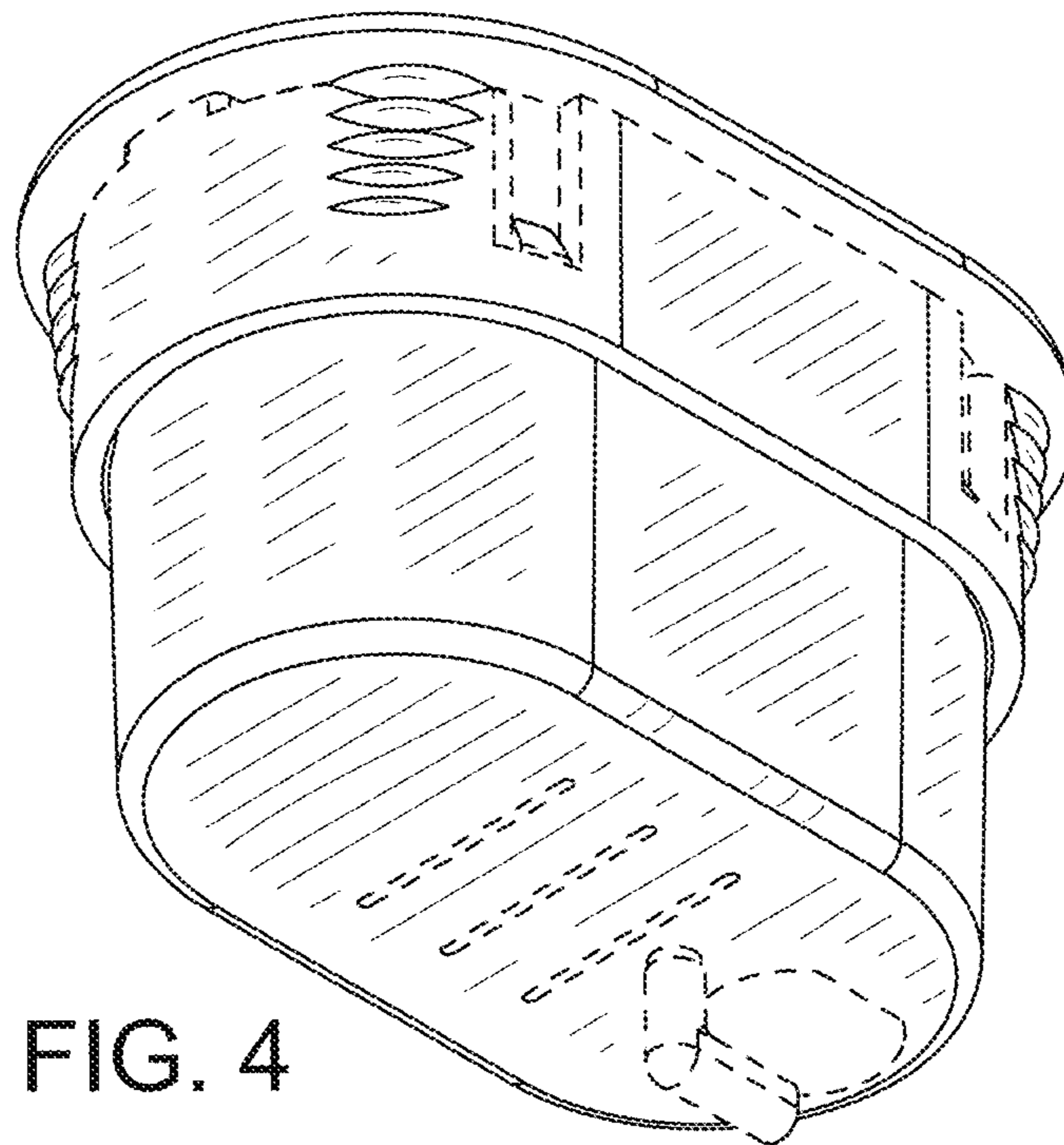


FIG. 4

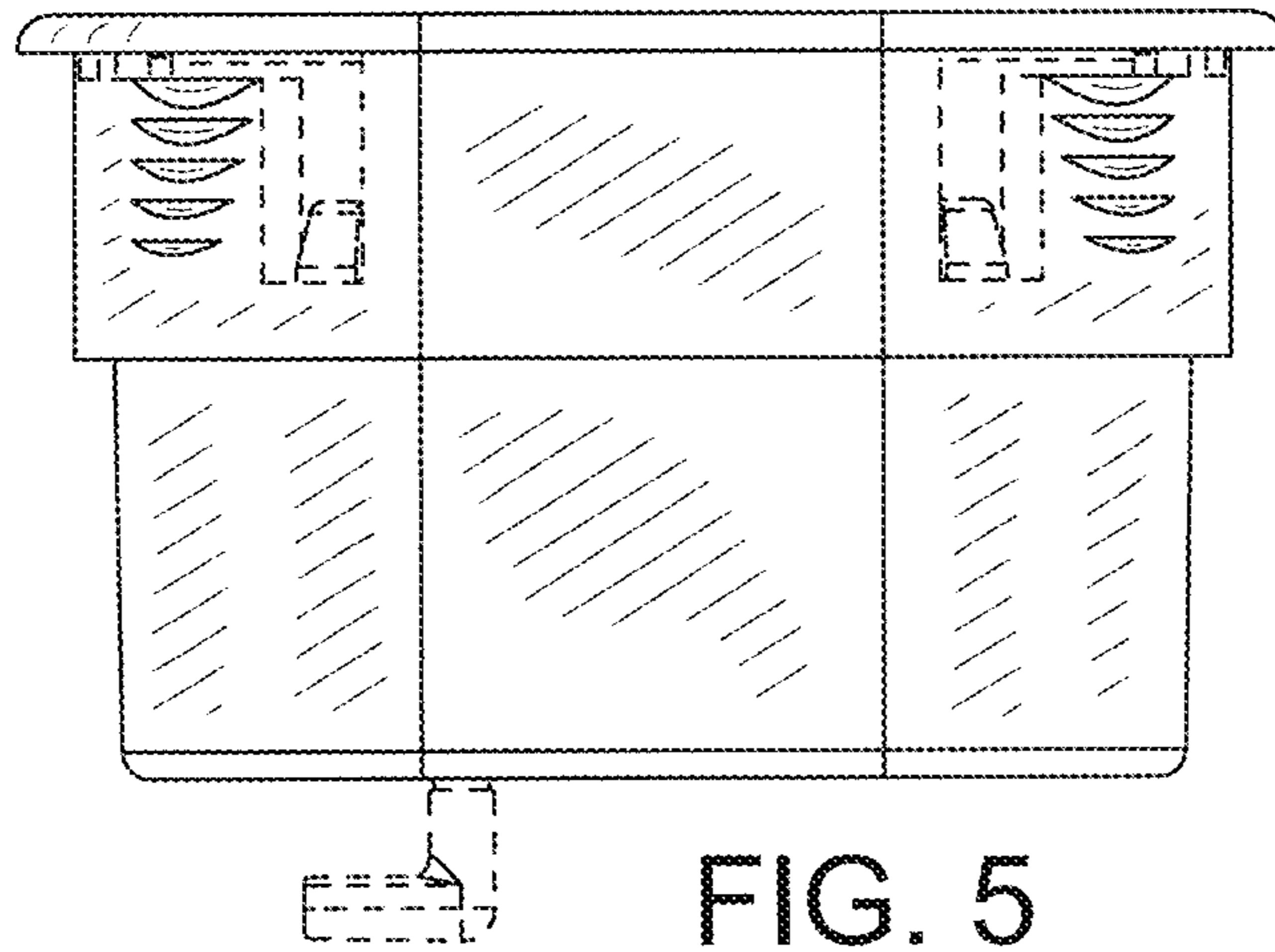


FIG. 5

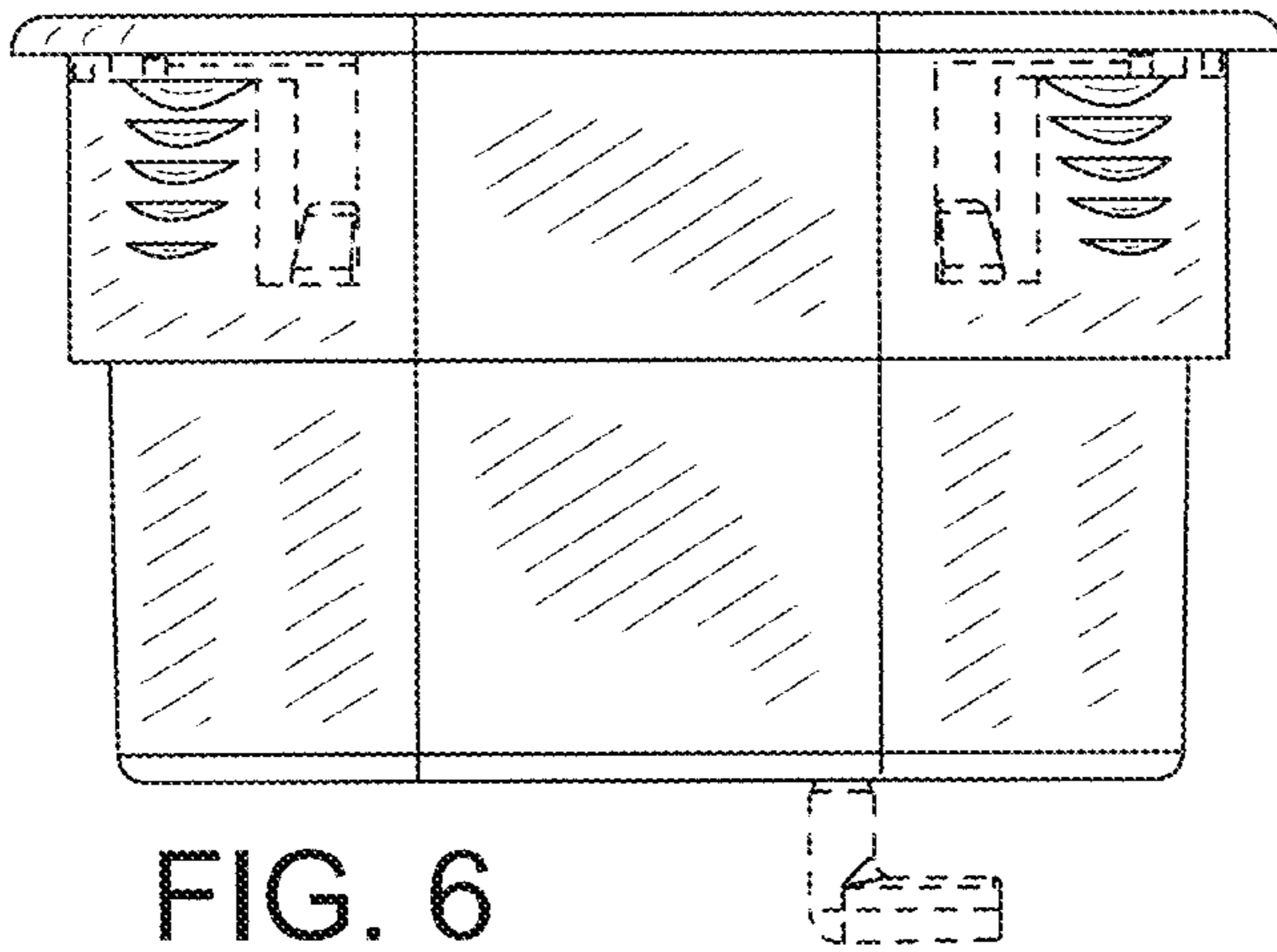


FIG. 6

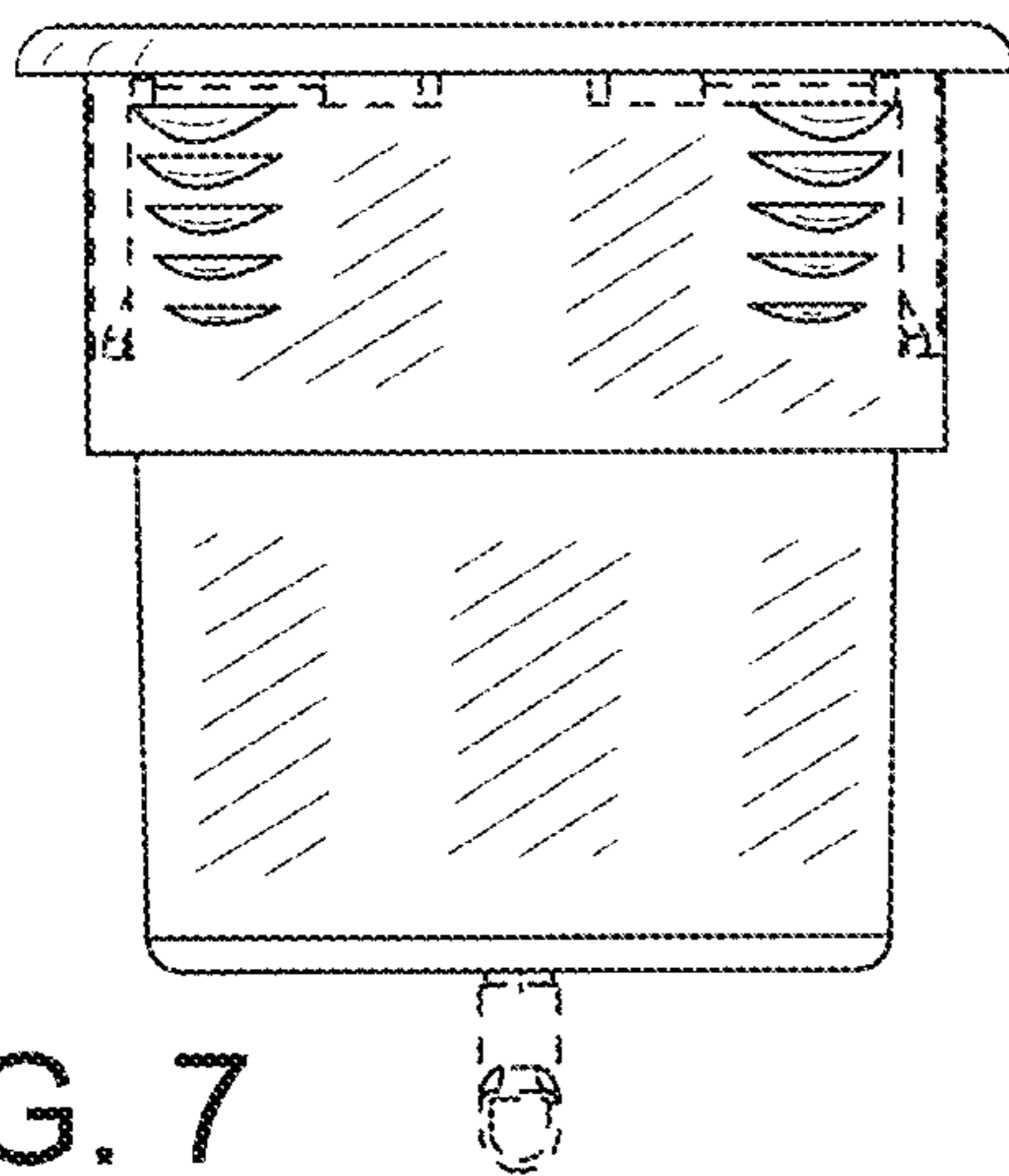


FIG. 7

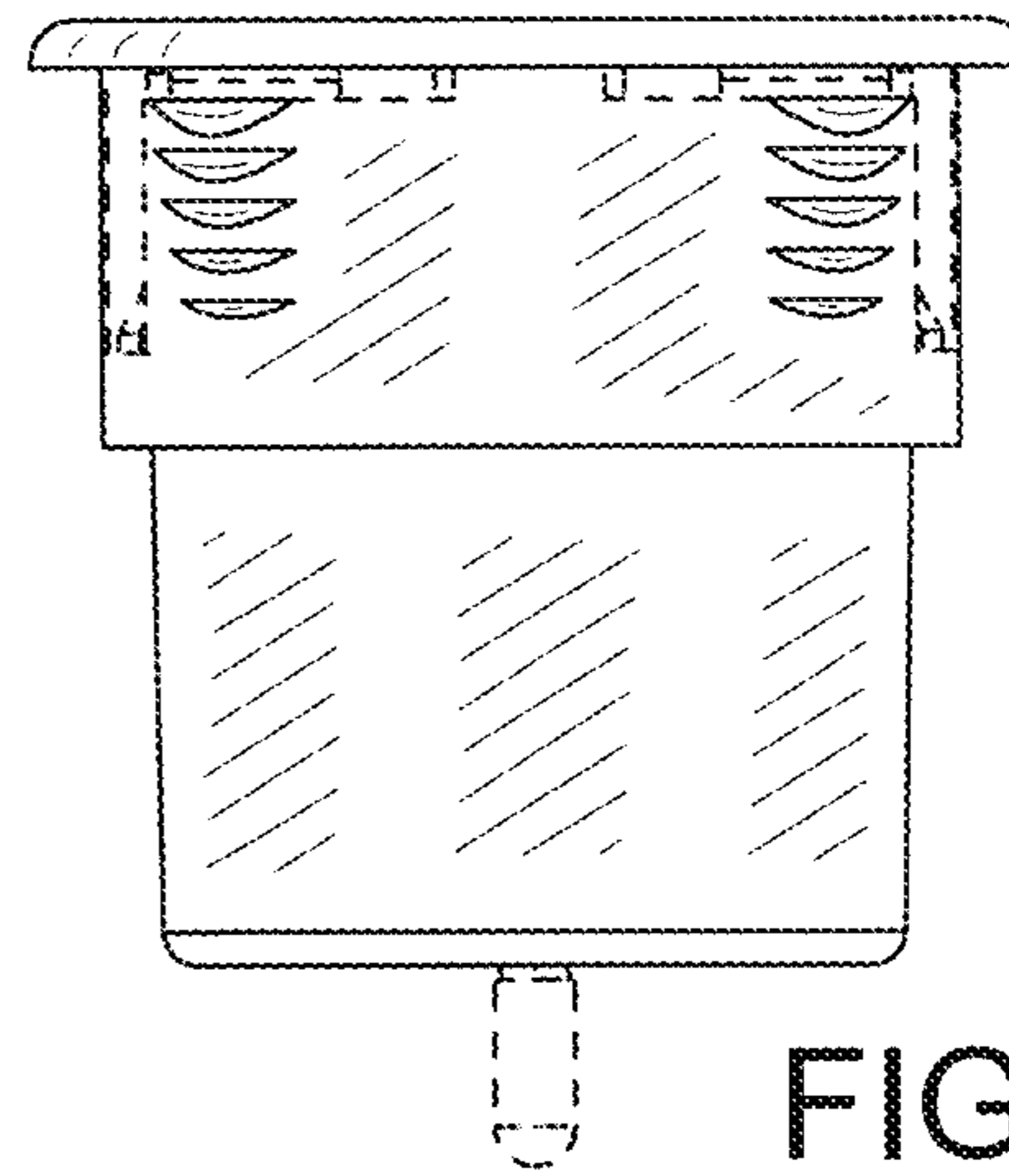


FIG. 8



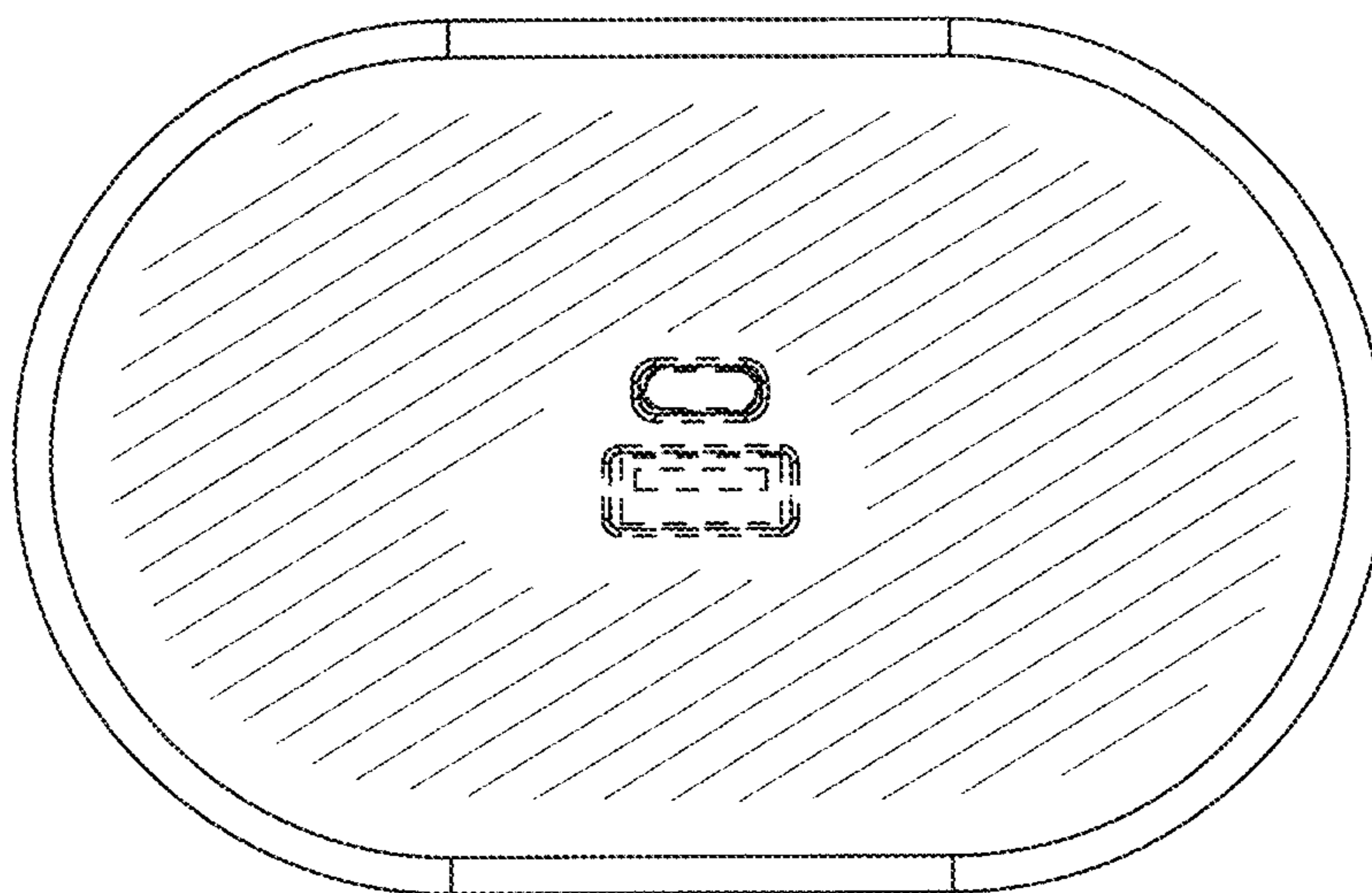


FIG. 9

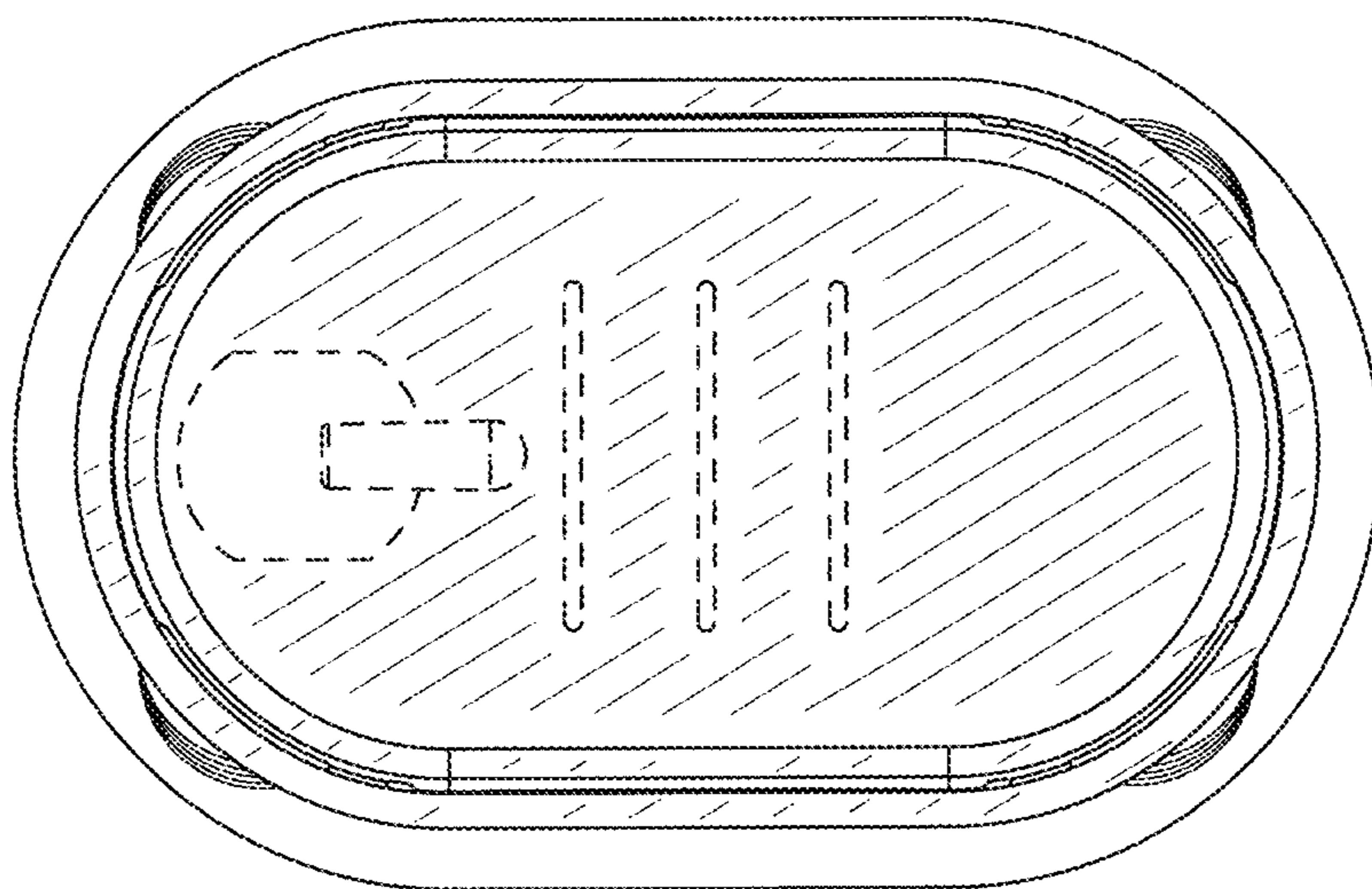


FIG. 10

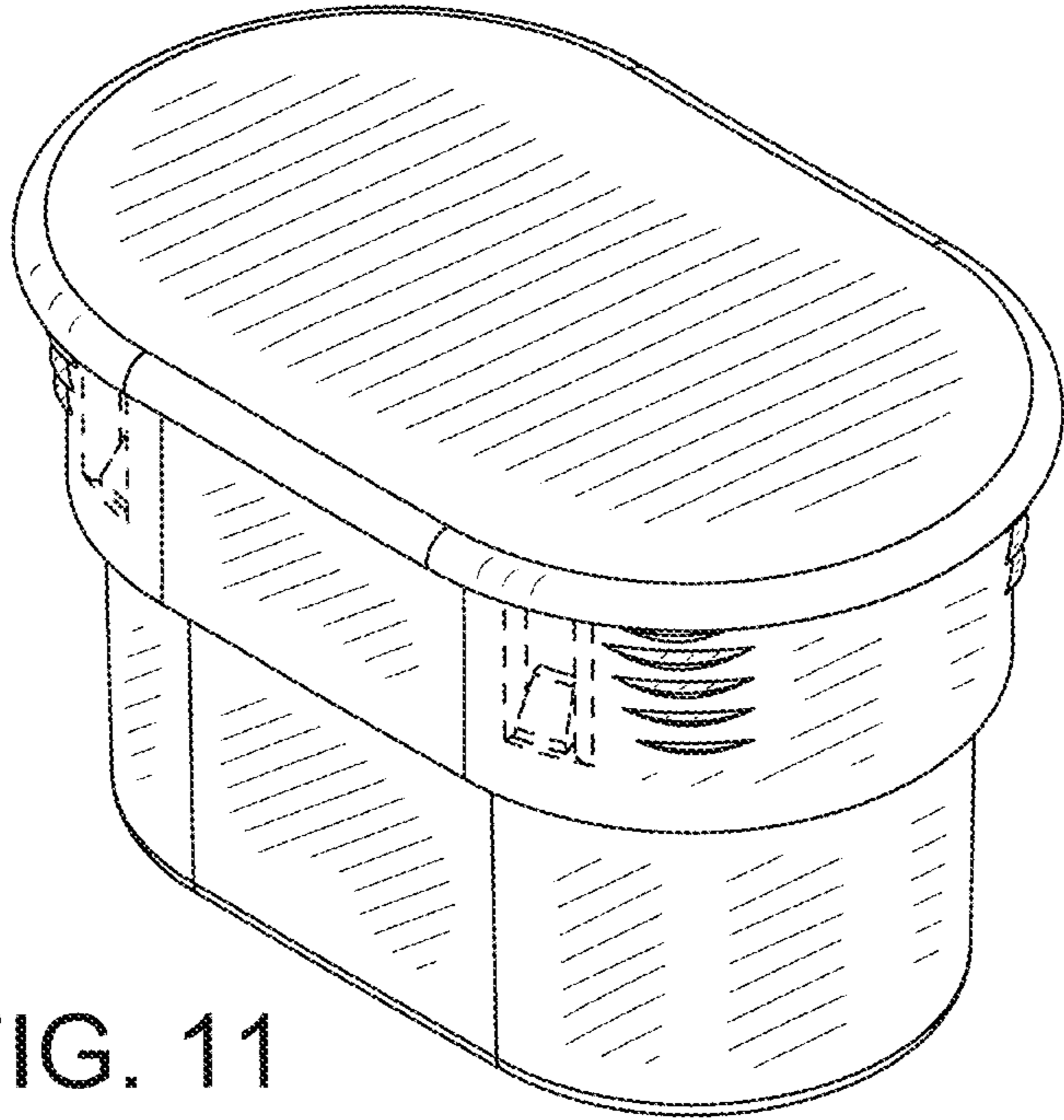


FIG. 11

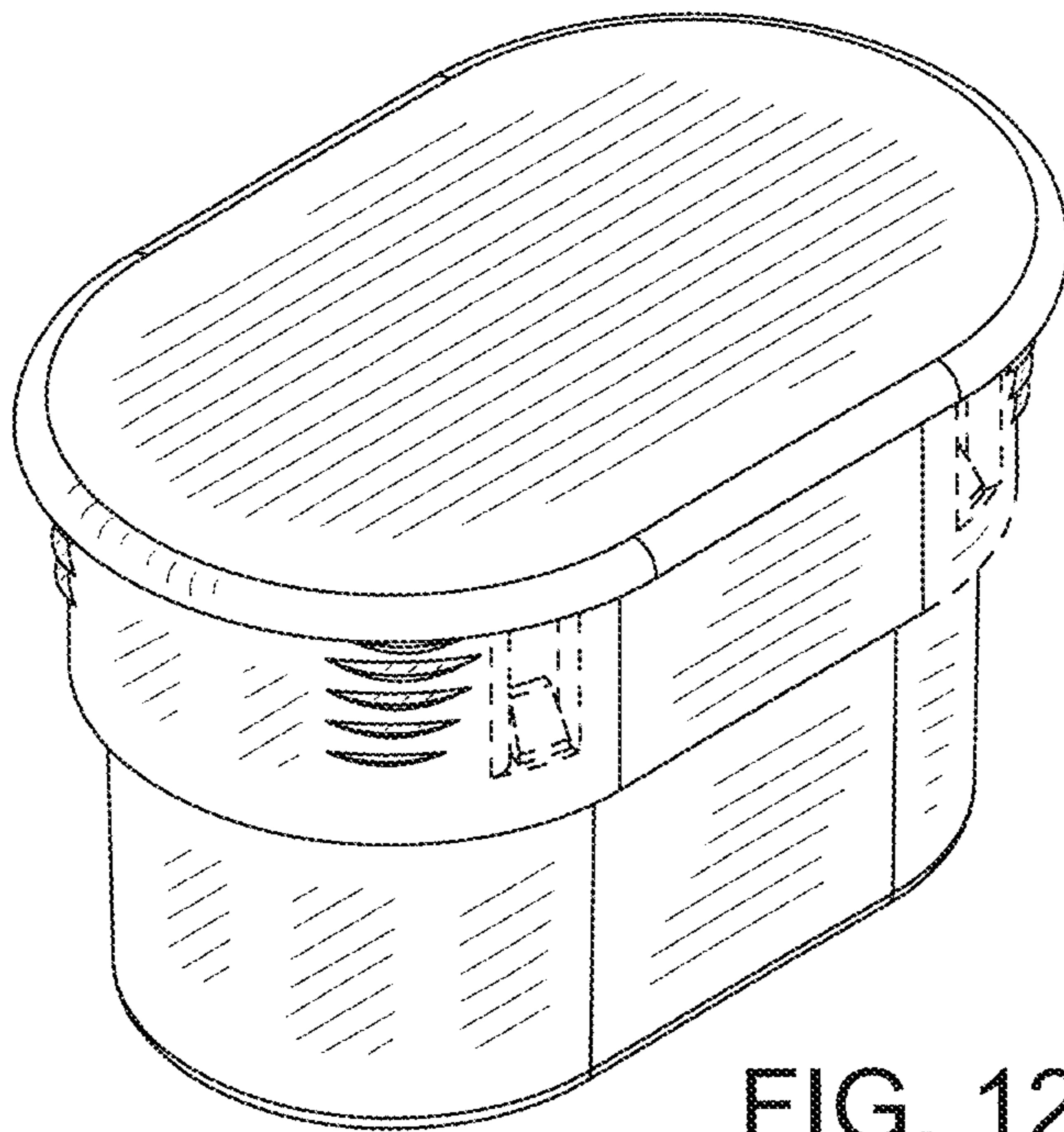


FIG. 12

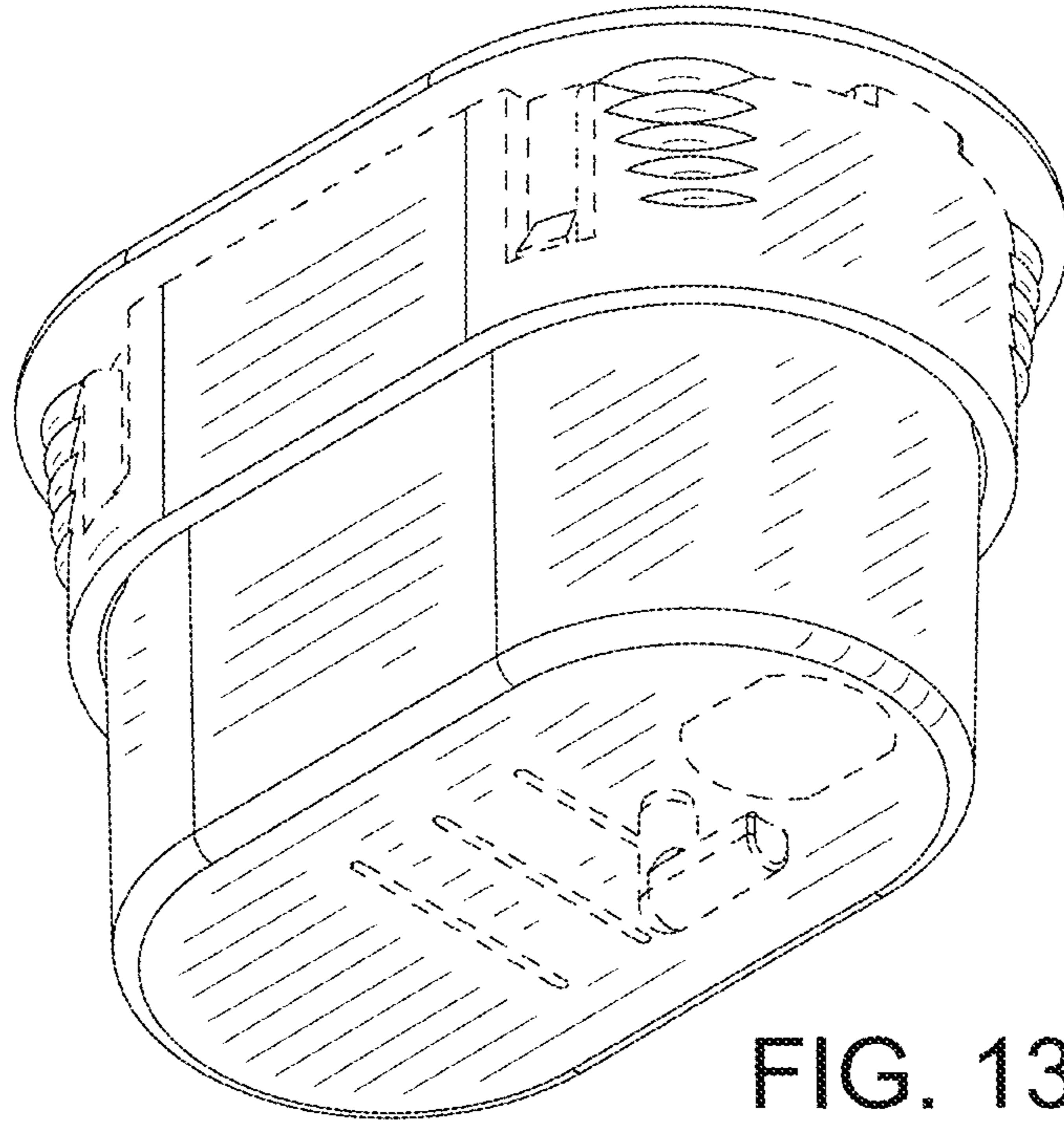


FIG. 13

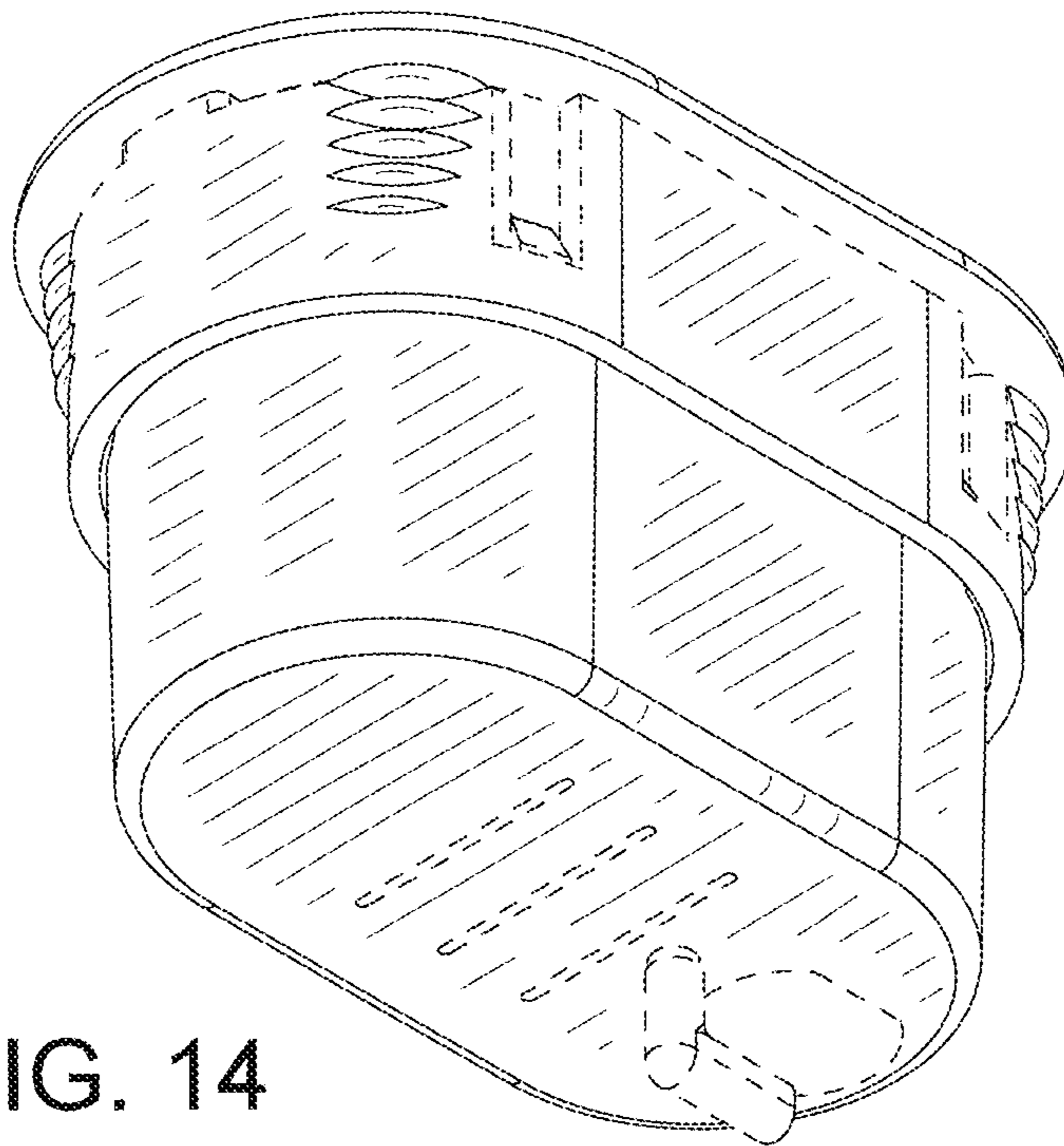


FIG. 14



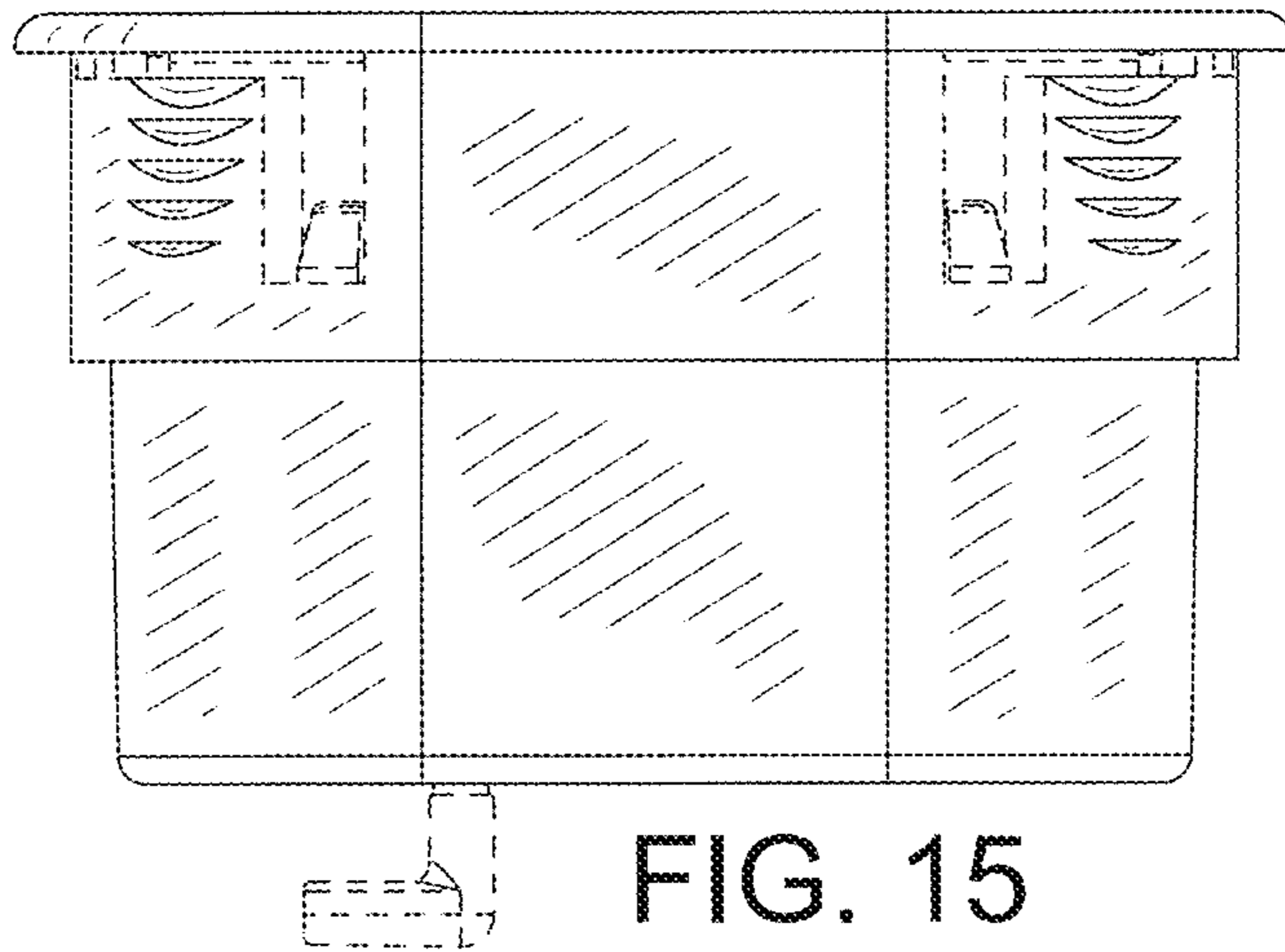


FIG. 15

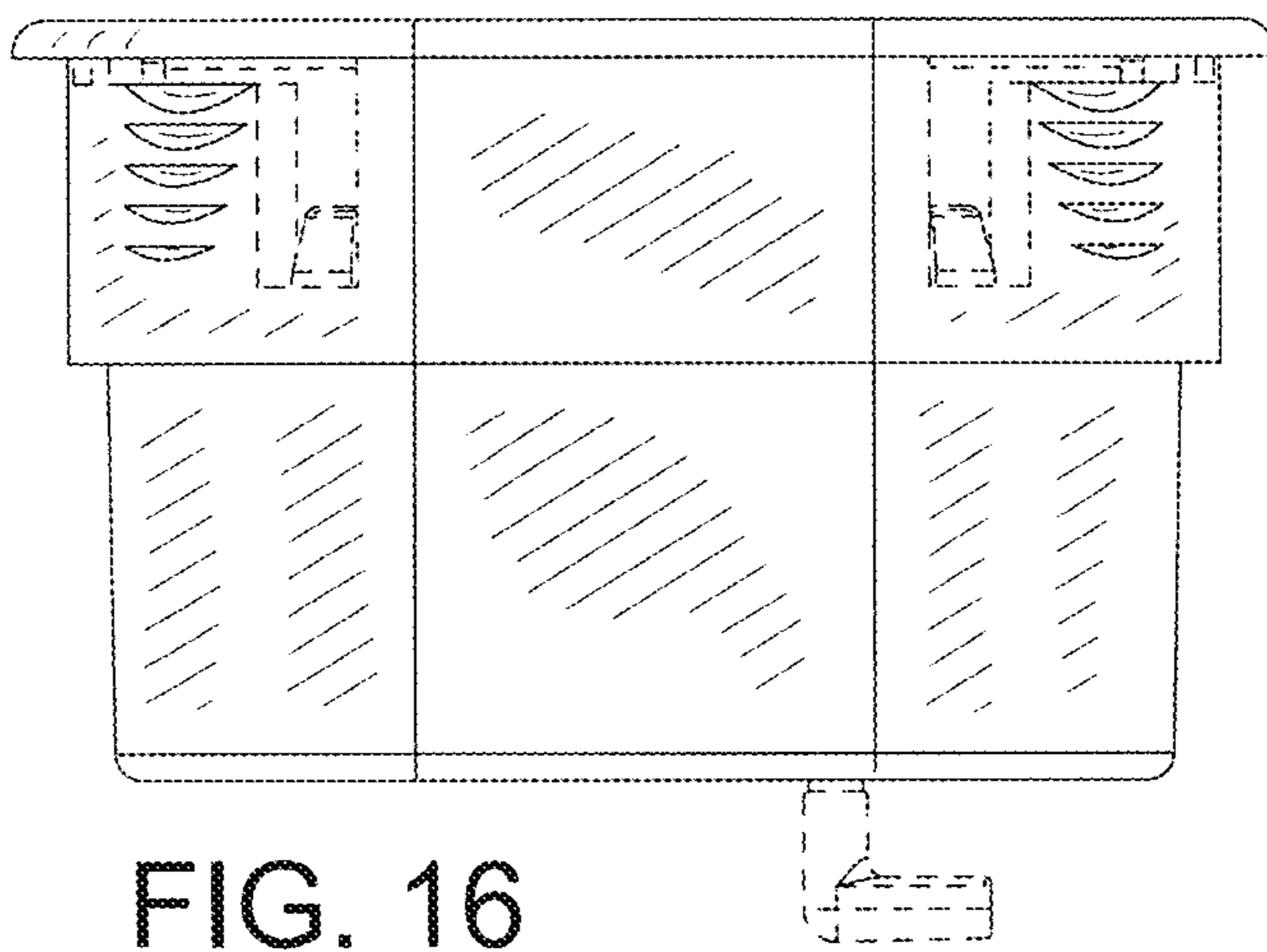


FIG. 16

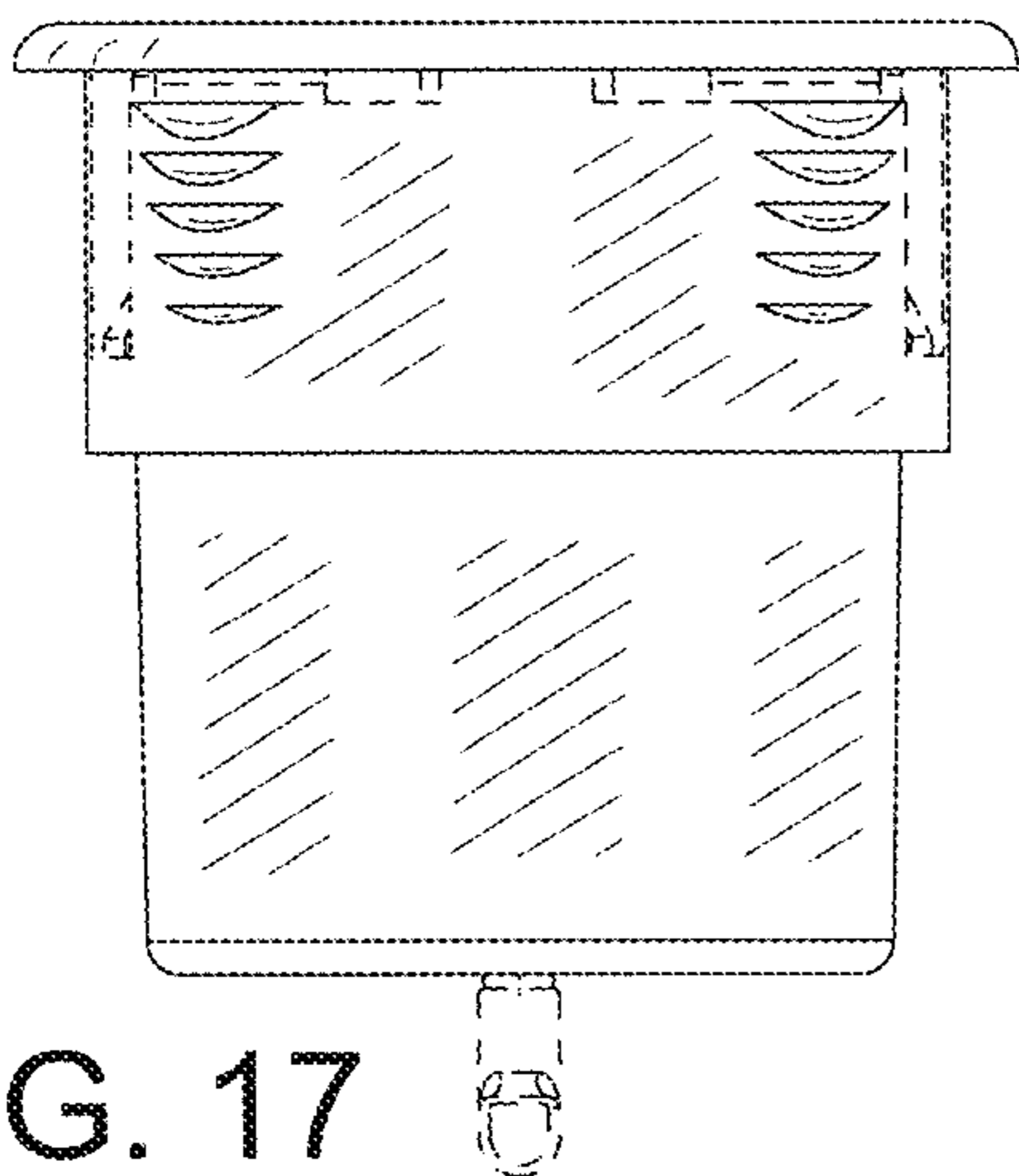


FIG. 17

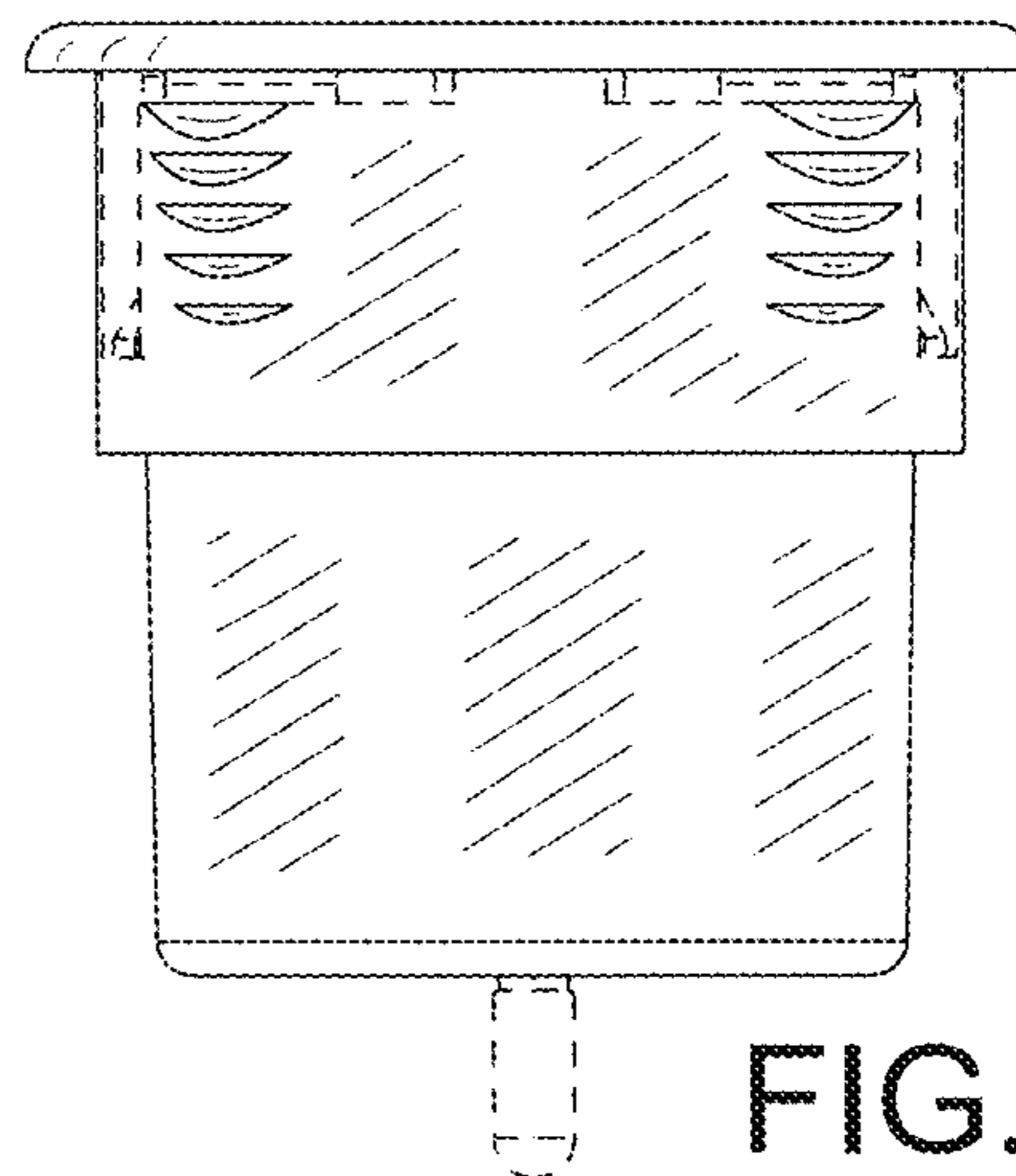


FIG. 18

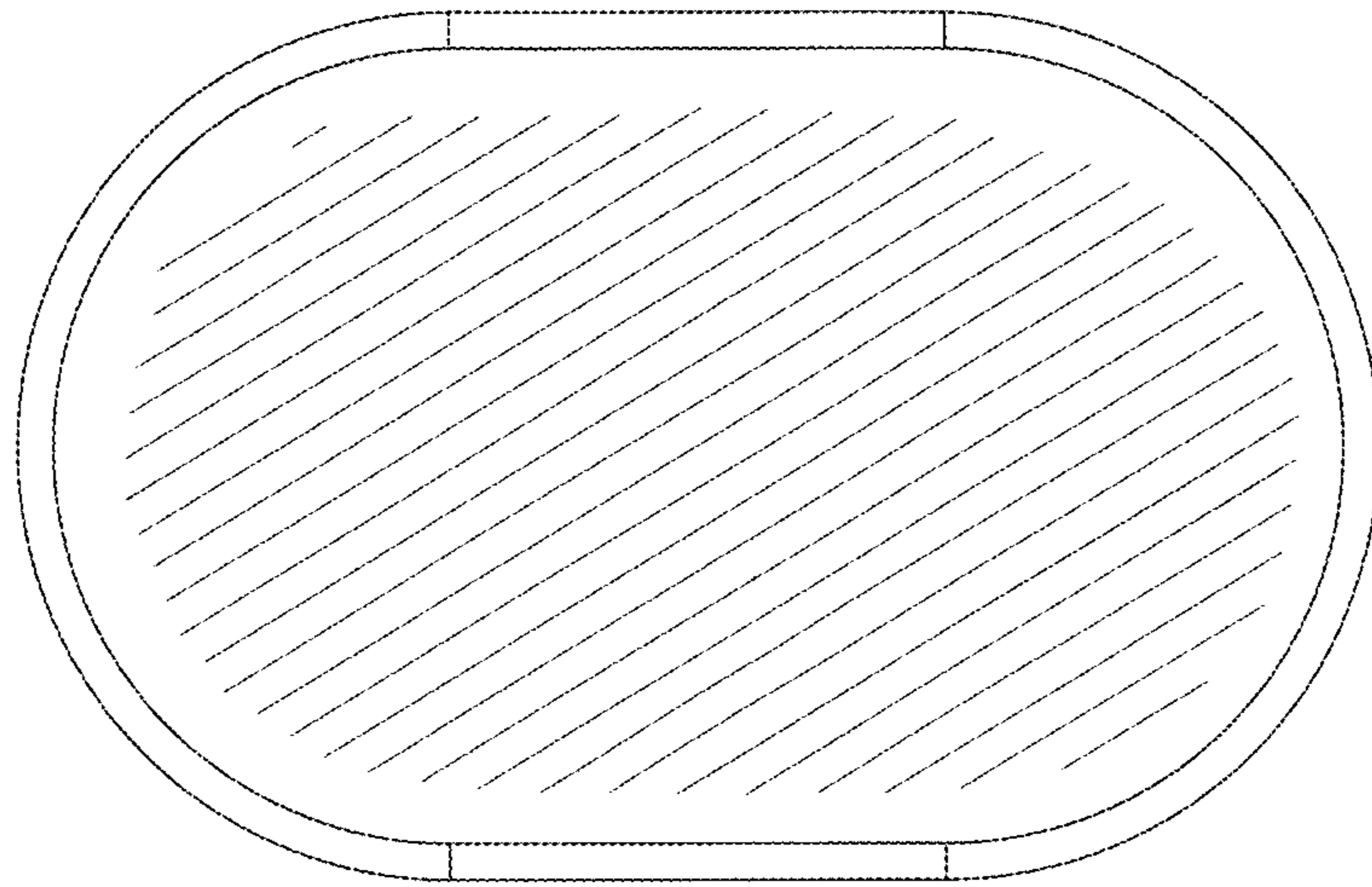


FIG. 19

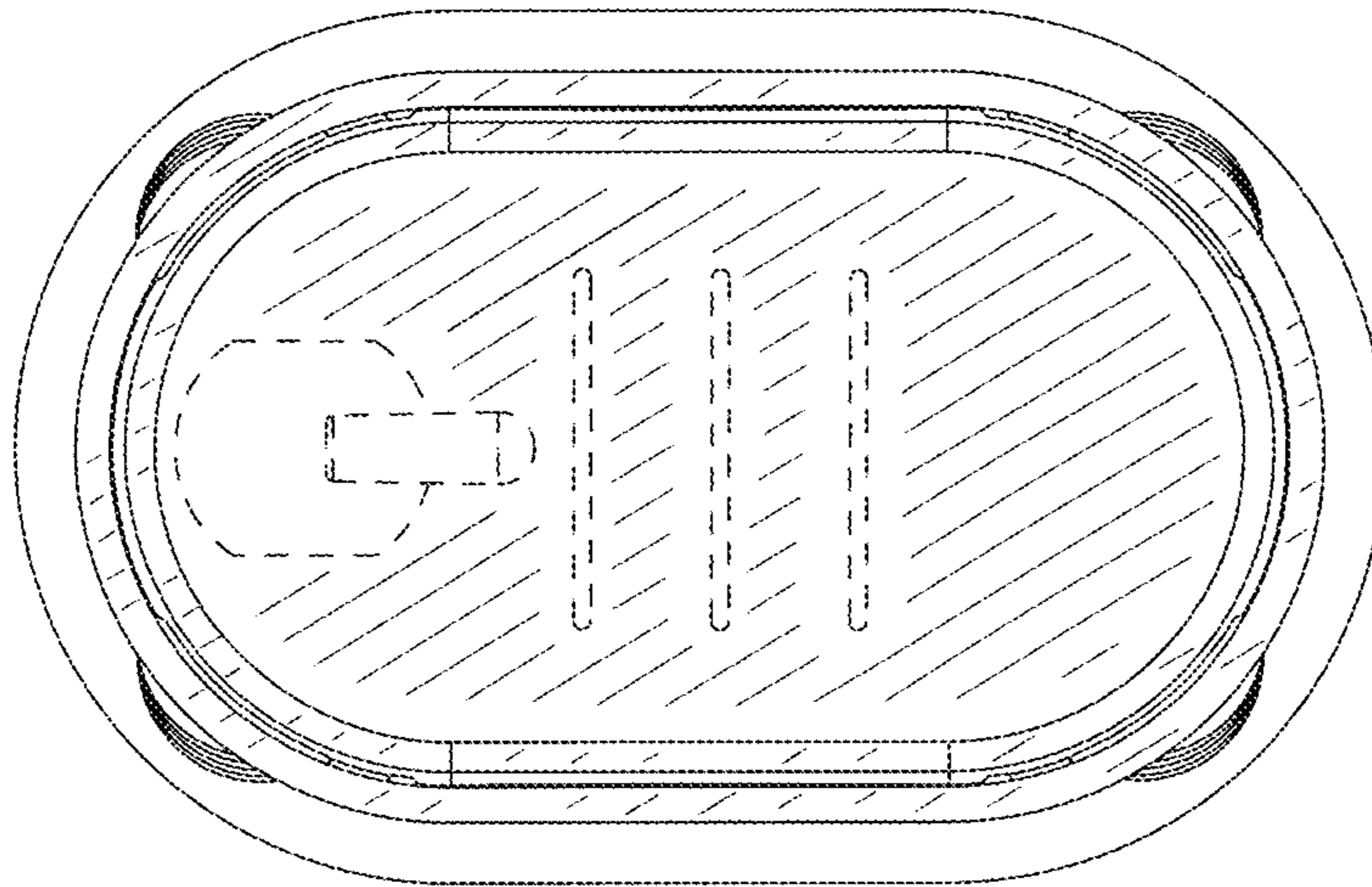


FIG. 20

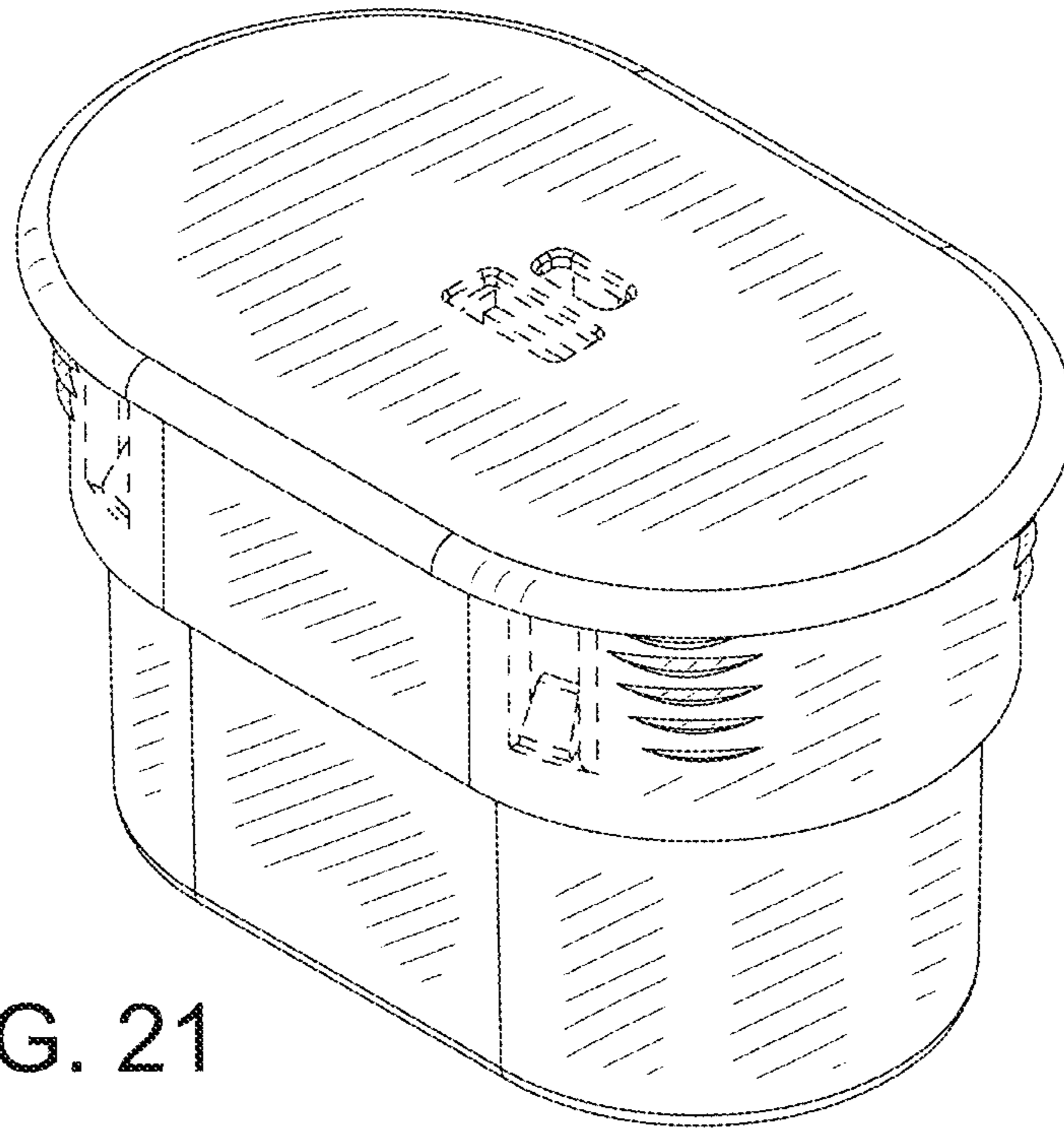


FIG. 21

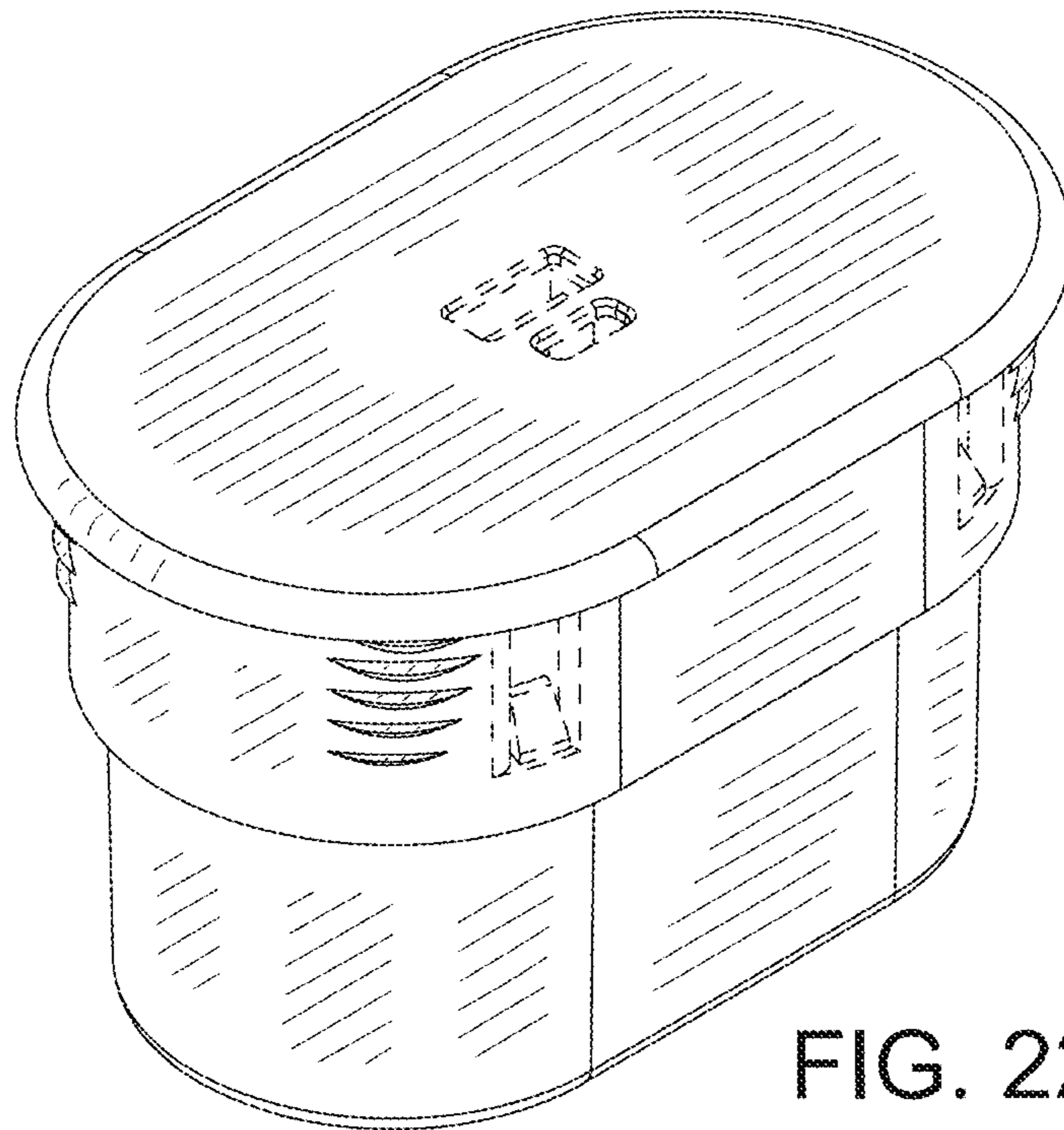


FIG. 22



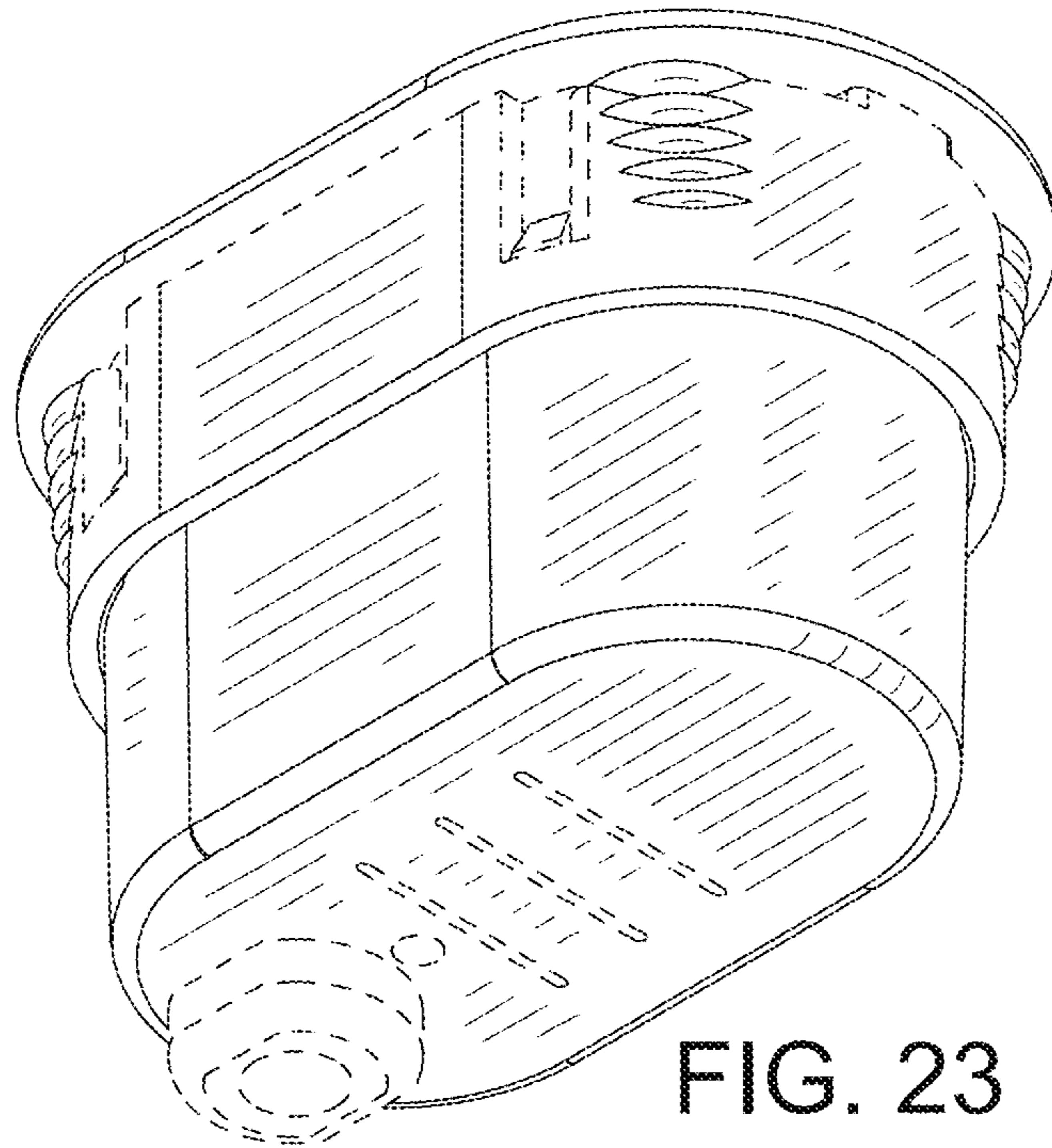


FIG. 23

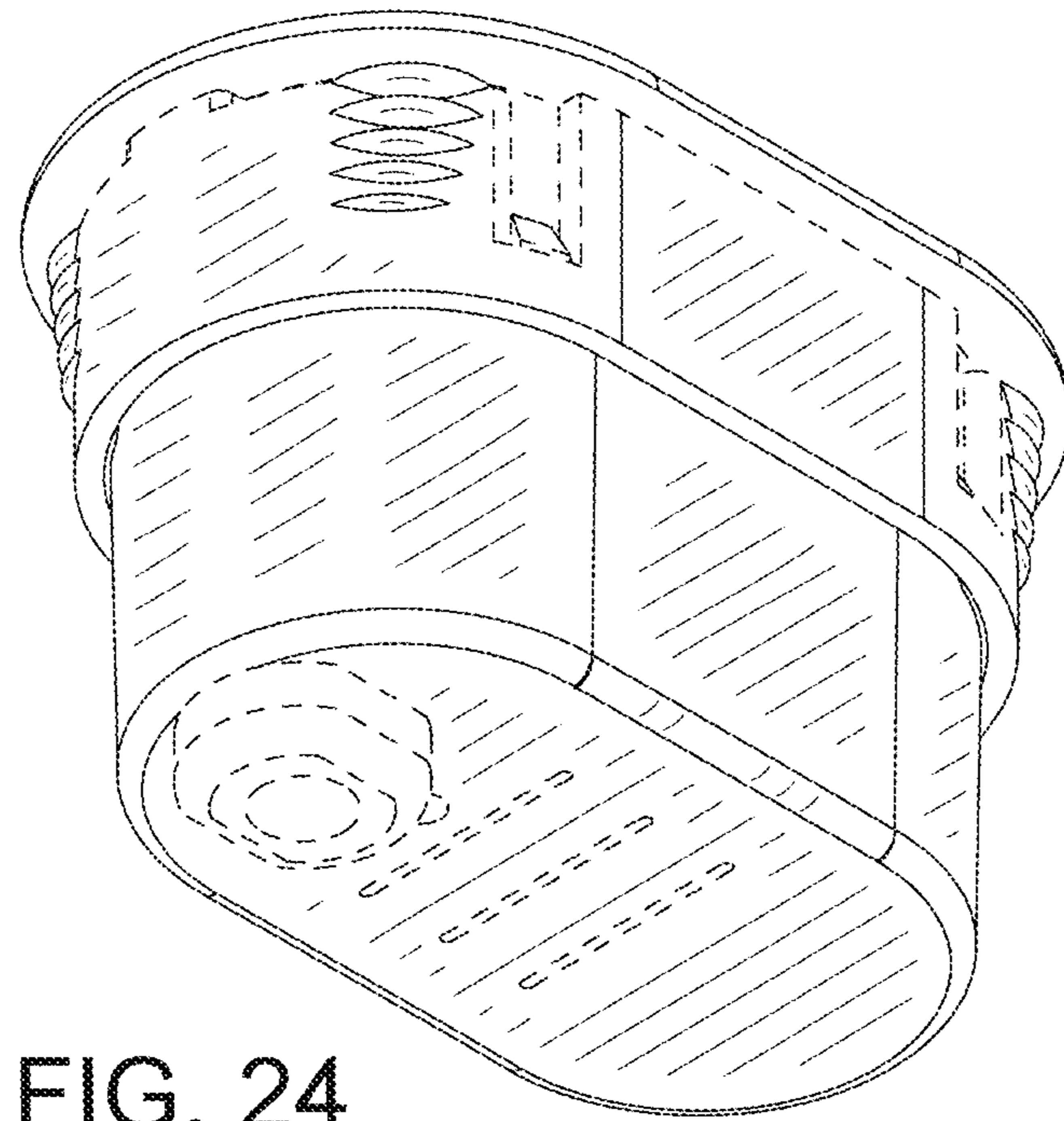


FIG. 24

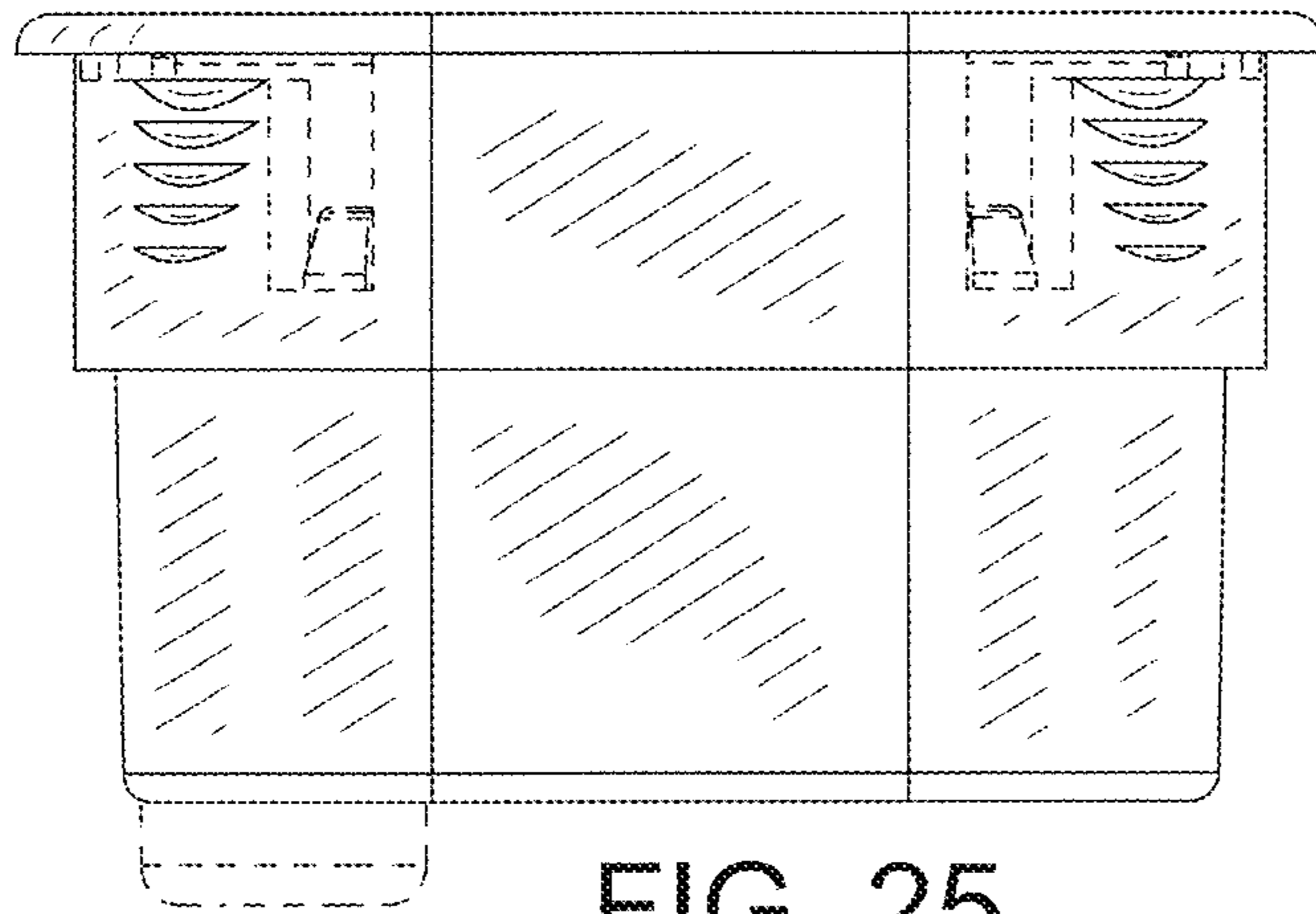


FIG. 25

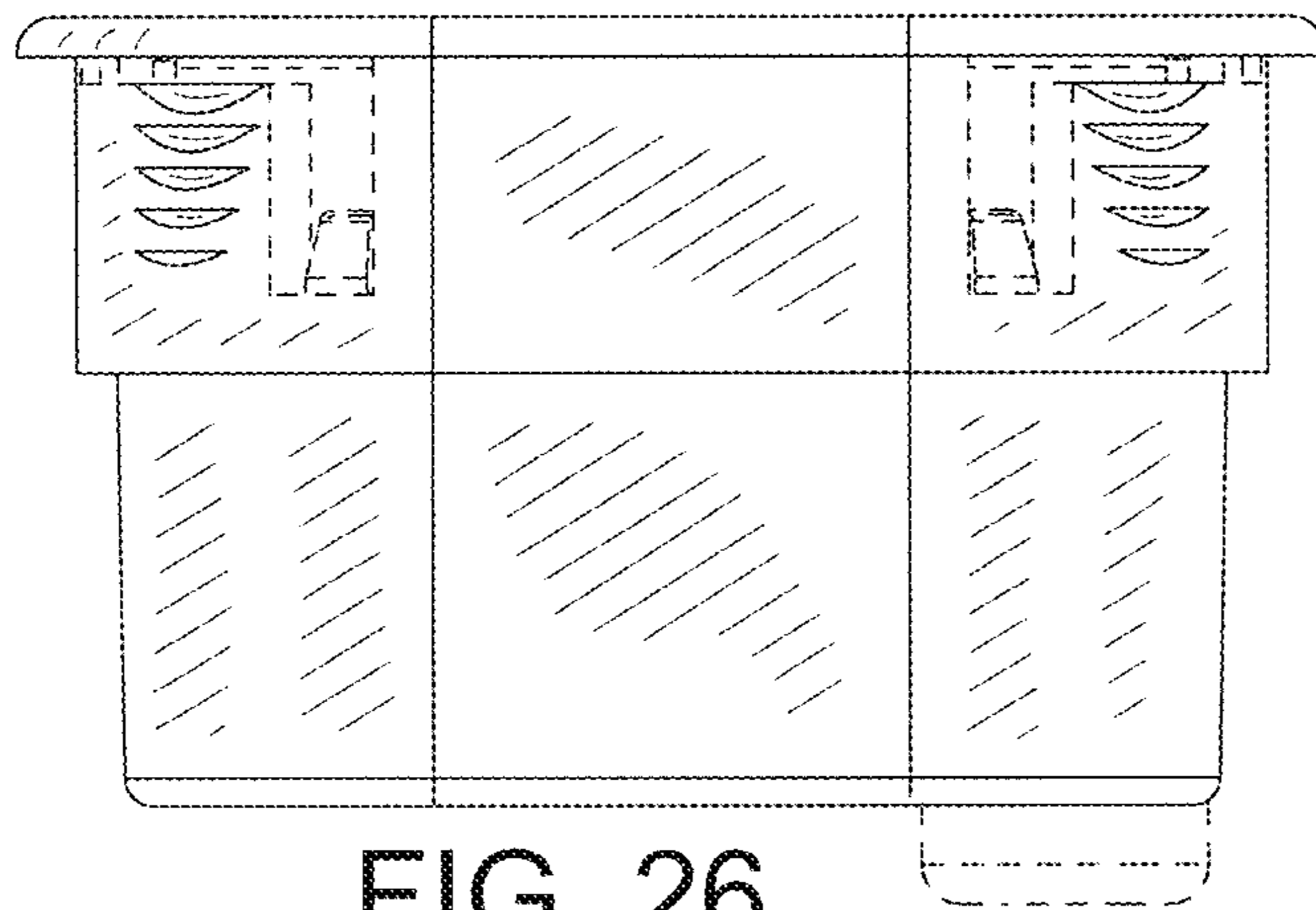


FIG. 26

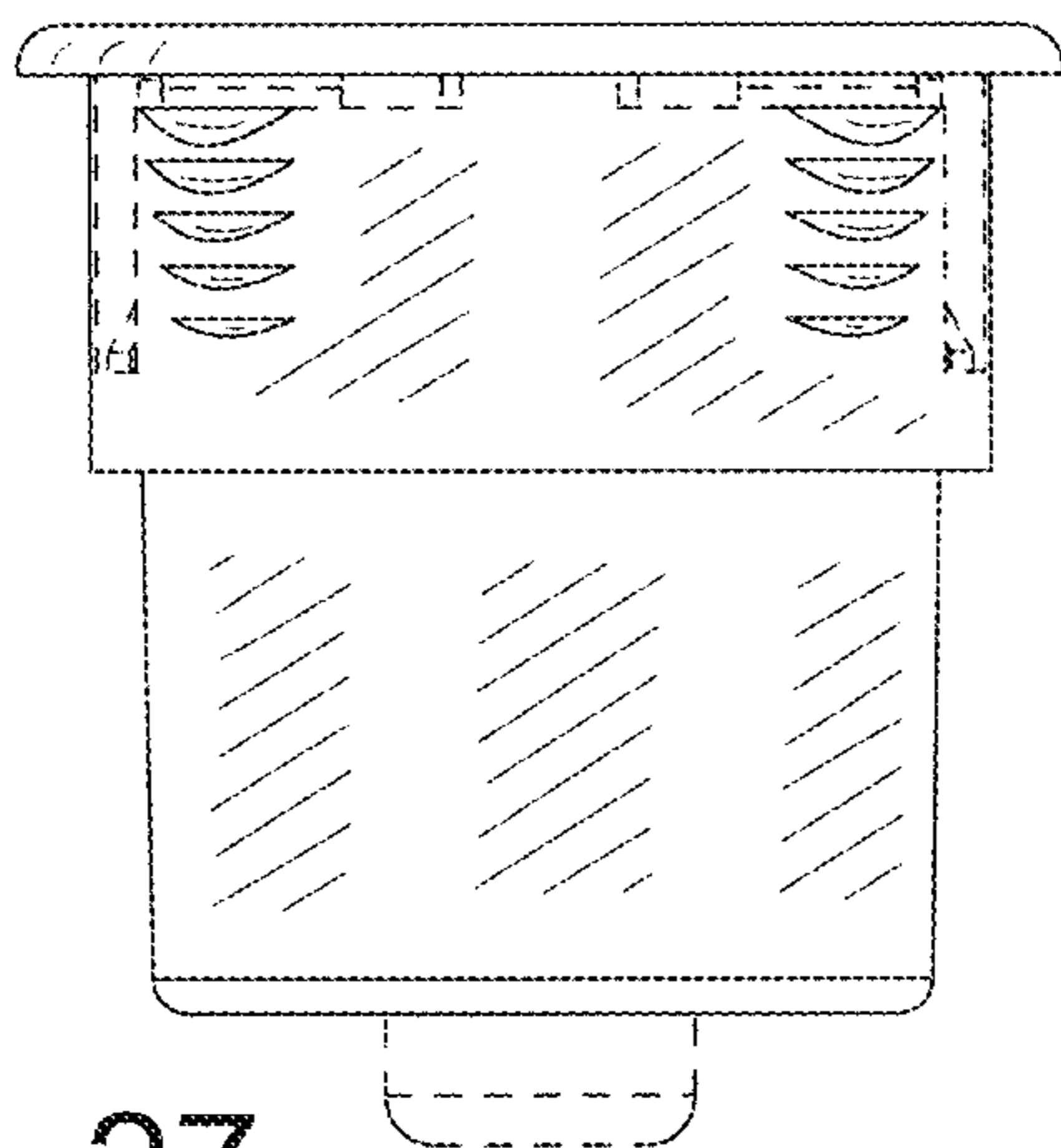


FIG. 27

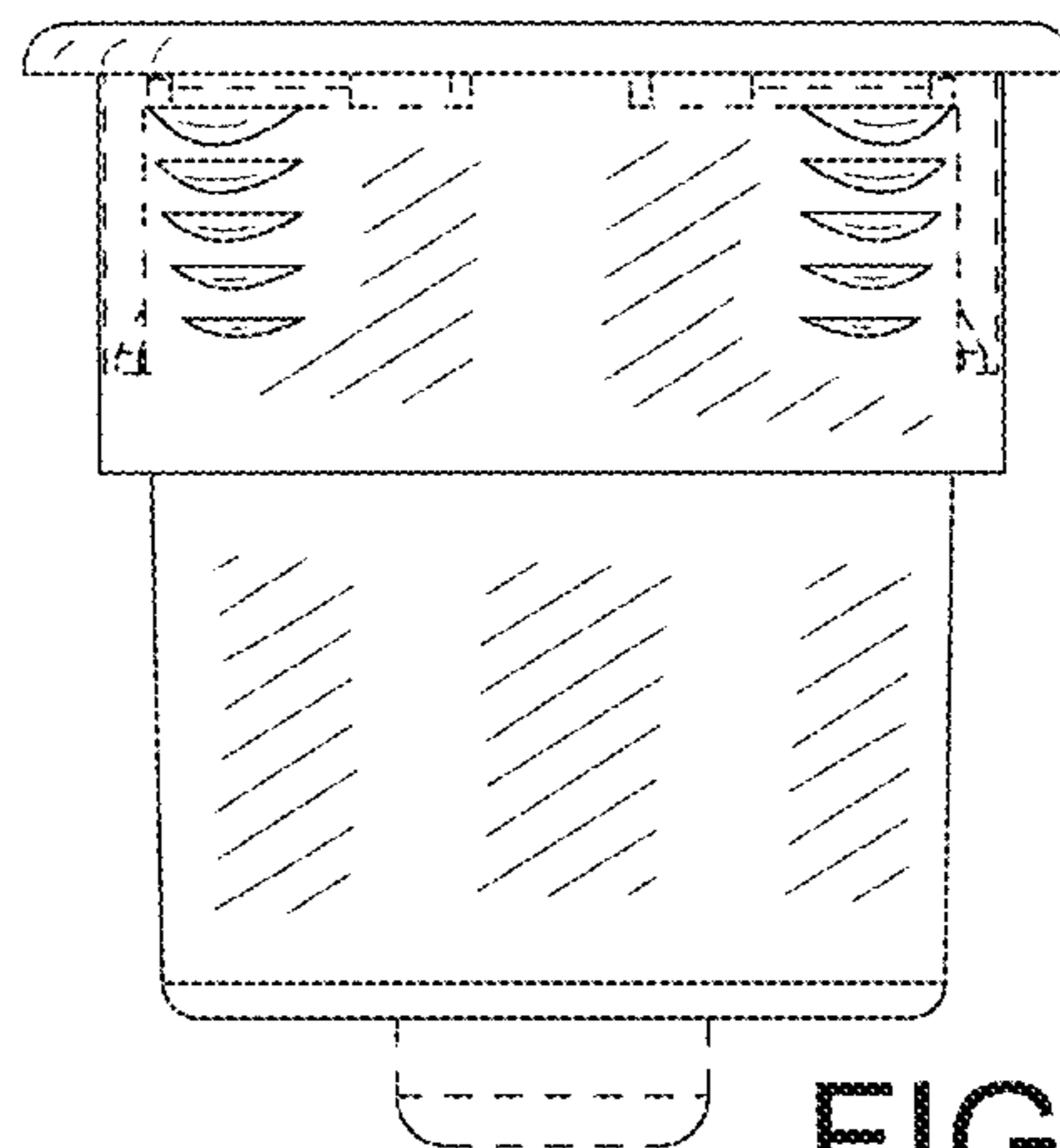


FIG. 28

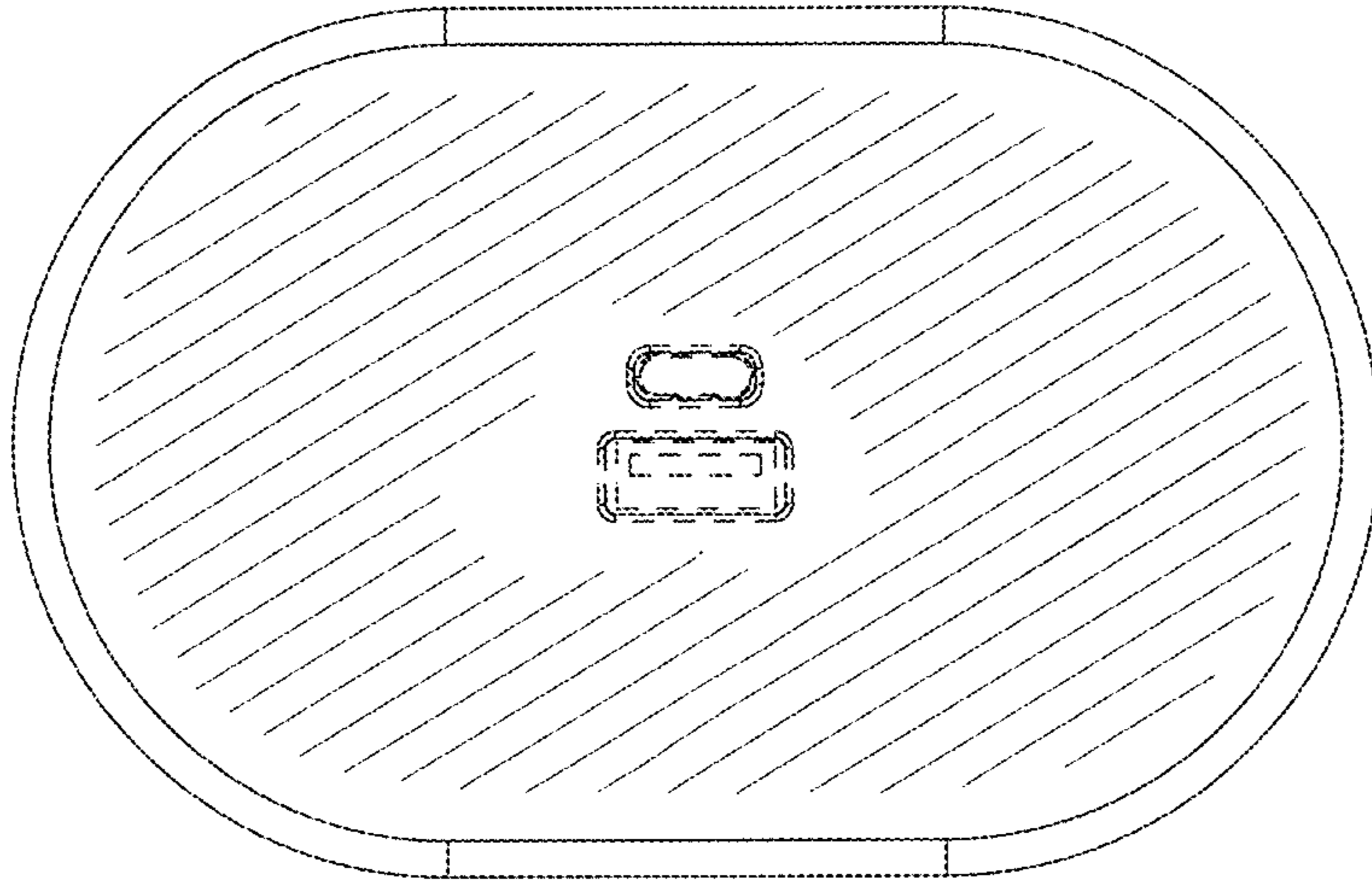


FIG. 29

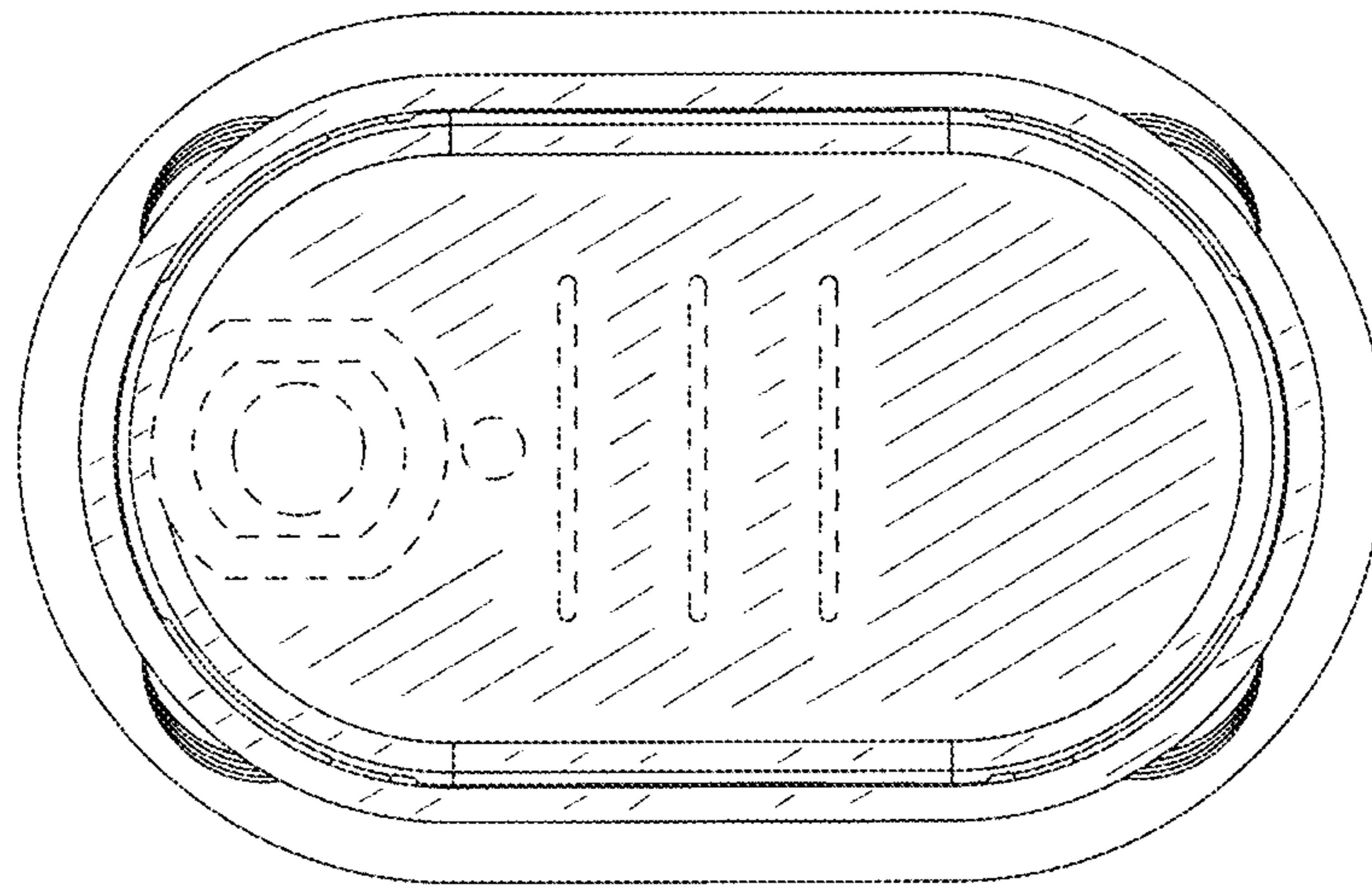


FIG. 30