



US00D900034S

(12) **United States Design Patent** (10) **Patent No.:** **US D900,034 S**
Brandstatter et al. (45) **Date of Patent:** **** Oct. 27, 2020**

- (54) **GROMMET ASSEMBLY HAVING ELECTRICAL POWER RECEPTACLES FOR USE WITH A WORK SURFACE** D409,980 S * 5/1999 Byrne D13/137.1
6,024,599 A 2/2000 Stathis et al.
6,923,684 B2 8/2005 Strayer
7,053,296 B2 * 5/2006 Drane H02G 3/0493
174/483
- (71) Applicant: **Premier Manufacturing Group, Inc.,** D553,306 S * 10/2007 Hansen D13/139.4
Shelton, CT (US) 7,806,723 B2 * 10/2010 Chong H02G 3/22
439/571
- (72) Inventors: **Michael Brandstatter,** Milford, CT 7,989,738 B2 8/2011 Byrne
(US); **Bernard Bensussan,** Stratford, D647,853 S * 11/2011 Kan D13/139.4
CT (US); **Michael O’Keefe,** 8,475,186 B1 7/2013 Sikkema et al.
Wethersfield, CT (US) D714,726 S * 10/2014 Byrne D13/137.1
8,987,642 B2 3/2015 Byrne
9,024,211 B2 5/2015 Stathis et al.
D739,821 S * 9/2015 Byrne D13/139.4
- (73) Assignee: **Premier Manufacturing Group, Inc.,** (Continued)
Shelton, CT (US)

(**) Term: **15 Years**

Primary Examiner — Rhea Shields

(21) Appl. No.: **29/635,109**

(74) *Attorney, Agent, or Firm* — Raymond A. Nuzzo

(22) Filed: **Jan. 28, 2018**

(57) **CLAIM**

Related U.S. Application Data

The ornamental design for a grommet assembly having electrical power receptacles for use with a work surface, as shown and described.

(62) Division of application No. 15/833,029, filed on Dec. 6, 2017, now Pat. No. 10,256,582.

DESCRIPTION

(51) **LOC (12) Cl.** **13-03**

(52) **U.S. Cl.**
USPC **D13/138.1**

(58) **Field of Classification Search**
USPC D13/137.1–137.3, 138.1–138.2,
D13/139.1–139.4; D8/356; D14/433
CPC H01R 13/746; H02G 3/22; H02G 3/0493;
H02G 3/185; A47B 97/00; H02B 1/048
See application file for complete search history.

FIG. 1 is top perspective view of a grommet assembly having electrical power receptacles for use, with a work surface, showing our new design;
FIG. 2 is a front elevational view thereof, the rear elevational view being identical to the front elevational view;
FIG. 3 is a left side elevational view thereof, the right side elevational view being identical to the left side elevational view;
FIG. 4 is a top plan view thereof; and,
FIG. 5 is a bottom plan view thereof.

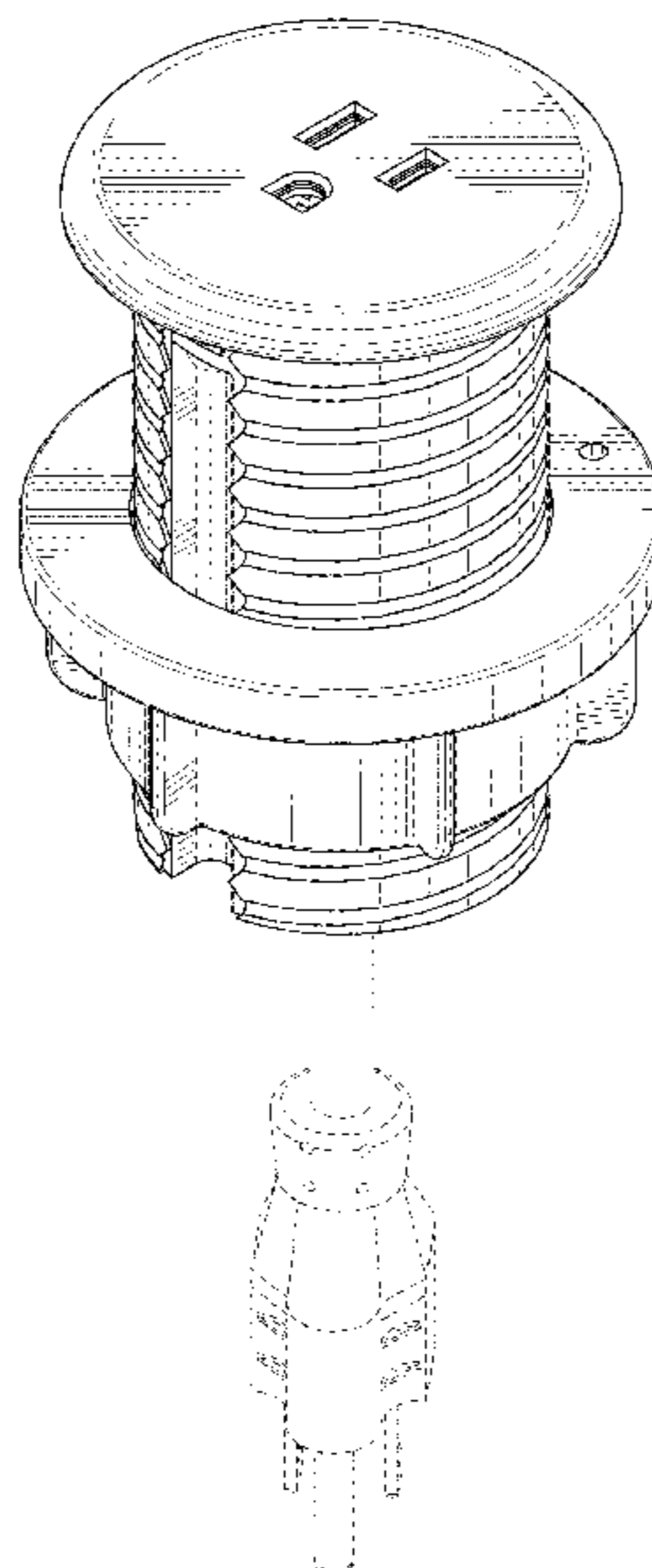
(56) **References Cited**

U.S. PATENT DOCUMENTS

- 4,453,059 A * 6/1984 Fukushima H02B 1/048
200/296
- 5,705,772 A * 1/1998 Brown H02G 3/185
174/487

In the drawings, the broken lines are for the purpose of illustrating portions of the grommet assembly having electrical power receptacles for use with a work surface that form no part of the claimed design.

1 Claim, 5 Drawing Sheets



(56)

References Cited

U.S. PATENT DOCUMENTS

D741,266 S * 10/2015 Byrne D13/138.2
9,312,653 B2 4/2016 Byrne et al.
D762,176 S 7/2016 Byrne et al.
D788,777 S * 6/2017 Bargetzi D14/433
9,748,709 B2 * 8/2017 Byrne H01R 13/746
D807,297 S * 1/2018 Byrne D13/139.1
D807,829 S * 1/2018 Byrne D13/138.2
D821,183 S * 6/2018 Bargetzi D8/356
10,256,582 B1 * 4/2019 Brandstatter A47B 97/00

* cited by examiner

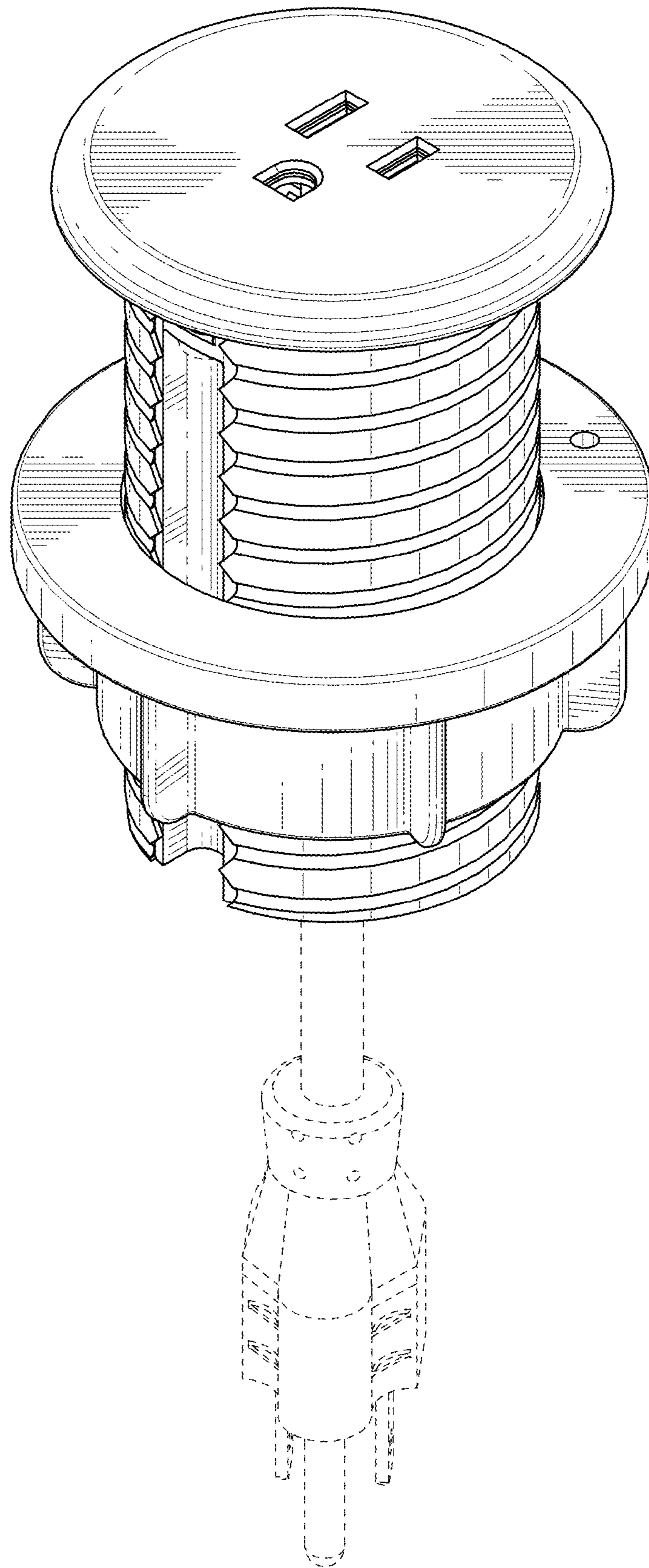


FIG. 1

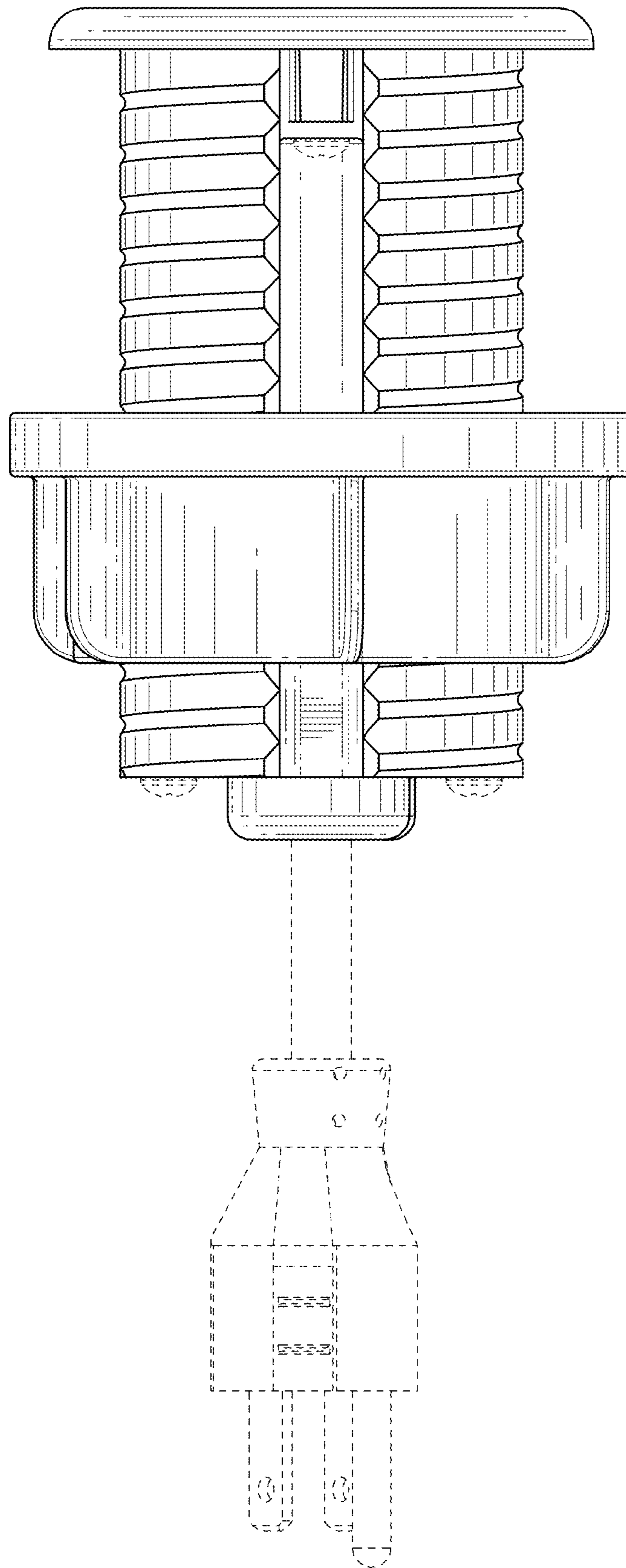


FIG. 2

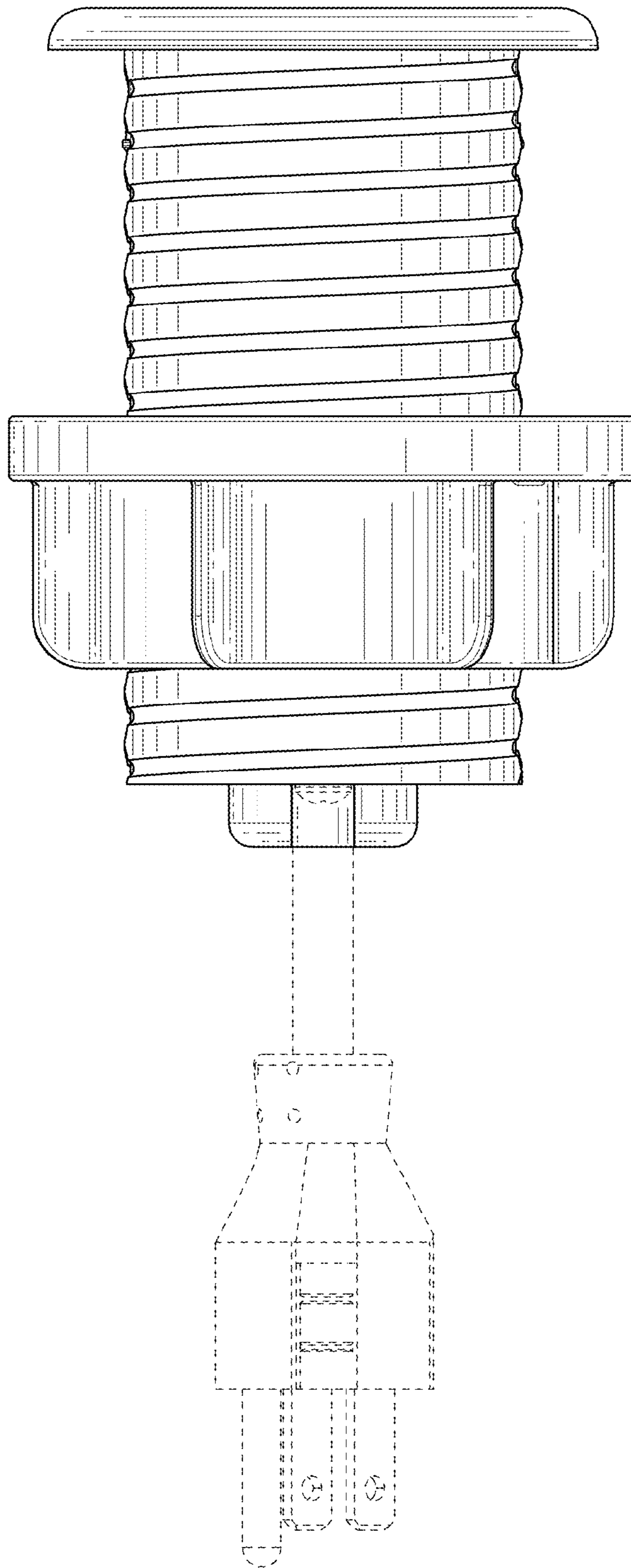


FIG. 3

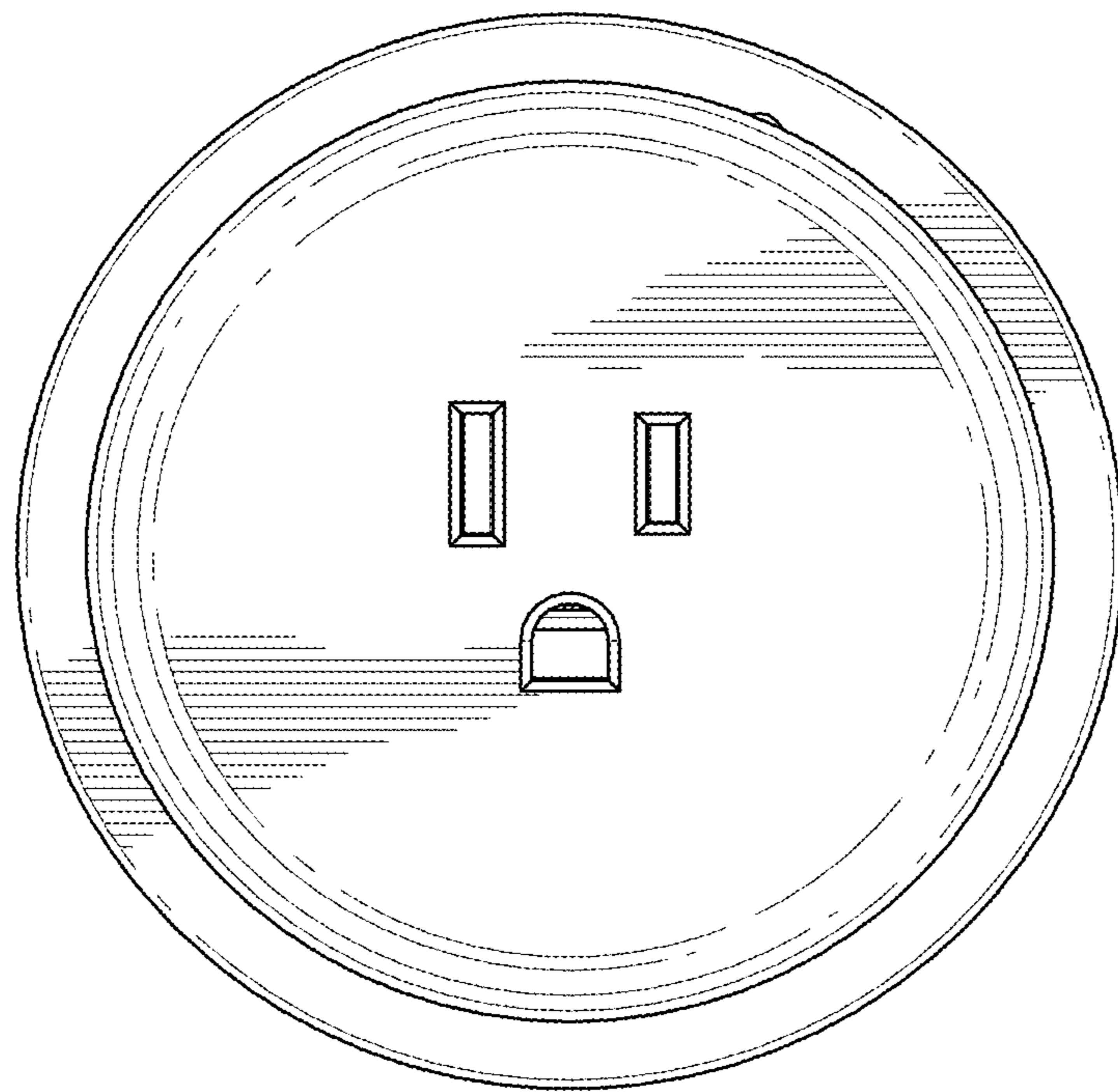


FIG. 4

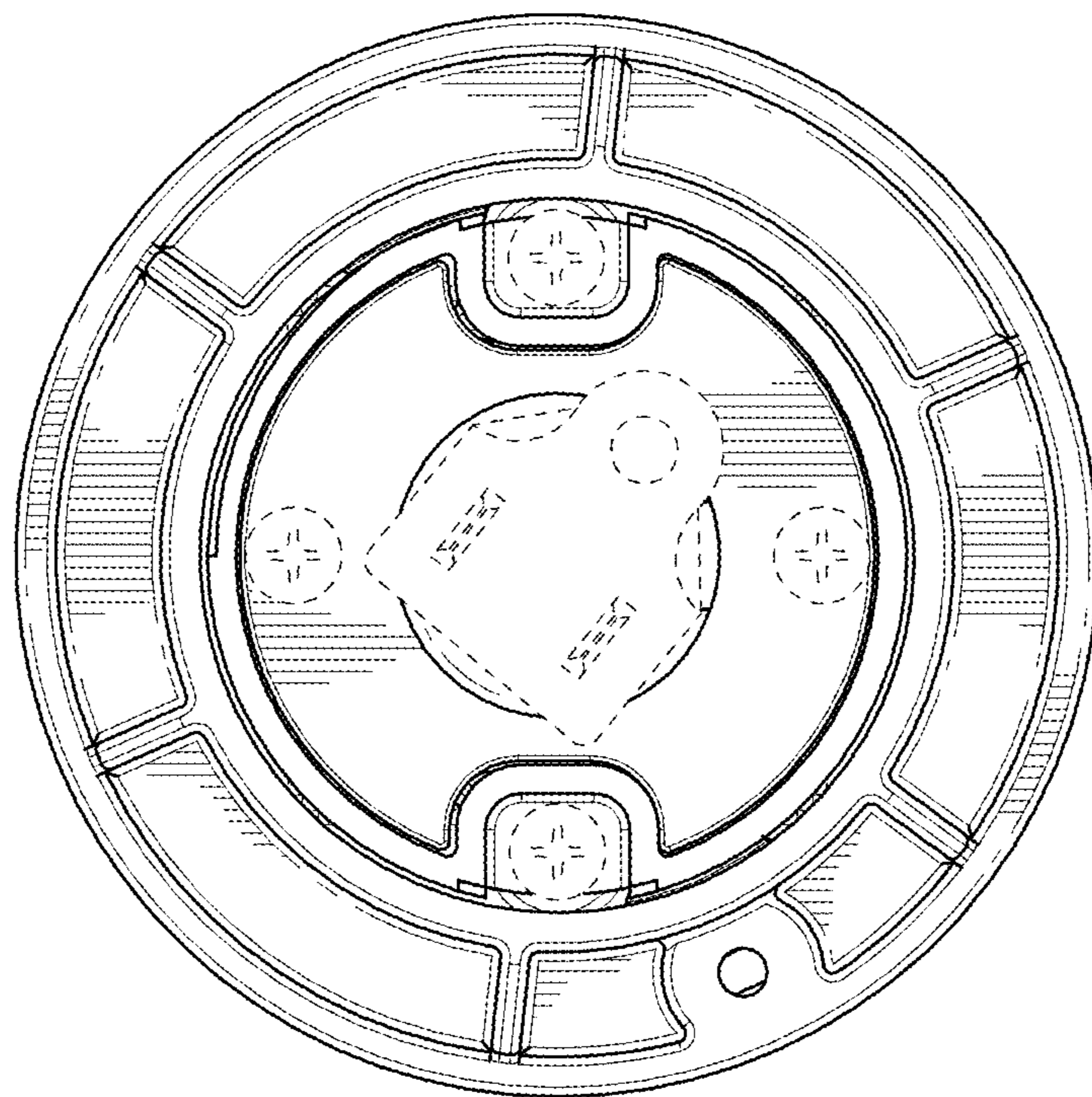


FIG. 5