



US00D900032S

(12) **United States Design Patent** (10) **Patent No.:** **US D900,032 S**  
**Nook et al.** (45) **Date of Patent:** **\*\* Oct. 27, 2020**

- (54) **ELECTRICAL PORT**
- (71) Applicant: **THE NOCO COMPANY**, Glenwillow, OH (US)
- (72) Inventors: **Jonathan Lewis Nook**, Gates Mills, OH (US); **William Knight Nook, Sr.**, Shaker Heights, OH (US); **James Richard Stanfield**, Peoria, AZ (US); **Derek Michael Underhill**, Tempe, AZ (US)
- (73) Assignee: **THE NOCO COMPANY**, Glenwillow, OH (US)
- (\*\*) Term: **15 Years**
- (21) Appl. No.: **29/682,408**
- (22) Filed: **Mar. 5, 2019**
- (51) **LOC (12) Cl.** ..... **13-03**
- (52) **U.S. Cl.**  
USPC ..... **D13/137.1**
- (58) **Field of Classification Search**  
USPC ..... D13/107, 110, 123, 133, 137.1, 137.2, D13/137.4, 146, 147, 153, 154, 156, 173, D13/184, 199  
CPC ..... H01R 9/00; H01R 13/00; H01R 13/514; H01R 13/52; H01R 13/53; H01R 13/62; H01R 25/00; H01R 27/00; H01R 31/06  
See application file for complete search history.

- (56) **References Cited**  
U.S. PATENT DOCUMENTS  
D316,399 S \* 4/1991 Wharton ..... D13/133  
6,767,255 B1 \* 7/2004 Croswell ..... H01R 25/003  
439/106  
7,210,960 B2 \* 5/2007 Mak ..... H01R 13/504  
439/505  
D649,938 S \* 12/2011 Erickson ..... D13/147  
D684,929 S 6/2013 Nook et al.  
D746,774 S \* 1/2016 Nook ..... D13/120

- D800,666 S \* 10/2017 Nook ..... D13/148
- D872,696 S \* 1/2020 Yu ..... D13/137.4
- 2013/0115804 A1 \* 5/2013 Vallon ..... H01R 13/72  
439/501
- 2014/0094046 A1 \* 4/2014 Lamb ..... H01R 13/633  
439/152

(Continued)

**OTHER PUBLICATIONS**

Powermania 10502 AC Plug Port, dated Feb. 26, 2015, [online], [site visited Mar. 11, 2020]. Available from Internet, URL: [https://www.amazon.com/PowerMania-AC-Plug-Port-BLK/dp/B008FD9UXM/ref=cm\\_cr\\_ar\\_p\\_d\\_product\\_top?ie=UTF8](https://www.amazon.com/PowerMania-AC-Plug-Port-BLK/dp/B008FD9UXM/ref=cm_cr_ar_p_d_product_top?ie=UTF8)(Year: 2015).\*

(Continued)

*Primary Examiner* — Angela J Lee  
*Assistant Examiner* — Shawn T Gingrich  
(74) *Attorney, Agent, or Firm* — Vorys, Sater, Seymour and Pease LLP; William L. Klima

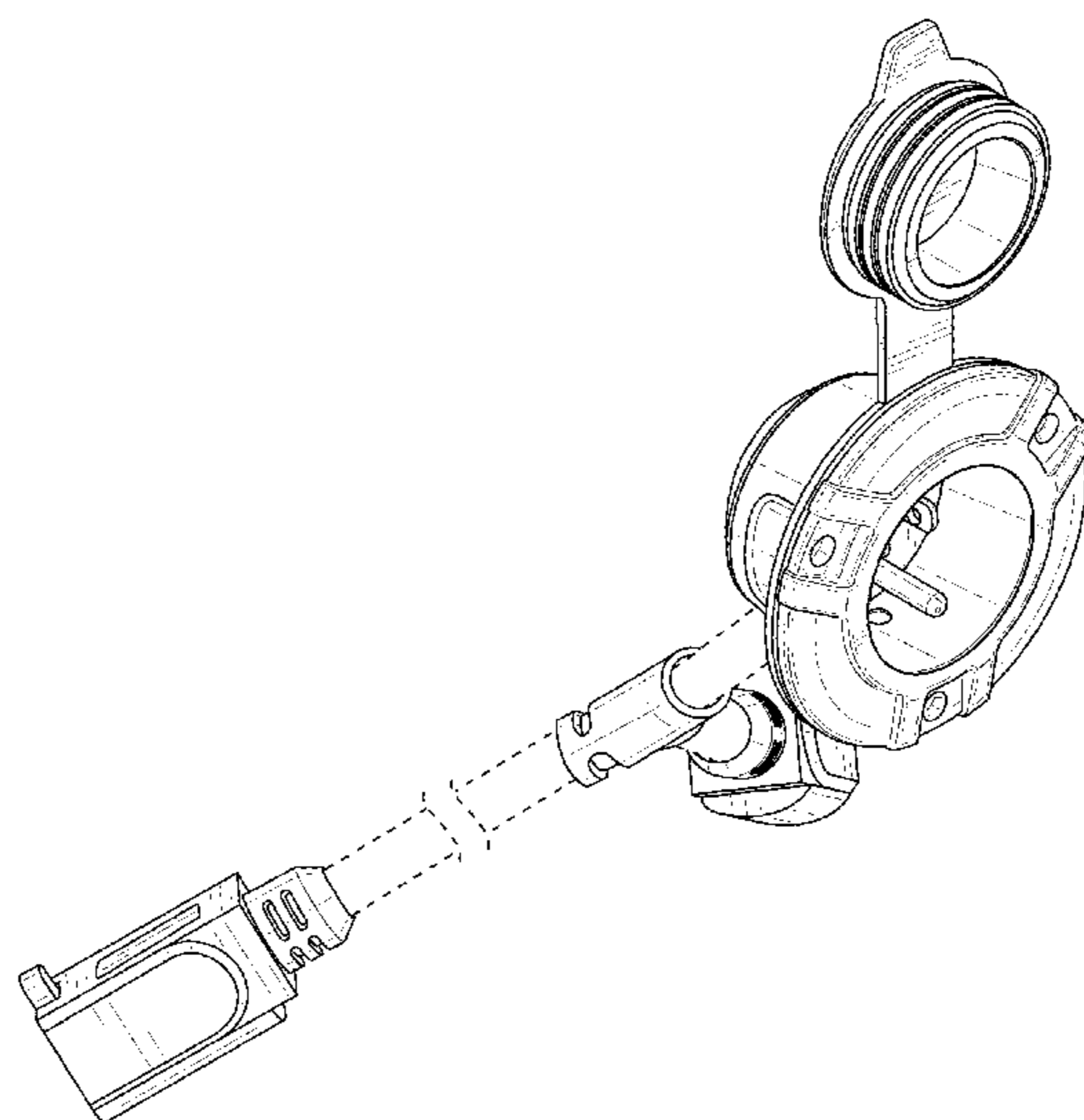
(57) **CLAIM**

The ornamental design for an electrical port, as shown and described.

**DESCRIPTION**

FIG. 1 is a perspective view of a new design for an electrical port, with the cover off;  
FIG. 2 is a front elevational view thereof;  
FIG. 3 is a rear elevational view thereof;  
FIG. 4 is a right side elevational plan view thereof;  
FIG. 5 is a left side elevational plan view thereof;  
FIG. 6 is a top plan view thereof;  
FIG. 7 is a bottom plan view thereof; and,  
FIG. 8 is another perspective view of a new design for an electrical port, with the cover on.  
The broken lines shown in the drawings depict environmental structure or portions of the article that form no part of the claimed design.

**1 Claim, 8 Drawing Sheets**



(56)

**References Cited**

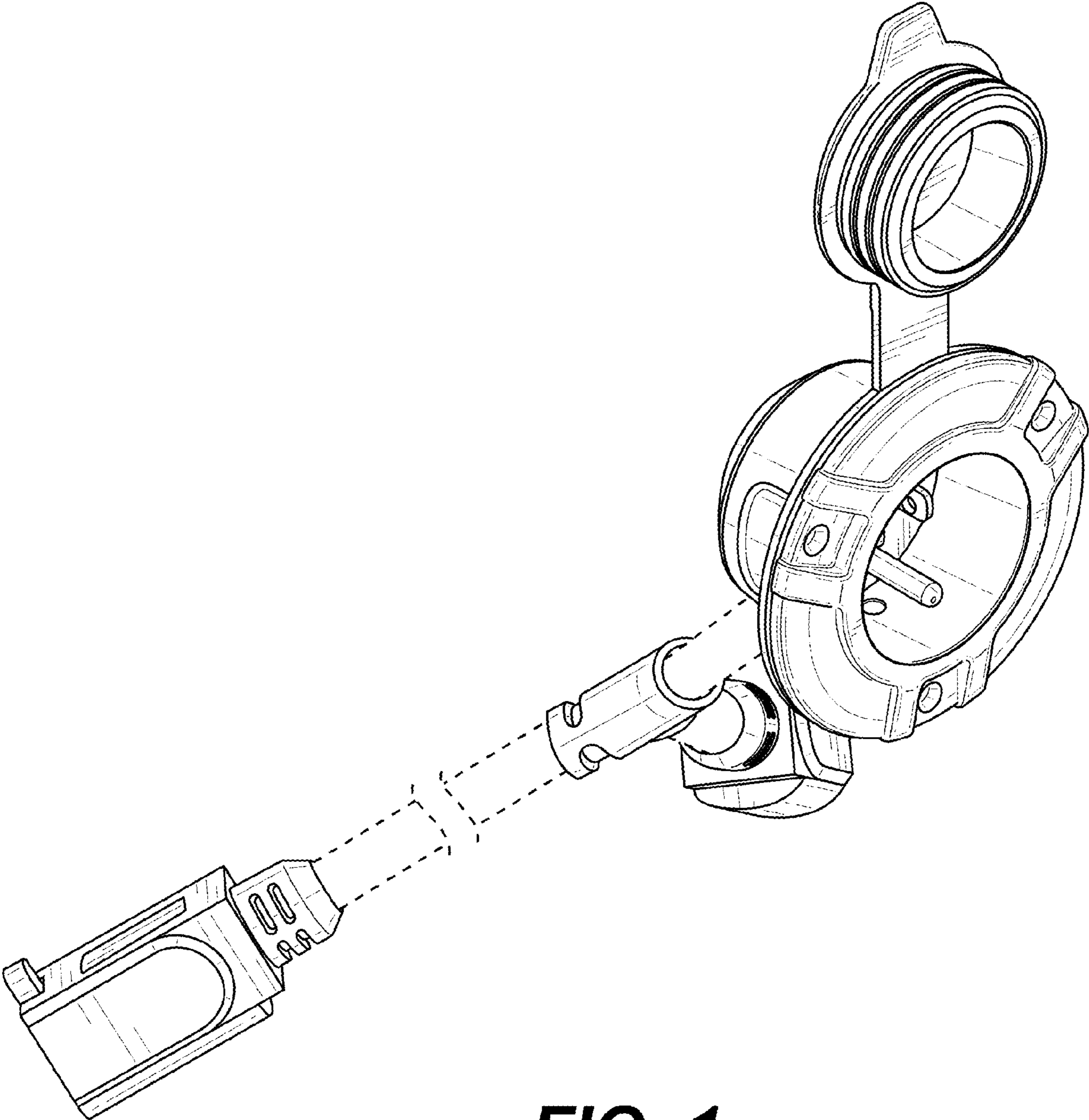
U.S. PATENT DOCUMENTS

2015/0132983 A1\* 5/2015 Daly ..... H01R 13/625  
439/332  
2017/0288335 A1\* 10/2017 Hsu ..... G02B 6/3816  
2019/0148868 A1\* 5/2019 Pierce-Jones ..... H01R 13/5216

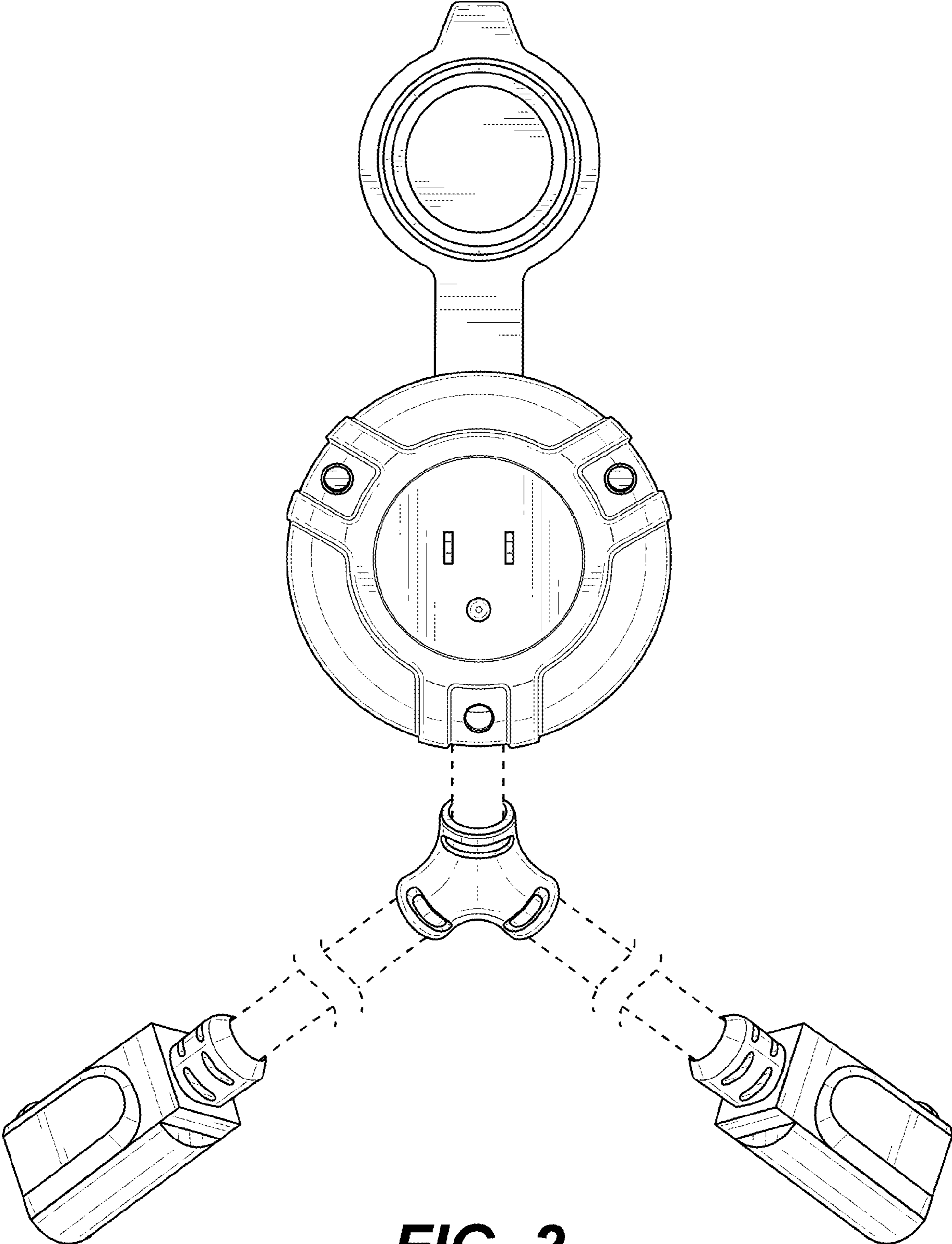
OTHER PUBLICATIONS

AC Port Plug With 16 Inch Extension Cord, dated Aug. 20, 2018,  
[online], [site visited Mar. 11, 2020]. Available from Internet, URL:  
<https://no.co/gcpl> (Year: 2018).\*

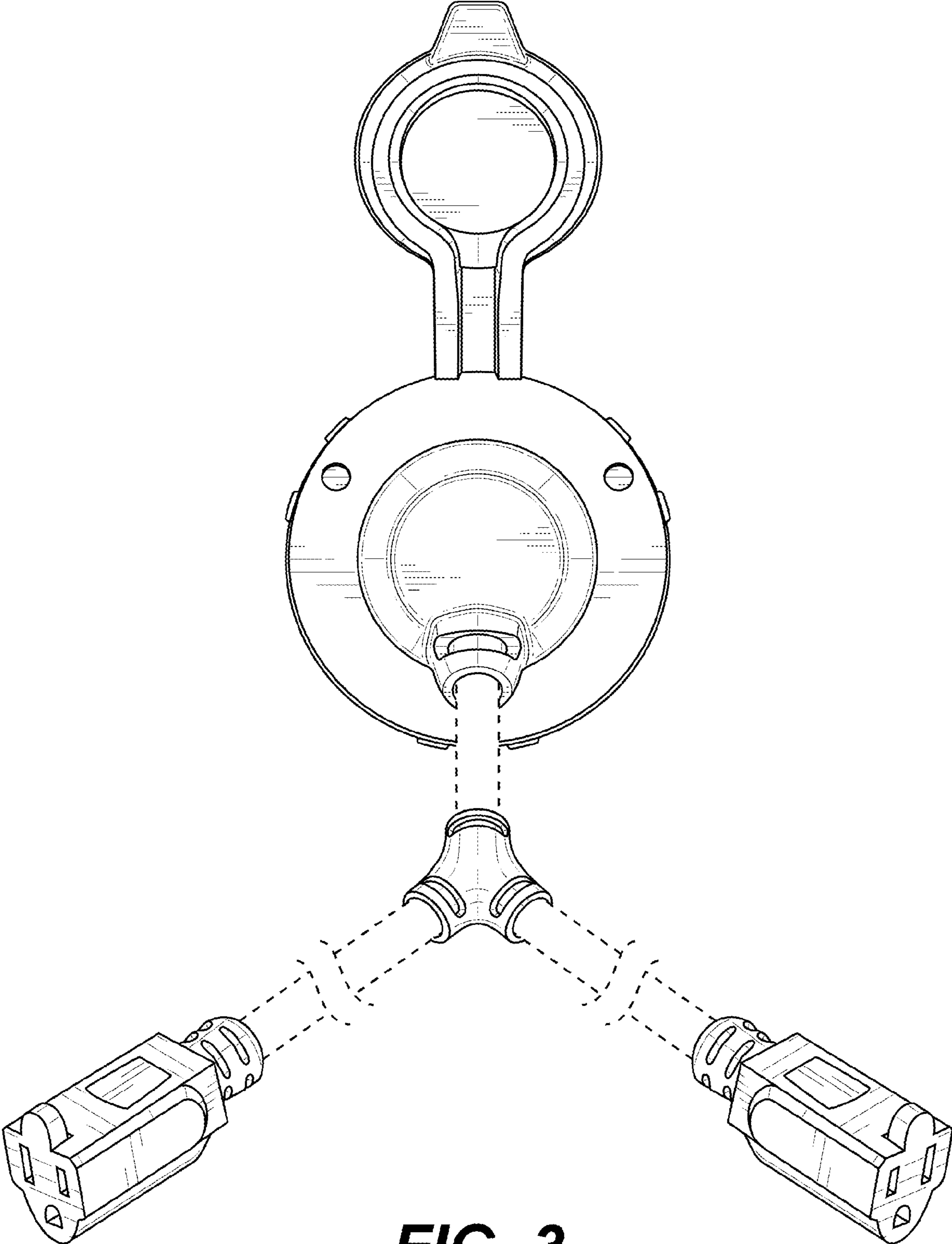
\* cited by examiner



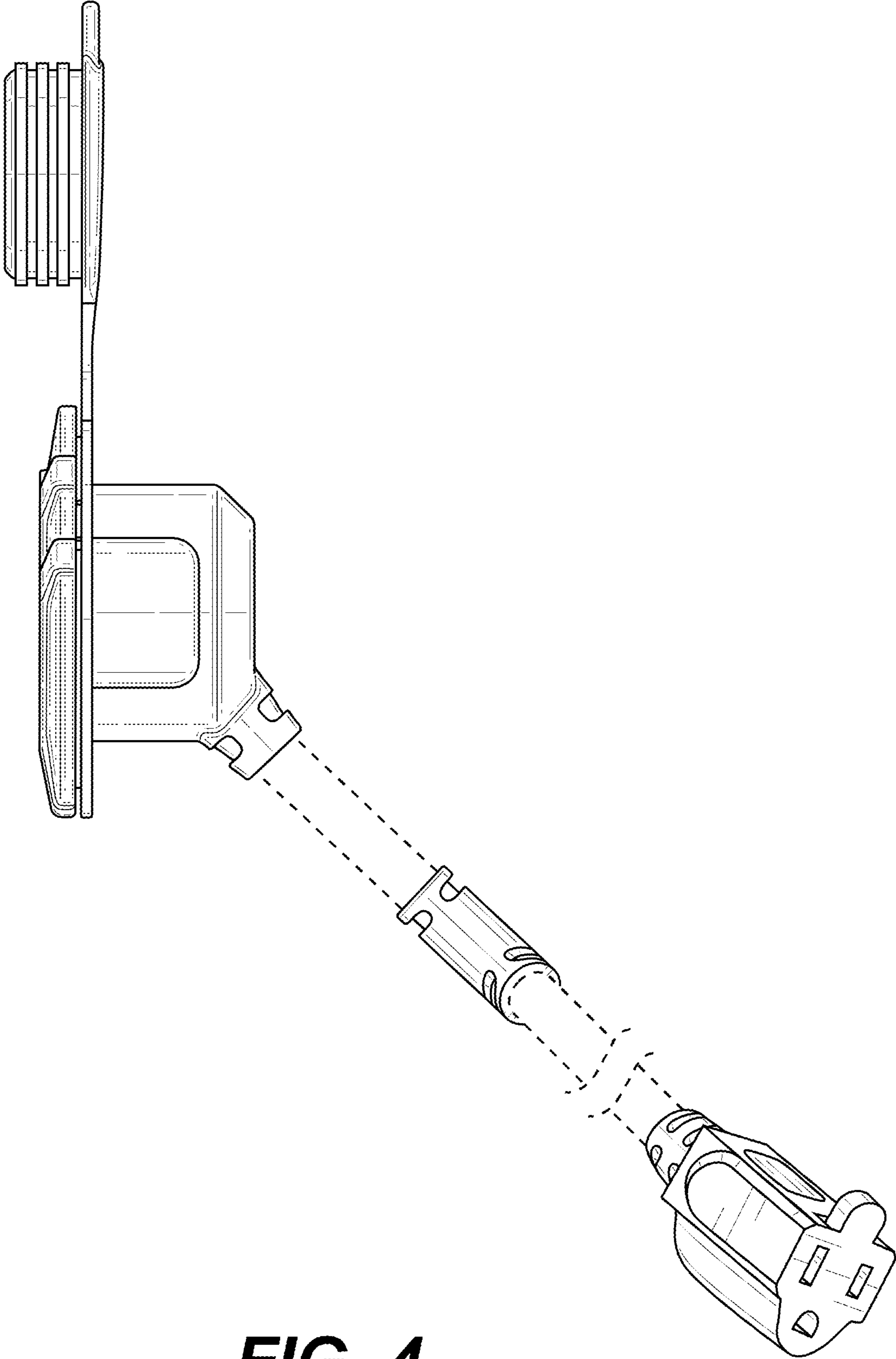
**FIG. 1**



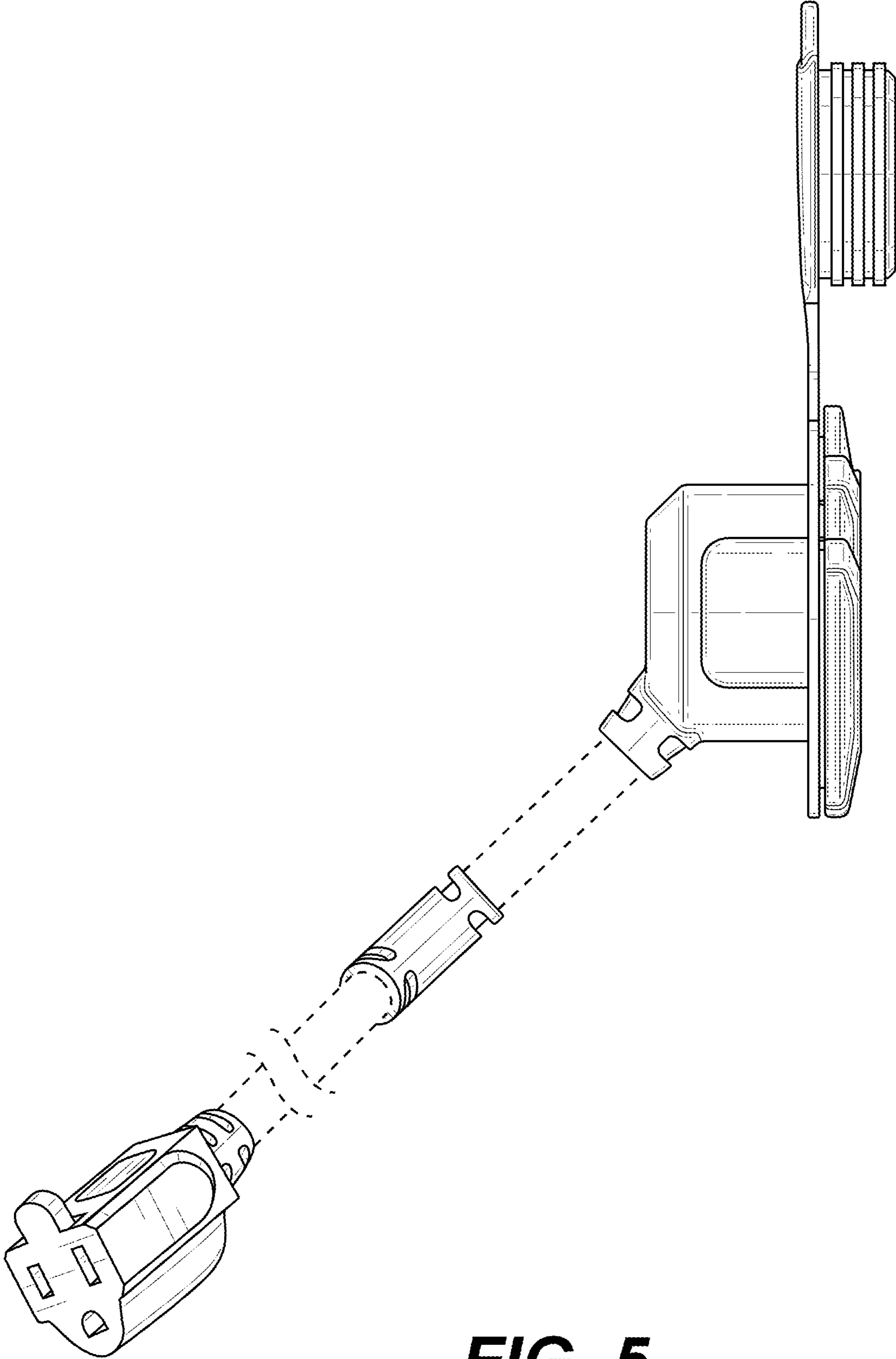
**FIG. 2**



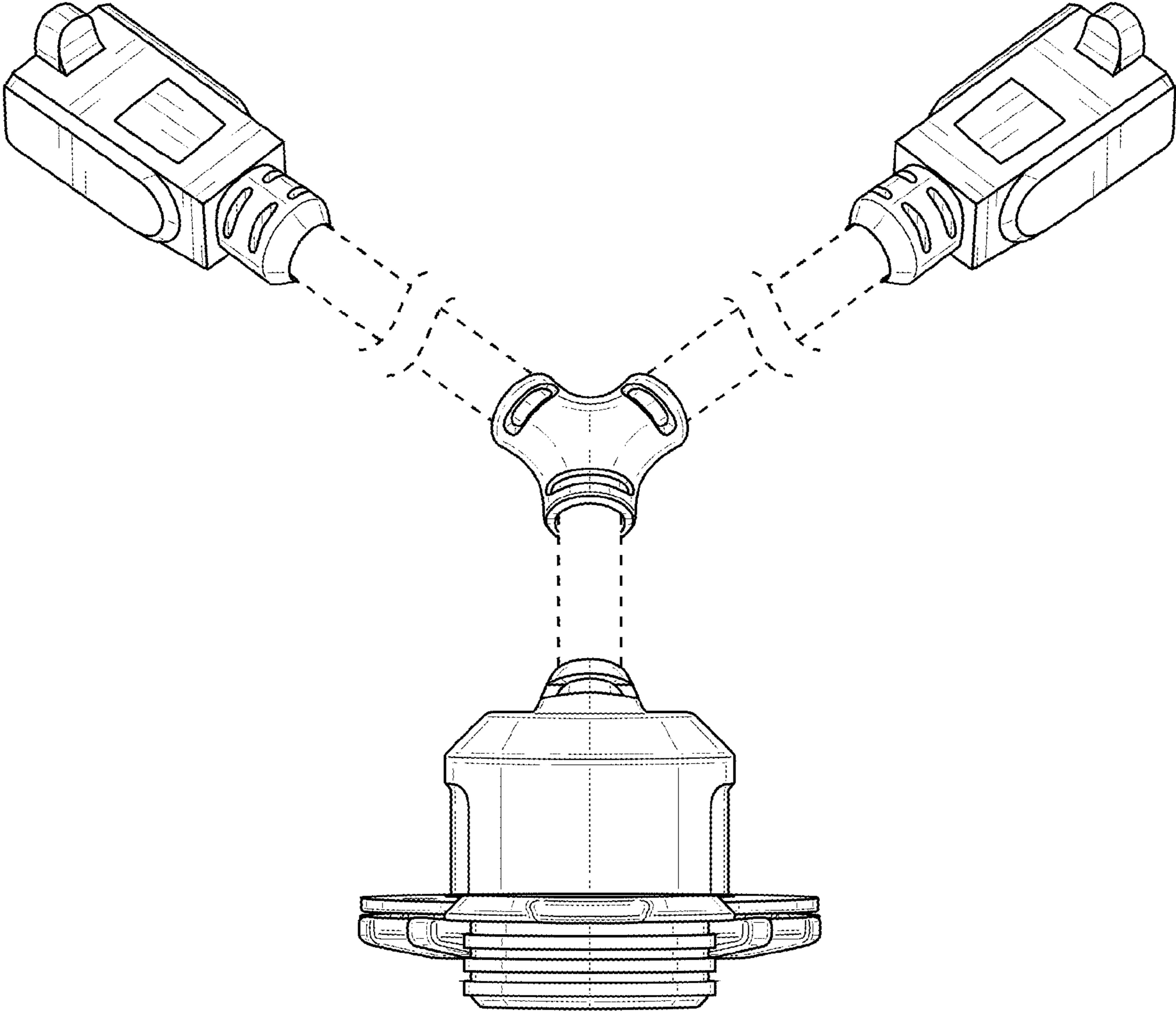
**FIG. 3**



**FIG. 4**

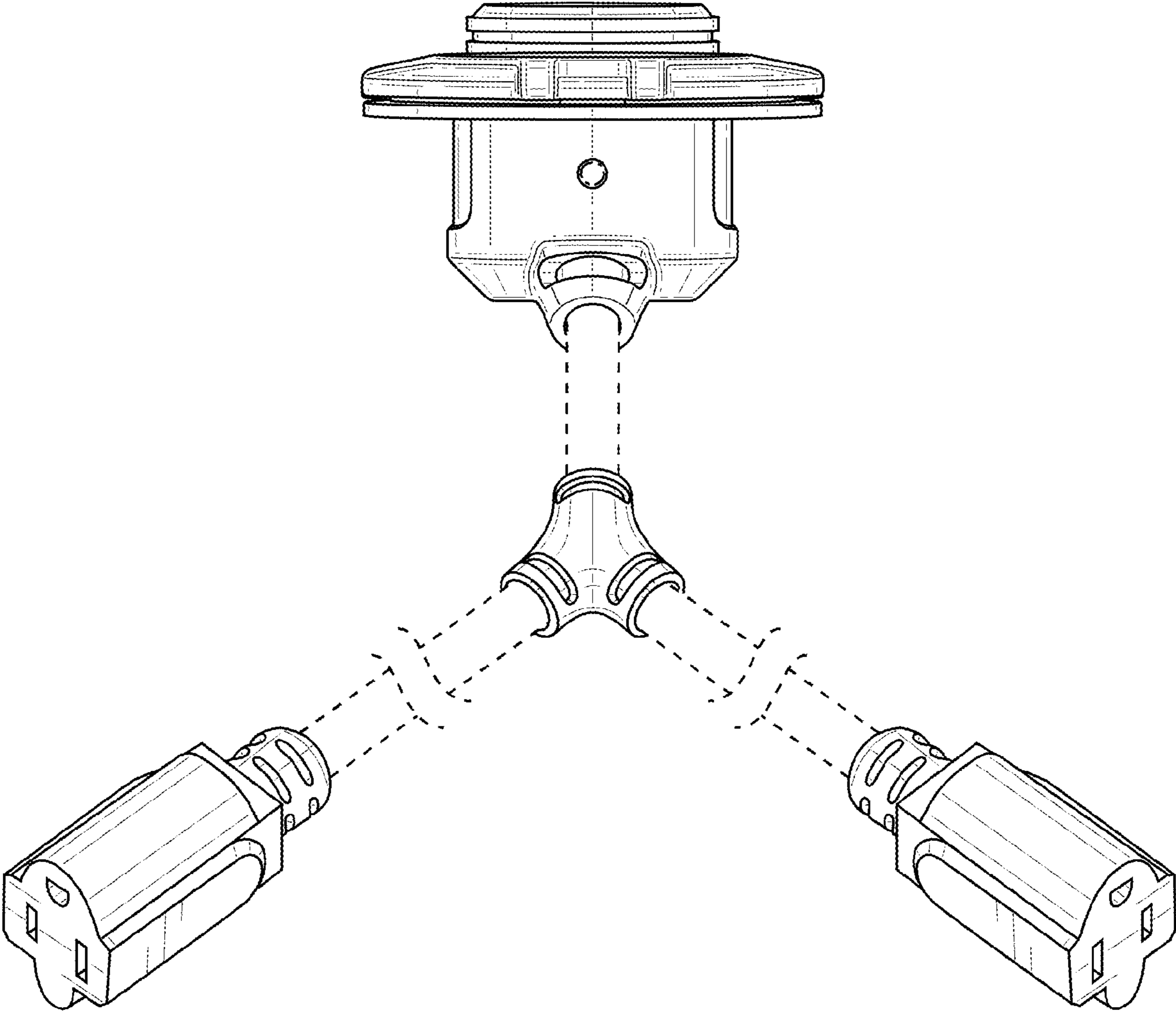


**FIG. 5**

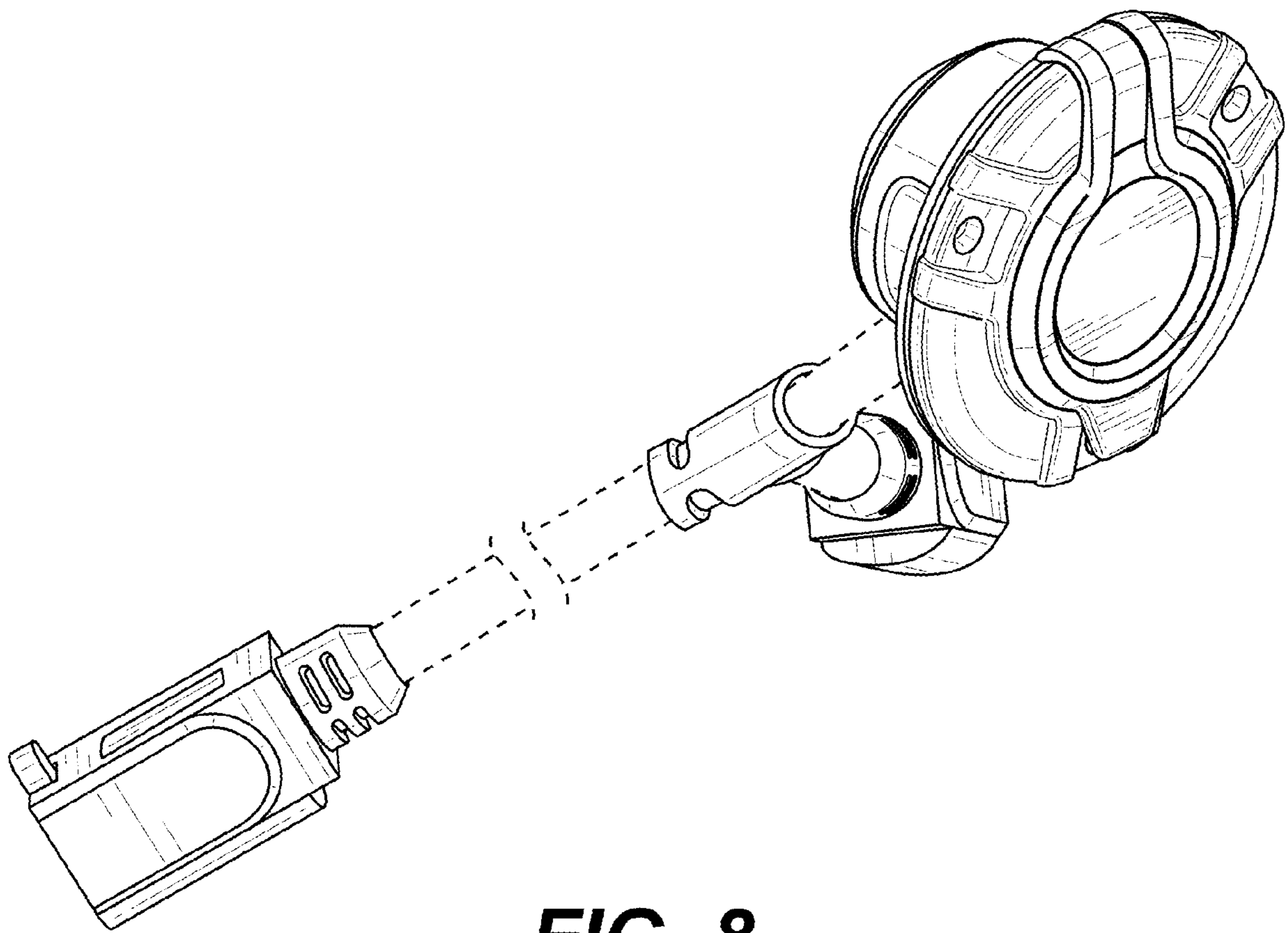


**FIG. 6**





**FIG. 7**



**FIG. 8**