

US00D900031S

(12) **United States Design Patent**
Song et al.

(10) **Patent No.:** **US D900,031 S**

(45) **Date of Patent:** **** Oct. 27, 2020**

(54) **CONNECTOR**

(71) Applicant: **OPTICIS CO., LTD.**, Seongnam-si (KR)

(72) Inventors: **Geun Han Song**, Namyangju-si (KR);
Gun Hong Lee, Seongnam-si (KR)

(73) Assignee: **OPTICIS CO., LTD.**, Seongnam-si (KR)

(**) Term: **15 Years**

(21) Appl. No.: **35/507,558**

(22) Filed: **Feb. 19, 2019**

(80) **Hague Agreement Data**

Int. Filing Date: **Feb. 19, 2019**

Int. Reg. No.: **DM/203506**

Int. Reg. Date: **Feb. 19, 2019**

Int. Reg. Pub. Date: **Oct. 25, 2019**

(30) **Foreign Application Priority Data**

Aug. 31, 2018 (KR) 30-2018-0040873

(51) **LOC (12) Cl.** **13-03**

(52) **U.S. Cl.**

USPC **D13/133**

(58) **Field of Classification Search**

USPC D13/133, 147, 108, 183, 103; D14/432,
D14/480.7, 433, 480.1, 480.5, 435.1,
D14/480.3

CPC H01R 13/629

See application file for complete search history.

(56) **References Cited**

U.S. PATENT DOCUMENTS

D541,797 S * 5/2007 Chen D14/480.3

D591,758 S * 5/2009 Lee D14/435.1

D624,012 S * 9/2010 de Medeiros D13/103
D639,303 S * 6/2011 Ni D14/480.7
D711,891 S * 8/2014 Emami D14/480.5
D722,028 S * 2/2015 Lee D13/147
9,017,092 B1 * 4/2015 McCracken H01R 13/629
439/374
D733,658 S * 7/2015 Yang D13/147
D815,600 S * 4/2018 Matsuoka D13/147
D816,025 S * 4/2018 Thompson D13/108
D828,363 S * 9/2018 Turksu D14/480.5
D829,727 S * 10/2018 Chen D14/480.1
D837,159 S * 1/2019 Untiedt D13/133
D841,595 S * 2/2019 Akana D13/147
D844,631 S * 4/2019 Roberts D14/480.5
D846,557 S * 4/2019 Ehrensvarad D14/480.1
D851,089 S * 6/2019 Sweet D14/433
D853,393 S * 7/2019 McCracken D14/433
D881,828 S * 4/2020 Zhang D13/183
D886,115 S * 6/2020 Roberts D14/480.7
D889,468 S * 7/2020 Palma Dornfeld D14/432

* cited by examiner

Primary Examiner — Rhea Shields

(74) *Attorney, Agent, or Firm* — Novick, Kim & Lee,
PLLC; Sang Ho Lee; Hyun Woo Shin

(57) **CLAIM**

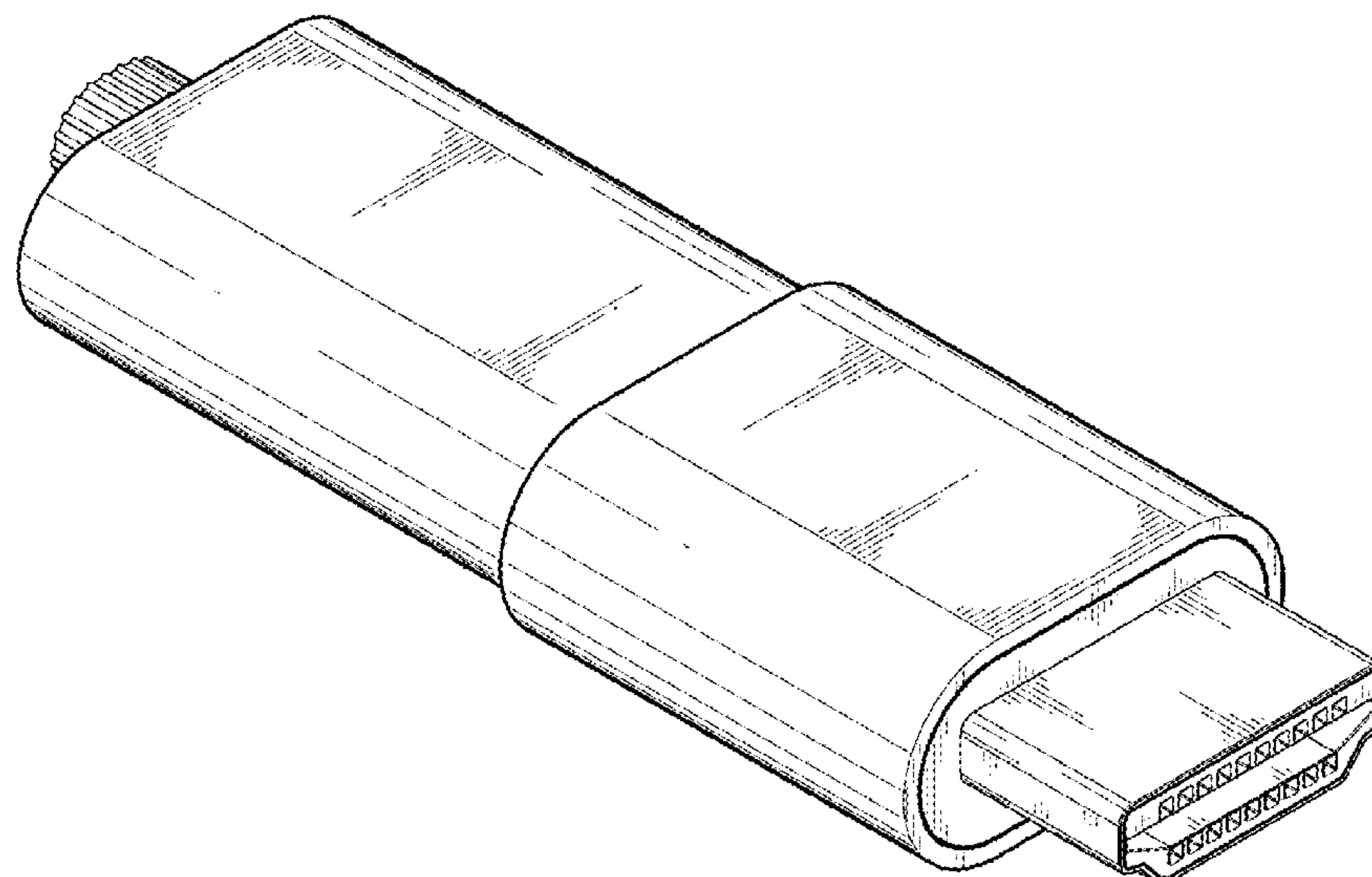
The ornamental design for a connector, as shown and described.

DESCRIPTION

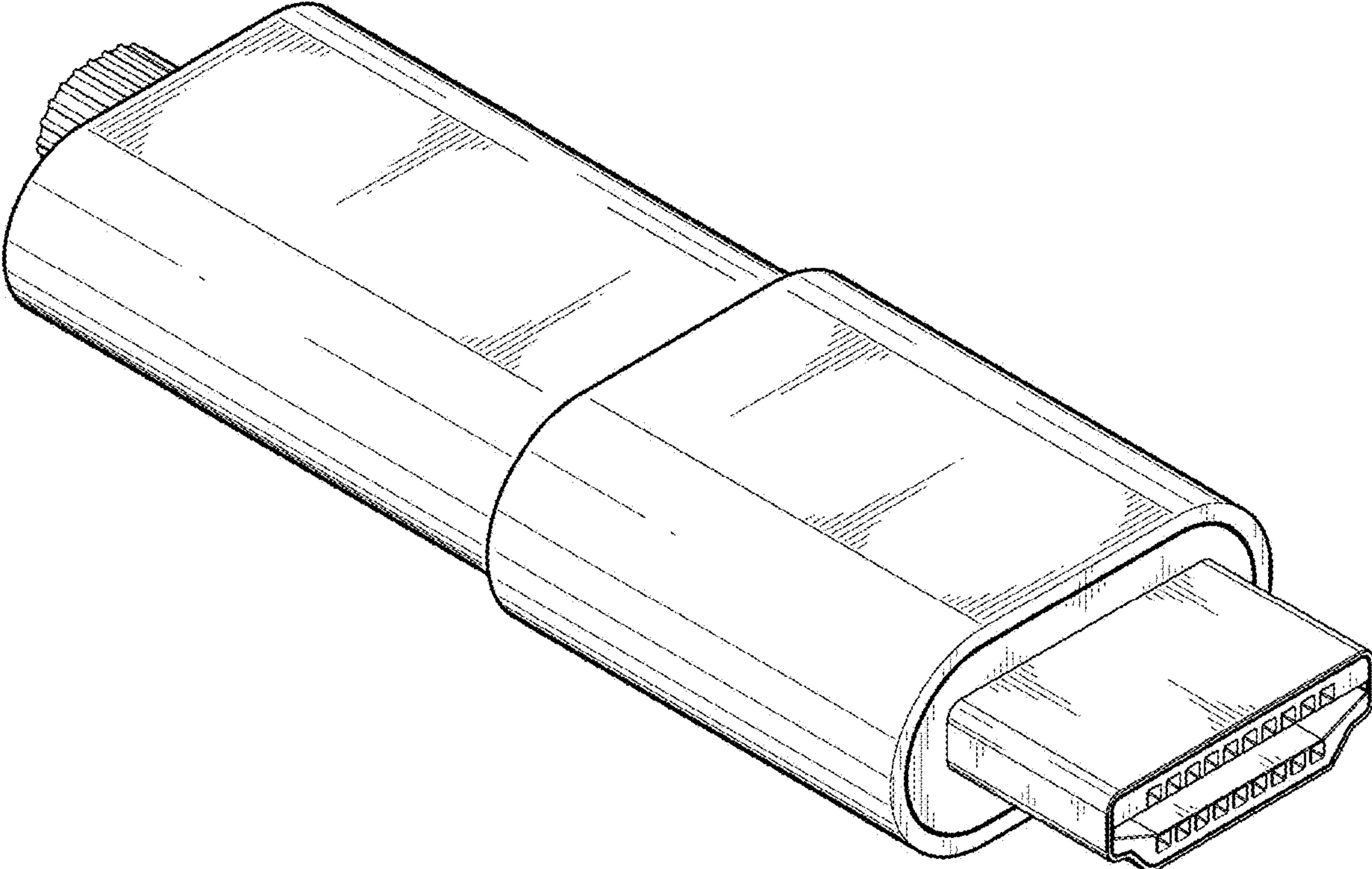
- 1. Connector
- 1.1 : Perspective
- 1.2 : Front
- 1.3 : Back
- 1.4 : Left
- 1.5 : Right
- 1.6 : Top
- 1.7 : Bottom

The present design is a connector for an optical cable; the broken line portions are shown to illustrate environment only and form no part of the claimed design.

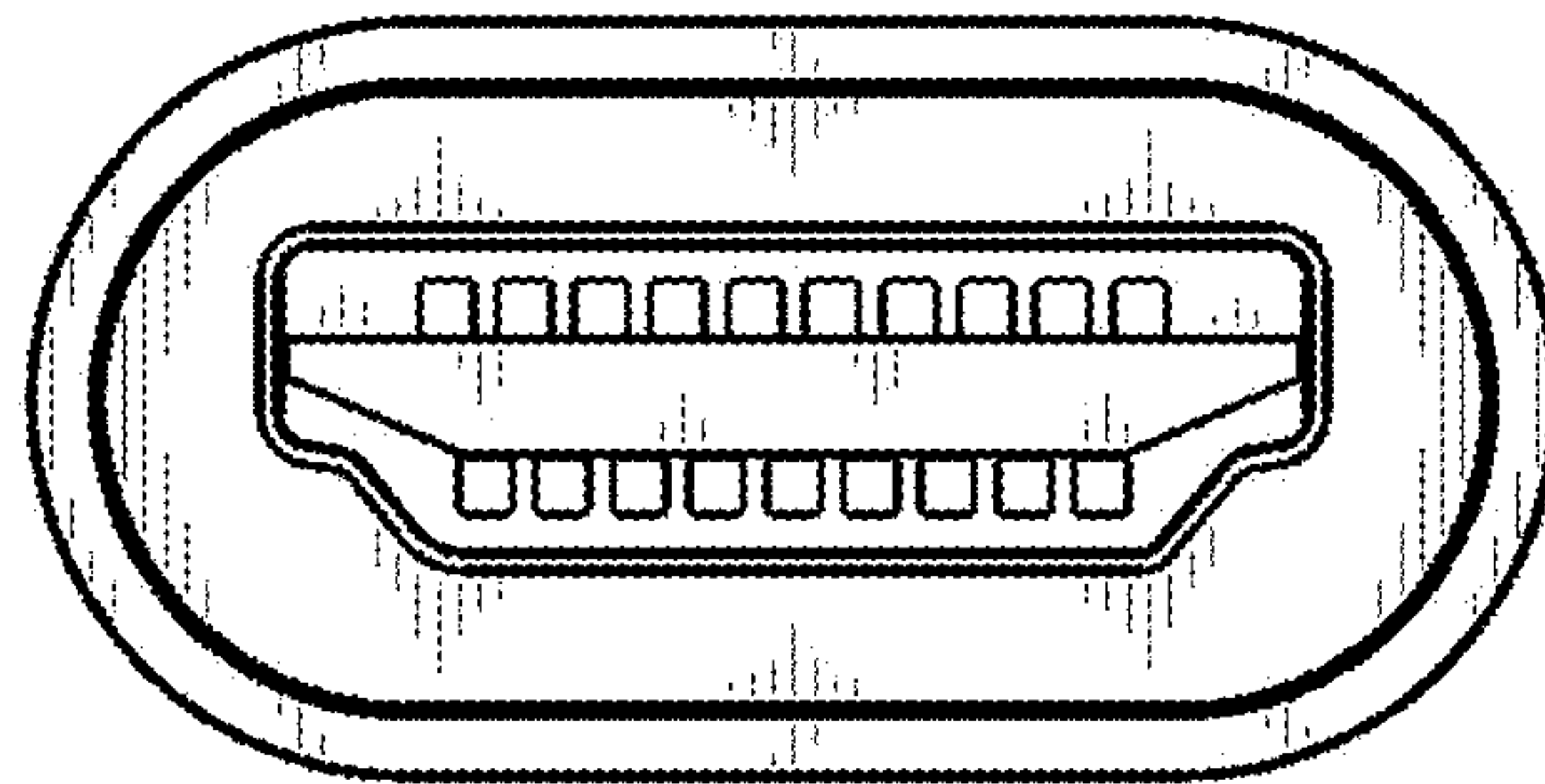
1 Claim, 7 Drawing Sheets



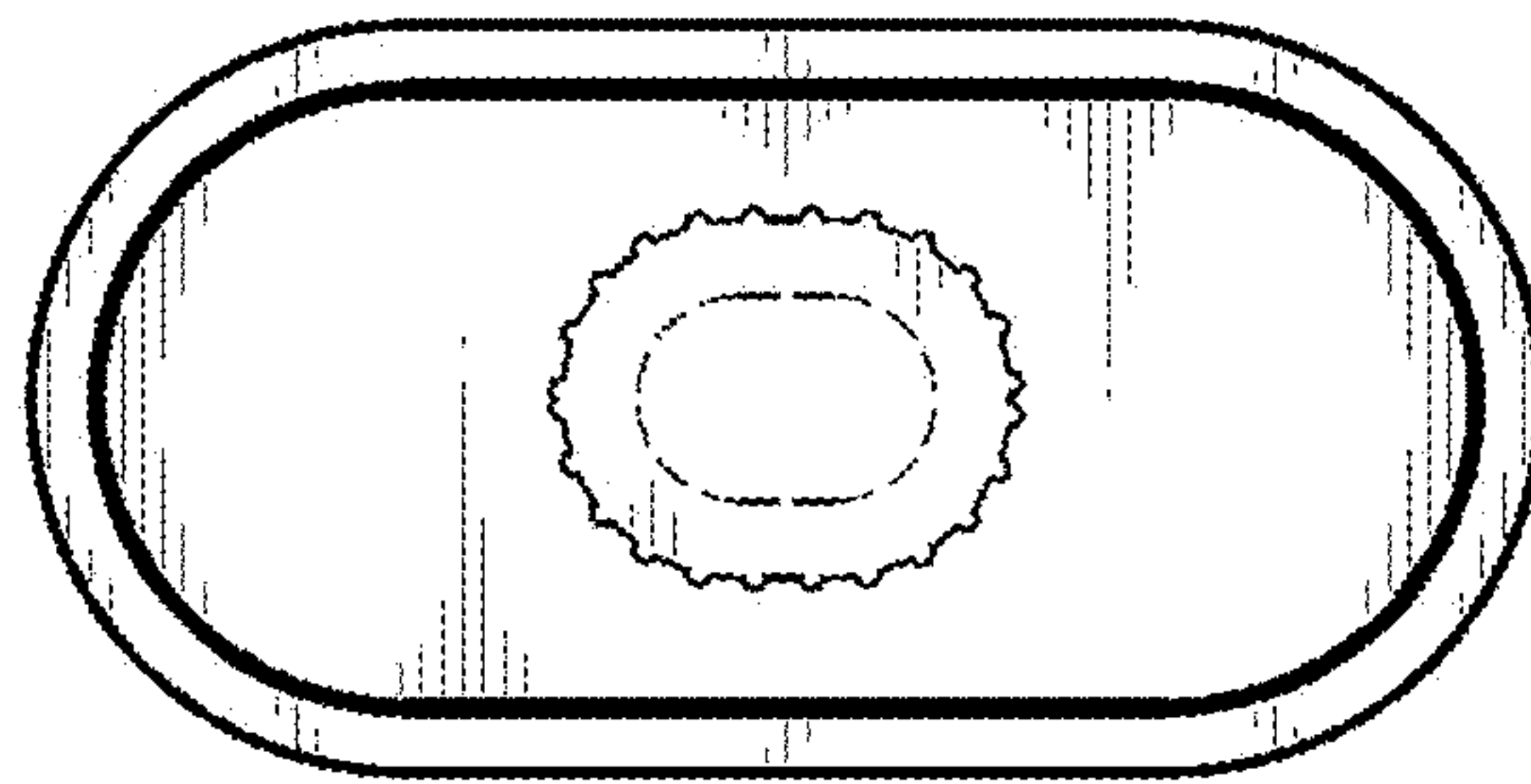
1.1



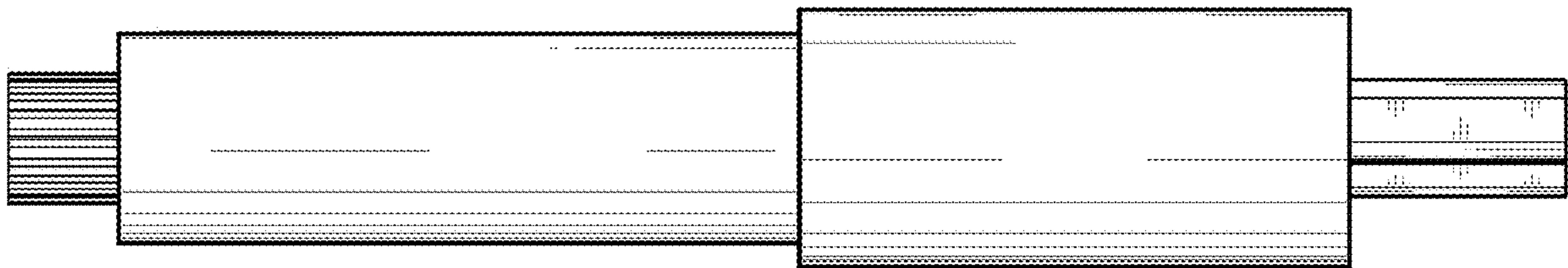
1.2



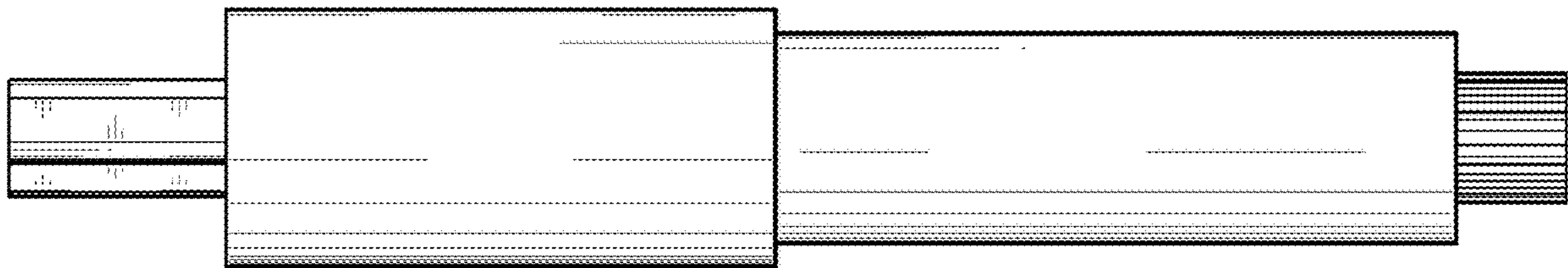
1.3



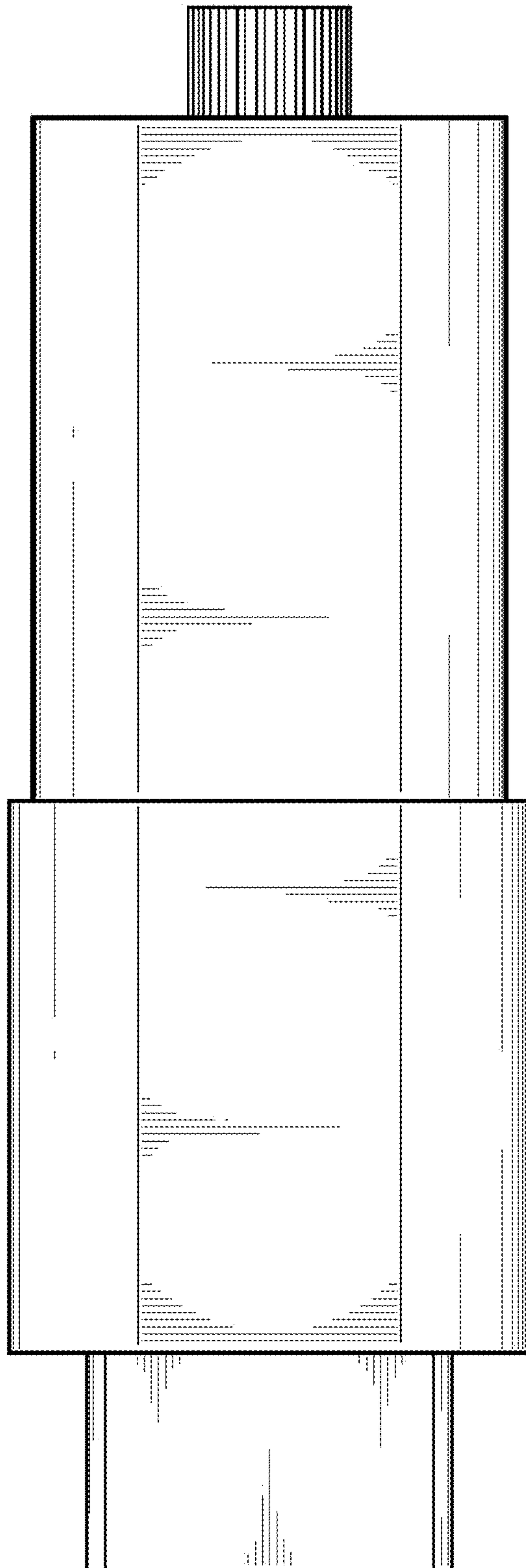
1.4



1.5



1.6



1.7

