

US00D900030S

(12) **United States Design Patent**  
**Thyagaraj et al.**

(10) **Patent No.:** **US D900,030 S**

(45) **Date of Patent:** **\*\* Oct. 27, 2020**

(54) **CONNECTOR ASSEMBLY**

(71) Applicant: **Molex, LLC**, Lisle, IL (US)

(72) Inventors: **Harsha Thyagaraj**, Bangalore (IN);  
**Pierre Perez**, Aurora, IL (US)

(73) Assignee: **Molex, LLC**, Lisle, IL (US)

(\*\*) Term: **15 Years**

(21) Appl. No.: **29/679,011**

(22) Filed: **Jan. 31, 2019**

(51) **LOC (12) Cl.** ..... **13-03**

(52) **U.S. Cl.**  
USPC ..... **D13/133; D13/147**

(58) **Field of Classification Search**  
USPC ..... **D13/133, 146, 147, 153, 154, 155, 184**  
(Continued)

(56) **References Cited**

**U.S. PATENT DOCUMENTS**

5,169,336 A \* 12/1992 Taguchi ..... H01R 13/64  
439/354  
5,876,230 A \* 3/1999 Nishide ..... H01R 13/6272  
439/352

(Continued)

**FOREIGN PATENT DOCUMENTS**

CN 304893087 11/2018  
JP D1557857 9/2016

(Continued)

*Primary Examiner* — Karen E Kearney

*Assistant Examiner* — Michael Chong

(74) *Attorney, Agent, or Firm* — Banner & Witcoff, Ltd.

(57) **CLAIM**

The ornamental design for a connector assembly, as shown and described.

**DESCRIPTION**

FIG. 1 is a front perspective view of a connector assembly showing our new design;

FIG. 2 is a rear perspective view thereof;

FIG. 3 is a front view thereof;

FIG. 4 is a rear view thereof;

FIG. 5 is a right side view thereof;

FIG. 6 is a left side view thereof;

FIG. 7 is a top view thereof;

FIG. 8 is a bottom view thereof;

FIG. 9 is a front perspective view of an alternate embodiment of the connector assembly showing our new design;

FIG. 10 is a rear perspective view thereof;

FIG. 11 is a front view thereof;

FIG. 12 is a rear view thereof;

FIG. 13 is a right side view thereof;

FIG. 14 is a left side view thereof;

FIG. 15 is a top view thereof;

FIG. 16 is a bottom view thereof;

FIG. 17 is a front perspective view of an alternate embodiment of the connector assembly showing our new design;

FIG. 18 is a rear perspective view thereof;

FIG. 19 is a front view thereof;

FIG. 20 is a rear view thereof;

FIG. 21 is a right side view thereof;

FIG. 22 is a left side view thereof;

FIG. 23 is a top view thereof;

FIG. 24 is a bottom view thereof;

FIG. 25 is a front perspective view of an alternate embodiment of the connector assembly showing our new design;

FIG. 26 is a rear perspective view thereof;

FIG. 27 is a front view thereof;

FIG. 28 is a rear view thereof;

FIG. 29 is a right side view thereof;

FIG. 30 is a left side view thereof;

FIG. 31 is a top view thereof;

FIG. 32 is a bottom view thereof;

FIG. 33 is a front perspective view of an alternate embodiment of the connector assembly showing our new design;

FIG. 34 is a rear perspective view thereof;

FIG. 35 is a front view thereof;

FIG. 36 is a rear view thereof;

FIG. 37 is a right side view thereof;

FIG. 38 is a left side view thereof;

FIG. 39 is a top view thereof;

FIG. 40 is a bottom view thereof;

(Continued)

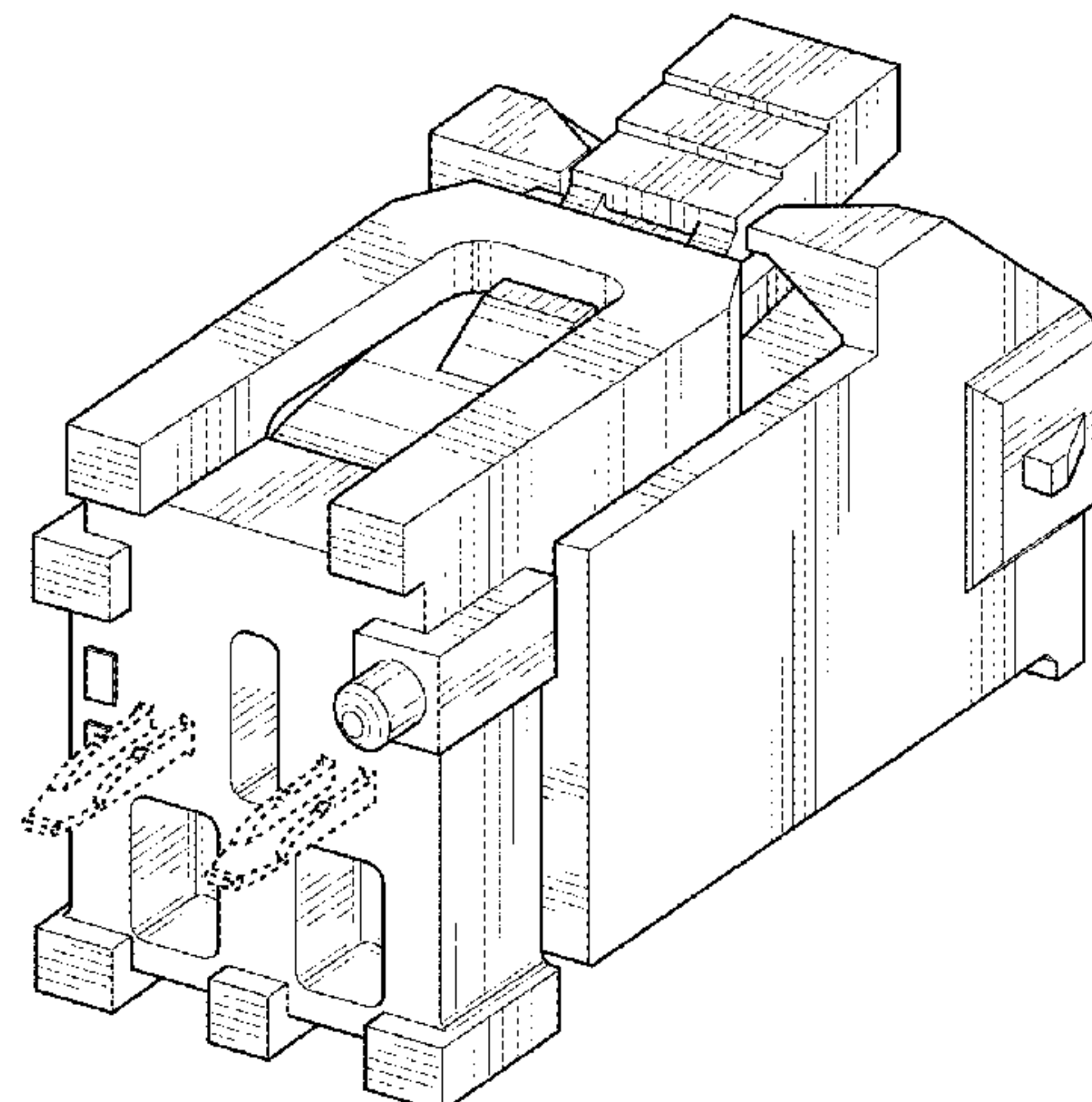
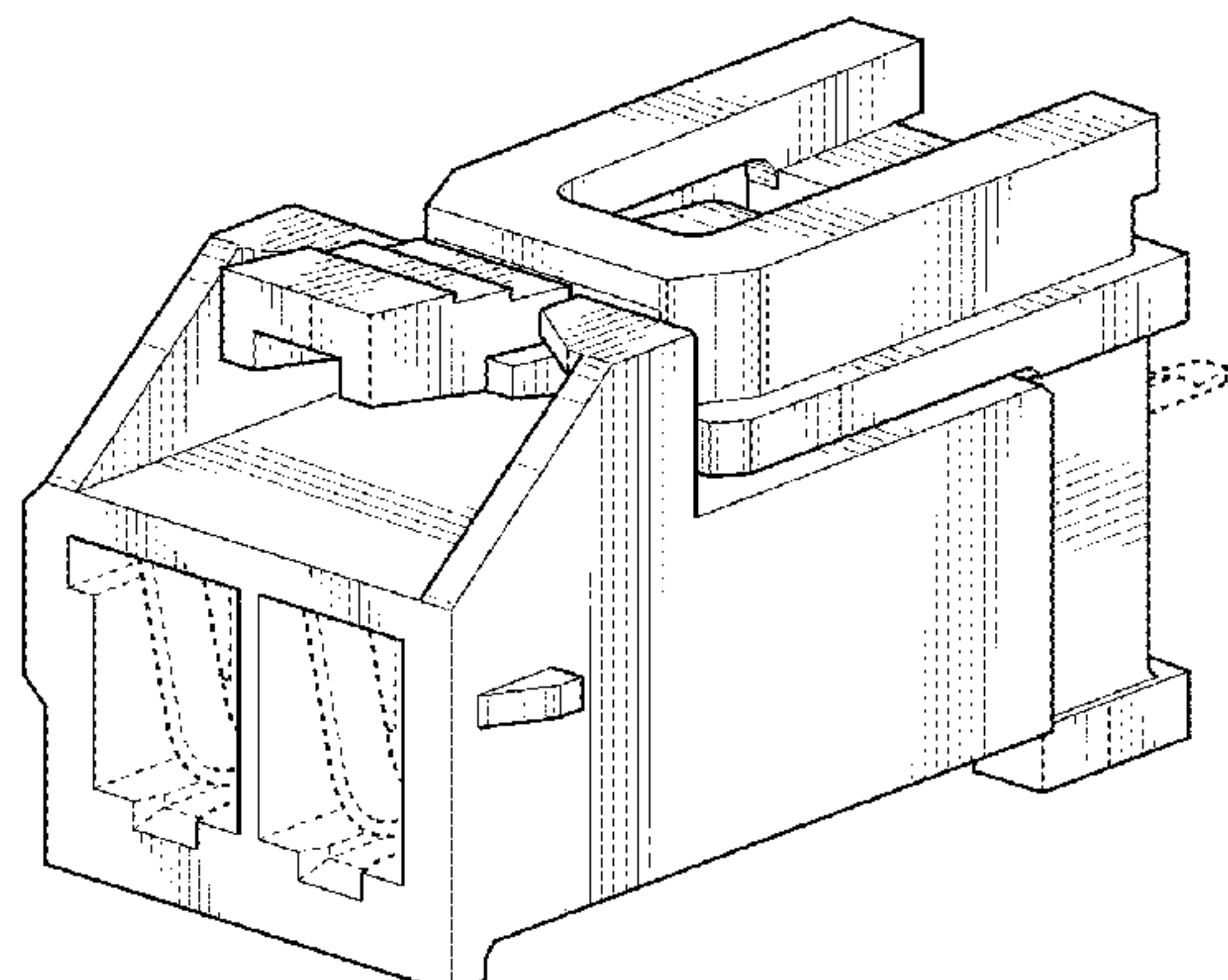


FIG. 41 is a front perspective view of an alternate embodiment of a connector assembly which is a mirror image of the connector assembly adaptor of FIGS. 1-8;  
 FIG. 42 is a front view thereof;  
 FIG. 43 is a rear view thereof;  
 FIG. 44 is a right side view thereof;  
 FIG. 45 is a left side view thereof;  
 FIG. 46 is a top view thereof;  
 FIG. 47 is a bottom view thereof;  
 FIG. 48 is a front perspective view of an alternate embodiment of a connector assembly which is a mirror image of the connector assembly adaptor of FIGS. 9-16;  
 FIG. 49 is a front view thereof;  
 FIG. 50 is a rear view thereof;  
 FIG. 51 is a right side view thereof;  
 FIG. 52 is a left side view thereof;  
 FIG. 53 is a top view thereof;  
 FIG. 54 is a bottom view thereof;  
 FIG. 55 is a front perspective view of an alternate embodiment of a connector assembly which is a mirror image of the connector assembly adaptor of FIGS. 17-24;  
 FIG. 56 is a front view thereof;  
 FIG. 57 is a rear view thereof;  
 FIG. 58 is a right side view thereof;  
 FIG. 59 is a left side view thereof;  
 FIG. 60 is a top view thereof;  
 FIG. 61 is a bottom view thereof;  
 FIG. 62 is a front perspective view of an alternate embodiment of a connector assembly which is a mirror image of the connector assembly adaptor of FIGS. 25-32;  
 FIG. 63 is a front view thereof;  
 FIG. 64 is a rear view thereof;  
 FIG. 65 is a right side view thereof;  
 FIG. 66 is a left side view thereof;  
 FIG. 67 is a top view thereof;  
 FIG. 68 is a bottom view thereof;  
 FIG. 69 is a front perspective view of an alternate embodiment of a connector assembly which is a mirror image of the connector assembly adaptor of FIGS. 33-40;

FIG. 70 is a front view thereof;  
 FIG. 71 is a rear view thereof;  
 FIG. 72 is a right side view thereof;  
 FIG. 73 is a left side view thereof;  
 FIG. 74 is a top view thereof; and,  
 FIG. 75 is a bottom view thereof.  
 The broken lines depicting the remainder of the connector assembly show features that form no part of the claimed design.

**1 Claim, 70 Drawing Sheets**

(58) **Field of Classification Search**  
 CPC .... H01R 13/02; H01R 13/436; H01R 13/502;  
 H01R 13/504; H01R 13/506; H01R  
 13/58; H01R 13/627; H01R 13/6315;  
 H01R 13/6586; H01R 13/62; H01R  
 13/64; H01R 13/641  
 See application file for complete search history.

(56) **References Cited**

U.S. PATENT DOCUMENTS

6,241,547	B1 *	6/2001	Fukuda .....	H01R 13/641 439/352
D791,705	S *	7/2017	Li .....	D13/147
D791,706	S *	7/2017	Li .....	D13/147
D791,707	S *	7/2017	Li .....	D13/147
D792,851	S *	7/2017	Li .....	D13/147
D792,852	S *	7/2017	Li .....	D13/147
D792,853	S *	7/2017	Li .....	D13/147
D802,538	S *	11/2017	Li .....	D13/147
10,461,458	B2 *	10/2019	Kim .....	H01R 13/4362

FOREIGN PATENT DOCUMENTS

TW	D195134	1/2019
WO	D207799-010	* 5/2020
WO	D207799-013	* 5/2020

\* cited by examiner



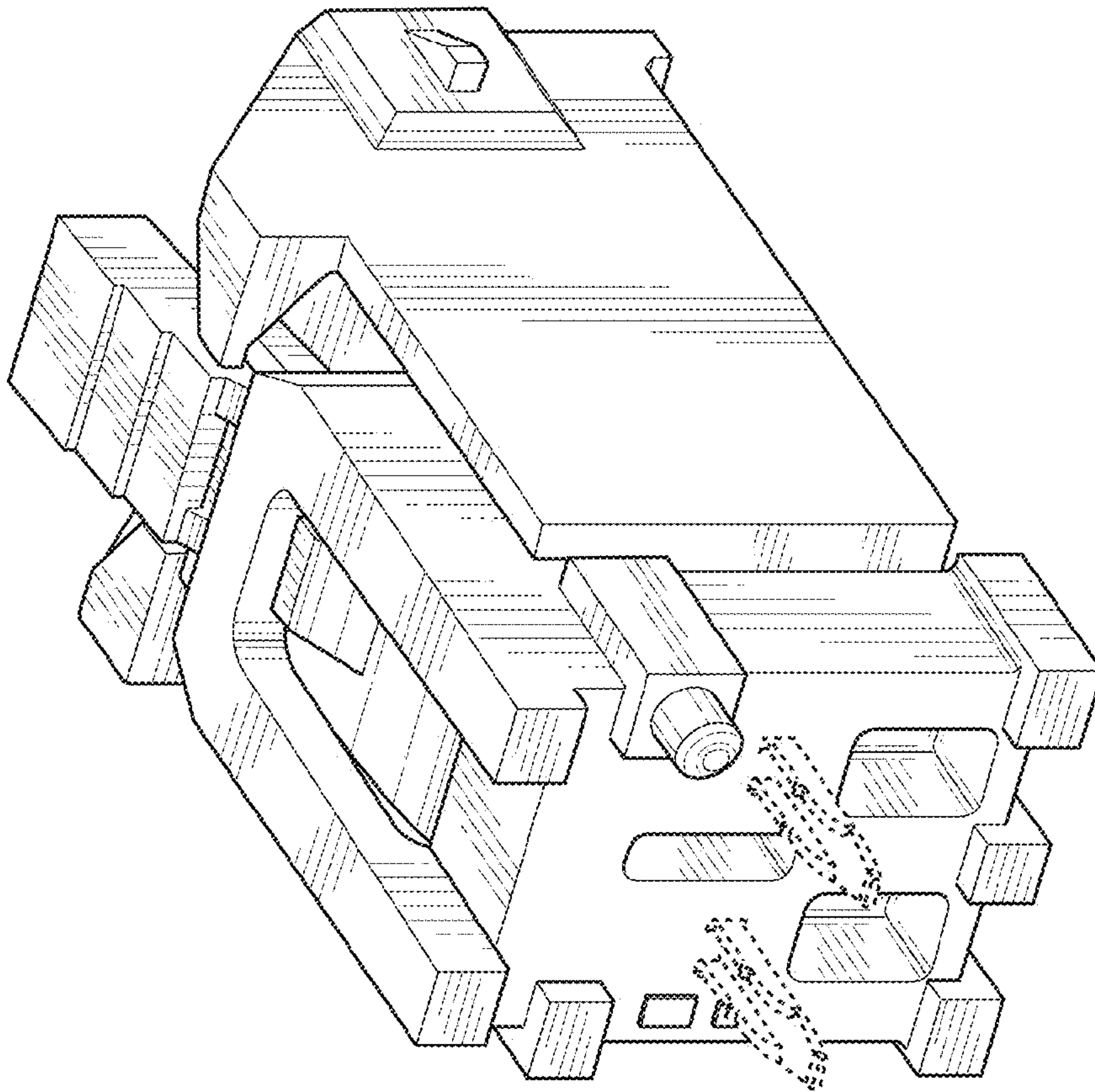


FIG. 2

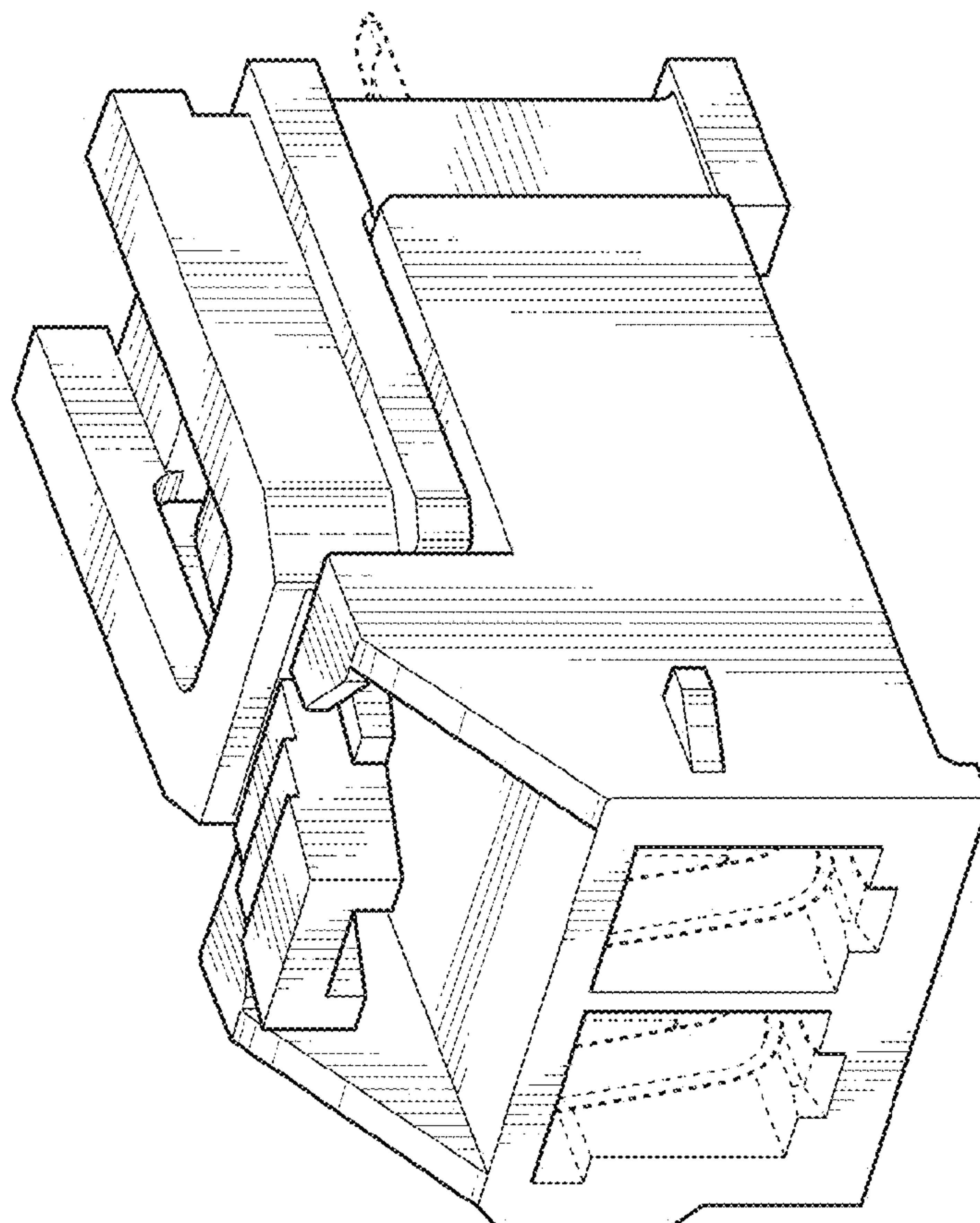


FIG. 1

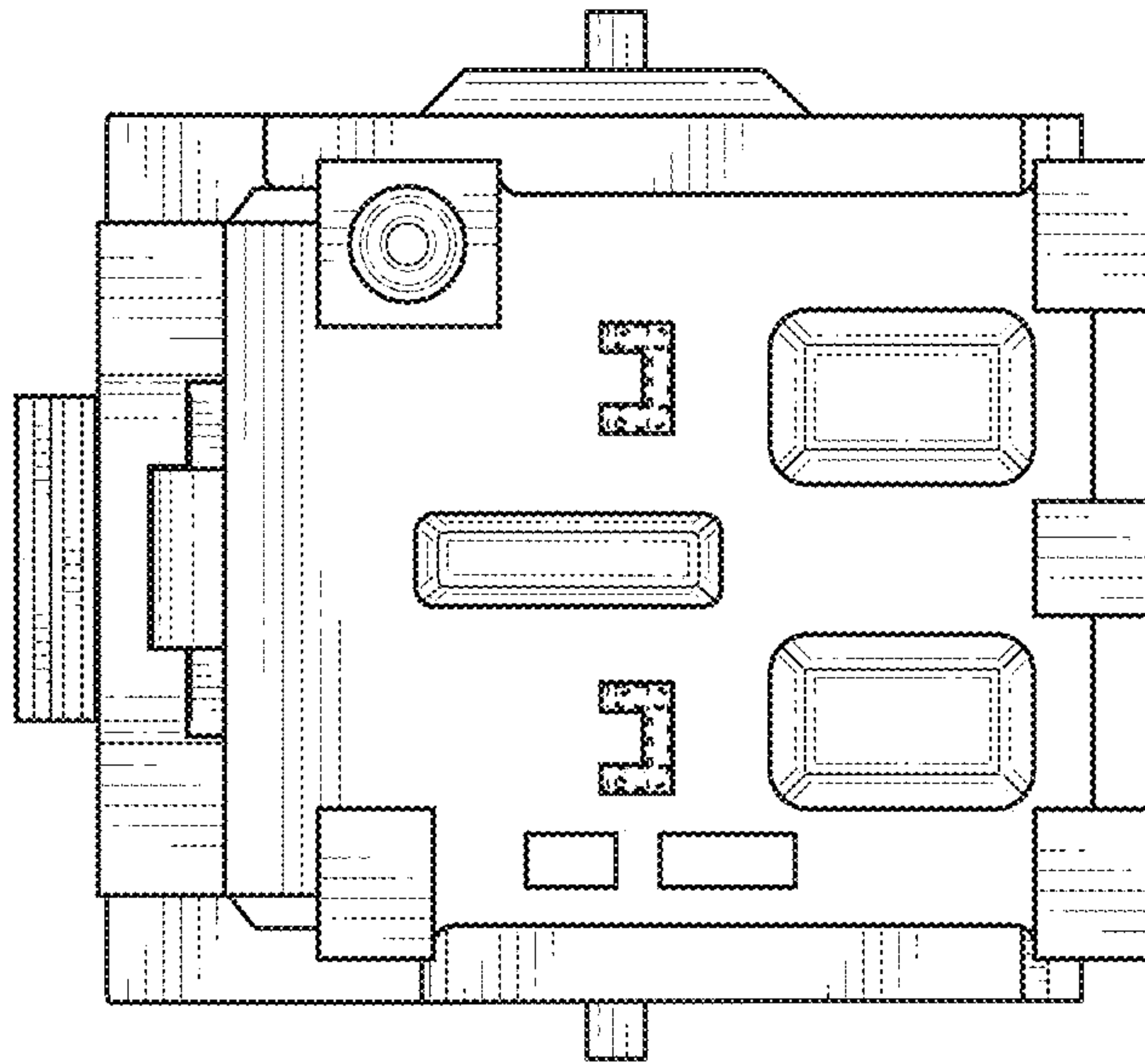


FIG. 4

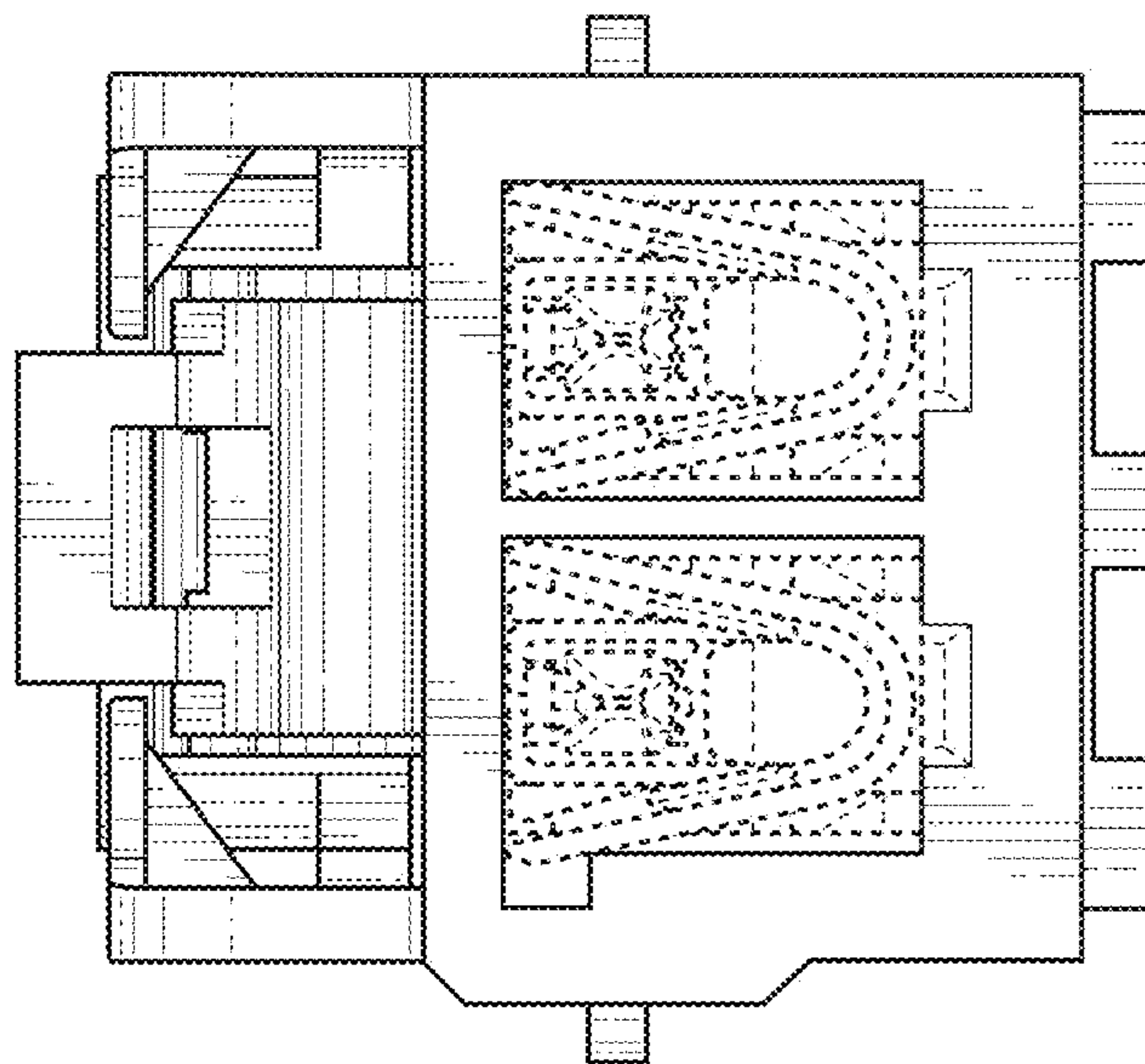


FIG. 3

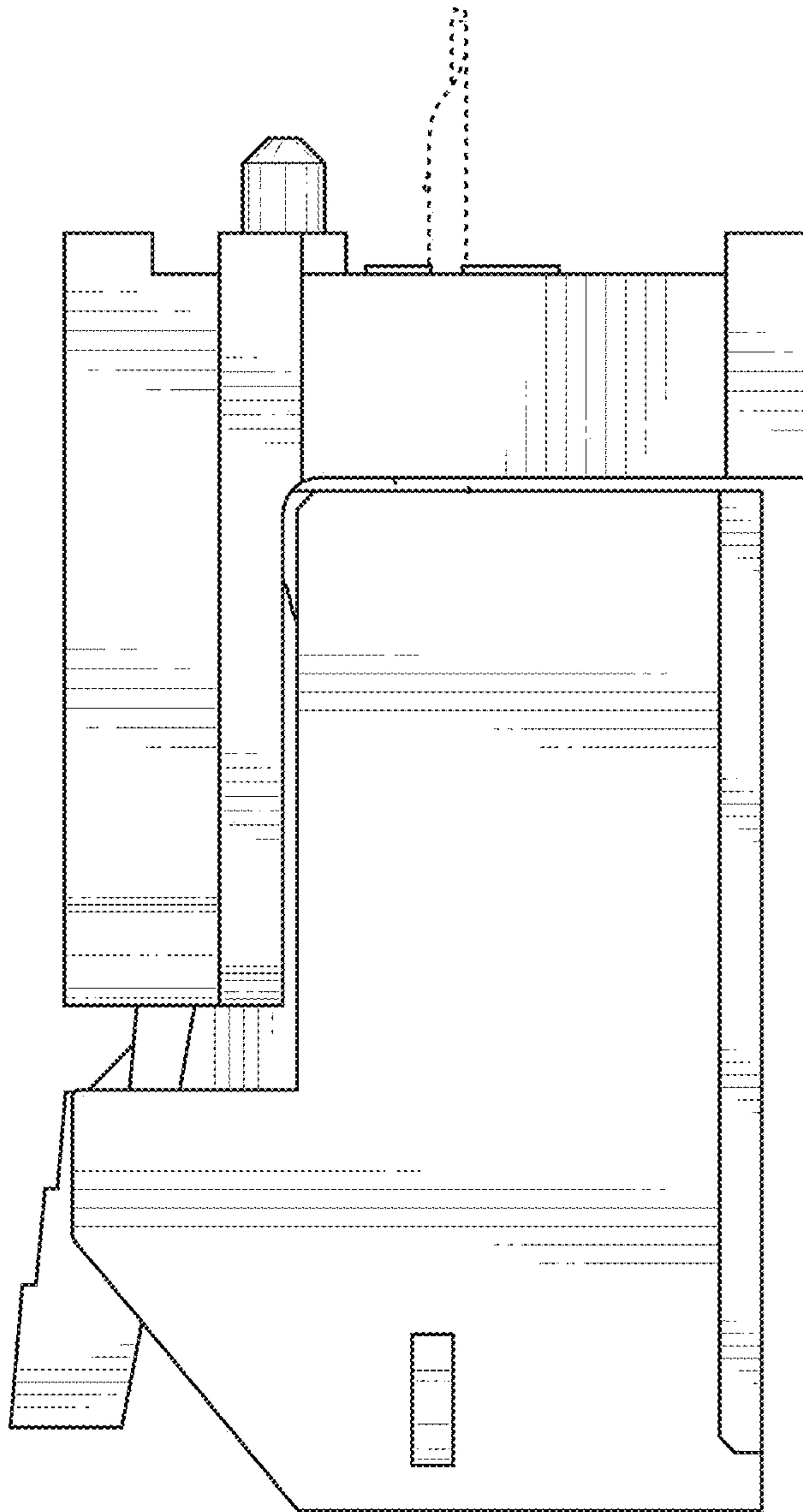


FIG. 5

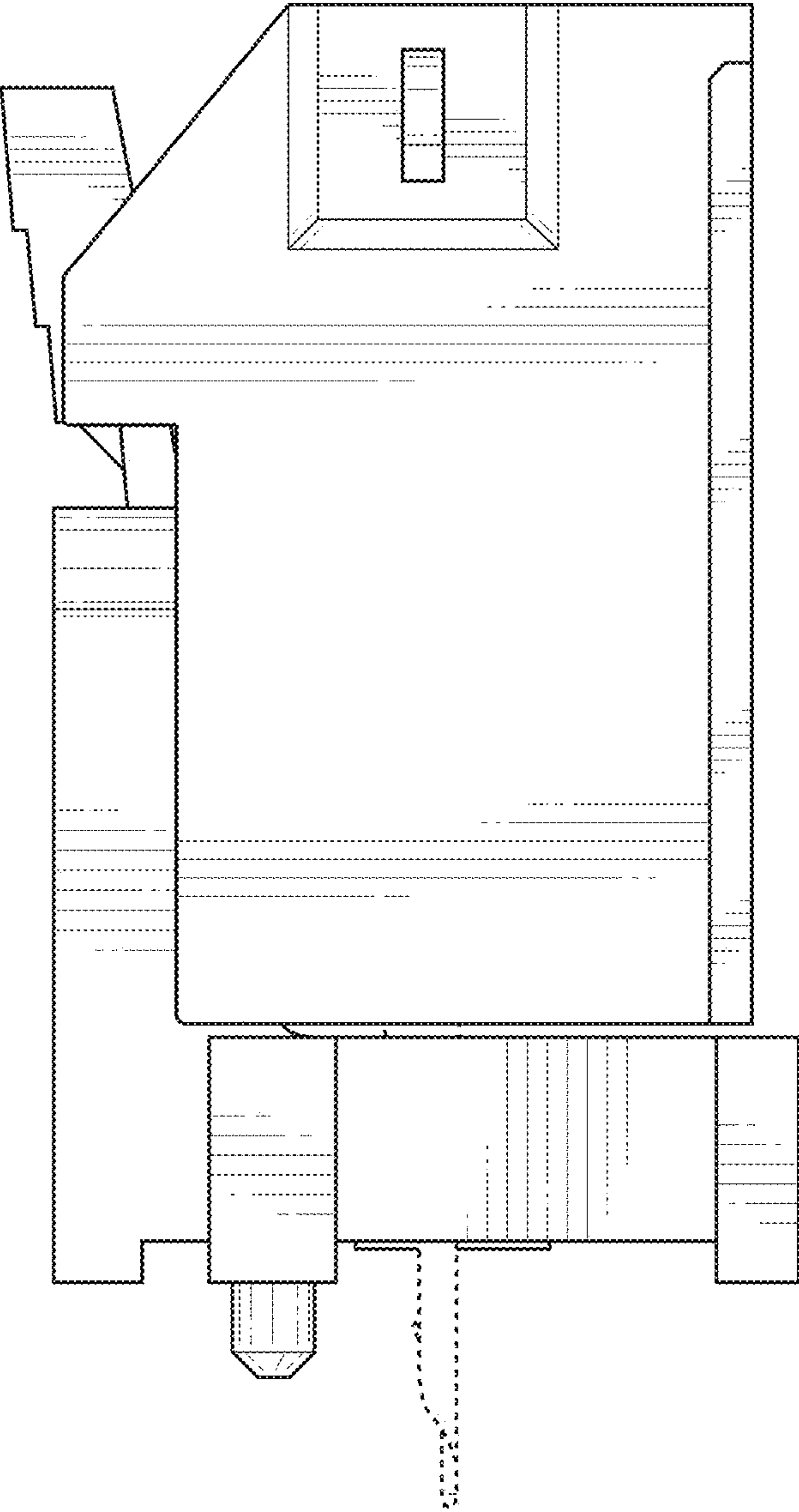


FIG. 6

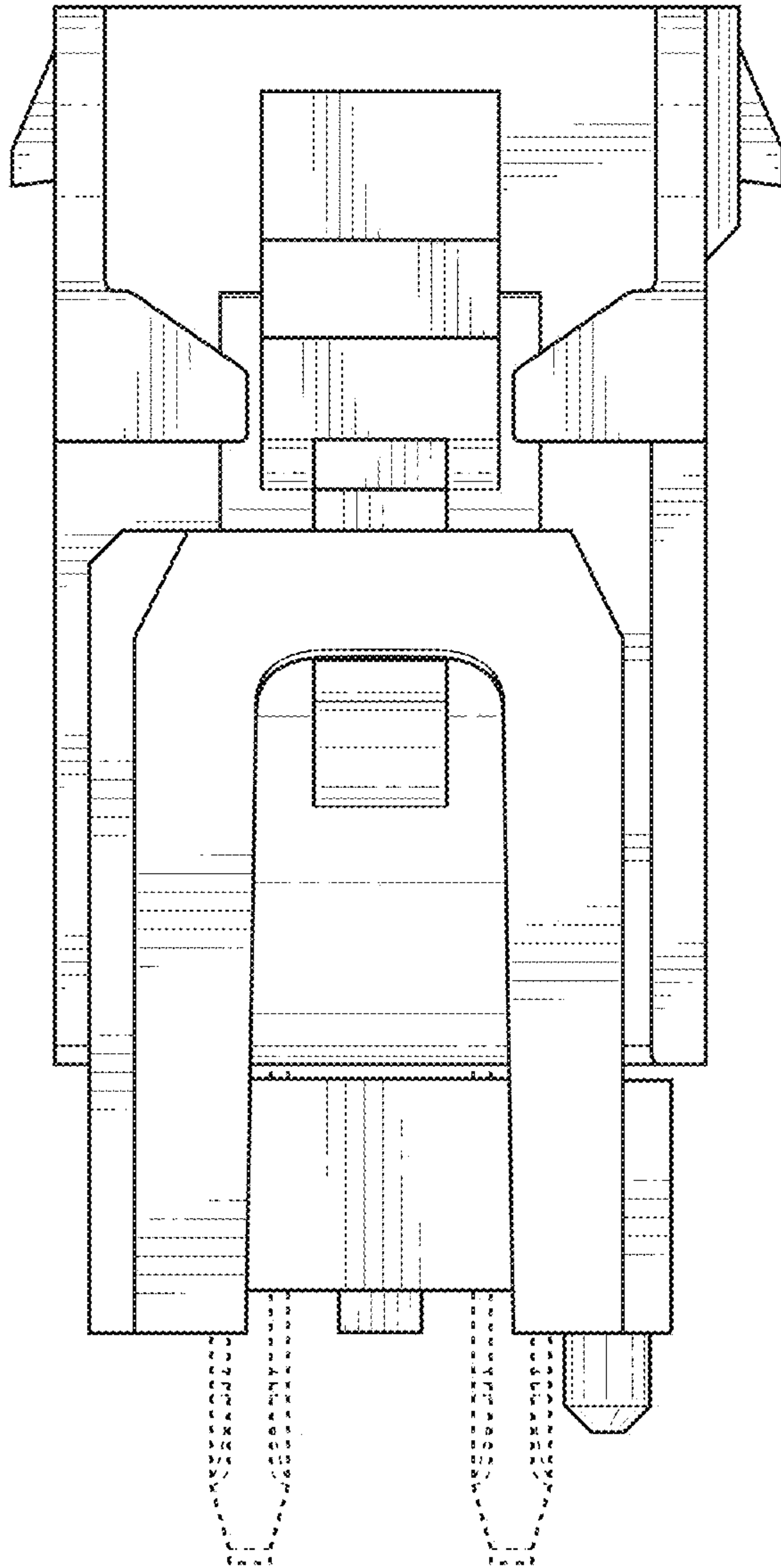


FIG. 7

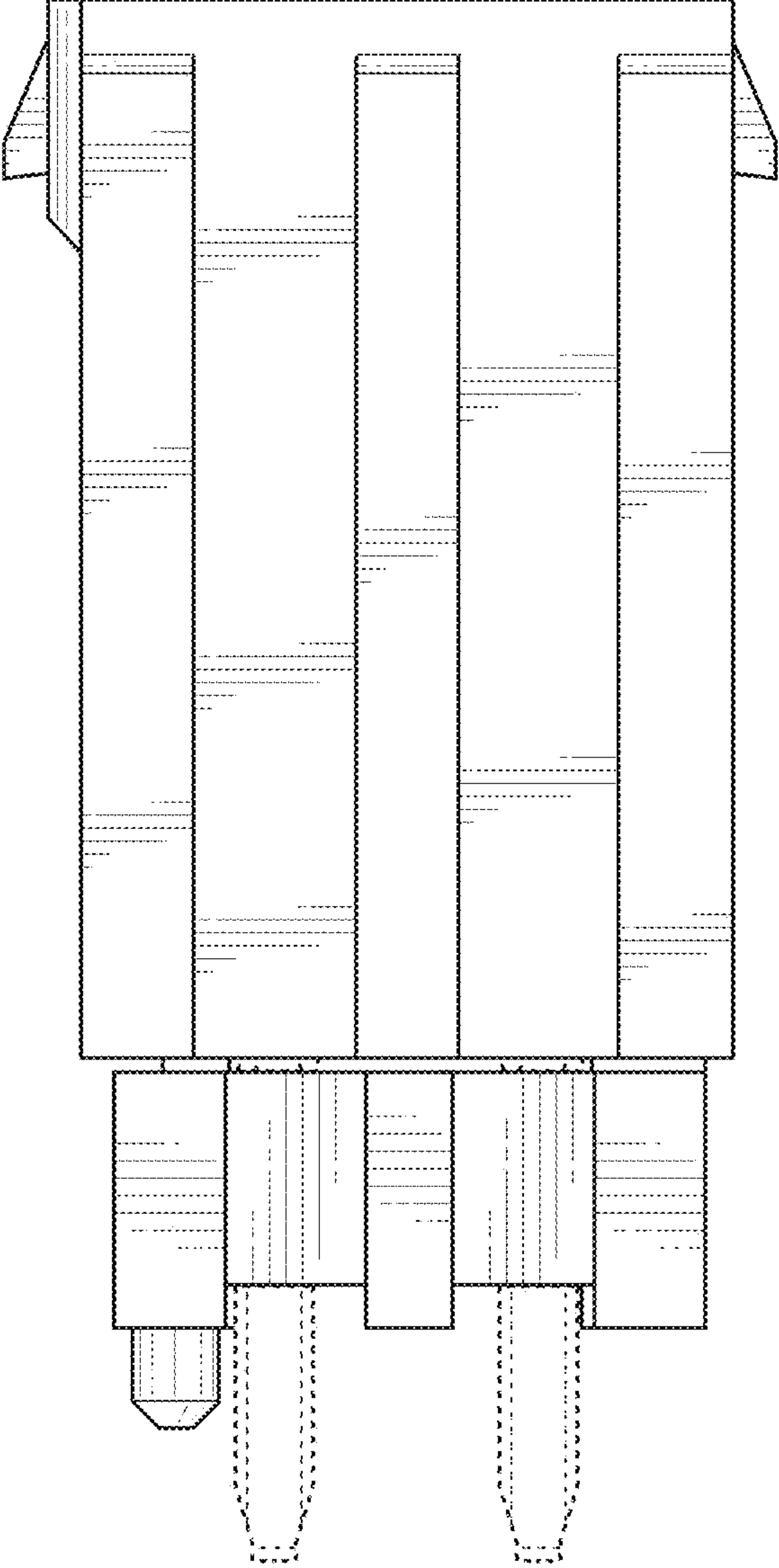


FIG. 8



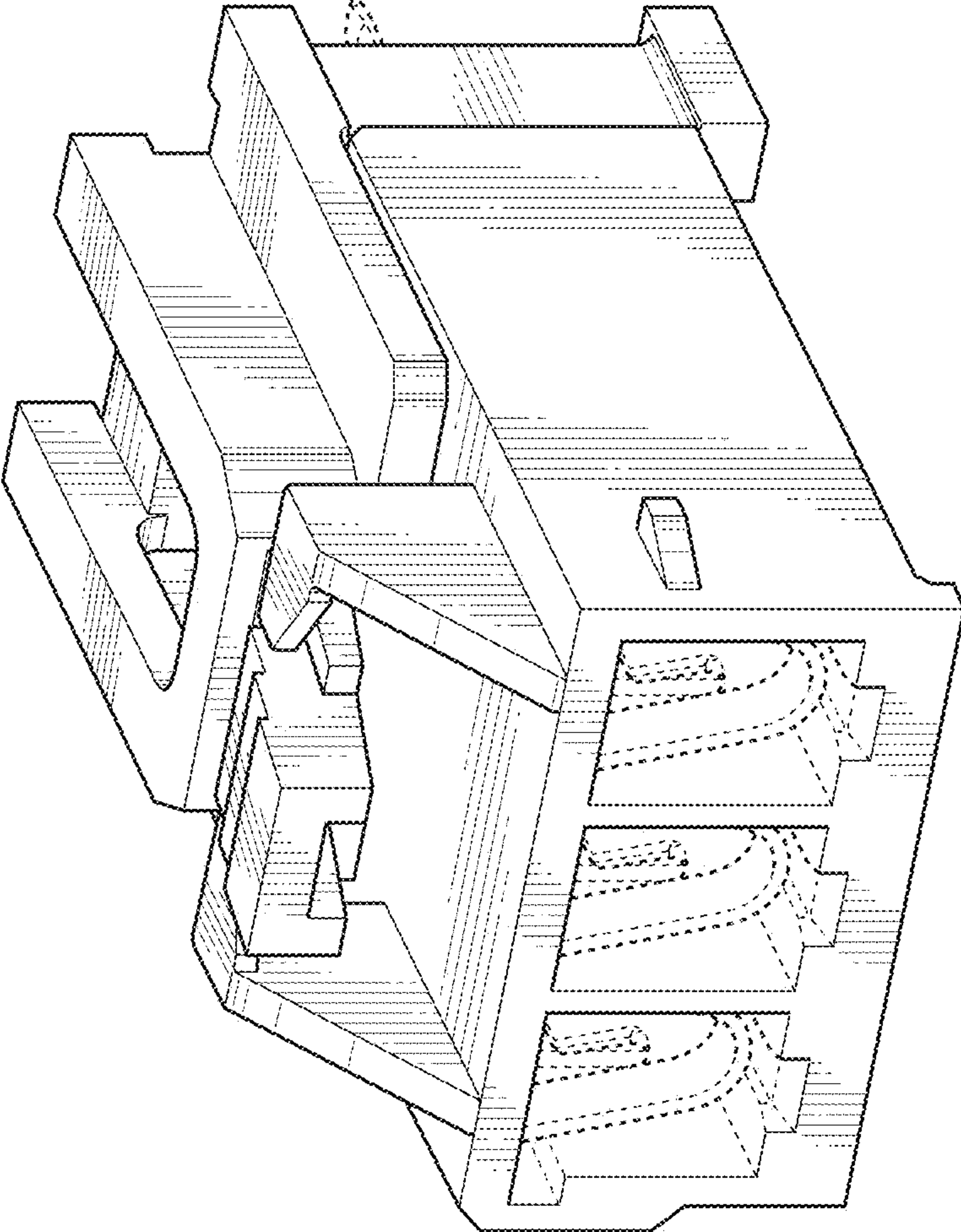


FIG. 9

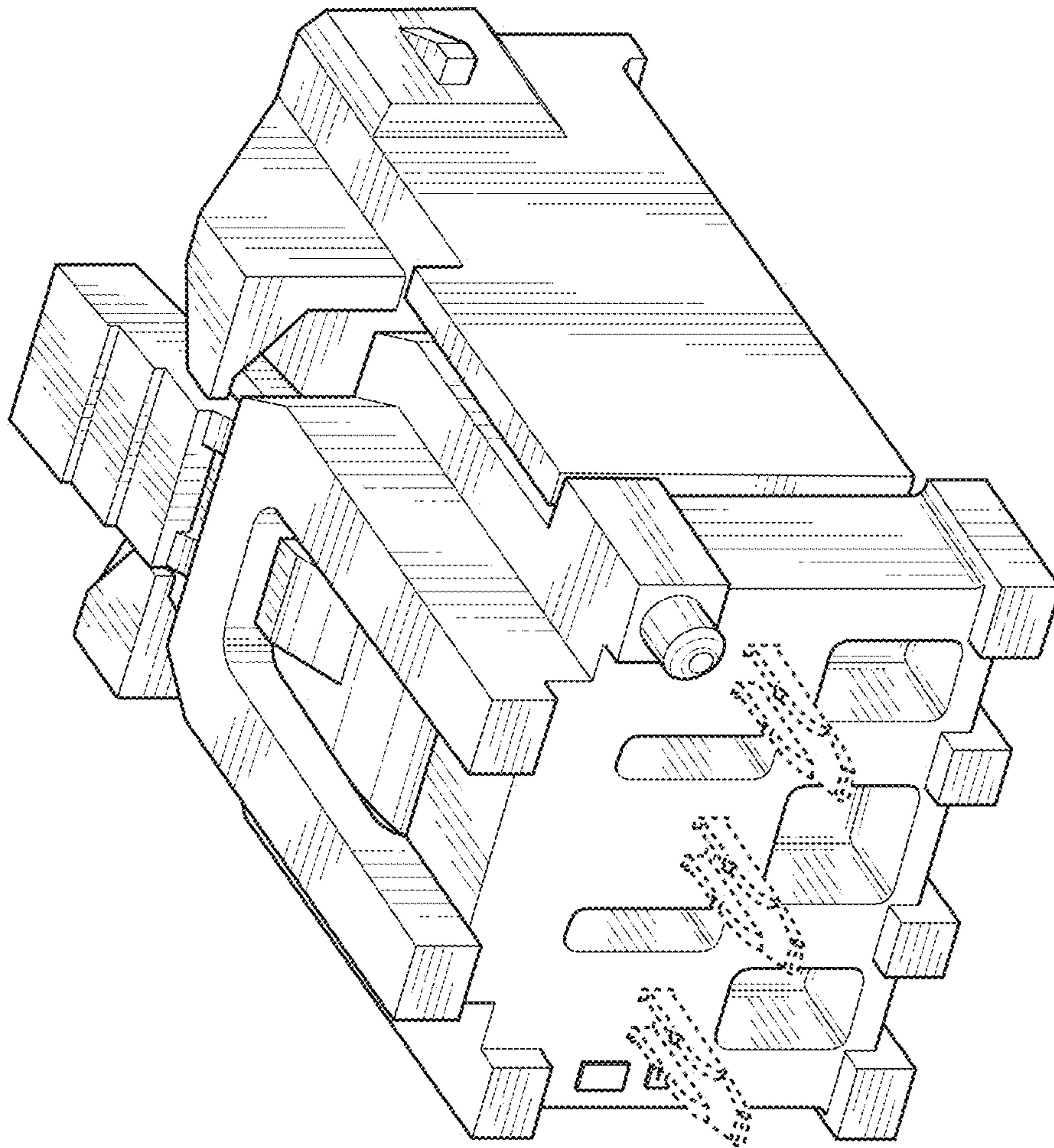


FIG. 10

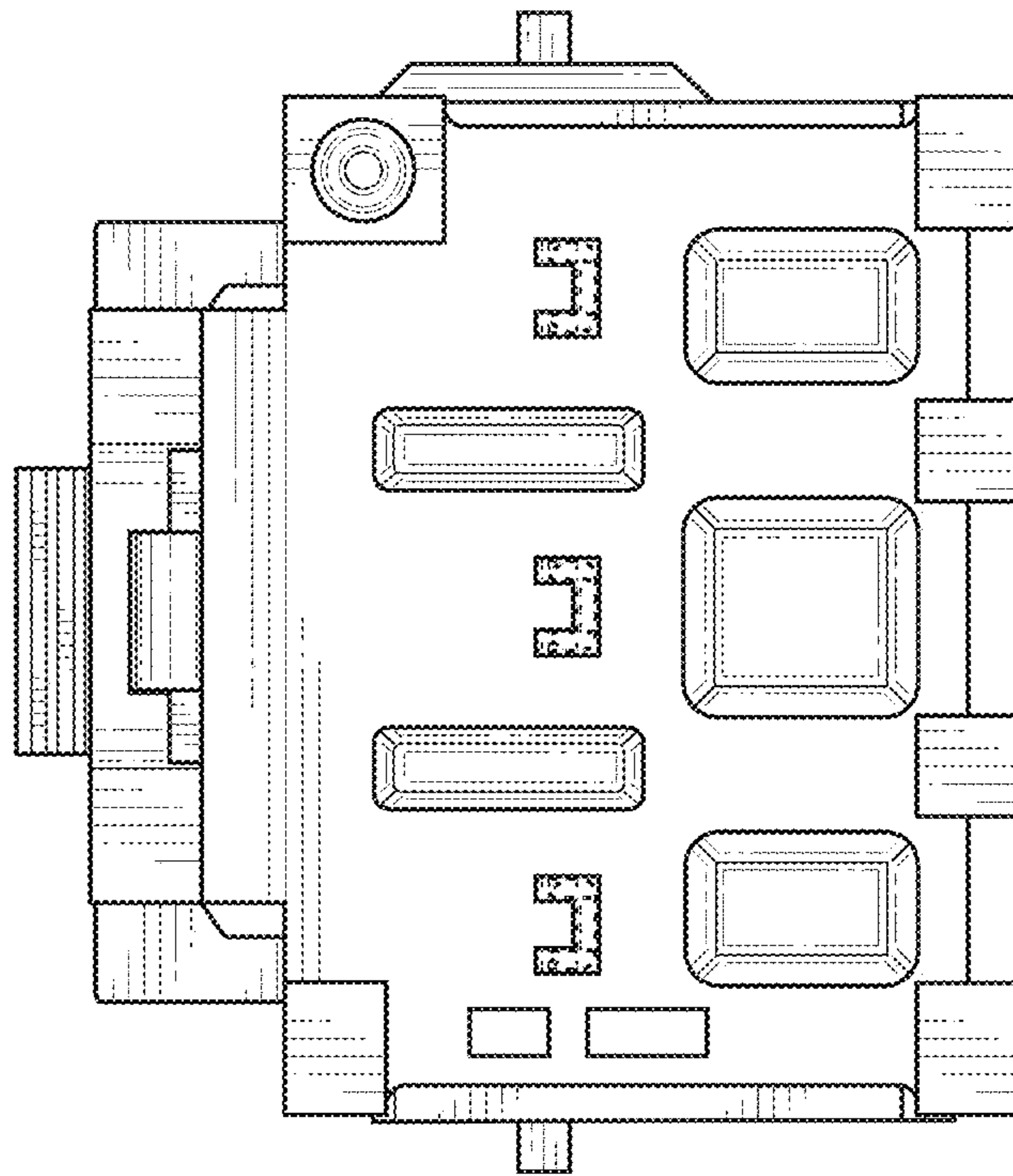


FIG. 12

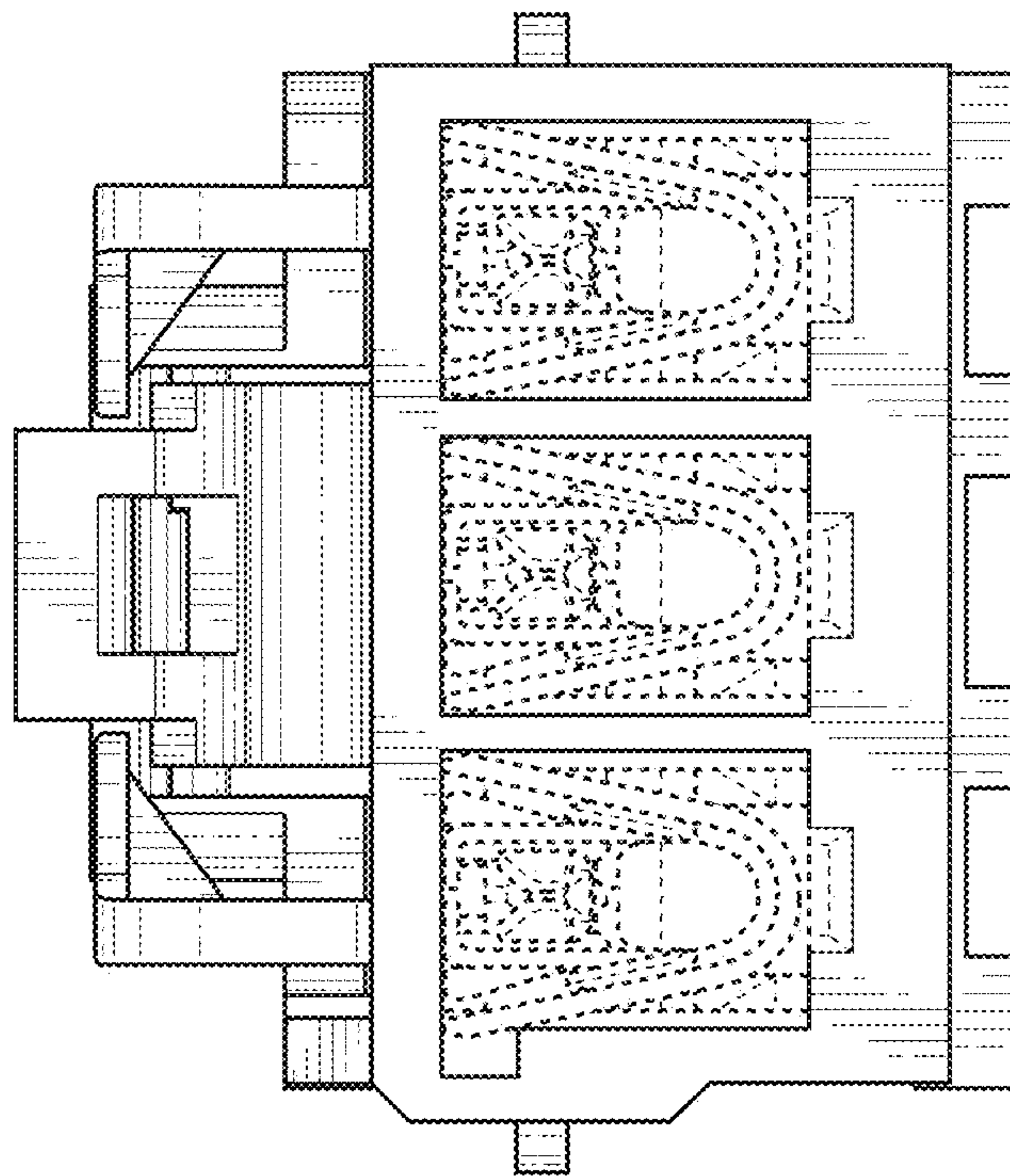


FIG. 11

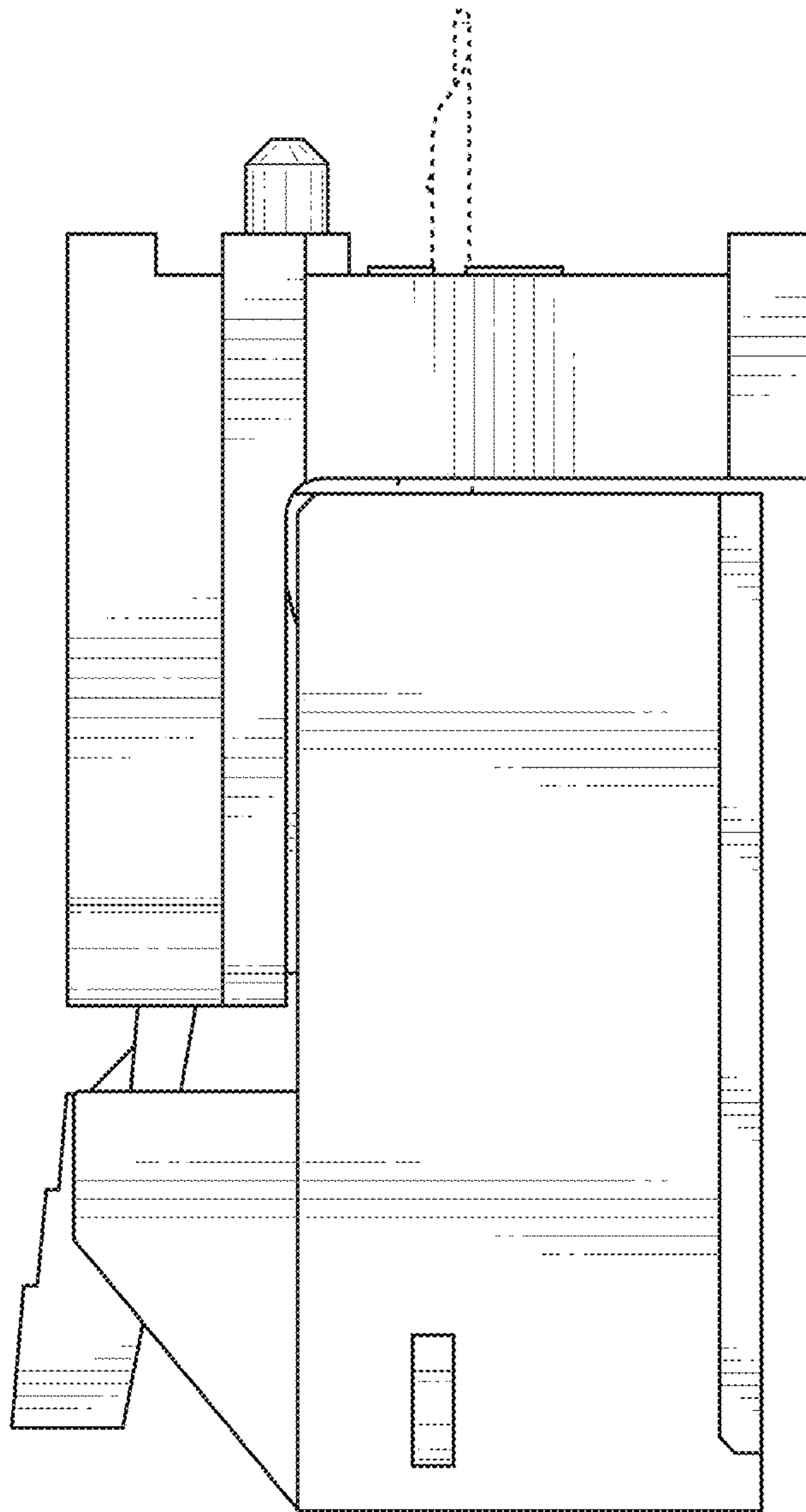


FIG. 13



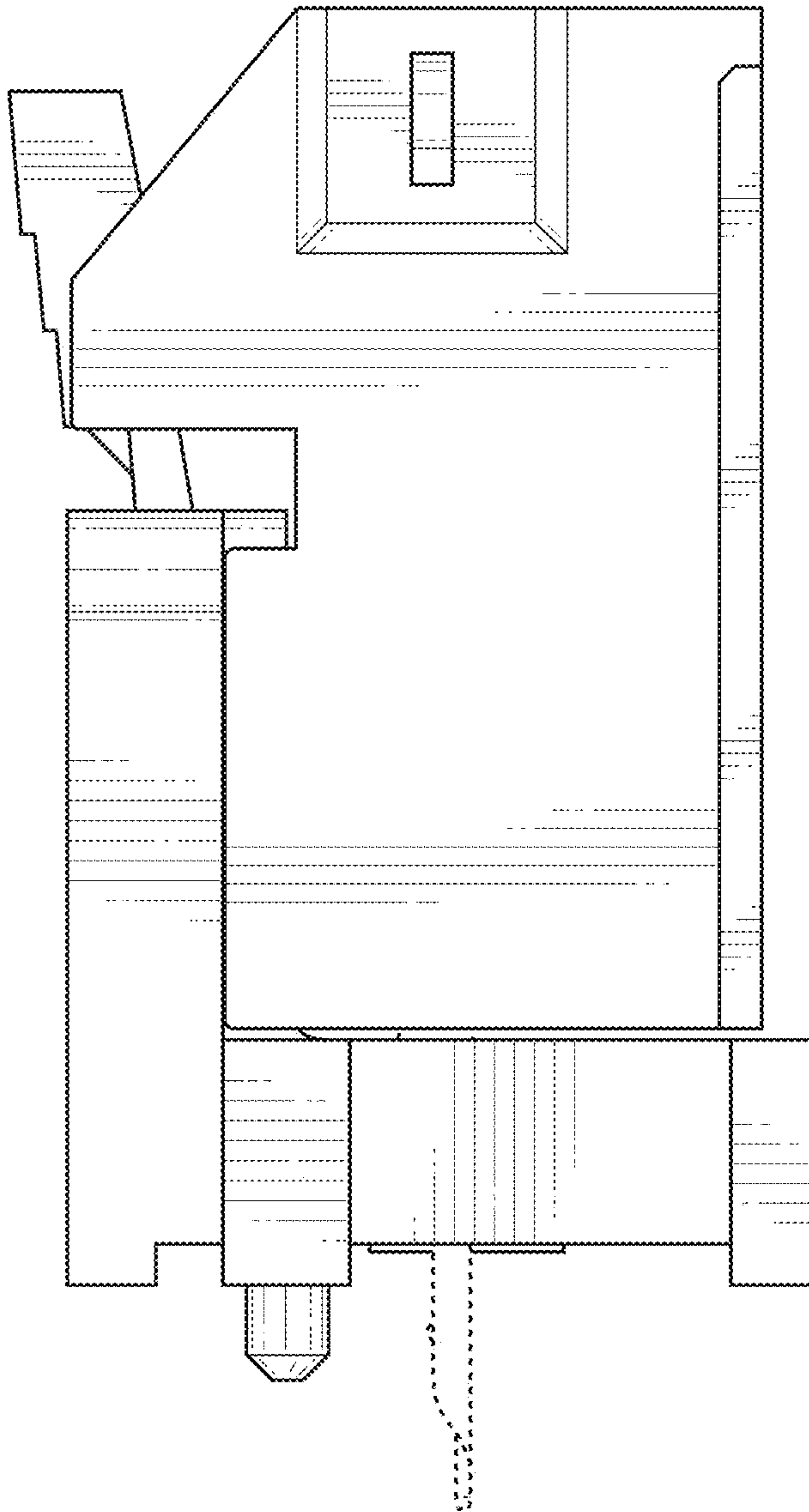


FIG. 14

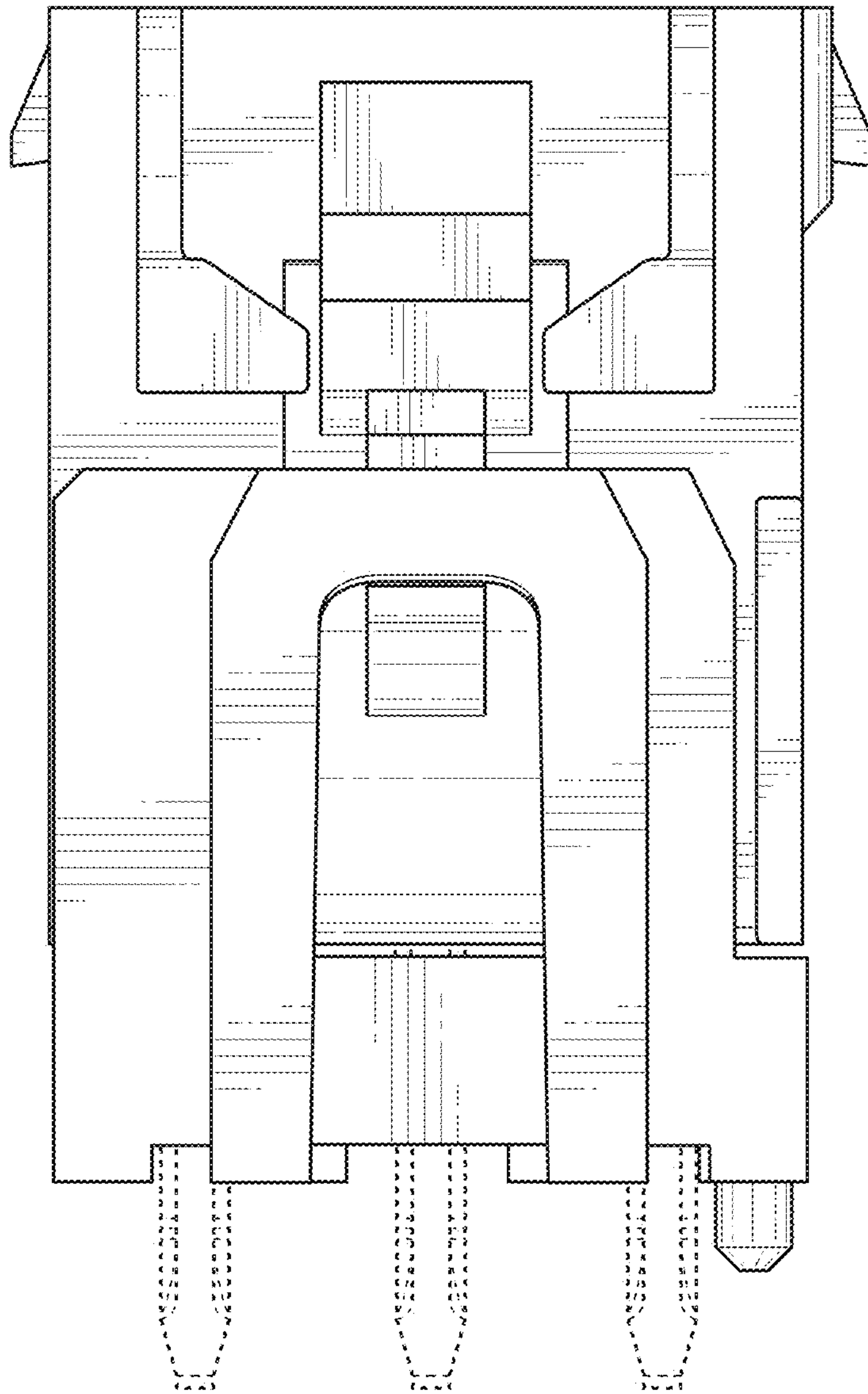


FIG. 15

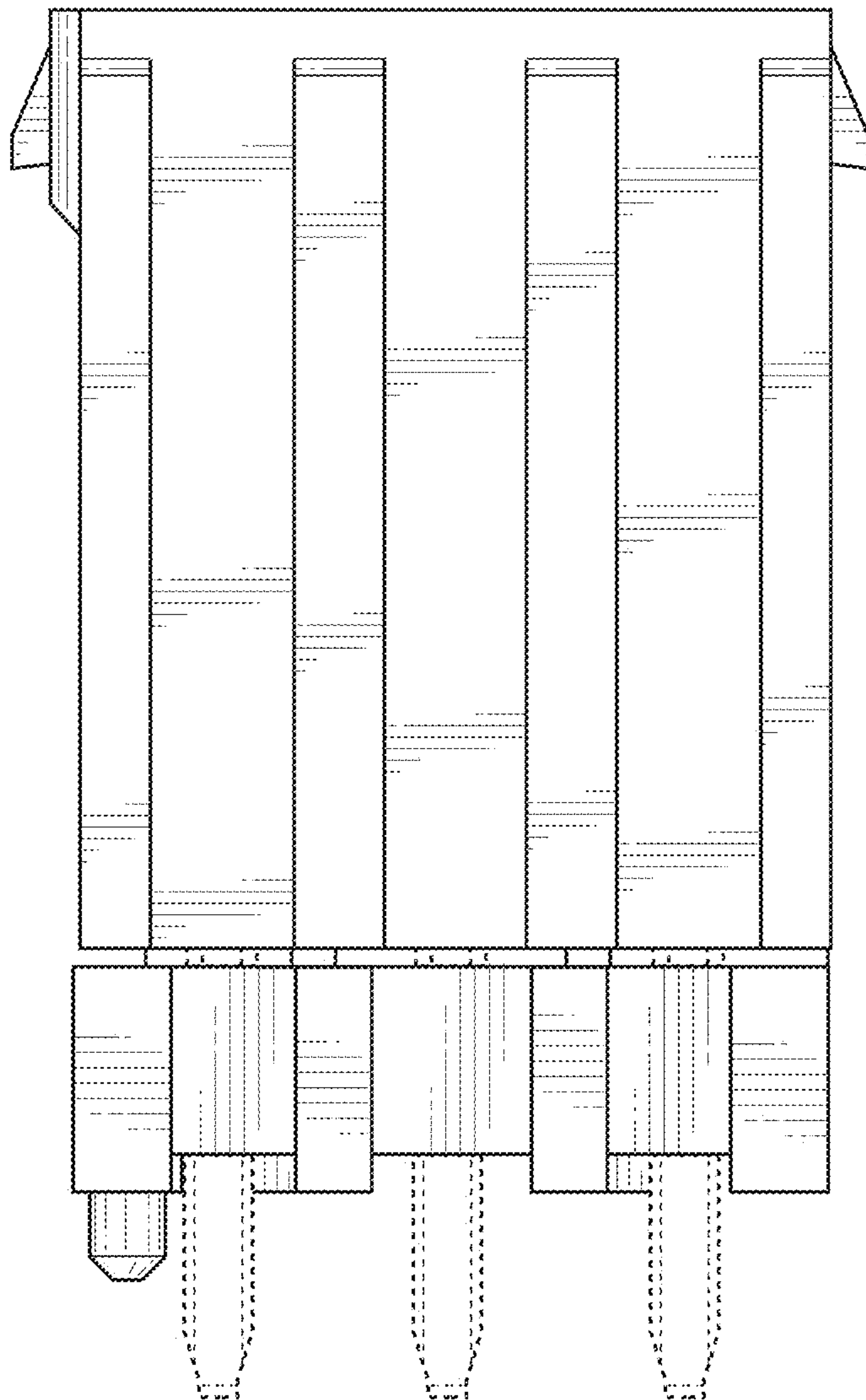


FIG. 16

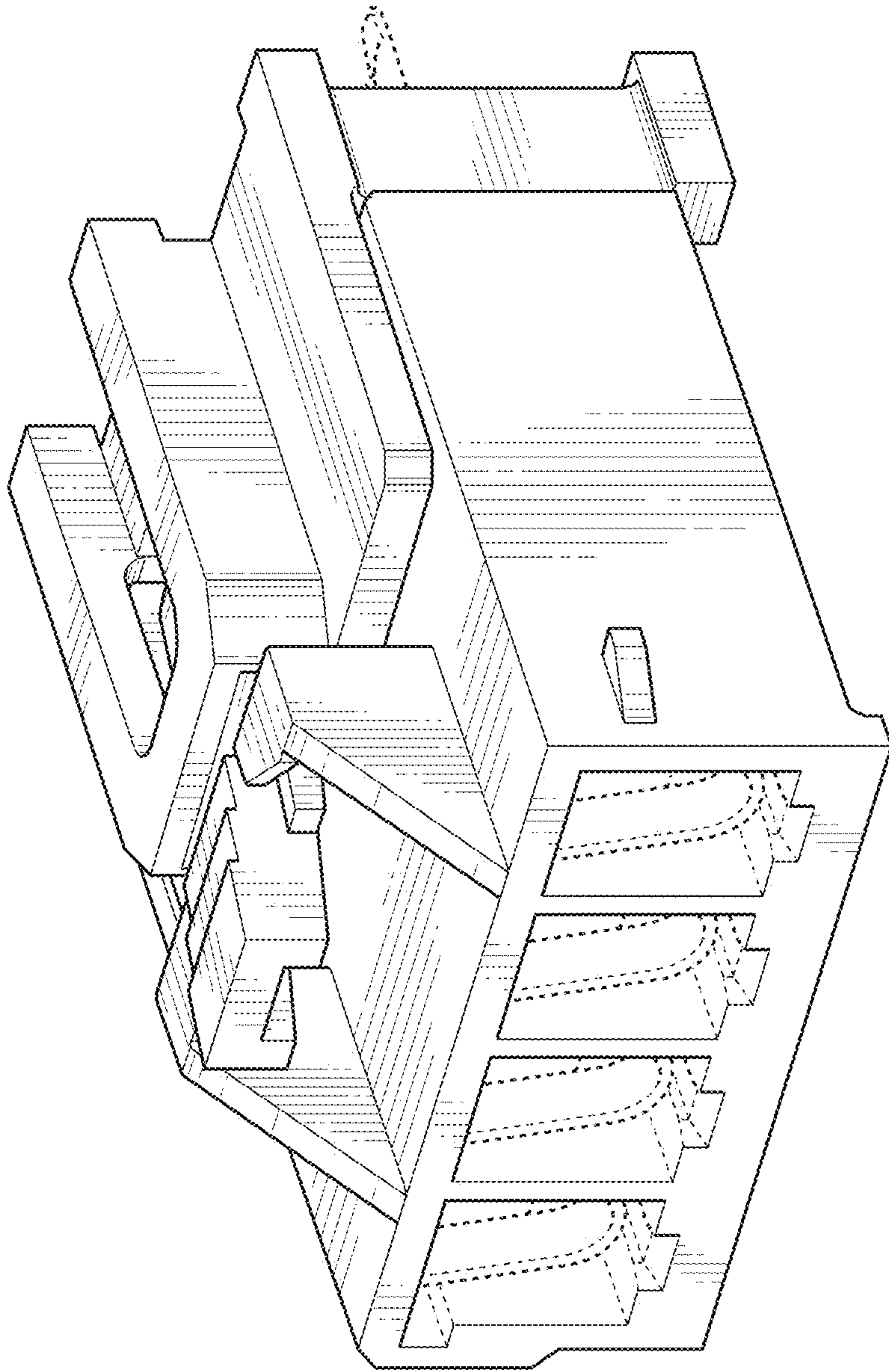


FIG. 17



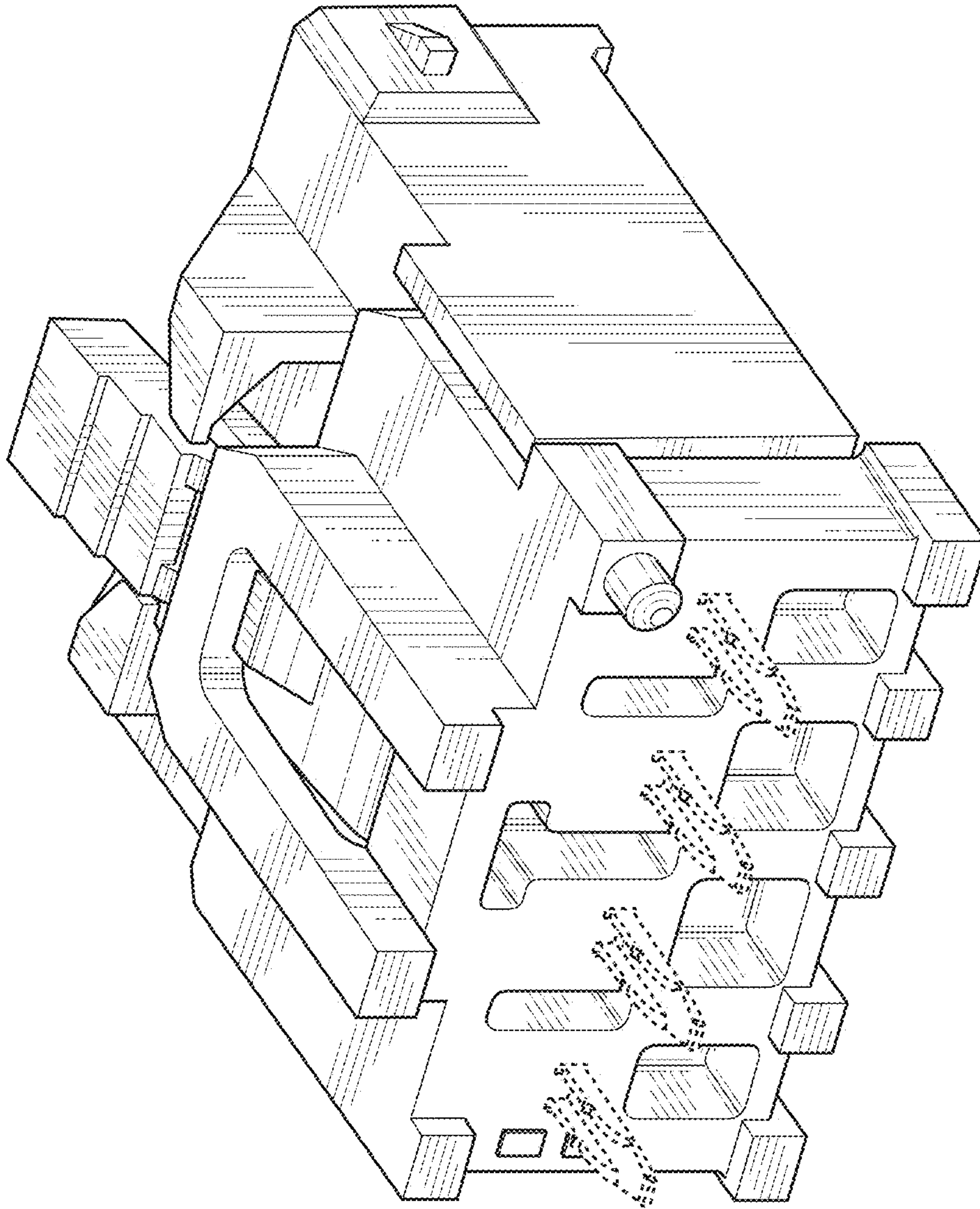


FIG. 18

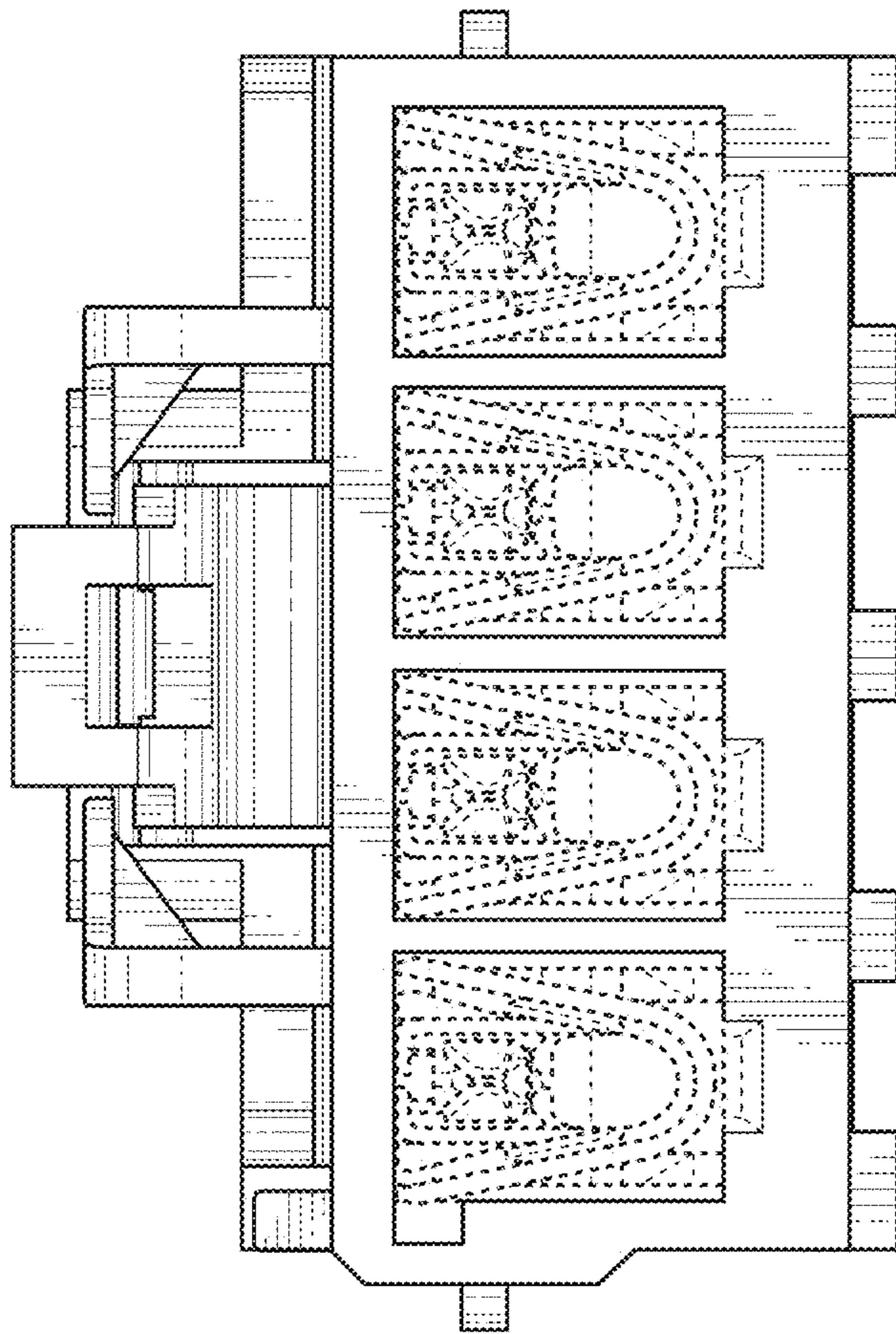


FIG. 19

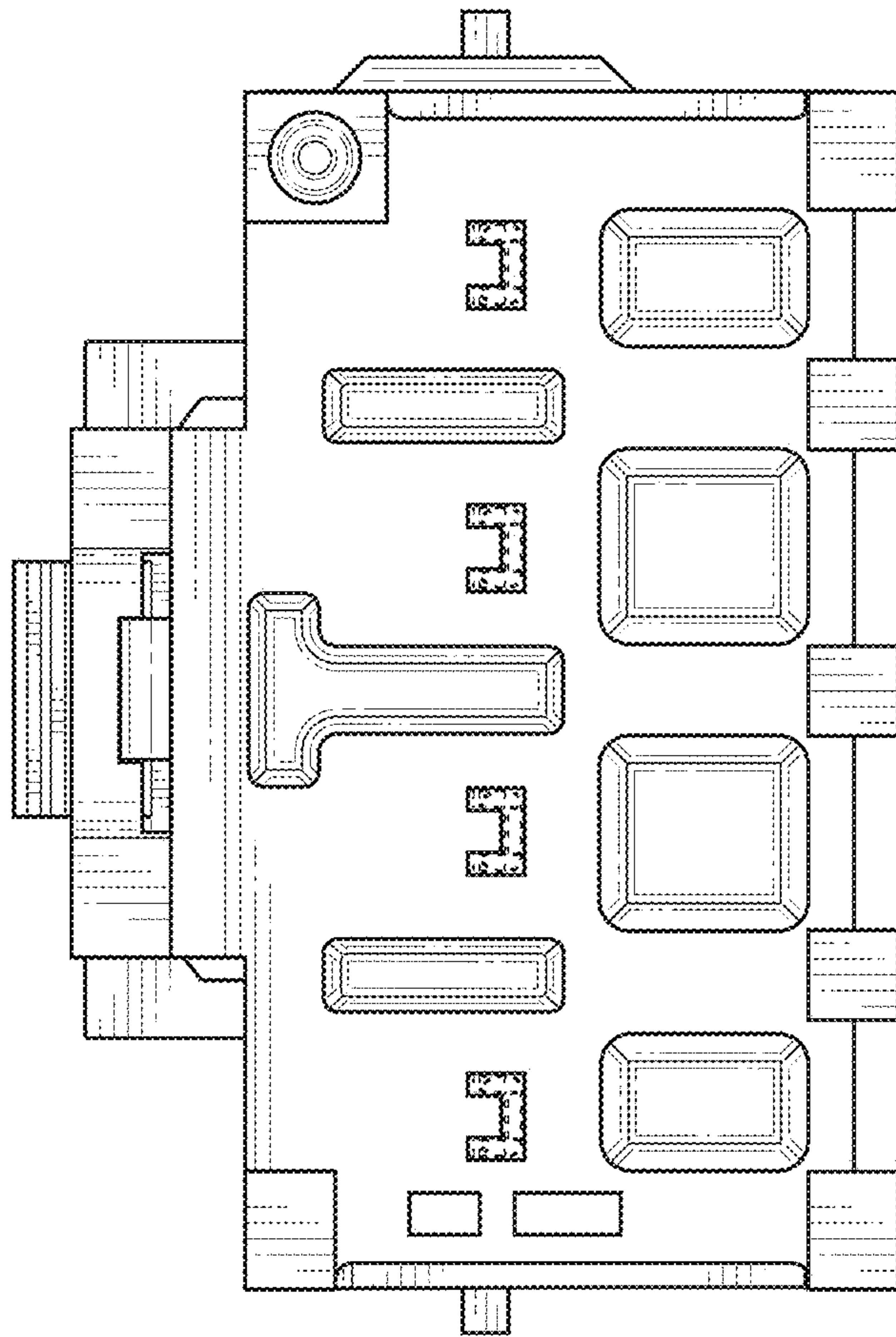


FIG. 20

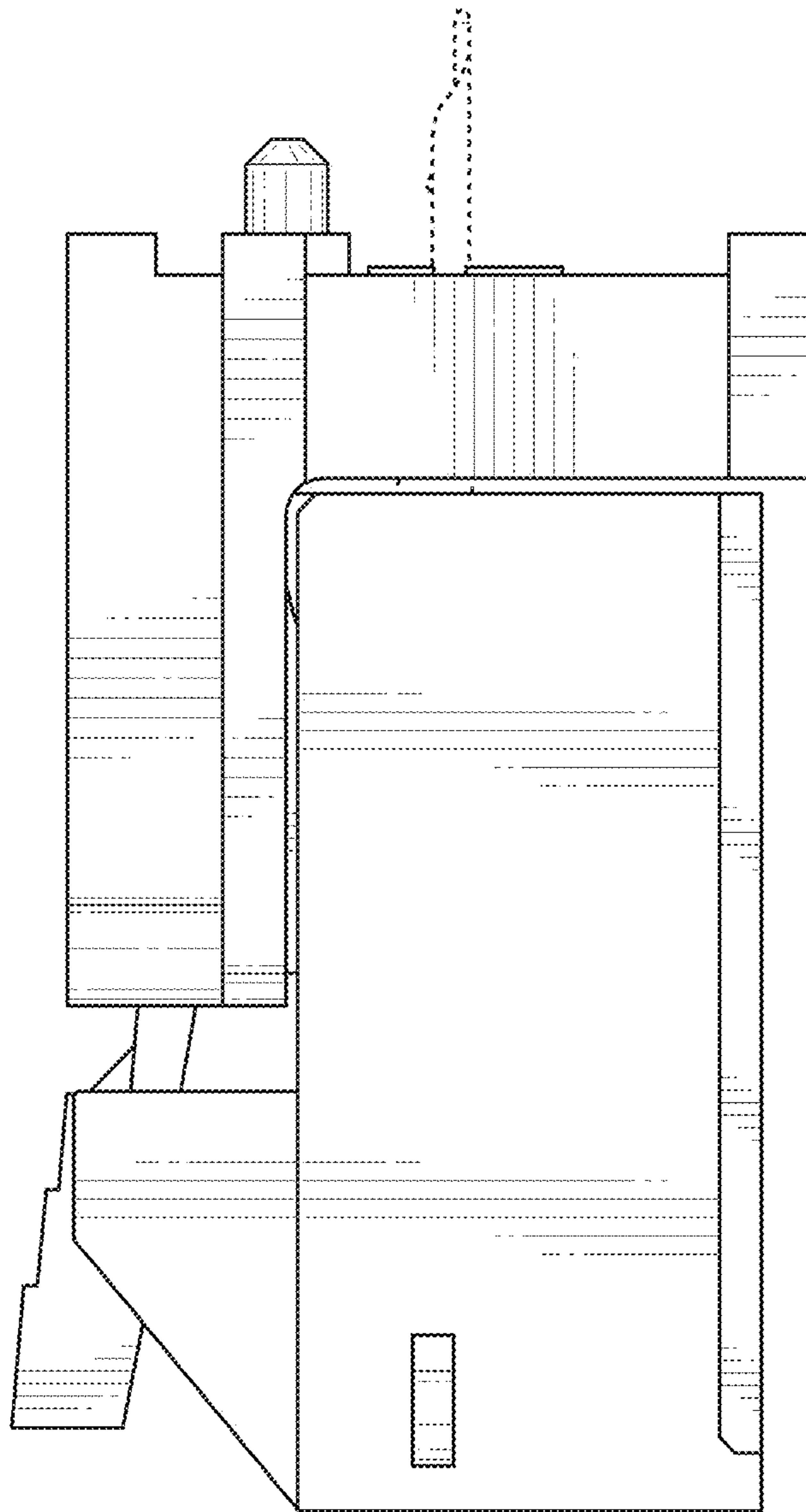


FIG. 21



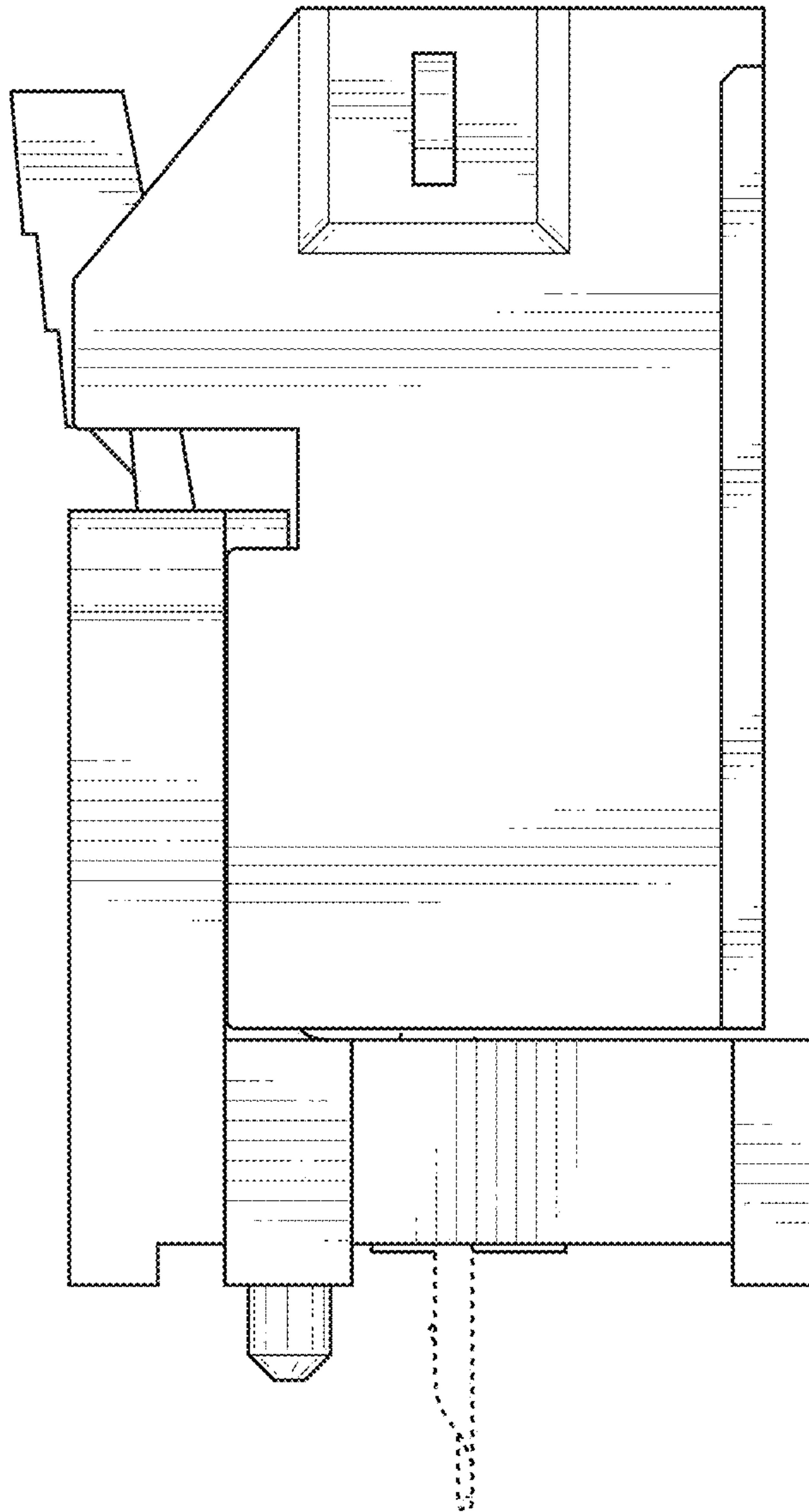


FIG. 22

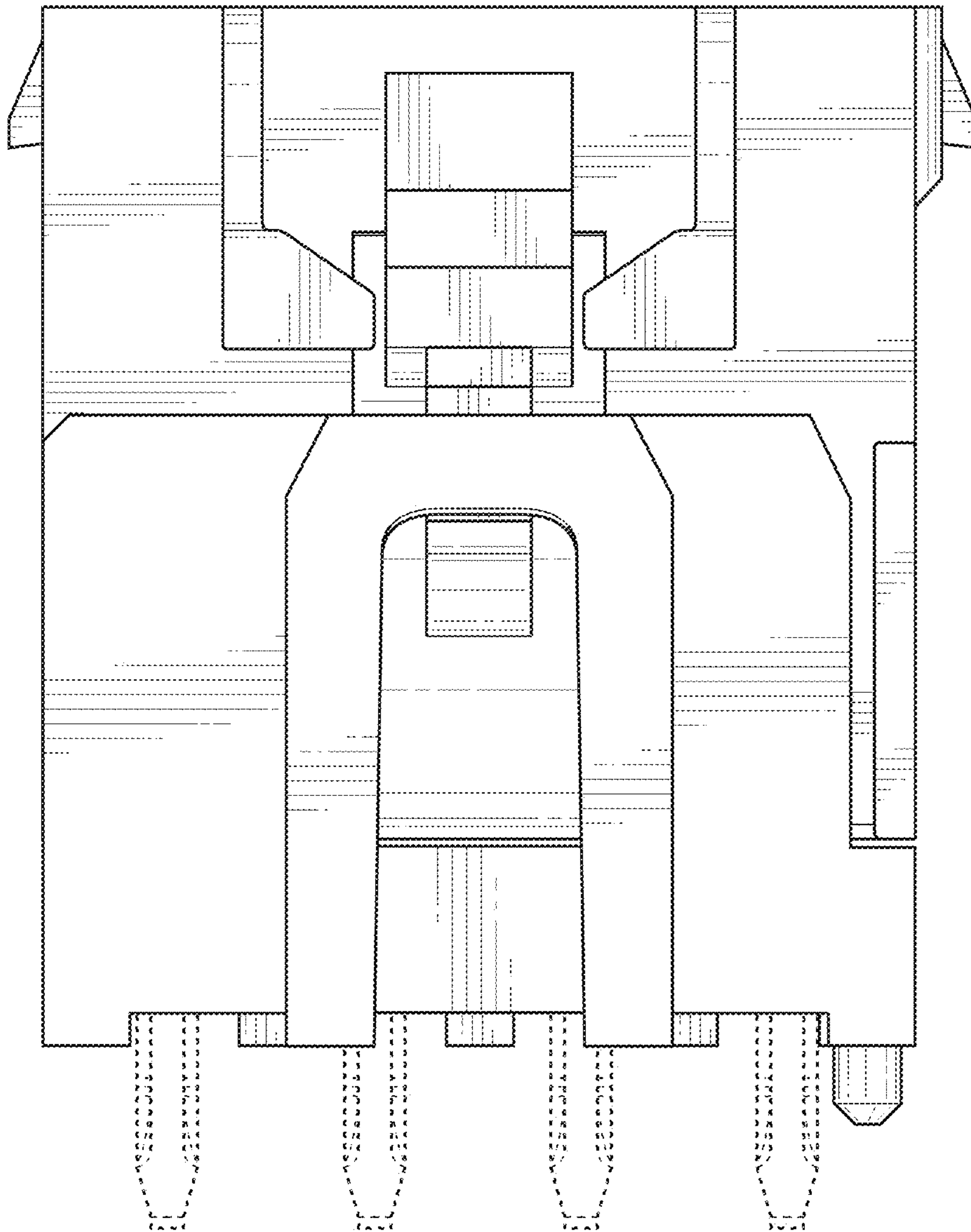


FIG. 23

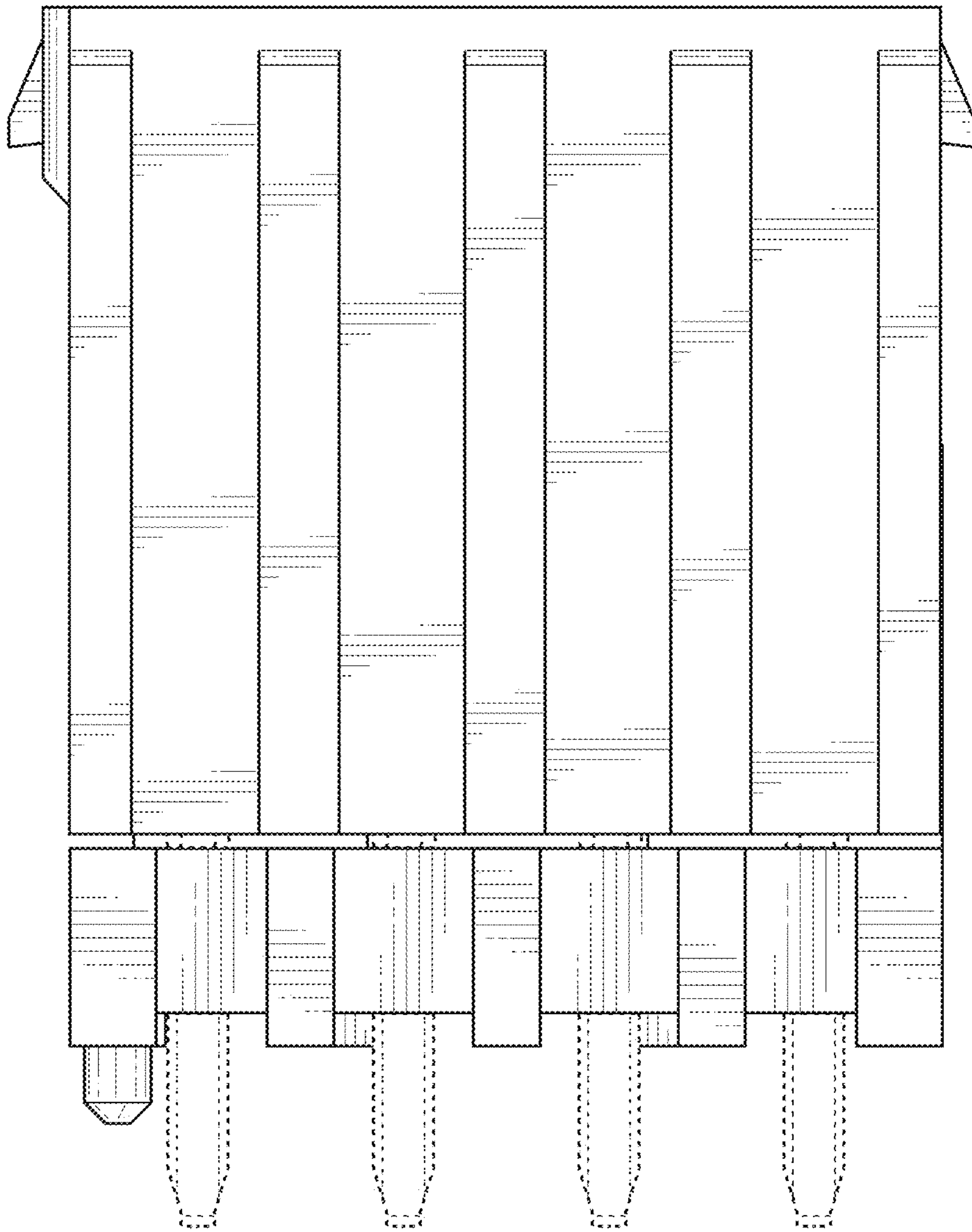


FIG. 24

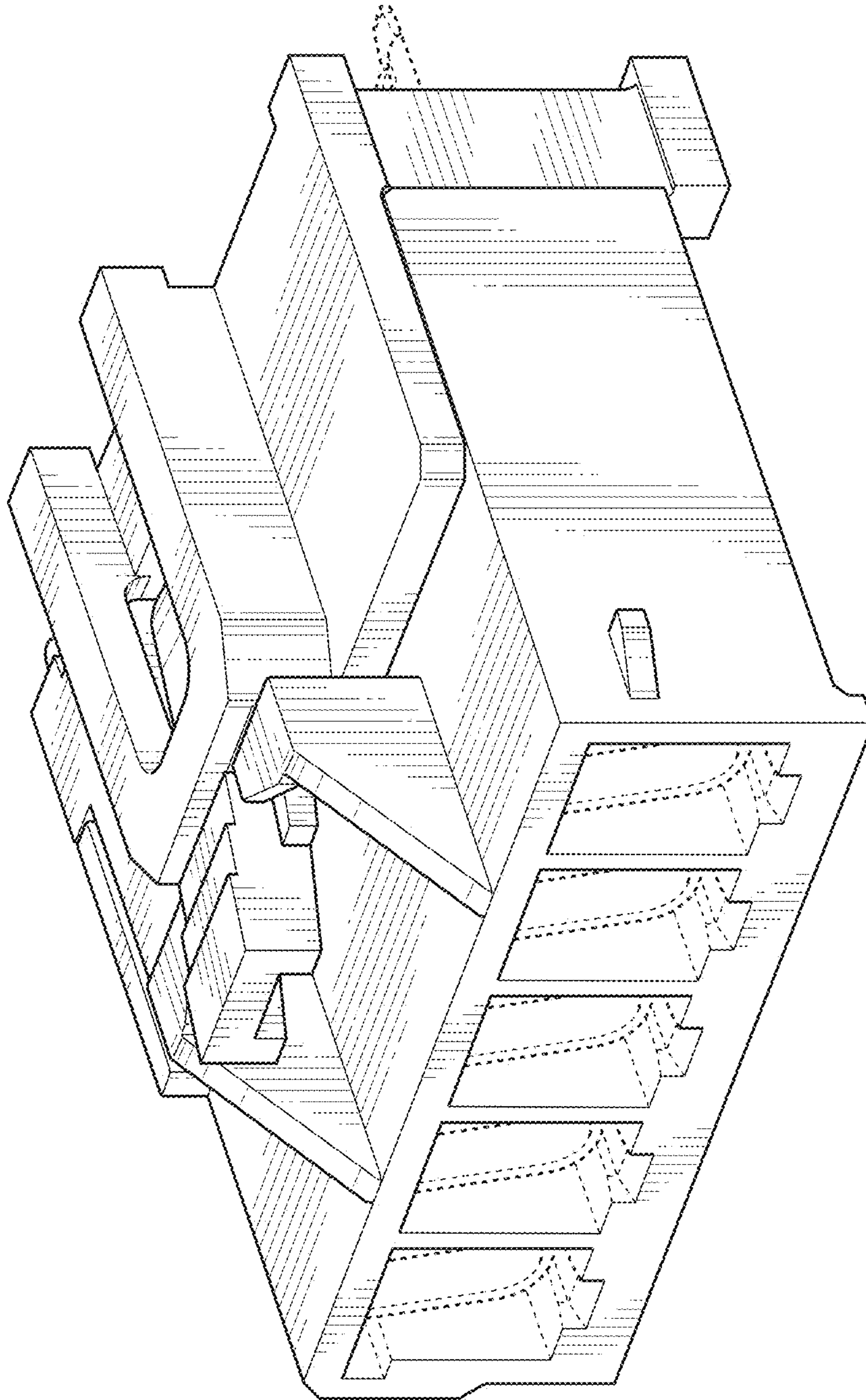


FIG. 25



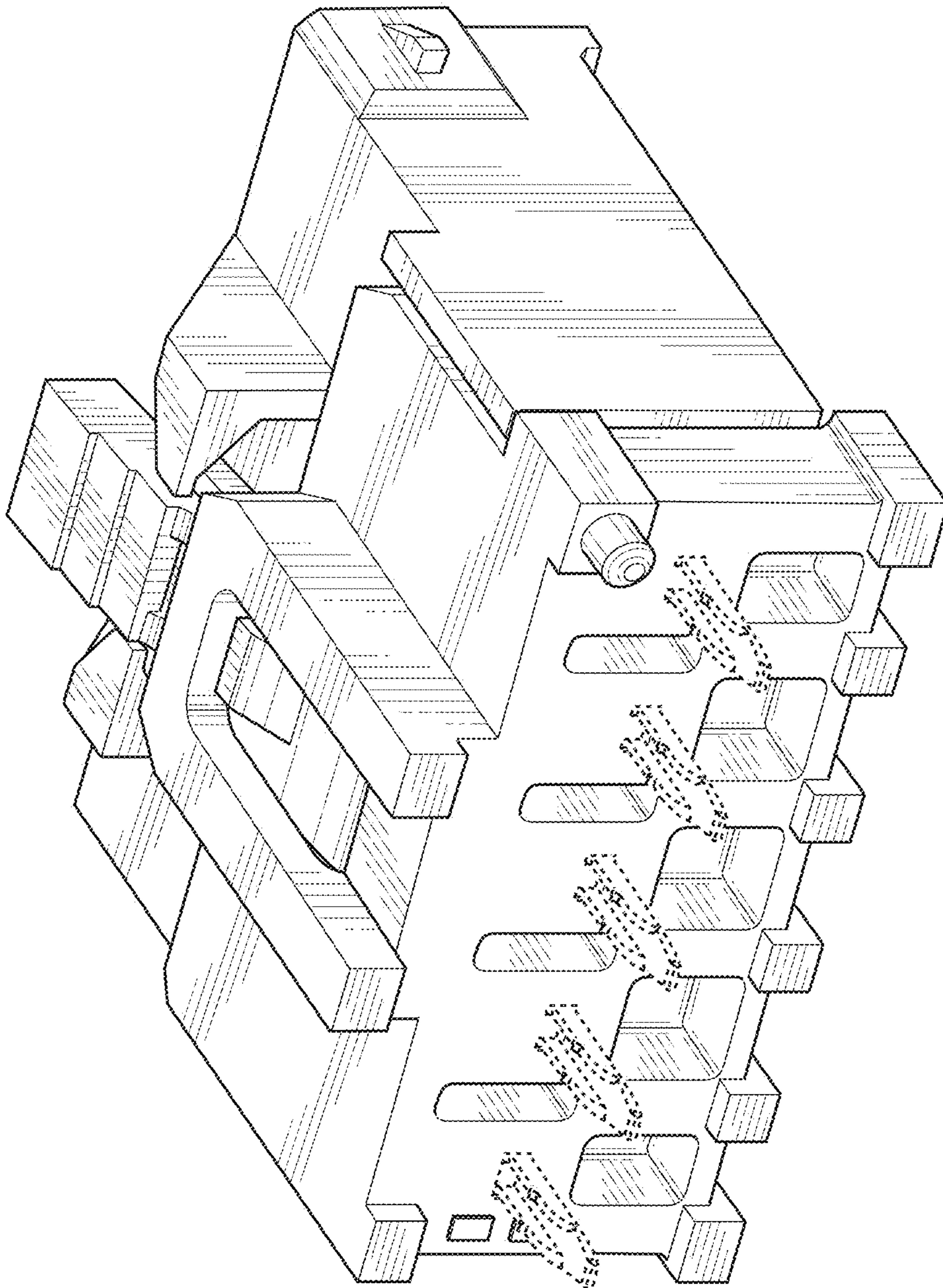


FIG. 26

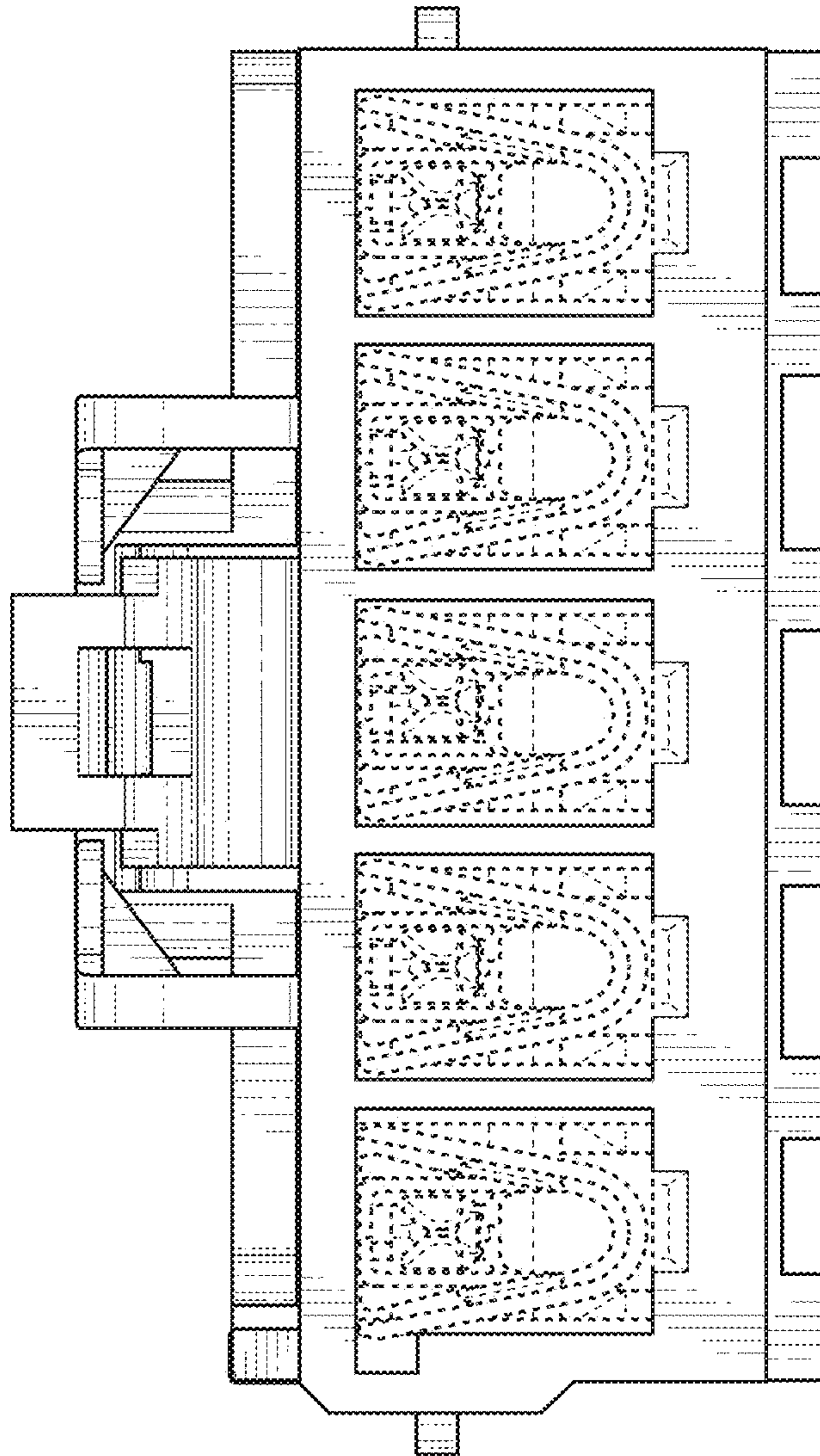


FIG. 27

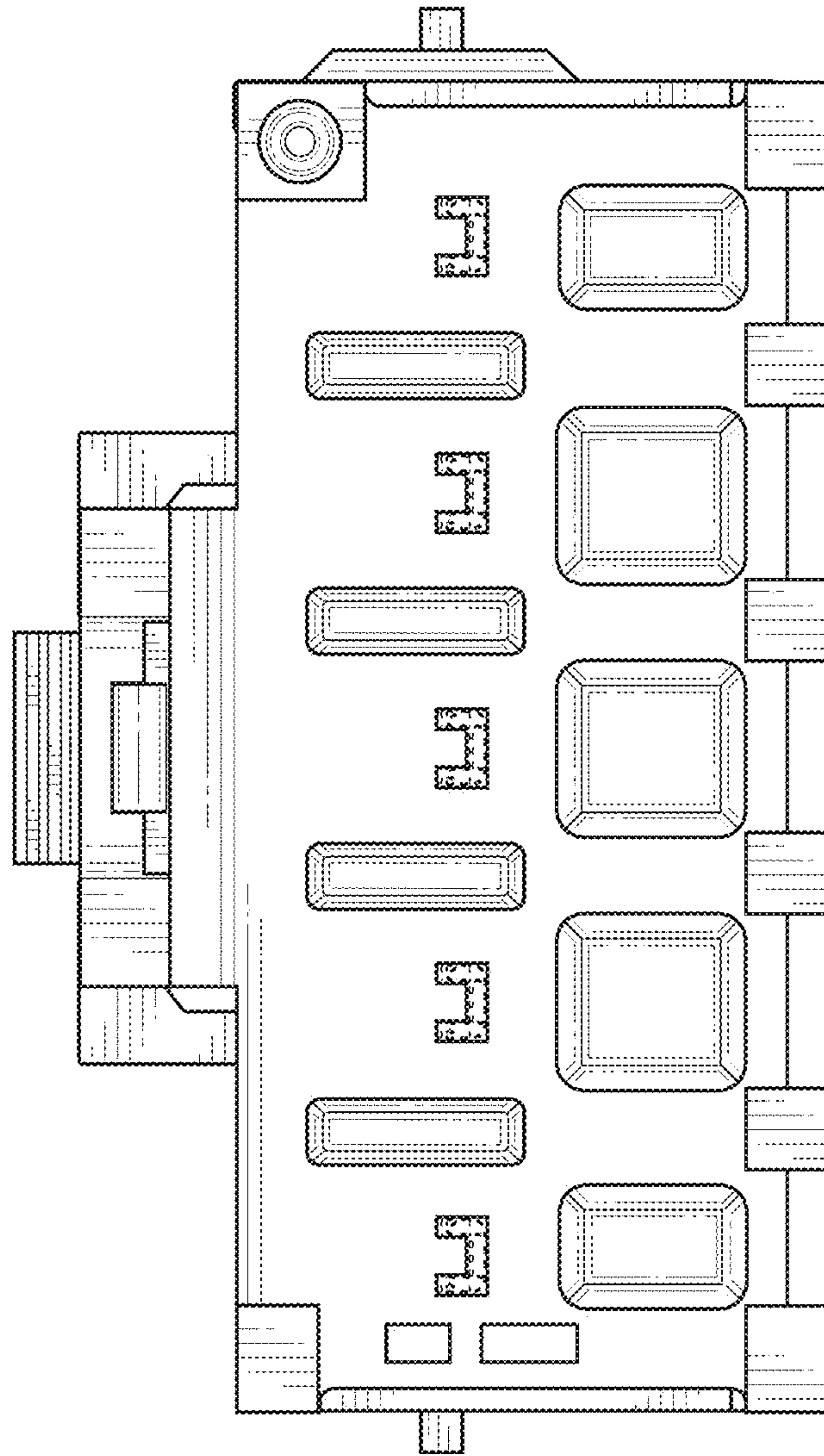


FIG. 28

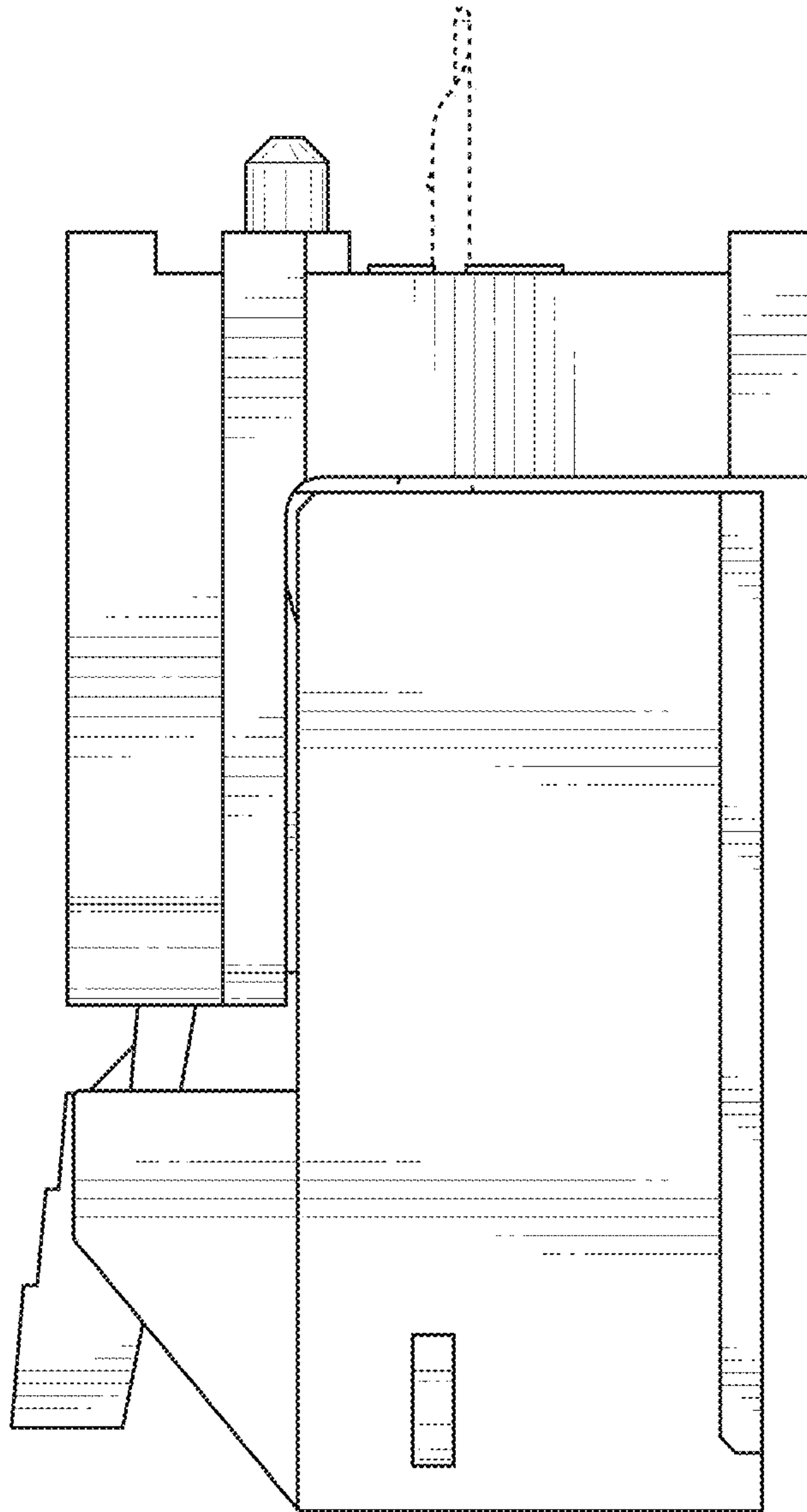


FIG. 29



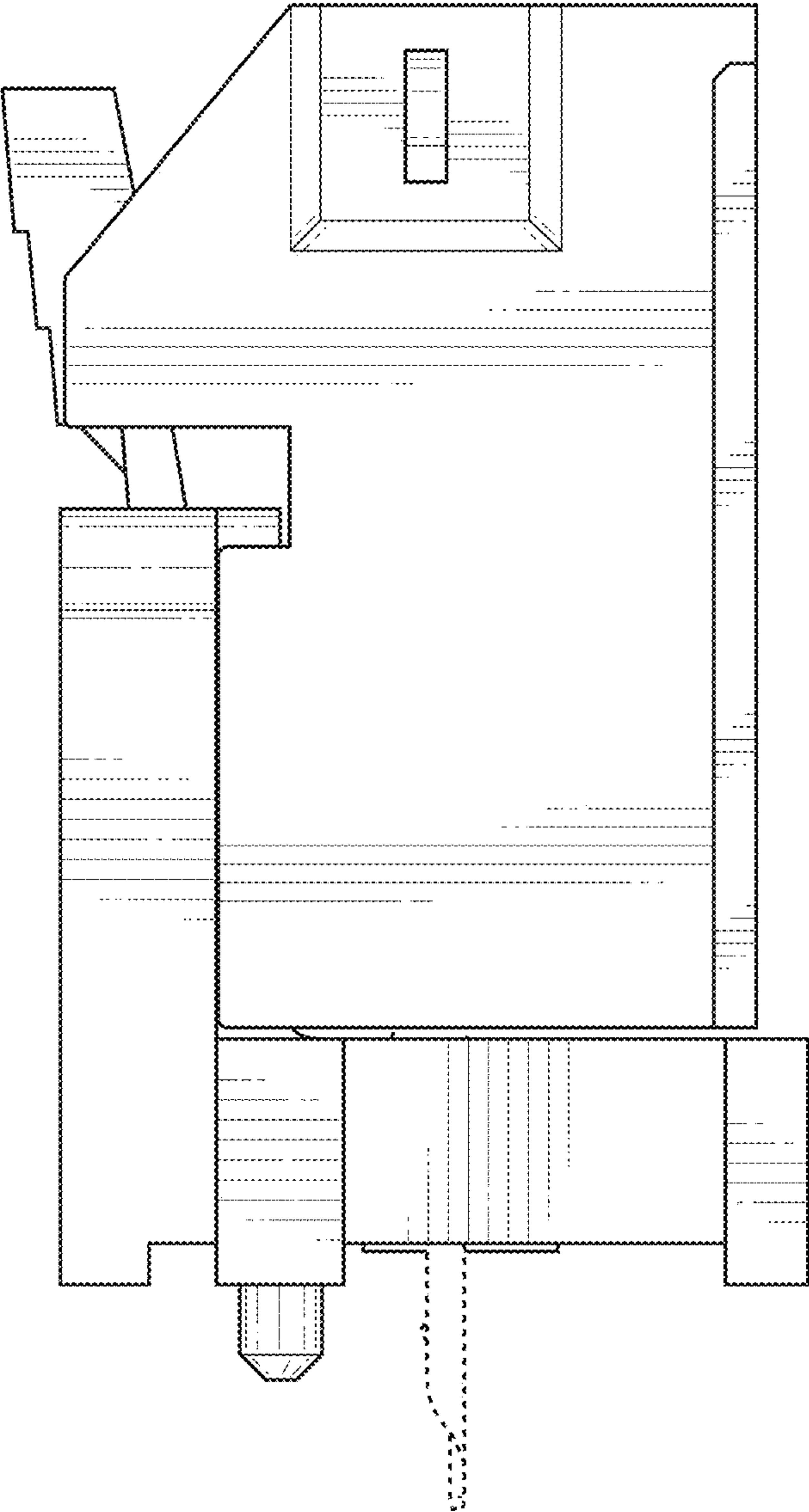


FIG. 30

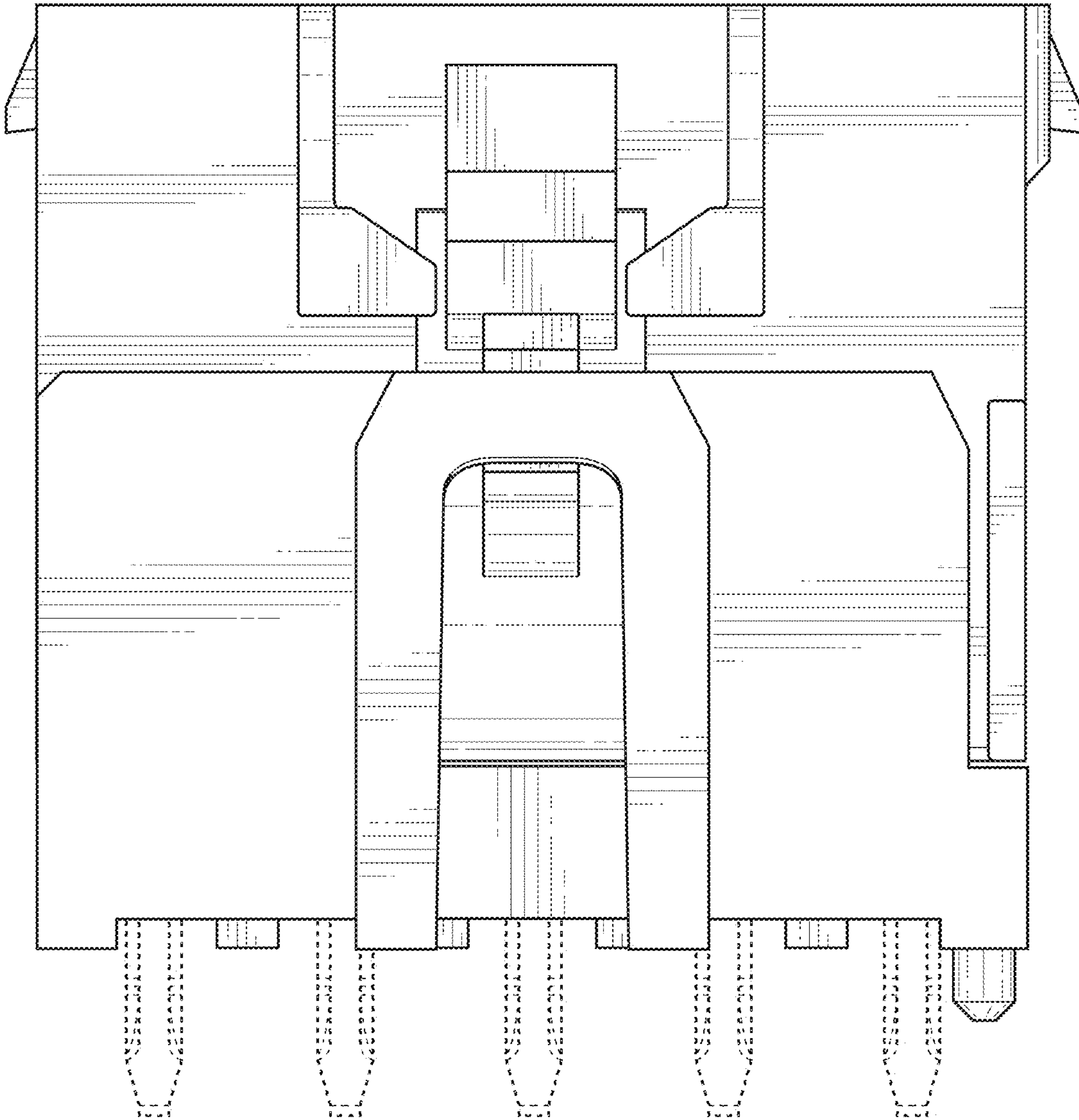


FIG. 31

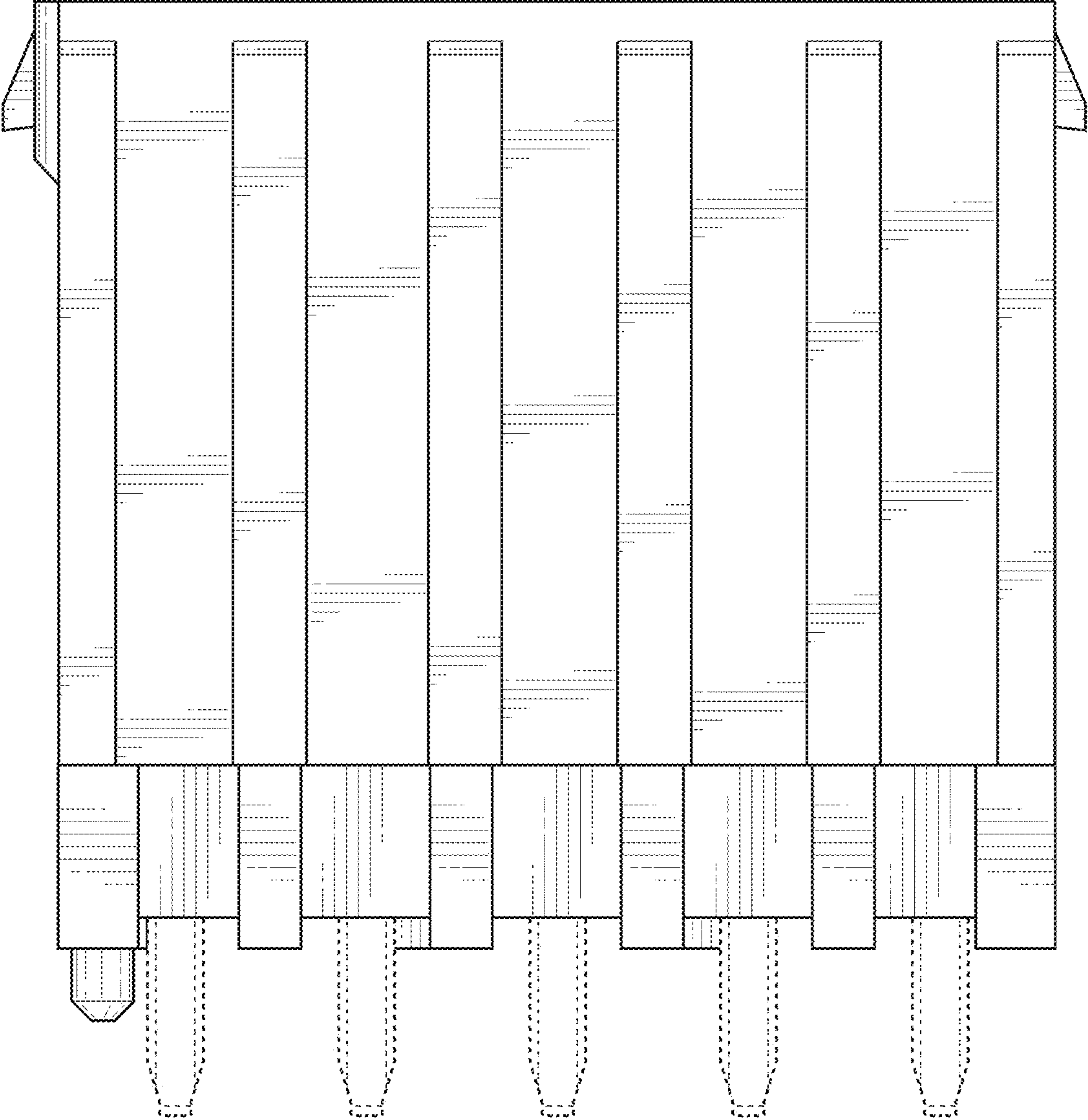


FIG. 32

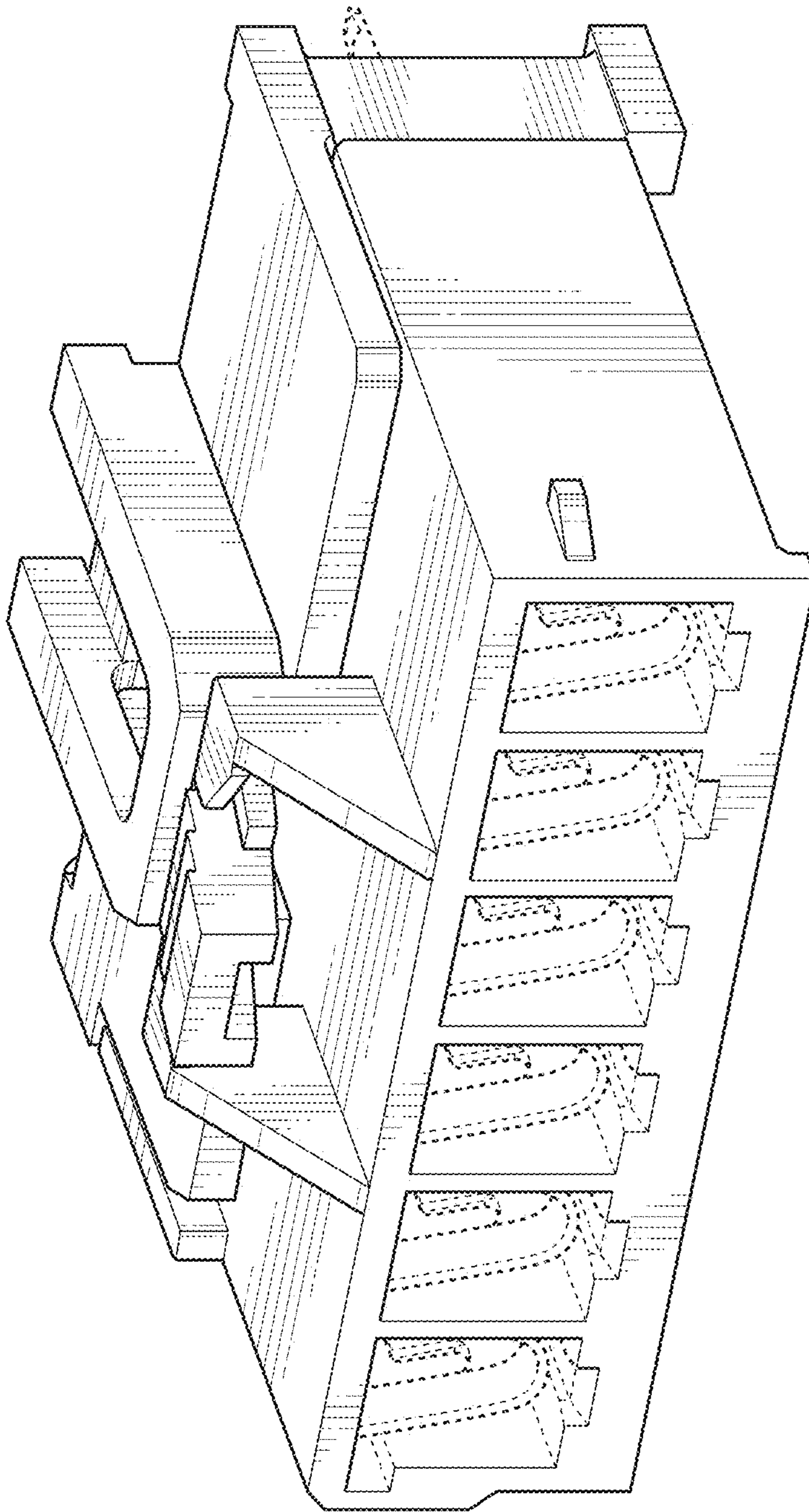


FIG. 33



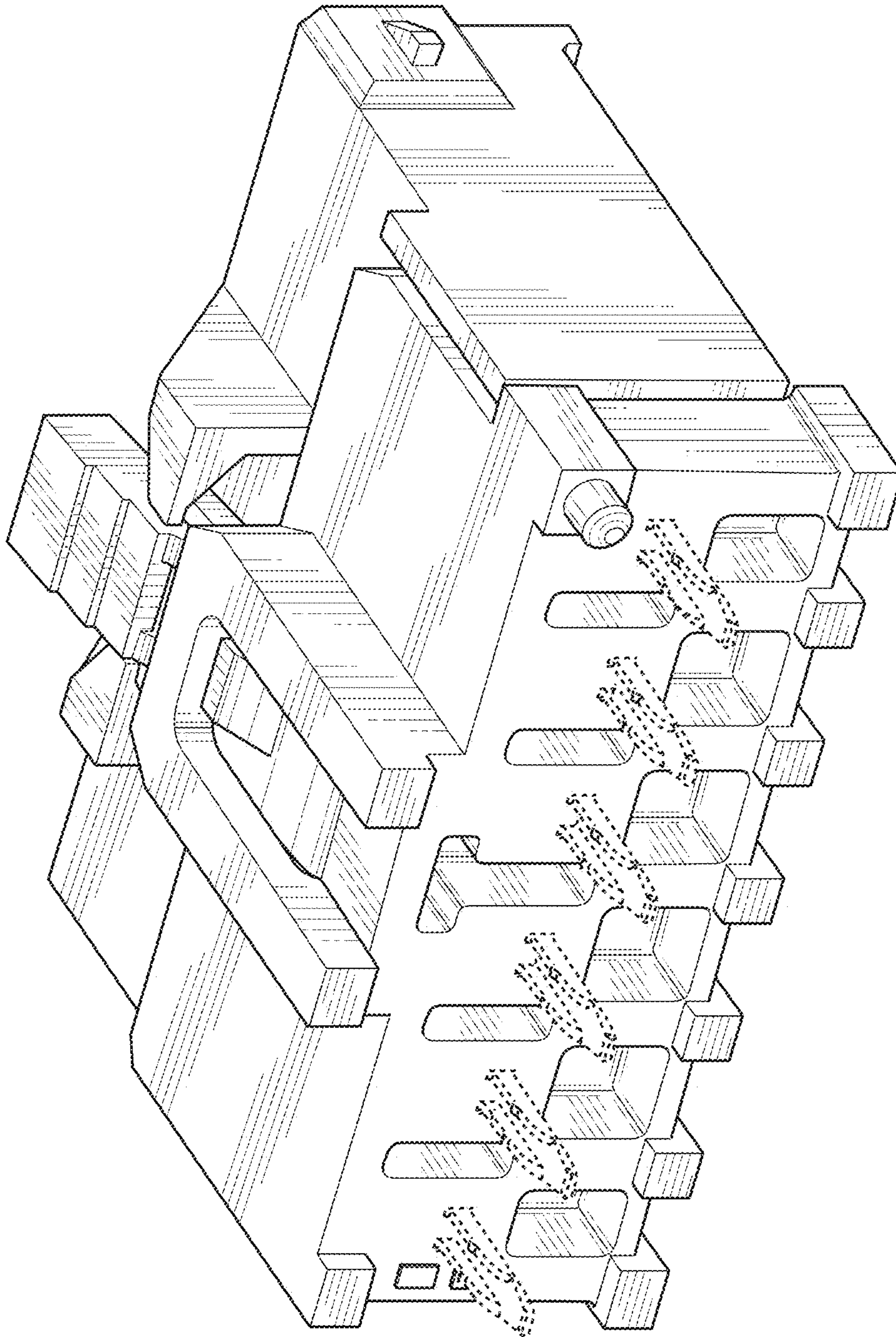


FIG. 34



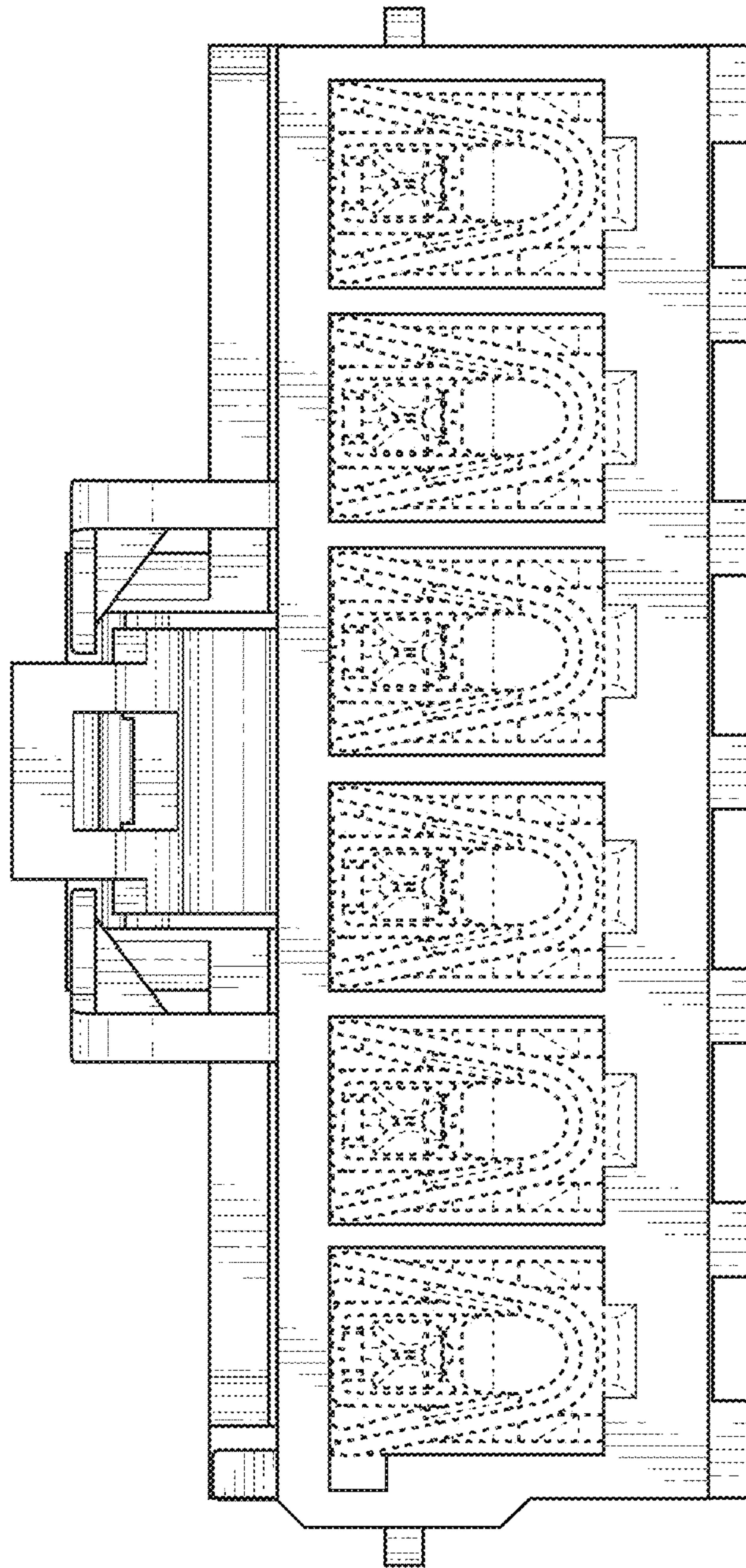


FIG. 35

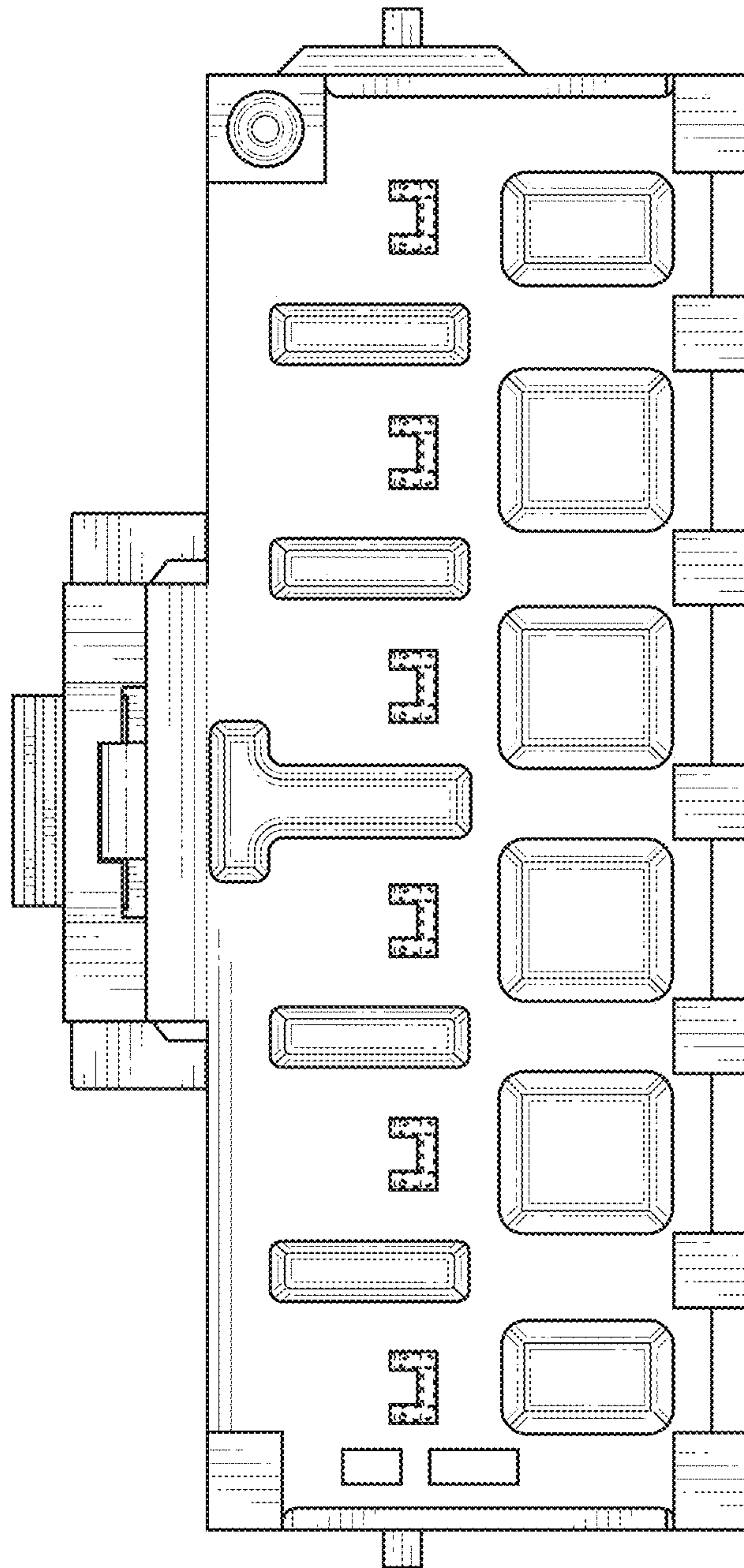


FIG. 36

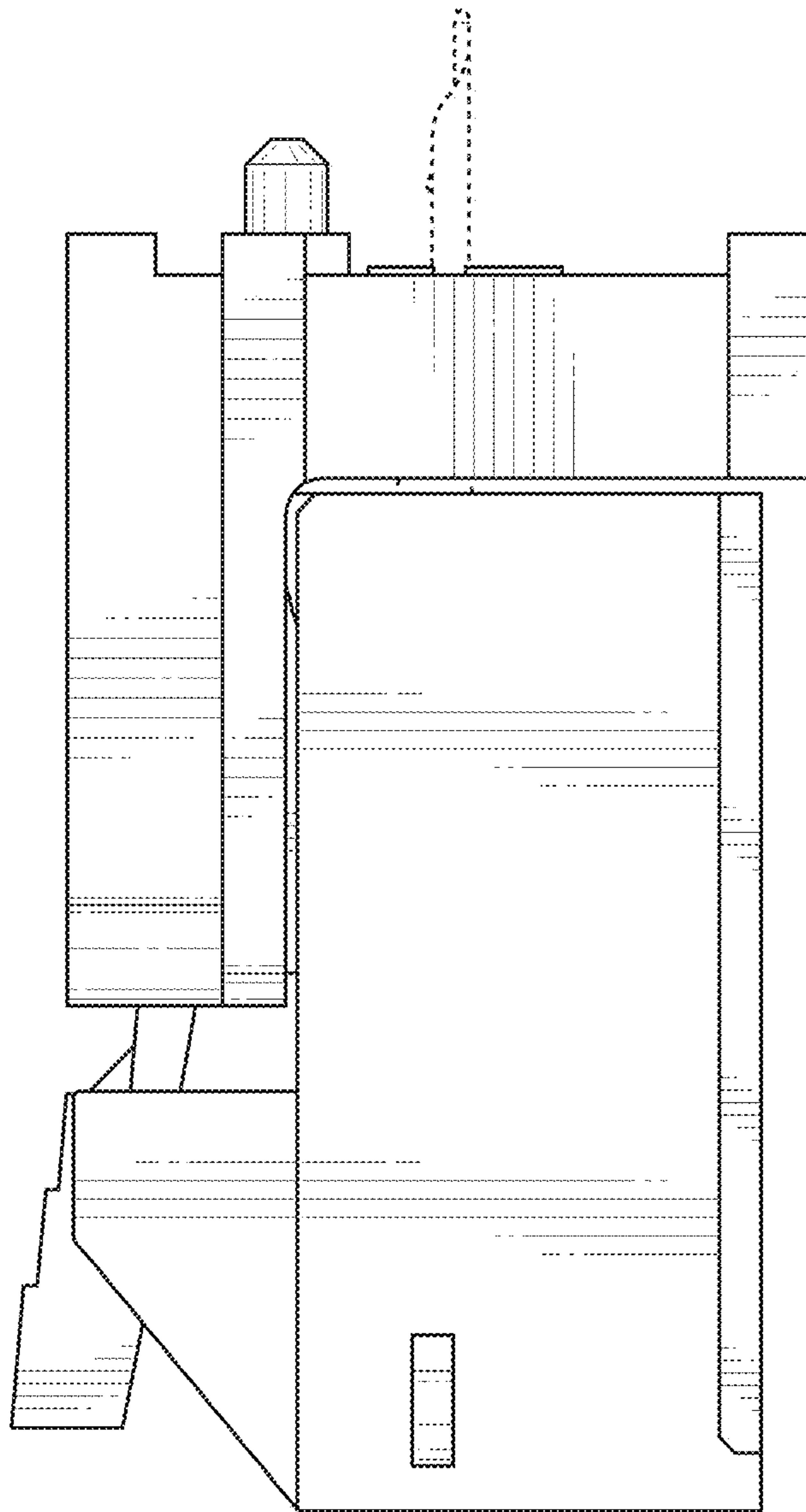


FIG. 37

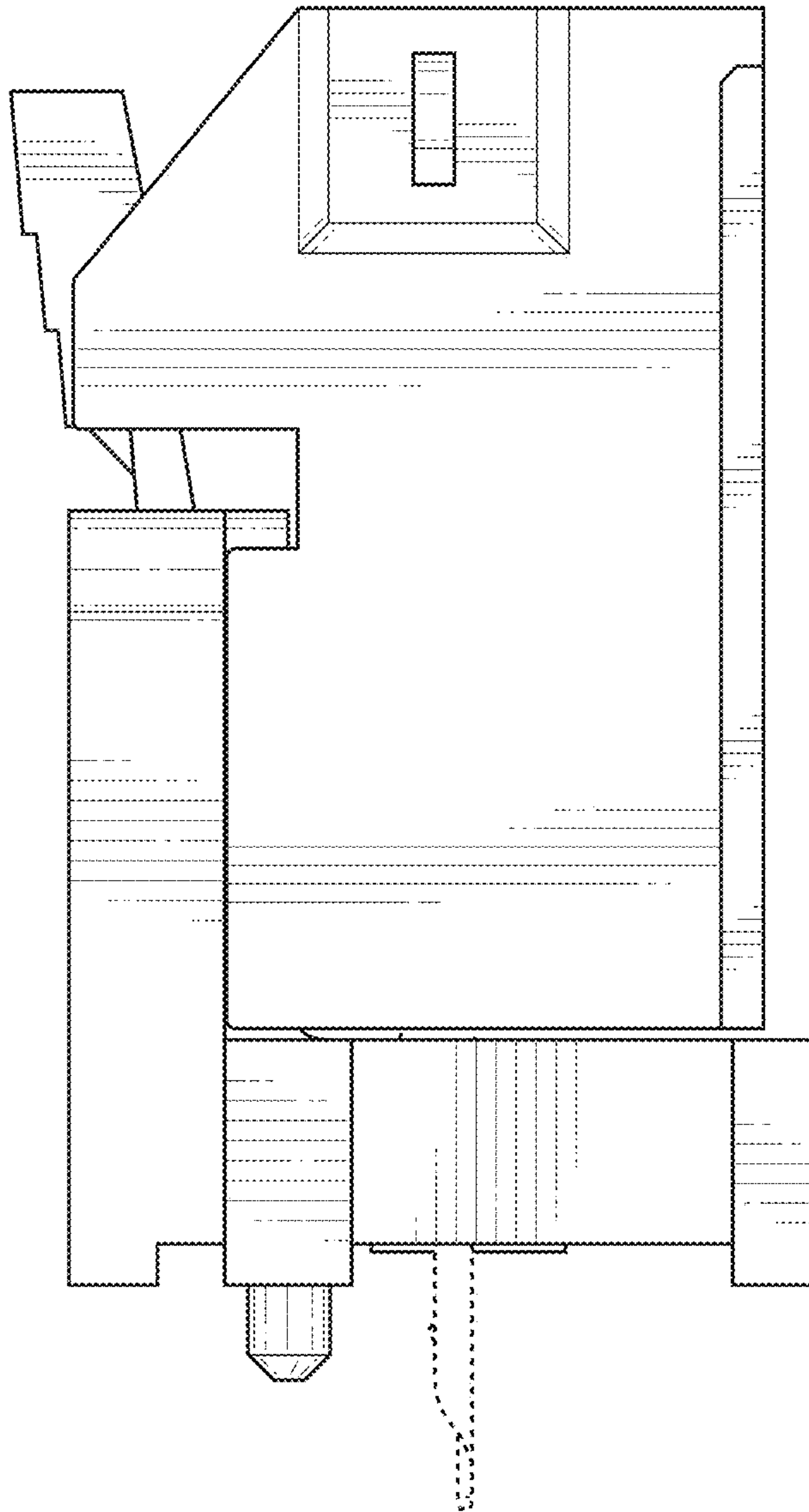


FIG. 38

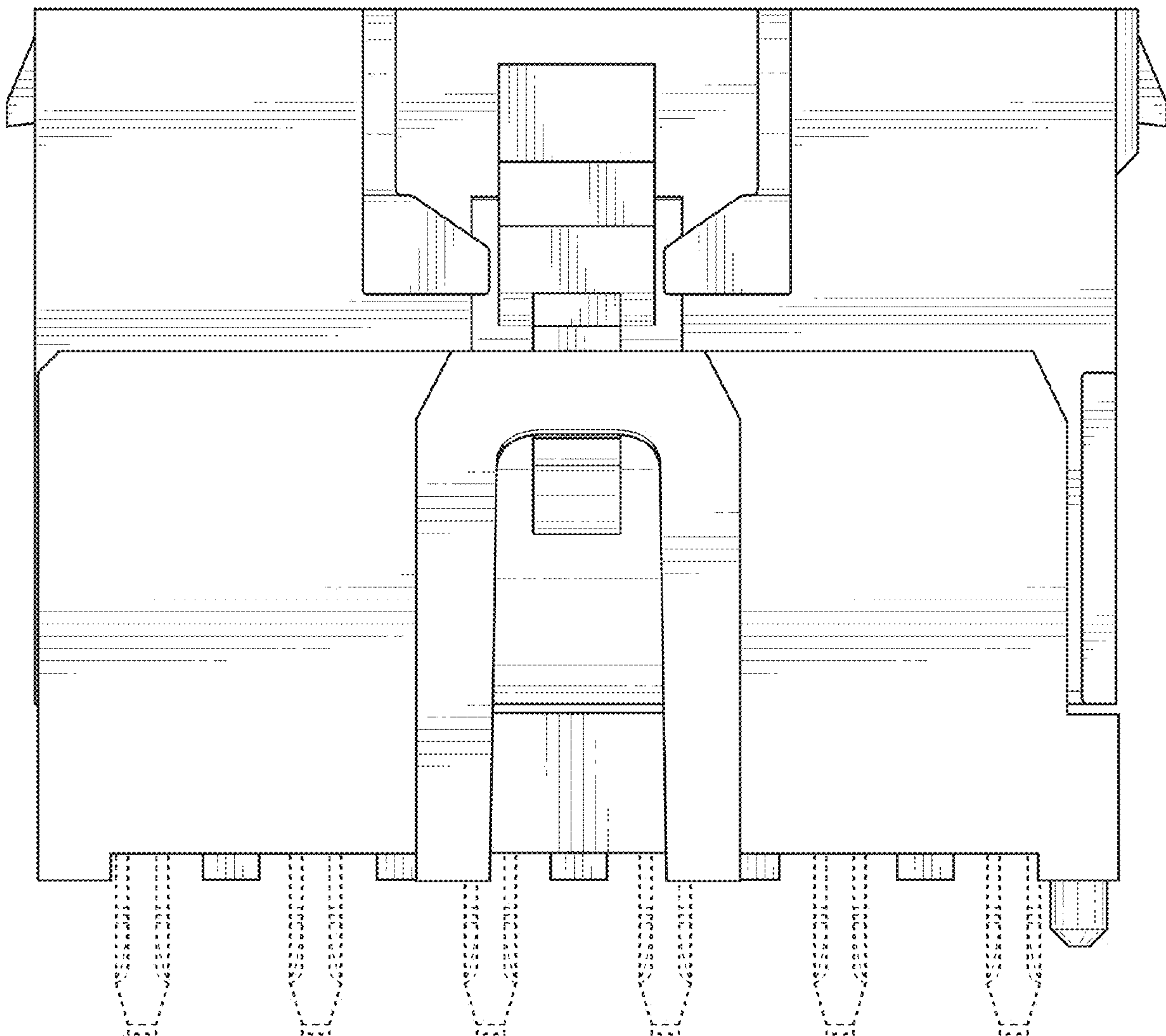


FIG. 39



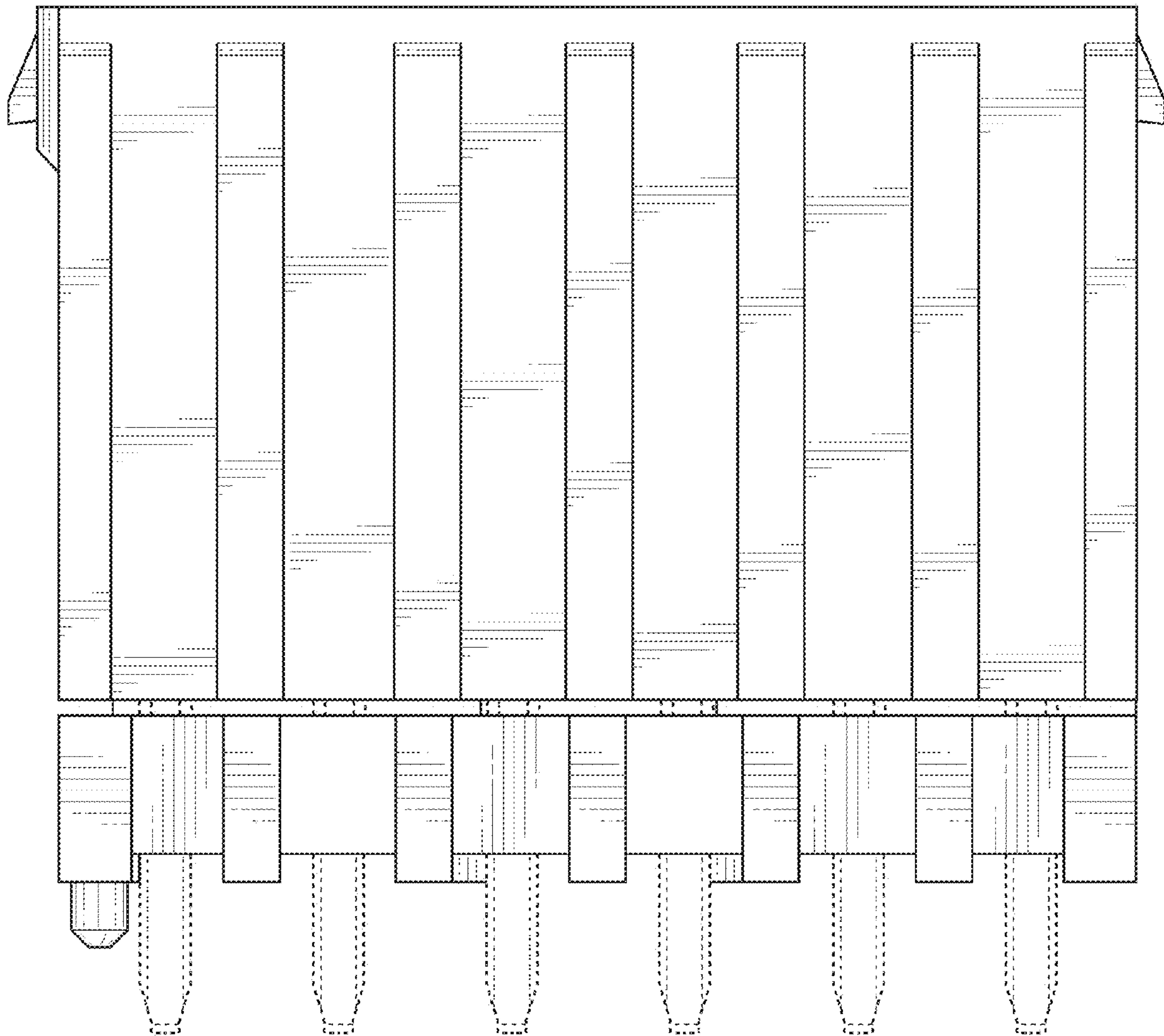


FIG. 40

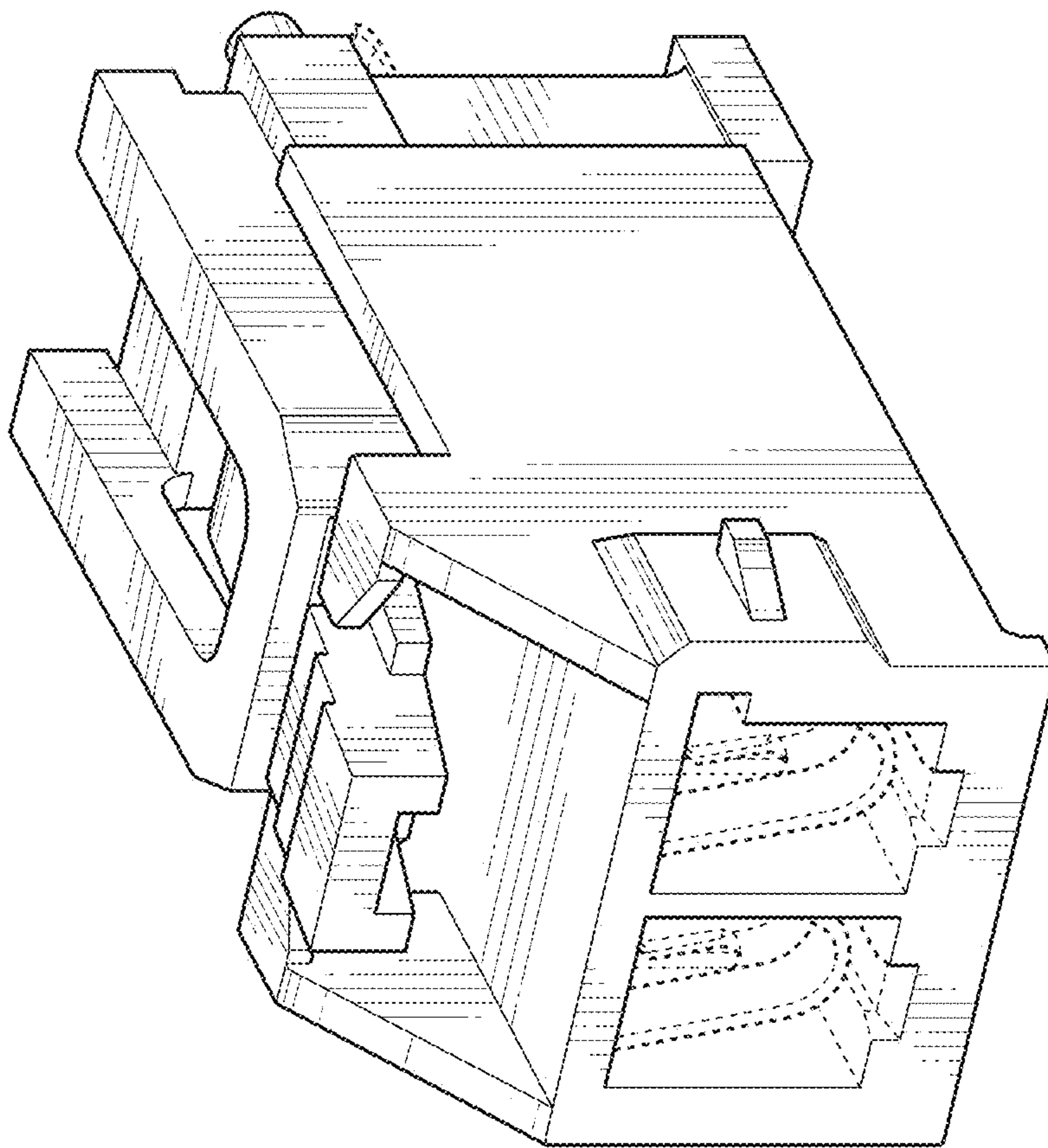


FIG. 41

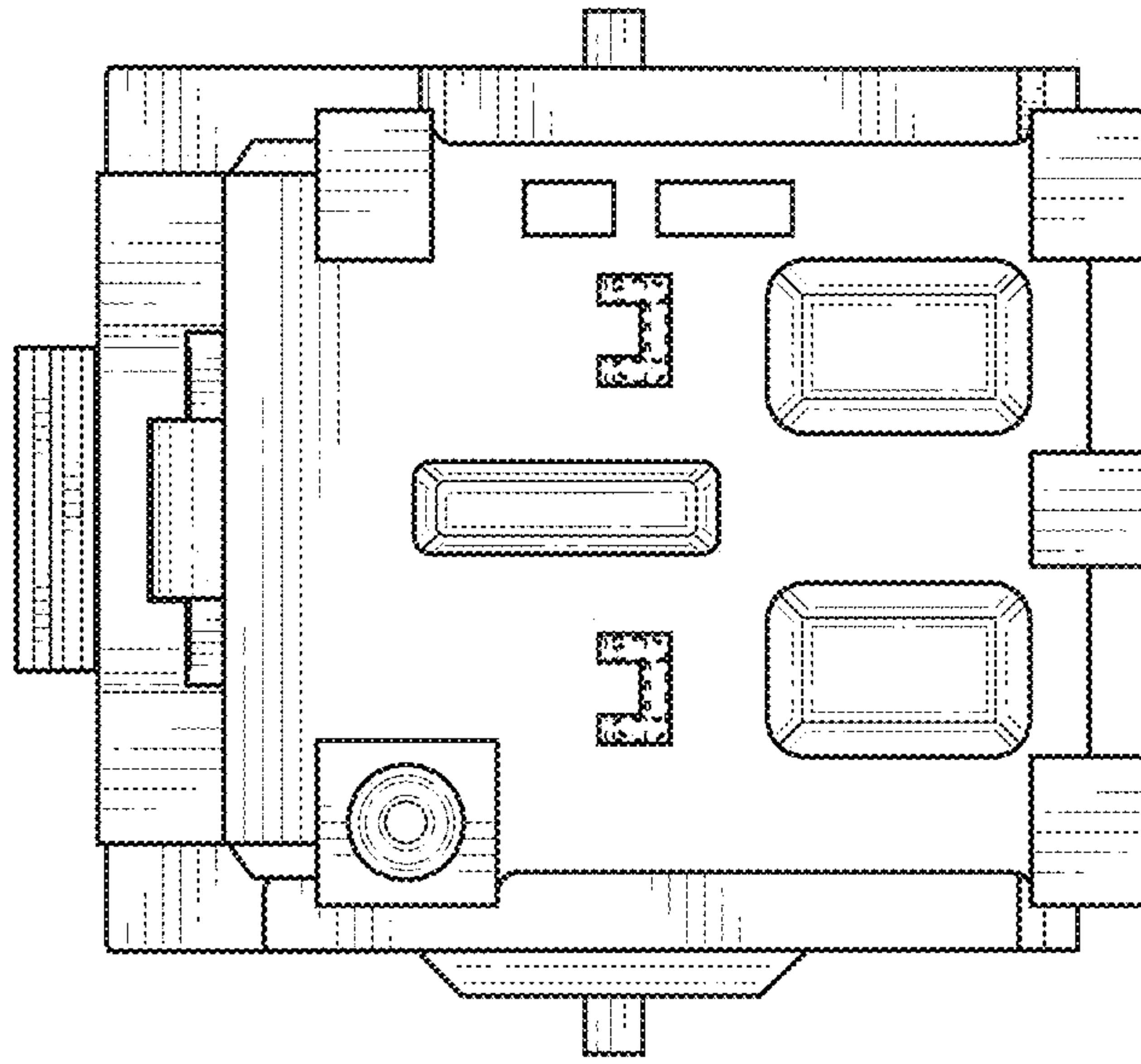


FIG. 43

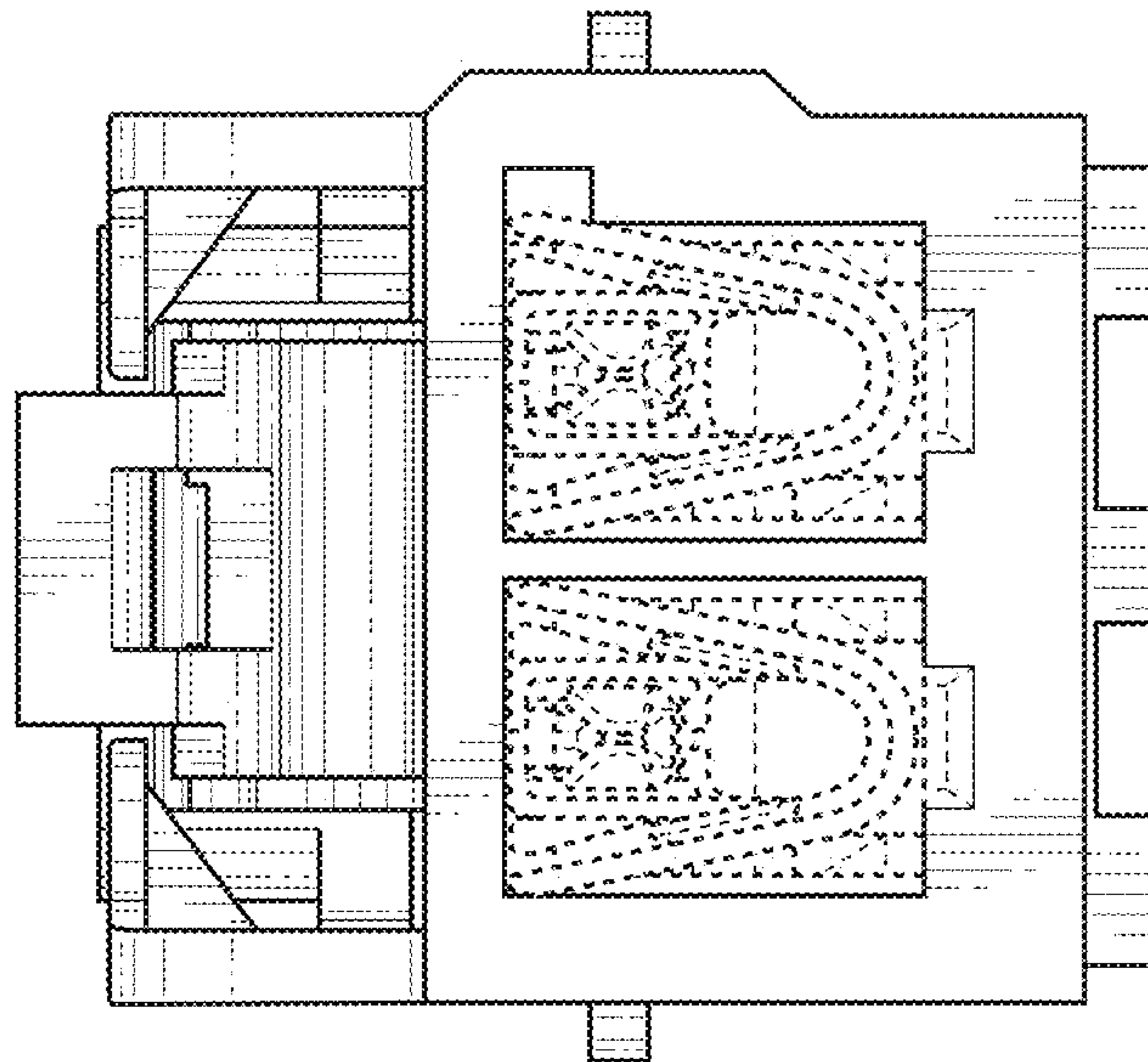


FIG. 42

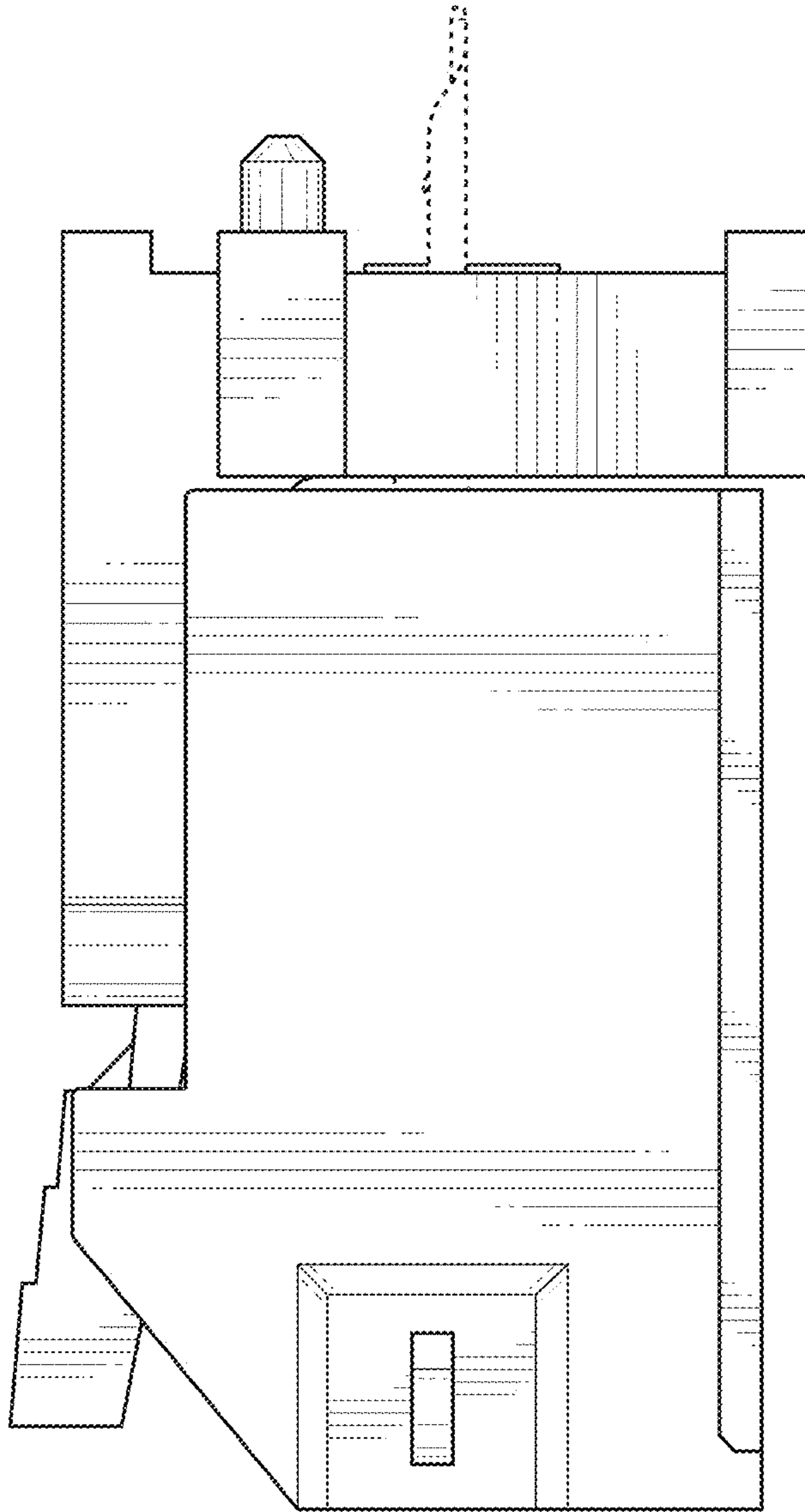


FIG. 44

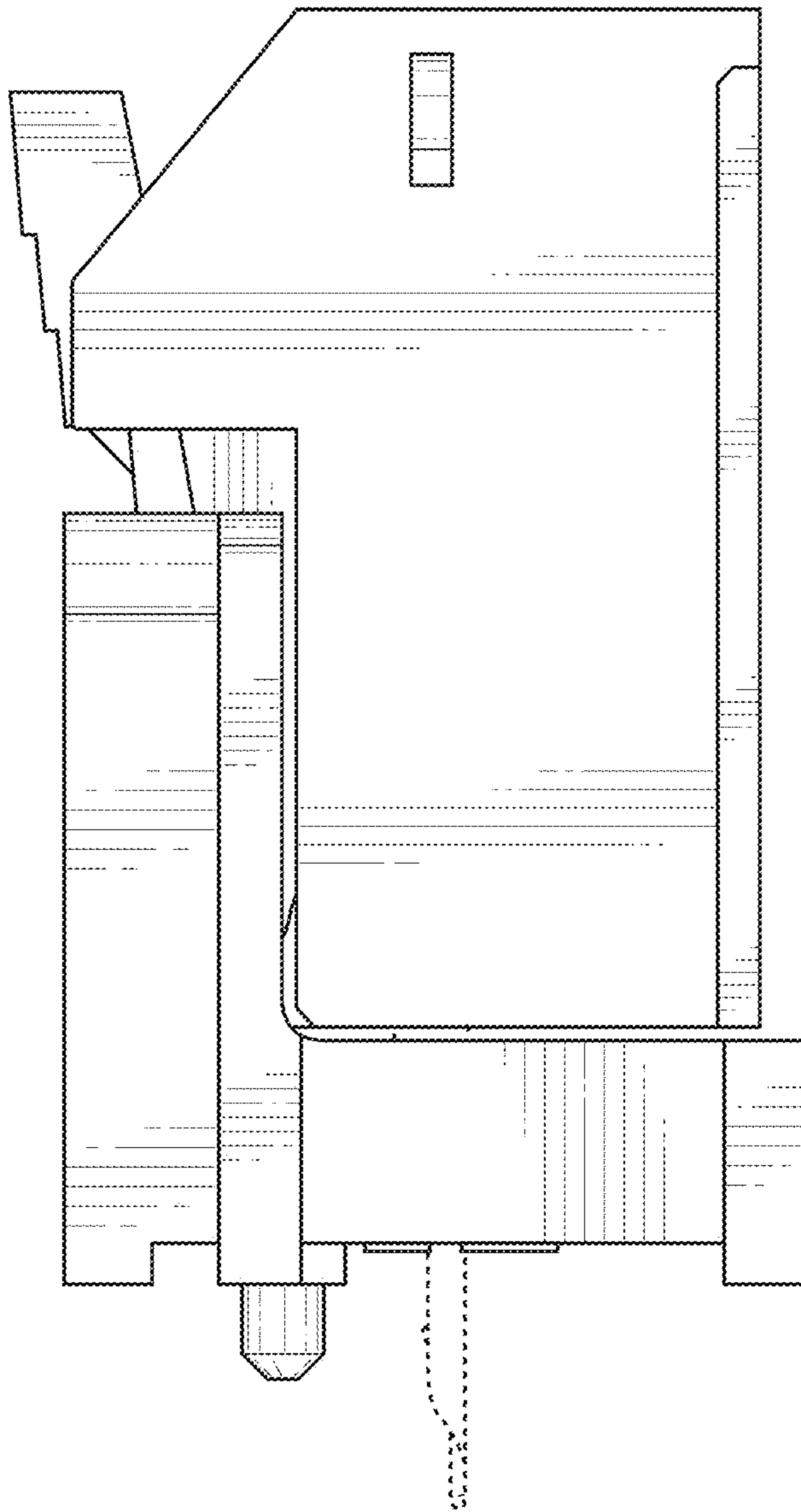


FIG. 45



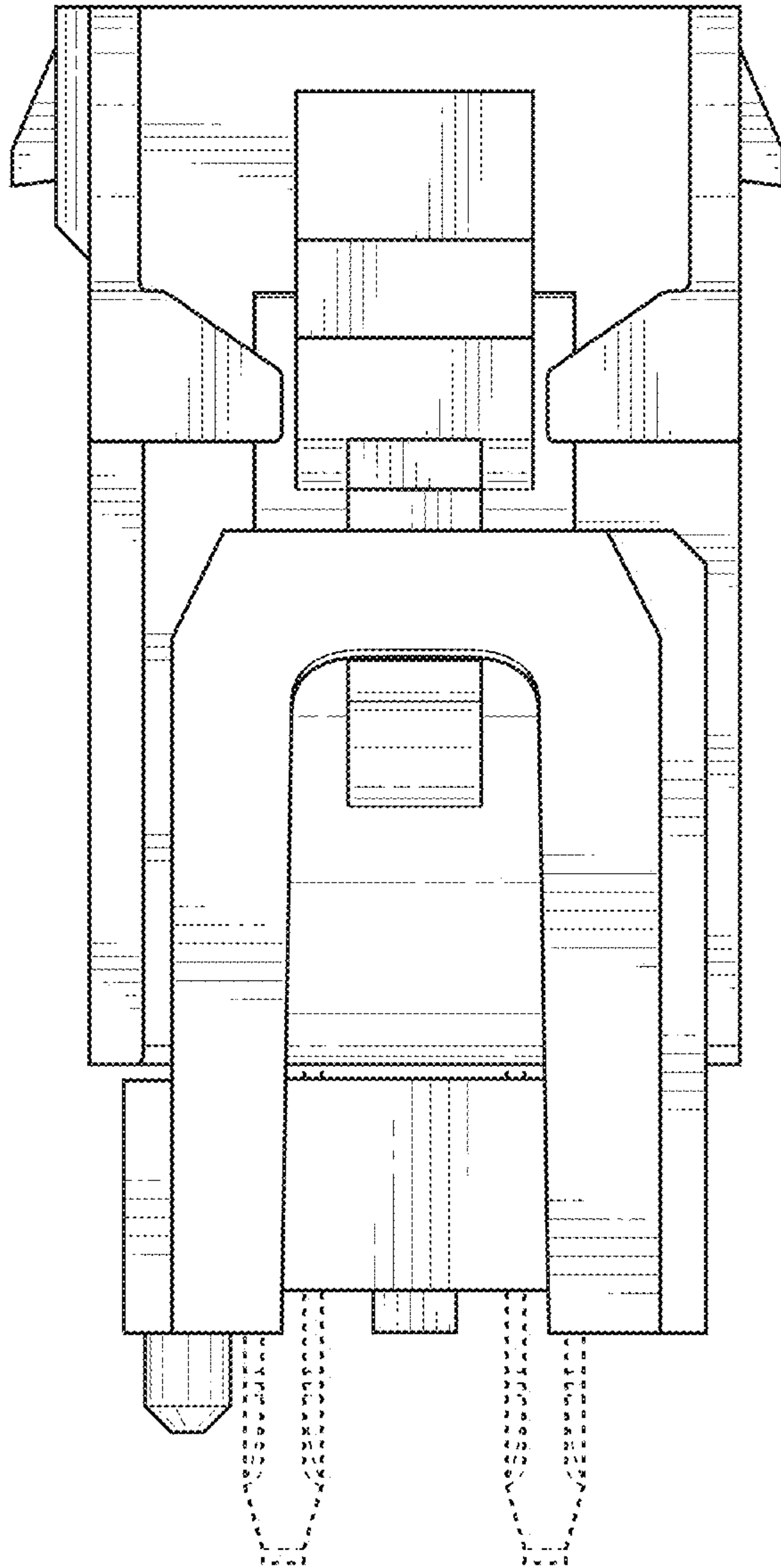


FIG. 46

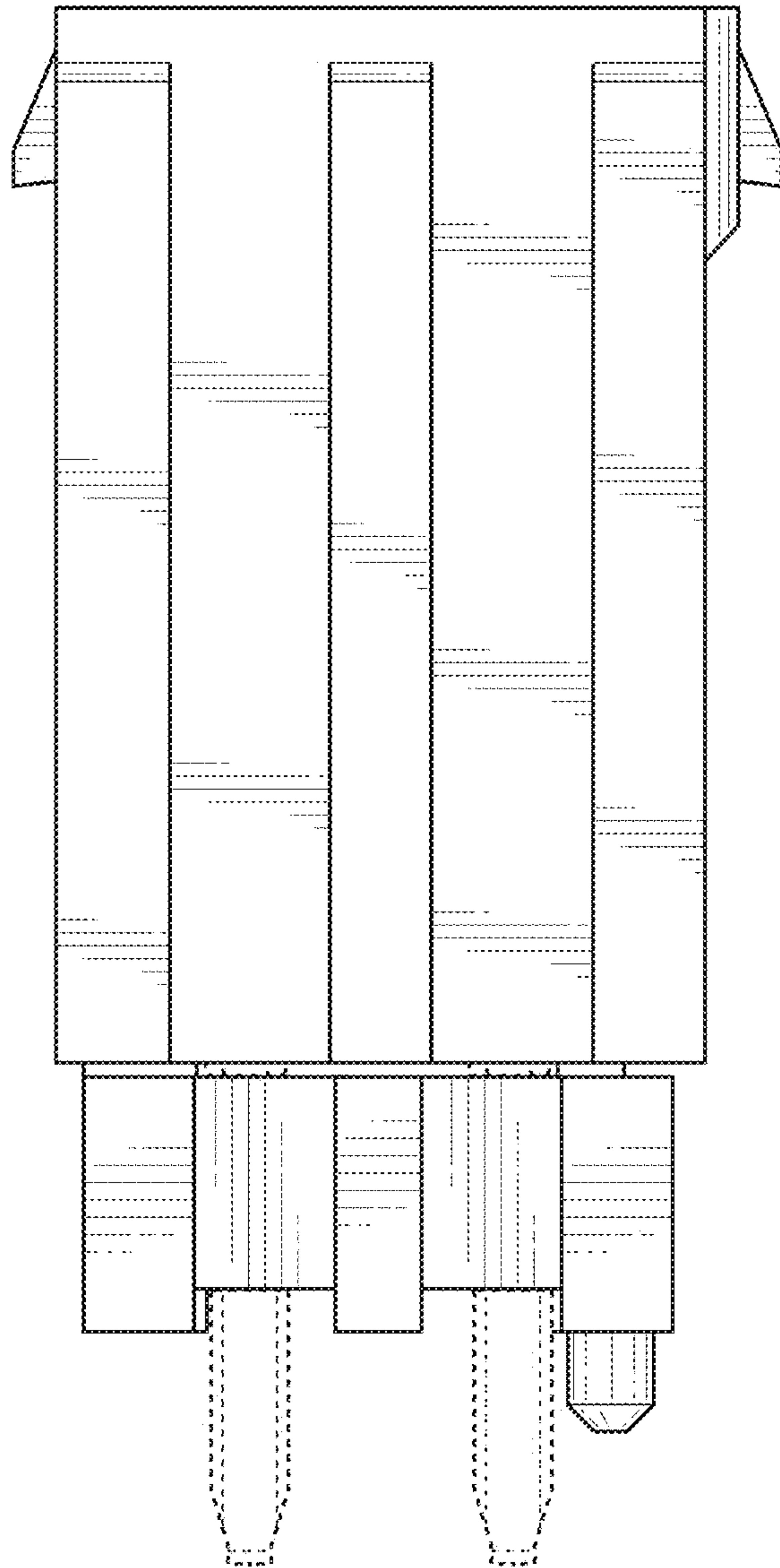


FIG. 47

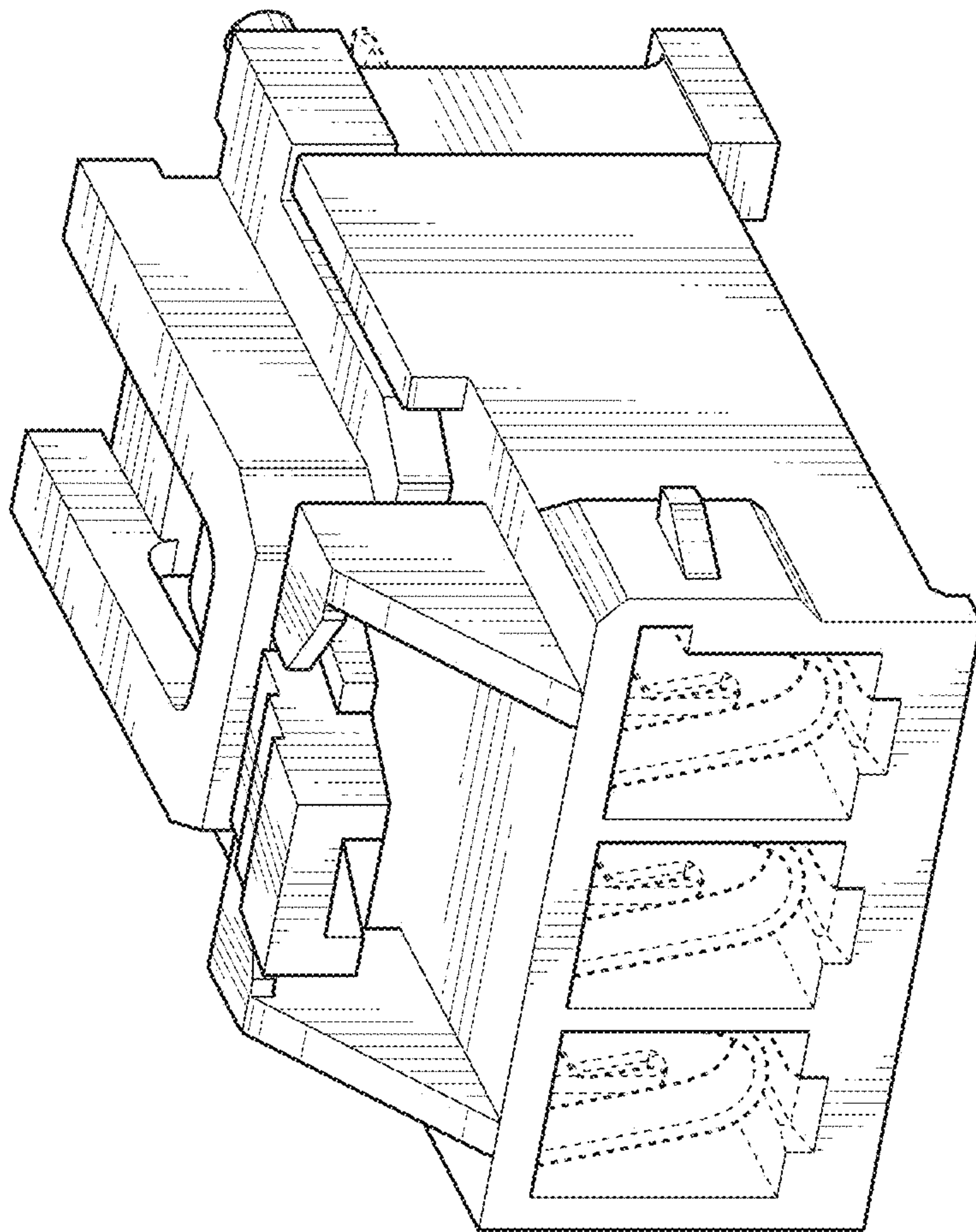


FIG. 48

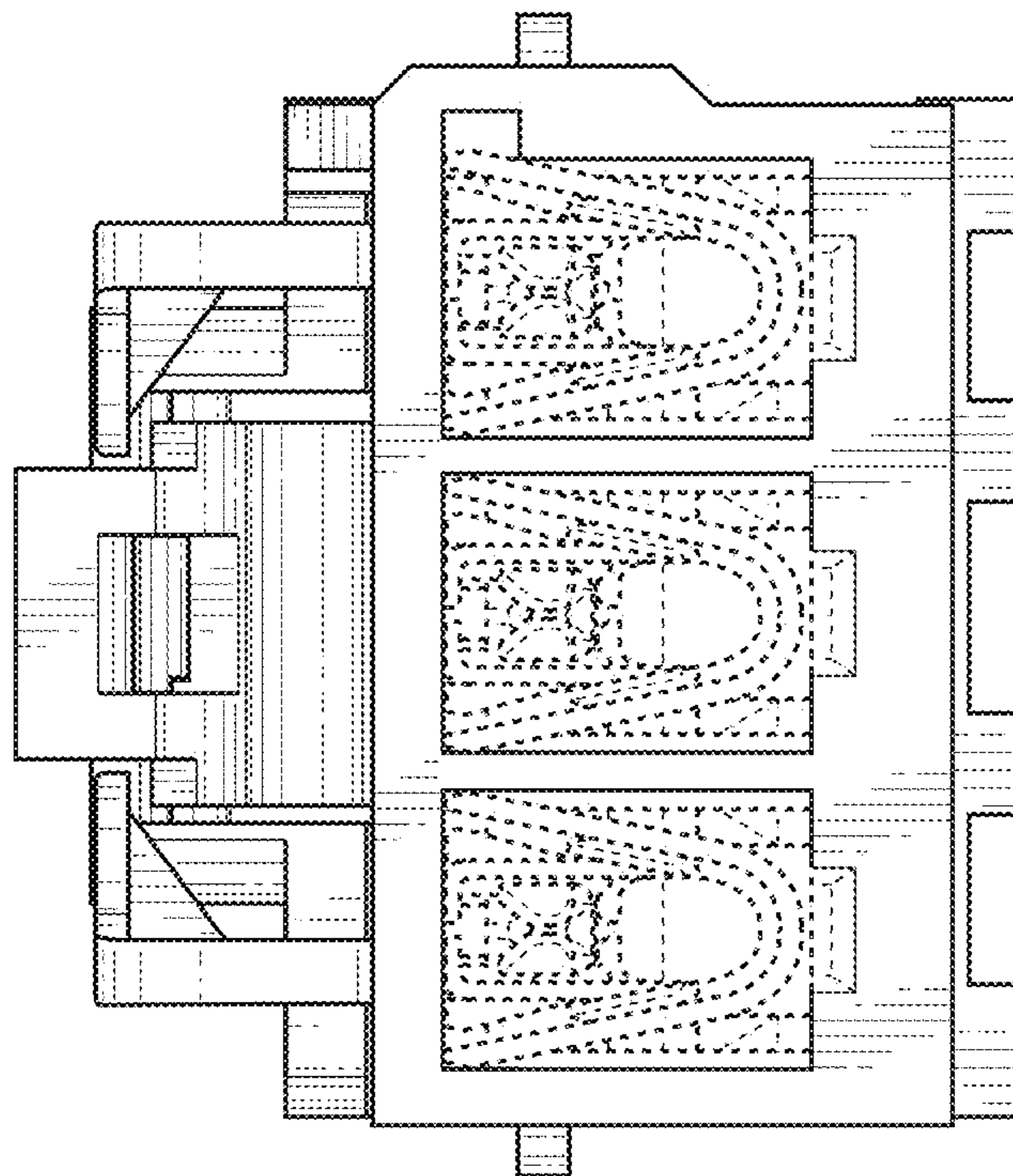
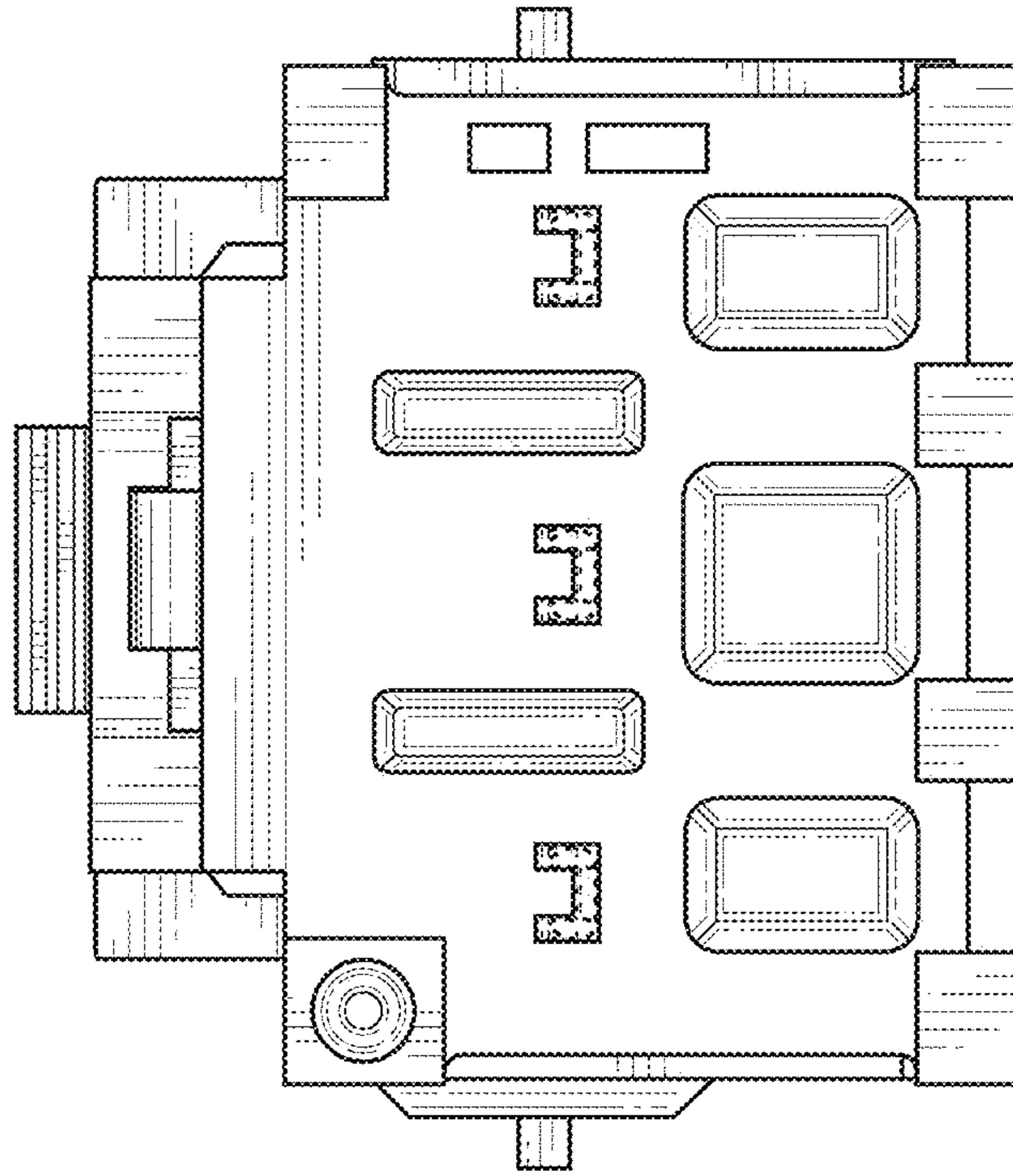


FIG. 49

FIG. 50

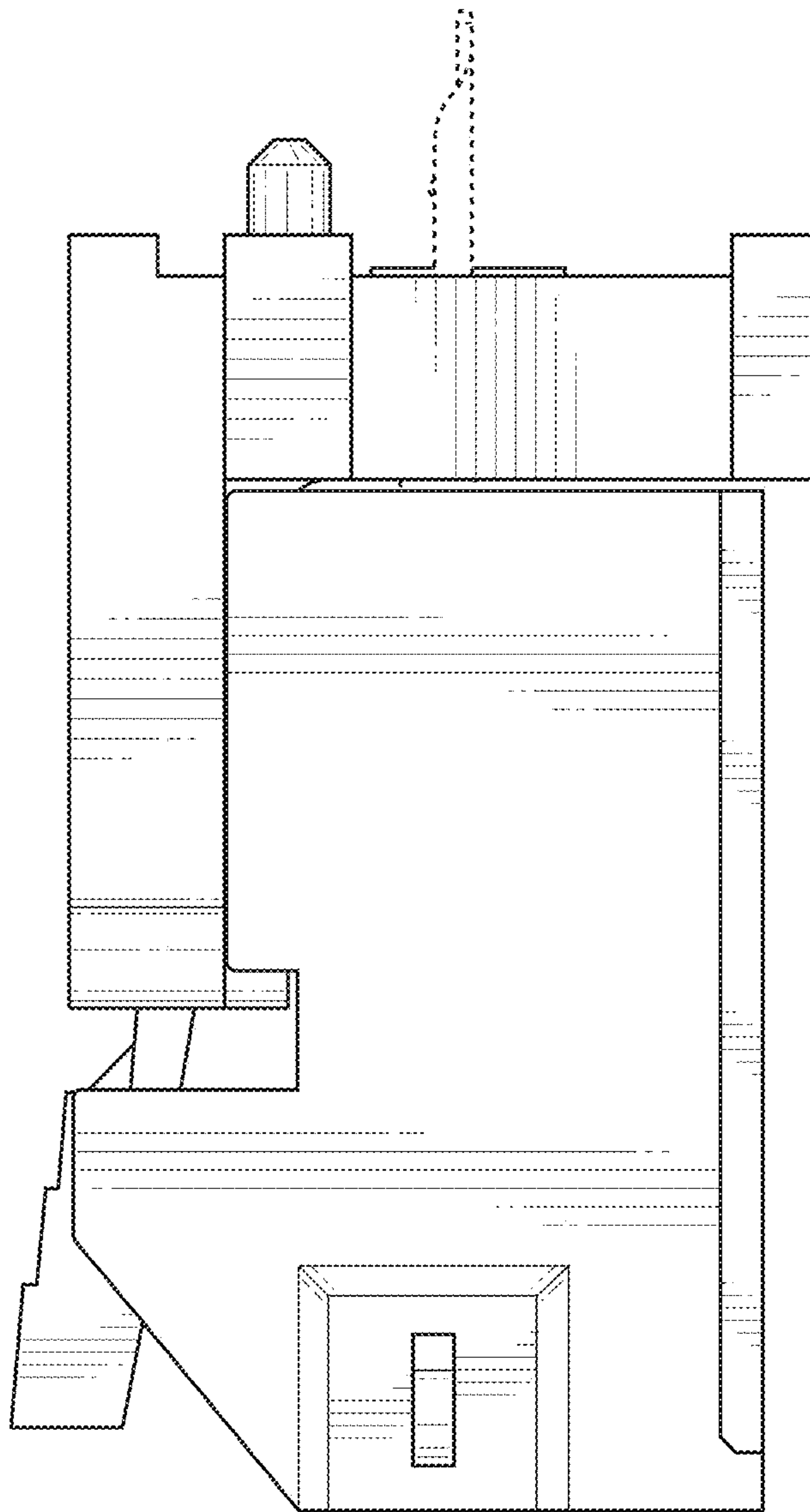


FIG. 51



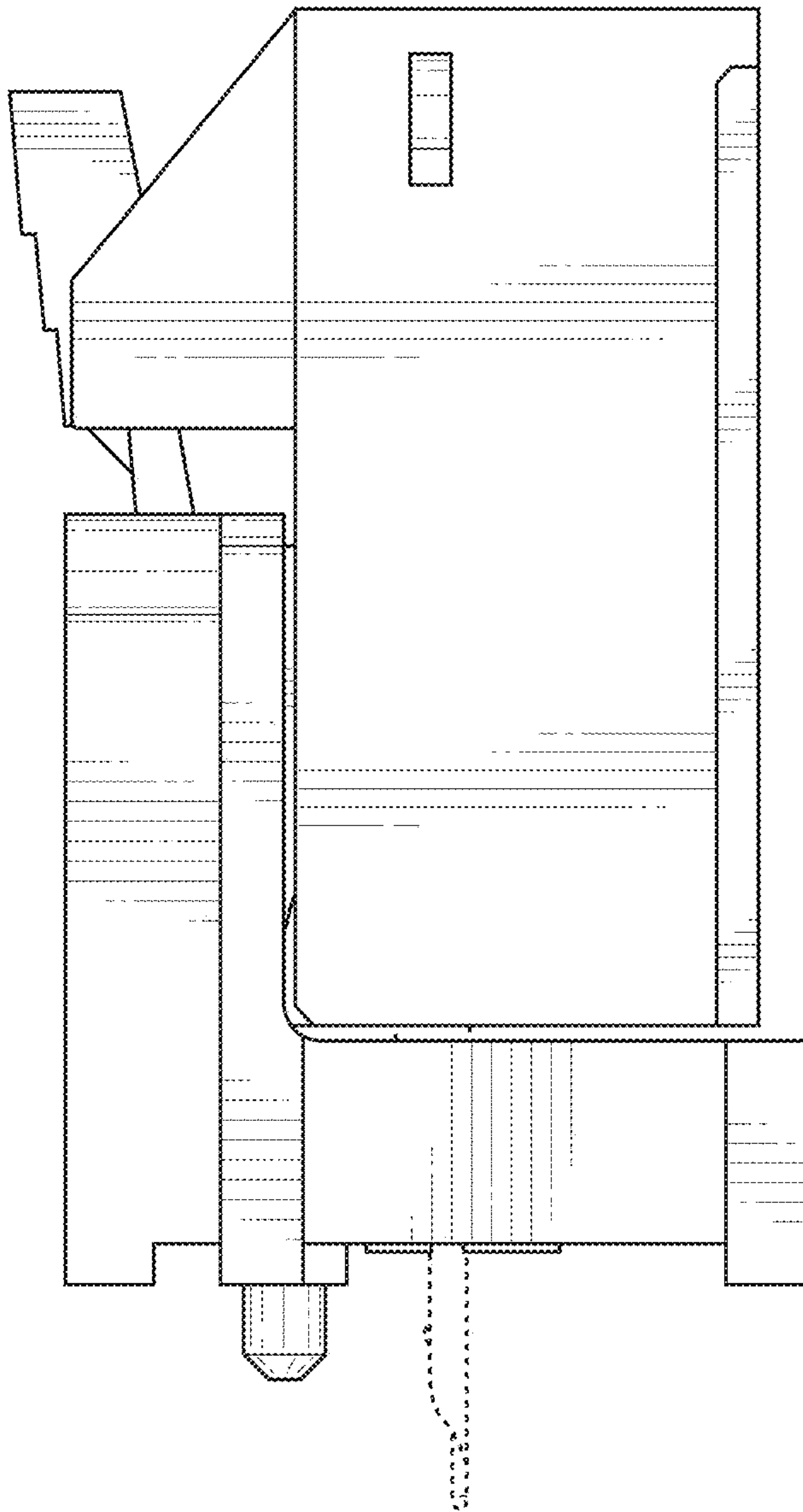


FIG. 52

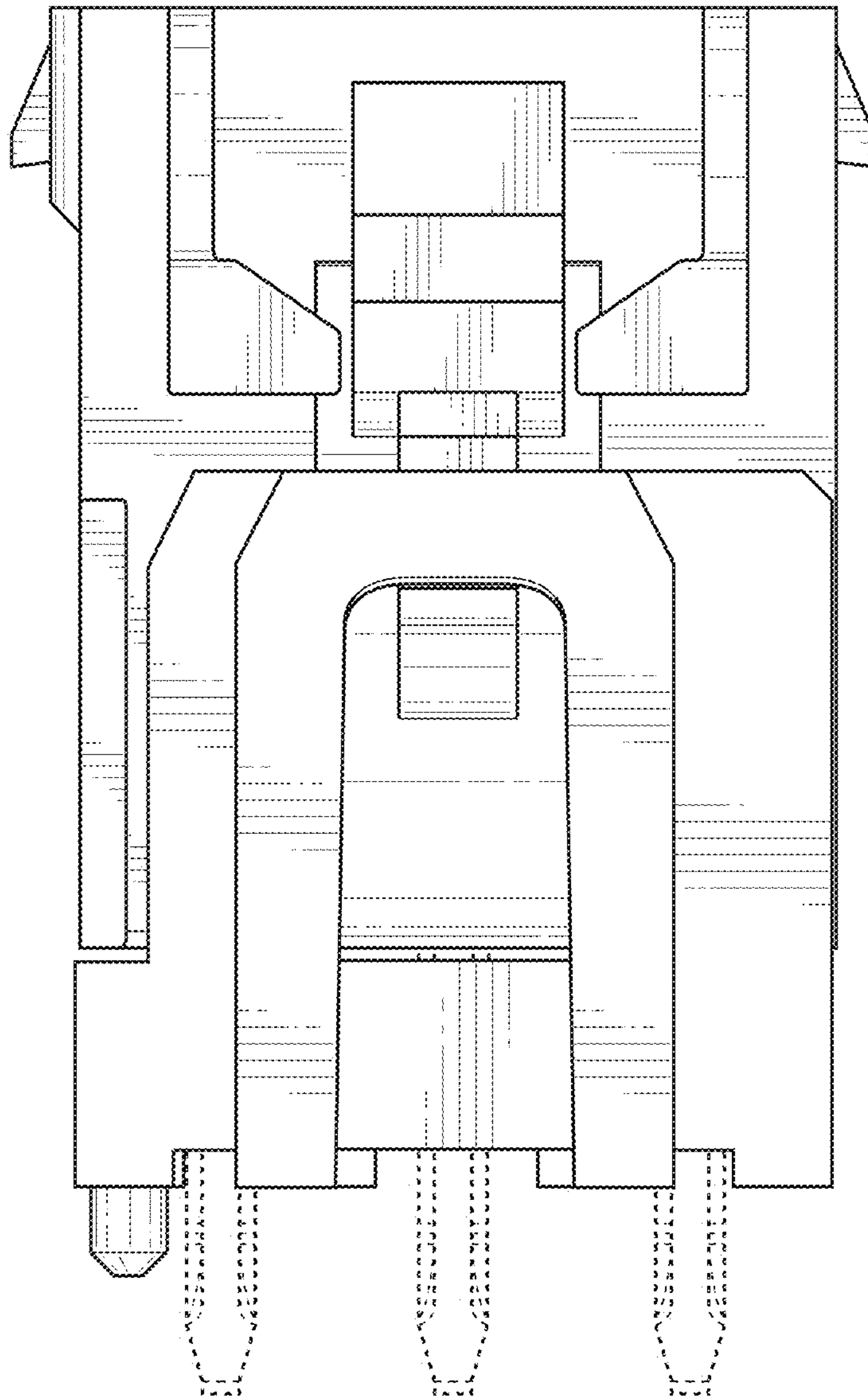


FIG. 53

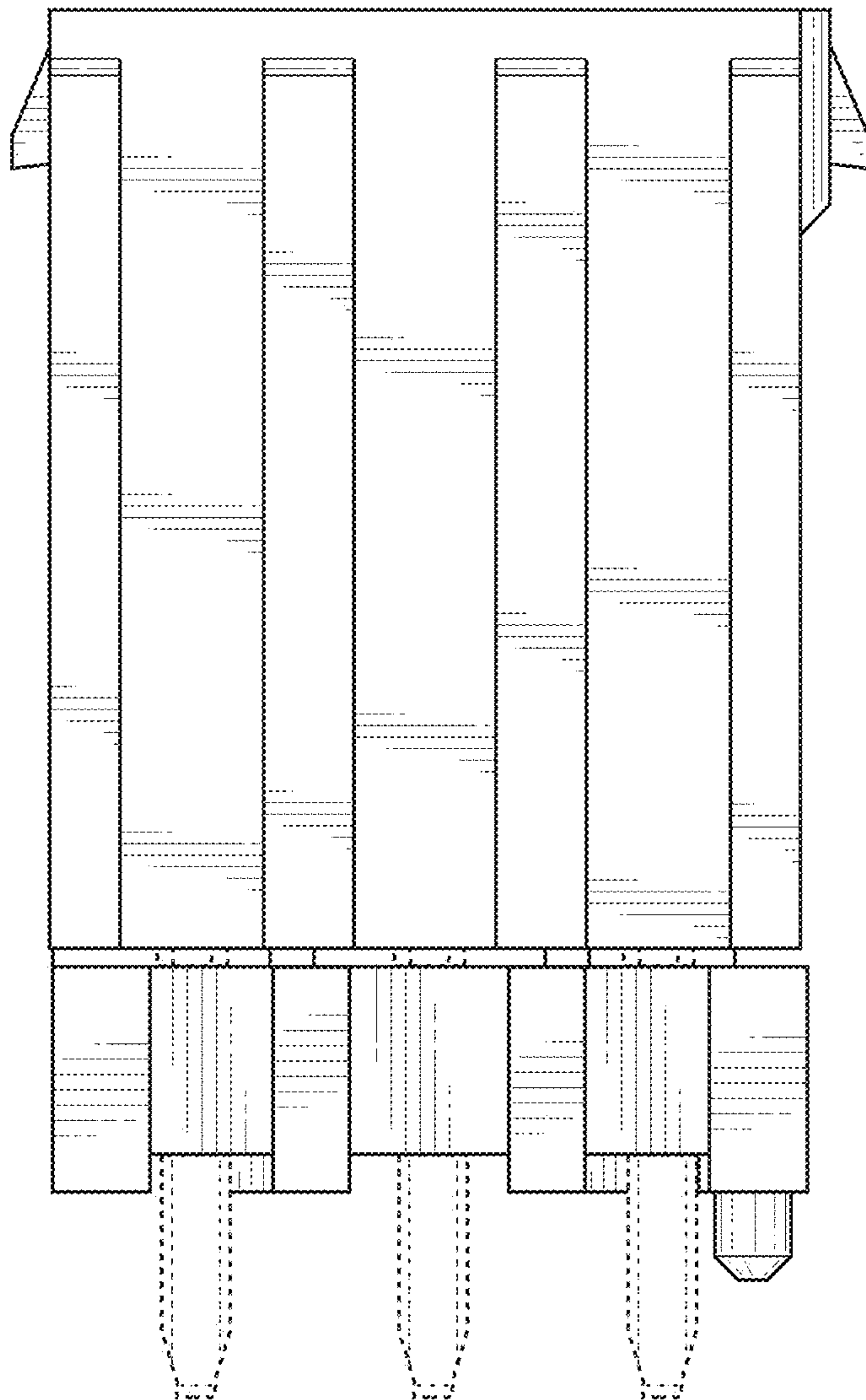


FIG. 54

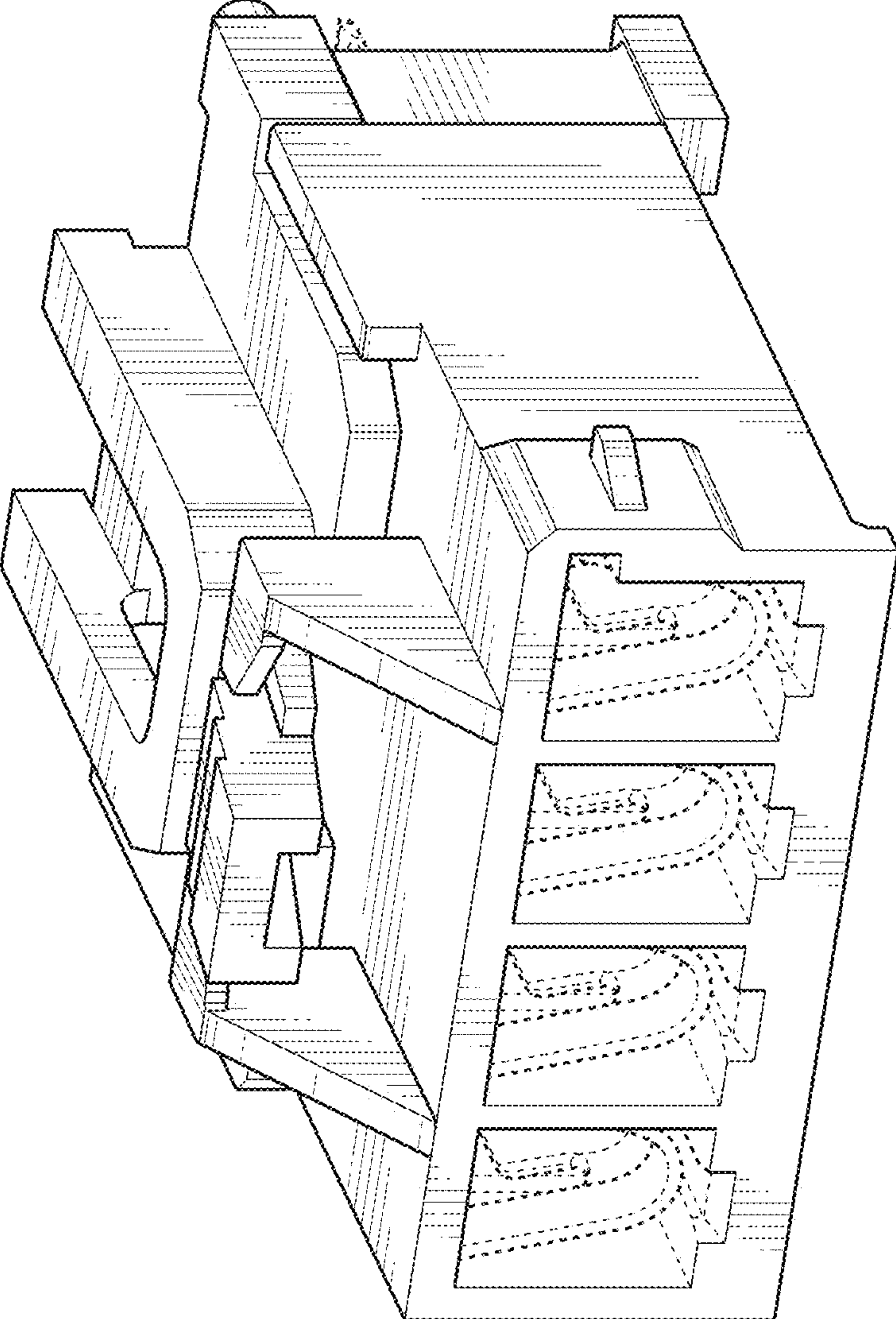


FIG. 55

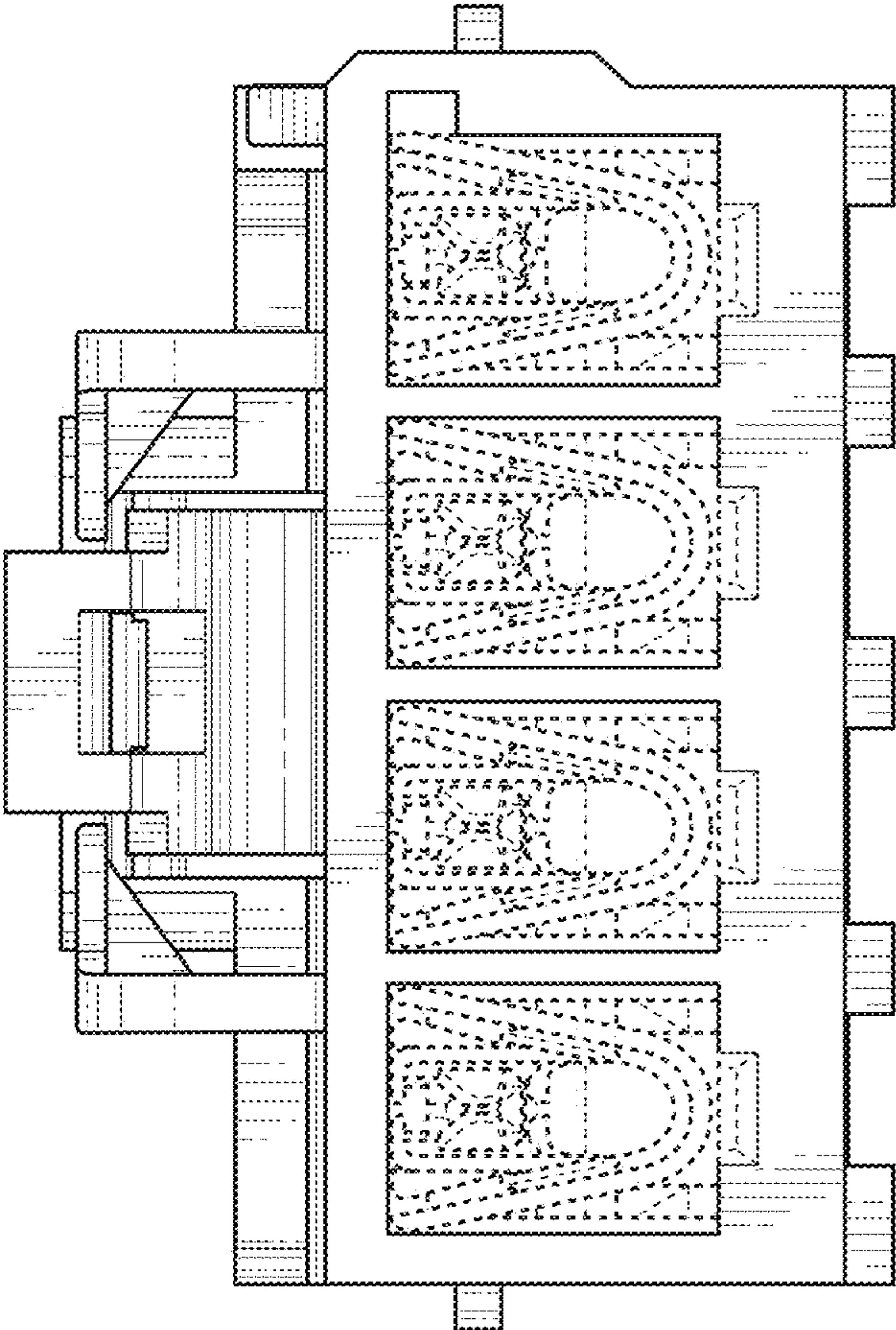


FIG. 56



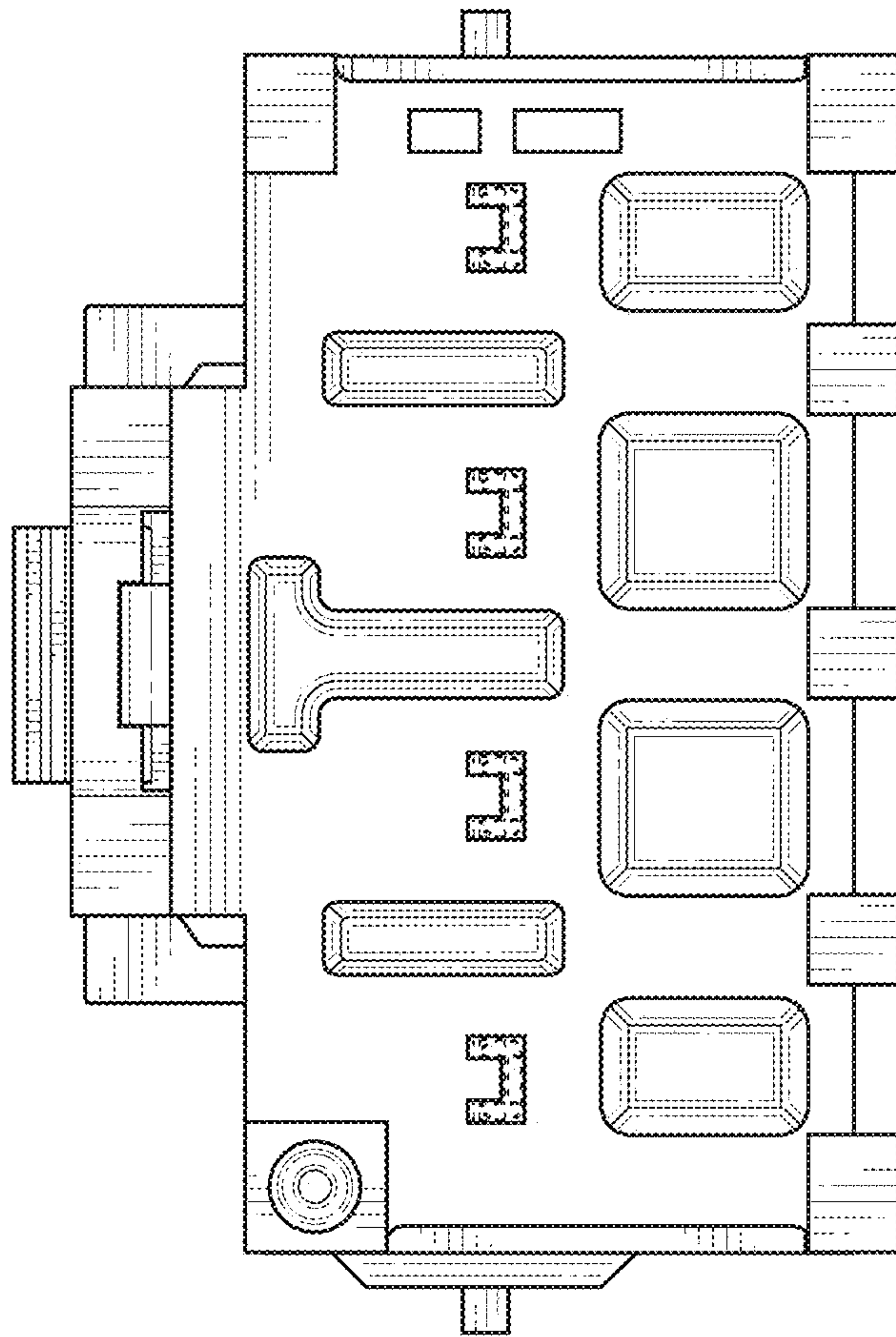


FIG. 57

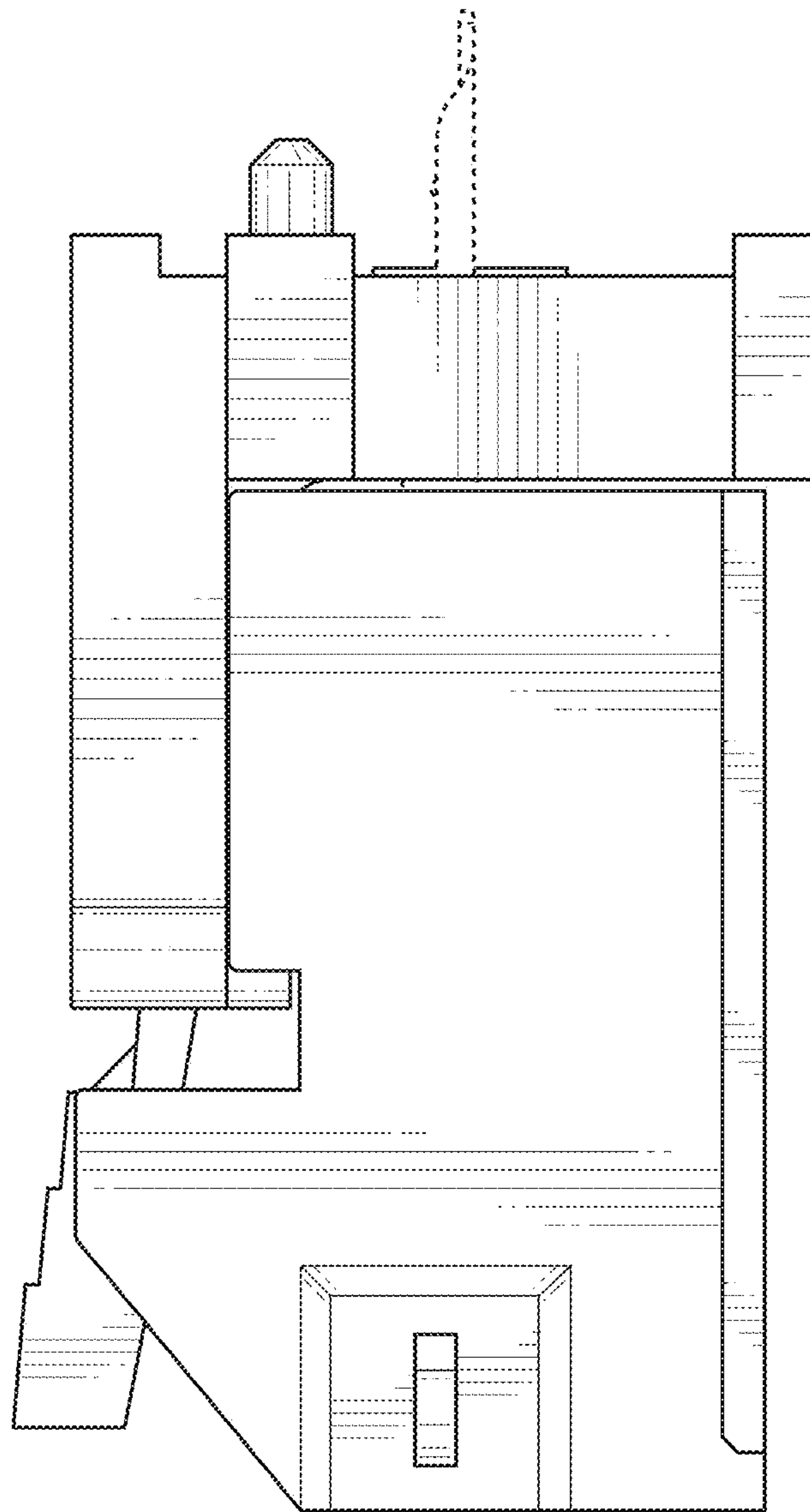


FIG. 58

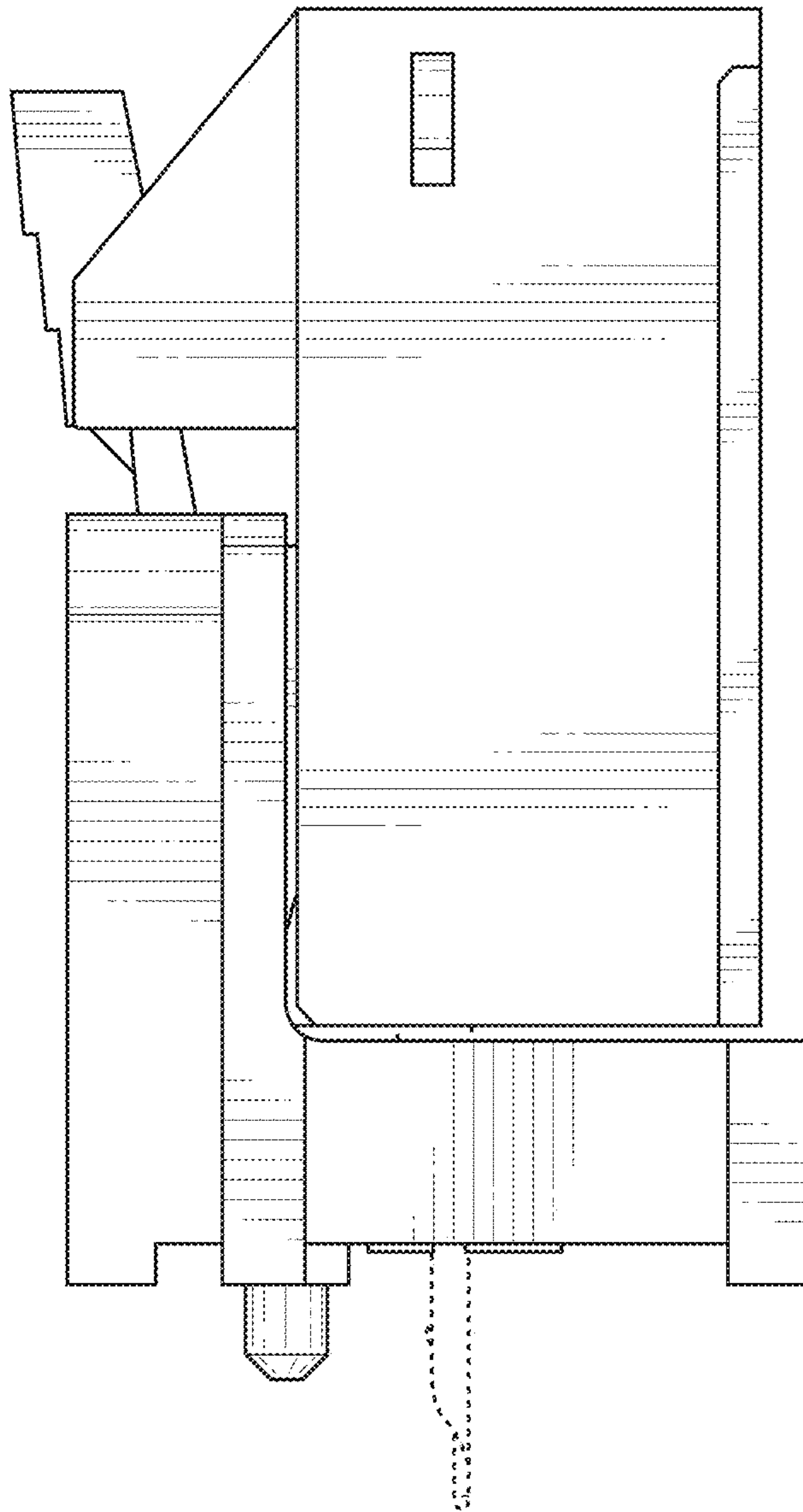


FIG. 59

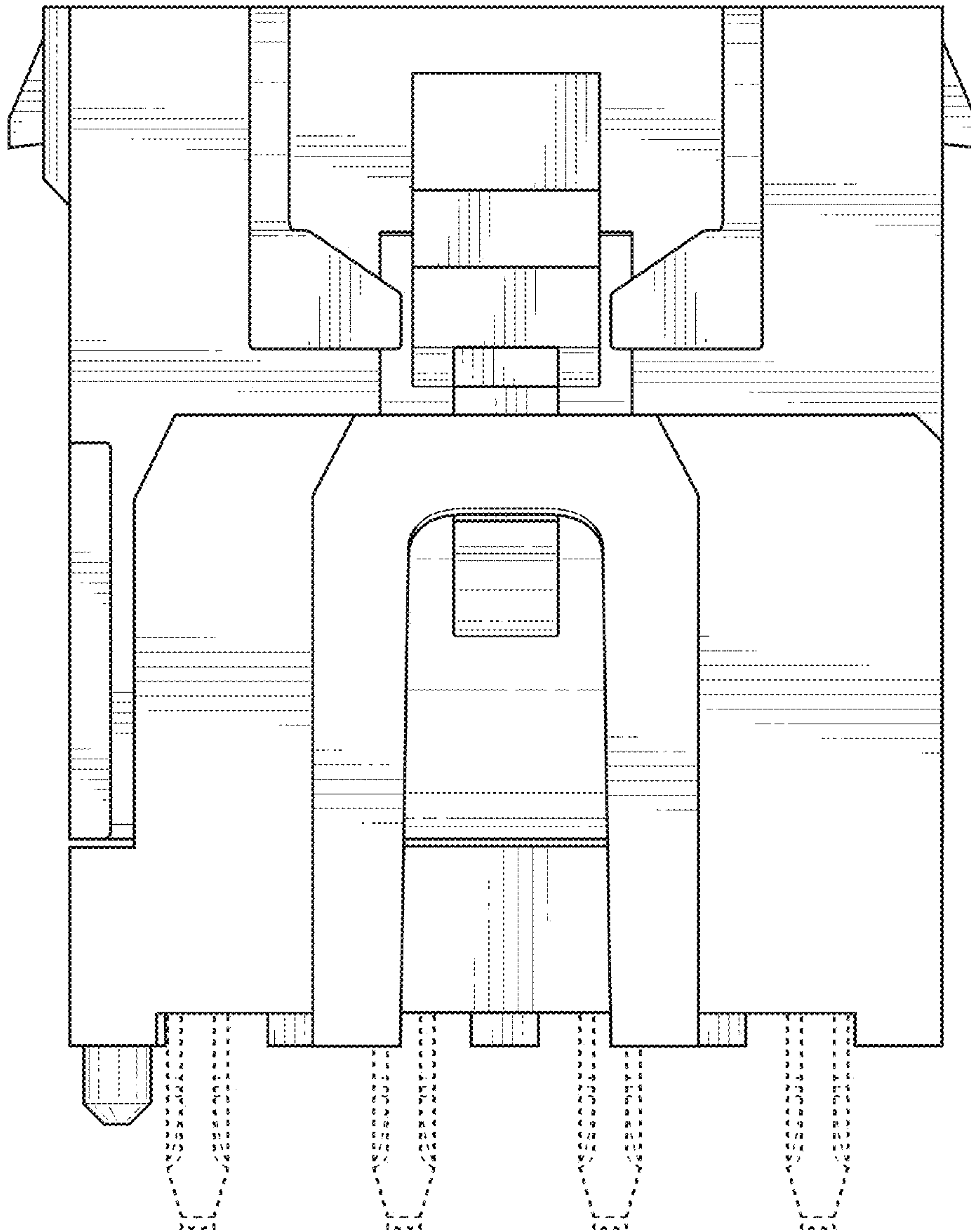


FIG. 60

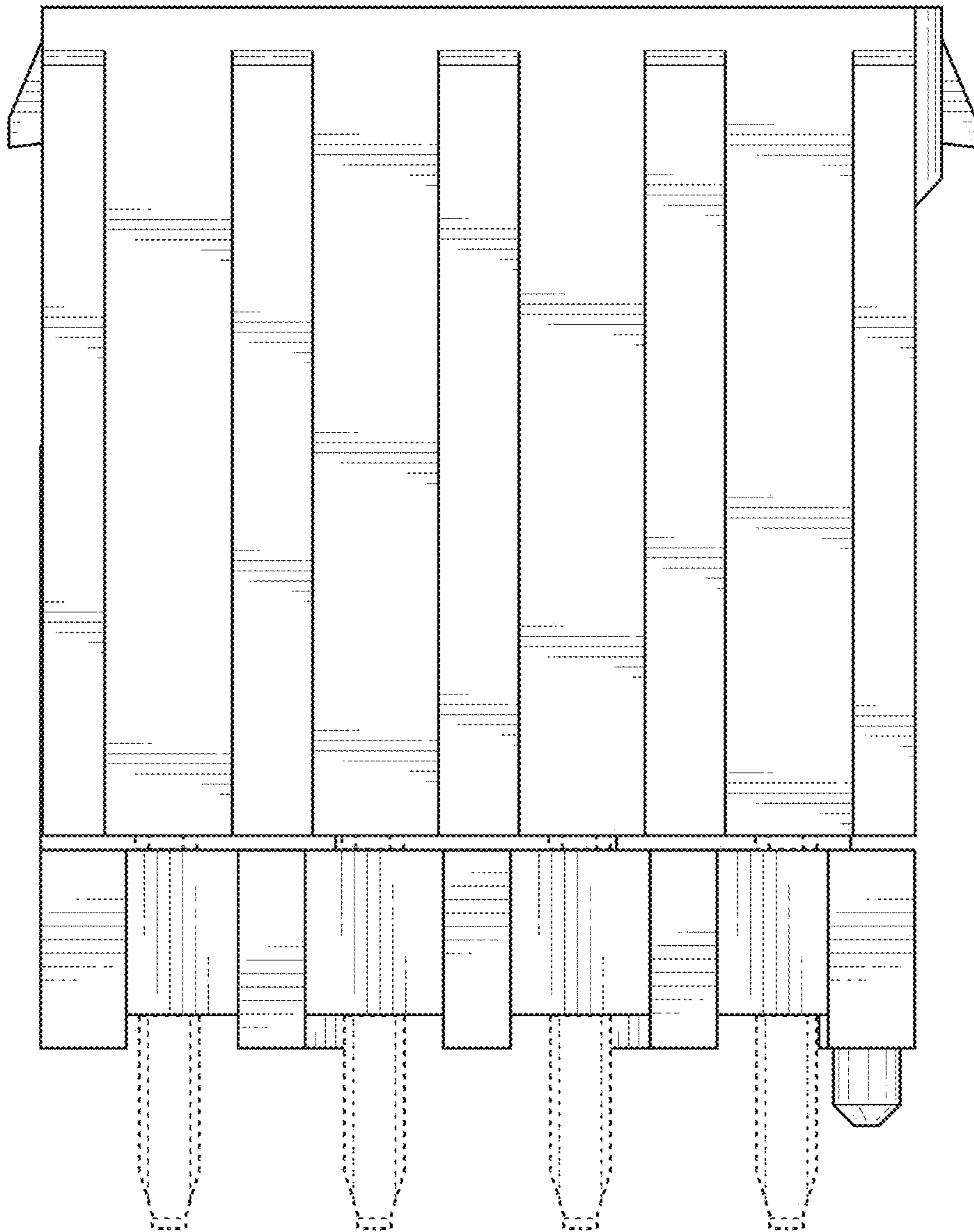


FIG. 61



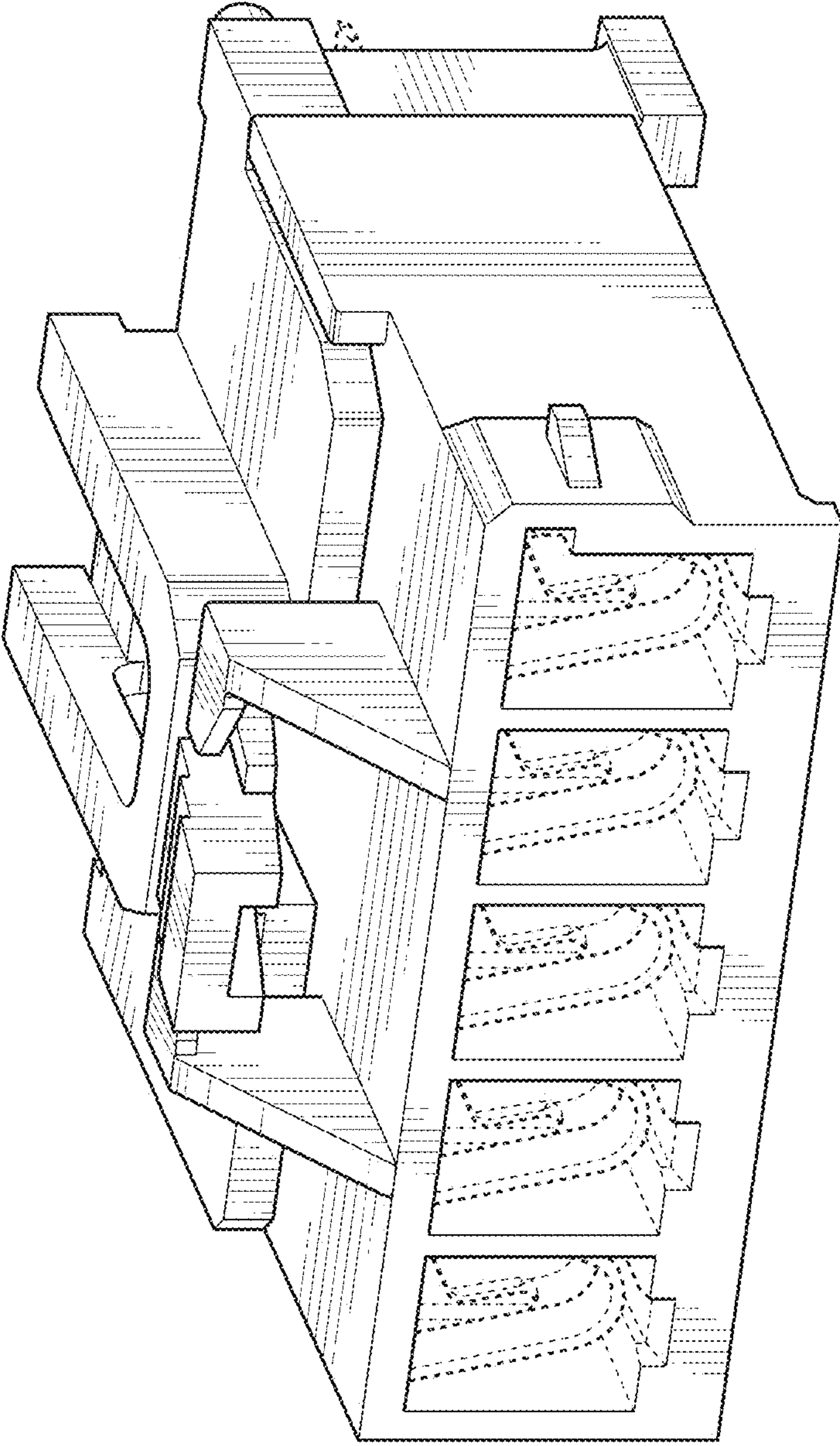


FIG. 62

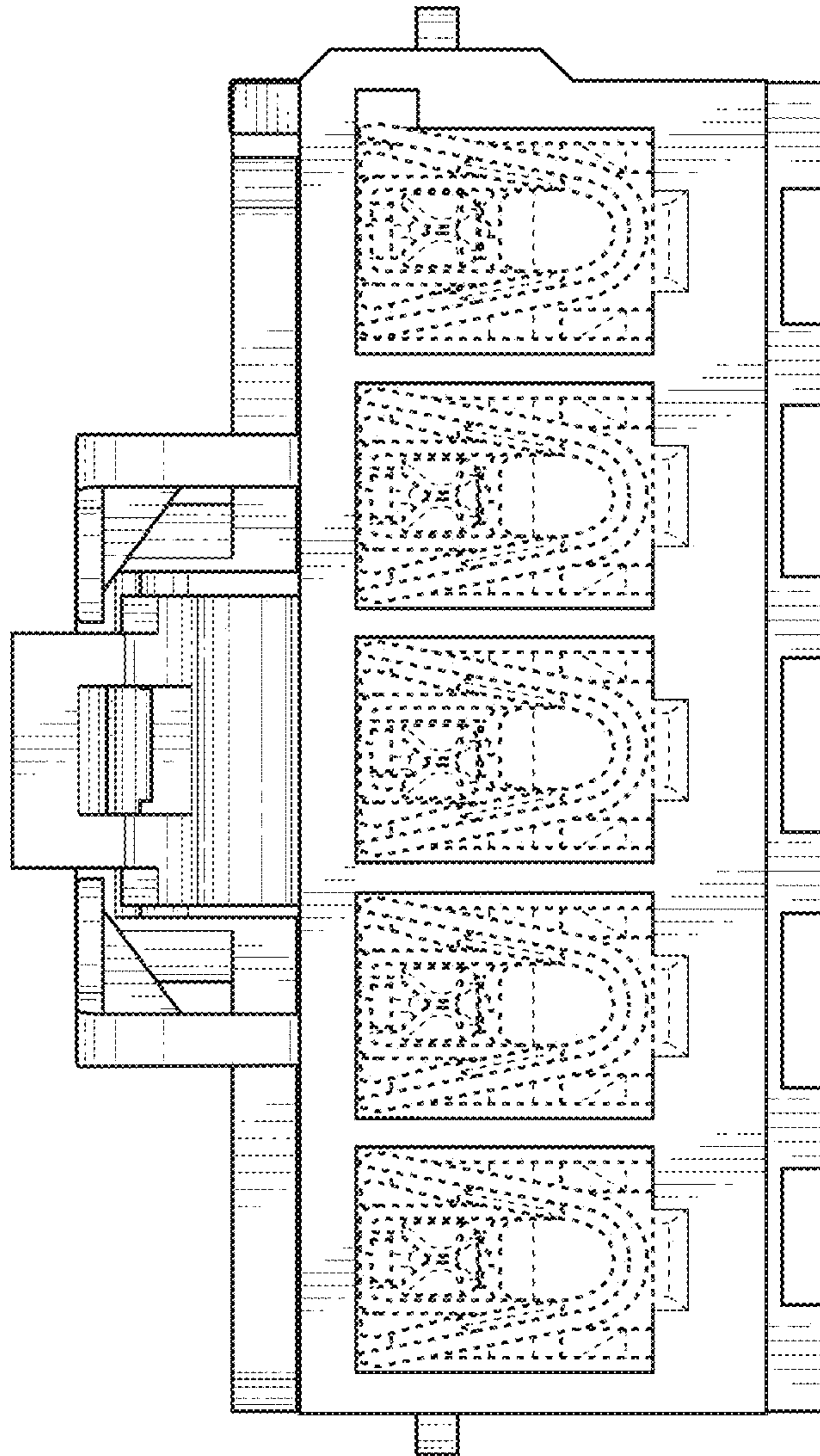


FIG. 63

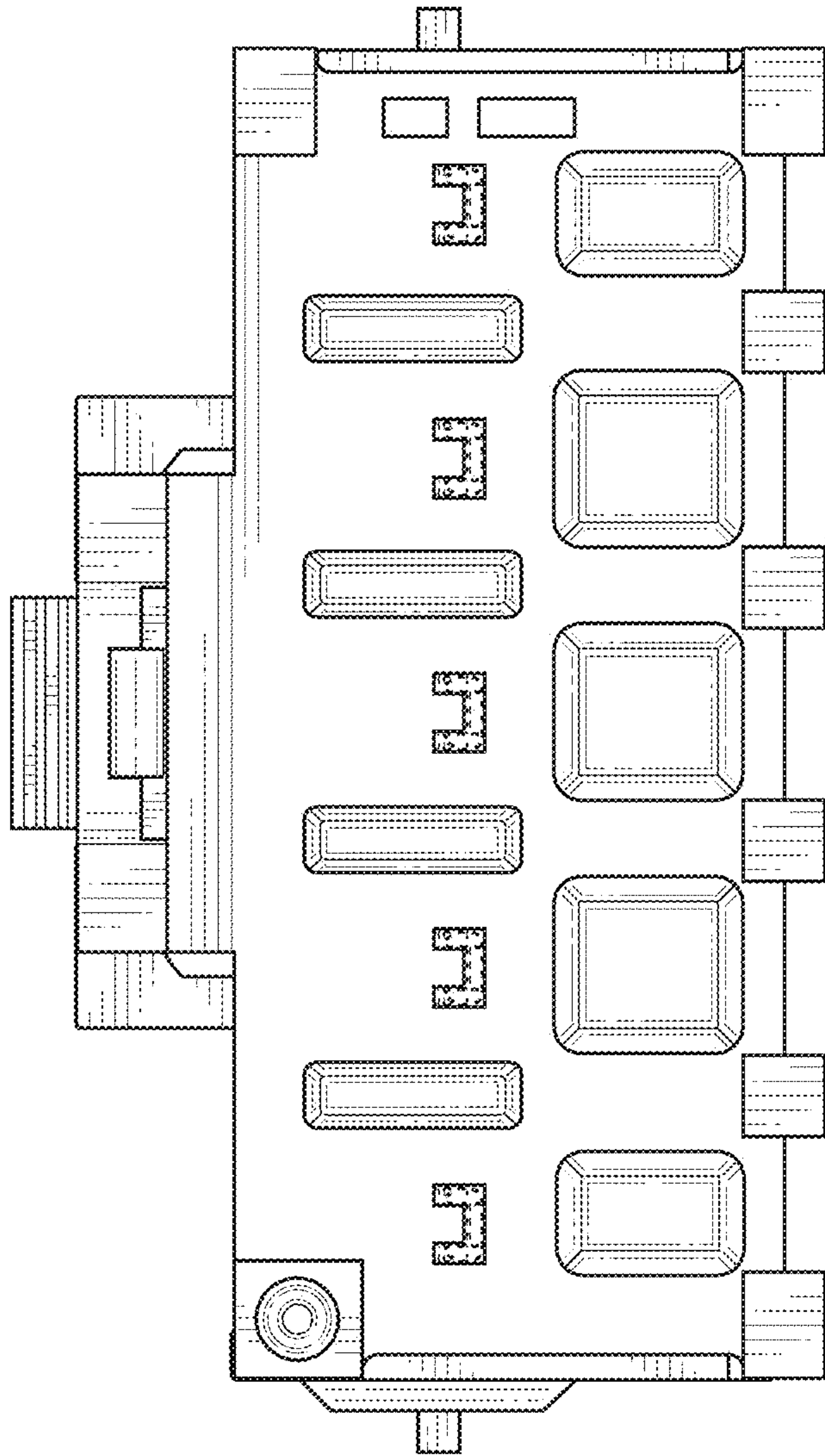


FIG. 64

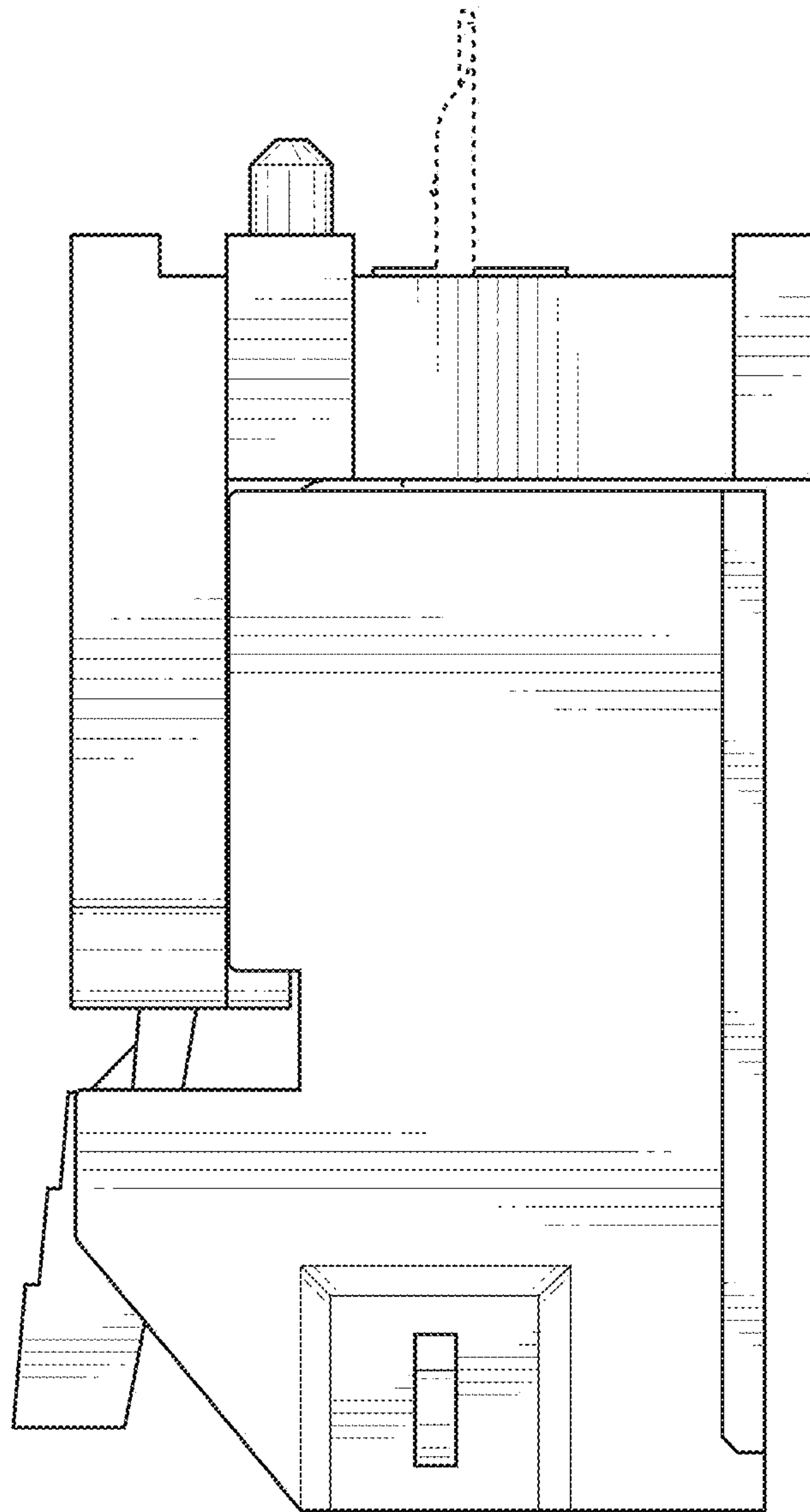


FIG. 65

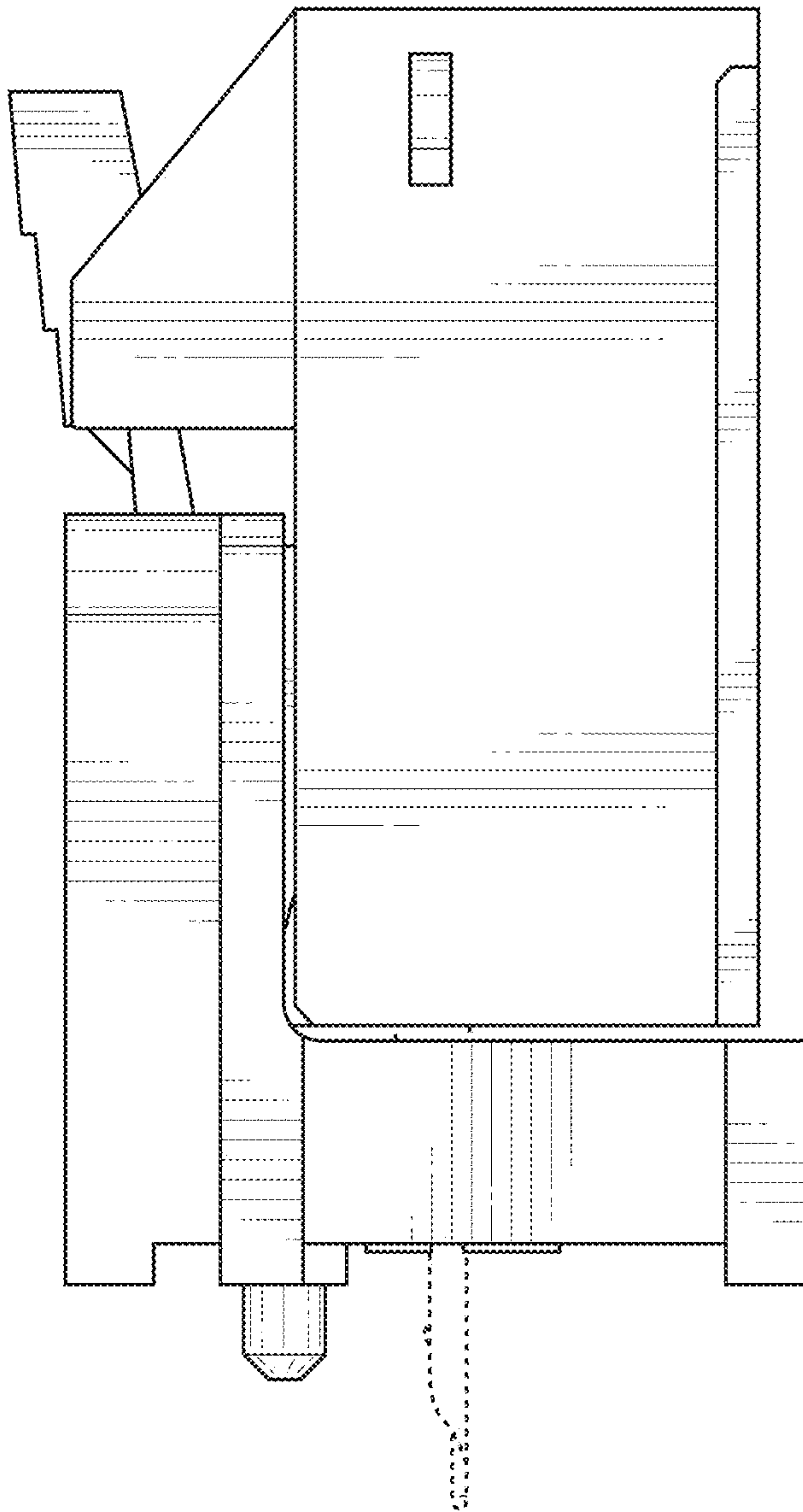


FIG. 66



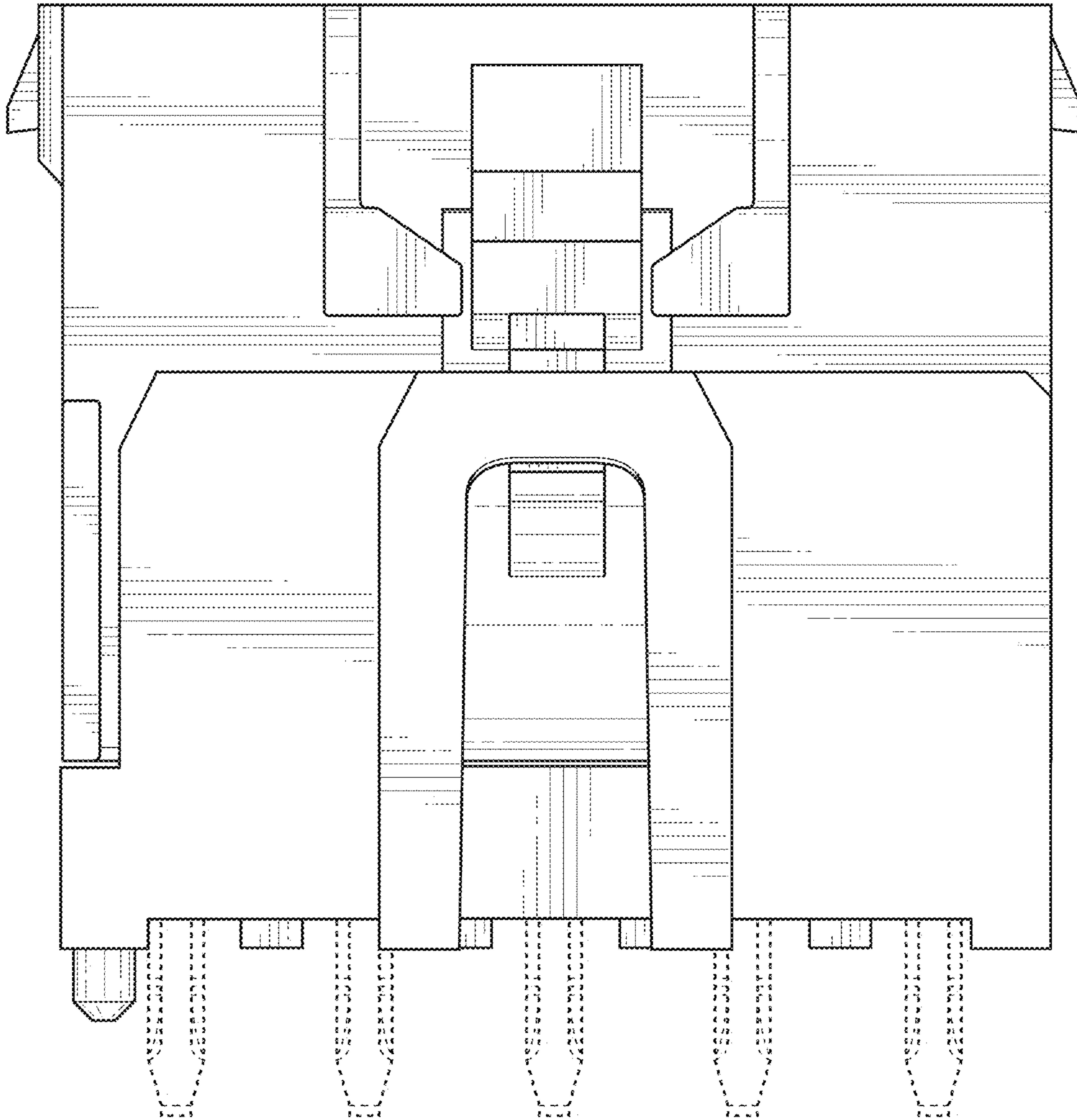


FIG. 67

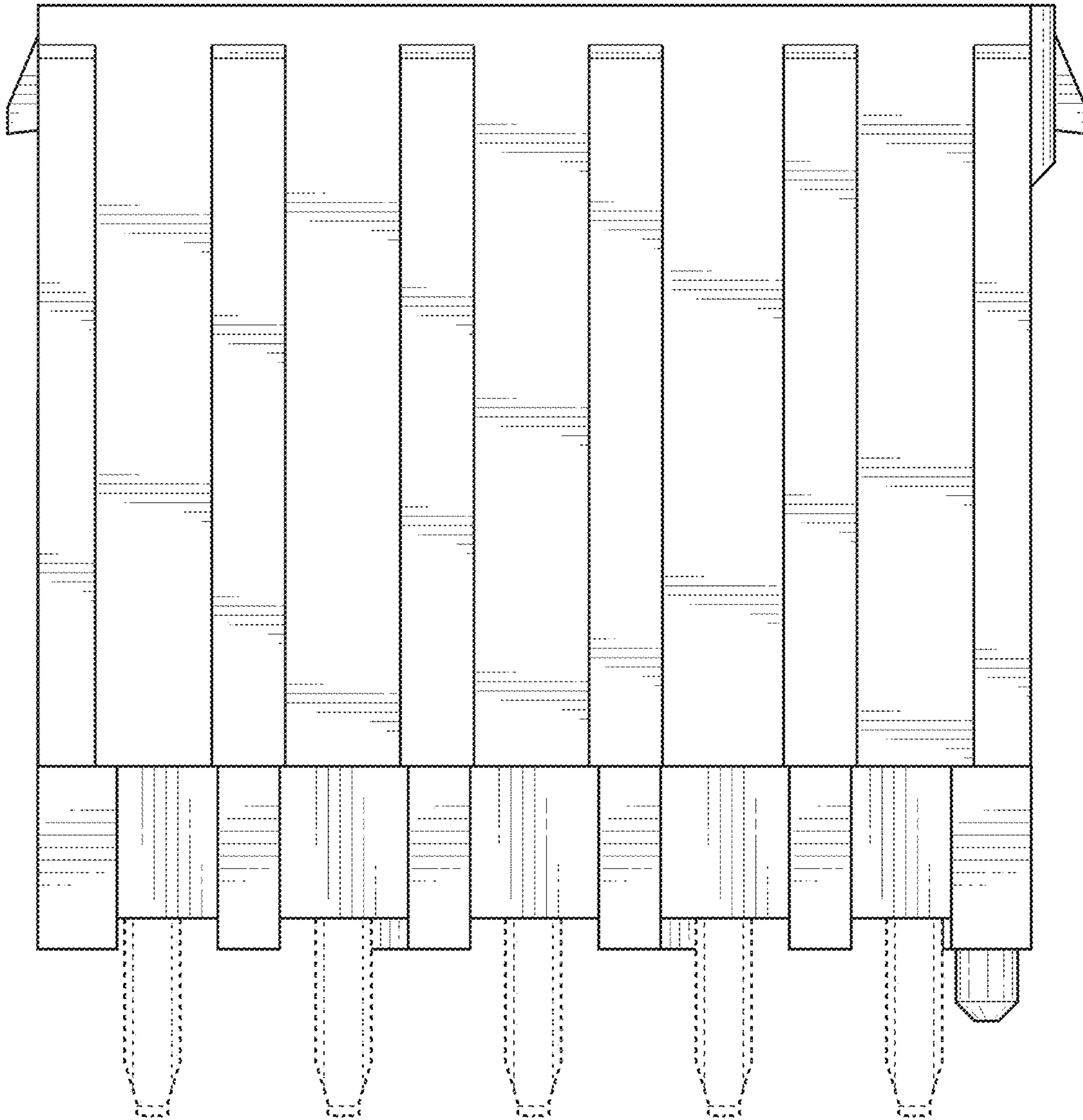


FIG. 68

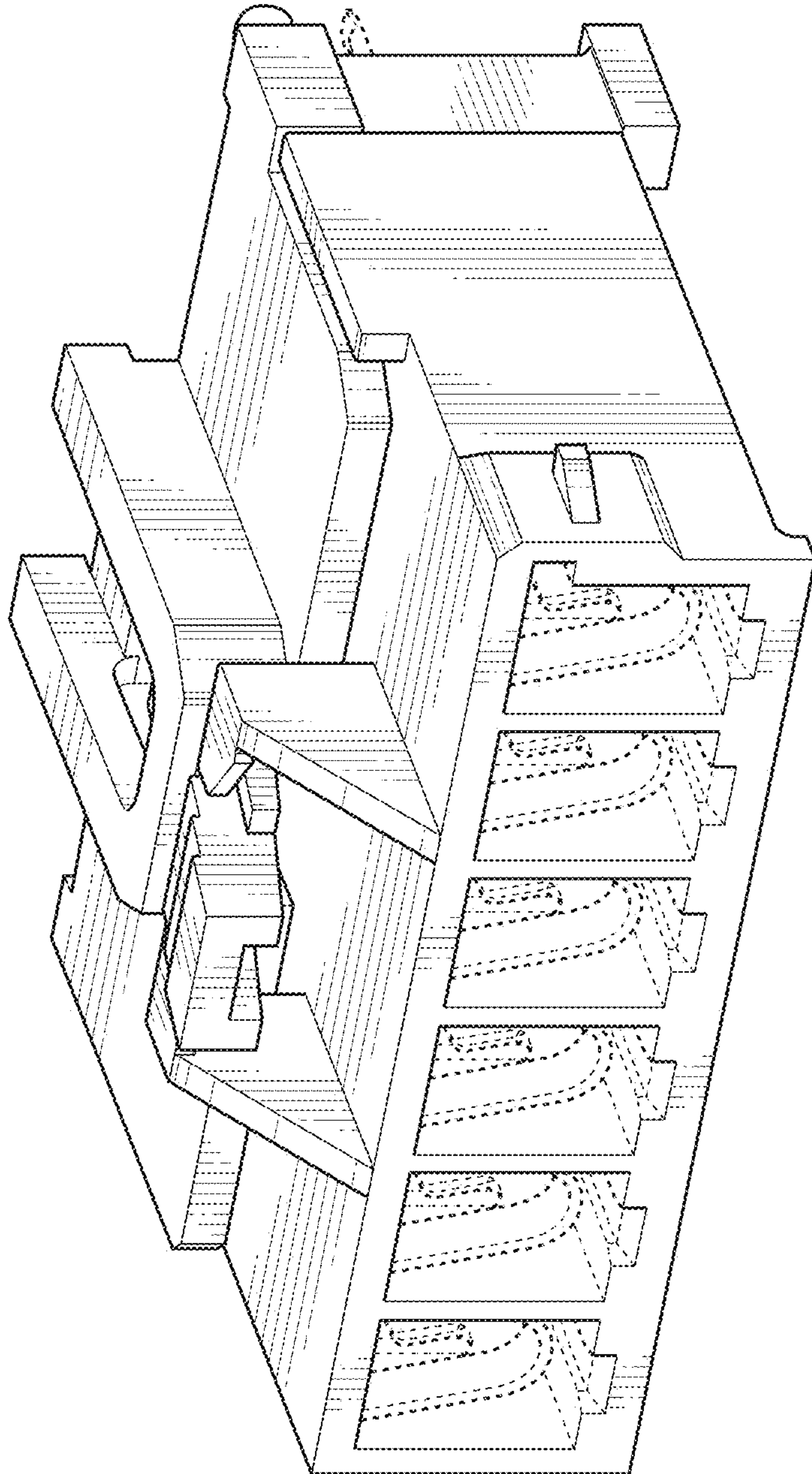


FIG. 69

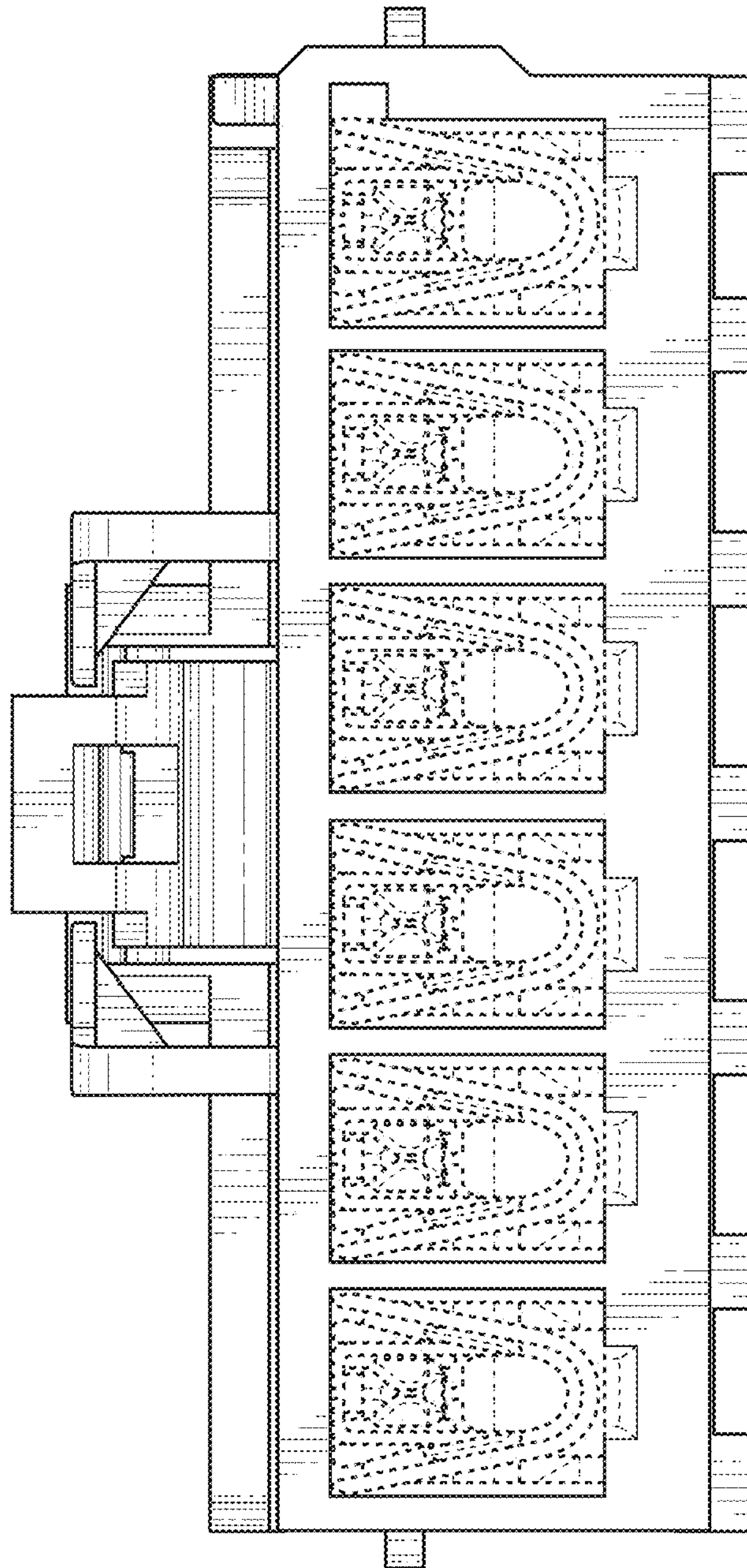


FIG. 70



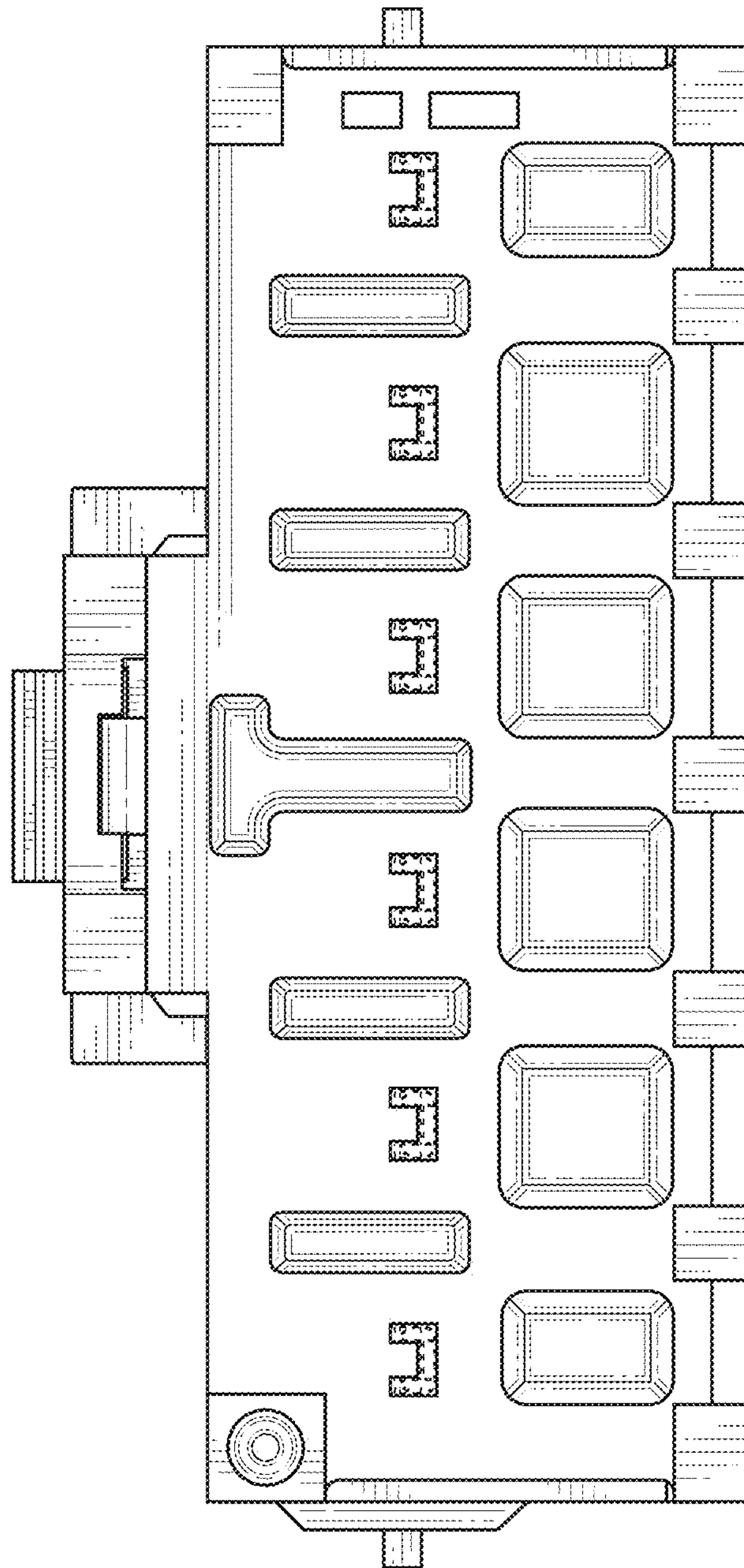


FIG. 71



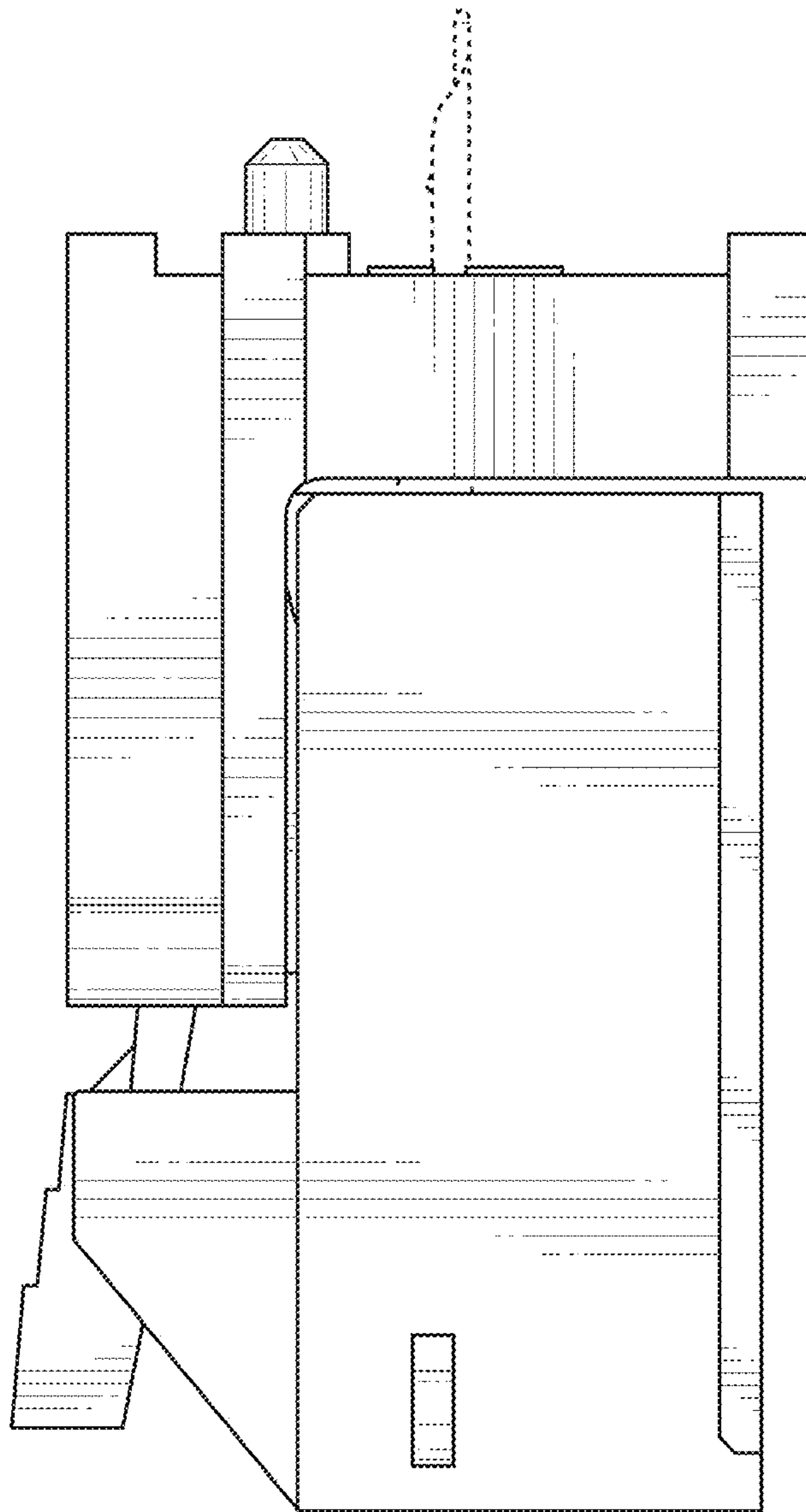


FIG. 72

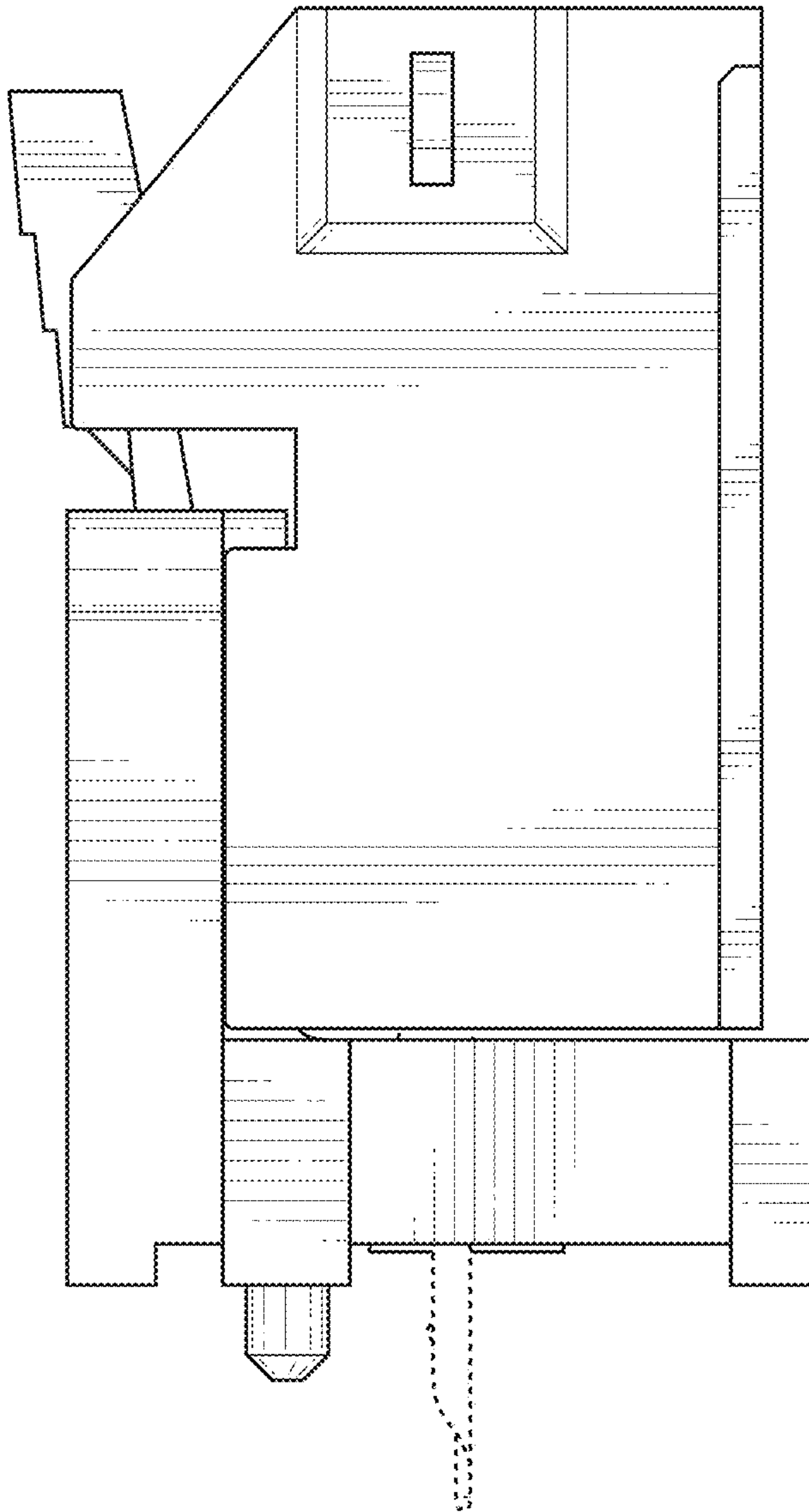
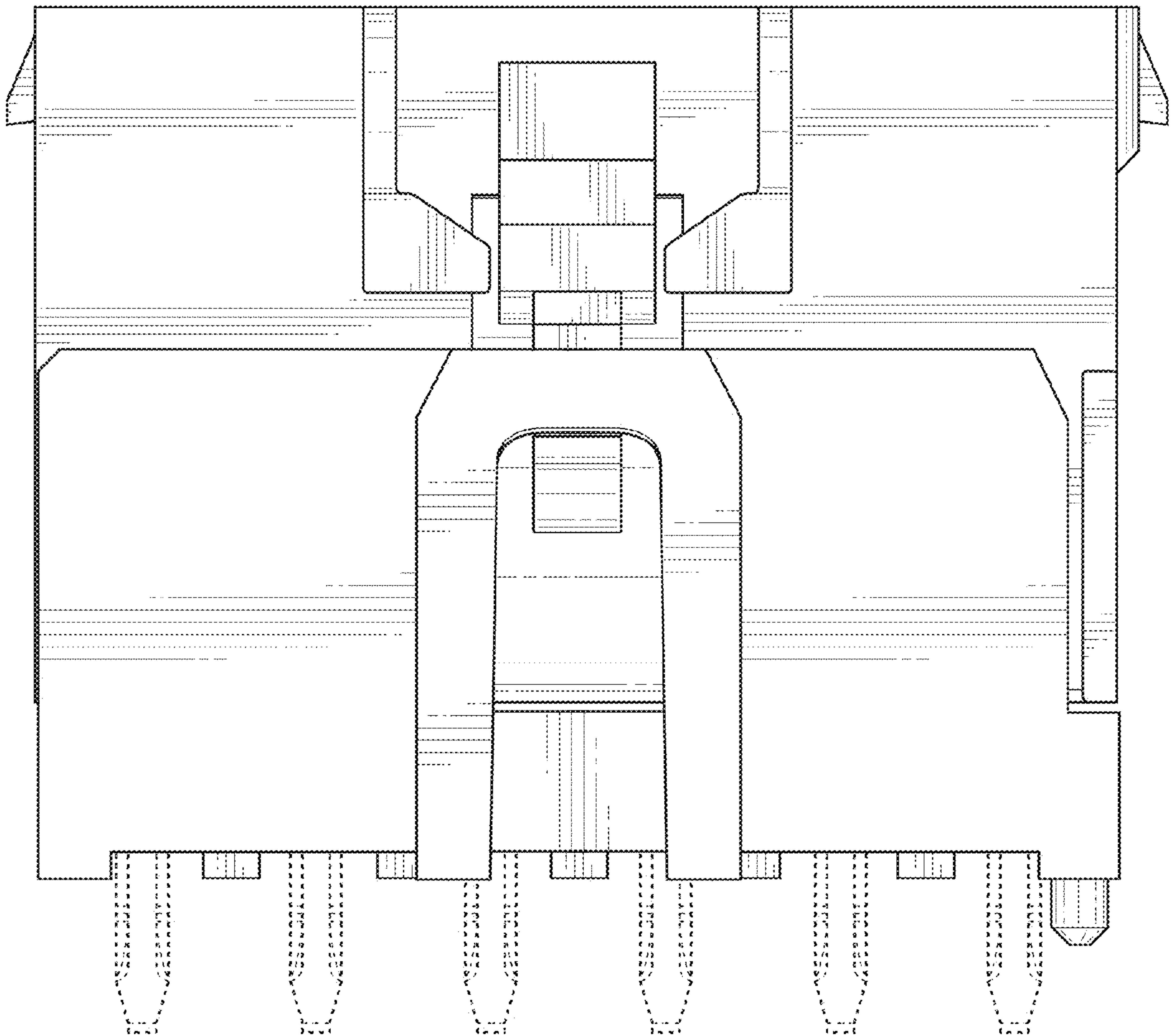


FIG. 73

FIG. 74



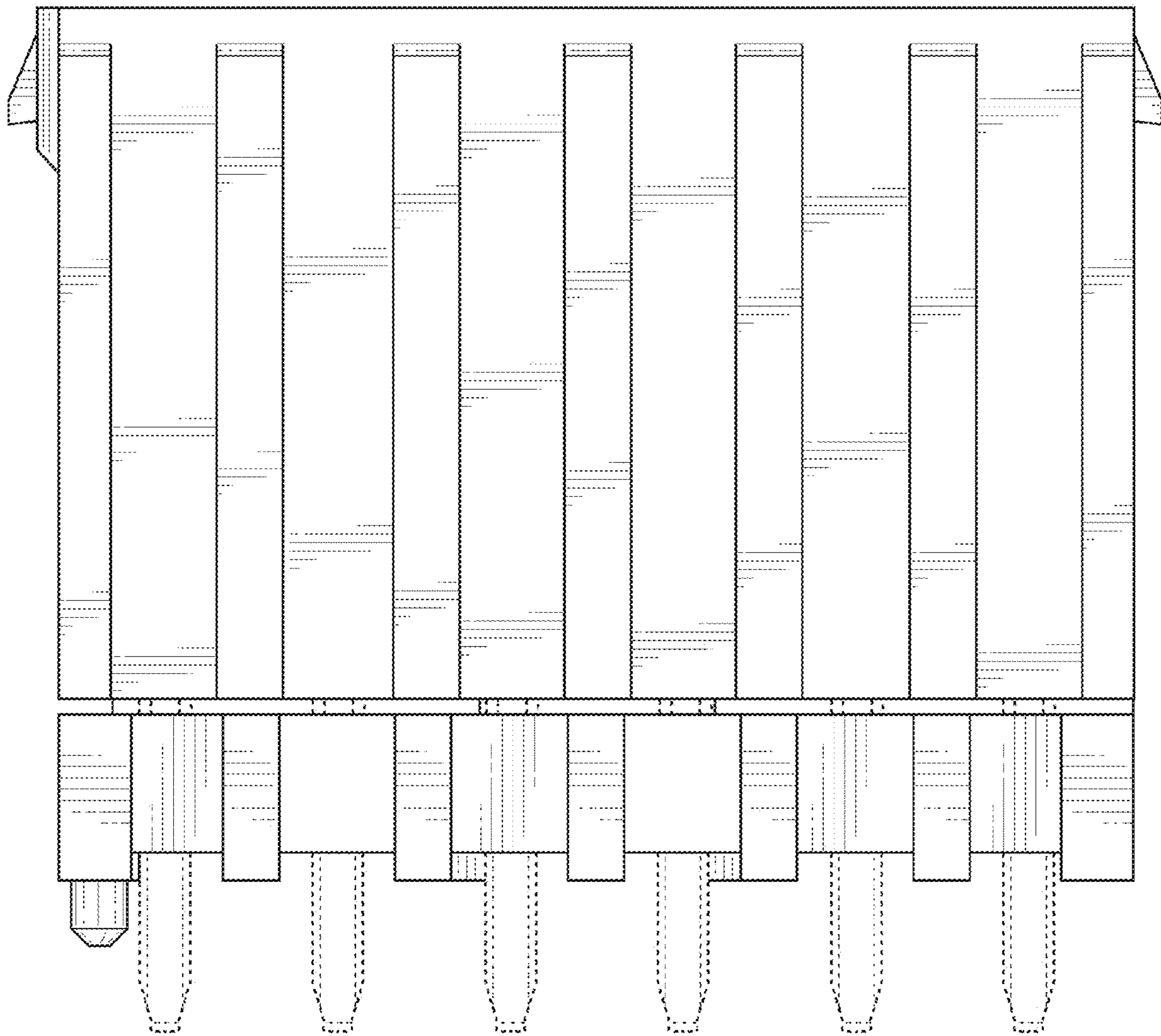


FIG. 75