

US00D900029S

(12) **United States Design Patent** (10) **Patent No.:** **US D900,029 S**
Stolze (45) **Date of Patent:** **** Oct. 27, 2020**

(54) **ELECTRICAL CONNECTOR**
(71) Applicant: **WAGO Verwaltungsgesellschaft mit
beschraenkter Haftung, Minden (DE)**
(72) Inventor: **Henry Stolze, Bad Frankenhausen (DE)**
(73) Assignee: **WAGO Verwaltungsgesellschaft mit
beschraenkter Haftung, Minden (DE)**

D661,251 S * 6/2012 Cheng D13/120
D755,741 S * 5/2016 Prajuckamol D13/182
D798,813 S * 10/2017 Marinelli D13/110
(Continued)

(**) Term: **15 Years**
(21) Appl. No.: **29/616,412**

FOREIGN PATENT DOCUMENTS

DE 2020 131 00981 U1 6/2014
EM 002433342-0001 3/2014
(Continued)

(22) Filed: **Sep. 6, 2017**
(30) **Foreign Application Priority Data**

Primary Examiner — Catherine S Posthauer
Assistant Examiner — Alison M Ofstun
(74) *Attorney, Agent, or Firm* — Muncy, Geissler, Olds &
Lowe, P.C.

Mar. 6, 2017 (EM) 003785401-0008

(57) **CLAIM**

The ornamental design for an electrical connector, as shown
and described.

(51) **LOC (12) Cl.** **13-02**
(52) **U.S. Cl.**
USPC **D13/120**

DESCRIPTION

(58) **Field of Classification Search**
USPC D13/120, 133, 146, 147, 151, 153, 154,
D13/155, 156; D3/208; D8/349, 382,
D8/394, 396
CPC B65H 75/36; H01R 13/5845; H01R 13/72;
H01R 31/06; H01R 11/00; H04M 1/15;
F16G 11/14; D06F 55/00; H02M
2001/0009; F02C 7/28; H02G 15/113
See application file for complete search history.

FIG. 1 is a front perspective view of an electrical connector,
showing my new design.

(56) **References Cited**

U.S. PATENT DOCUMENTS

D364,385 S * 11/1995 Shimizu D13/146
5,836,791 A * 11/1998 Waas H01R 4/2433
439/709
D444,127 S * 6/2001 Wong D13/146
D464,618 S * 10/2002 Ando D13/110
D503,149 S * 3/2005 Teramae D13/110

FIG. 2 is a rear perspective view of the electrical connector
of FIG. 1.

FIG. 3 is a bottom rear perspective view of the electrical
connector of FIG. 1.

FIG. 4 is a front view of the electrical connector of FIG. 1.

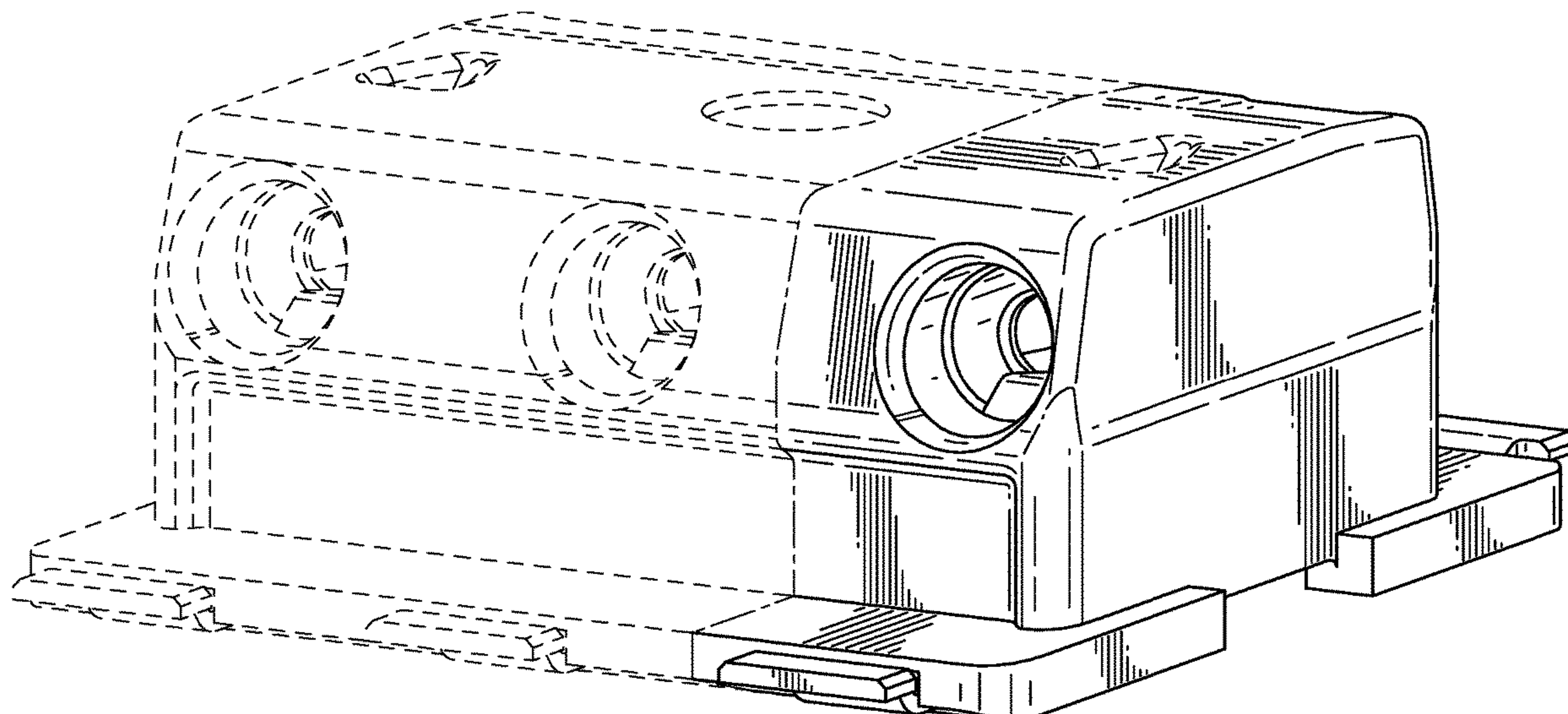
FIG. 5 is a rear view of the electrical connector of FIG. 1.

FIG. 6 is a right side view of the electrical connector of FIG.
1.

FIG. 7 is a top view of the electrical connector of FIG. 1;
and,
FIG. 8 is a bottom view of the electrical connector of FIG.
1.

The evenly spaced broken lines illustrate environmental
subject matter and portions of the article, none of which
form part of the claimed design. The dot-dash broken lines
illustrate a boundary to the claimed design and form no part
thereof.

1 Claim, 8 Drawing Sheets



(56)

References Cited

U.S. PATENT DOCUMENTS

D798,832 S * 10/2017 Hayashida D13/182
D799,439 S * 10/2017 Hayashiguchi D13/182
D814,416 S * 4/2018 Hickey D13/120
D814,417 S * 4/2018 Hickey D13/120
10,027,072 B1 * 7/2018 Shaeffer H01R 24/38
D837,156 S * 1/2019 Mikawa D13/120
2010/0035464 A1 * 2/2010 Capaldi-Tallon H01R 9/2608
439/532
2011/0124240 A1 * 5/2011 Savant H01R 4/30
439/722
2017/0276341 A1 * 9/2017 Wang F21V 25/10
2018/0294584 A1 * 10/2018 Stromiedel H01R 4/4836

FOREIGN PATENT DOCUMENTS

EM 002433342-0002 3/2014
WO WO 2015 131215 A1 9/2015

* cited by examiner

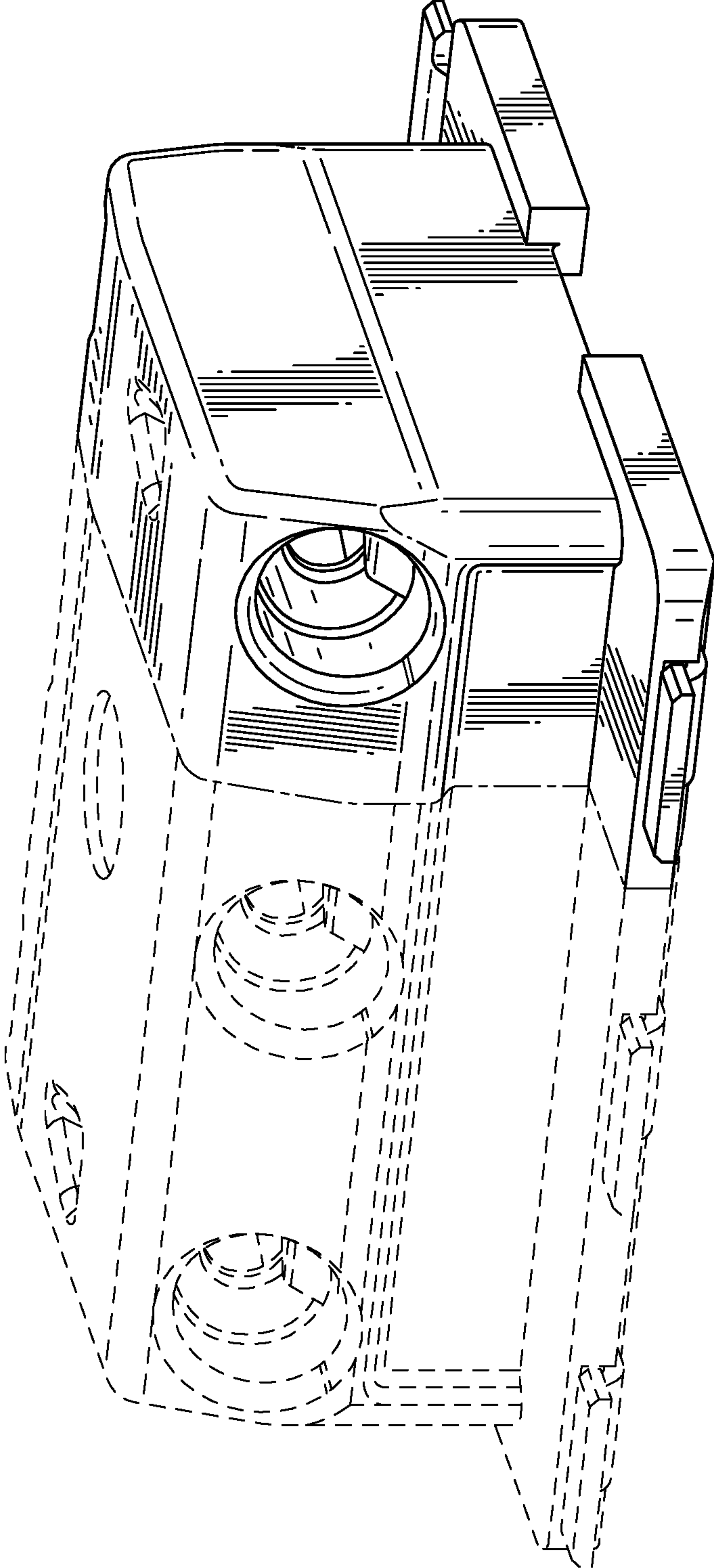


FIG.1

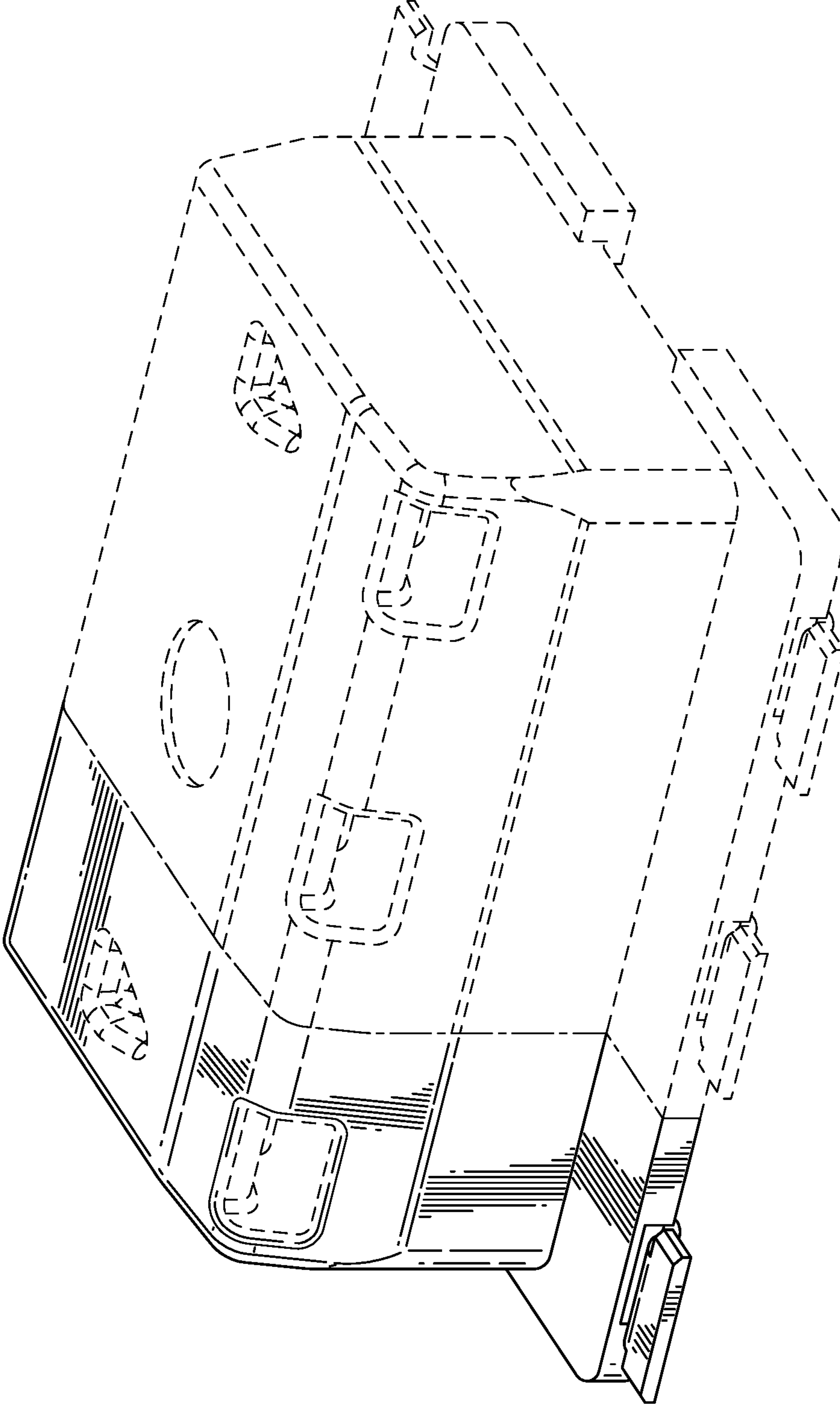


FIG.2

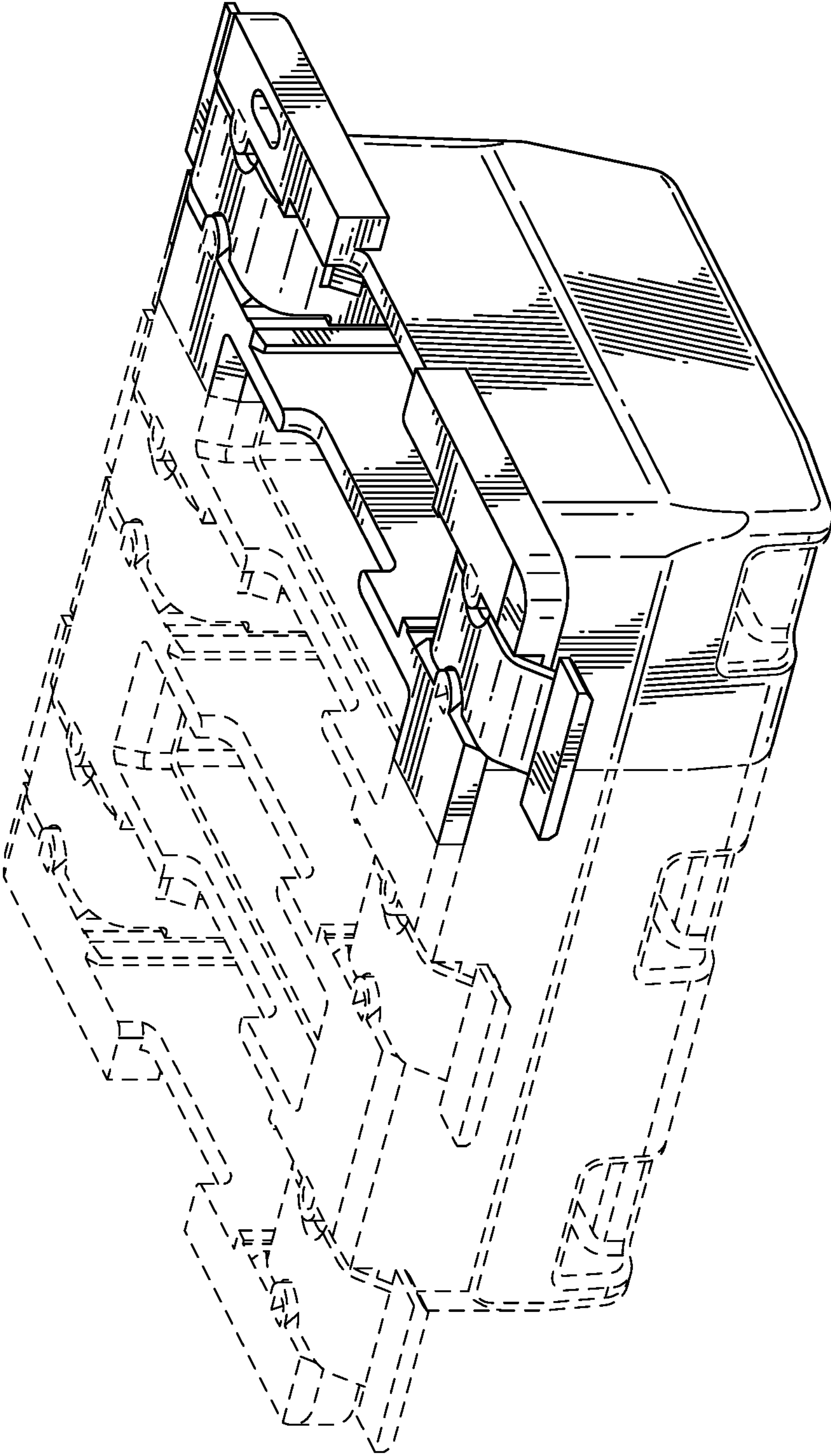


FIG.3

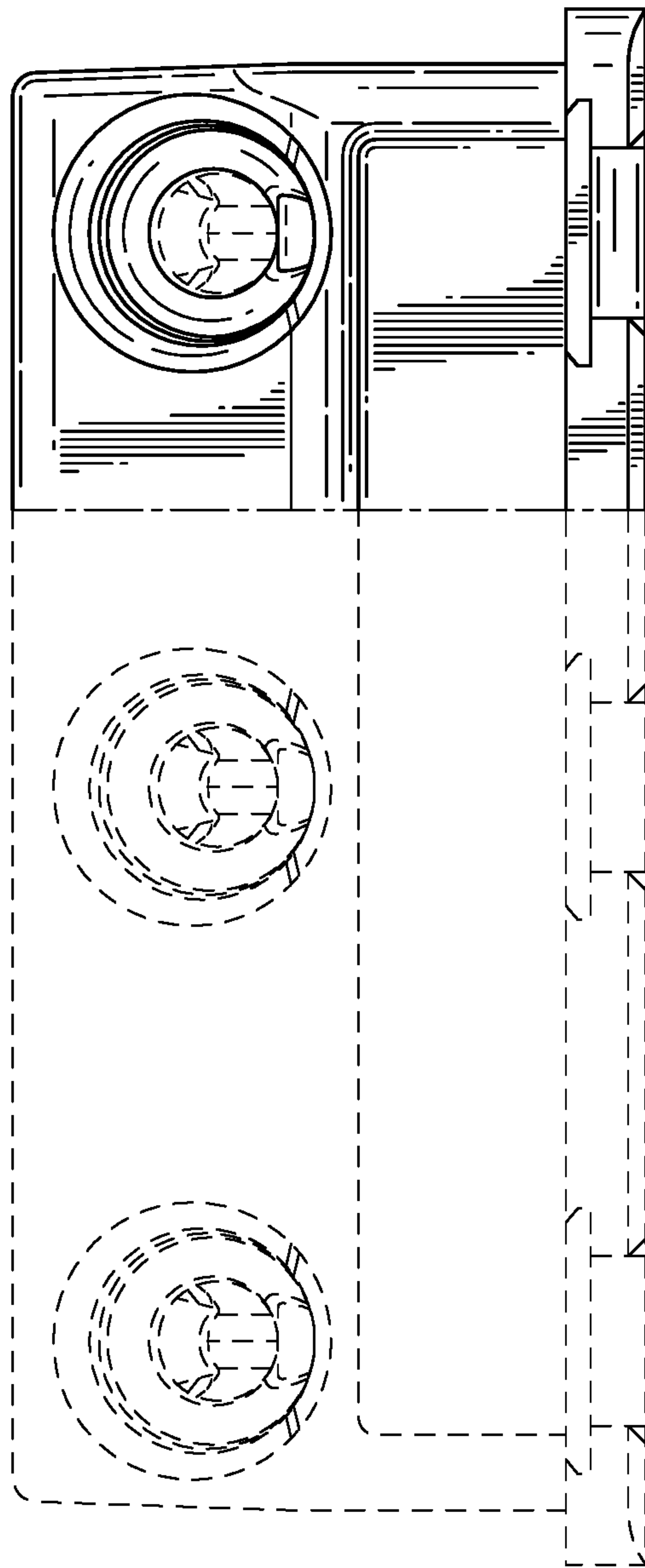


FIG.4

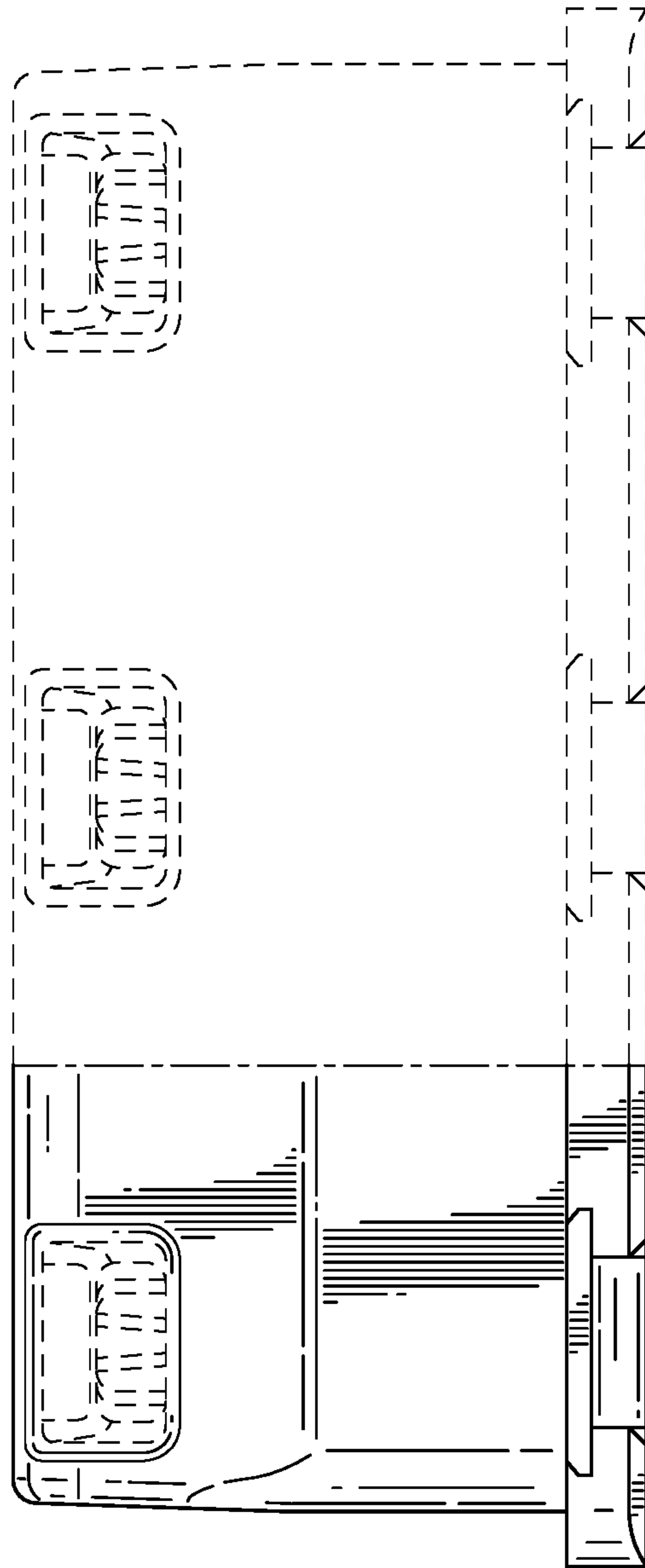


FIG.5

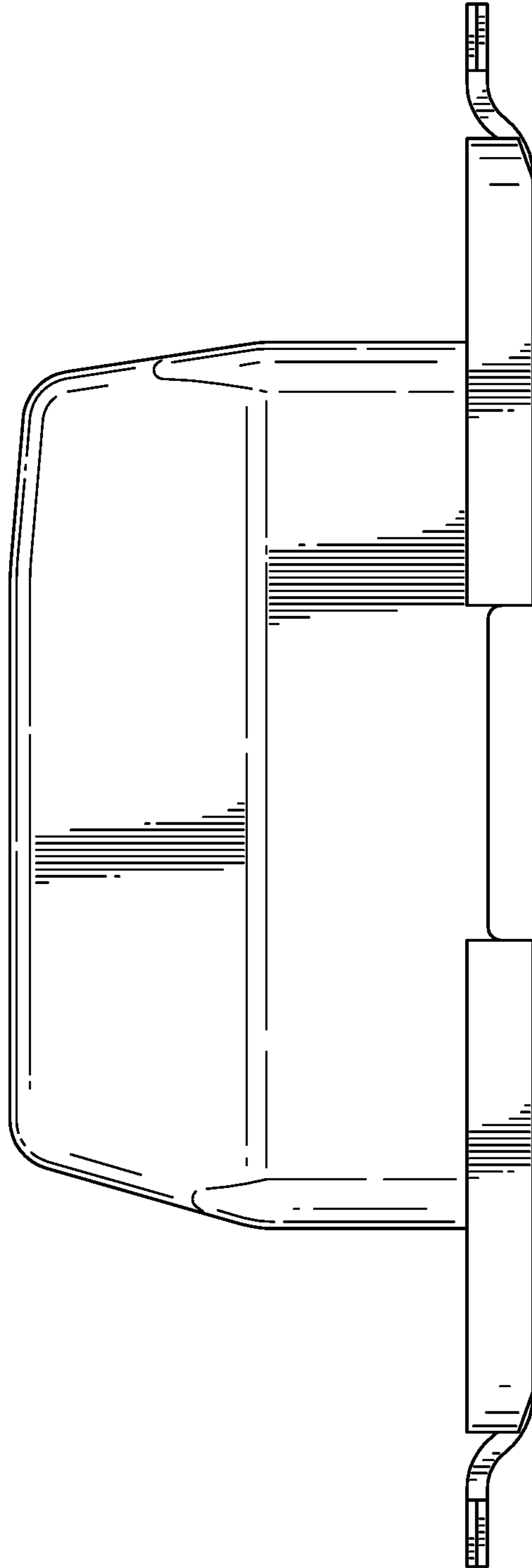


FIG.6

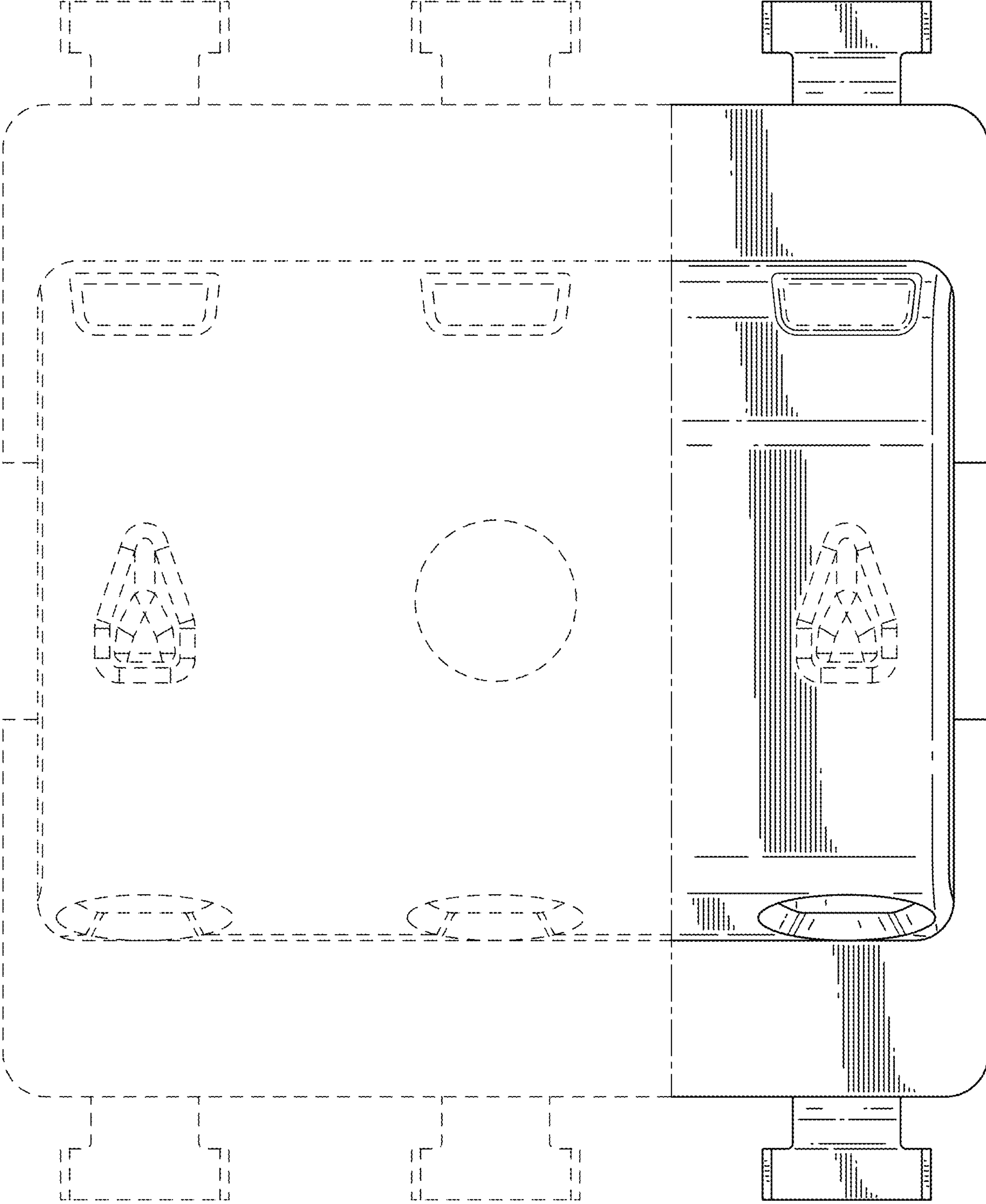


FIG.7

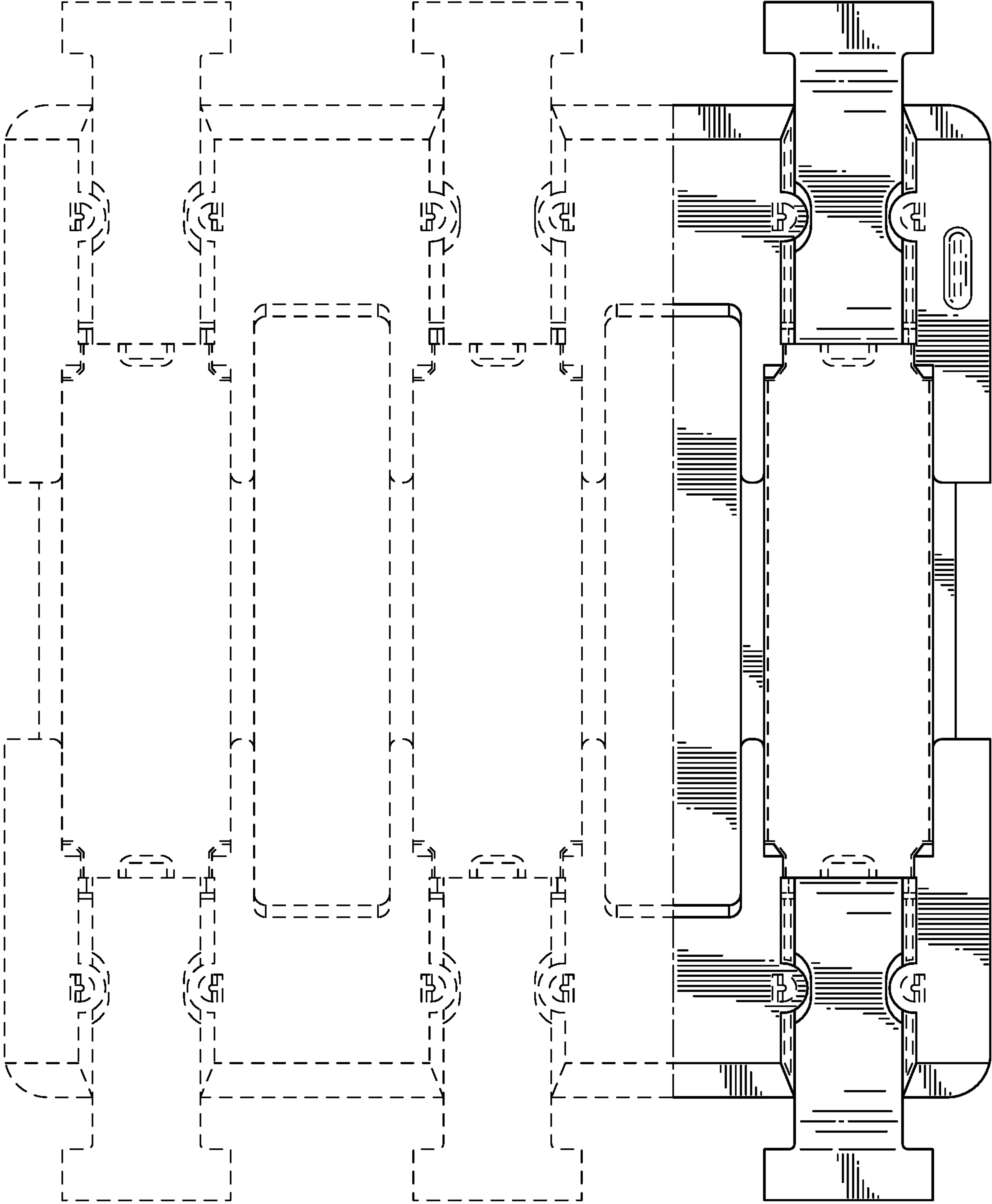


FIG.8