



US00D900028S

(12) **United States Design Patent** (10) **Patent No.:** **US D900,028 S**  
**Klein** (45) **Date of Patent:** **\*\* Oct. 27, 2020**

- (54) **BATTERY TAB**
- (71) Applicant: **DURACELL U.S. OPERATIONS, INC.**, Wilmington, DE (US)
- (72) Inventor: **David N. Klein**, Bethel, CT (US)
- (73) Assignee: **DURACELL U.S. OPERATIONS, INC.**, Wilmington, DE (US)
- (\*\*) Term: **15 Years**
- (21) Appl. No.: **29/728,148**
- (22) Filed: **Mar. 16, 2020**

- 7,405,014 B2 7/2008 Bartling et al.
- 7,410,059 B2 \* 8/2008 Nakatsu ..... B65D 75/327  
206/471
- 7,563,531 B2 7/2009 Bartling et al.
- D690,351 S 9/2013 Sato et al.
- (Continued)

**FOREIGN PATENT DOCUMENTS**

- CN 105024112 A 11/2015
- DE 19724648 A1 12/1998
- (Continued)

**OTHER PUBLICATIONS**

Duracell EasyTab Hearing Aid Batteries, downloaded from the Internet at: <<https://www.duracell-me.com/products/hearing-aid-batteries/>>.

(Continued)

*Primary Examiner* — Derrick E Holland  
 (74) *Attorney, Agent, or Firm* — Marshall, Gerstein & Borun LLP

**Related U.S. Application Data**

- (62) Division of application No. 29/605,496, filed on May 26, 2017, now Pat. No. Des. 878,295.
- (51) **LOC (12) Cl.** ..... **13-02**
- (52) **U.S. Cl.**  
USPC ..... **D13/119**
- (58) **Field of Classification Search**  
USPC ..... D13/118, 119, 156, 184, 199; D19/1, 4,  
D19/6, 9, 10, 12; D9/416, 707, 732, 902  
CPC ..... H01M 12/02; H01M 2/1005; H01M  
2220/30; A61F 2013/008; A61F  
2013/00289; A61F 2/0095; Y10T  
24/45215; Y10T 24/45241; A61B  
2050/0065; A61B 2050/314; A61B  
2050/3015; B65D 73/0014; B65D 75/367;  
B65D 83/04; B65D 83/0454  
See application file for complete search history.

(57) **CLAIM**

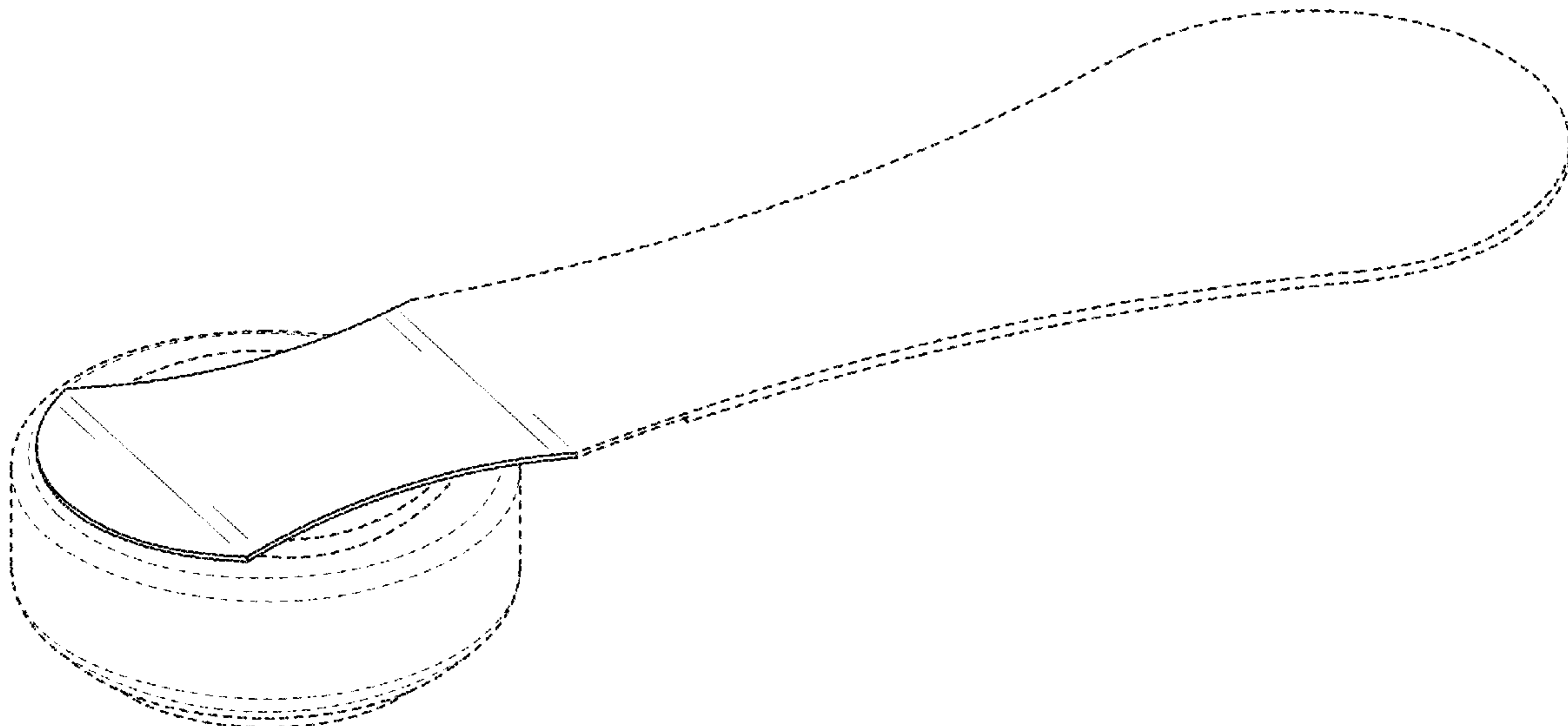
The ornamental design for a battery tab, as shown and described.

**DESCRIPTION**

FIG. 1 is a perspective view of a battery tab according to our new ornamental design;  
 FIG. 2 is a front view of the battery tab of FIG. 1;  
 FIG. 3 is a rear view of the battery tab of FIG. 1;  
 FIG. 4 is left side view of the battery tab of FIG. 1;  
 FIG. 5 is a right side view of the battery tab of FIG. 1;  
 FIG. 6 is a top view of the battery tab of FIG. 1; and,  
 FIG. 7 is a bottom view of the batter tab of FIG. 1.  
 The broken lines in the drawings show the boundaries of the claimed design and/or environmental structures of the battery tab that form no part of the claimed design.

**1 Claim, 7 Drawing Sheets**

- (56) **References Cited**  
U.S. PATENT DOCUMENTS  
D270,807 S 10/1983 Dilliner  
4,649,090 A 3/1987 Oltman et al.  
D361,745 S \* 8/1995 Geroux ..... D13/120  
6,329,095 B1 12/2001 Farnworth et al.  
D553,675 S 10/2007 Hogg



(56)

**References Cited**

U.S. PATENT DOCUMENTS

D700,237 S \* 2/2014 Mayer ..... D19/2  
D751,386 S \* 3/2016 Markle ..... D9/434  
D774,202 S 12/2016 Bielitz  
D788,703 S 6/2017 Krysinski et al.  
10,093,469 B2 \* 10/2018 Dorr ..... B65D 73/0014  
D841,196 S \* 2/2019 Thompson ..... D26/23  
D878,295 S 3/2020 Klein  
2005/0103680 A1 5/2005 Nakatsu et al.  
2006/0292427 A1 12/2006 Bartling et al.  
2012/0312833 A1 12/2012 Gabathuler  
2013/0015197 A1 1/2013 Gauthier  
2016/0329536 A1 11/2016 Dorr et al.

FOREIGN PATENT DOCUMENTS

JP 2017-075231 A 4/2017  
WO WO-98/49063 A2 11/1998  
WO WO-02/33774 A2 4/2002  
WO WO-2004/021471 A1 3/2004  
WO WO-2016/172676 A1 10/2016

OTHER PUBLICATIONS

Duracell Hearing Aid Batteries, YouTube Video, downloaded from the Internet at: <<https://www.youtube.com/watch?v=alqn6lyoe2g>> (Oct. 15, 2014).

\* cited by examiner

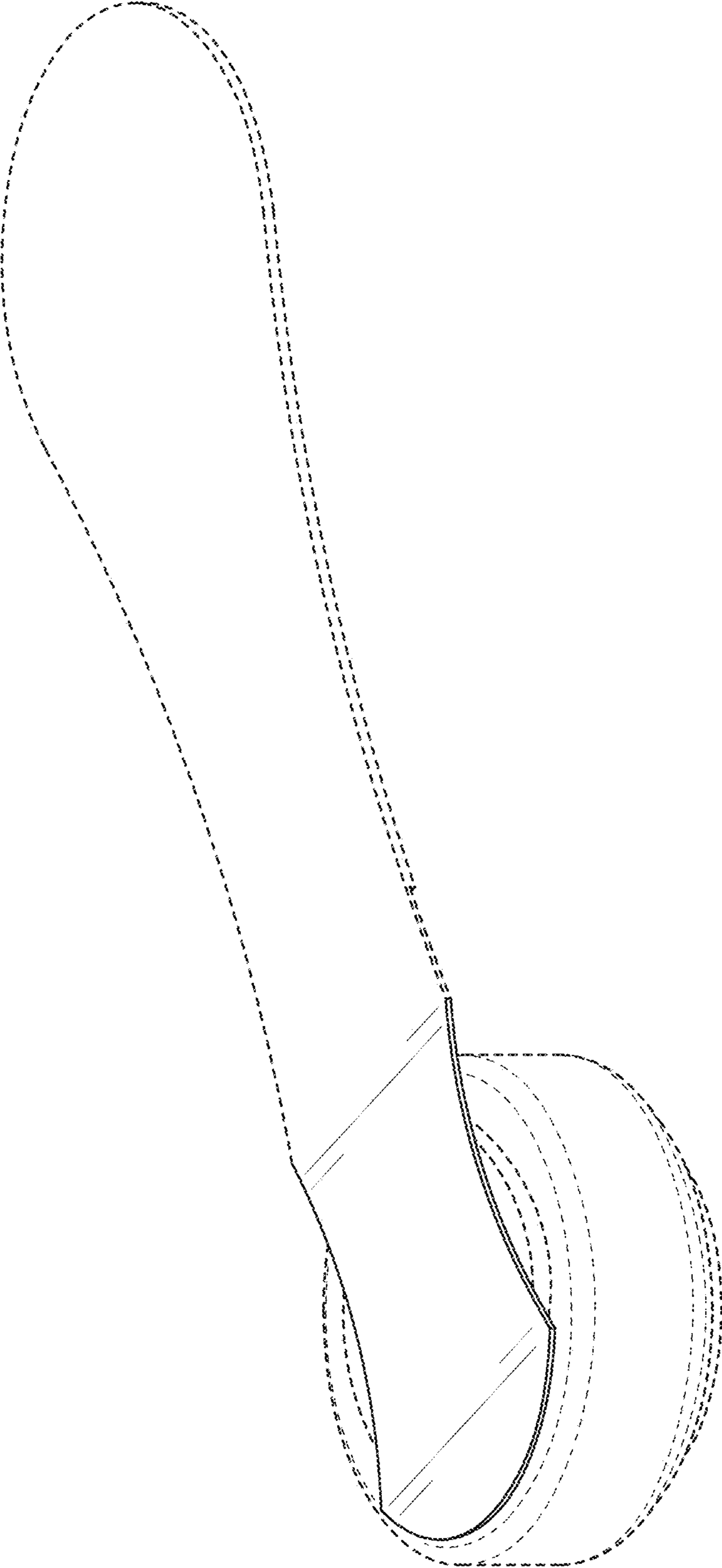


FIG. 1

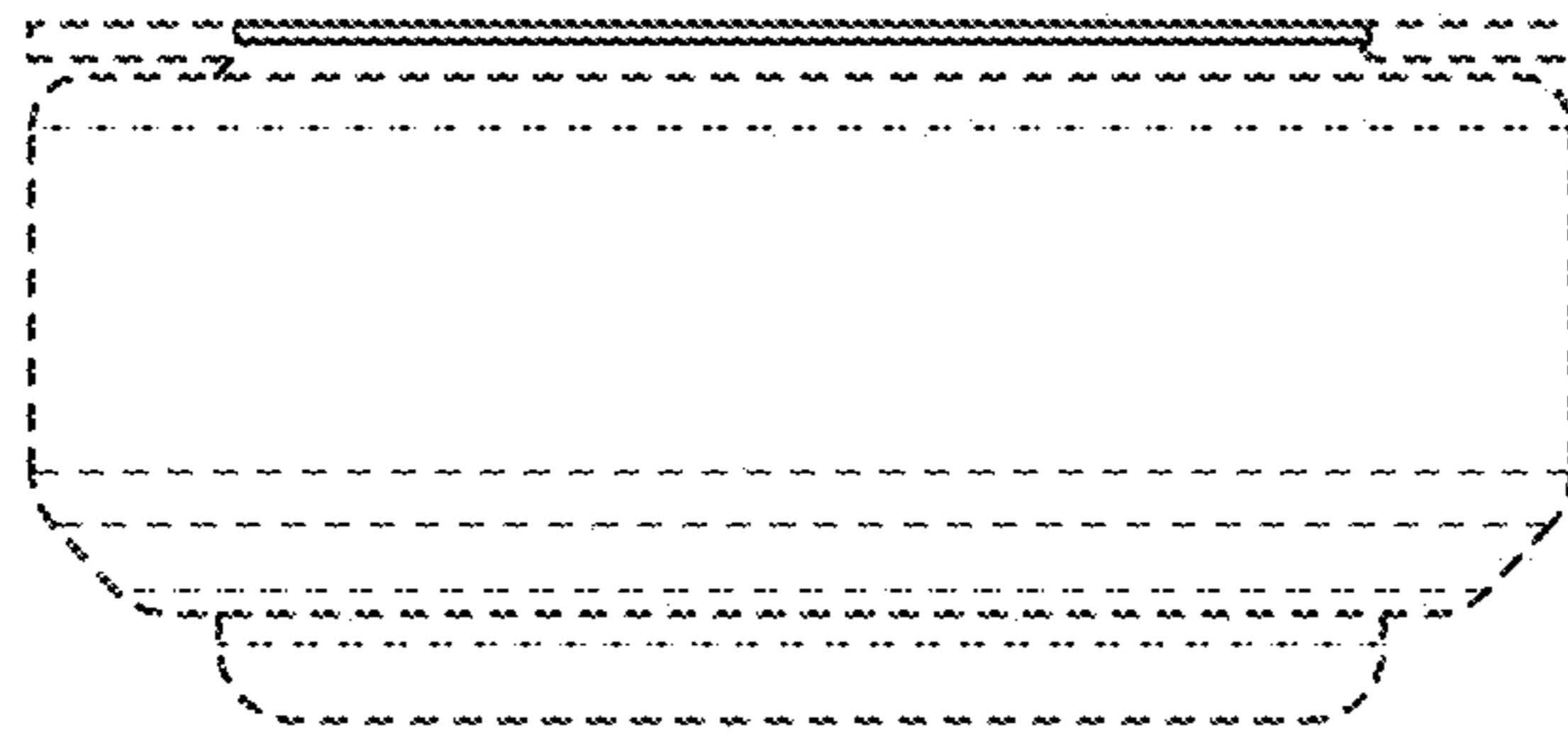


FIG. 2

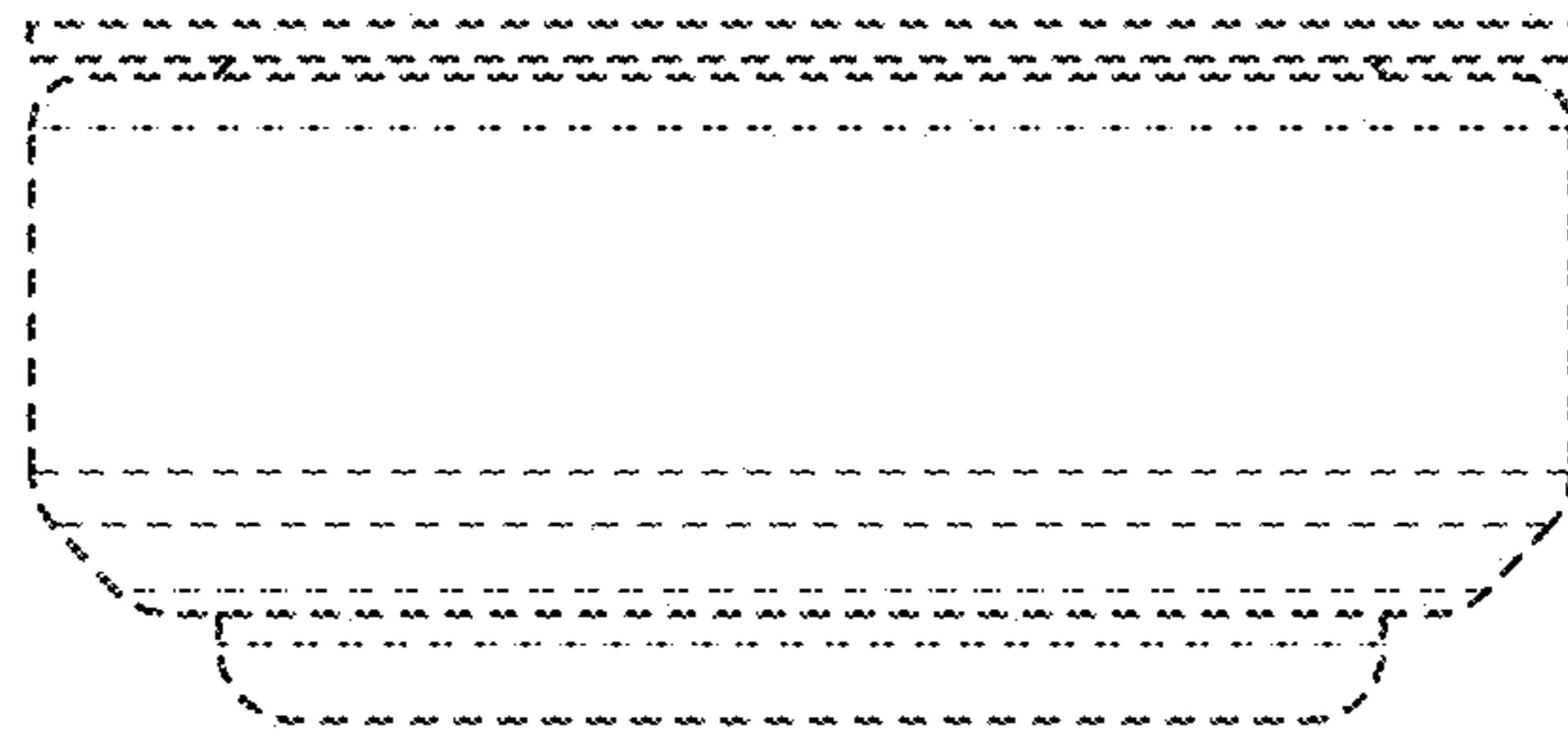


FIG. 3

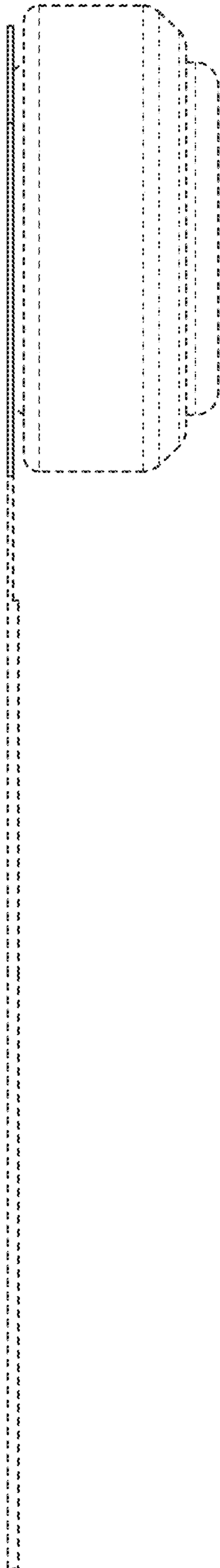


FIG. 4

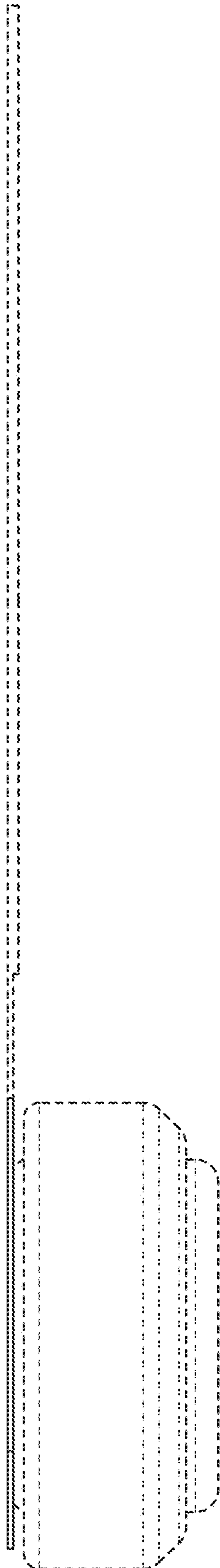


FIG. 5

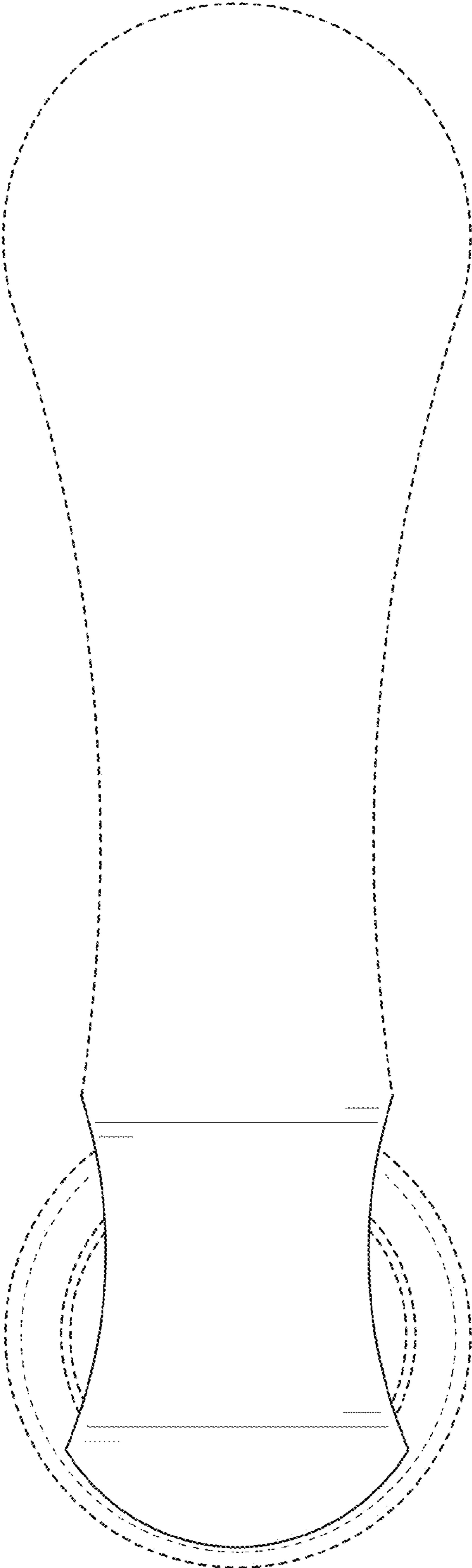


FIG. 6



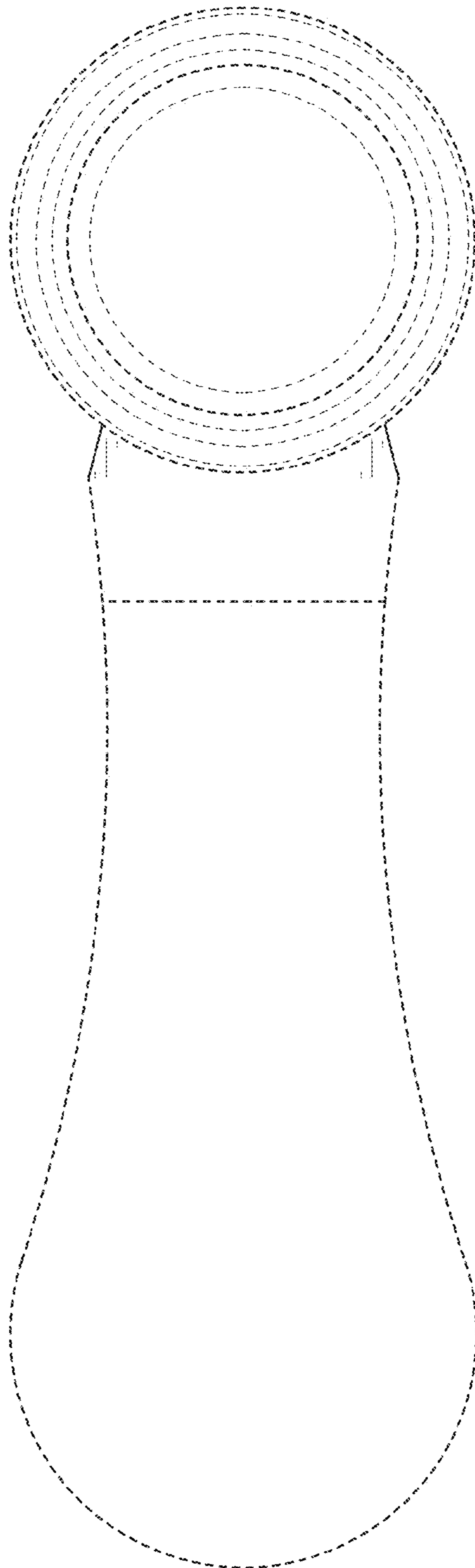


FIG. 7