



US00D900027S

(12) **United States Design Patent** (10) **Patent No.:** **US D900,027 S**
Reilly et al. (45) **Date of Patent:** **** Oct. 27, 2020**

(54) **WIRELESS CHARGING DEVICE**

(71) Applicant: **Staples Brands, Inc.**, Framingham, MA (US)

(72) Inventors: **Daniel Reilly**, Watertown, MA (US); **Logan Steinfeld**, Boston, MA (US); **Tae Han Ko**, Worcester, MA (US); **Jordan Nollman**, Cambridge, MA (US); **Benjamin Oakland Stooke**, Ottawa (CA); **Richard Orsini**, Roxbury, MA (US); **Matthew Reis Bettencourt**, Ludlow, MA (US)

(73) Assignee: **WORKLIFE BRANDS LLC**, Framingham, MA (US)

(**) Term: **15 Years**

(21) Appl. No.: **29/685,324**

(22) Filed: **Mar. 27, 2019**

(51) **LOC (12) Cl.** **13-02**

(52) **U.S. Cl.**
USPC **D13/108**

(58) **Field of Classification Search**
USPC D13/107-110, 118-119, 184; D14/251, D14/253, 432, 434
CPC Y02E 60/12; Y02T 90/14; Y02T 90/122; Y02T 90/128; Y02T 90/163; H02J 7/025; H02J 7/0042; H02J 7/0044; H02J 7/0045; H02J 7/0013; H02J 7/0003; H01F 38/14; H01R 13/6675; H01M 2/1022; H01M 2/1055; H01M 10/44; H01M 10/46; H01M 10/425; B60L 11/182

See application file for complete search history.

(56) **References Cited**

U.S. PATENT DOCUMENTS

D718,234 S *	11/2014	Rautiainen	D13/108
D719,959 S *	12/2014	Vogel	D14/447
D770,430 S *	11/2016	Lee	D14/240
D772,813 S *	11/2016	Wahl	D13/108
D777,103 S *	1/2017	Park	D13/108
D794,557 S *	8/2017	Kim	D13/108
D817,268 S *	5/2018	Symons	D13/108
D850,372 S *	6/2019	Kong	D13/108
D861,602 S *	10/2019	Feng	D13/108
D869,391 S *	12/2019	Roberts	D13/108
D875,103 S *	2/2020	Vogel	D14/447
D878,325 S *	3/2020	Paterson	D14/203.1
D883,967 S *	5/2020	Huang	D14/240

* cited by examiner

Primary Examiner — Nathaniel D. Buckner

(74) *Attorney, Agent, or Firm* — Sheridan Ross P.C.

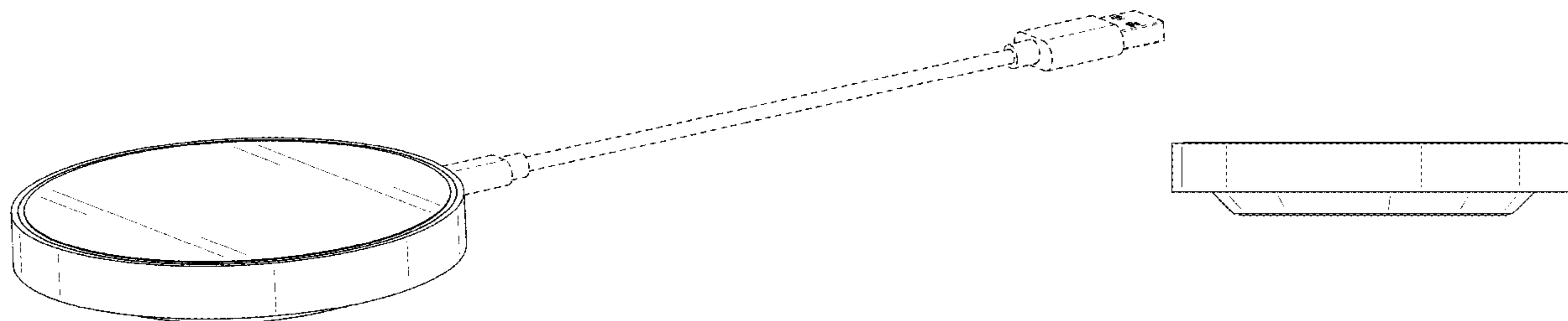
(57) **CLAIM**

The ornamental design for the wireless charging device, as shown and described.

DESCRIPTION

FIG. 1 is a perspective view of a wireless charging device; FIG. 2 is a front elevation view thereof; FIG. 3 is a rear elevation view thereof; FIG. 4 is a left elevation view thereof; FIG. 5 is a right elevation view thereof; FIG. 6 is a top plan view thereof; and, FIG. 7 is a bottom plan view thereof. The broken lines in the drawings illustrate portions of the wireless charging device which form no part of the claimed design.

1 Claim, 7 Drawing Sheets



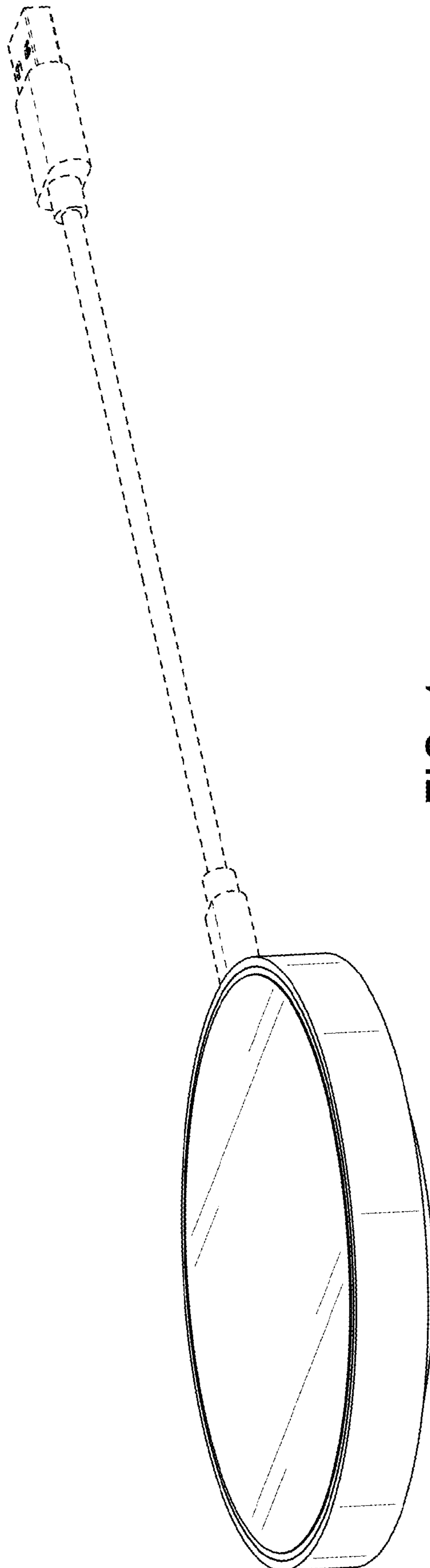


FIG. 1

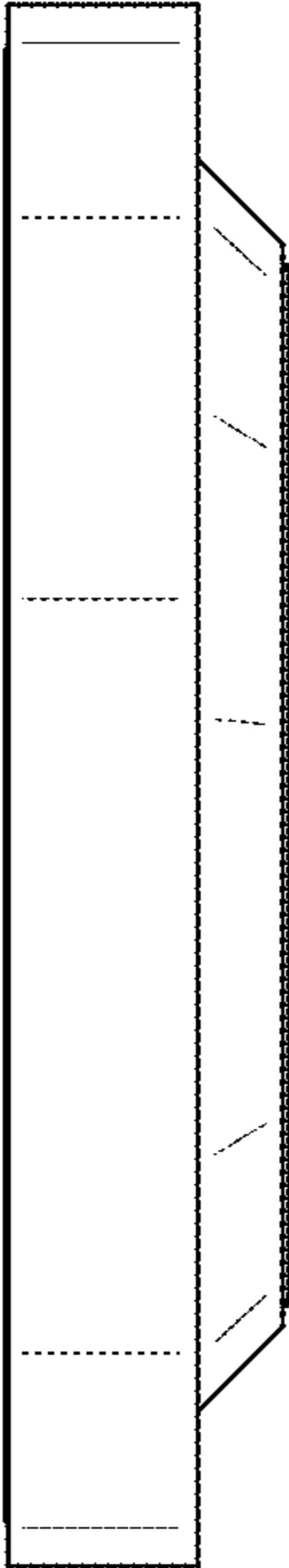


FIG. 2

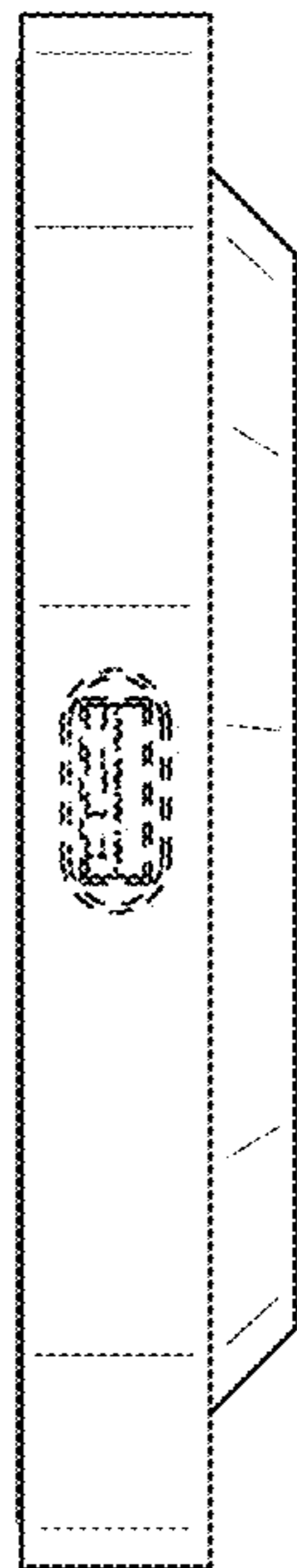


FIG. 3

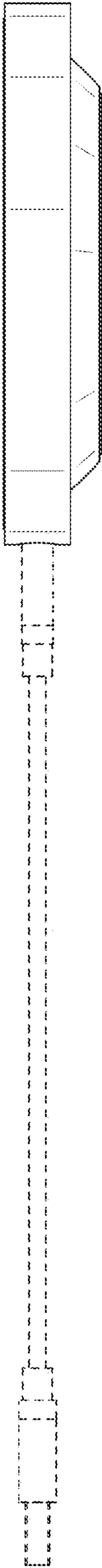


FIG. 4

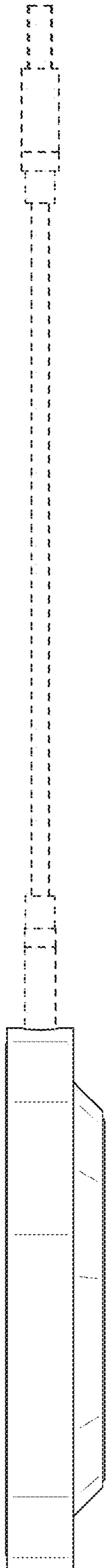


FIG. 5

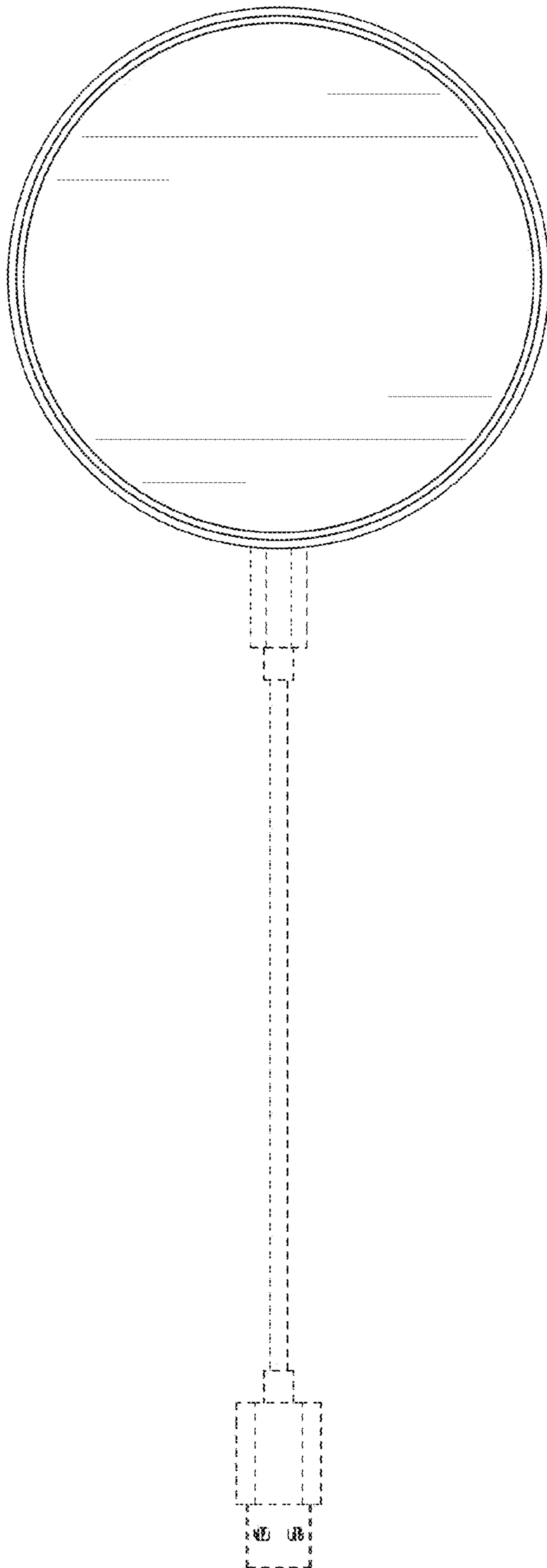


FIG. 6

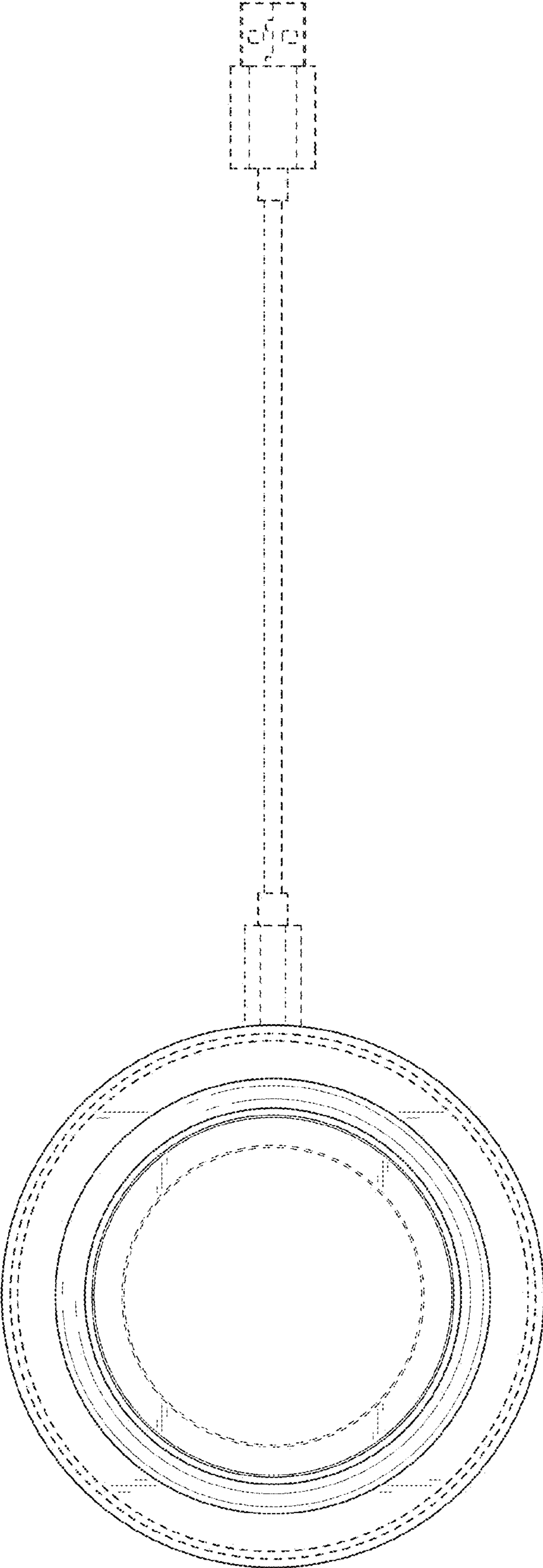


FIG. 7