

US00D900025S

(12) **United States Design Patent**
Chen et al.

(10) **Patent No.:** **US D900,025 S**
(45) **Date of Patent:** **** Oct. 27, 2020**

(54) **CHARGER**

(71) Applicant: **Globe (Jiangsu) Co., Ltd.**, Changzhou, Jiangsu (CN)

(72) Inventors: **Jianlong Chen**, Jiangsu (CN);
Yangping Qiu, Jiangsu (CN)

(73) Assignee: **Globe (Jiangsu) Co., Ltd.**, Changzhou, Jiangsu (CN)

(**) Term: **15 Years**

(21) Appl. No.: **29/702,338**

(22) Filed: **Aug. 19, 2019**

(30) **Foreign Application Priority Data**

Feb. 19, 2019 (CN) 2019 3 0067346

(51) **LOC (12) Cl.** **13-02**

(52) **U.S. Cl.**
USPC **D13/107**

(58) **Field of Classification Search**
USPC D13/103, 107-108, 110, 184, 199;
D14/251, 253, 432, 434
CPC H02J 7/0044; H02J 7/0045; H02J 7/0042;
H02J 7/342; H02J 7/345; H02J 7/025;
H02J 7/026; H02J 7/0007; H02J 7/0027;
H02J 7/0003; H02J 50/00; H02J 50/10;
H02J 50/12; H02J 50/80; H02J 50/40;
H02J 50/402; H02J 50/50
See application file for complete search history.

(56) **References Cited**

U.S. PATENT DOCUMENTS

D327,247 S * 6/1992 Higuchi D13/108
D328,450 S * 8/1992 Watanabe D13/108
5,689,171 A * 11/1997 Ludewig H02J 7/0042
320/110

D409,976 S * 5/1999 Buck D13/107
D420,323 S * 2/2000 Nakamura D13/107
D430,537 S * 9/2000 Etter D13/107
6,346,793 B1 * 2/2002 Shibata H02J 7/0042
320/107
D505,913 S * 6/2005 Kam Lun D13/107
D507,525 S * 7/2005 Heun D13/107
D573,089 S * 7/2008 Mandel D13/107
D605,111 S * 12/2009 Schoch D13/107
D610,085 S * 2/2010 Sweeney D13/107
D635,917 S * 4/2011 Okuda D13/107
D636,723 S * 4/2011 Yamamoto D13/107
D642,518 S * 8/2011 Kokawa D13/107
D652,793 S * 1/2012 Tschopp D13/107
D721,648 S * 1/2015 Breines D13/107
D791,696 S * 7/2017 Tinius D13/107
D855,019 S * 7/2019 Rustill D13/108
D885,331 S * 5/2020 Suzuki D13/108

* cited by examiner

Primary Examiner — Rosemary K Tarcza

(74) *Attorney, Agent, or Firm* — Rooney IP, LLC

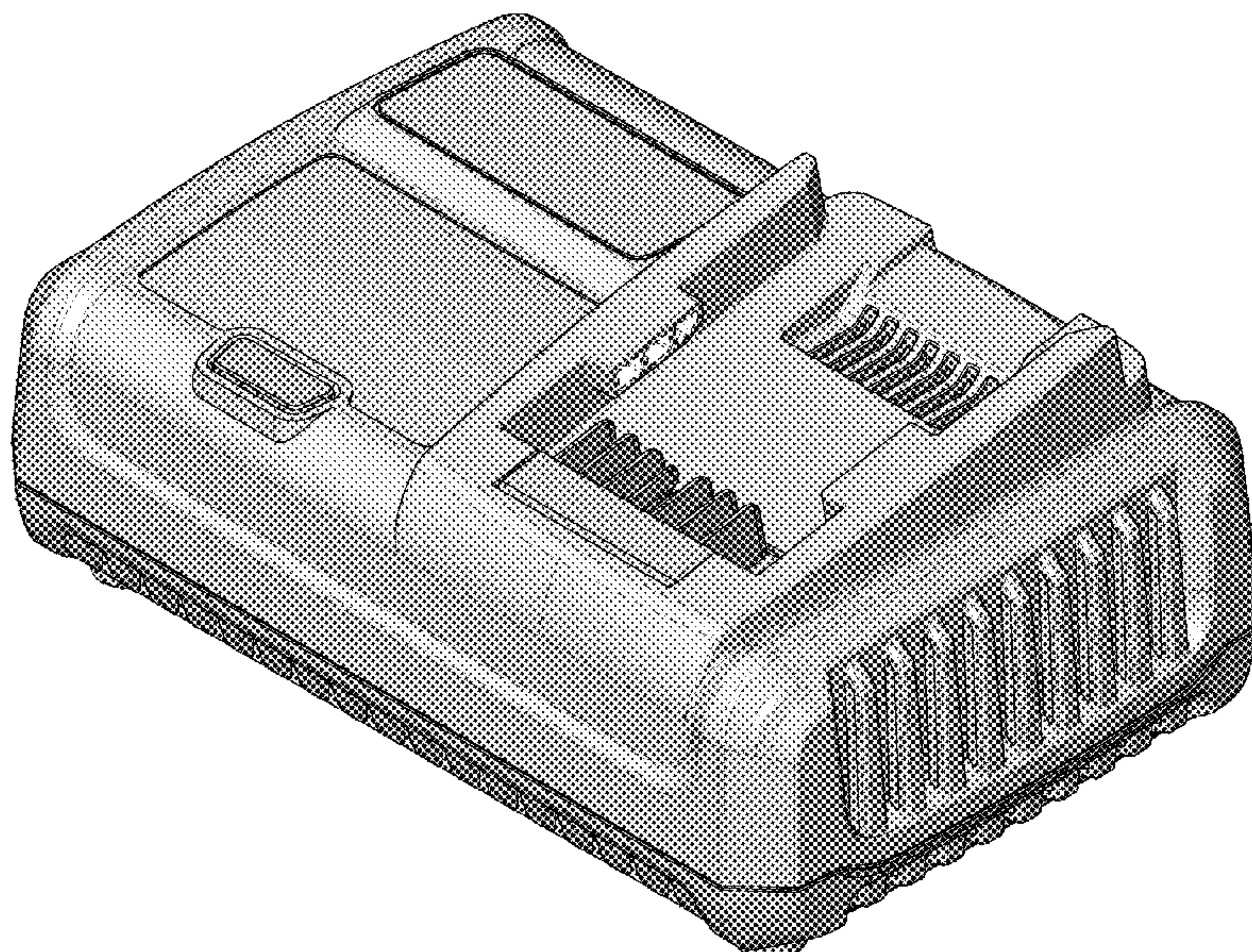
(57) **CLAIM**

The ornamental design for a charger, as shown and described.

DESCRIPTION

FIG. 1 is front perspective view of the charger.
FIG. 2 is a rear perspective view of the charger.
FIG. 3 is a bottom front perspective view of the charger.
FIG. 4 is a front view of the charger.
FIG. 5 is a rear view of the charger.
FIG. 6 is a left side view of the charger.
FIG. 7 is a right side view of the charger.
FIG. 8 is a top view of the charger; and,
FIG. 9 is a bottom view of the charger.
The broken lines shown in the drawings are for the purpose of illustrating portions of the charger that form no part of the claimed design.

1 Claim, 9 Drawing Sheets



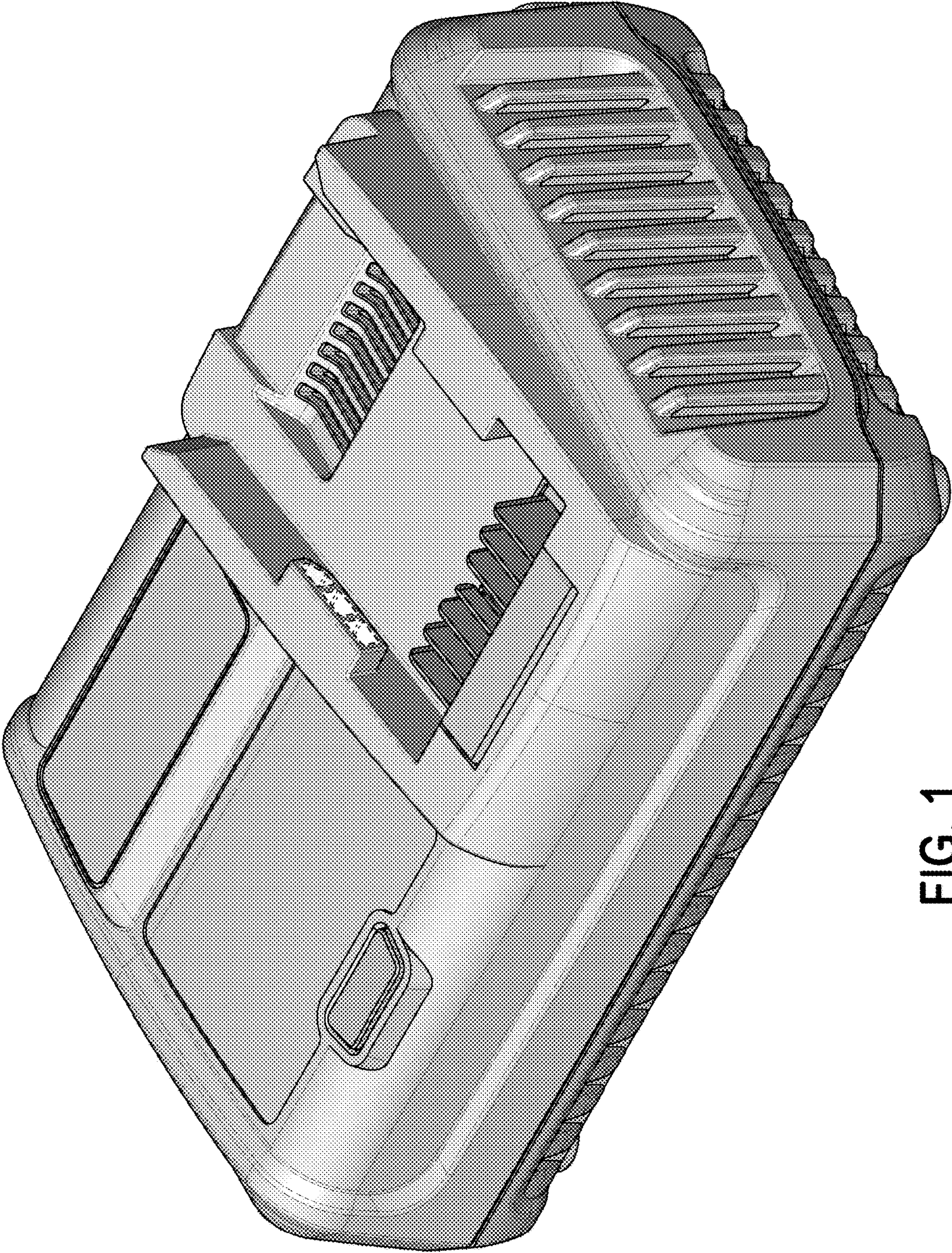


FIG. 1

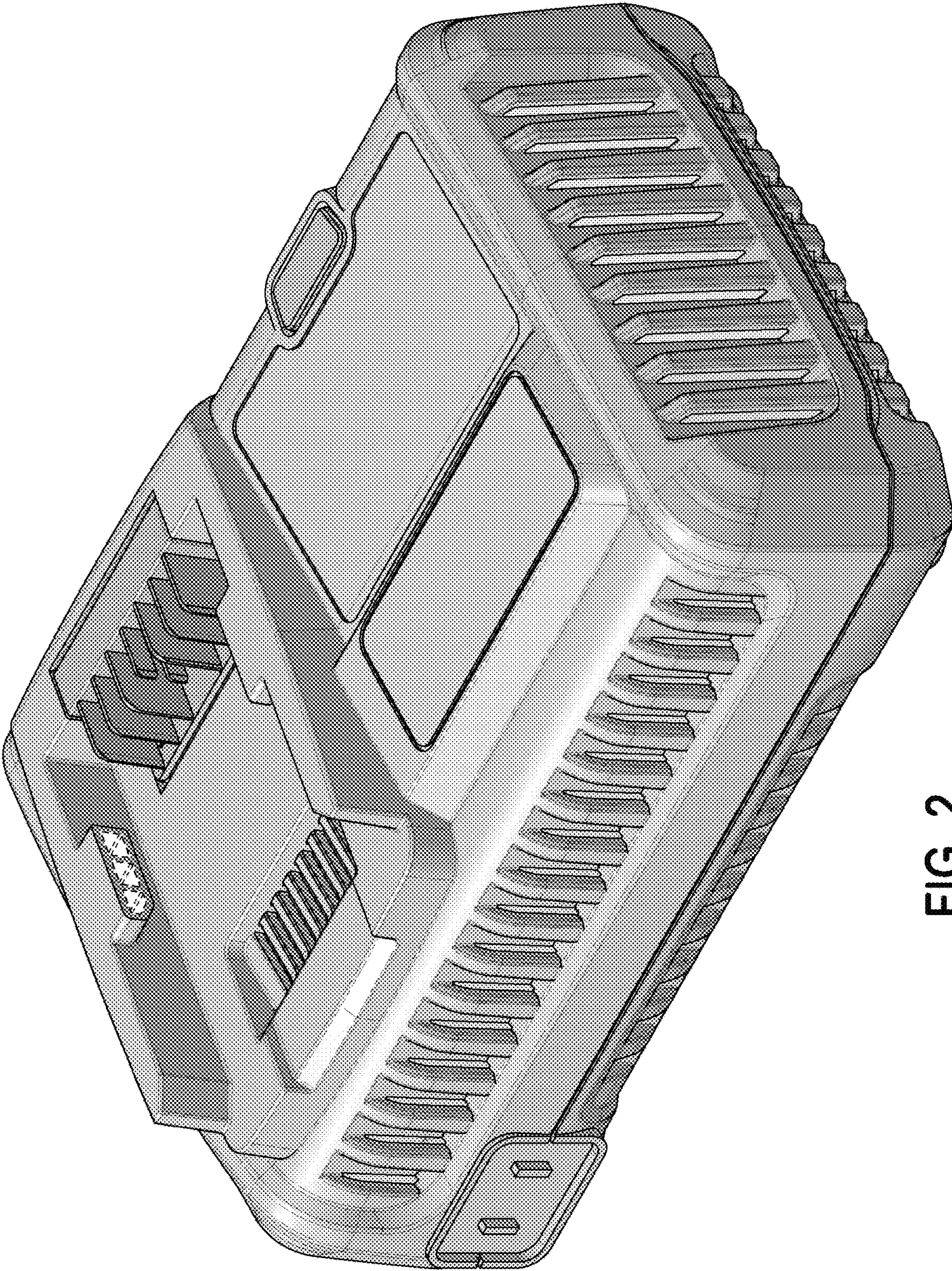


FIG. 2

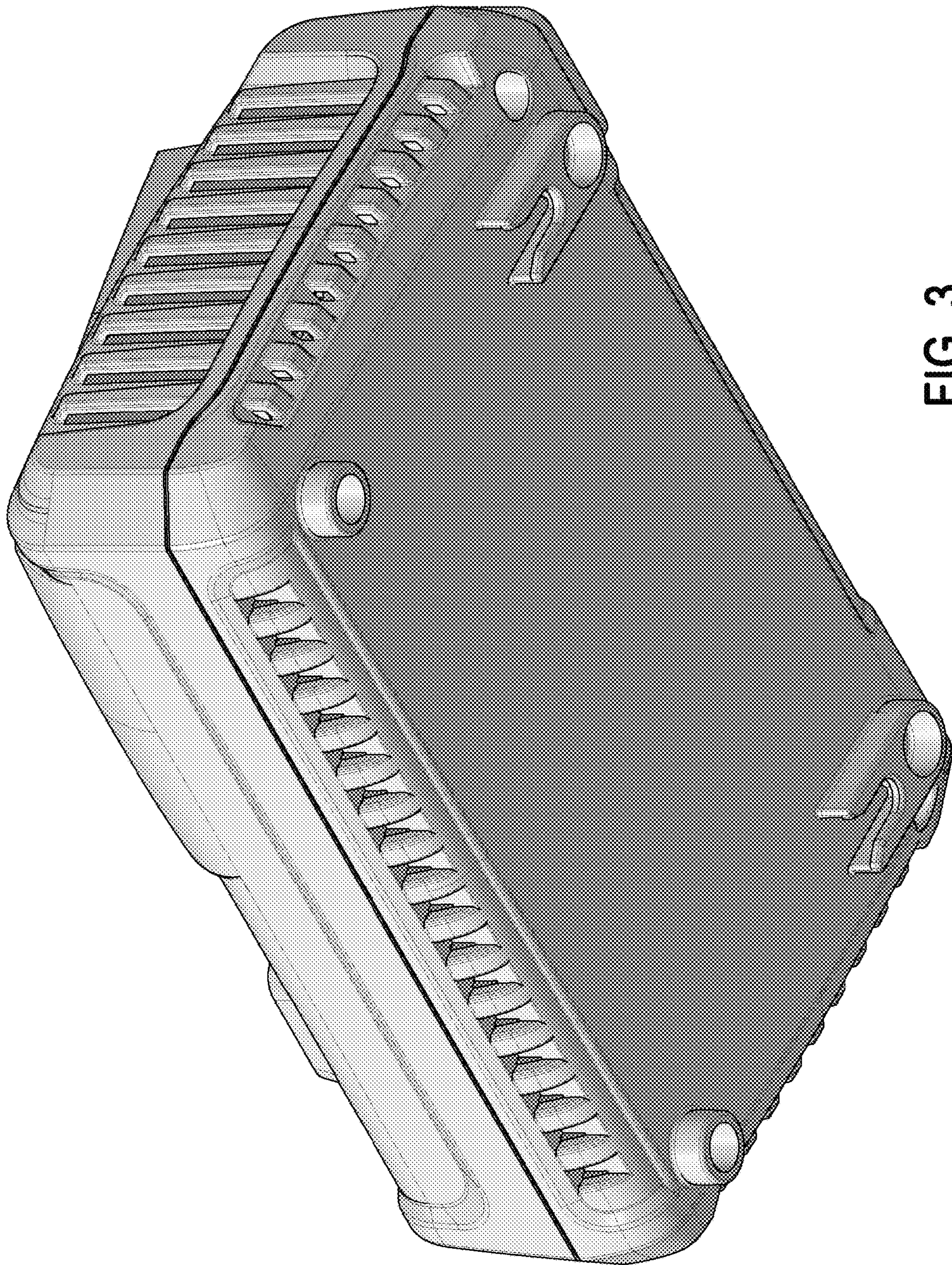


FIG. 3

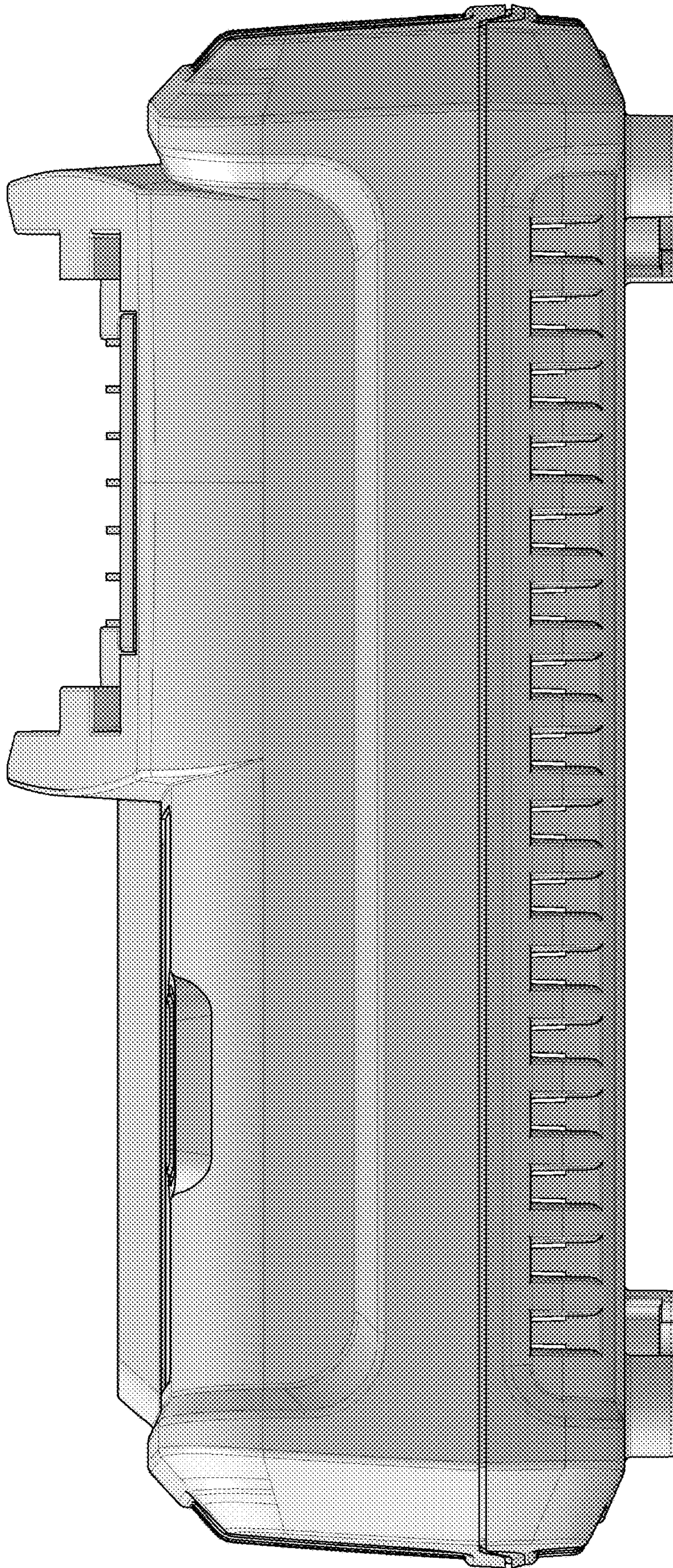


FIG. 4

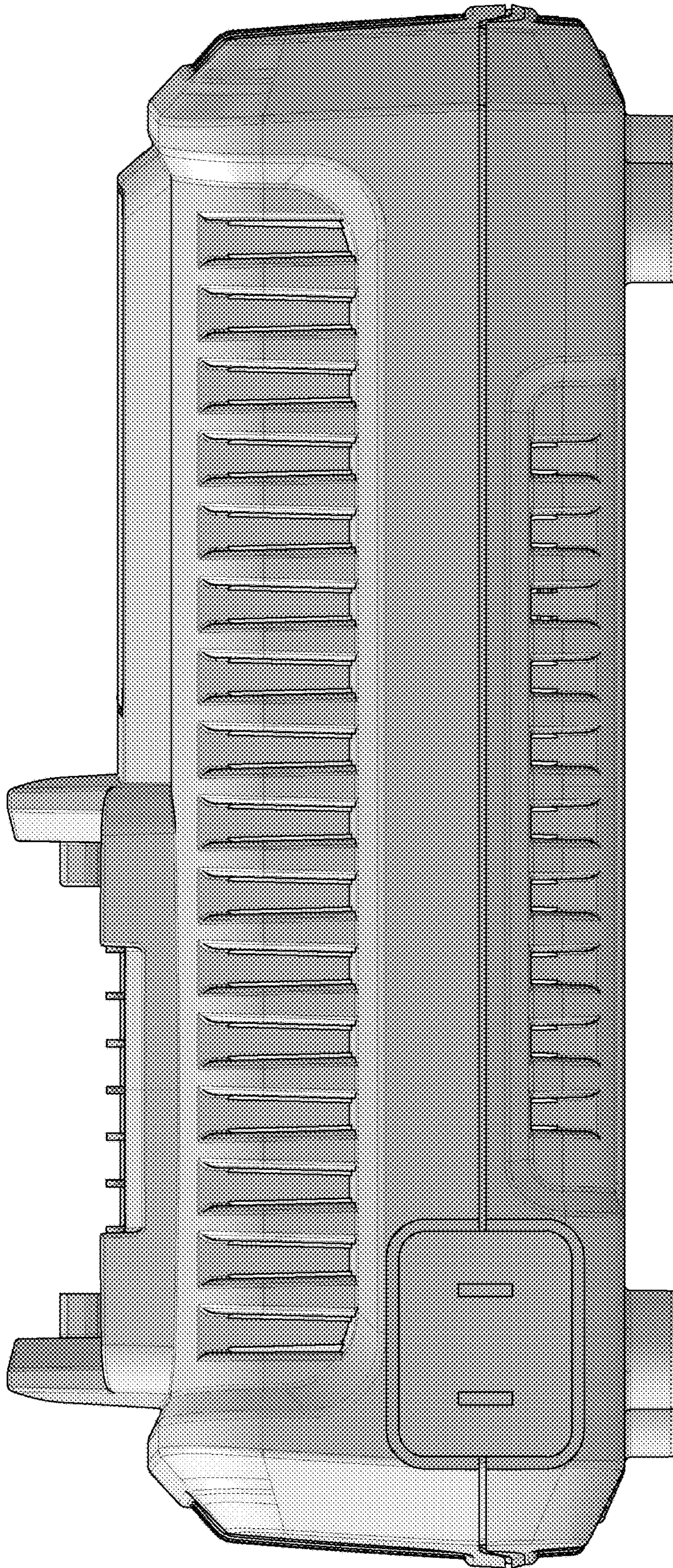


FIG. 5

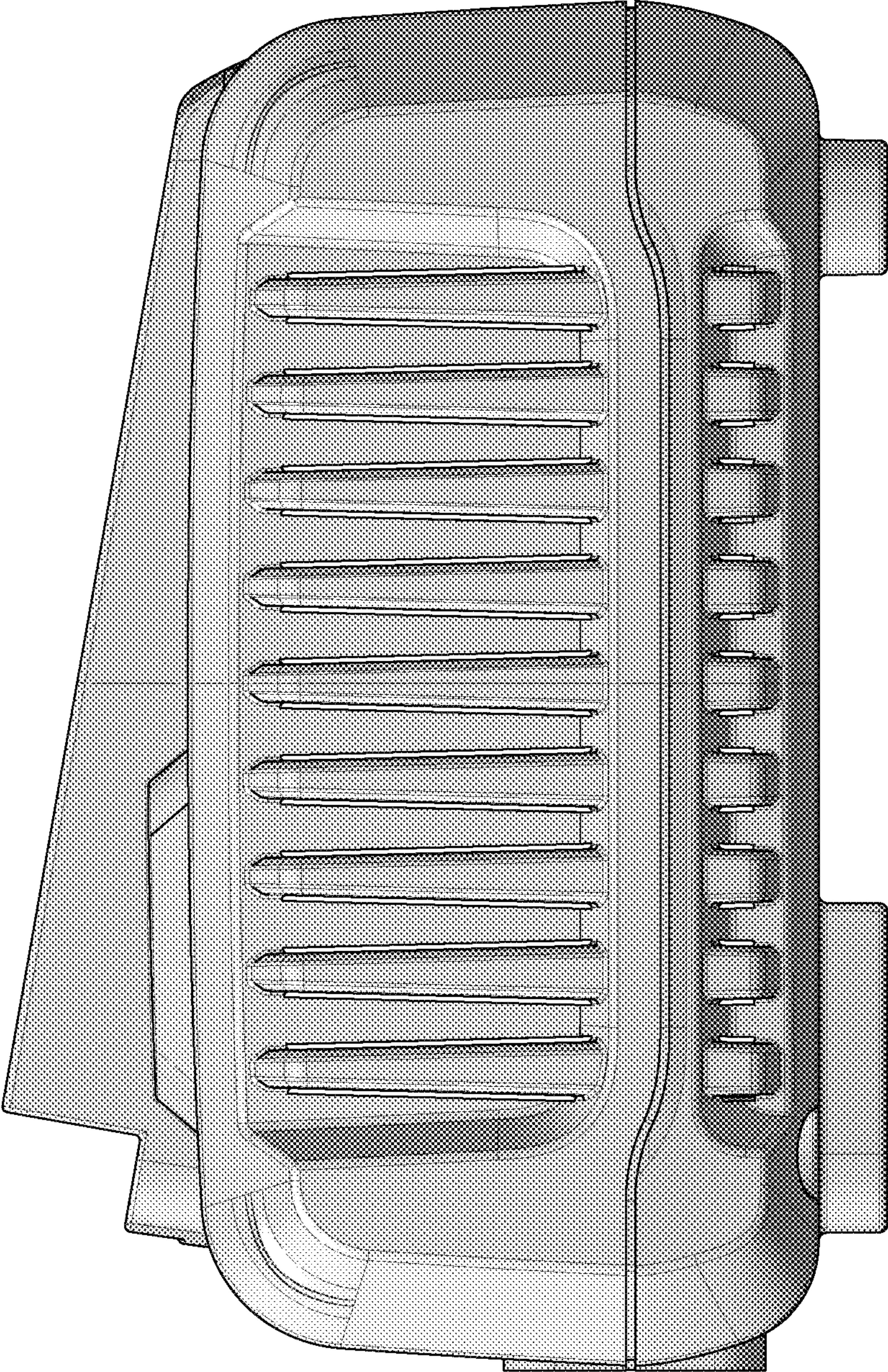


FIG. 6

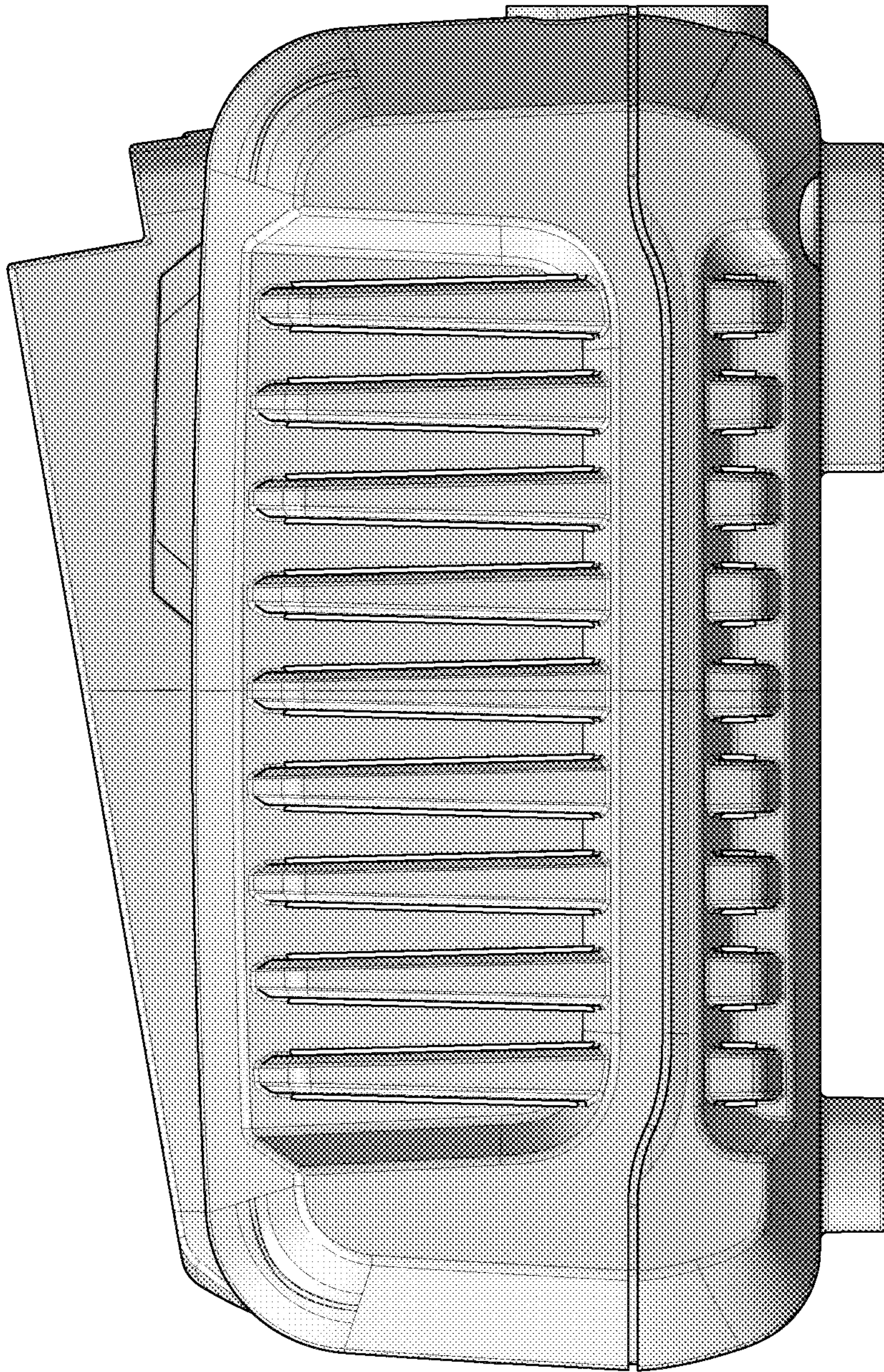


FIG. 7

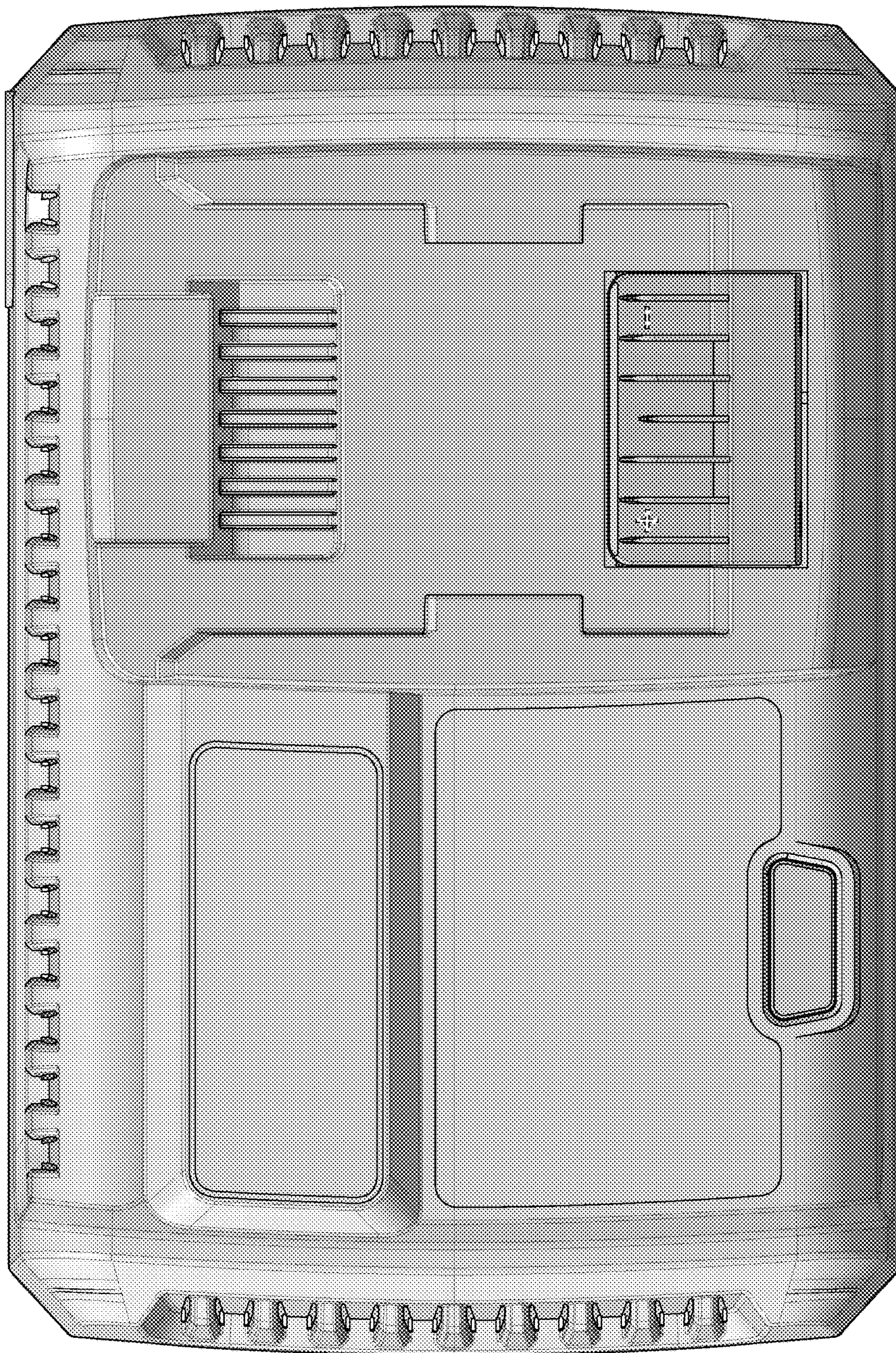


FIG. 8

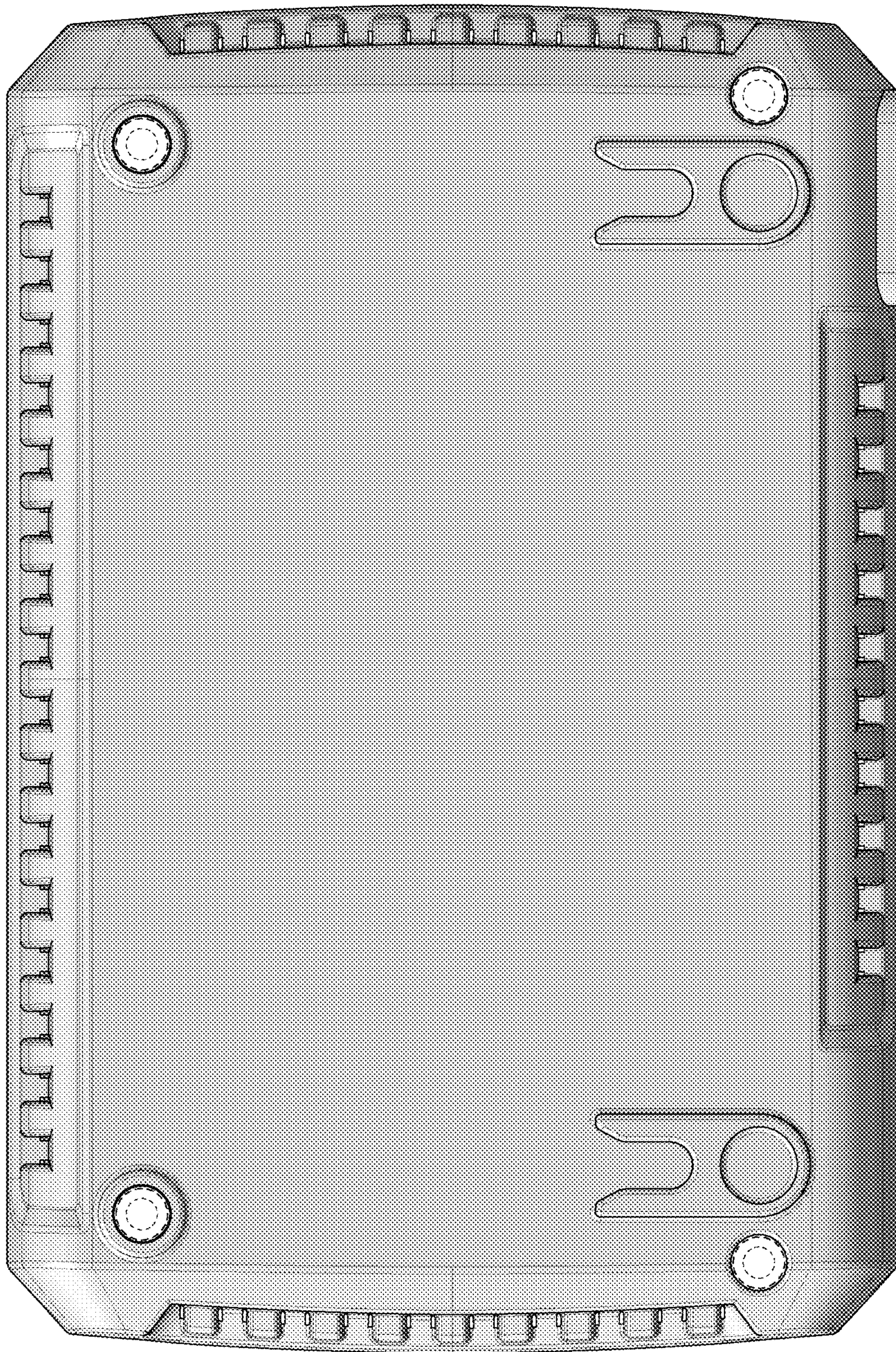


FIG. 9