



US00D900022S

(12) **United States Design Patent** (10) **Patent No.:** **US D900,022 S**
Bell et al. (45) **Date of Patent:** **** Oct. 27, 2020**

(54) **BATTERY**

(71) Applicant: **Furrion Property Holding Limited,**
Hong Kong (HK)

(72) Inventors: **Steven Neill Bell,** Hong Kong (HK);
Matthew David Fidler, Hong Kong
(HK); **Bernard San Lap Lo,** Hong
Kong (HK); **Tsz Shun Jason Wong,**
Hong Kong (HK)

(73) Assignee: **Furrion Property Holding Limited,**
Hong Kong (HK)

(**) Term: **15 Years**

(21) Appl. No.: **29/675,674**

(22) Filed: **Jan. 4, 2019**

(51) **LOC (12) Cl.** **13-02**

(52) **U.S. Cl.**
USPC **D13/103**

(58) **Field of Classification Search**

USPC D13/103, 107, 108, 110, 133,
D13/137.1-137.4, 138.1-138.2,
D13/139.1-139.8, 146, 147, 151-156,
D13/173, 177, 199; D14/432, 433, 435.1,
D14/250; D23/231, 232; D15/7-9;
D8/350, 353-356
CPC H01R 11/00; H01R 9/00; H01R 13/00;
H01R 13/04; H01R 13/10; H01R
13/6666; H01R 13/6675; H01R 25/00;
H01R 25/006; H01H 2207/00; H01H
2207/022; Y02E 60/12; Y02E 60/122;
Y02E 60/124; Y02E 60/50; H01M 2/02;
H01M 2/022; H01M 2/0202; H01M
2/0207; H01M 2/0212; H01M 2/1061;
H01M 2/1022; H01M 2/1055; H01M
2/1066; H01M 2/105; H01M 2/204; H02J
7/00; H02J 7/0003; H02J 7/0011; H02J
7/0013; H02J 7/0054; H02J 7/0055; H02J
7/0057; Y02T 10/7005; Y02T 10/705;
Y02T 10/7088; B60L 11/1809; B60L
11/1861

See application file for complete search history.

(56) **References Cited**

U.S. PATENT DOCUMENTS

D401,552 S 11/1998 Tanaka et al.
D402,258 S 12/1998 Kawakami
D427,970 S 7/2000 Sage

(Continued)

FOREIGN PATENT DOCUMENTS

CN 207134825 U 3/2018
CN 207303176 U 5/2018

(Continued)

OTHER PUBLICATIONS

U.S. Appl. No. 29/675,689, filed Jan. 4, 2019, 8 pages.
U.S. Appl. No. 29/675,691, filed Jan. 4, 2019, 7 pages.

Primary Examiner — Rosemary K Tarcza

Assistant Examiner — Christy M Nemeth

(74) *Attorney, Agent, or Firm* — Faegre Drinker Biddle &
Reath LLP

(57) **CLAIM**

The ornamental design for a battery, as shown and described.

DESCRIPTION

FIG. 1 is a front perspective view of a battery of our new
design;

FIG. 2 is a front elevation view thereof;

FIG. 3 is a rear elevation view thereof;

FIG. 4 is a left side elevation view thereof;

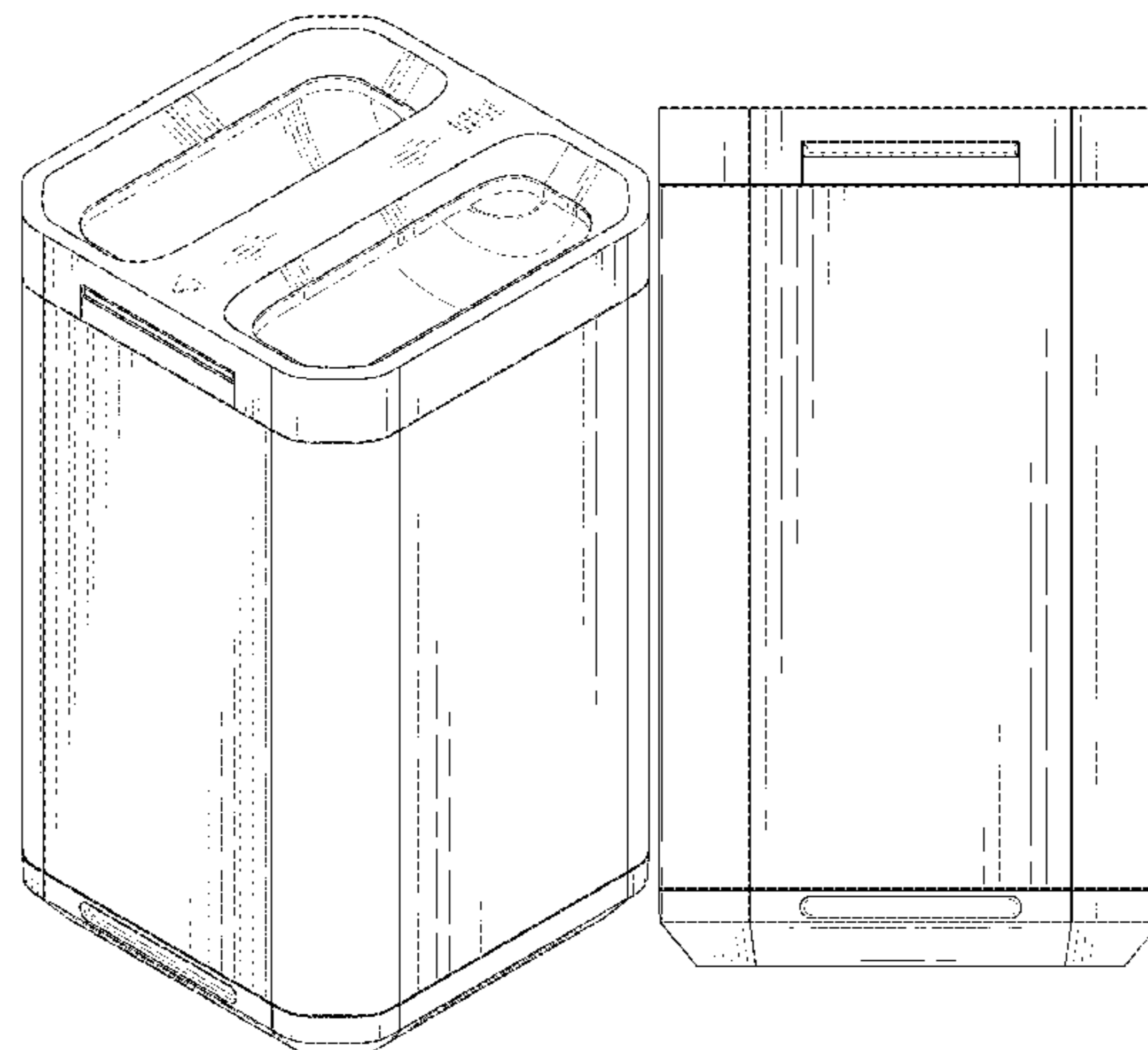
FIG. 5 is a right side elevation view thereof;

FIG. 6 is a top plan view thereof; and,

FIG. 7 is a bottom plan view thereof.

The broken lines in the drawings illustrate portions of the
battery that form no part of the claimed design.

1 Claim, 7 Drawing Sheets



(56)

References Cited

U.S. PATENT DOCUMENTS

D532,365 S 11/2006 Shen
 7,253,585 B2 8/2007 Johnson et al.
 D588,536 S 3/2009 Wahl et al.
 7,671,565 B2 3/2010 Straubel et al.
 D629,355 S 12/2010 Bodley et al.
 D641,694 S * 7/2011 Akahori D13/107
 D645,817 S * 9/2011 Sasada D13/108
 8,093,863 B2 1/2012 Carrier et al.
 D674,748 S 1/2013 Ferber et al.
 D682,196 S 5/2013 Leung
 8,541,985 B1 9/2013 Wong
 D695,680 S * 12/2013 Workman D13/103
 8,618,772 B2 12/2013 Thomas et al.
 8,749,983 B2 6/2014 Vandiver et al.
 D709,028 S * 7/2014 Thompson D13/108
 D714,293 S * 9/2014 Kelly D14/433
 D722,042 S 2/2015 Nakamura
 D749,042 S 2/2016 Gecawicz et al.
 D753,059 S 4/2016 Krantz et al.
 D755,155 S * 5/2016 Paterson D14/204
 D762,165 S * 7/2016 Rowe D13/103
 D762,193 S * 7/2016 Petersen D14/215
 9,385,351 B2 7/2016 Workman et al.
 9,553,481 B2 1/2017 Prommel et al.
 D779,719 S * 2/2017 Qiu D27/101
 9,688,252 B2 6/2017 Gaffoglio et al.
 D805,499 S * 12/2017 Crolla D14/214
 D806,019 S 12/2017 Wang et al.
 9,857,048 B2 1/2018 Workman et al.
 D813,162 S 3/2018 Krantz et al.
 9,923,393 B2 3/2018 Workman et al.
 D816,028 S 4/2018 Chen
 9,979,215 B2 5/2018 Workman et al.
 D820,197 S * 6/2018 Luke D13/103
 D820,782 S 6/2018 Wang et al.
 D821,305 S * 6/2018 Liu D13/103
 D821,310 S 6/2018 Krantz et al.
 D823,792 S 7/2018 Komoni et al.
 D835,574 S * 12/2018 Trongone D13/103
 D836,066 S * 12/2018 Lim D13/103
 D841,574 S * 2/2019 Ma D13/103
 D843,938 S * 3/2019 Park D13/108

D845,233 S * 4/2019 Zeng D13/108
 D846,492 S * 4/2019 Verleur D13/103
 D846,494 S * 4/2019 Takahashi D13/103
 D846,497 S 4/2019 Clark
 D851,584 S * 6/2019 Luke D13/103
 D855,018 S * 7/2019 Gan D13/103
 D855,251 S * 7/2019 Qiu D27/162
 D861,240 S * 9/2019 Qiu D27/101
 D861,603 S * 10/2019 Zhong D13/110
 D861,973 S * 10/2019 Qiu D27/101
 D864,862 S * 10/2019 Cheng D13/108
 D864,965 S * 10/2019 Sang D14/434
 D865,676 S * 11/2019 Liao D13/147
 D866,460 S 11/2019 Komoni et al.
 D868,685 S * 12/2019 Niedzwecki D13/103
 D870,037 S * 12/2019 Lee D13/107
 D871,321 S * 12/2019 Chung D13/103
 D872,692 S * 1/2020 Li D13/108
 2010/0279166 A1 11/2010 Tseng
 2012/0248868 A1 10/2012 Mobin et al.
 2013/0043826 A1 2/2013 Workman et al.
 2014/0356667 A1 12/2014 Kim
 2014/0357094 A1 12/2014 Kim
 2017/0047755 A1 2/2017 Workman et al.
 2017/0098805 A1 4/2017 Liu et al.
 2017/0194800 A1 7/2017 Meoli
 2018/0020738 A1* 1/2018 Qiu A24F 47/008
 131/329
 2018/0034015 A1 2/2018 Krantz et al.
 2018/0034266 A1 2/2018 Vasefi et al.
 2018/0034267 A1 2/2018 Vasefi et al.
 2018/0238954 A1 8/2018 Robison et al.
 2018/0241236 A1 8/2018 Vasefi et al.

FOREIGN PATENT DOCUMENTS

CN 207304039 U 5/2018
 CN 207304053 U 5/2018
 CN 207304056 U 5/2018
 CN 207339312 U 5/2018
 CN 207339318 U 5/2018
 CN 207339320 U 5/2018
 CN 108258773 A 7/2018

* cited by examiner

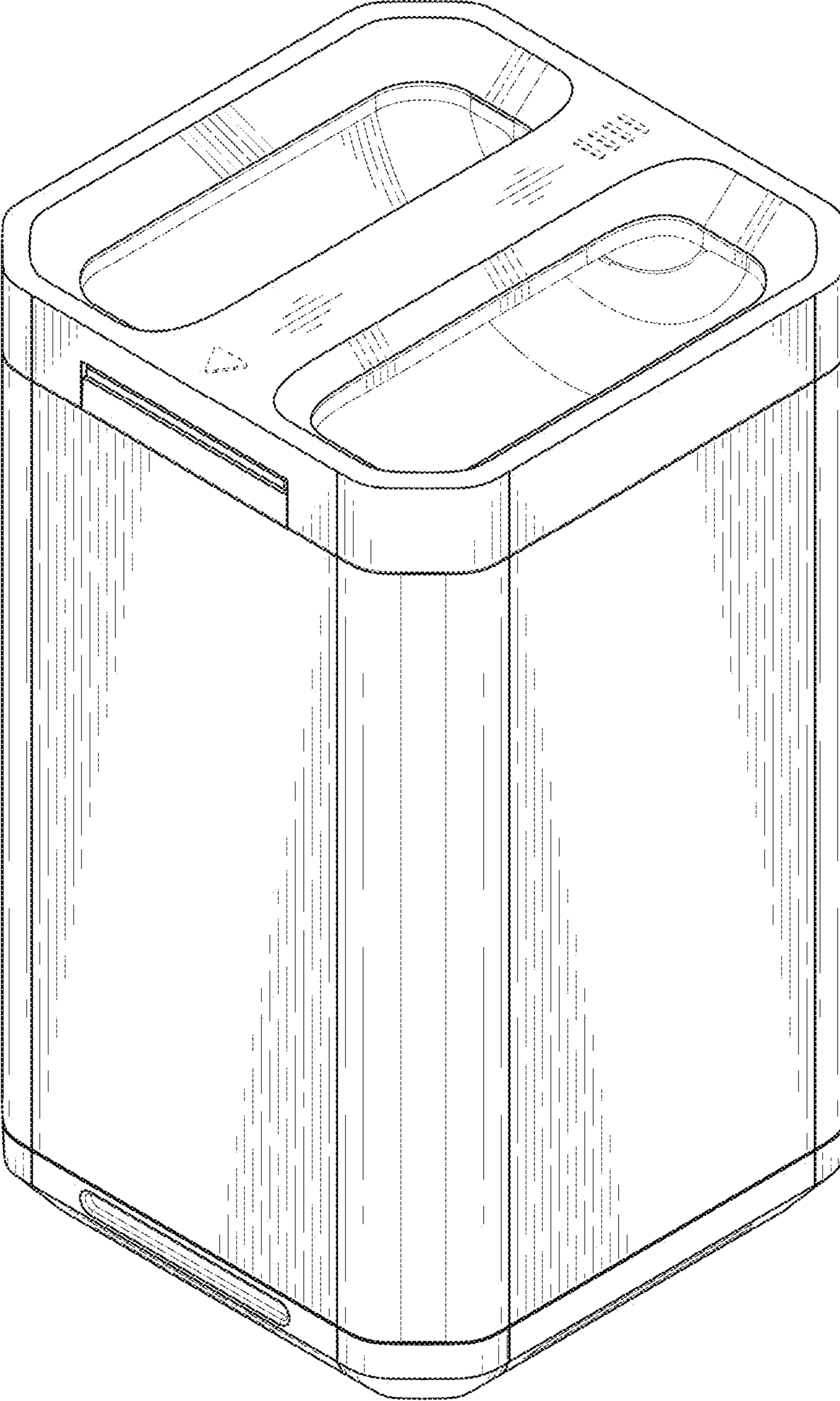


FIG. 1

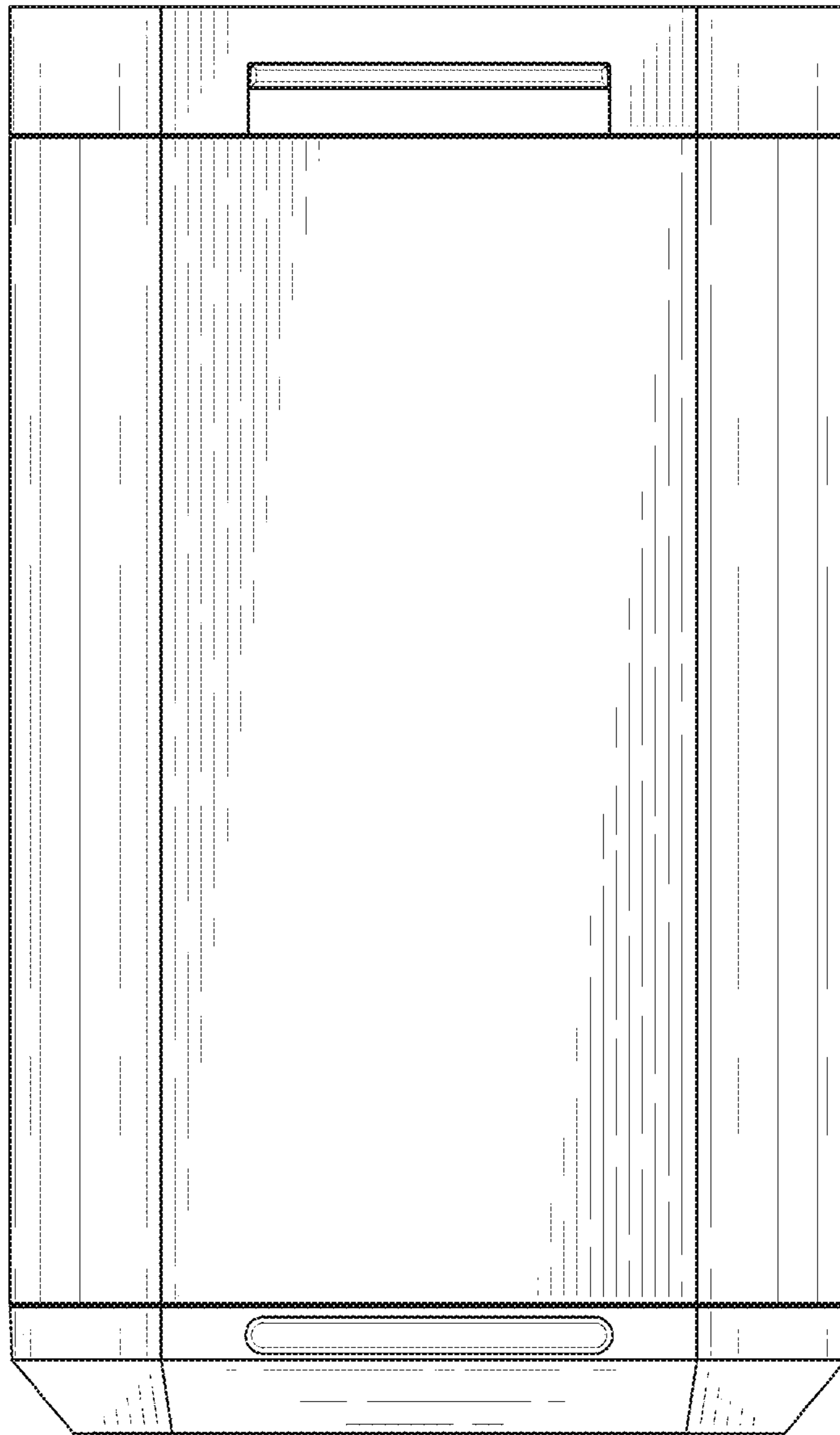


FIG. 2

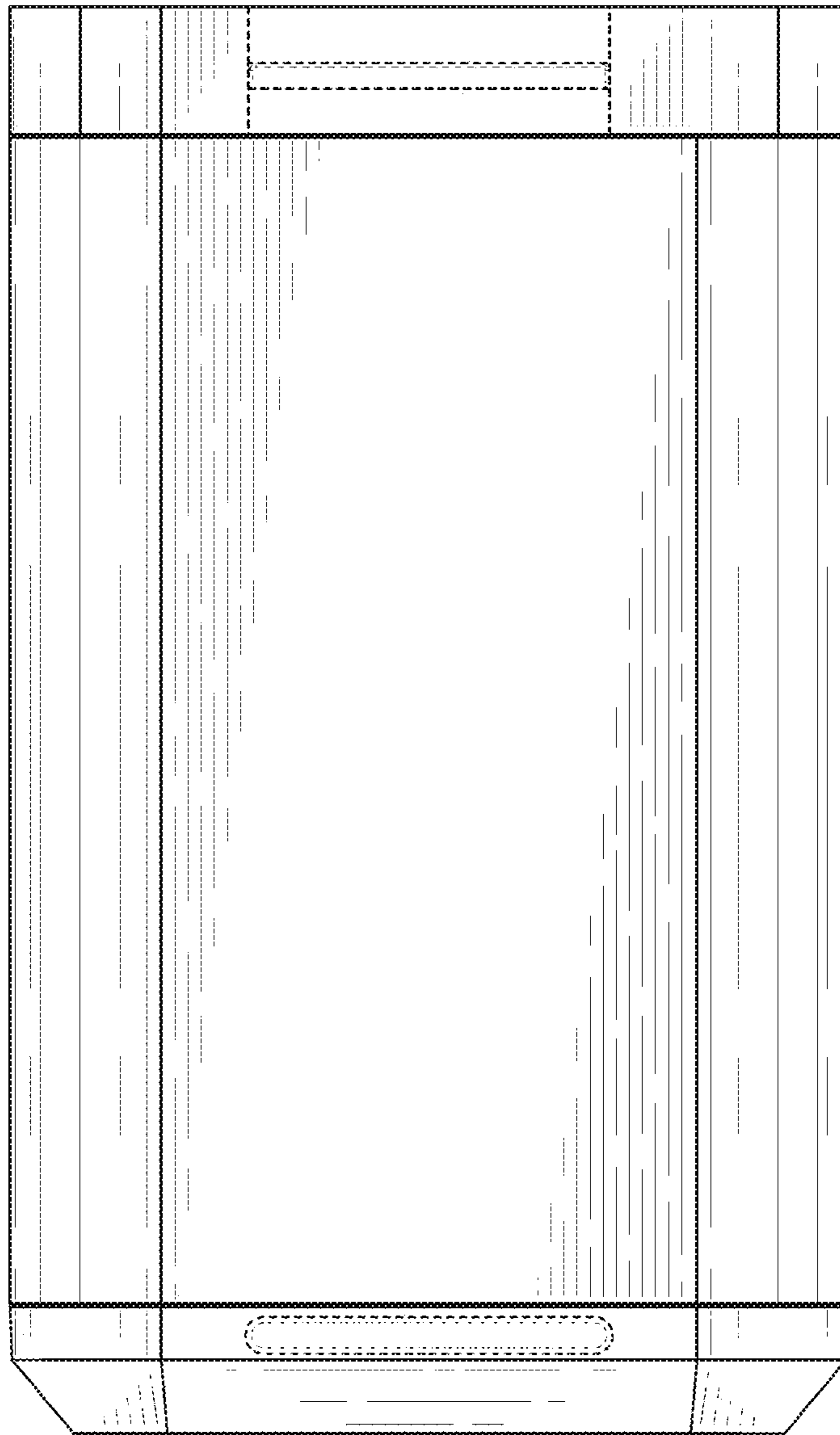


FIG. 3

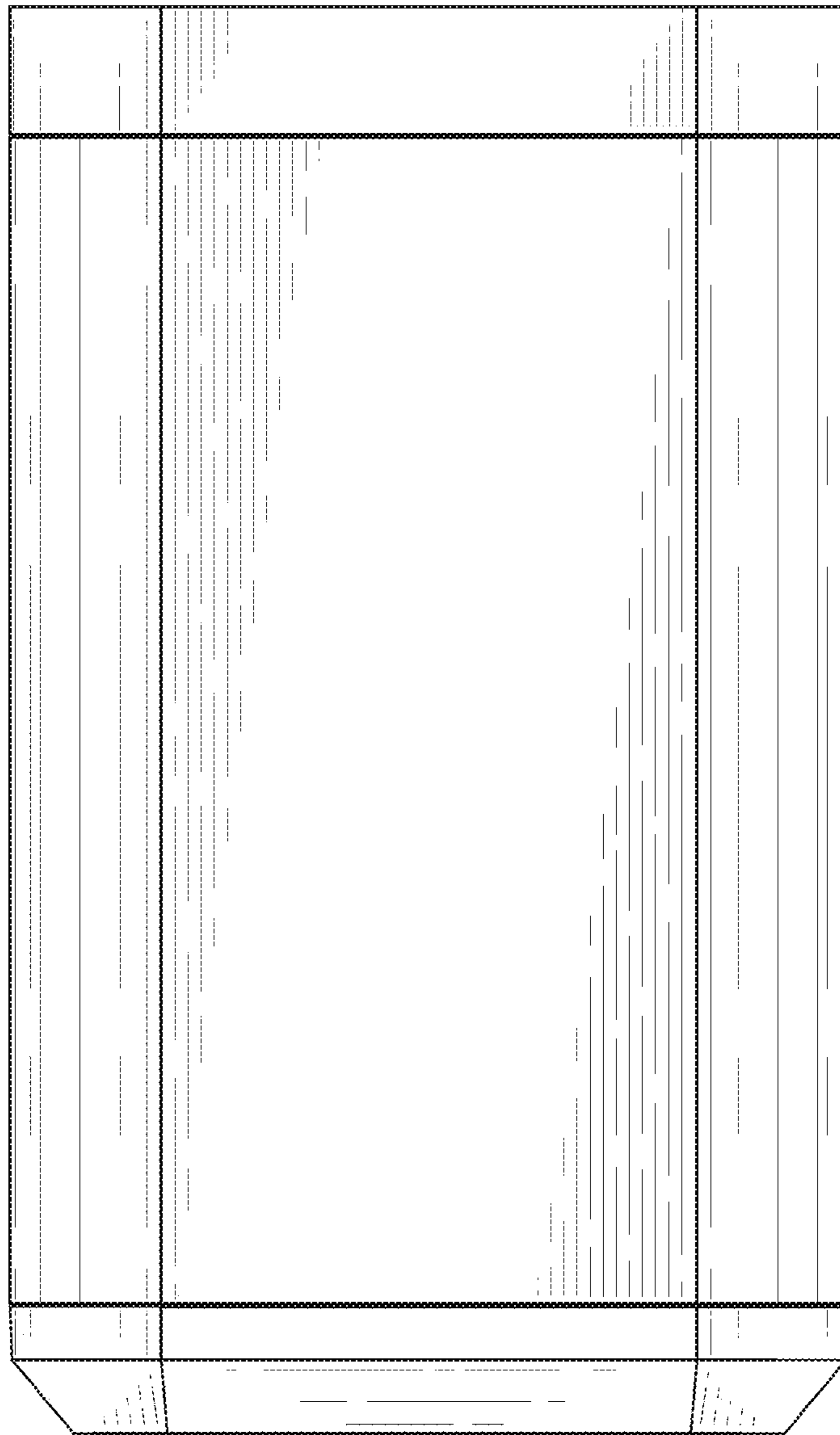


FIG. 4

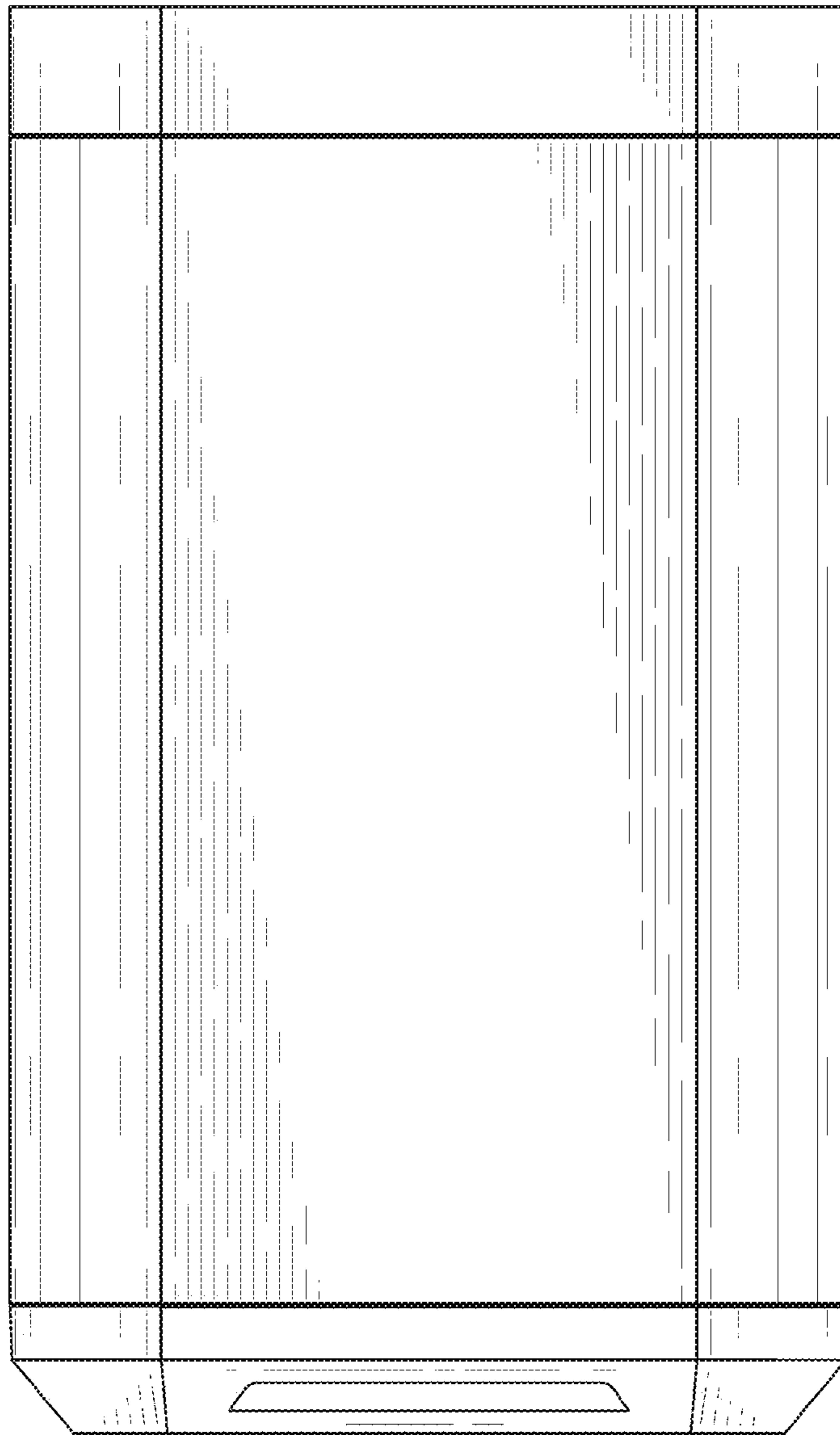


FIG. 5

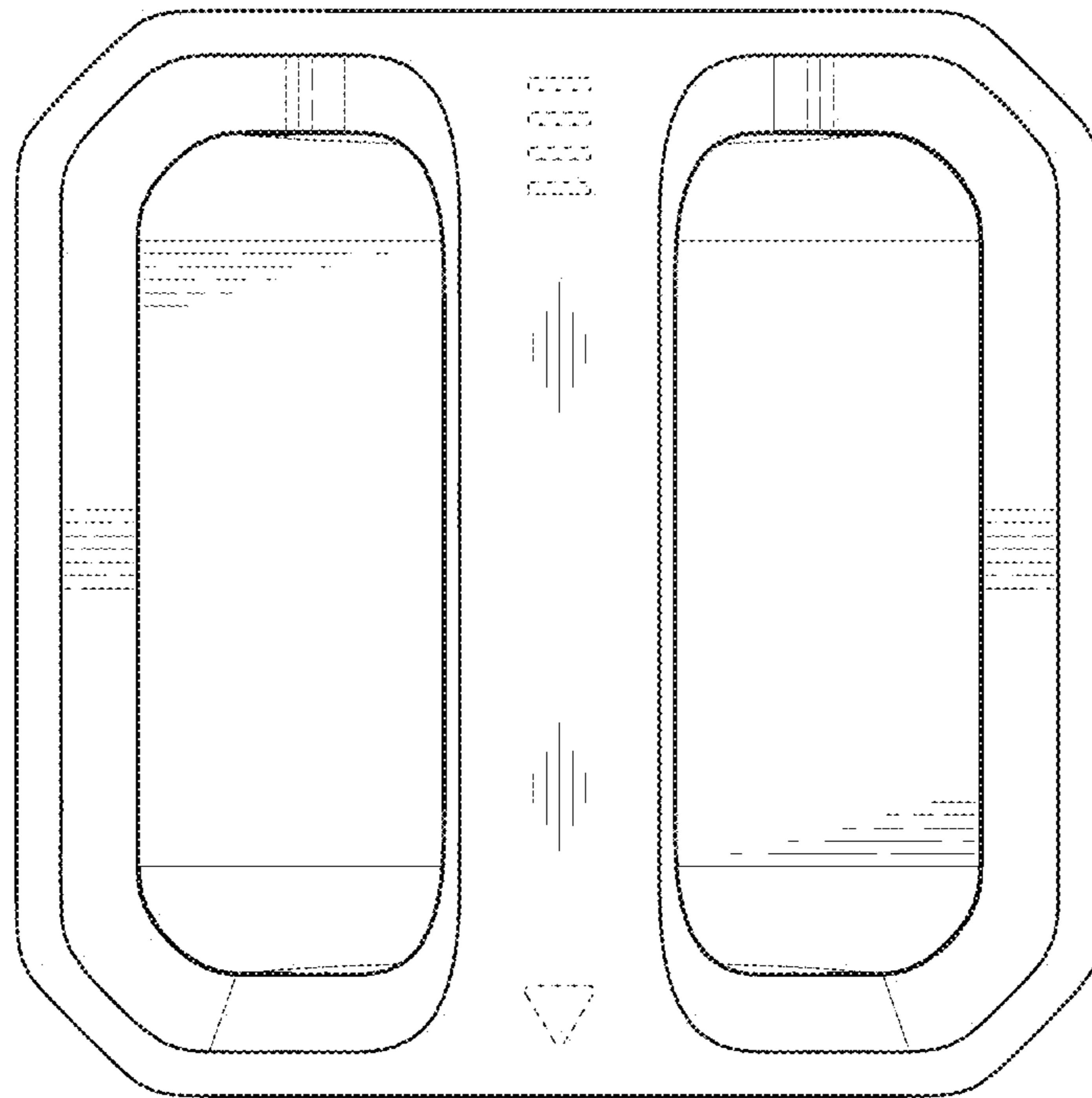


FIG. 6

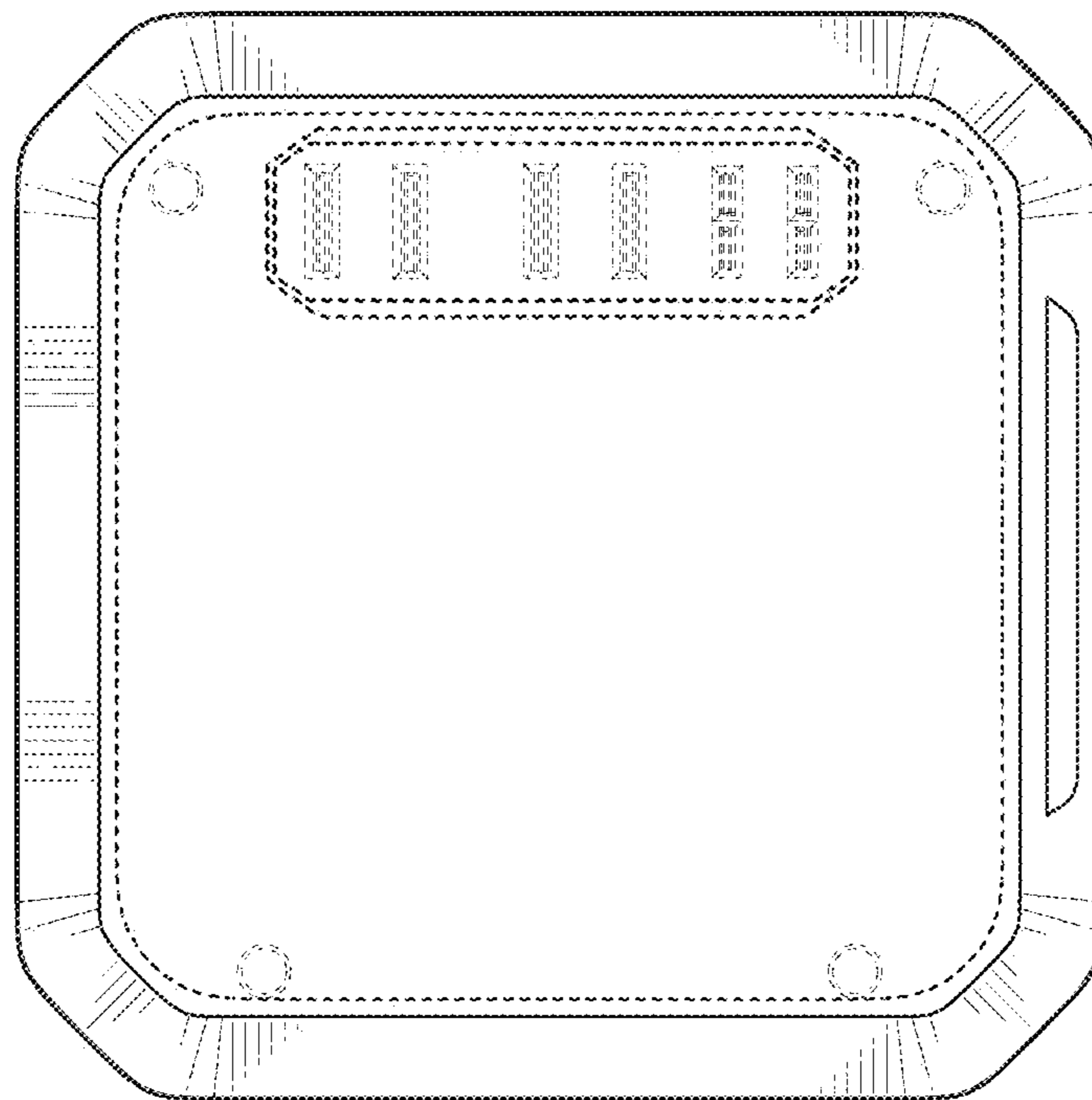


FIG. 7