



US00D900021S

(12) **United States Design Patent**
Shen et al.

(10) **Patent No.:** **US D900,021 S**

(45) **Date of Patent:** **** Oct. 27, 2020**

(54) **BATTERY**

(71) Applicant: **Zebra Technologies Corporation**,
Lincolnshire, IL (US)

(72) Inventors: **Mu-Kai Shen**, Taipei (TW); **Edward M. Voli**, East Setauket, NY (US);
I-Heng Tsai, Taipei (TW); **Man-Ching Yen**, Taipei (TW)

(73) Assignee: **Zebra Technologies Corporation**,
Lincolnshire, IL (US)

(**) Term: **15 Years**

(21) Appl. No.: **29/670,720**

(22) Filed: **Nov. 19, 2018**

(51) **LOC (12) Cl.** **13-02**

(52) **U.S. Cl.**
USPC **D13/103**

(58) **Field of Classification Search**
USPC D13/102–106, 110, 118–119, 184
CPC Y02E 60/12; Y02E 60/122; Y02E 60/124;
Y02E 60/50; H01M 2/02; H01M 2/022;
H01M 2/0202; H01M 2/0207; H01M
2/0212; H01M 2/1061; H01M 2/1022;
H01M 2/1055; H01M 2/1066; H01M
2/105; H01M 2/204; H01M 2/1016;
H01M 2200/00; H01M 10/4257; H01M
10/0436; H01M 10/48; H01M 10/42
See application file for complete search history.

(56) **References Cited**

U.S. PATENT DOCUMENTS

D303,524 S * 9/1989 Siegner D14/438
D397,670 S * 9/1998 Davies D13/103
D481,008 S * 10/2003 Wade D13/103
D488,436 S * 4/2004 Wulff D13/103
D492,248 S * 6/2004 Gregory D13/103

D504,659 S * 5/2005 Voli D13/103
D520,444 S * 5/2006 Liu D13/103
D562,760 S 2/2008 Hanks
D571,718 S 6/2008 Morris et al.
D578,959 S * 10/2008 Morishita D13/103
D580,352 S 11/2008 Croley
D587,647 S 3/2009 Croley et al.
D613,244 S 4/2010 Palmer et al.
D632,643 S * 2/2011 Tanaka D13/103
D642,517 S * 8/2011 Inman D13/103
D654,850 S * 2/2012 Obata D13/103
D660,788 S * 5/2012 Ziring D13/103
D680,061 S 4/2013 Jiang et al.
D712,347 S * 9/2014 Awiszus D13/103
D766,175 S 9/2016 Tsiopanos et al.

OTHER PUBLICATIONS

MC9200 Series: EMC Configuration and Accessories Guide, pub:
Jan. 2018, p. 18.

* cited by examiner

Primary Examiner — Nathaniel D. Buckner

(57) **CLAIM**

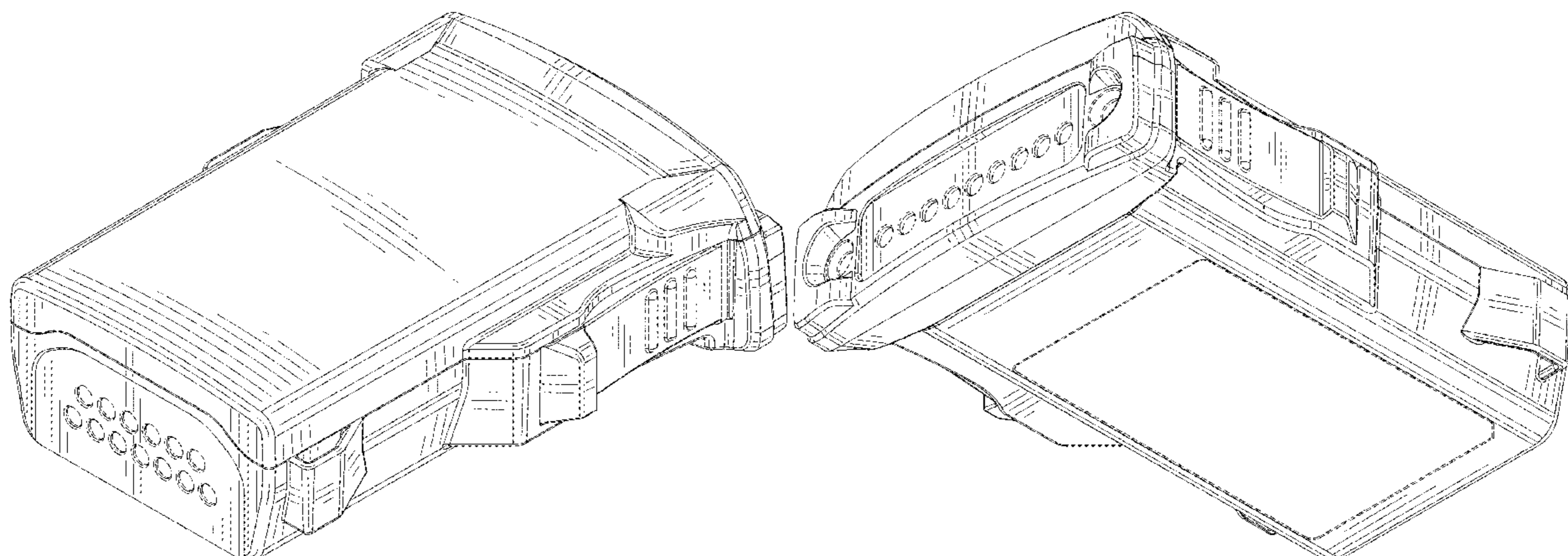
We claim the ornamental design for a battery, as shown and described.

DESCRIPTION

FIG. 1 is a front perspective view of an example battery;
FIG. 2 is a rear perspective view thereof;
FIG. 3 is a top view thereof;
FIG. 4 is a bottom view thereof;
FIG. 5 is a first side view thereof;
FIG. 6 is a second side view thereof;
FIG. 7 is a front view thereof; and,
FIG. 8 is a rear view thereof.

Broken lines of a particular embodiment are for purposes of illustrating environment and form no part of the claimed design.

1 Claim, 6 Drawing Sheets



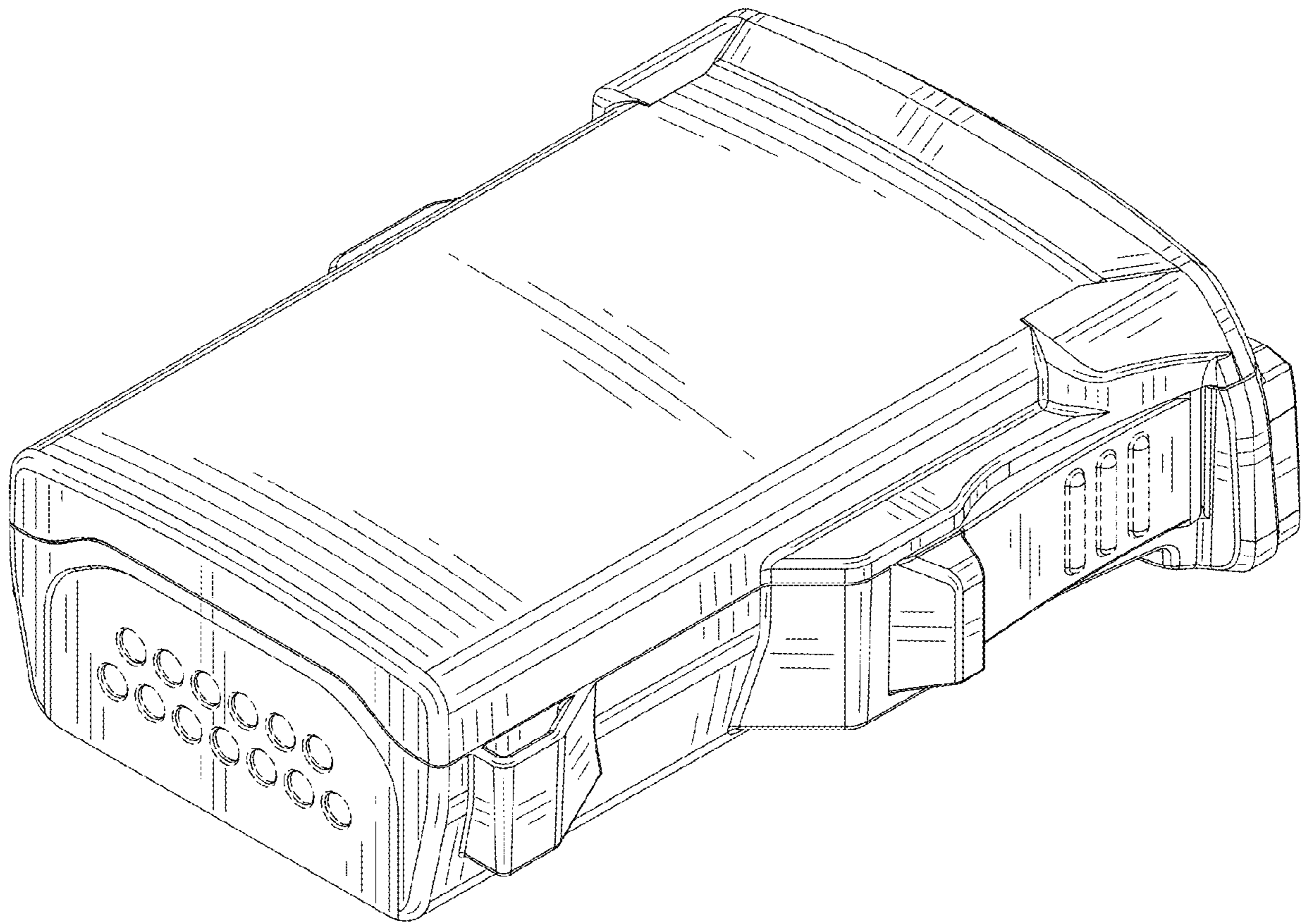


FIG. 1

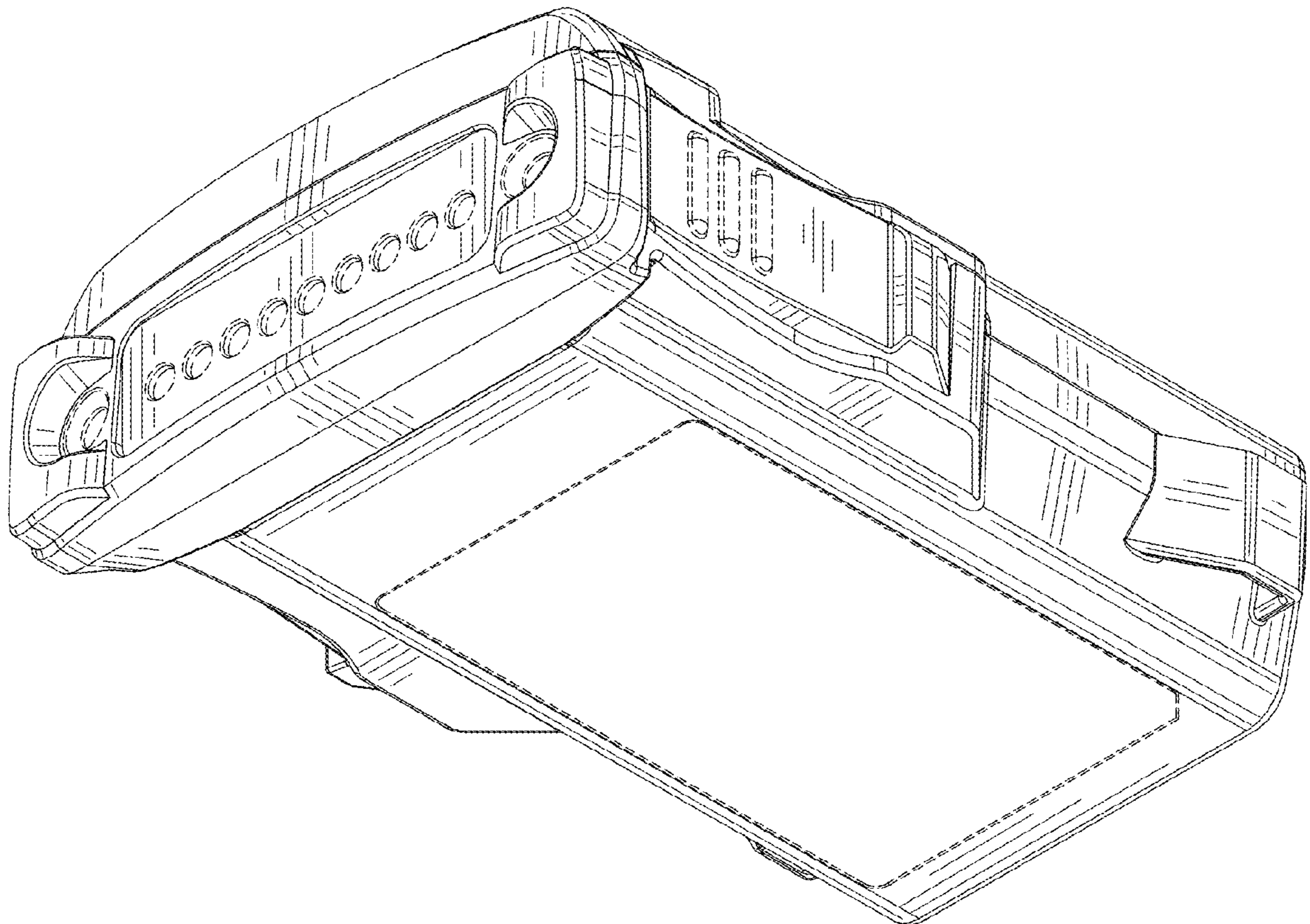


FIG. 2

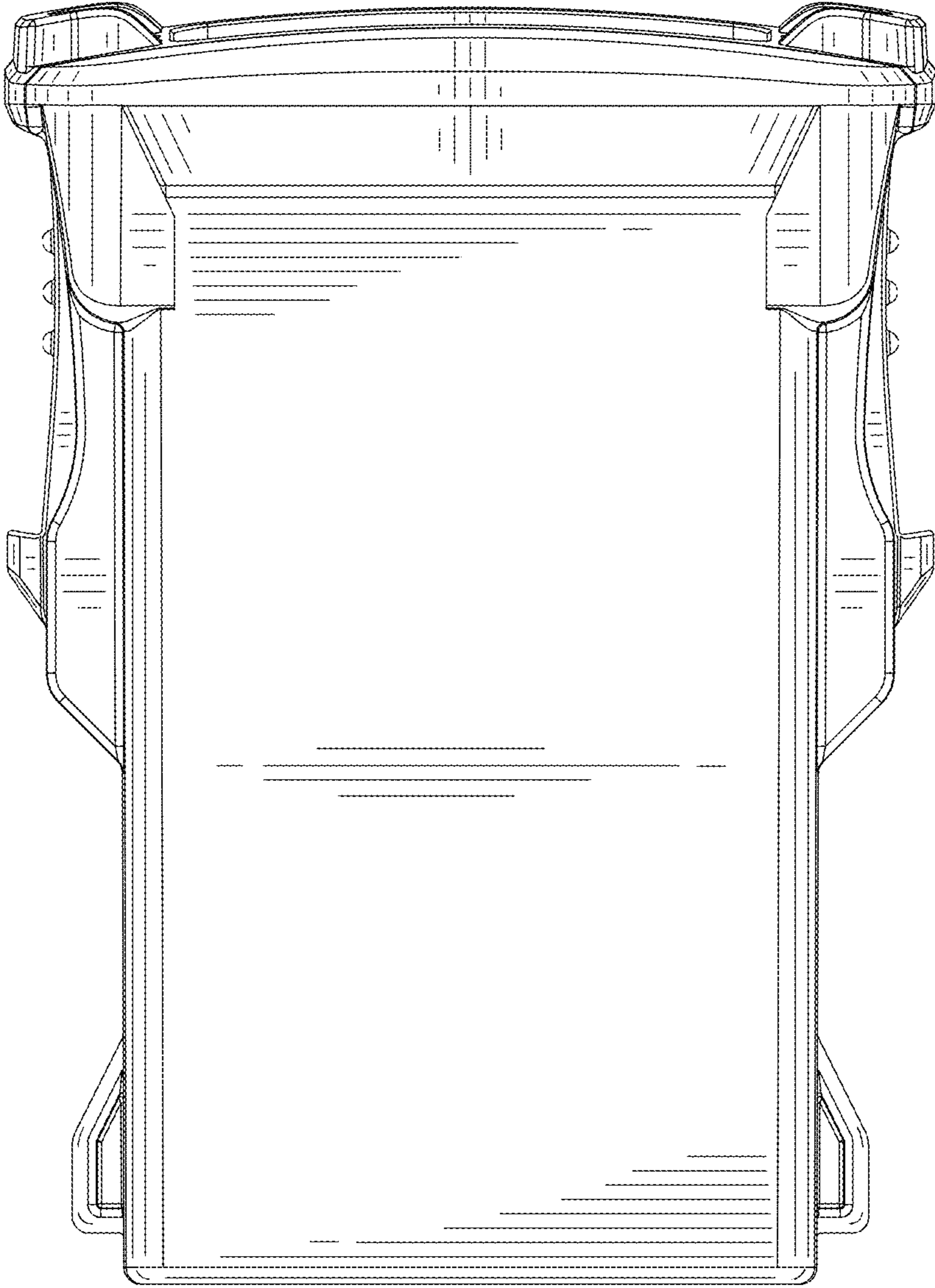


FIG. 3

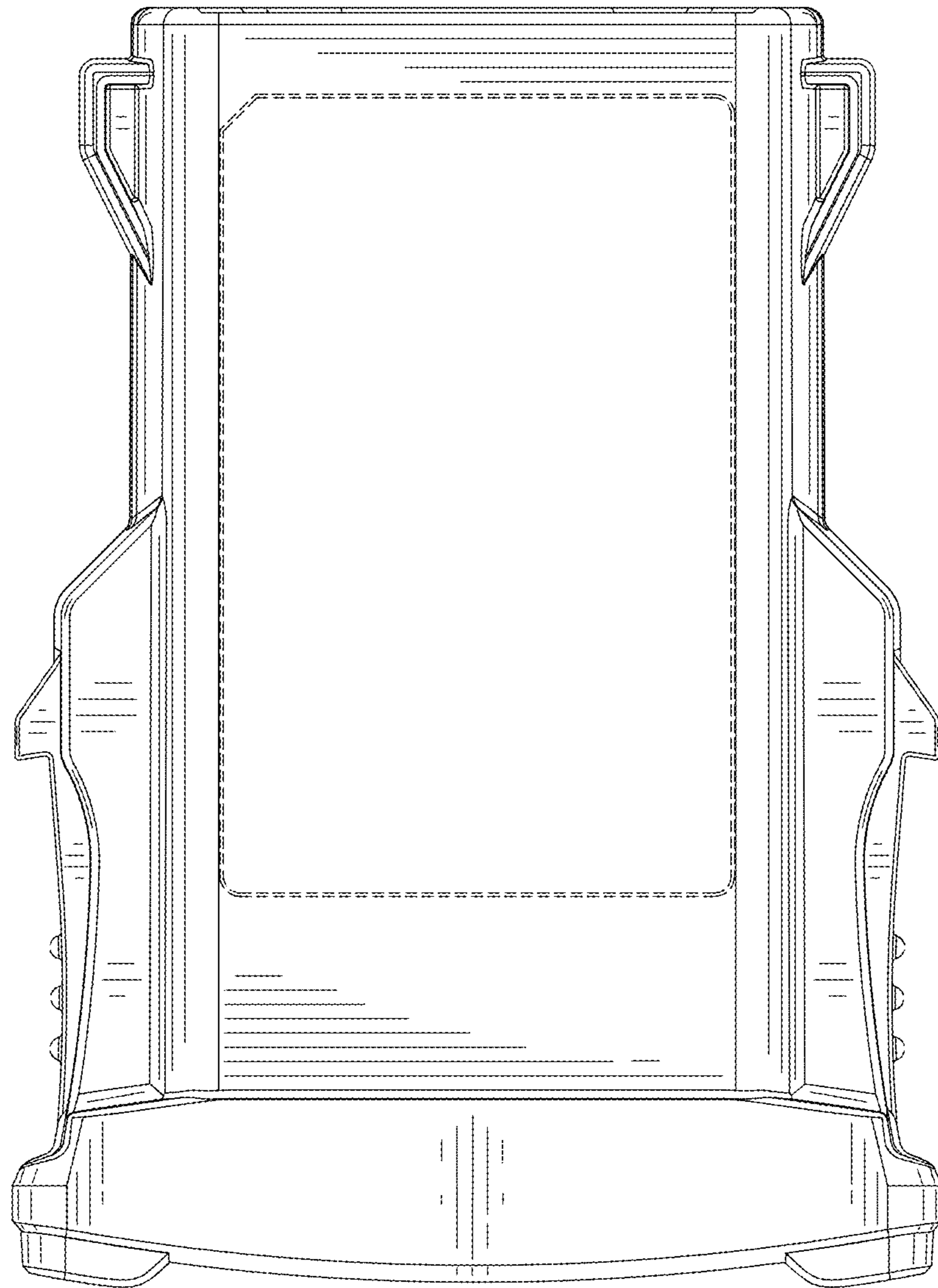


FIG. 4

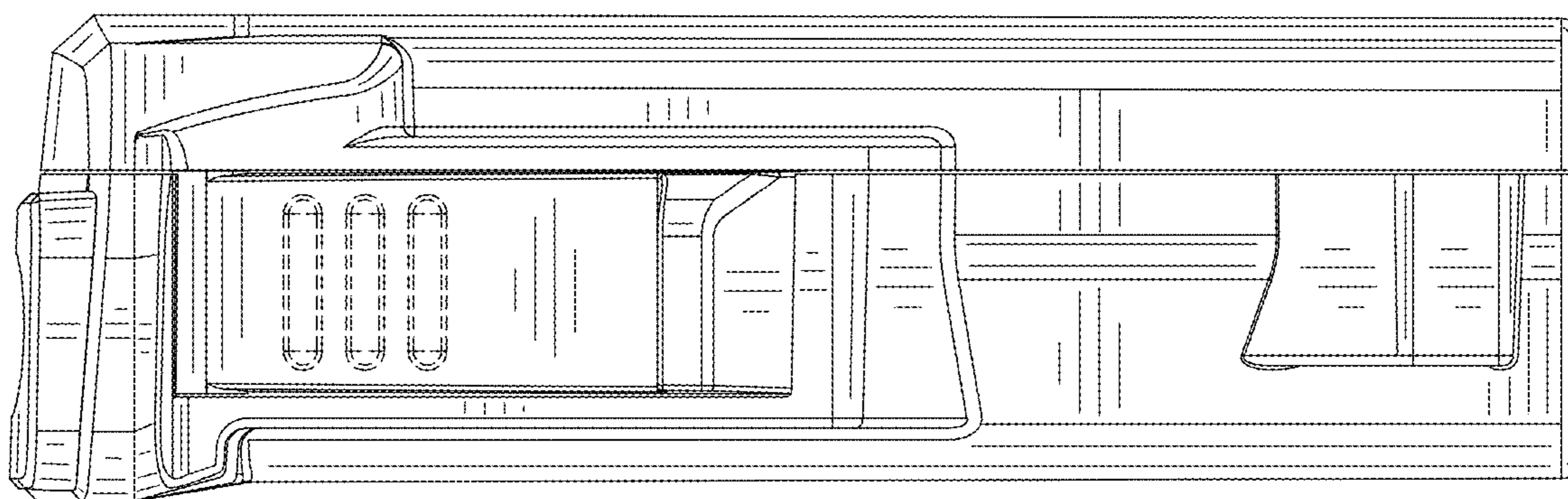


FIG. 5

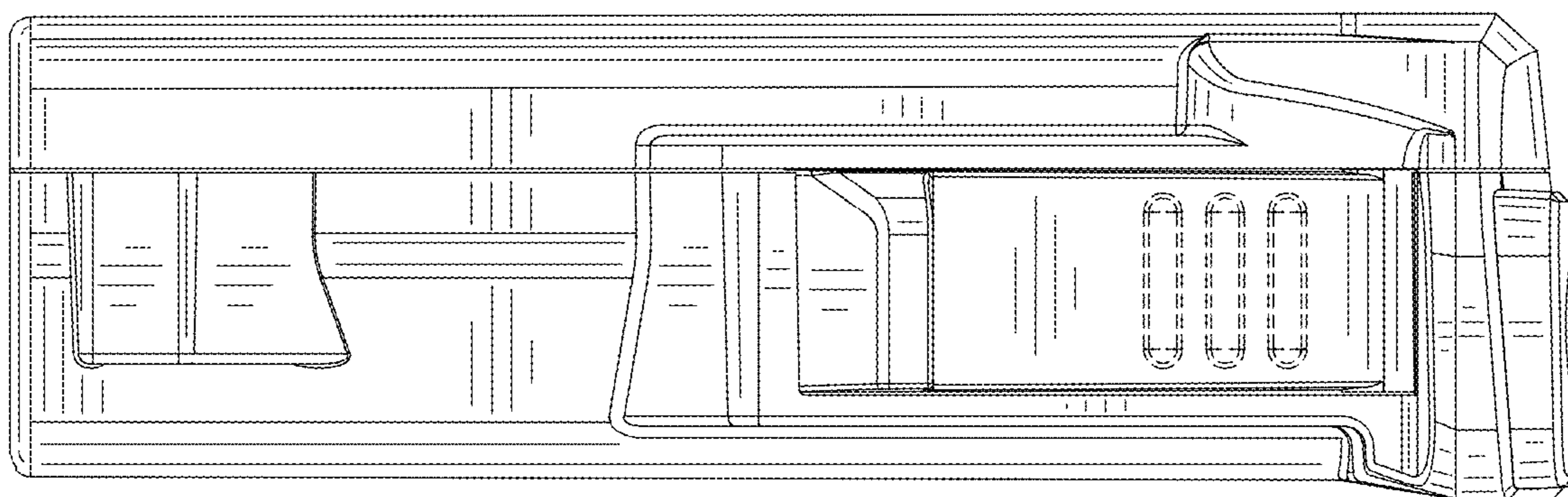


FIG. 6

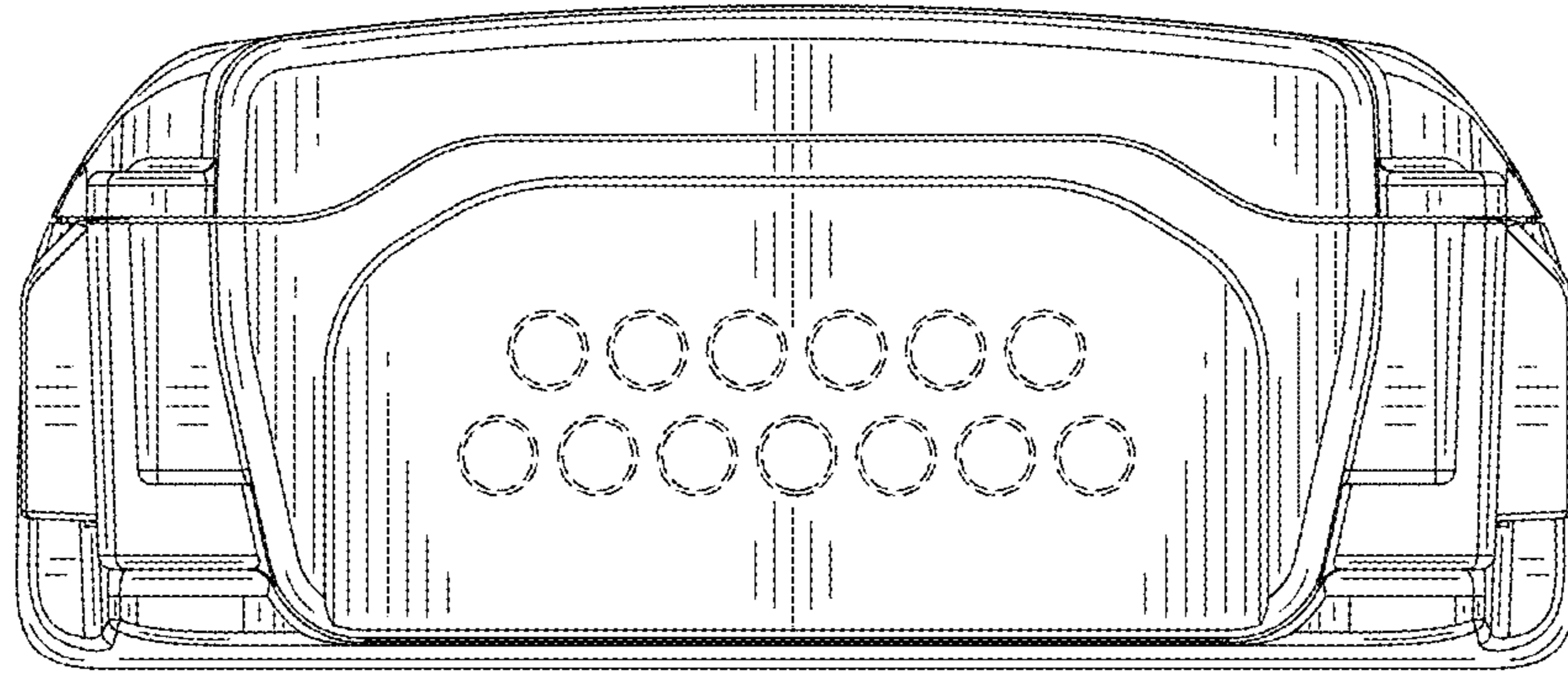


FIG. 7

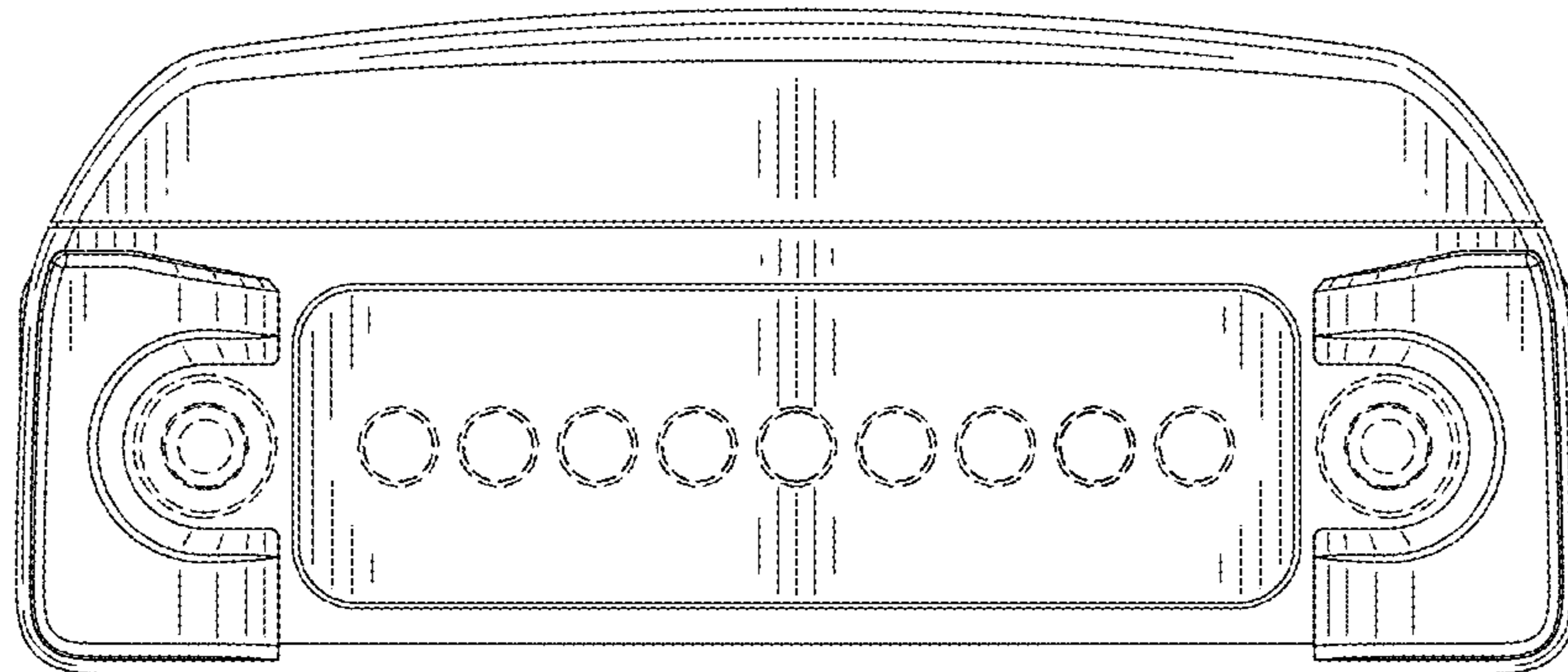


FIG. 8