



US00D900020S

(12) **United States Design Patent**
Hershberger

(10) **Patent No.:** **US D900,020 S**

(45) **Date of Patent:** **** Oct. 27, 2020**

(54) **BATTERY**

(71) Applicant: **Stryker Corporation**, Kalamazoo, MI (US)

(72) Inventor: **David Hershberger**, Kalamazoo, MI (US)

(73) Assignee: **Stryker Corporation**, Kalamazoo, MI (US)

(**) Term: **15 Years**

(21) Appl. No.: **29/663,122**

(22) Filed: **Sep. 12, 2018**

Related U.S. Application Data

(63) Continuation-in-part of application No. 29/653,676, filed on Jun. 18, 2018.

(51) **LOC (12) Cl.** **13-02**

(52) **U.S. Cl.**
USPC **D13/103**

(58) **Field of Classification Search**
USPC D13/102-106, 110, 118-119, 184
CPC Y02E 60/12; Y02E 60/122; Y02E 60/124;
Y02E 60/50; H01M 2/02; H01M 2/022;
H01M 2/0202; H01M 2/0207; H01M 2/0212;
H01M 2/1061; H01M 2/1022; H01M 2/1055;
H01M 2/1066; H01M 2/105; H01M 2/204; H01M 2/1016;
H01M 2200/00; H01M 10/4257; H01M 10/0436;
H01M 10/48; H01M 10/42
See application file for complete search history.

(56) **References Cited**

U.S. PATENT DOCUMENTS

5,418,087 A * 5/1995 Klein H01M 2/0232
429/101
D364,375 S * 11/1995 Sakashita D13/112

6,126,670 A 10/2000 Walker et al.
D439,878 S * 4/2001 Ark D13/103
6,553,642 B2 4/2003 Driessen
D476,617 S * 7/2003 Kasahara D13/103
D477,276 S * 7/2003 Katsumoto D13/103
6,840,335 B1 1/2005 Wu
6,887,244 B1 5/2005 Walker et al.
7,121,362 B2 10/2006 Hsu et al.
7,186,117 B2 3/2007 Chen
7,205,745 B2 4/2007 Murashige et al.
7,429,430 B2 9/2008 Mooty et al.

(Continued)

FOREIGN PATENT DOCUMENTS

WO 2017155821 A1 9/2017
WO 2019153349 A1 8/2019

OTHER PUBLICATIONS

Stryker Corporation, "System 8 power tools: A family of power tools built for the whole hospital", copyright 2017; 5 pages.

(Continued)

Primary Examiner — Nathaniel D. Buckner
(74) *Attorney, Agent, or Firm* — Howard & Howard Attorneys PLLC

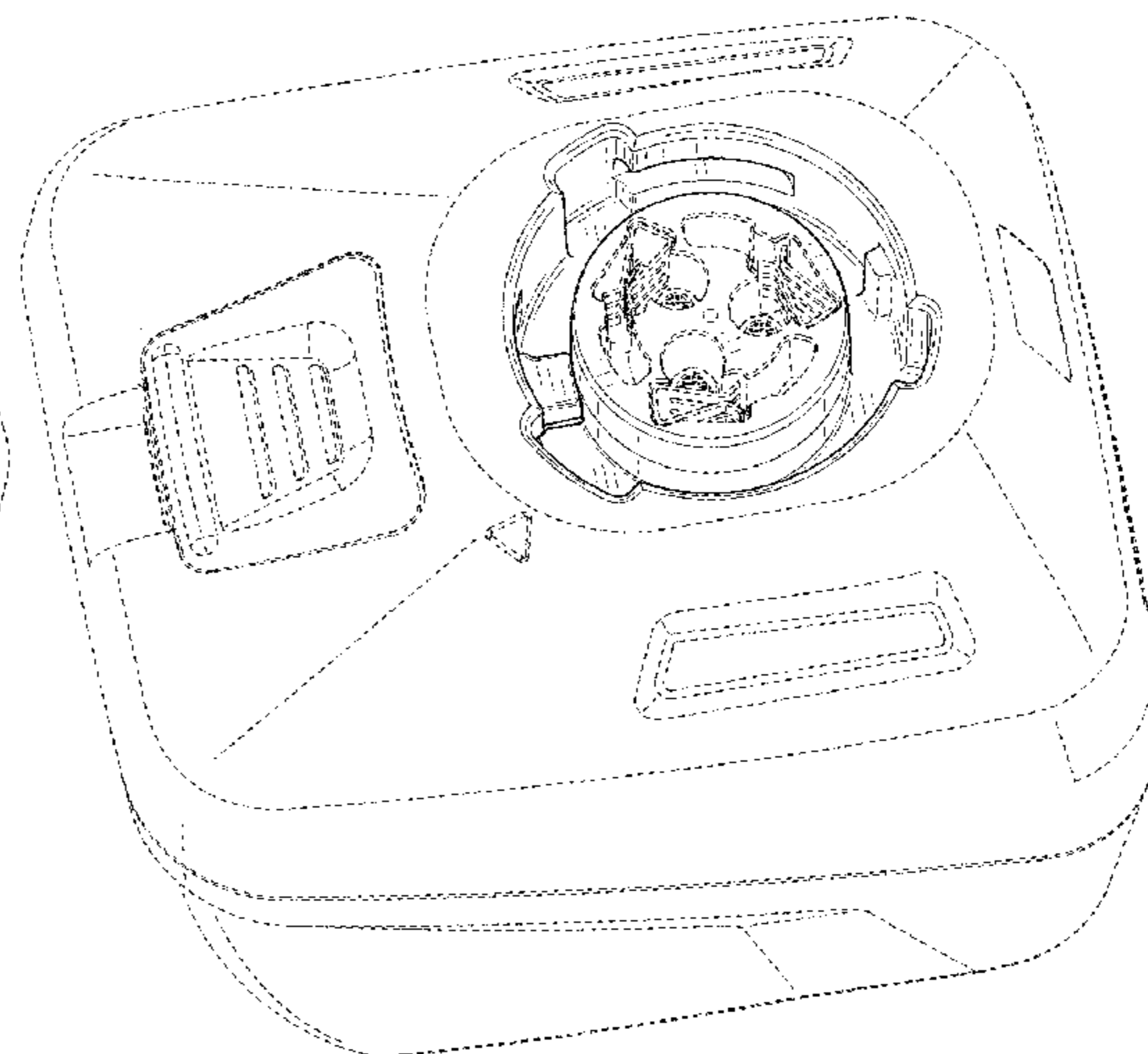
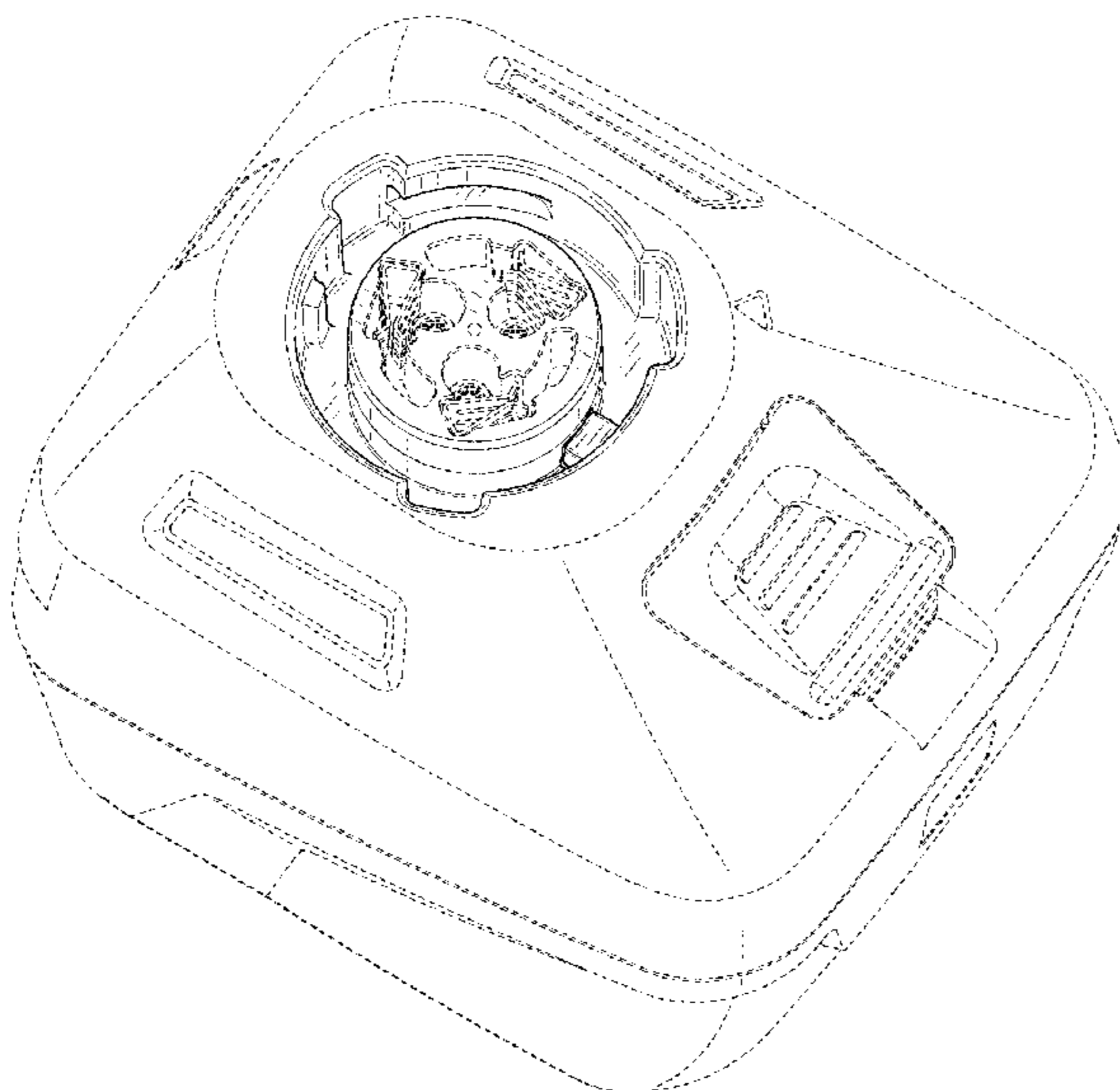
(57) **CLAIM**

The ornamental design for a battery, as shown and described.

DESCRIPTION

FIG. 1 is a top, front, left perspective view of a battery showing my new design;
FIG. 2 is a top, rear, left perspective view thereof;
FIG. 3 is a top plan view thereof;
FIG. 4 is a top, front perspective view thereof;
FIG. 5 is a top, front, left perspective view thereof; and,
FIG. 6 is a top, left perspective view thereof.
In the drawings, the broken lines depict portions of the battery that do not form part of the claimed design.

1 Claim, 6 Drawing Sheets



(56)

References Cited

U.S. PATENT DOCUMENTS

7,619,387	B2	11/2009	Amend et al.	
D619,092	S *	7/2010	Eilertsen	D13/120
D619,093	S *	7/2010	Eilertsen	D13/120
D633,034	S *	2/2011	Heine	D13/103
D642,057	S *	7/2011	Reed	D9/453
D693,765	S *	11/2013	Workman	D13/110
8,822,067	B2	9/2014	Johnson et al.	
8,878,490	B2	11/2014	LaSota et al.	
8,974,932	B2	3/2015	McGahan et al.	
9,427,505	B2 *	8/2016	Askem	A61M 1/0072
9,461,281	B2	10/2016	Wackwitz et al.	
9,819,051	B2	11/2017	Johnson et al.	
9,872,696	B2	1/2018	Smith et al.	
9,884,416	B2	2/2018	Chellew et al.	
10,224,566	B2	3/2019	Johnson et al.	
10,276,844	B2	4/2019	Wackwitz et al.	
D851,584	S *	6/2019	Luke	D13/103
10,511,008	B2	12/2019	Brush et al.	
2012/0244399	A1 *	9/2012	Tartaglia	H01M 2/1022 429/82
2018/0205051	A1	7/2018	Sakai et al.	
2019/0027720	A1	1/2019	Rejman et al.	

OTHER PUBLICATIONS

Synthes, "Power Drive, Battery-driven power tool system for orthopaedics and traumatology." User's Manual, copyright 2000; 29 pages.

* cited by examiner

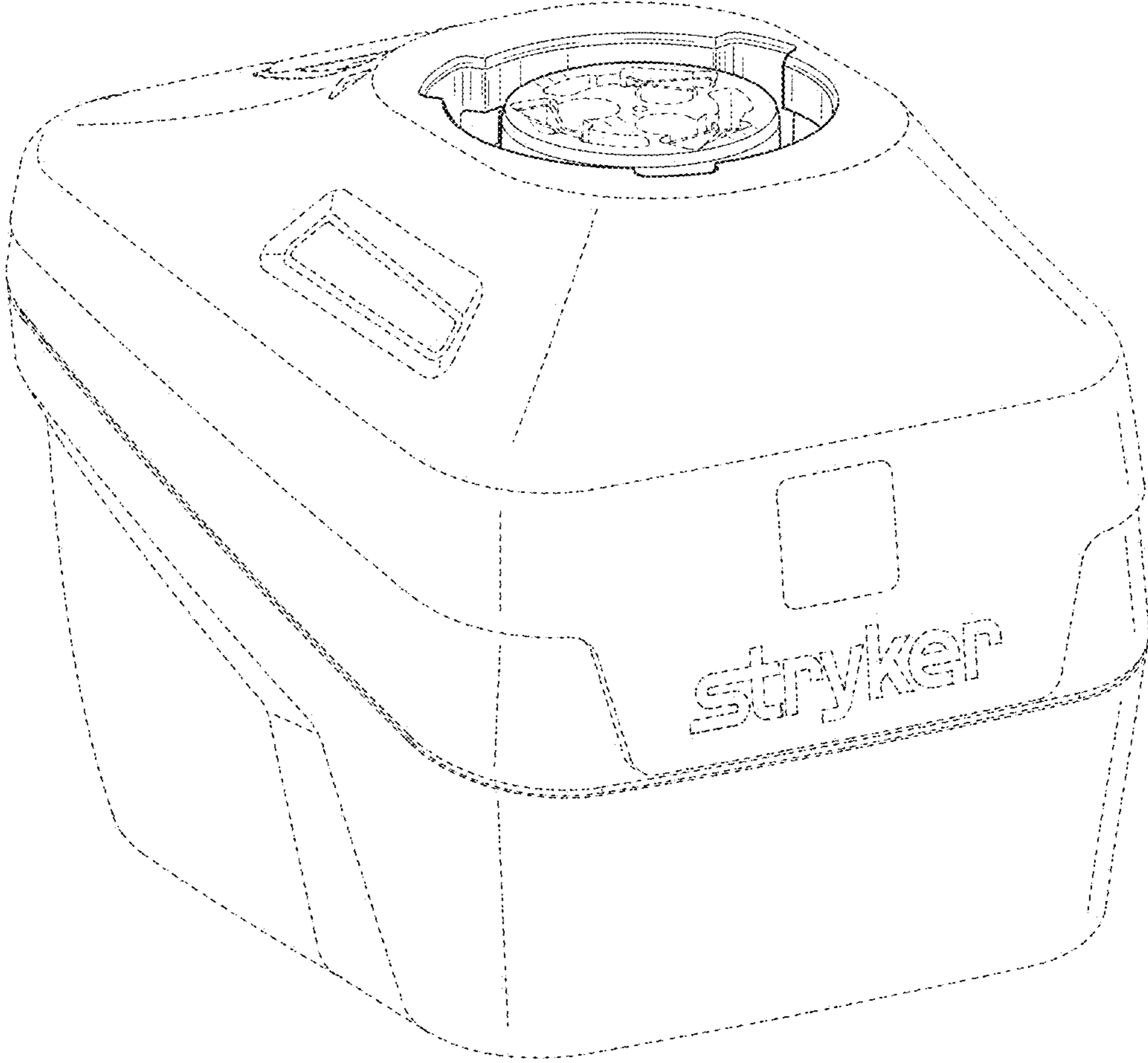


FIG. 1

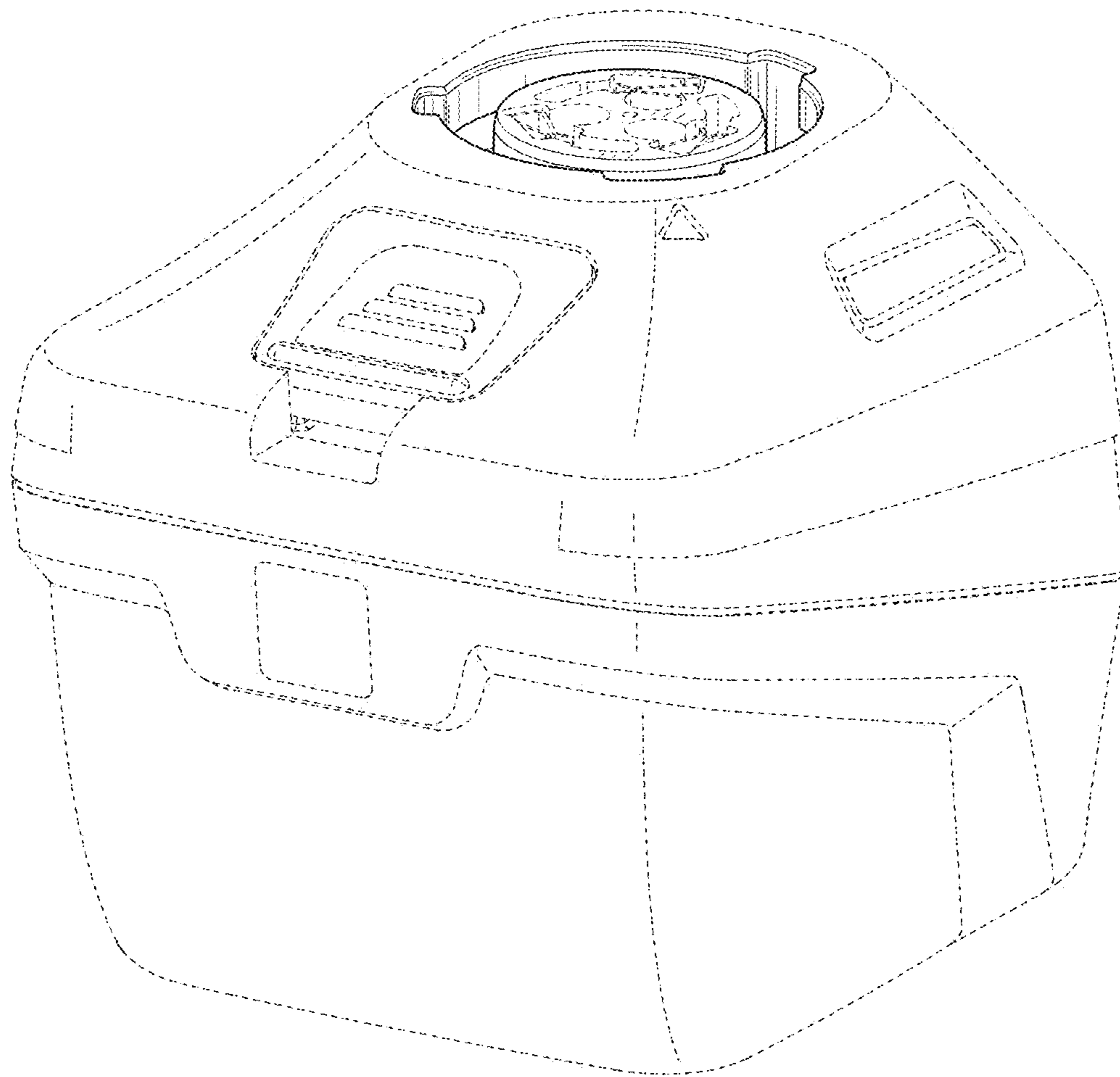


FIG. 2

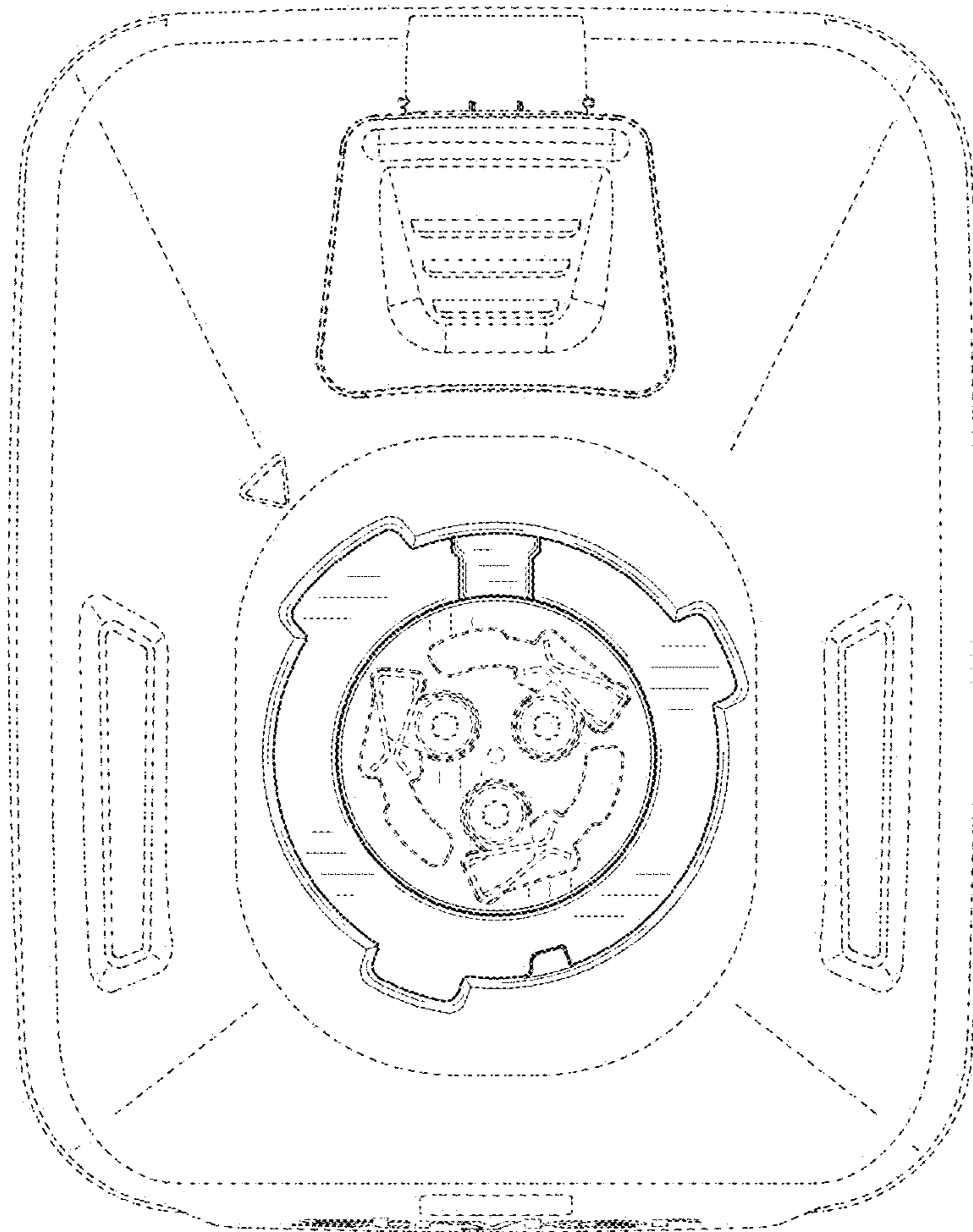


FIG. 3

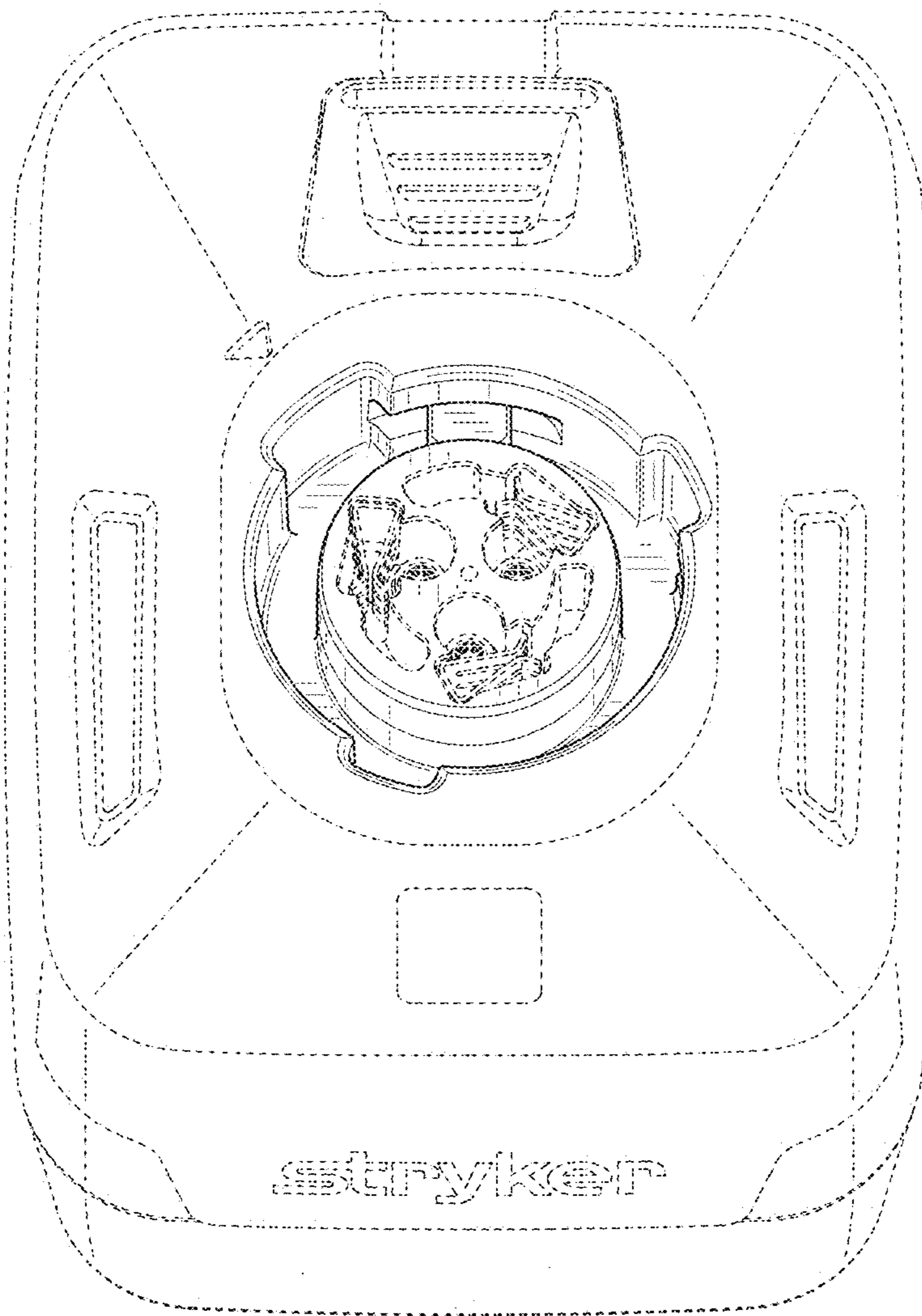


FIG. 4

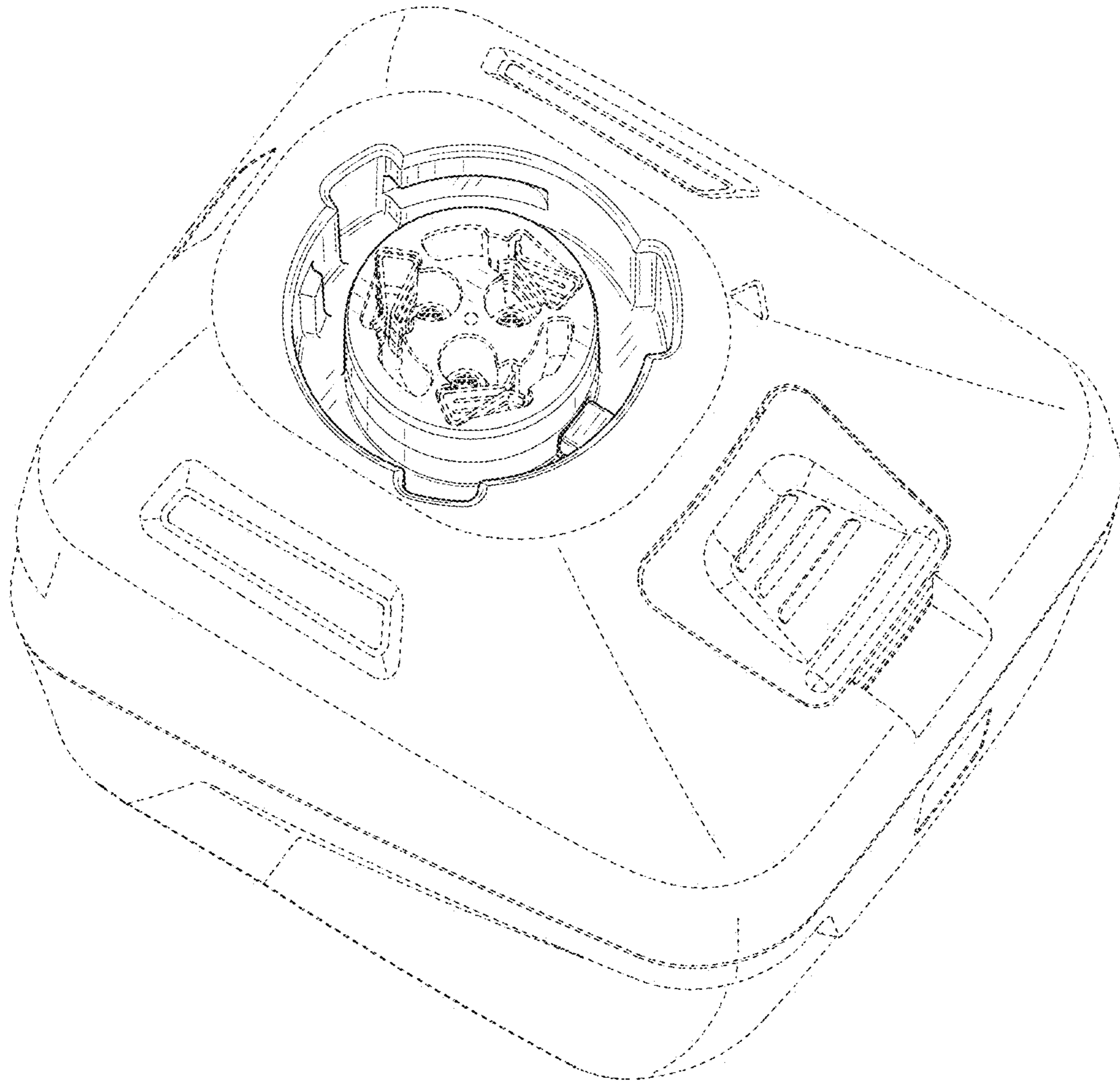


FIG. 5

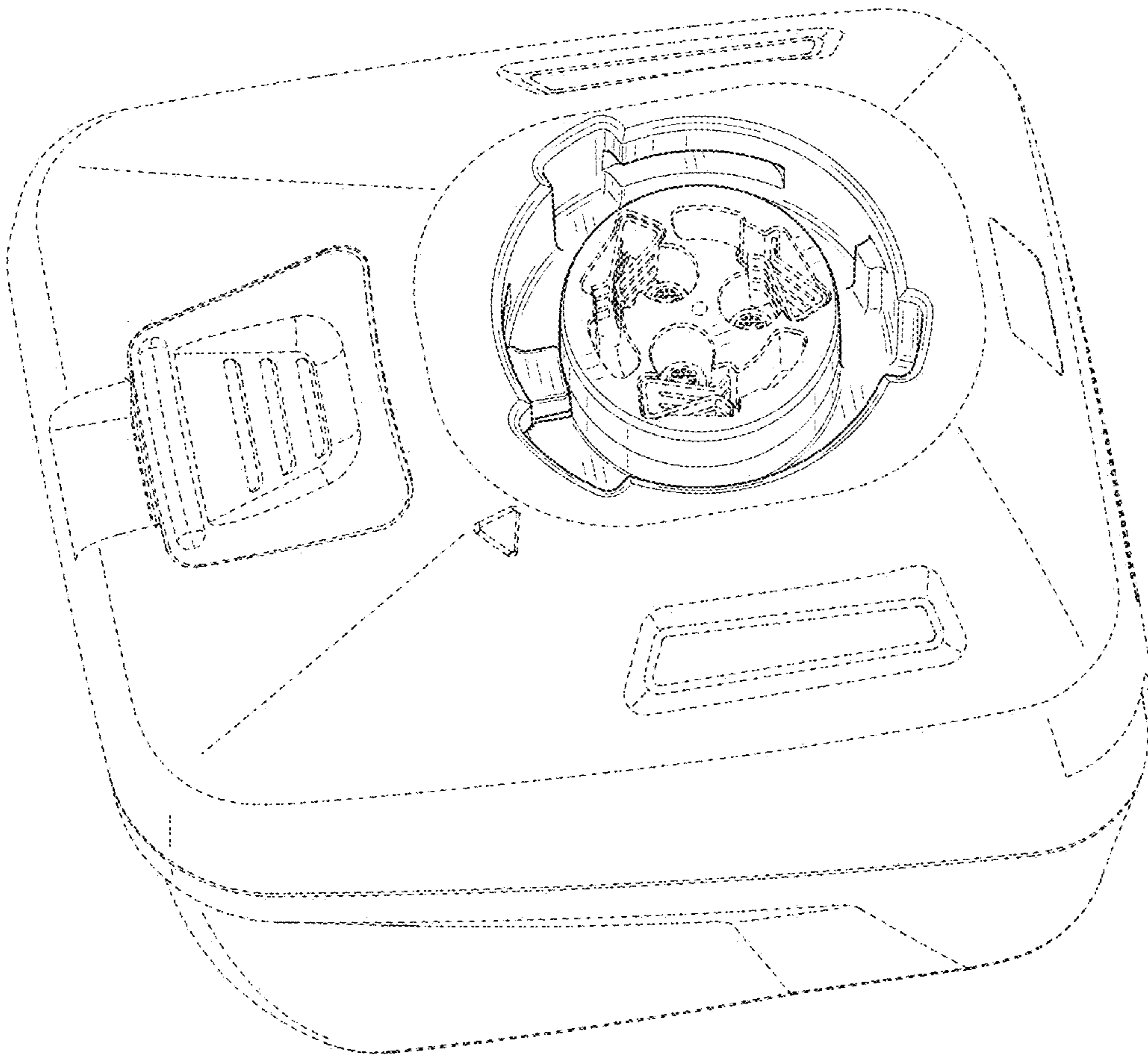


FIG. 6