



US00D900018S

(12) **United States Design Patent**
Lu et al.

(10) **Patent No.:** **US D900,018 S**

(45) **Date of Patent:** **** Oct. 27, 2020**

- (54) **PORTABLE SOLAR CHARGE**
- (71) Applicant: **SHENZHEN SUNGOLD SOLAR CO., LTD.**, Shen Zhen (CN)
- (72) Inventors: **Weiwen Lu**, Shen Zhen (CN); **Huabo Liu**, Dawu County (CN); **Xiufeng Guo**, Fuquan (CN); **Huasheng Xu**, Shangrao (CN)
- (73) Assignee: **SHENZHEN SUNGOLD SOLAR CO., LTD.**, Shen Zhen (CN)

6,650,085 B2 * 11/2003 Lau H02S 10/40
 320/101
 D489,680 S * 5/2004 Stobart D13/102
 D514,913 S * 2/2006 Dunn D8/71
 D670,645 S * 11/2012 Qian D13/102
 D674,801 S * 1/2013 Wharram D14/440
 D684,112 S * 6/2013 Fallon D13/102
 D729,156 S * 5/2015 Nook D13/102
 D754,598 S * 4/2016 Munshi D13/102
 D817,265 S * 5/2018 Liu D13/102
 D827,564 S * 9/2018 Zhang D13/102
 D830,296 S * 10/2018 Liu D13/102

* cited by examiner

(**) Term: **15 Years**

Primary Examiner — Derrick E Holland

(21) Appl. No.: **29/687,161**

(74) *Attorney, Agent, or Firm* — WPAT, PC

(22) Filed: **Apr. 11, 2019**

(51) **LOC (12) Cl.** **13-02**

(52) **U.S. Cl.**
USPC **D13/102**

(58) **Field of Classification Search**
 USPC D13/102, 101, 103, 107, 108, 199;
 126/569, 624, 704, 710, 711;
 136/243-265; 320/101, 116, 120
 CPC H01L 31/00; H01L 31/042; H01L 31/045;
 H01L 31/048; H01L 31/052; H01L
 31/0475; H01L 31/0485; H01M 10/052;
 H01M 10/465; H02S 30/10; H02S 30/20;
 H02S 10/40; H02S 40/42; Y02E 10/50;
 Y02E 10/52; Y10S 136/291; Y10S
 136/293; H02J 7/355; G06F 1/1628
 See application file for complete search history.

(56) **References Cited**

U.S. PATENT DOCUMENTS

5,522,943 A * 6/1996 Spencer H01L 31/042
 136/245
 D479,191 S * 9/2003 Peress D13/102

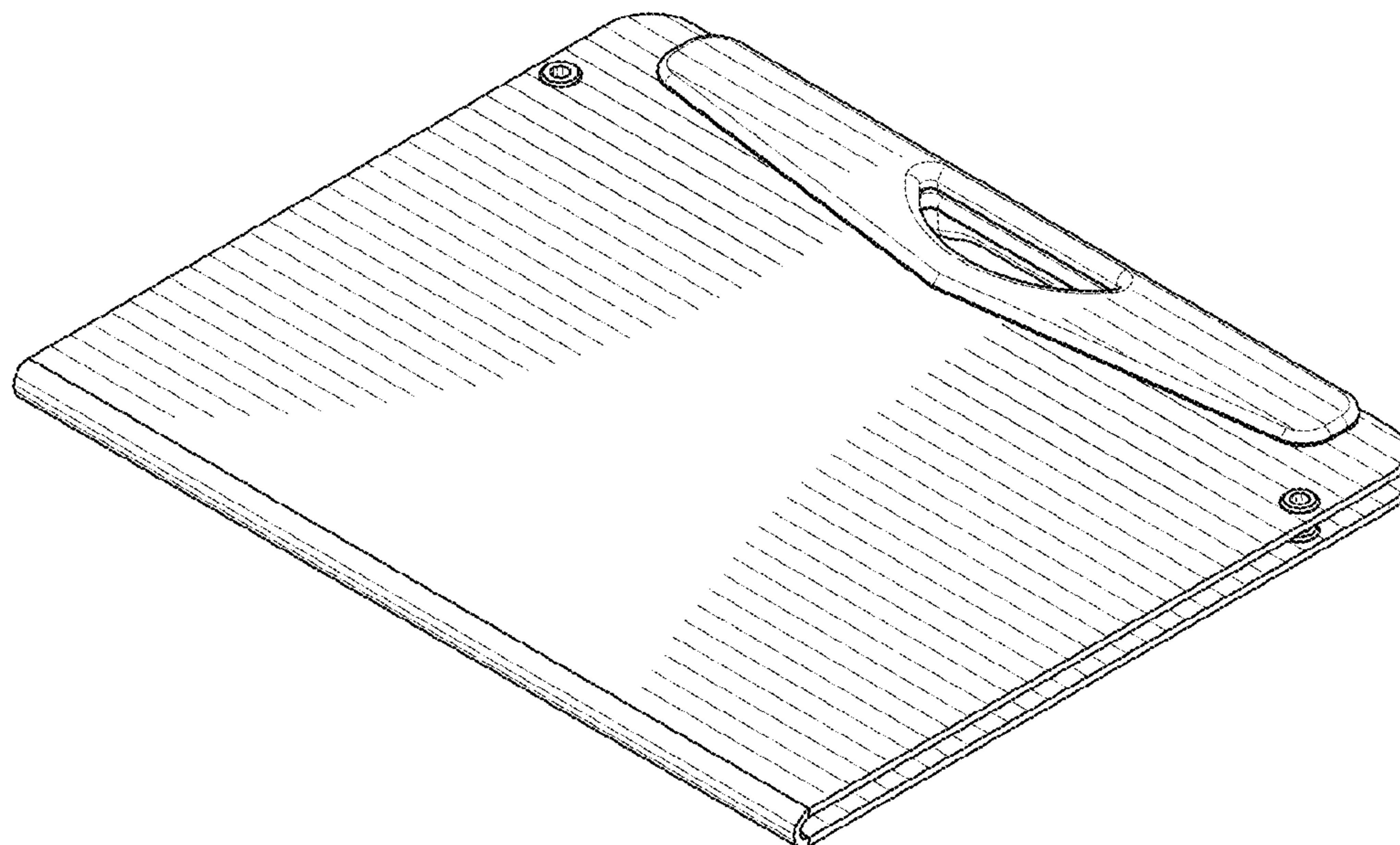
(57) **CLAIM**

The ornamental design for a portable solar charge, as shown and described.

DESCRIPTION

FIG. 1 is a perspective view of a portable solar charge, showing the new design;
 FIG. 2 is a front view thereof;
 FIG. 3 is a rear view thereof;
 FIG. 4 is a left-side view thereof;
 FIG. 5 is a right-side view thereof;
 FIG. 6 is a top view thereof;
 FIG. 7 is a bottom view thereof; and,
 FIG. 8 is a perspective view thereof in an opened configuration.

1 Claim, 6 Drawing Sheets



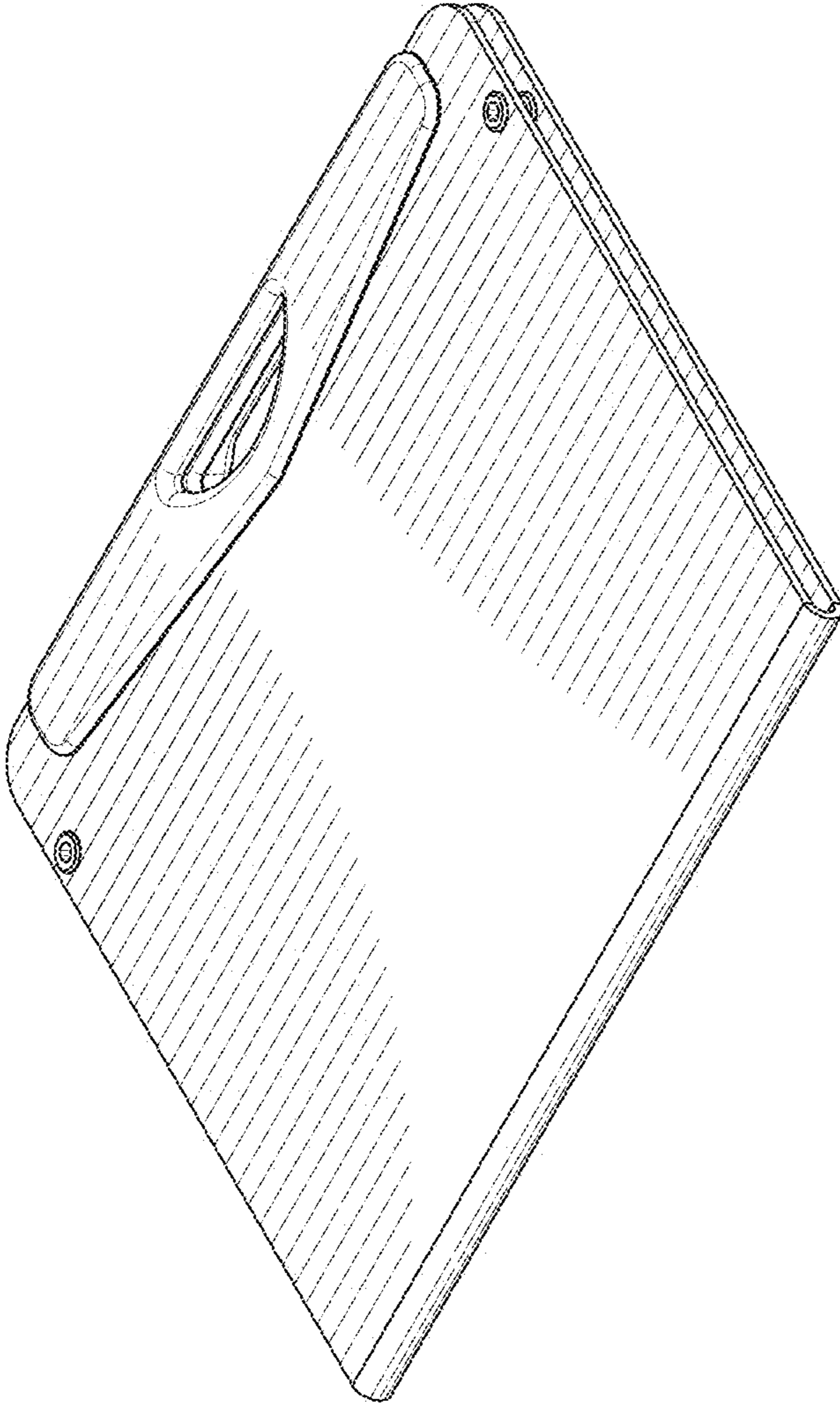


FIG. 1



FIG. 2

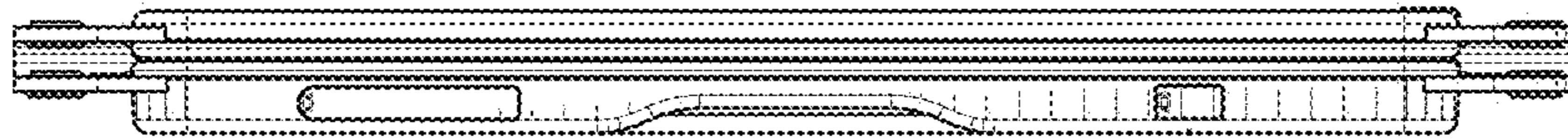


FIG. 3

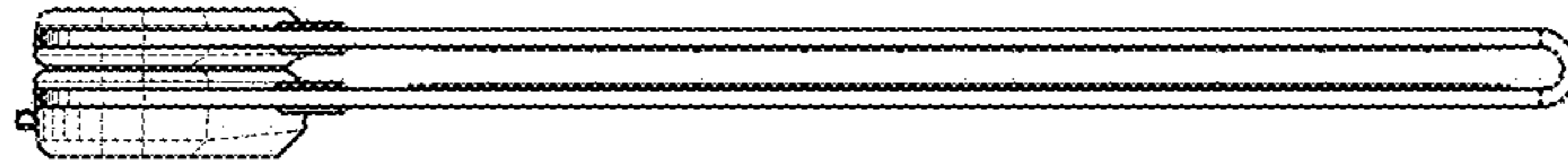


FIG. 4

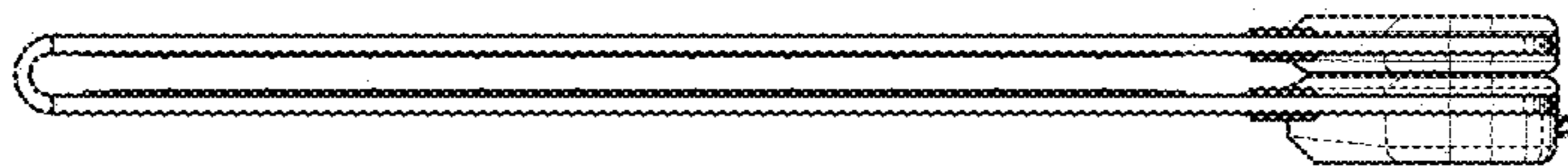


FIG. 5

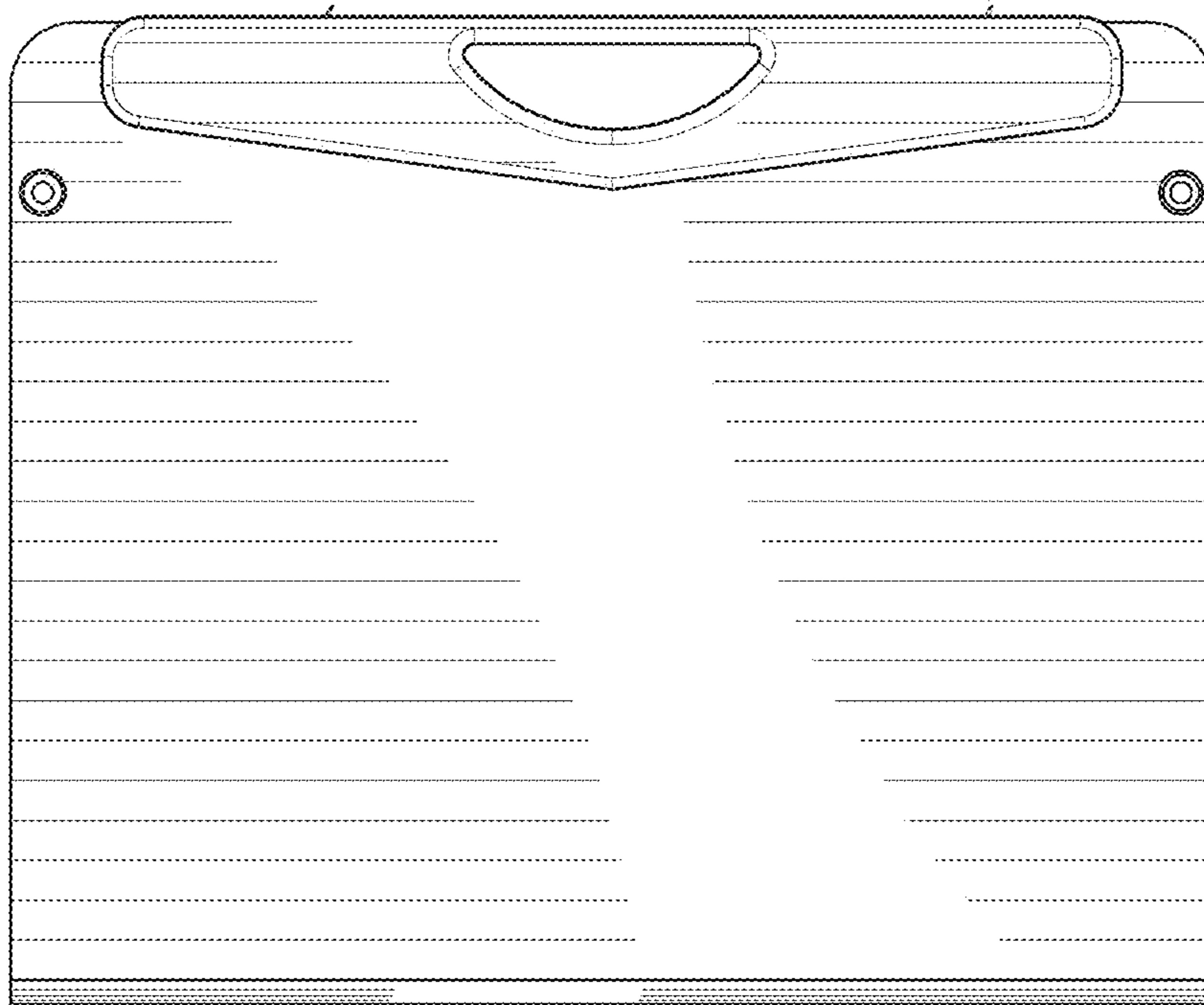


FIG. 6

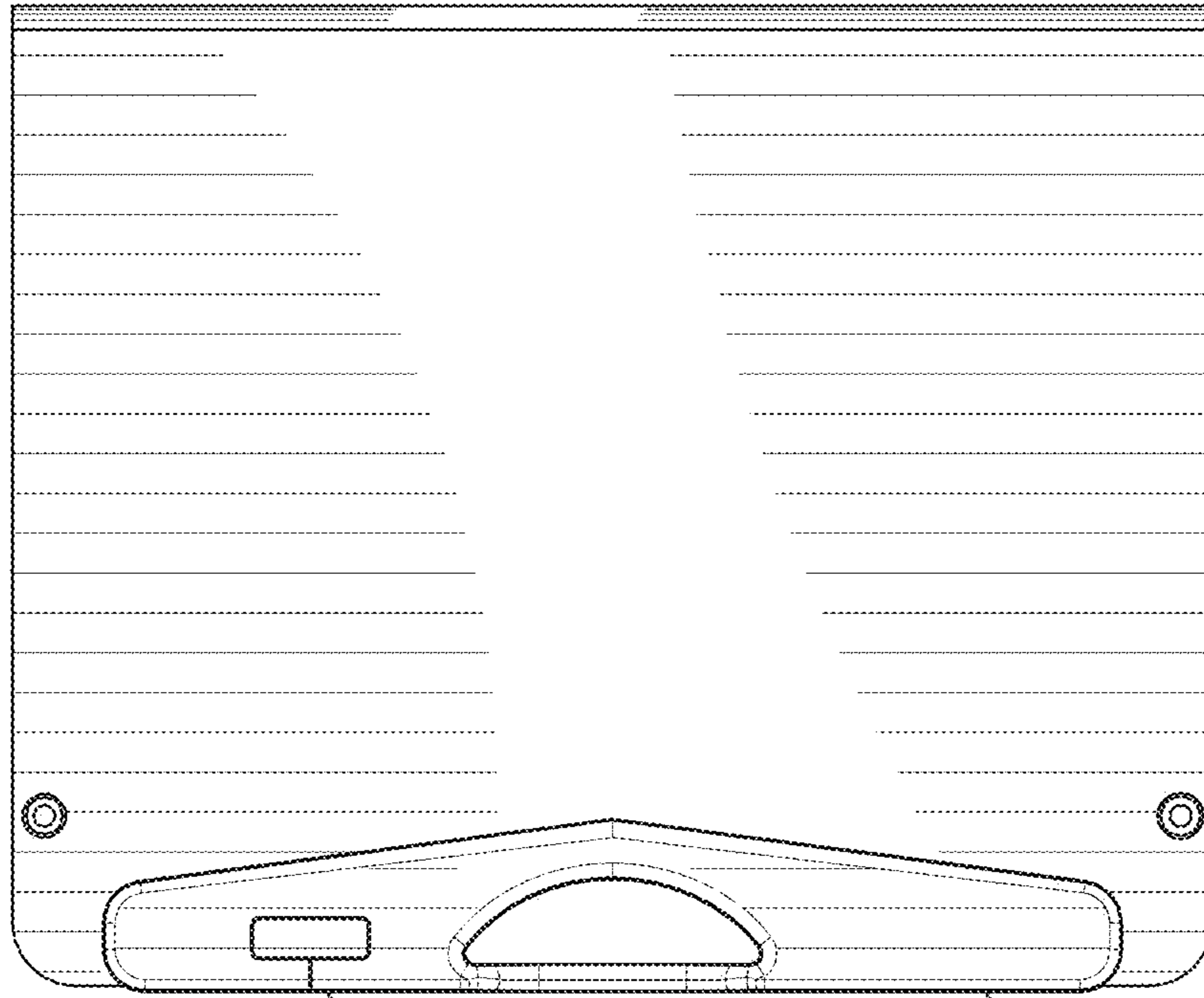


FIG. 7

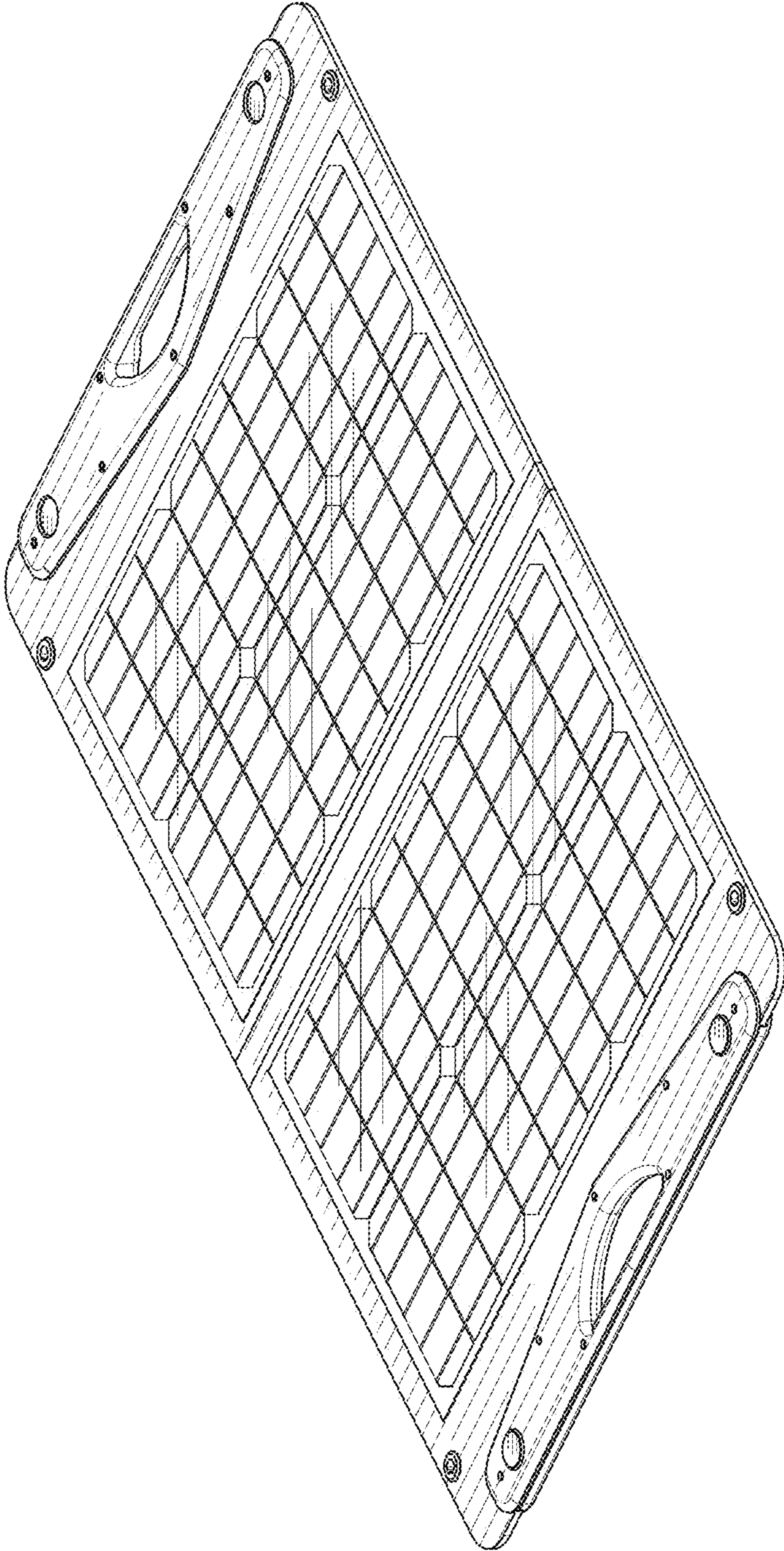


FIG. 8