



US00D900017S

(12) **United States Design Patent** (10) **Patent No.:** **US D900,017 S**
Aiken et al. (45) **Date of Patent:** **** Oct. 27, 2020**

(54) **SOLAR CELL ARRAY**

(56) **References Cited**

(71) Applicant: **SolAero Technologies Corp.**,
Albuquerque, NM (US)

(72) Inventors: **Daniel Aiken**, Cedar Crest, NM (US);
Lance Fesler, Albuquerque, NM (US);
Jeffrey Steinfeldt, Rio Rancho, NM
(US); **Daniel Derkacs**, Albuquerque,
NM (US)

U.S. PATENT DOCUMENTS

| | | | | |
|--------------|------|---------|------------------|------------------------|
| 4,313,023 | A * | 1/1982 | Stephens | H01L 31/048 136/246 |
| D469,058 | S * | 1/2003 | Shugar | D13/102 |
| D601,087 | S * | 9/2009 | Feng | D13/102 |
| D778,234 | S * | 2/2017 | Cheung | D13/102 |
| D784,255 | S * | 4/2017 | Steinfeldt | D13/102 |
| D785,560 | S * | 5/2017 | Aiken | D13/102 |
| D832,203 | S * | 10/2018 | Caswell | D13/102 |
| 2010/0282293 | A1 * | 11/2010 | Meyer | H01L 31/048 136/244 |
| 2011/0271999 | A1 * | 11/2011 | Almogly | F24S 70/20 136/246 |
| 2018/0062011 | A1 * | 3/2018 | Crist | H01L 31/044 |

(73) Assignee: **SolAero Technologies Corp.**,
Albuquerque, NM (US)

(**) Term: **15 Years**

* cited by examiner

Primary Examiner — Derrick E Holland

(21) Appl. No.: **29/683,346**

(57) **CLAIM**

(22) Filed: **Mar. 12, 2019**

The ornamental design for a solar cell array, as shown and described.

(51) **LOC (12) Cl.** **13-02**

(52) **U.S. Cl.**
USPC **D13/102**

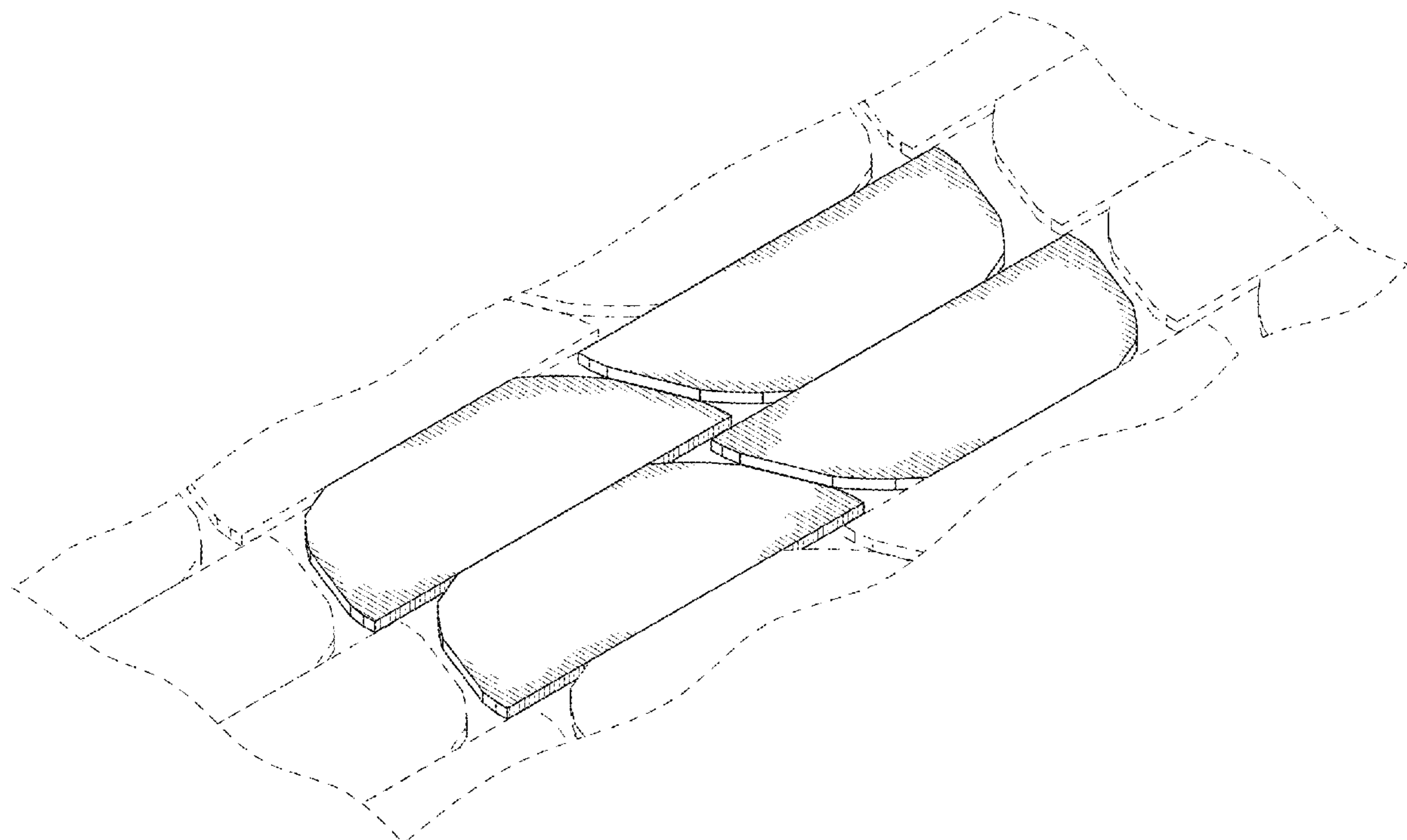
DESCRIPTION

(58) **Field of Classification Search**
USPC D13/102, 101, 184, 199
CPC H01L 31/18; H01L 31/042; H01L 31/048;
H01L 31/052; H01L 31/058; H01L
31/0522; H01L 31/0525; H01L 31/061;
H01L 31/068; Y02E 10/50; Y02E 10/544;
Y10T 29/49208; Y10T 29/49213; F24J
2/04; F24J 2/12; F24J 2/24; F24J 2/38;
F24J 2/46; F24J 2/54; H02S 20/20; H02S
20/30

FIG. 1 is a top perspective view of a solar cell array showing our new design;
FIG. 2 is a top plan view of FIG. 1;
FIG. 3 is a bottom plan view thereof;
FIG. 4 is a rear side elevation view thereof;
FIG. 5 is a front side elevation view thereof;
FIG. 6 is a left side elevation view thereof; and,
FIG. 7 is a right side elevation view thereof.
The broken lines shown represent the portions of the solar cell array that form no part of the claimed design.

See application file for complete search history.

1 Claim, 4 Drawing Sheets



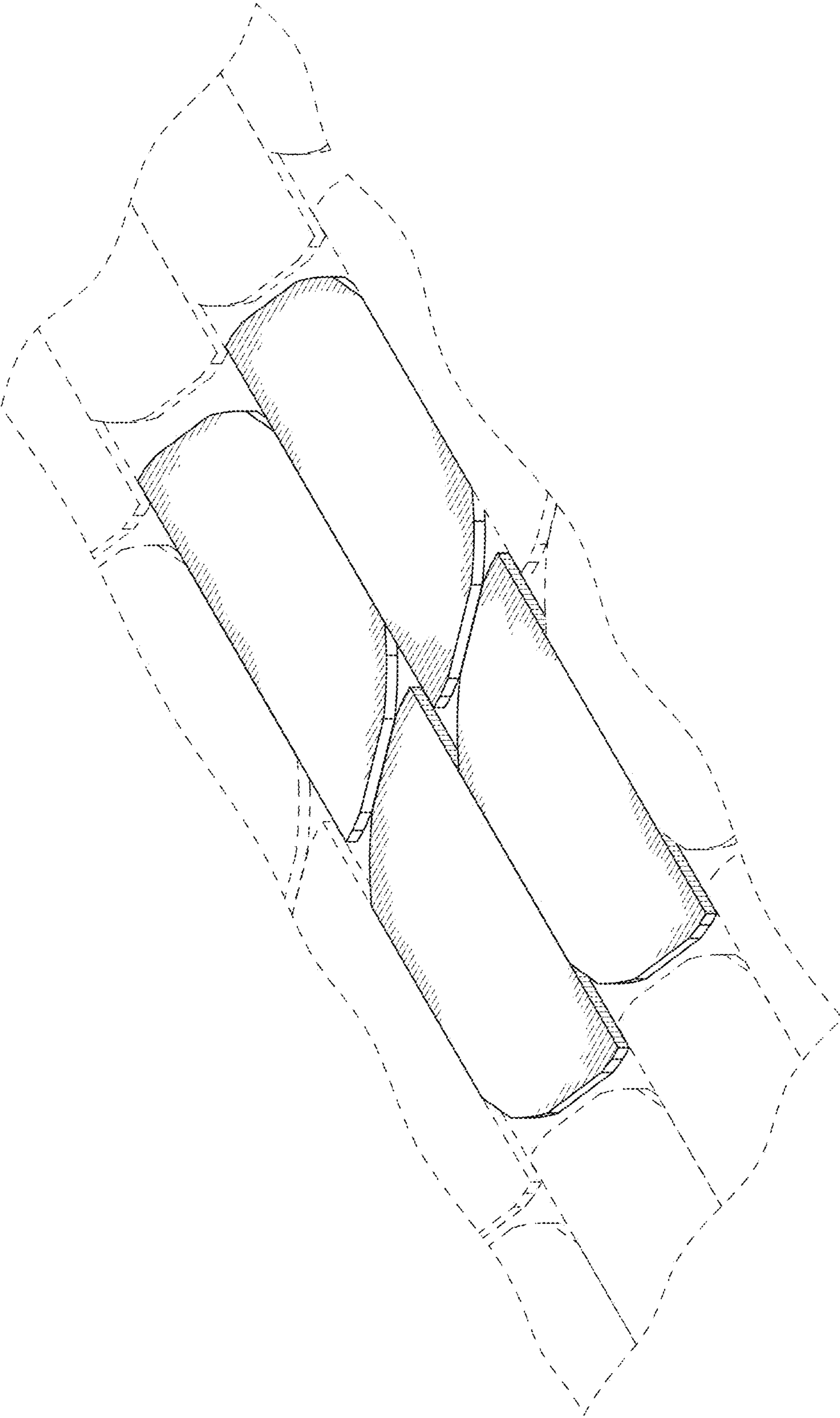


FIG. 1

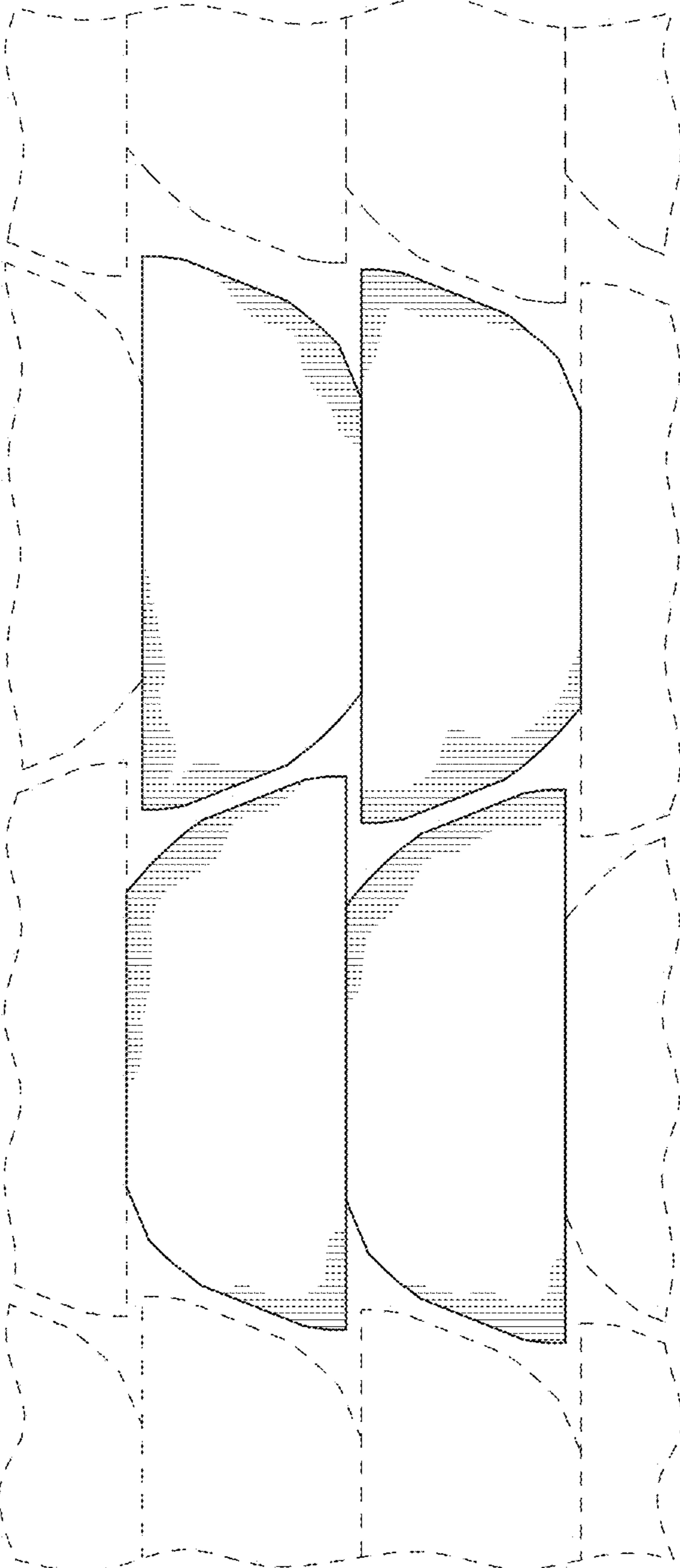


FIG. 2

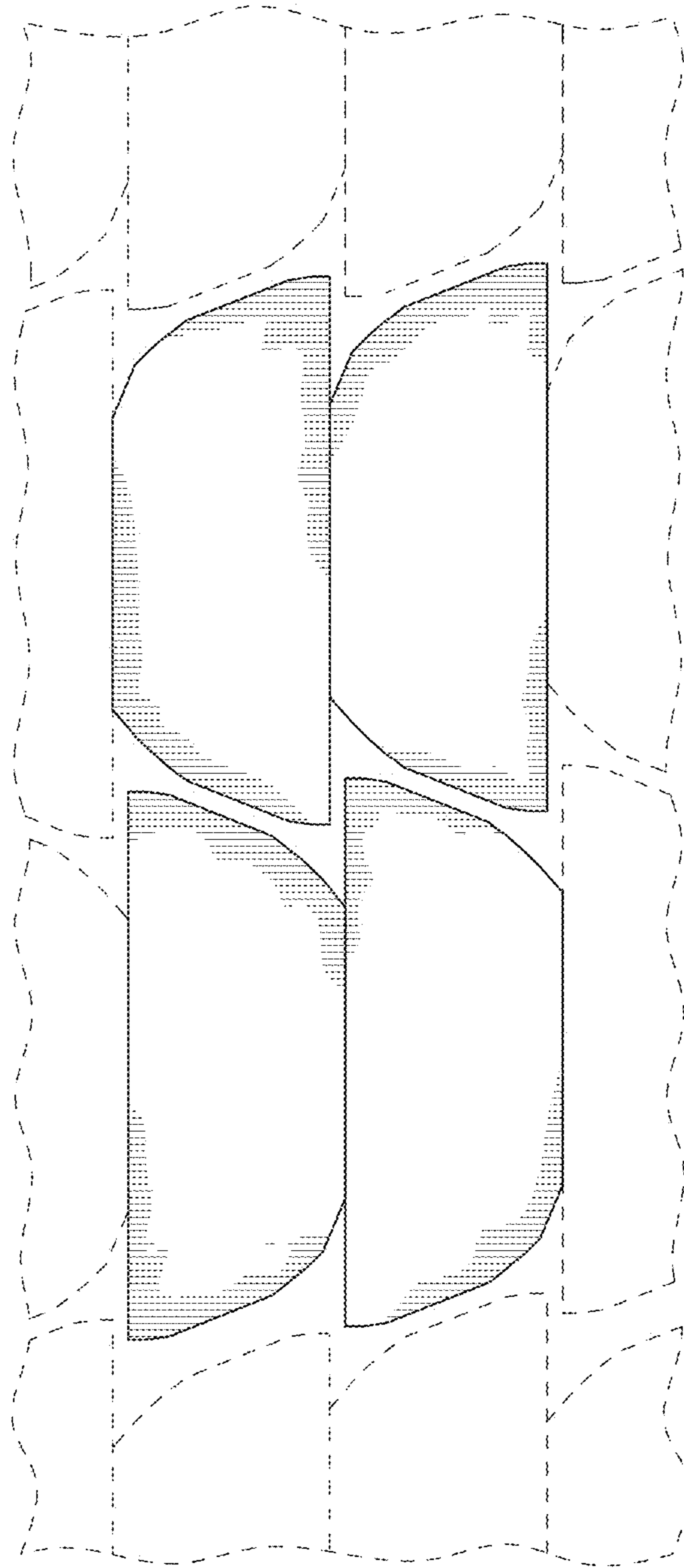


FIG. 3

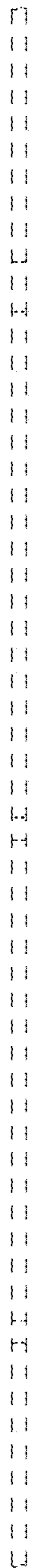


FIG. 4

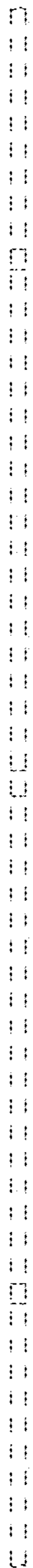


FIG. 5



FIG. 6

FIG. 7