

US00D900012S

(12) **United States Design Patent** (10) **Patent No.:** **US D900,012 S**
Voss (45) **Date of Patent:** **** Oct. 27, 2020**

(54) **TIRE**
(71) Applicant: **Compagnie Generale des Etablissements Michelin, Clermont-Ferrand (FR)**
(72) Inventor: **Stefan Voss, Greer, SC (US)**
(73) Assignee: **Compagnie Generale Des Etablissements Michelin, Clermont-Ferrand (FR)**

Etablissements Michelin; Greenville, South Carolina, USA, copyright 2018, 16 pages.

Primary Examiner — Robert M. Spear
(74) *Attorney, Agent, or Firm* — Neal P. Pierotti

(**) Term: **15 Years**

(21) Appl. No.: **29/686,627**

(22) Filed: **Apr. 5, 2019**

(51) **LOC (12) Cl.** **12-15**

(52) **U.S. Cl.**
USPC **D12/584**

(58) **Field of Classification Search**
USPC D12/572, 582, 583, 584, 585, 590, 596, D12/597, 602, 603
CPC B60C 11/0302; B60C 11/0306; B60C 2011/0313; B60C 2011/0344; B60C 2011/0346
See application file for complete search history.

(56) **References Cited**

U.S. PATENT DOCUMENTS

D390,170 S * 2/1998 Stone D12/590
6,196,288 B1 3/2001 Radulescu
6,488,064 B1 12/2002 Radulescu
D483,320 S * 12/2003 Janajreh D12/584
D658,575 S 5/2012 Flueriau

(Continued)

FOREIGN PATENT DOCUMENTS

WO 2017176280 A1 10/2017

OTHER PUBLICATIONS

MAYNI, Tire Tread and Tire; Design U.S. Appl. No. 29/655,161, filed Jun. 29, 2018; Assignee/Publisher Compagnie Generale Des

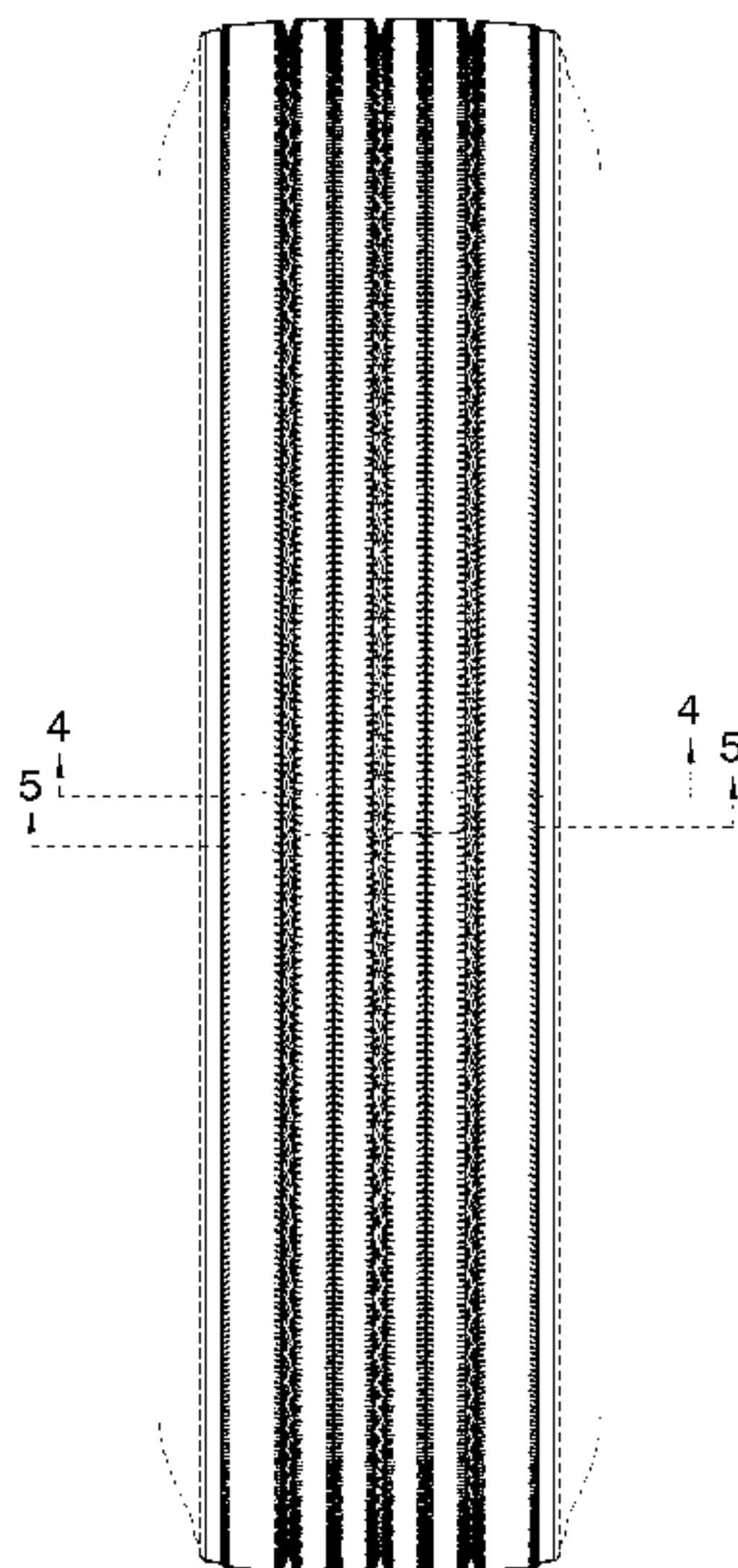
(57) **CLAIM**

The ornamental design for a tire, as shown and described.

DESCRIPTION

FIG. 1 is a perspective view of a tire of our new design, it being understood that the tread is repeated throughout the circumference of the tire, it being understood that the dashed lines show environmental features of the tire.
FIG. 2 is a front view of the embodiment of FIG. 1.
FIG. 3 is a right side view of the embodiment of FIG. 1, the left side view being identical to the right side view.
FIG. 4 is a cross-sectional view taken along line 4-4 of FIG. 2.
FIG. 5 is a cross-sectional view taken along line 5-5 of FIG. 2.
FIG. 6 is a perspective view of a second embodiment of a tire of our new design, it being understood that the tread is repeated throughout the circumference of the tire.
FIG. 7 is a front view of the embodiment of FIG. 6.
FIG. 8 is a right side view of the embodiment of FIG. 6, the left side view being identical to the right side view.
FIG. 9 is a cross-sectional view taken along line 9-9 of FIG. 7.
FIG. 10 is a cross-sectional view taken along line 10-10 of FIG. 7; and,
FIG. 11 is a close up view of a portion of the tread of FIG. 7 that shows some of the tread features in more detail, it being understood that the tread continues on above and below the dashed and dotted lines.
The dashed lines in the drawings denote environmental subject matter and do not form part of the following claim.

1 Claim, 11 Drawing Sheets



(56)

References Cited

U.S. PATENT DOCUMENTS

D669,023 S *	10/2012	Kato	D12/583
D738,812 S *	9/2015	Yamura	D12/584
D767,478 S *	9/2016	Fujioka	D12/583
2018/0244111 A1	8/2018	Zhu	

* cited by examiner

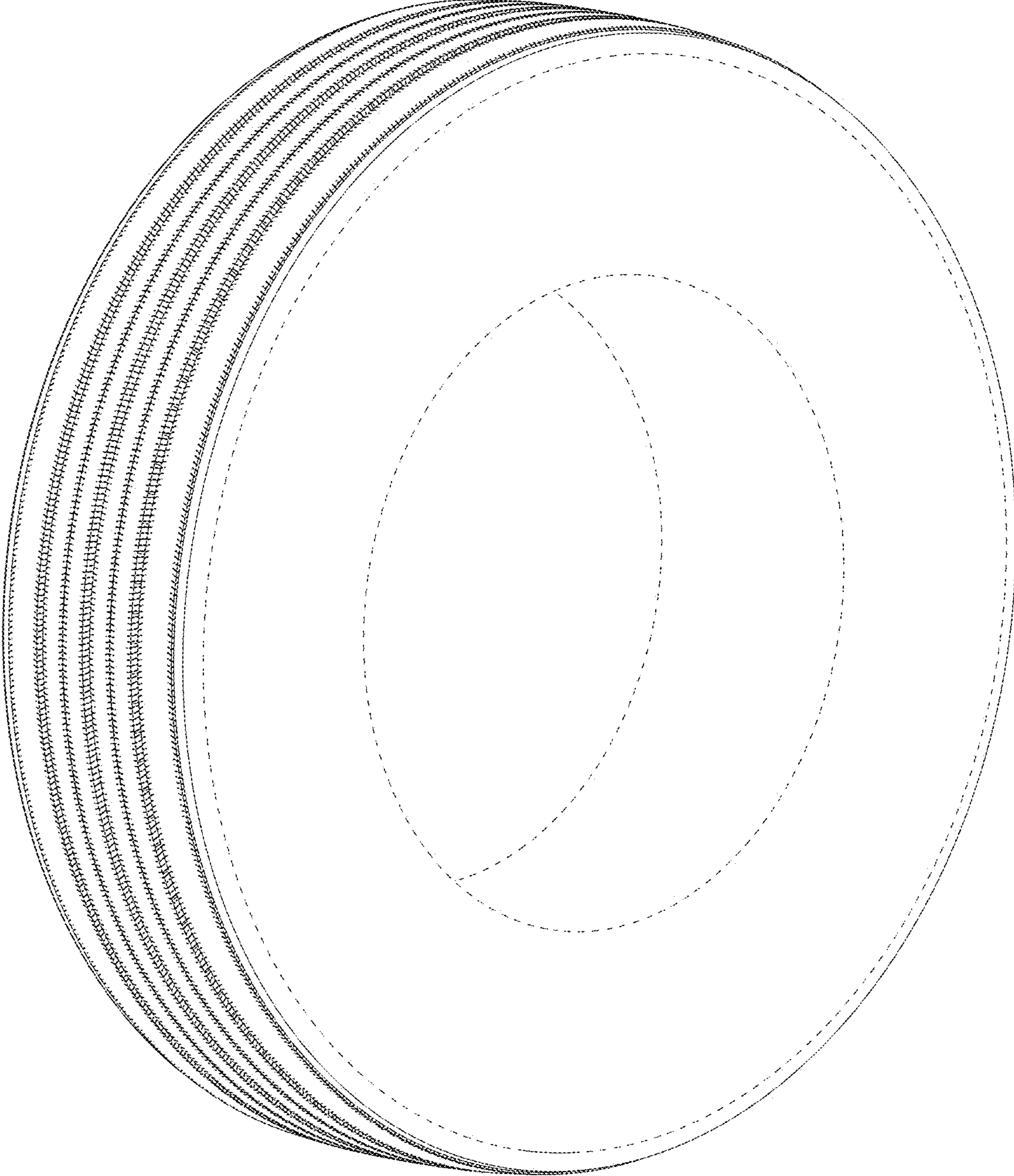


FIG. 1

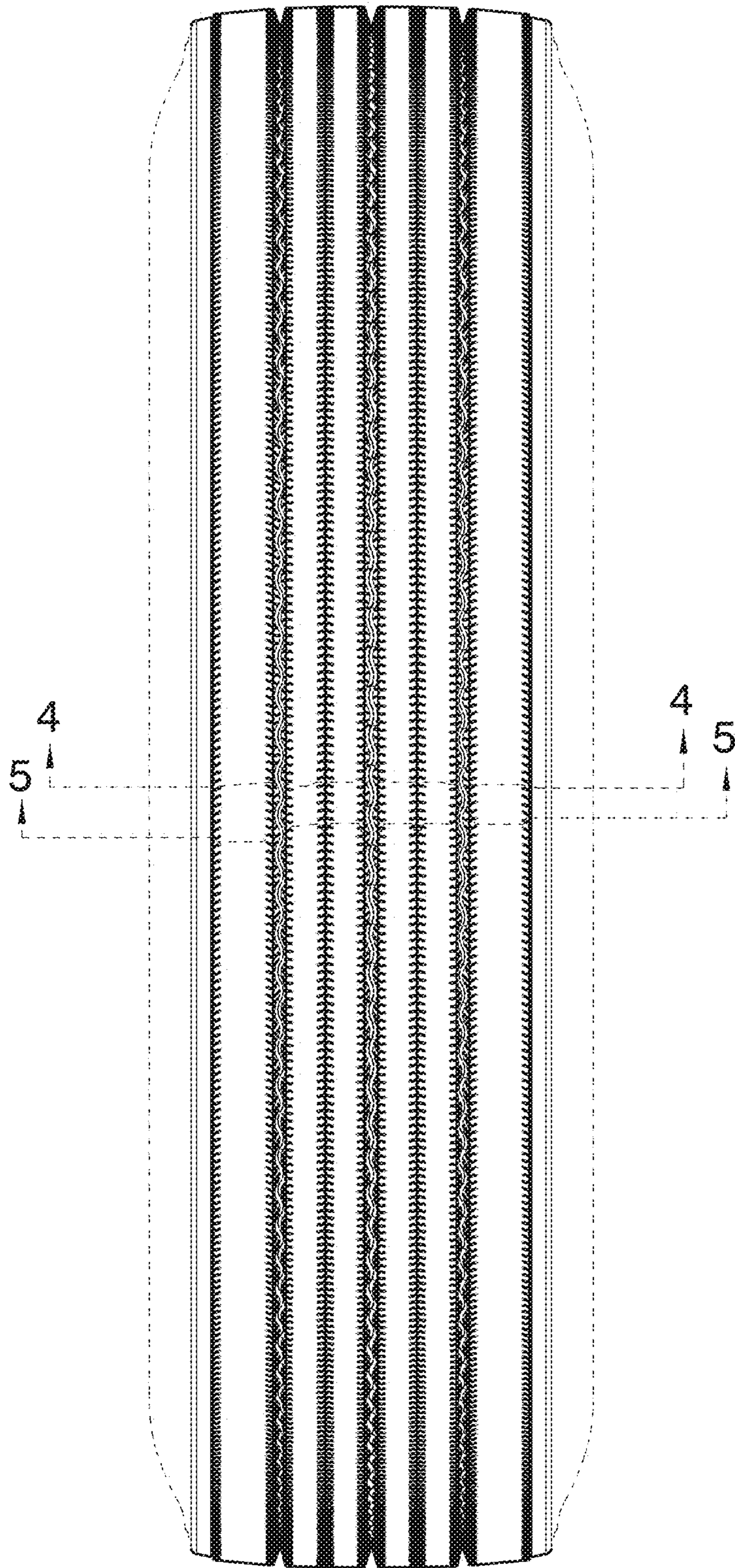


FIG. 2

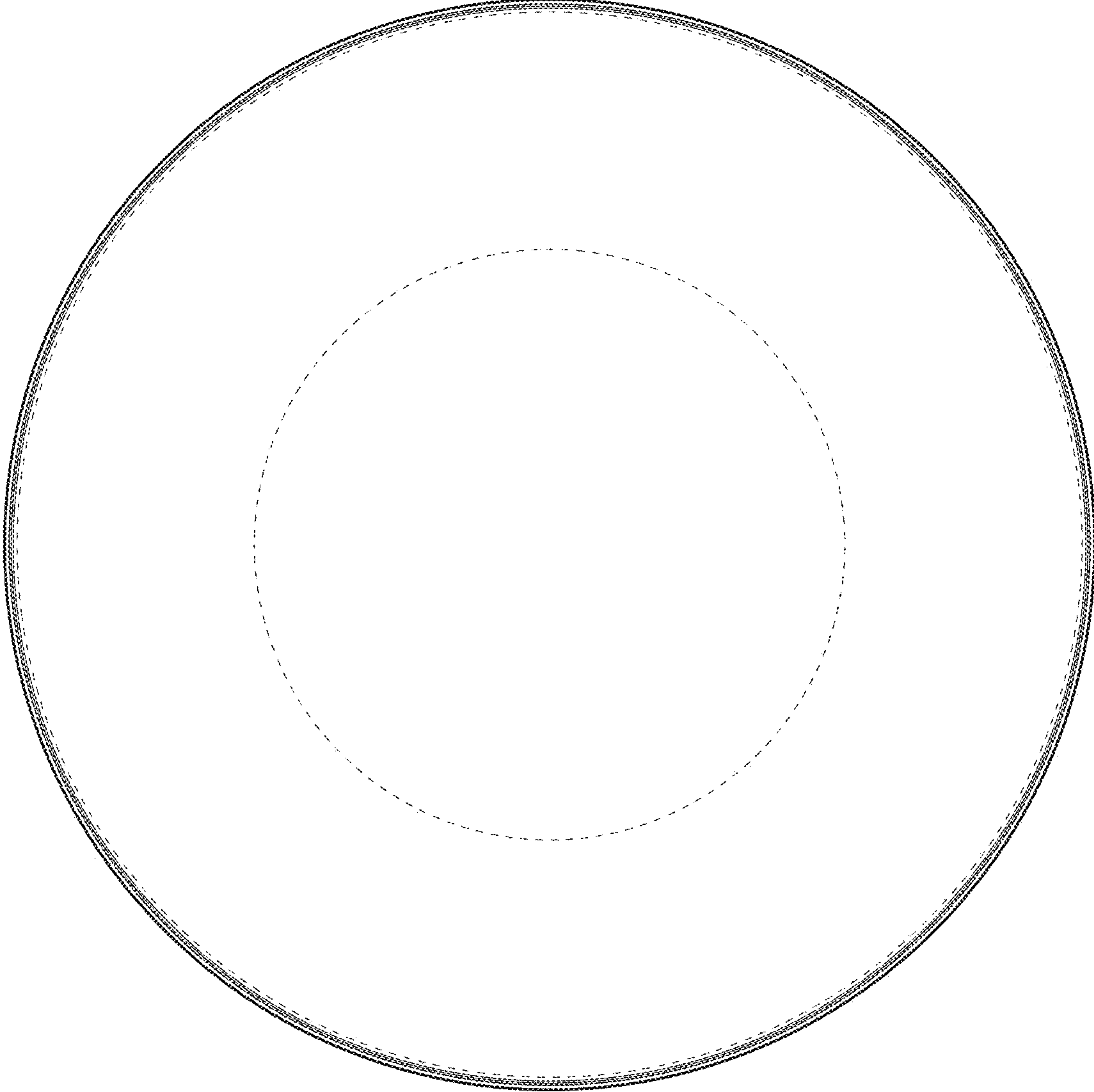


FIG. 3

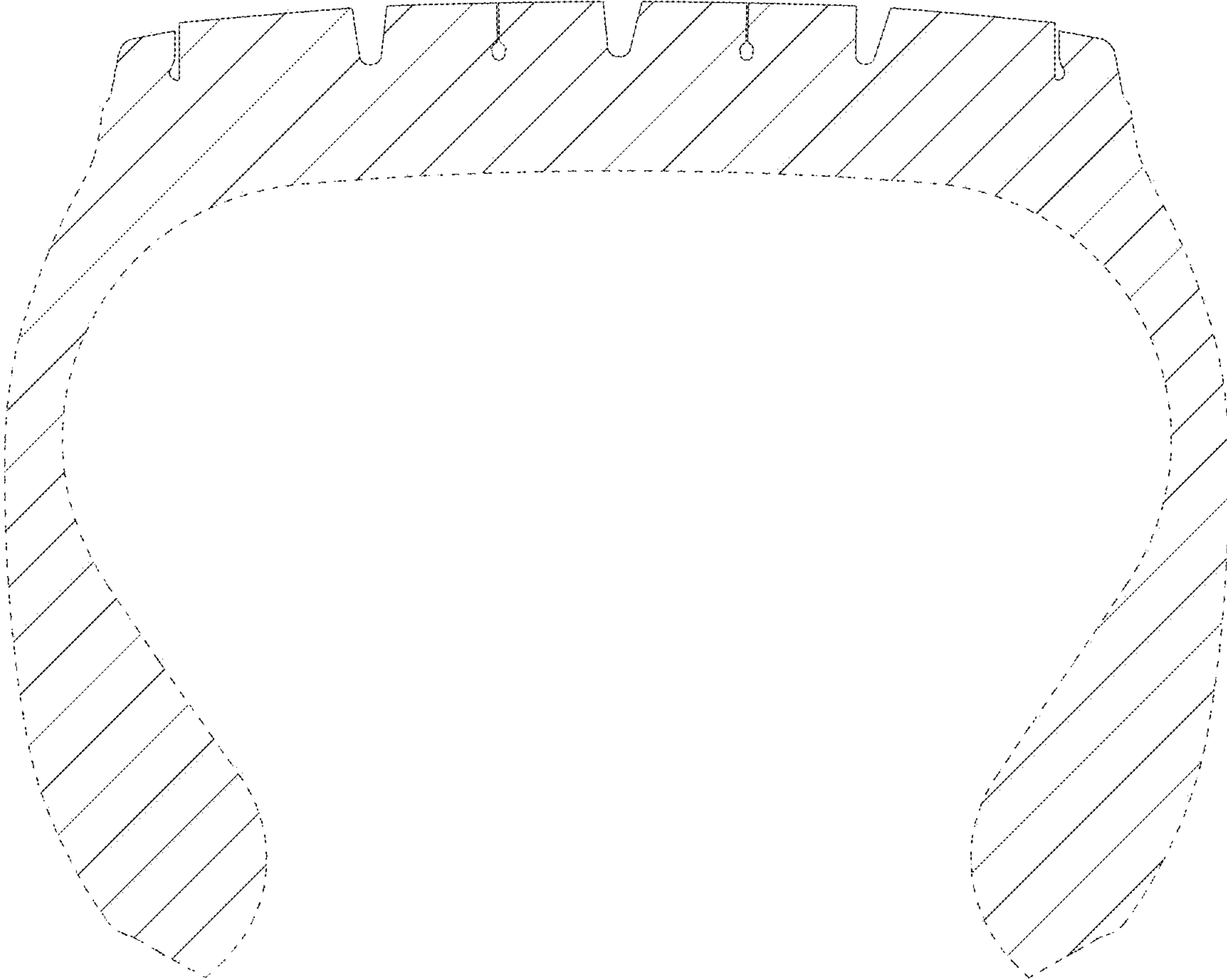


FIG. 4

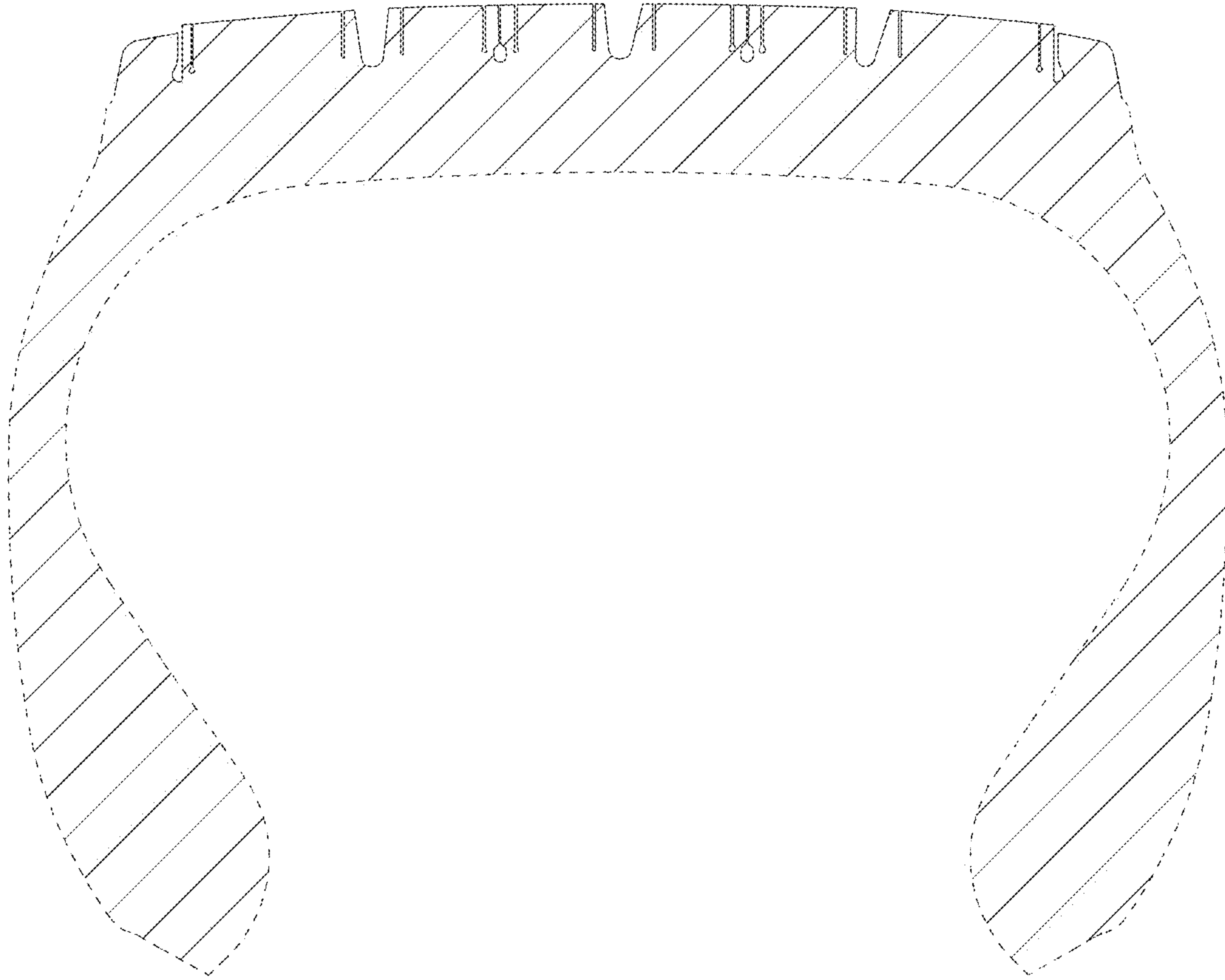


FIG. 5

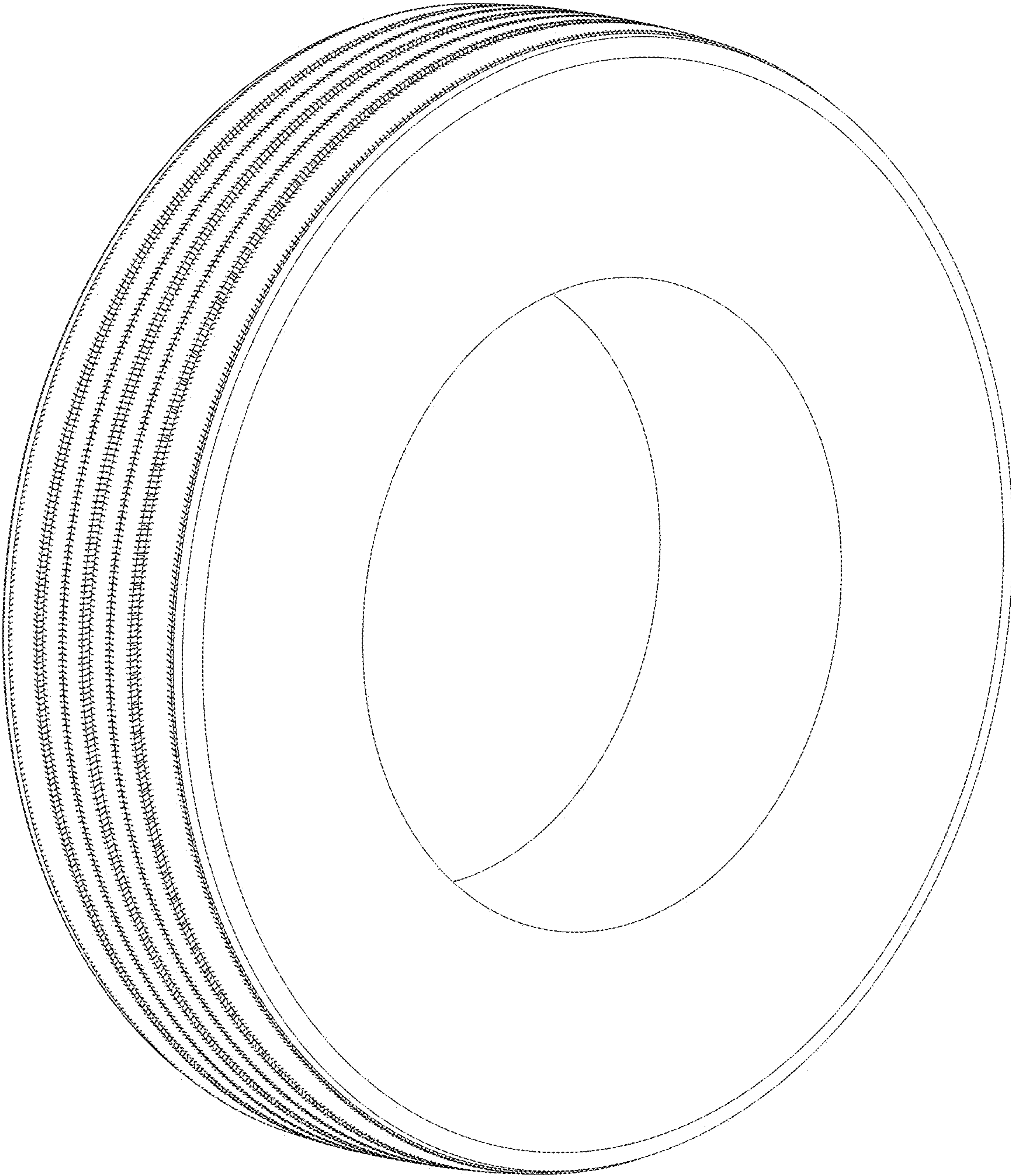


FIG. 6

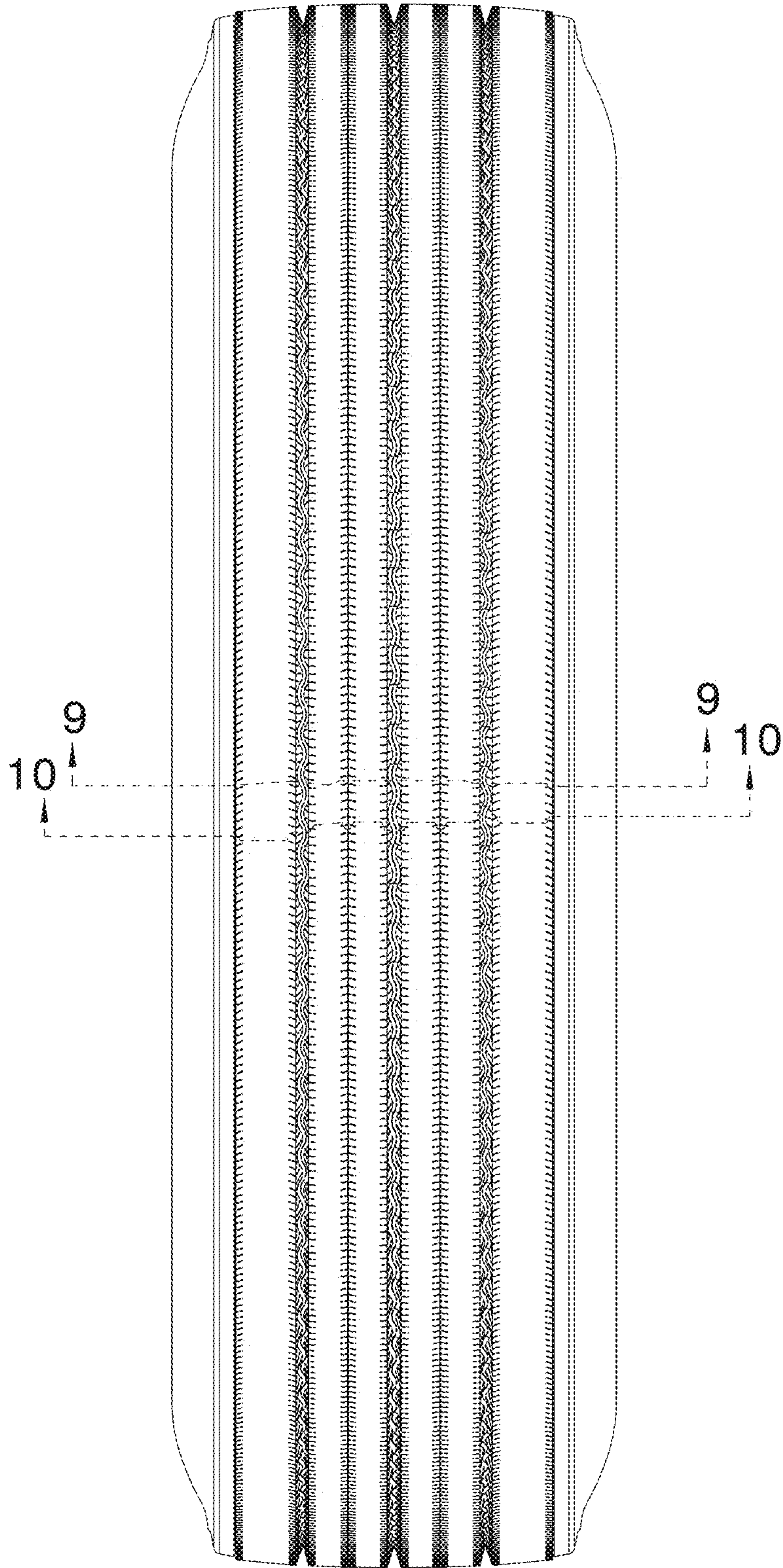


FIG. 7

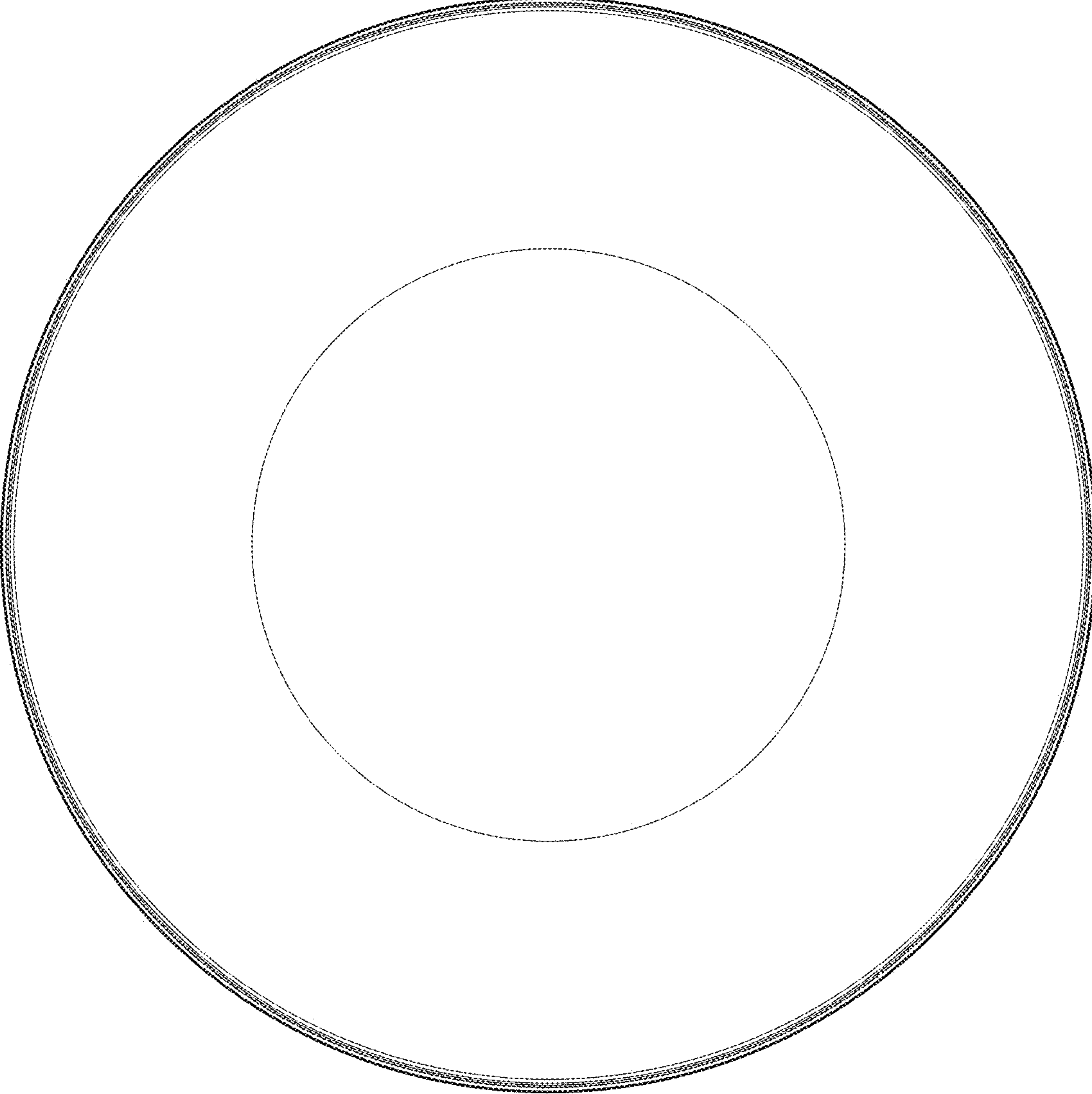


FIG. 8

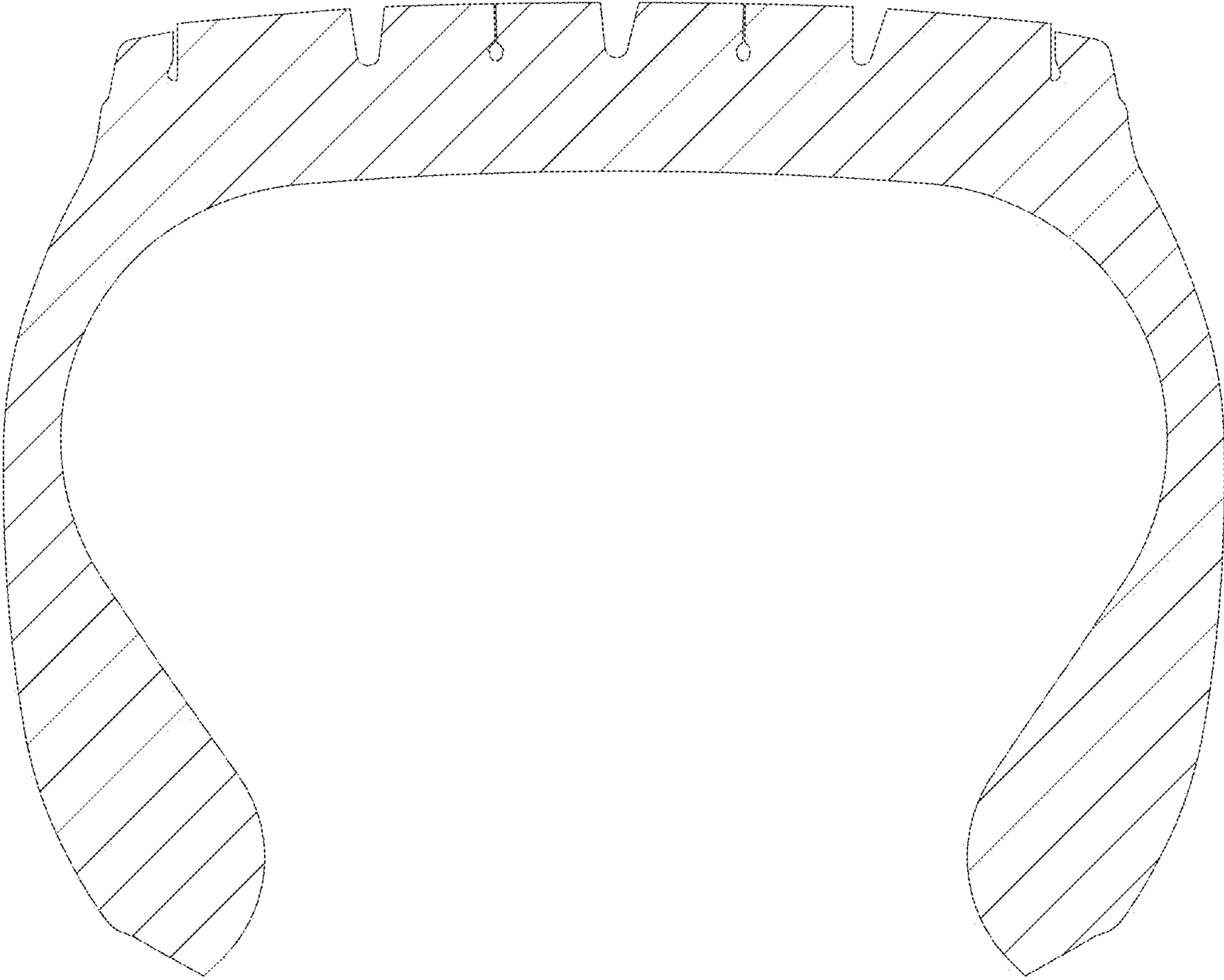


FIG. 9

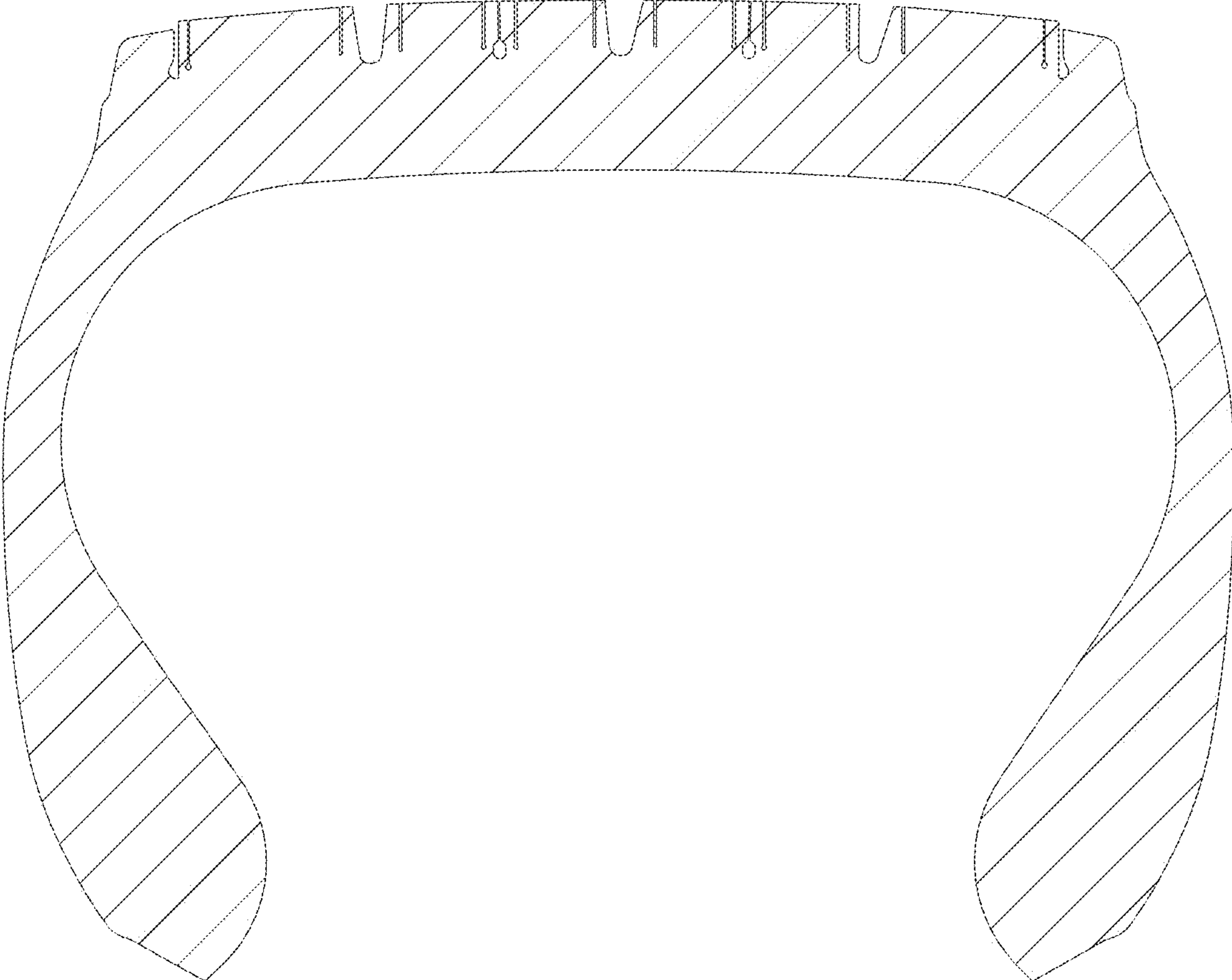


FIG. 10

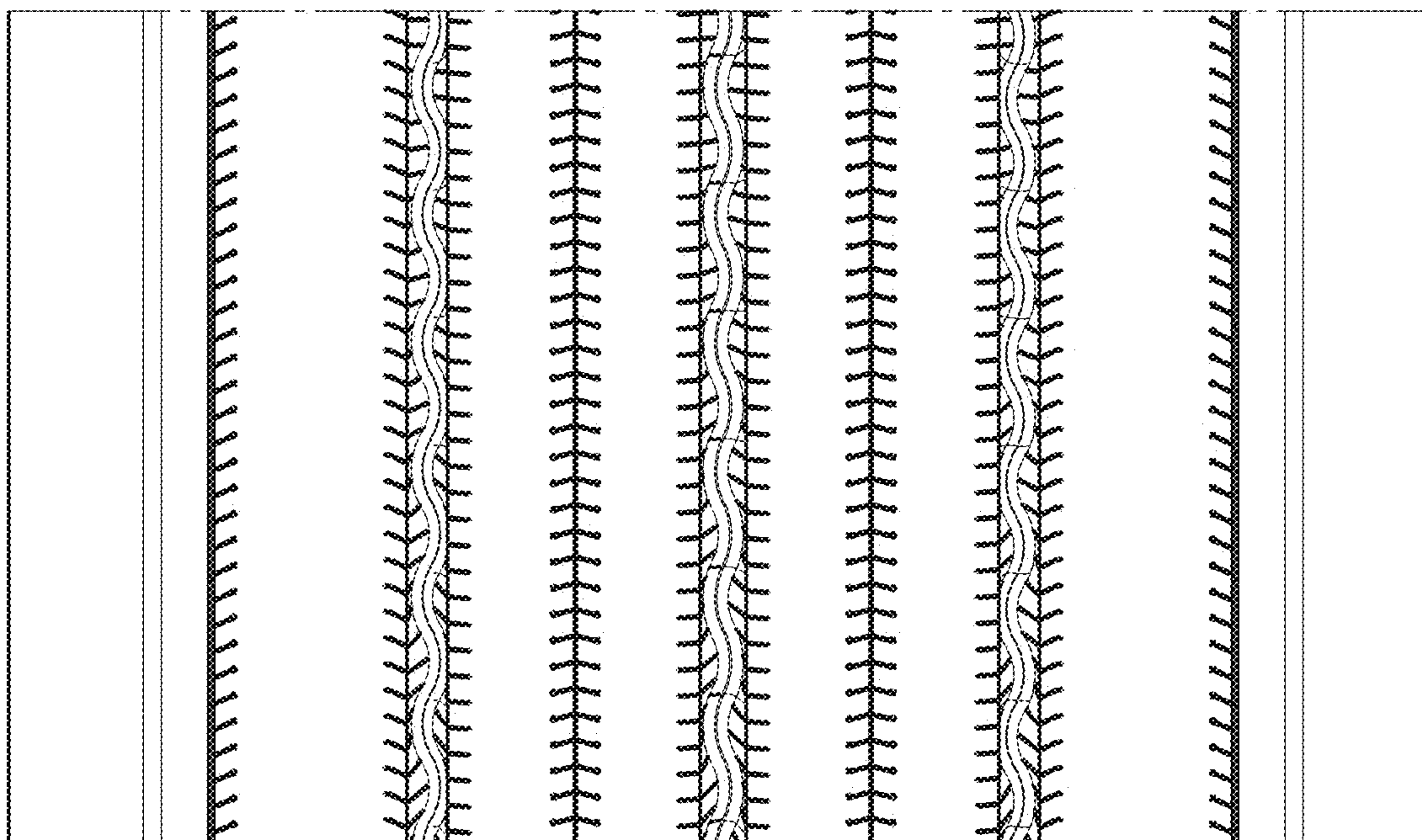


FIG. 11