



US00D900007S

(12) **United States Design Patent**  
**Zhang et al.**

(10) **Patent No.:** **US D900,007 S**  
(45) **Date of Patent:** **\*\* Oct. 27, 2020**

- (54) **ROOF ASSEMBLY FOR AUTOMOBILE**
- (71) Applicant: **GUANGZHOU AUTOMOBILE GROUP CO., LTD.**, Guangzhou, Guangdong (CN)
- (72) Inventors: **Mingyang Zhang**, Guangdong (CN); **Heymin Kim**, Guangdong (CN); **Jonathan Allen Wicks**, Guangdong (CN); **Jiahuan Huang**, Guangdong (CN); **Haitao Qi**, Guangdong (CN)
- (73) Assignee: **GUANGZHOU AUTOMOBILE GROUP CO., LTD.**, Guangzhou (CN)

4,426,112	A *	1/1984	Mori	.....	B60J 7/043
					296/216.05
D282,733	S *	2/1986	Giavazzi	.....	D12/195
D496,618	S *	9/2004	Nakajima	.....	D12/195
D539,212	S *	3/2007	Maezono	.....	D12/418
D580,345	S *	11/2008	Paxton	.....	D12/418
D603,321	S *	11/2009	Kramer	.....	D12/412
8,240,750	B2 *	8/2012	Ludwig	.....	B60H 1/245
					296/208
D688,179	S *	8/2013	Ali	.....	D12/195
D826,831	S *	8/2018	Eck	.....	D12/222
D826,839	S *	8/2018	Trim	.....	D12/415
D833,937	S *	11/2018	Ding	.....	D12/195
D847,724	S *	5/2019	Sprowl	.....	D12/401
D862,368	S *	10/2019	Song	.....	D12/418
D864,310	S *	10/2019	Jens Christensen	.....	D21/562
D885,302	S *	5/2020	Sprowl	.....	D12/401
D891,356	S *	7/2020	Sprowl	.....	D12/401

(\*\*) Term: **15 Years**

(21) Appl. No.: **29/695,871**

(22) Filed: **Jun. 23, 2019**

(30) **Foreign Application Priority Data**

Dec. 29, 2018 (CN) ..... 2018 3 0772431

(51) **LOC (12) Cl.** ..... **12-16**

(52) **U.S. Cl.**  
USPC ..... **D12/418**

(58) **Field of Classification Search**  
USPC ..... D12/401-414, 414.1, 418, 86-92,  
D12/163-172, 415, 400, 195, 190;  
D21/561, 495; D6/552; 296/37.1-37.8,  
296/70, 24.3; 224/311, 539; 180/90;  
439/34  
CPC ..... B60R 19/18; B60R 19/24; B60R 19/44;  
B60R 19/48; B60R 19/56; B60R  
2019/527; B60R 2019/1886; B62D  
25/0845

See application file for complete search history.

(56) **References Cited**

**U.S. PATENT DOCUMENTS**

D262,365	S *	12/1981	Butler	.....	D12/404
4,326,655	A *	4/1982	Gradek	.....	B60R 9/12
					224/324

(Continued)

*Primary Examiner* — T Chase Nelson

*Assistant Examiner* — Jonathan J. Han

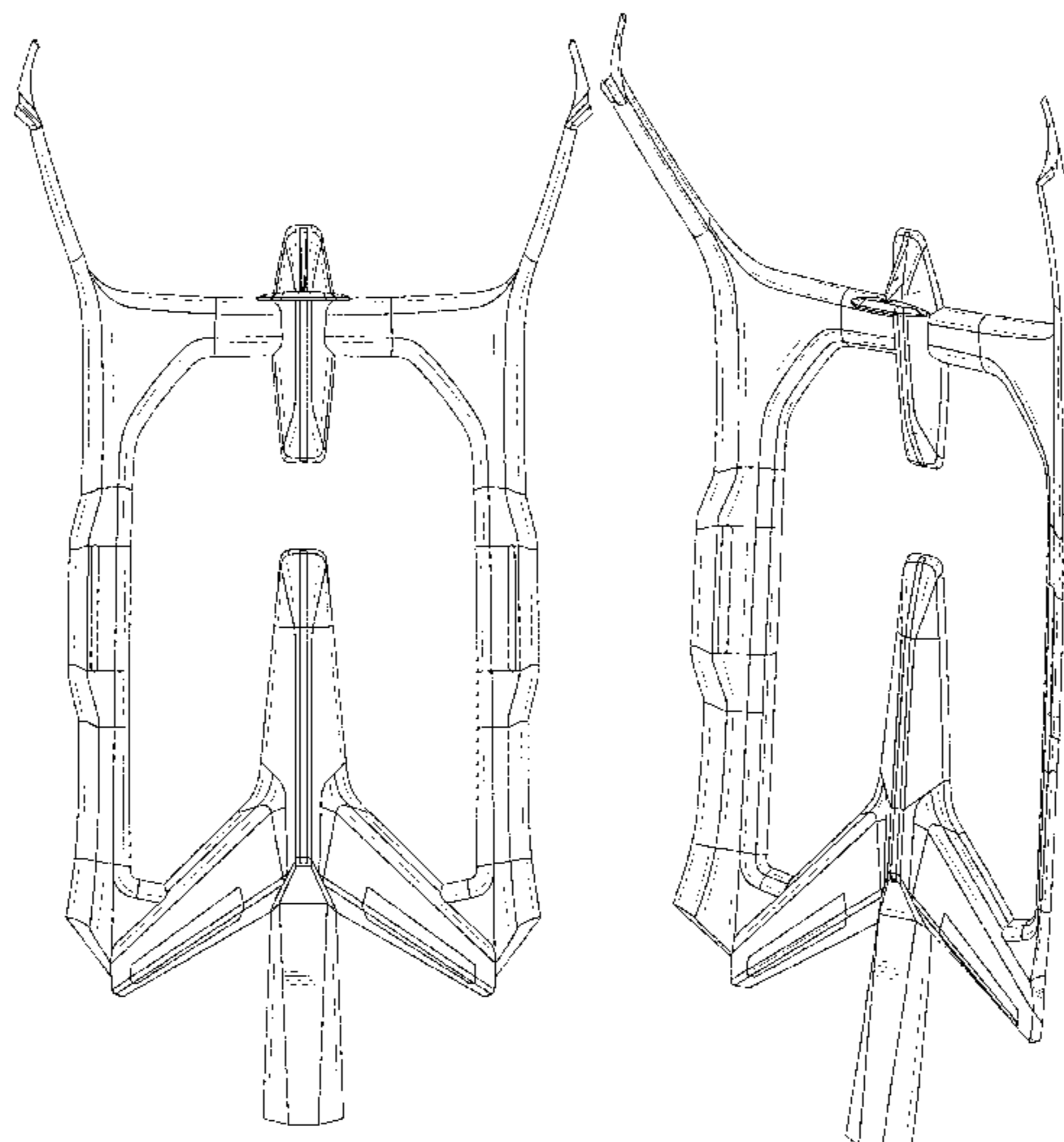
(57) **CLAIM**

The ornamental design for a roof assembly for automobile, as shown and described.

**DESCRIPTION**

FIG. 1 is a front elevational view of a roof assembly for automobile showing our new design; FIG. 2 is a left side view thereof; FIG. 3 is a right side view thereof; FIG. 4 is a top plan view thereof; FIG. 5 is a bottom plan view thereof; and, FIG. 6 is a front, top and right side perspective view thereof. The broken lines in the drawings illustrate portions of the roof assembly for automobile which form no part of the claimed design.

**1 Claim, 4 Drawing Sheets**



(56)

**References Cited**

U.S. PATENT DOCUMENTS

2007/0205636 A1\* 9/2007 Gonzalez Merino .... B60J 7/003  
296/214  
2008/0061604 A1\* 3/2008 Tiesler ..... B60H 1/0055  
296/214  
2014/0265456 A1\* 9/2014 Huelke ..... B60R 13/0206  
296/214

\* cited by examiner

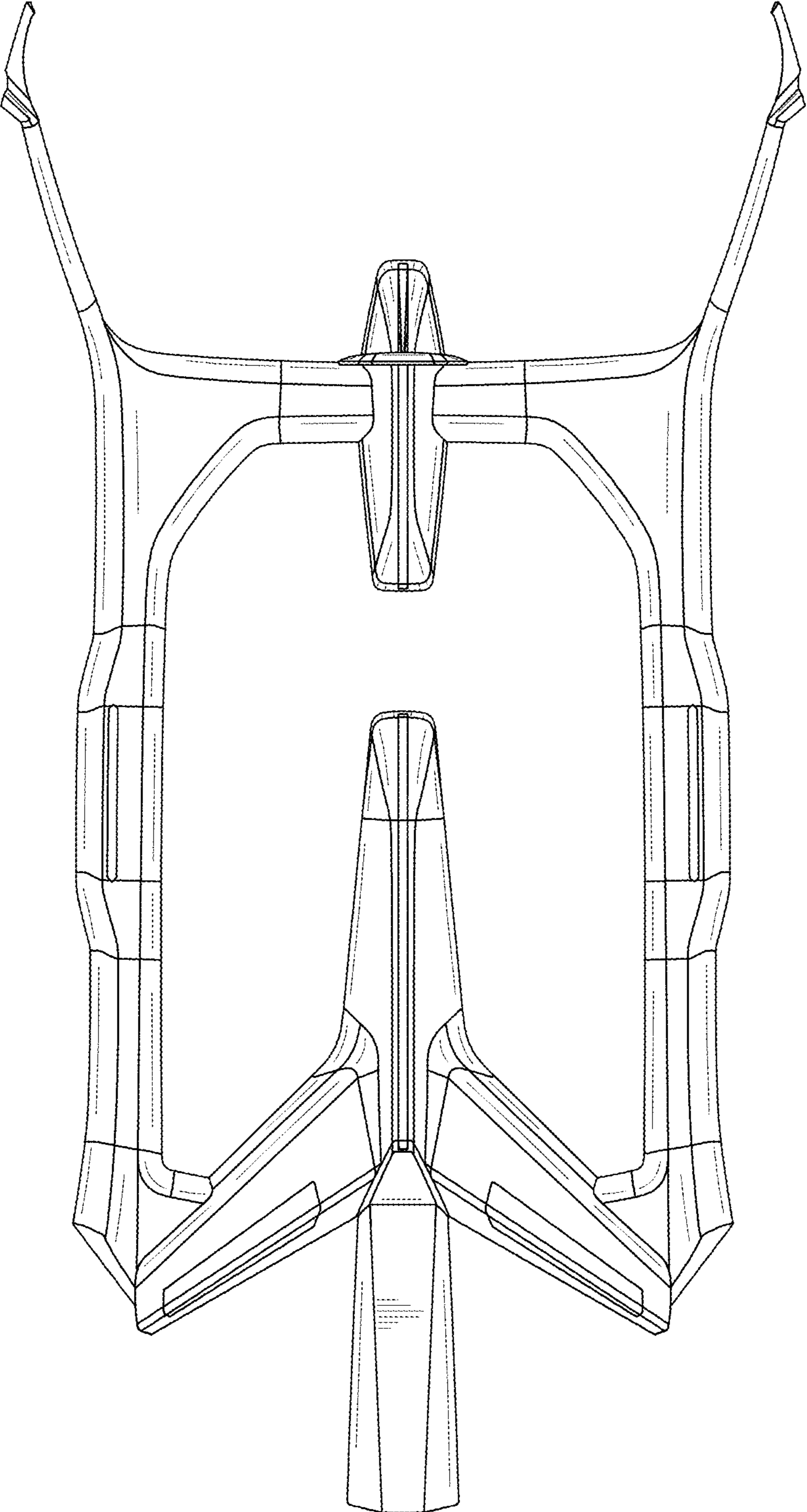


FIG. 1

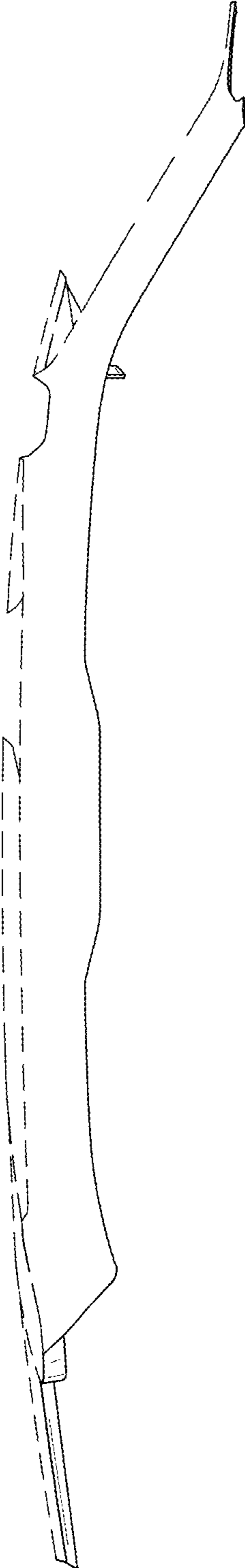


FIG. 2

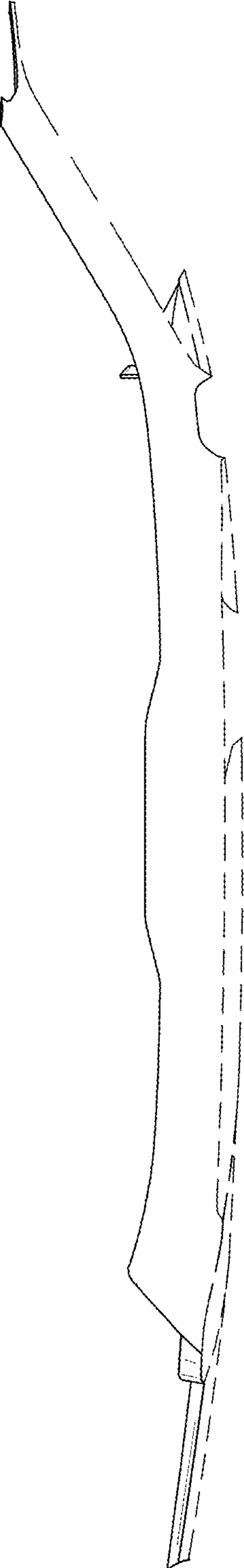


FIG. 3

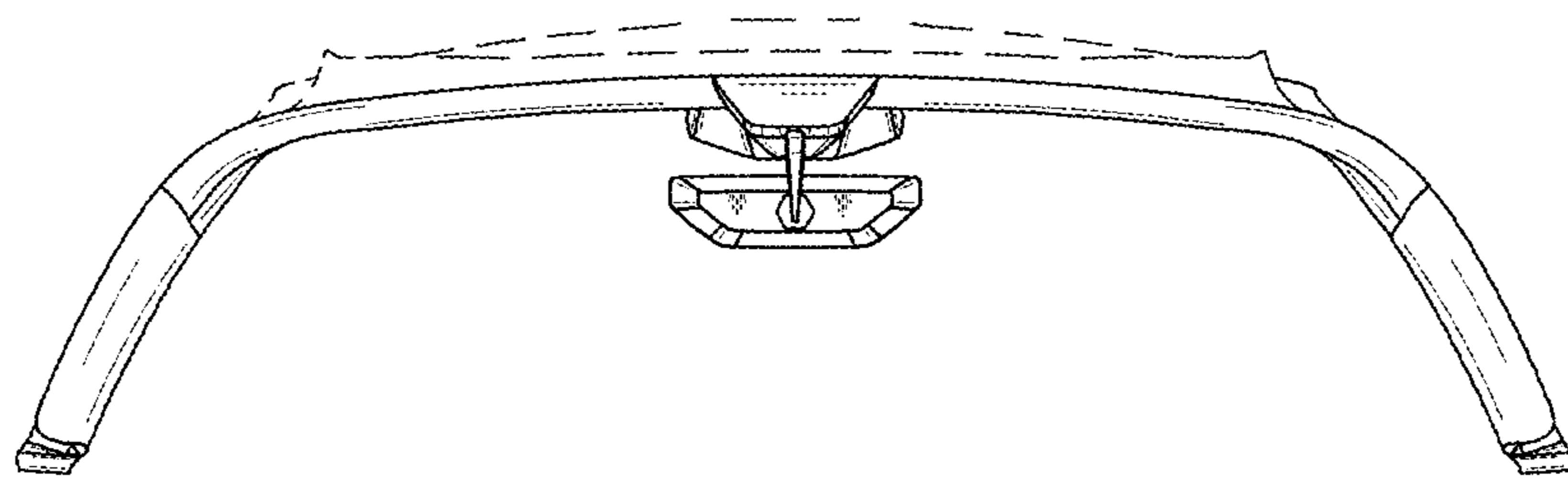


FIG. 4

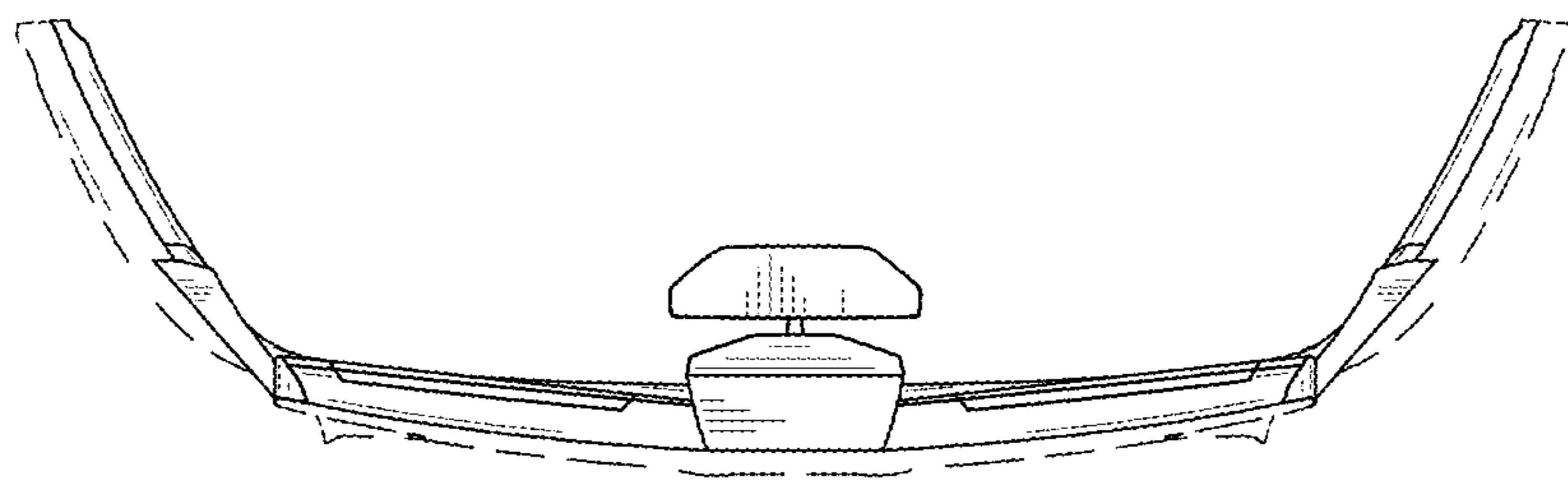


FIG. 5

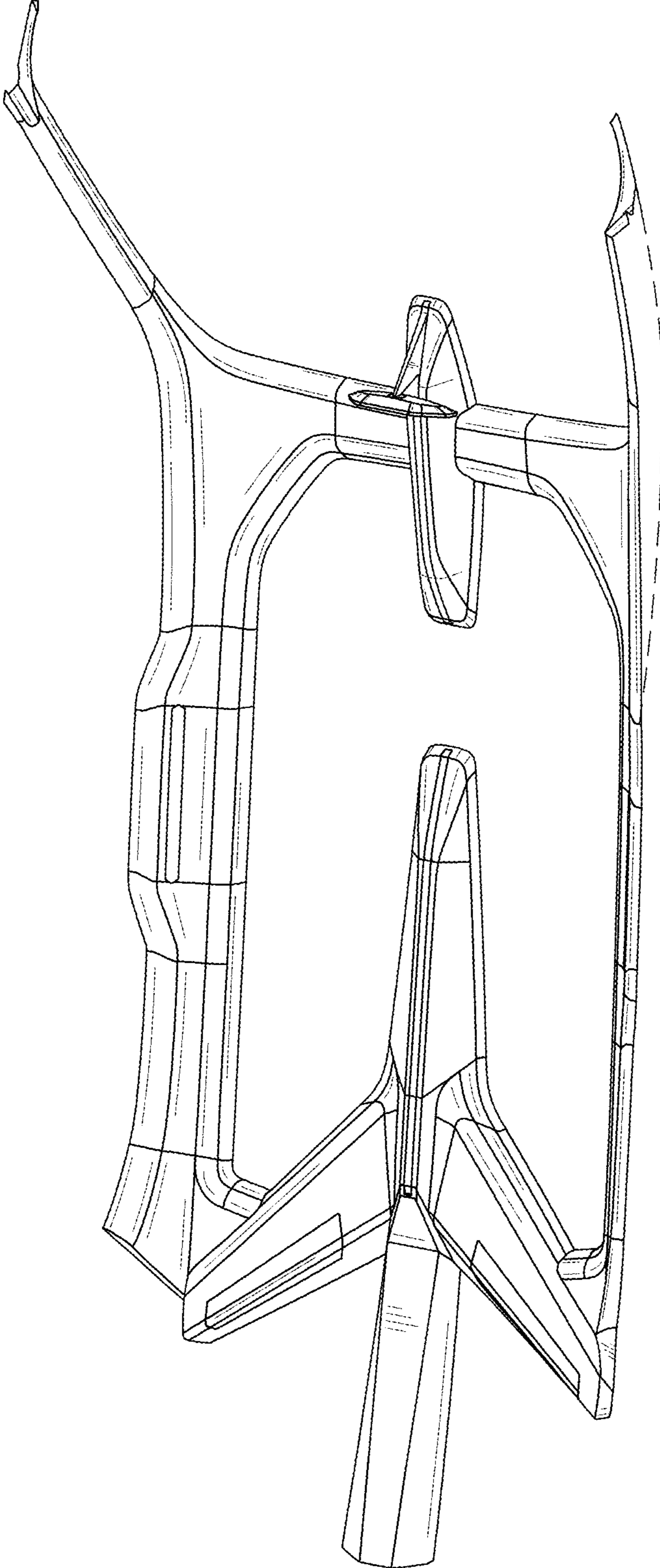


FIG.6