



US00D900006S

(12) **United States Design Patent**  
**Fontaeus et al.**

(10) **Patent No.:** **US D900,006 S**

(45) **Date of Patent:** **\*\* Oct. 27, 2020**

(54) **CURVED DISPLAY**

(71) Applicant: **GUANGZHOU AUTOMOBILE GROUP CO., LTD.**, Guangzhou, Guangdong (CN)

(72) Inventors: **Joan Pontus Anthony Fontaeus**, Guangdong (CN); **Zhuoyu Lu**, Guangdong (CN); **Mingyang Zhang**, Guangdong (CN); **Dieudonne Achille Kabongo**, Guangdong (CN); **Jonathan Allen Wicks**, Guangdong (CN); **Xiaojian Tang**, Guangdong (CN)

(73) Assignee: **GUANGZHOU AUTOMOBILE GROUP CO., LTD.**, Guangzhou (CN)

(\*\*) Term: **15 Years**

(21) Appl. No.: **29/695,861**

(22) Filed: **Jun. 23, 2019**

(30) **Foreign Application Priority Data**

Dec. 29, 2018 (CN) ..... 2018 3 0772530

(51) **LOC (12) Cl.** ..... **12-16**

(52) **U.S. Cl.**  
USPC ..... **D12/418**

(58) **Field of Classification Search**  
USPC ..... D12/415-420, 400, 195, 191, 106, 345, D12/96, 99, 192, 110, 114; D14/157, D14/485, 489, 492, 488, 490; 296/70, 296/24.3, 37.18; D15/17, 28; D23/324; D10/46, 98, 102-103, 122-127  
CPC .... B60R 7/04; B60R 7/06; B60R 7/08; B60R 2300/20; B60R 2300/205; B60R 2300/207; B60K 37/00; B60K 37/02; B60K 37/04; B60K 37/06  
See application file for complete search history.

(56) **References Cited**

**U.S. PATENT DOCUMENTS**

D394,432 S \* 5/1998 Rosen ..... D14/132  
D399,200 S \* 10/1998 Rosen ..... D14/132

D399,503 S \* 10/1998 Rosen ..... D14/132  
D446,507 S \* 8/2001 Rosen ..... D14/132  
D447,125 S \* 8/2001 Lavelle ..... D14/126  
D453,325 S \* 2/2002 Okada ..... D14/132  
D456,371 S \* 4/2002 Lavelle ..... D14/126  
D467,234 S \* 12/2002 Scribner ..... D14/132  
D489,044 S \* 4/2004 Bremenkamp ..... D14/132

(Continued)

**OTHER PUBLICATIONS**

17 innovative features in Fiat Chrysler's new electric minivan concept, BusinessInsider.com, Danielle Muoio, Jan. 3, 2017, 6:19 PM, [online], [site visited Jul. 30, 2020]. <URL: https://www.businessinsider.com/flat-chrysler-minivan-concept-car-ces-2017-photos-features-2017-1> (Year: 2017).\*

(Continued)

*Primary Examiner* — T Chase Nelson  
*Assistant Examiner* — Jonathan J. Han

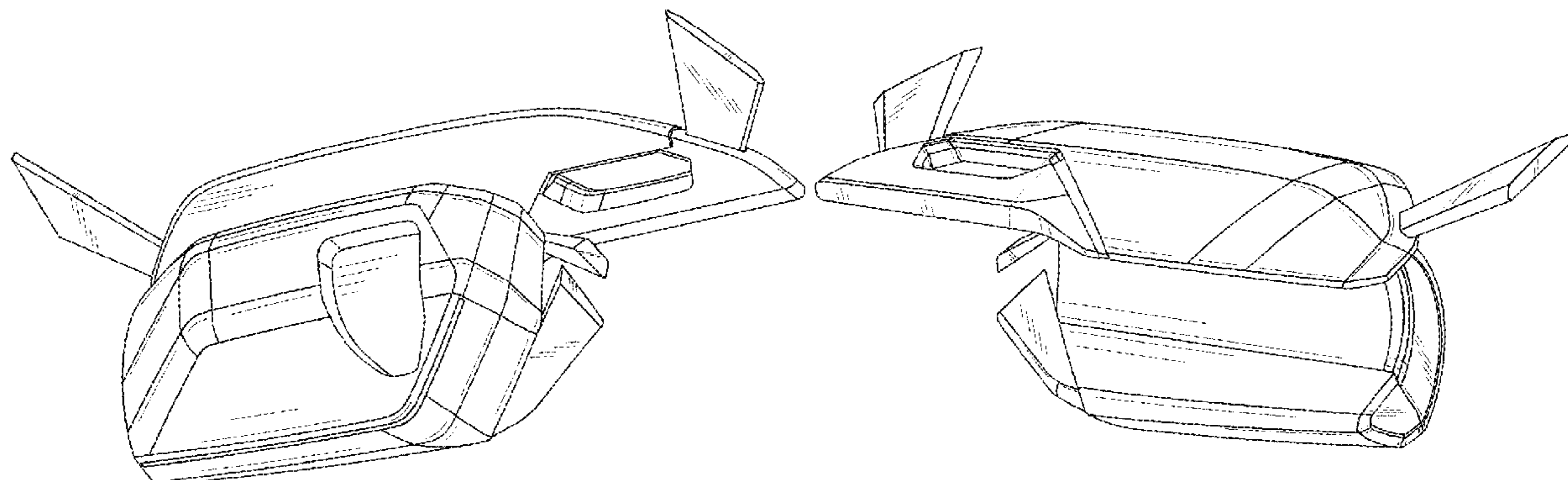
(57) **CLAIM**

The ornamental design for a curved display, as shown and described.

**DESCRIPTION**

FIG. 1 is a front elevational view of a curved display showing our new design;  
FIG. 2 is a rear elevational view thereof;  
FIG. 3 is a left side view thereof;  
FIG. 4 is a right side view thereof;  
FIG. 5 is a top plan view thereof;  
FIG. 6 is a bottom plan view thereof;  
FIG. 7 is a bottom, rear and left side perspective view thereof; and,  
FIG. 8 is a top, front and right side perspective view thereof.

**1 Claim, 3 Drawing Sheets**



(56)

References Cited

U.S. PATENT DOCUMENTS

D512,973 S \* 12/2005 Schedivy ..... D14/132  
 D569,784 S \* 5/2008 Vitto ..... D12/418  
 D571,700 S \* 6/2008 Laurent ..... D12/192  
 D603,775 S \* 11/2009 Longpre ..... D12/192  
 D685,397 S \* 7/2013 Anderson ..... D15/28  
 D685,398 S \* 7/2013 Graham ..... D15/28  
 D704,113 S \* 5/2014 Bose ..... D12/192  
 D795,162 S \* 8/2017 Kwon ..... D12/400  
 D813,770 S \* 3/2018 Einakian ..... D12/192  
 D821,290 S \* 6/2018 Jung ..... D12/415  
 D821,291 S \* 6/2018 Jung ..... D12/415  
 D858,618 S \* 9/2019 Roth ..... D16/242  
 D862,368 S \* 10/2019 Song ..... D12/418  
 D866,450 S \* 11/2019 Ma ..... D12/415  
 D873,898 S \* 1/2020 Roth ..... D16/242  
 D877,047 S \* 3/2020 Leinberger ..... D12/424  
 D877,636 S \* 3/2020 Haag ..... D10/98

D877,637 S \* 3/2020 Haag ..... D10/98  
 D883,184 S \* 5/2020 Toddenroth ..... D12/418  
 D885,222 S \* 5/2020 Haag ..... D10/98  
 D885,278 S \* 5/2020 Jeon ..... D12/192

OTHER PUBLICATIONS

New Car Roof Mount Display Flip Down Monitor Overhead Player HD 1080P Video Player Wide LCD Screen Display with FM Transmit USB SD AV Input, Amazon.com, [online], [site visited Jul. 30, 2020]. <URL: <https://www.amazon.com/Display-Monitor-Overhead-Player-Transmit/dp/B01GHJCO4C>> (Year: 2020).\*

Android 8.1 Car Overhead Flip Down Monitor 15.6 inch with WiFi, Smart 1080P Ceiling Video Player IPS LCD Screen Roof Mount TV Built-in Stereo Speaker, Support Bluetooth, FM, Hdmi in, USB, AV in, idAuto.com, [online], [site visited Jul. 30, 2020]. <URL: <https://www.iddauto.com/product/android-8-1-car>> (Year: 2020).\*

\* cited by examiner

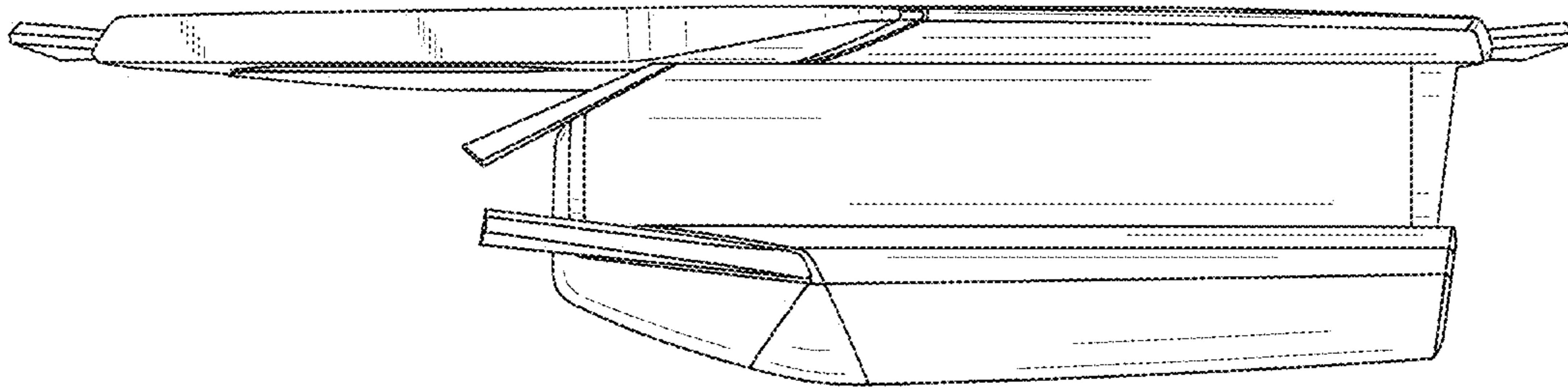


FIG. 1

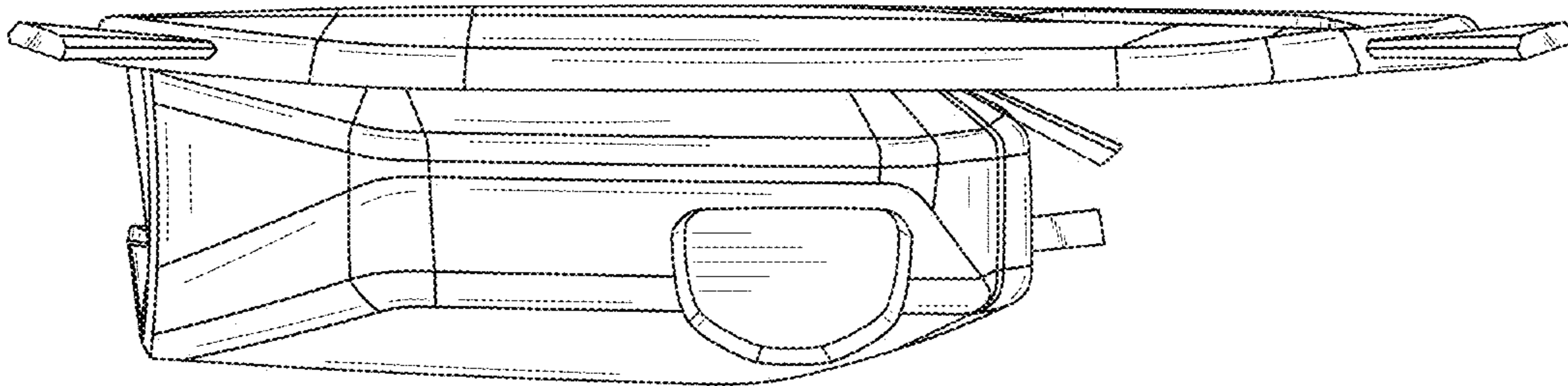


FIG. 2

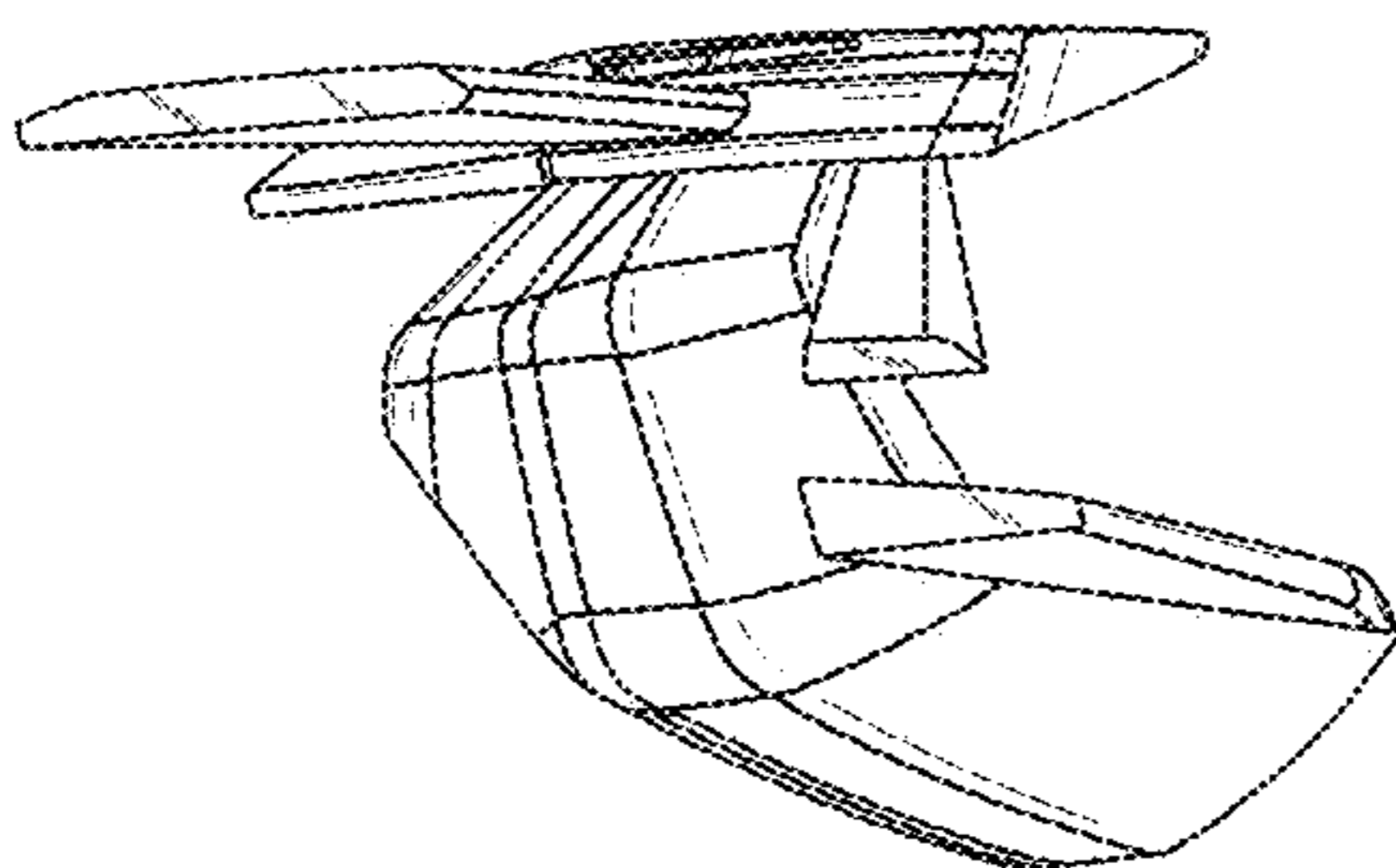


FIG. 3

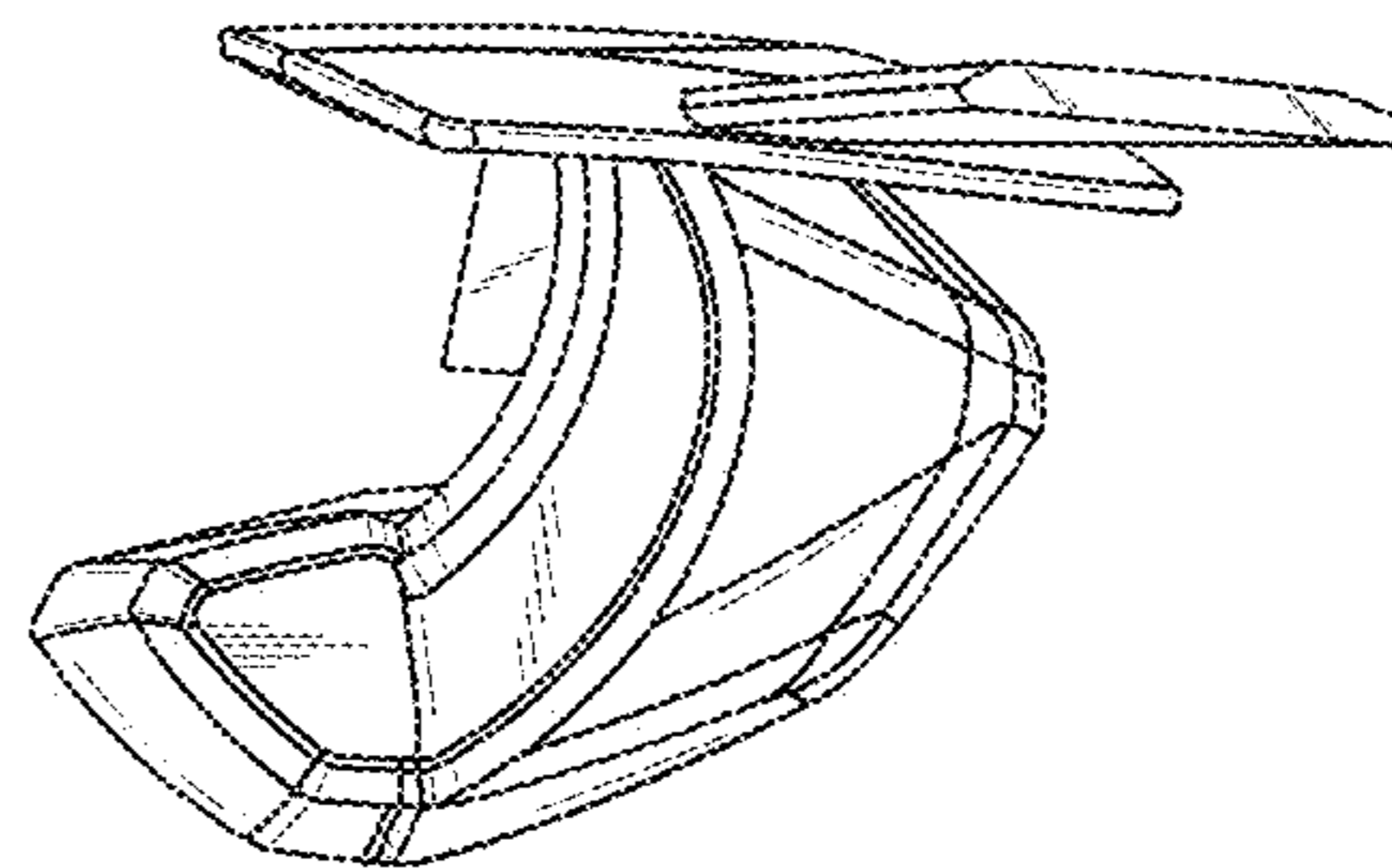


FIG. 4

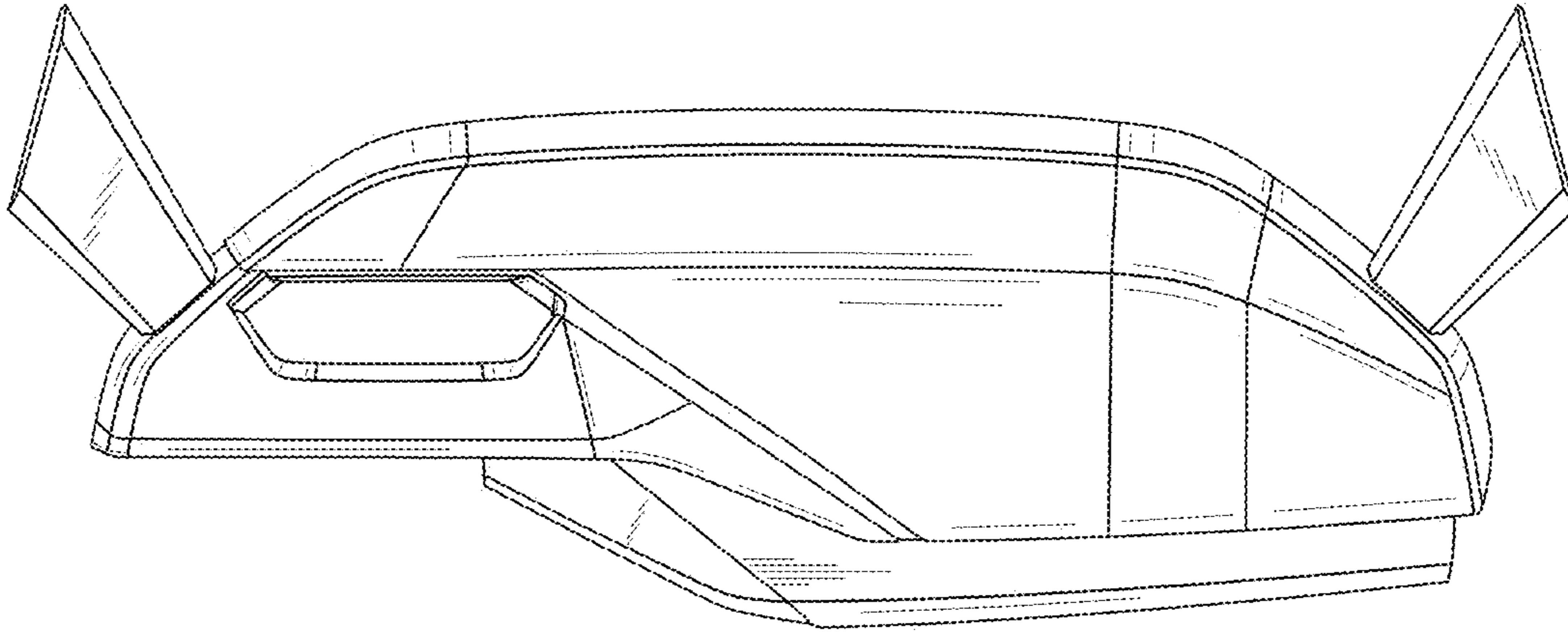


FIG. 5

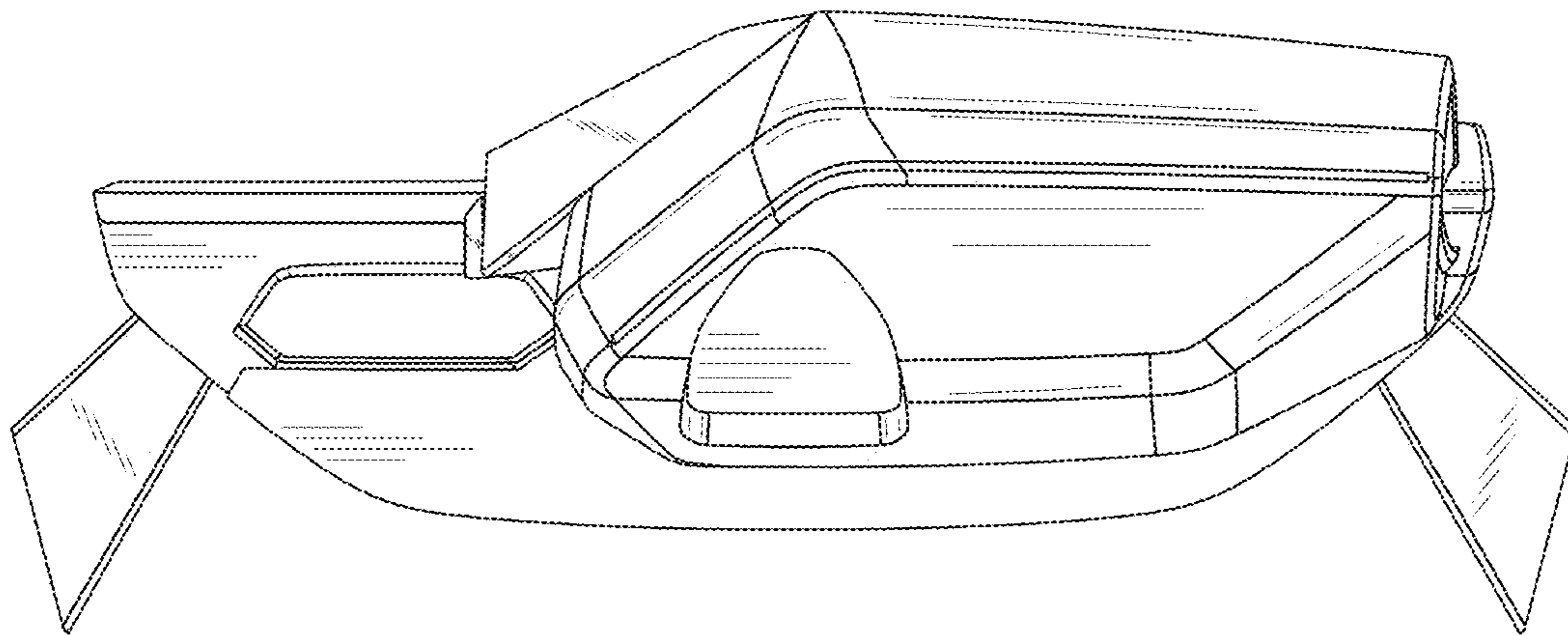


FIG. 6

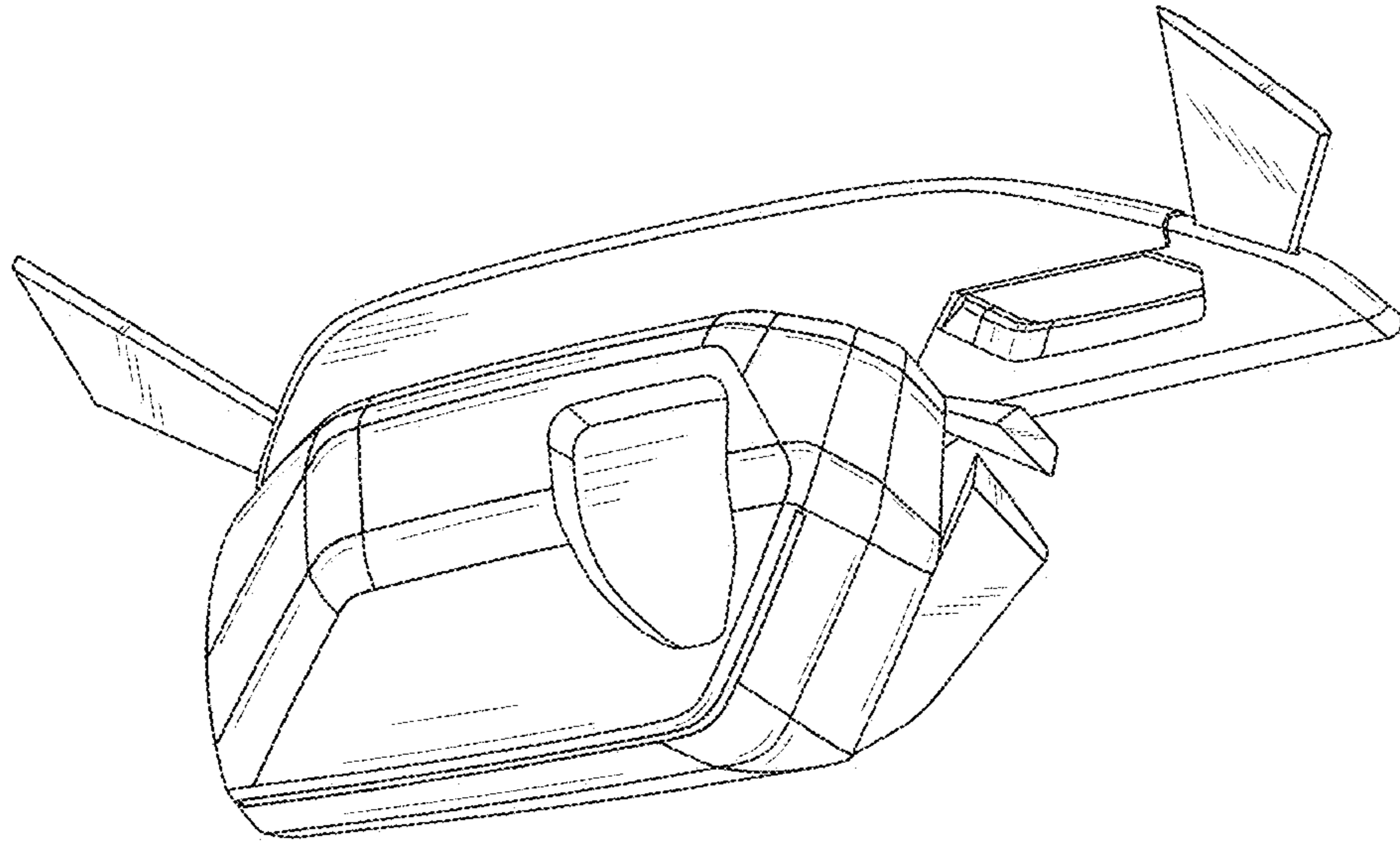


FIG. 7

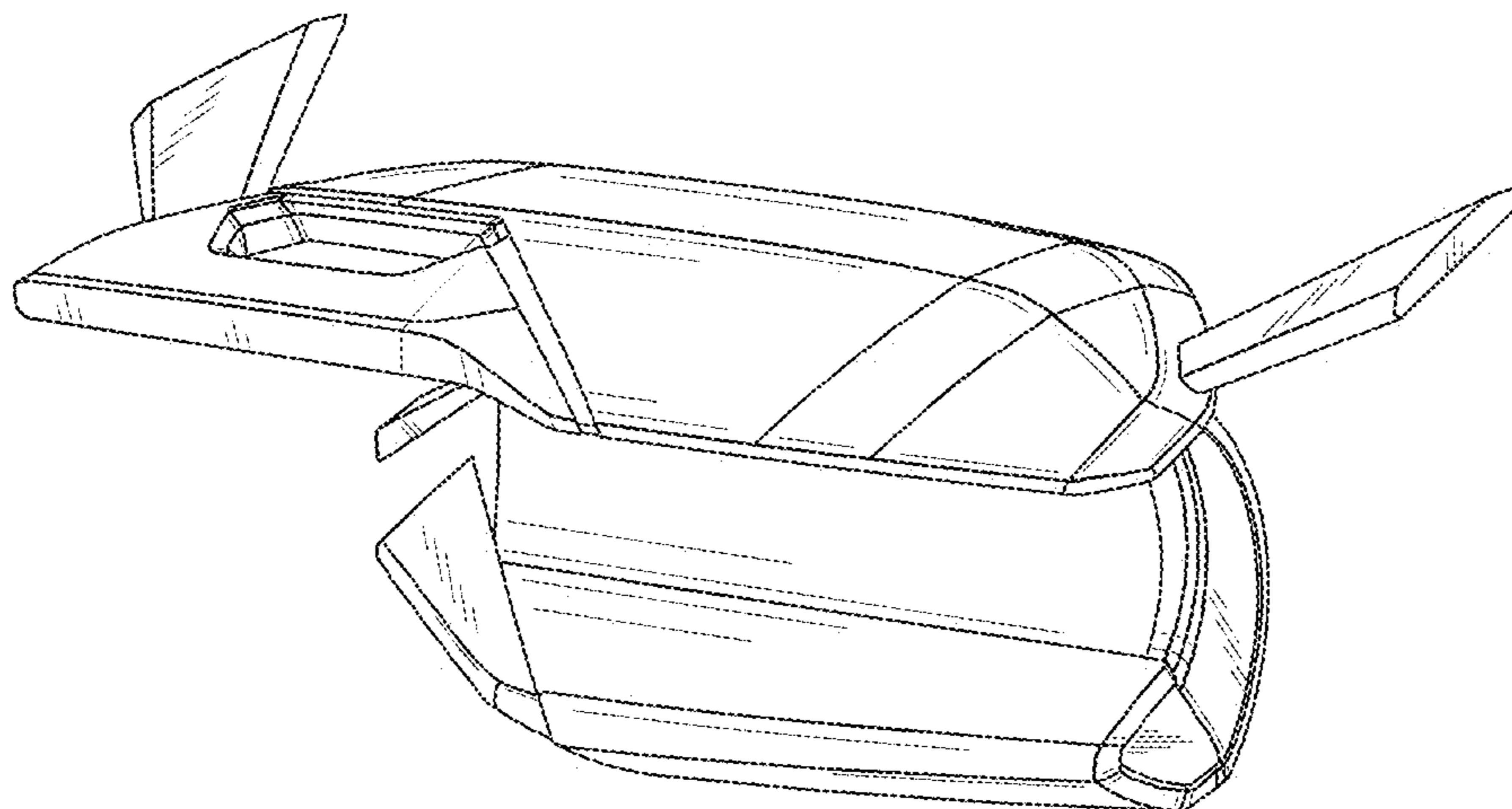


FIG. 8